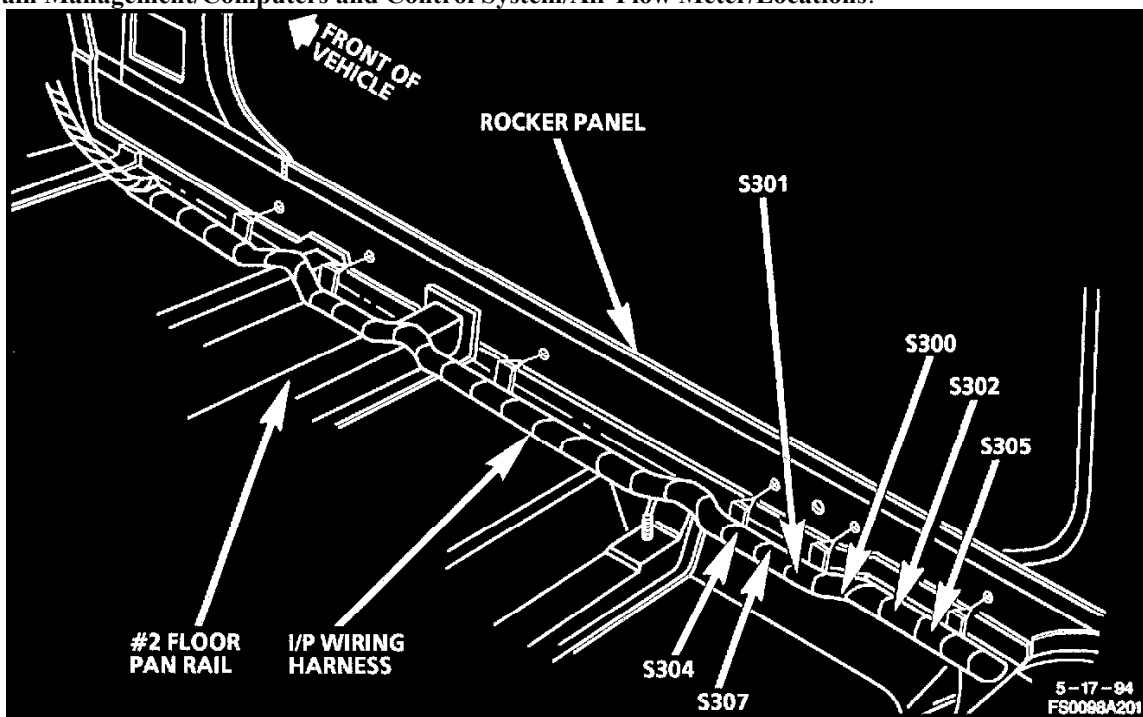


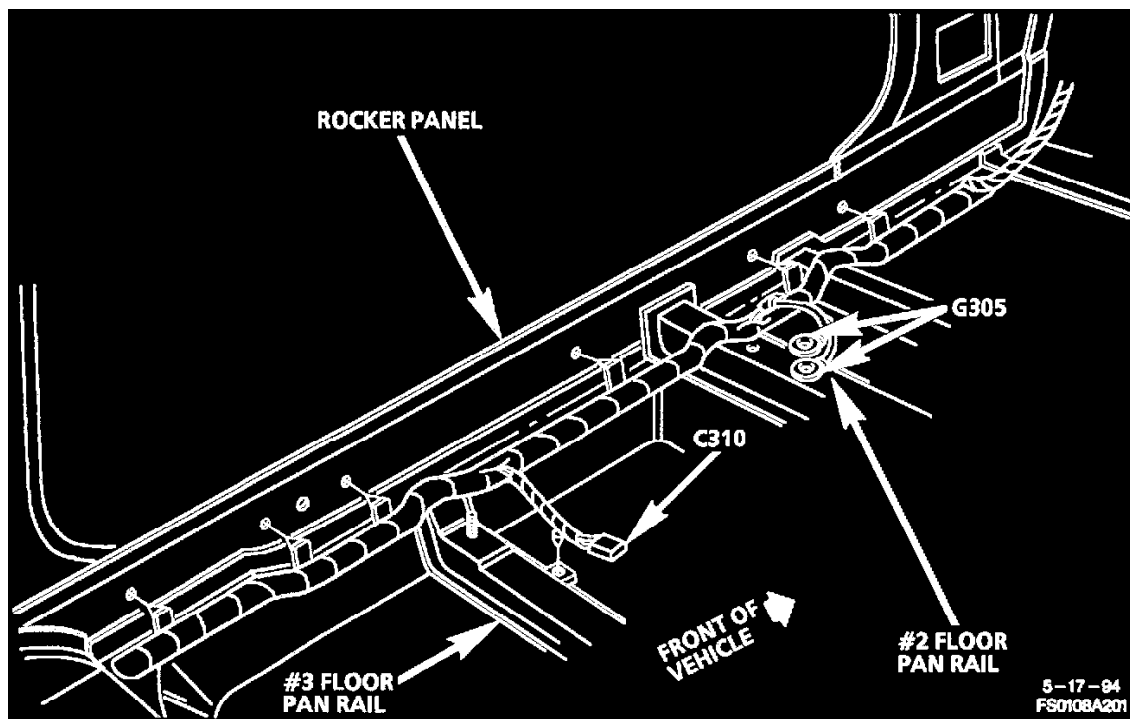
# Vehicle: Component Locations

## Additional Information

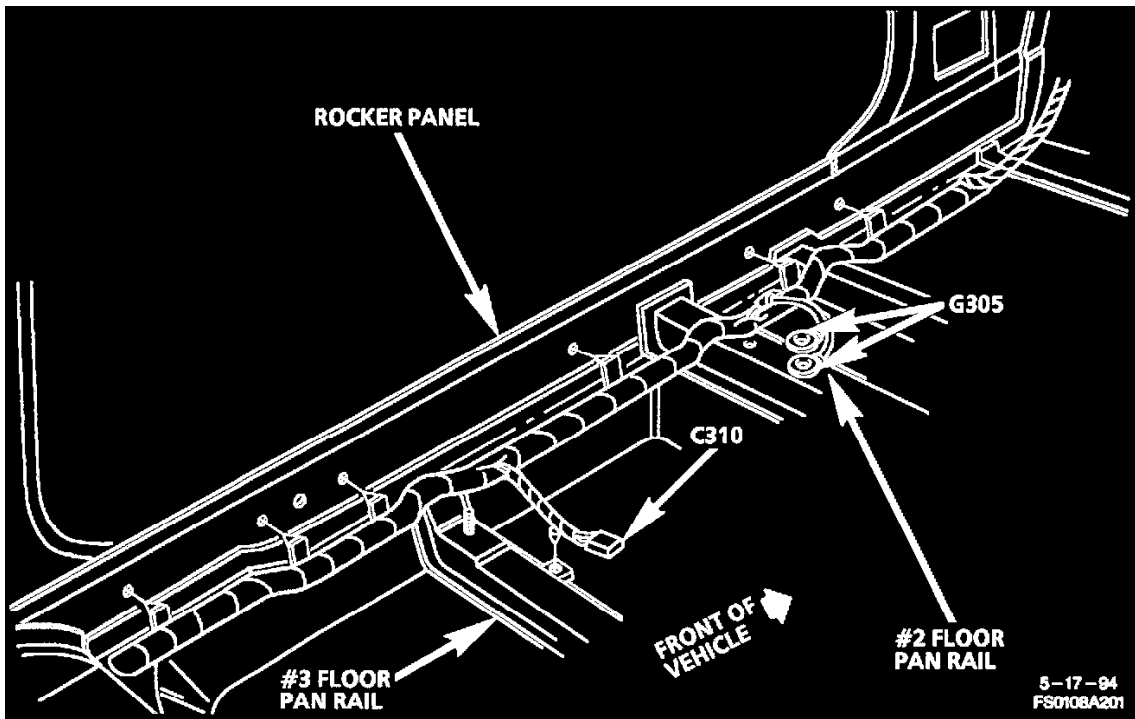
If the component you are looking for is not listed here, please refer to **System** or **Sub-Assembly Locations**. Example: If Air Flow Meter is not found here, refer to **Powertrain Management/Computers and Control System/Air Flow Meter/Locations**.



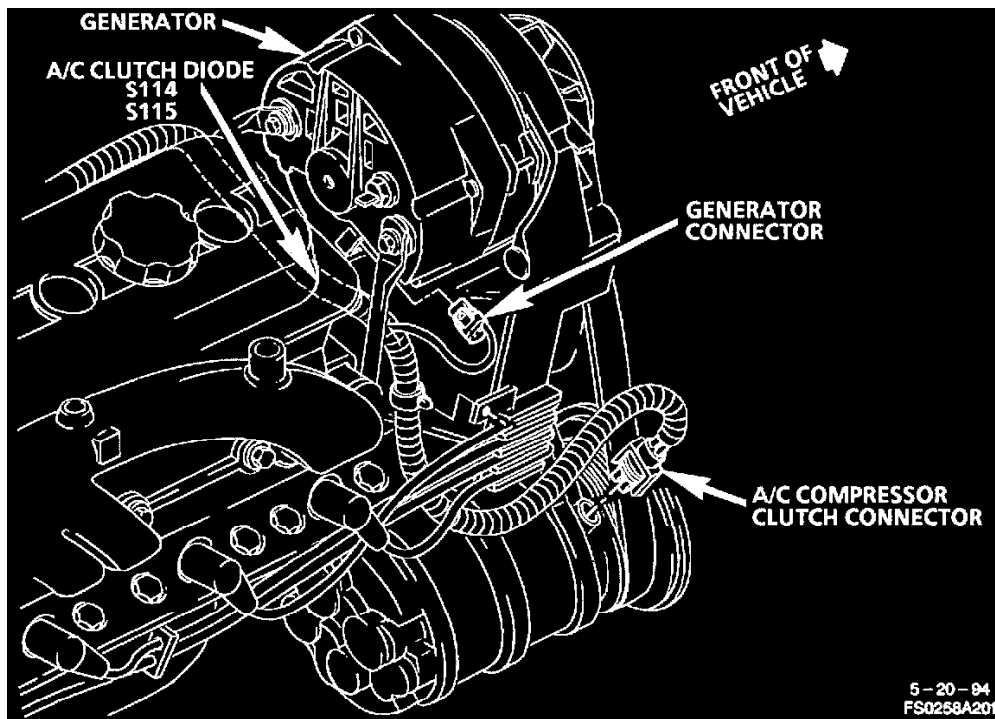
RH Rocker Panel



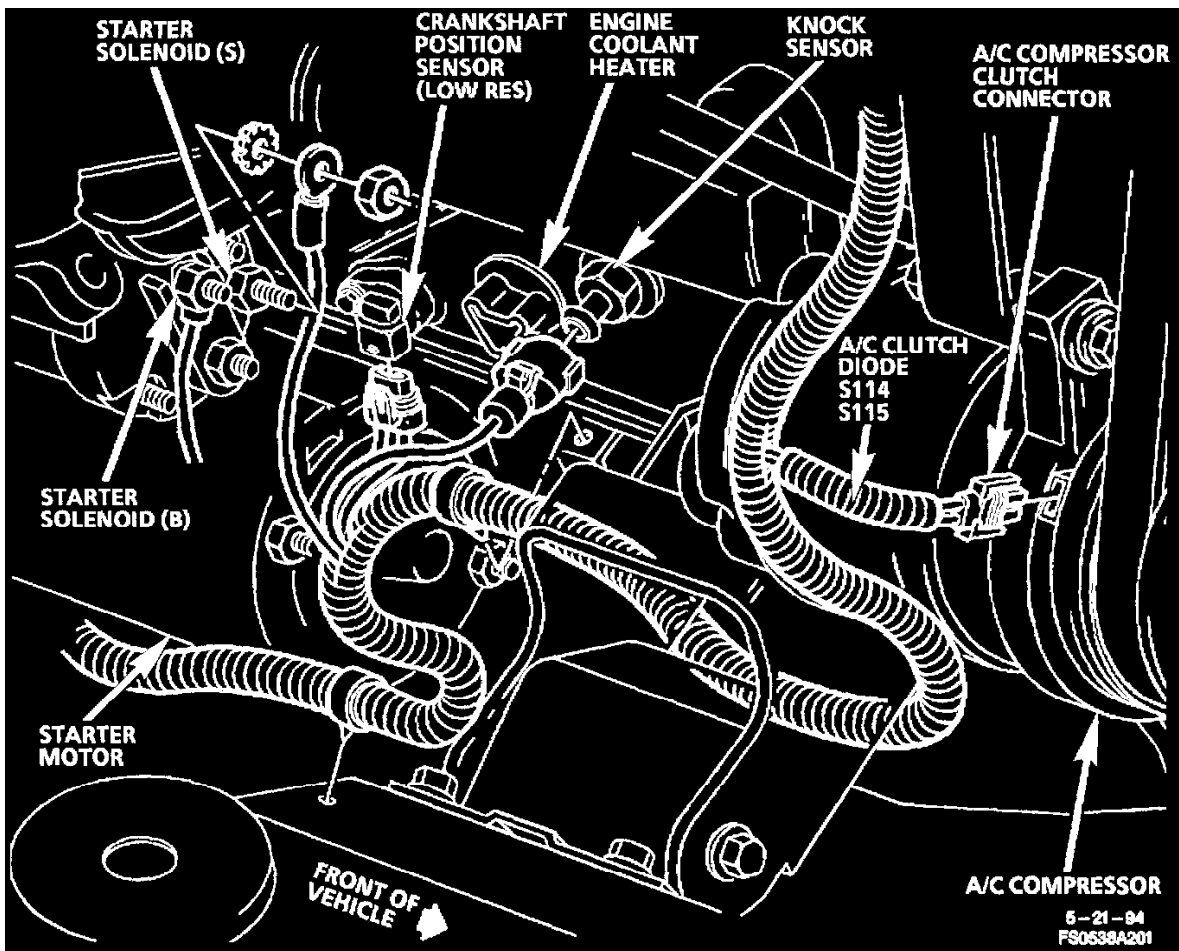
LH Rocker Panel



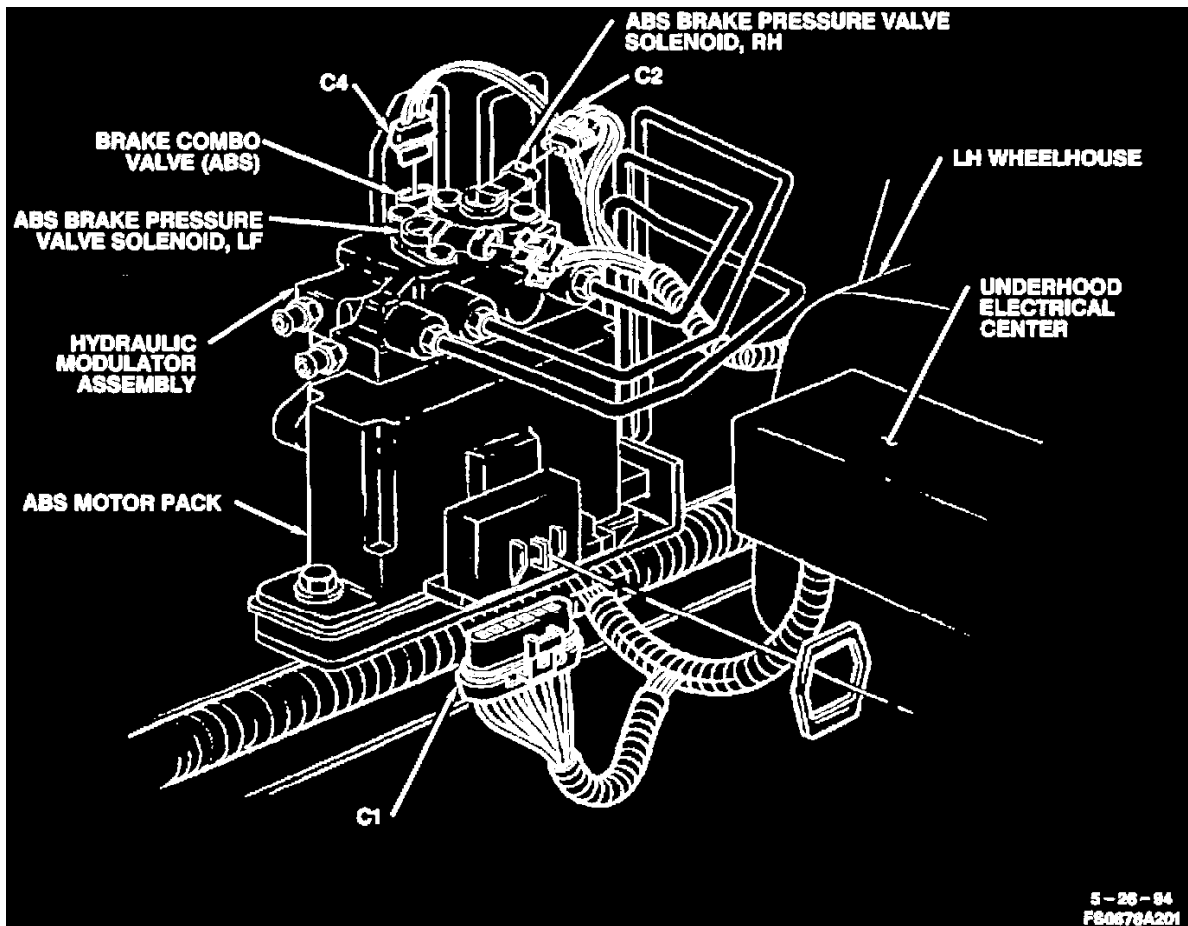
LH Rocker Panel



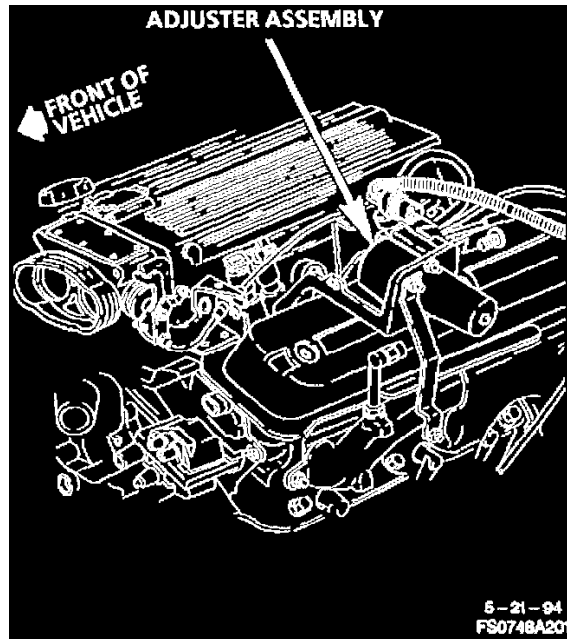
Front RH Side Of Engine



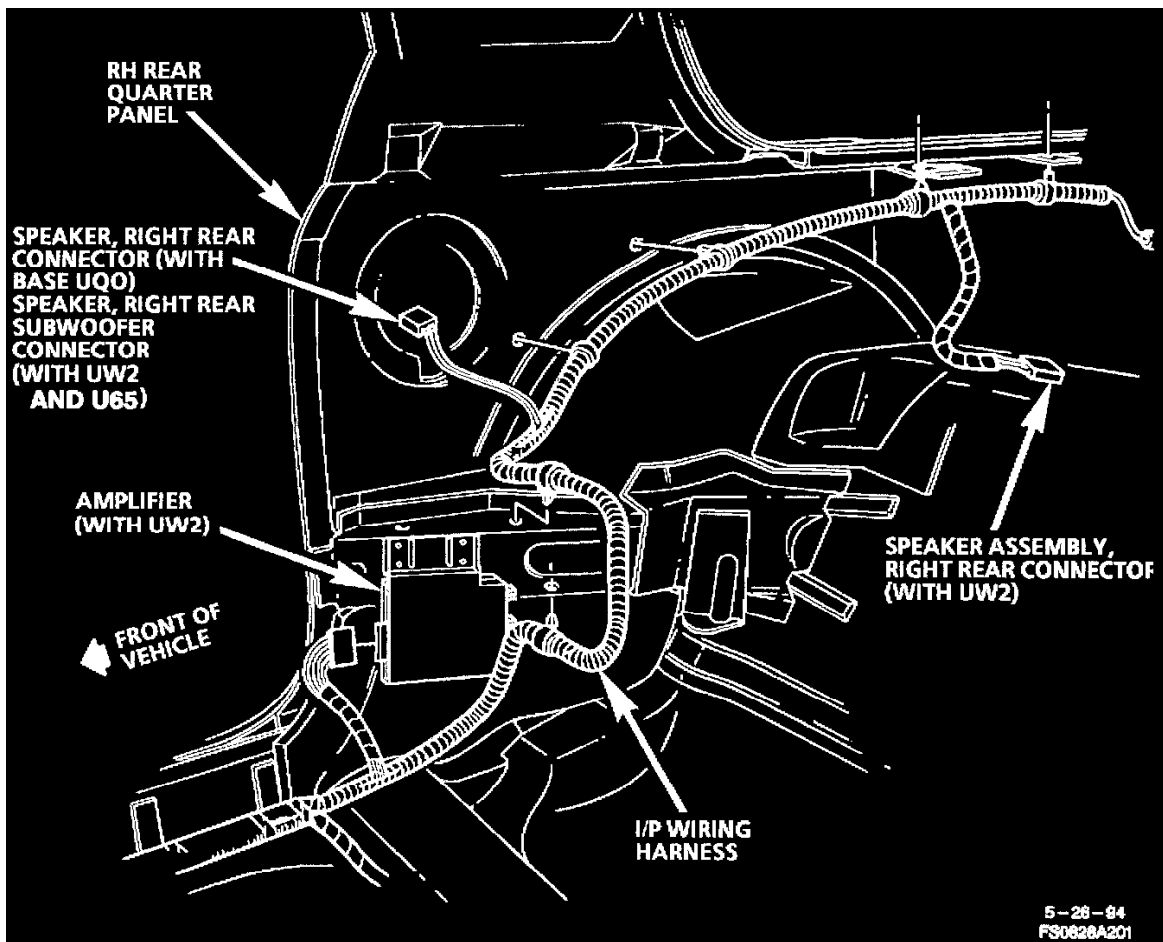
RH Side Of Engine



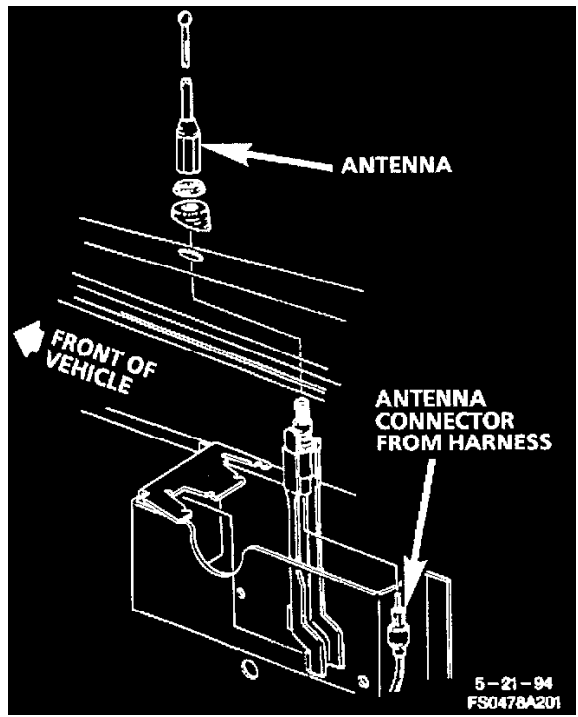
Front LH Side Of Engine Compartment



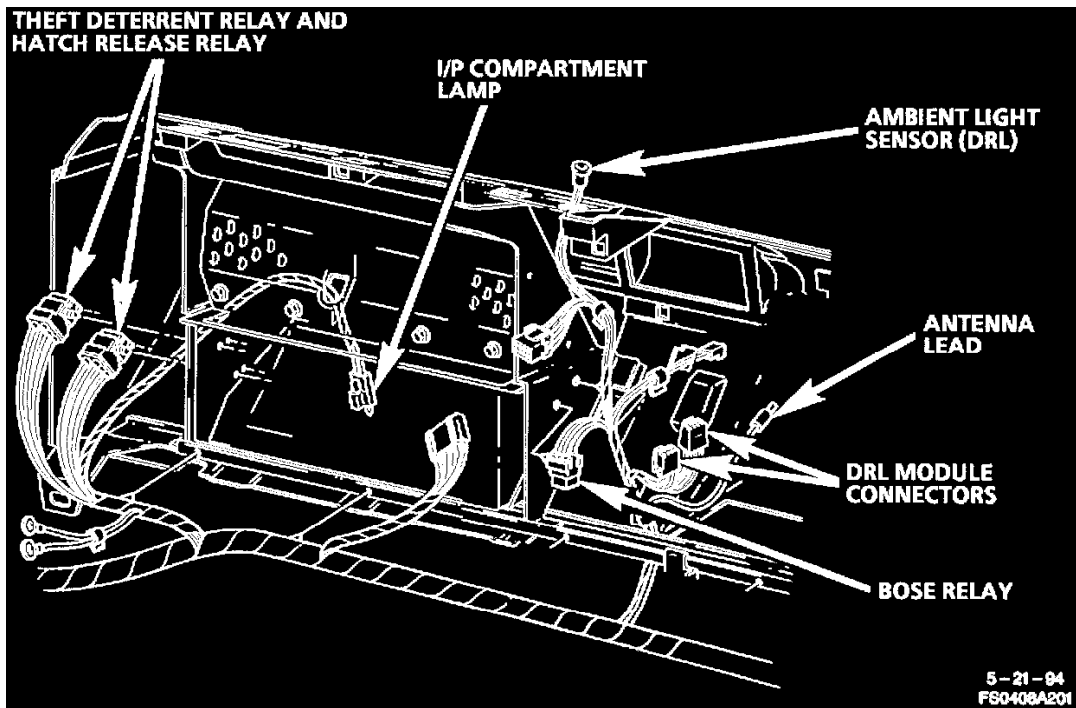
LH Side Of Engine



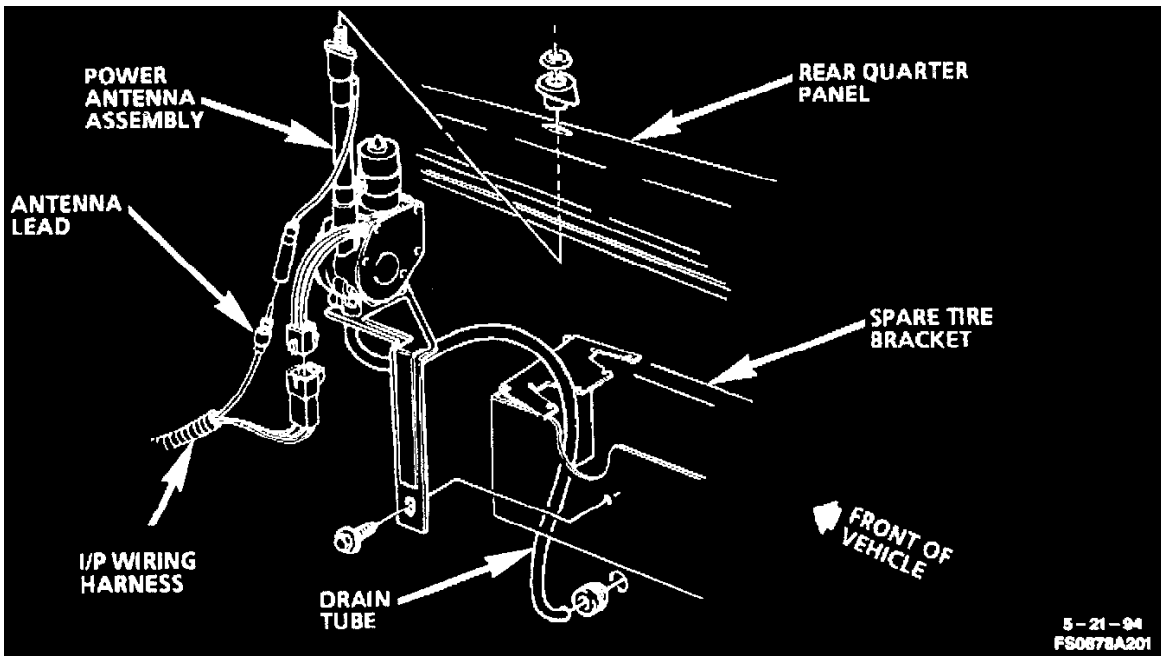
RH Rear Quarter Panel



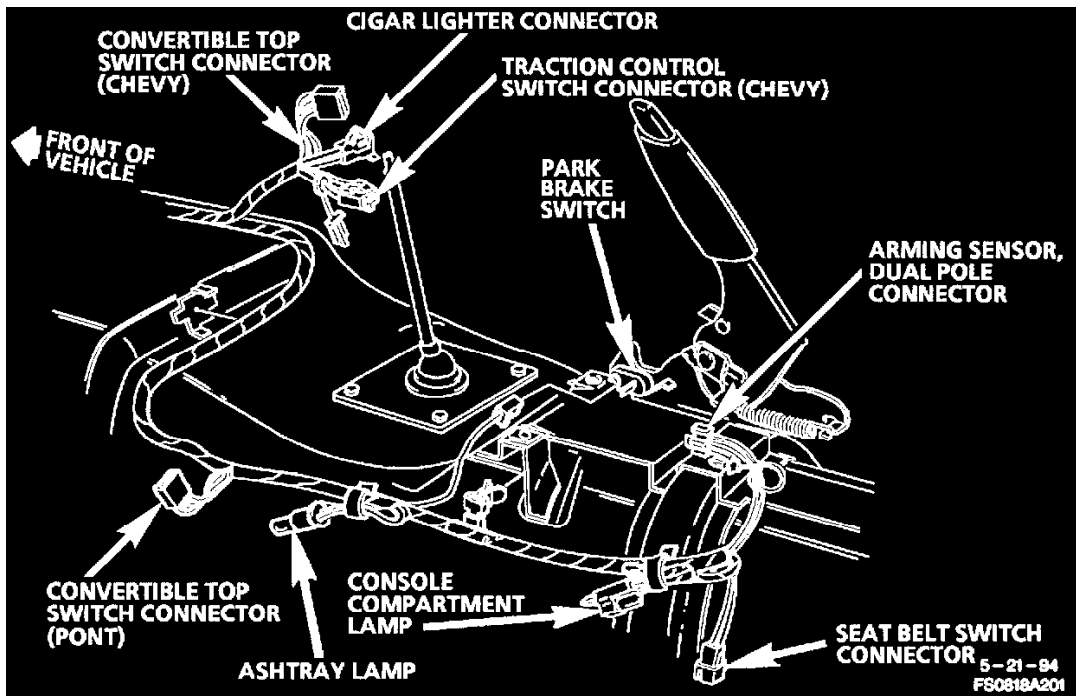
Right Rear Quarter Panel



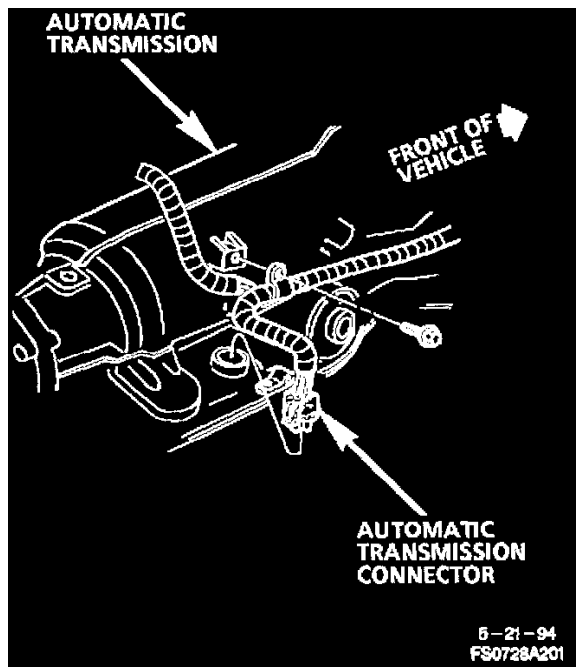
Behind RH Side Of I/P



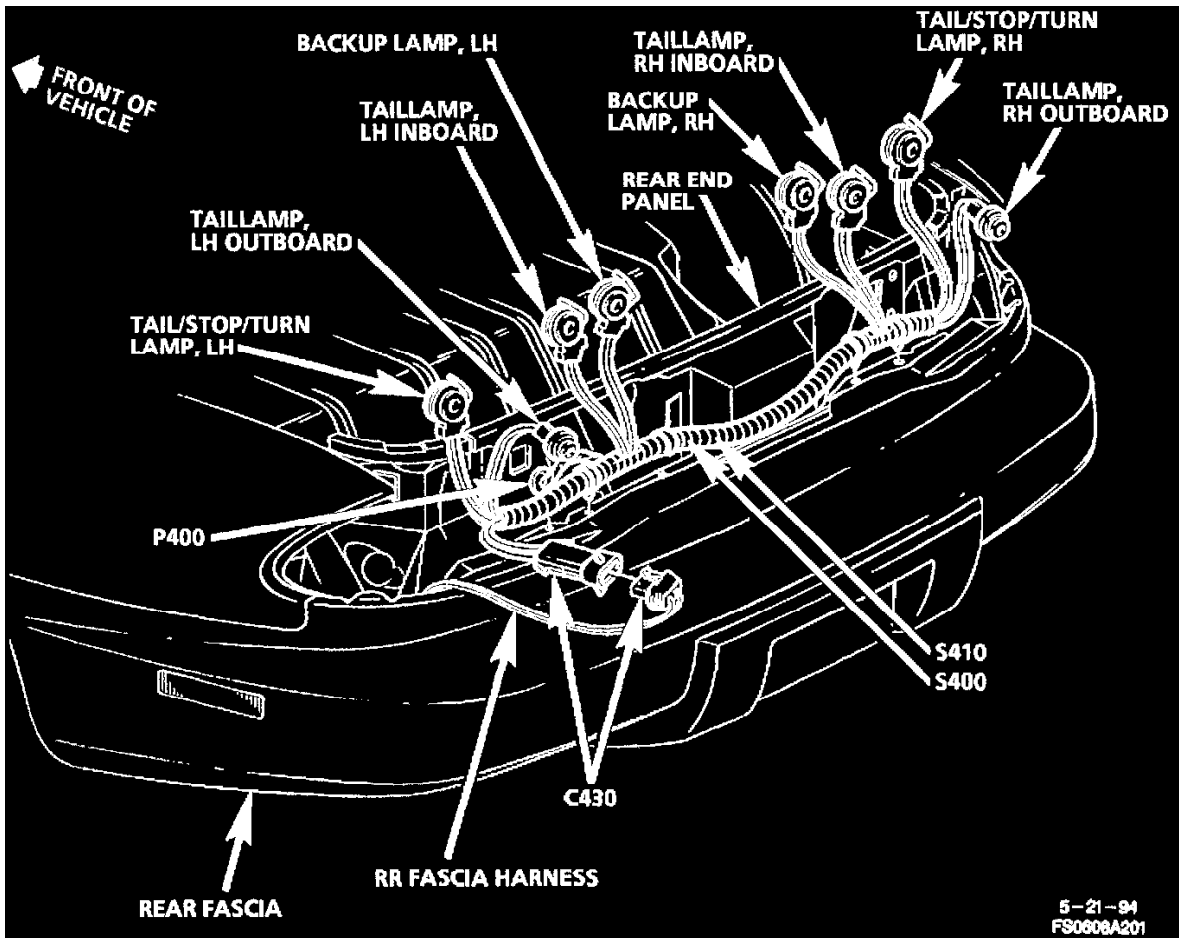
Behind Right Rear Interior Quarter Trim Panel



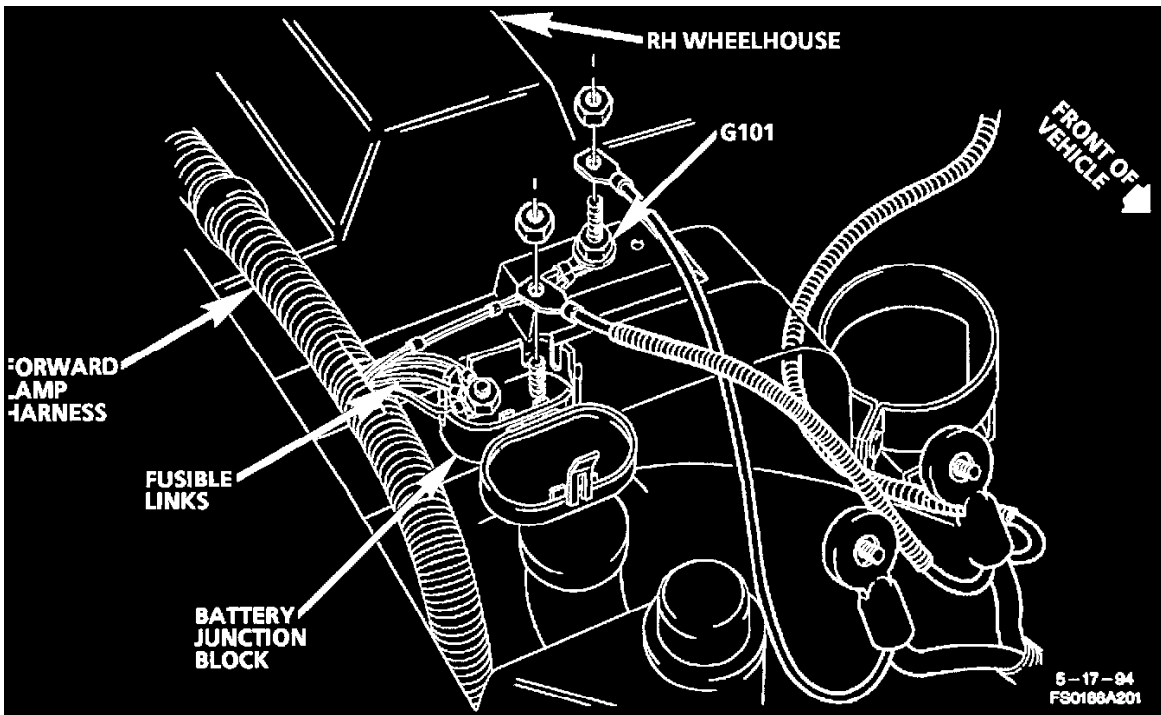
LH Side Under Console - Manual (M49 Or MM6)



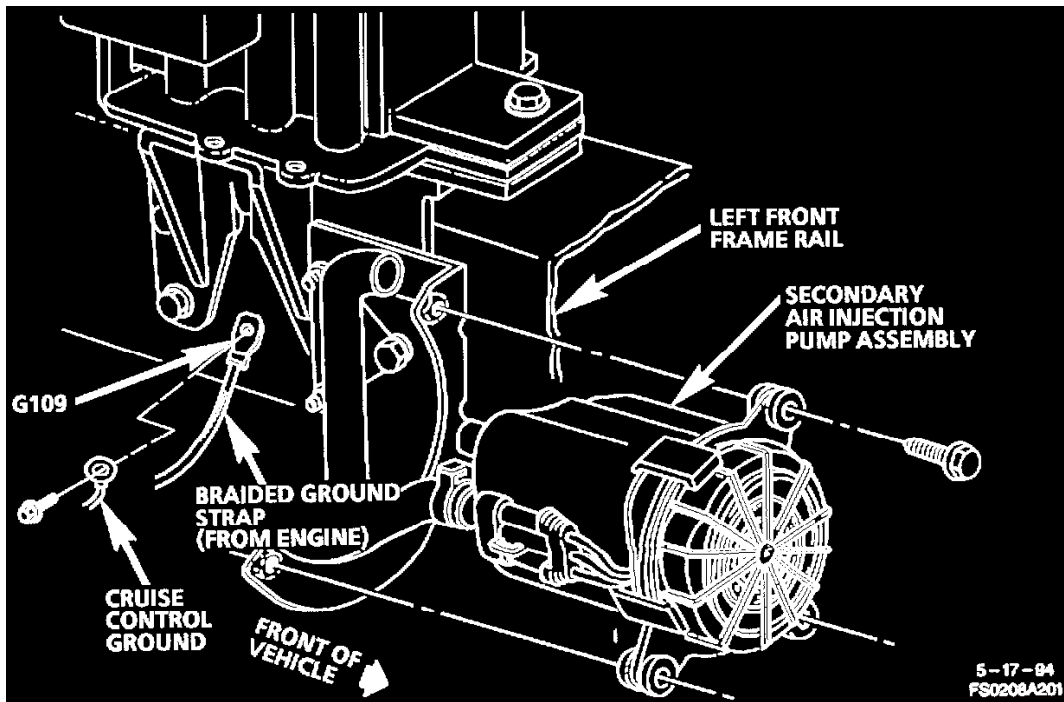
RH Side Of Automatic Transmission



Rear Of Vehicle

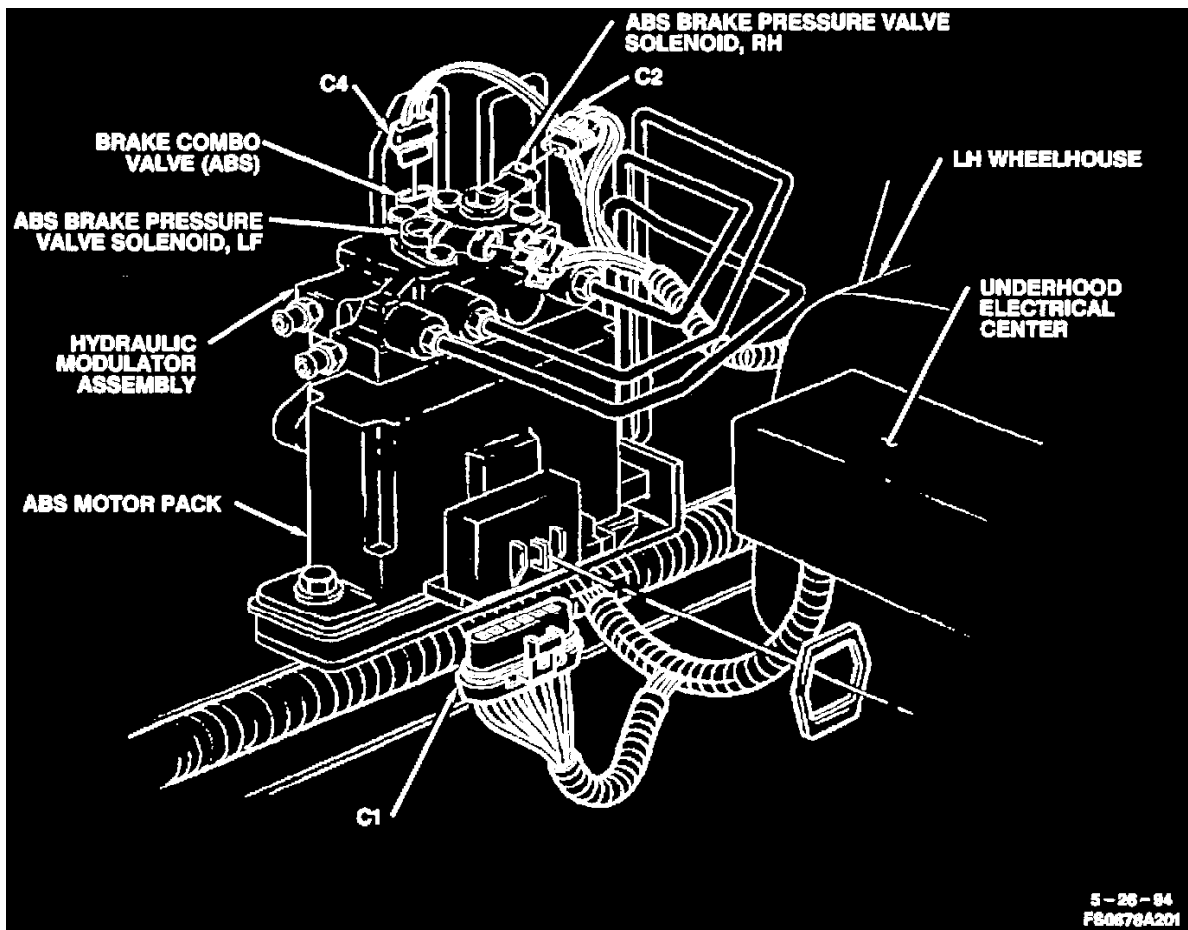


RH Wheelhouse

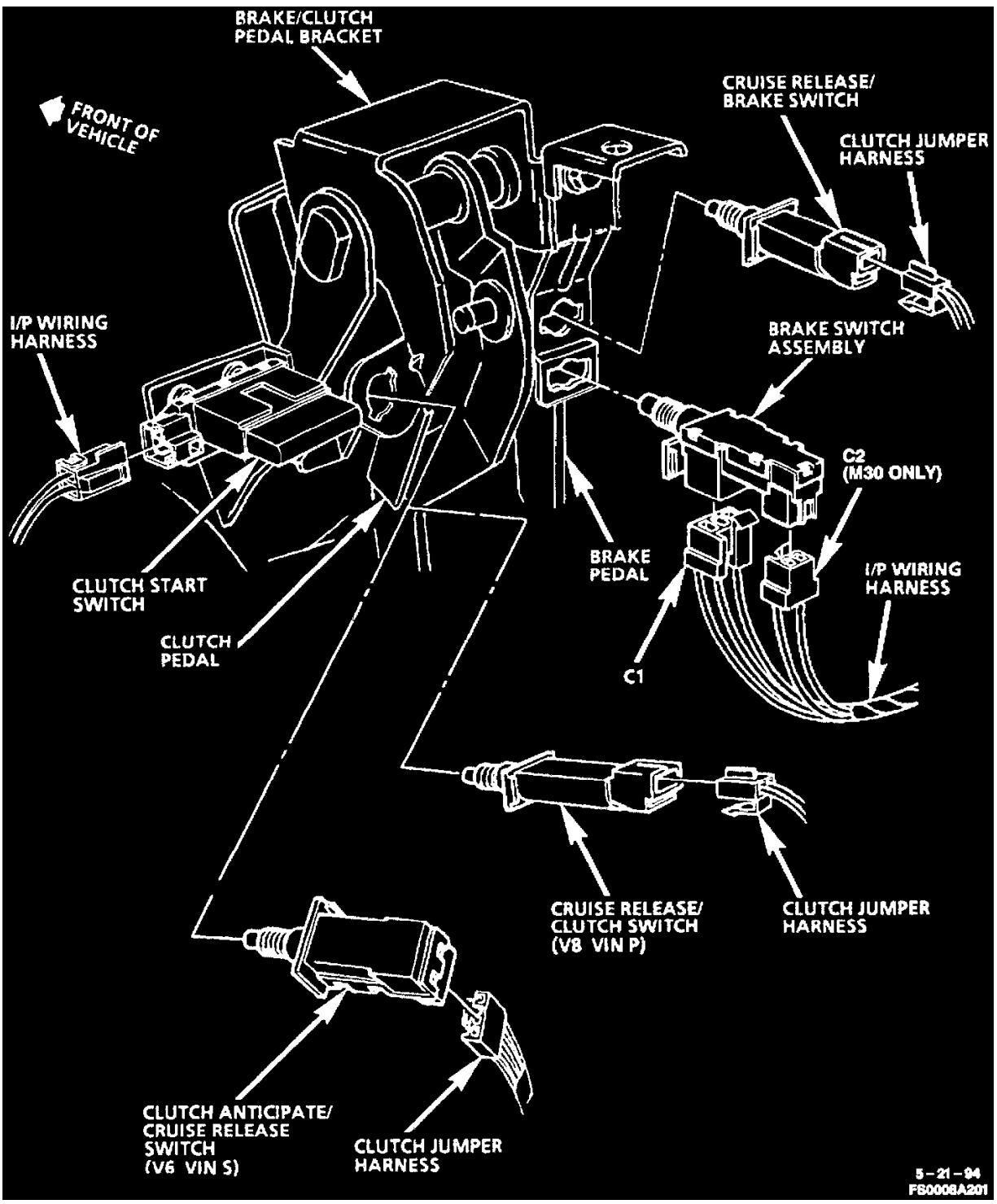


LH Front Frame Rail

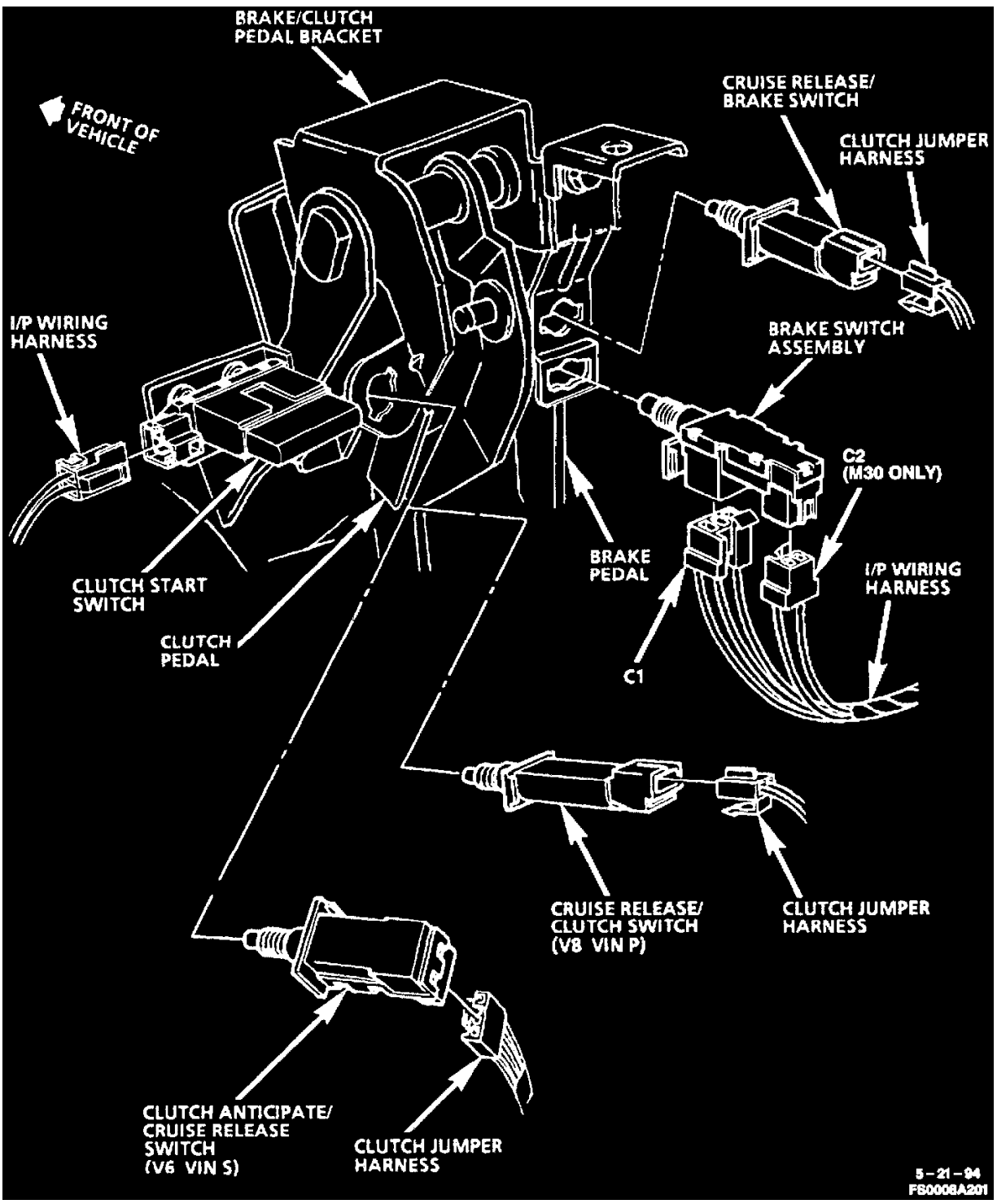




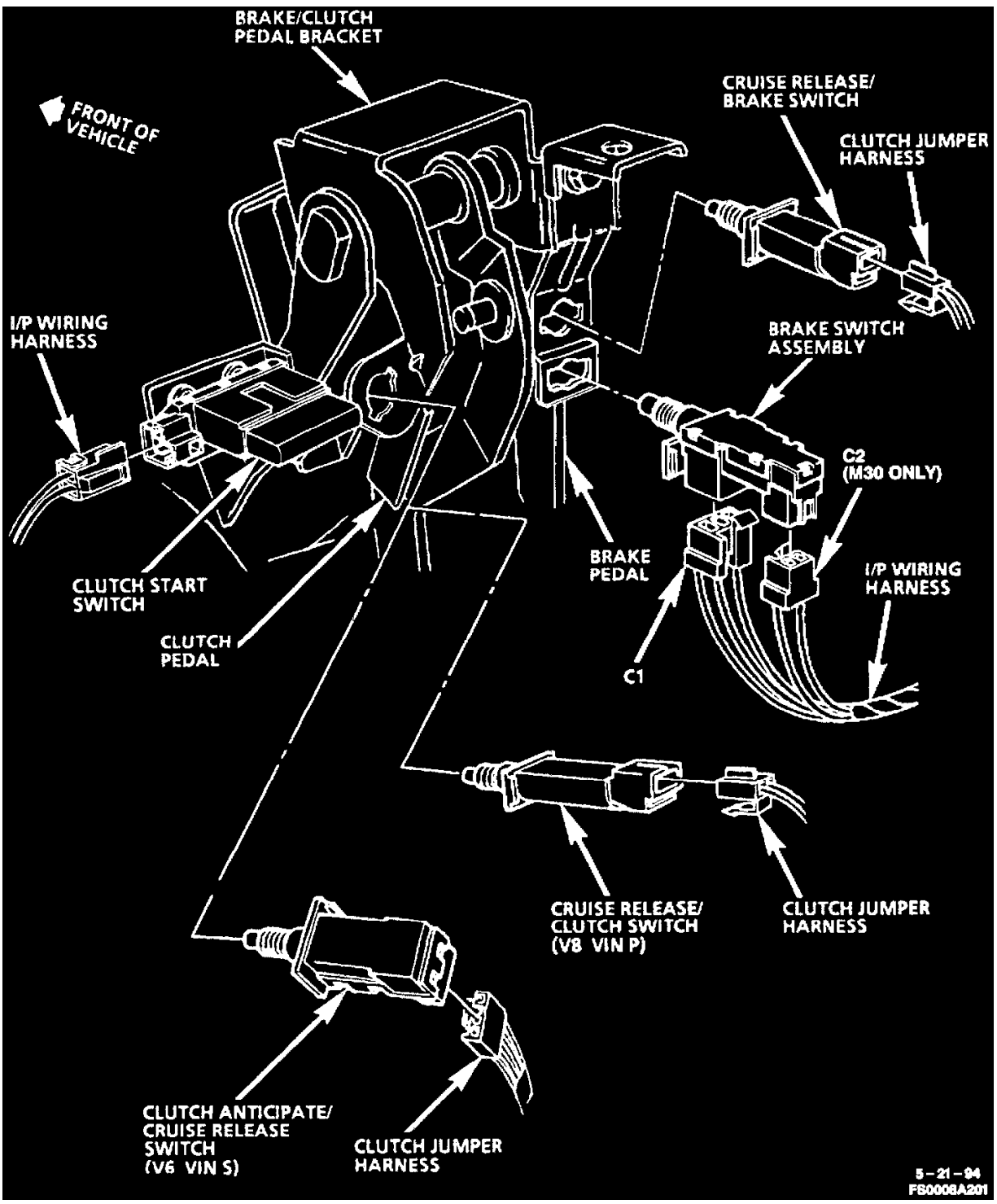
Front LH Side Of Engine Compartment



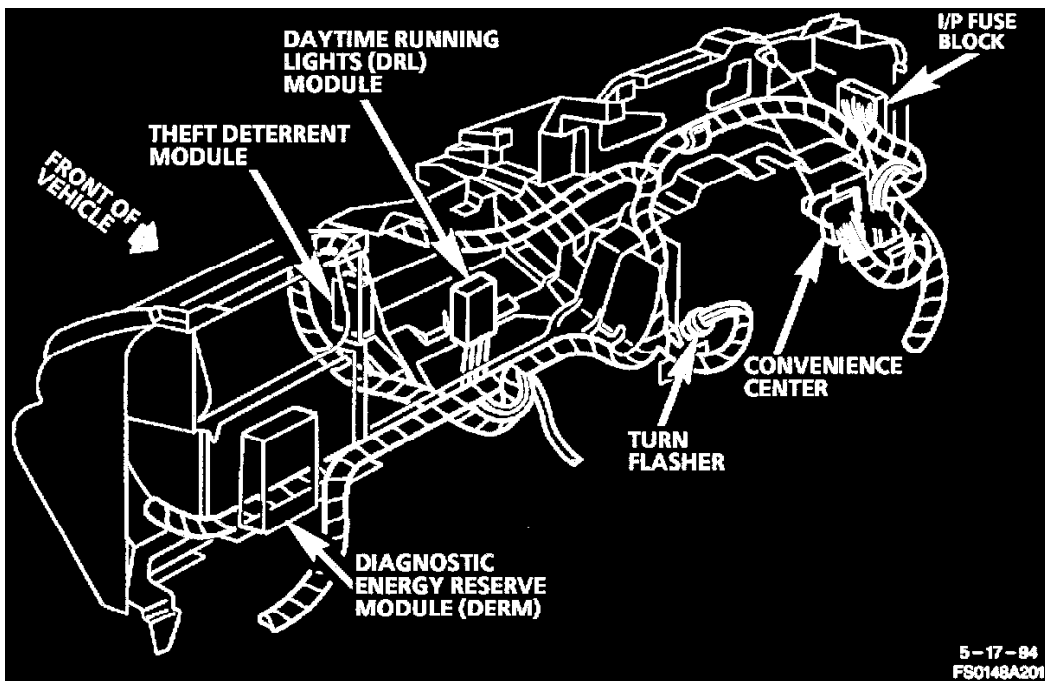
Brake Pedal



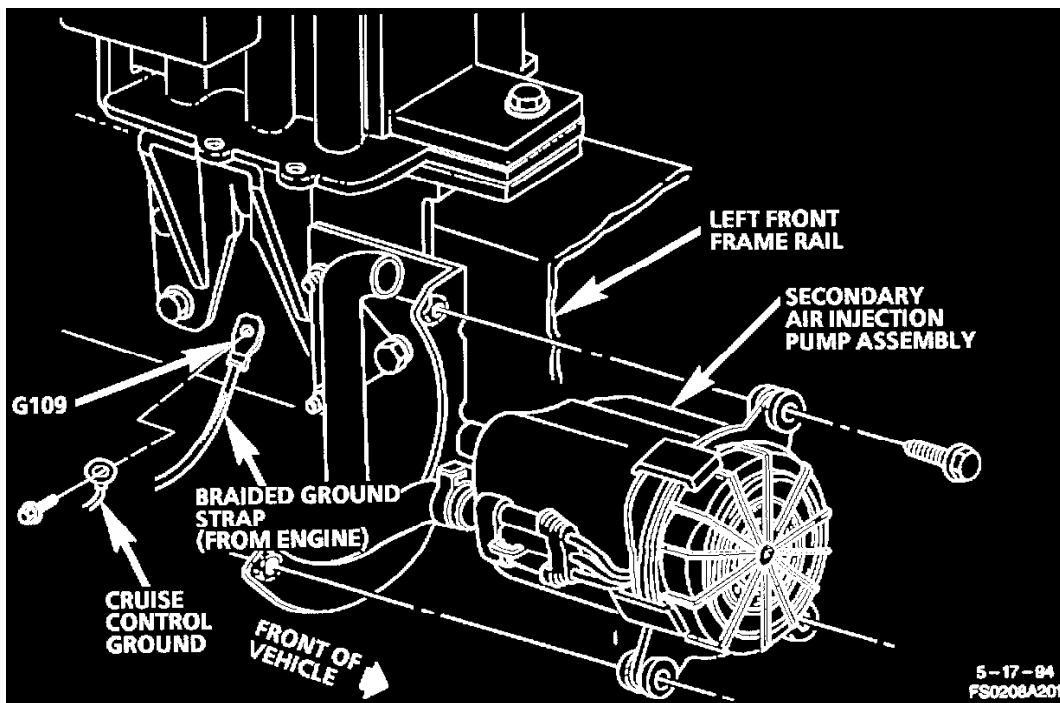
Brake Pedal



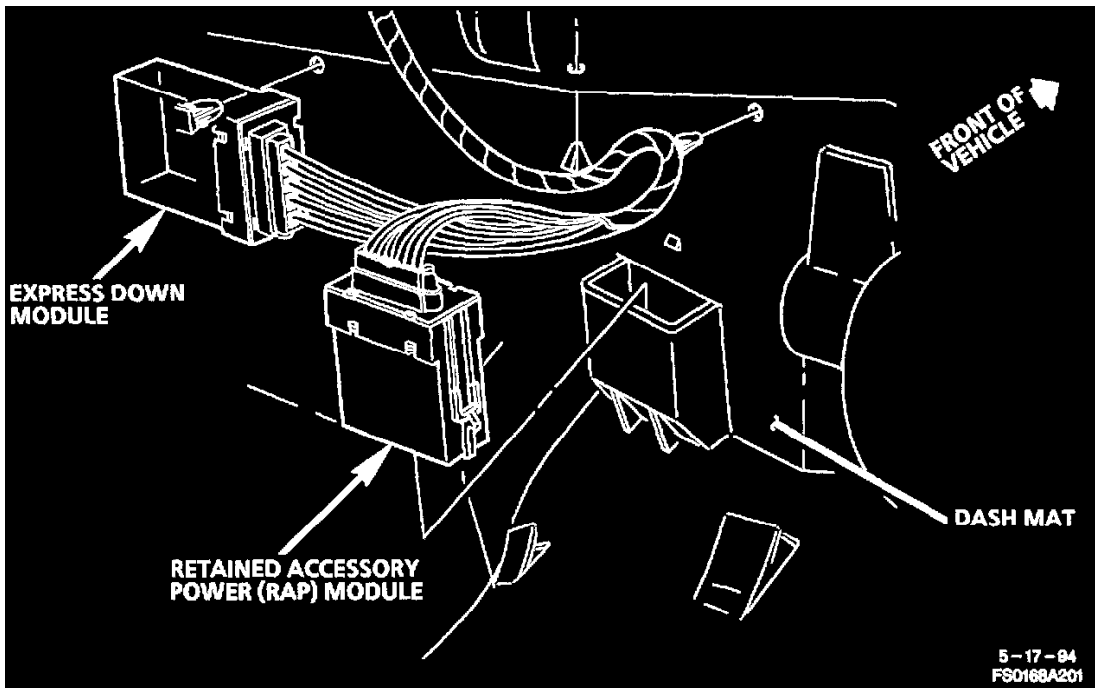
Brake Pedal



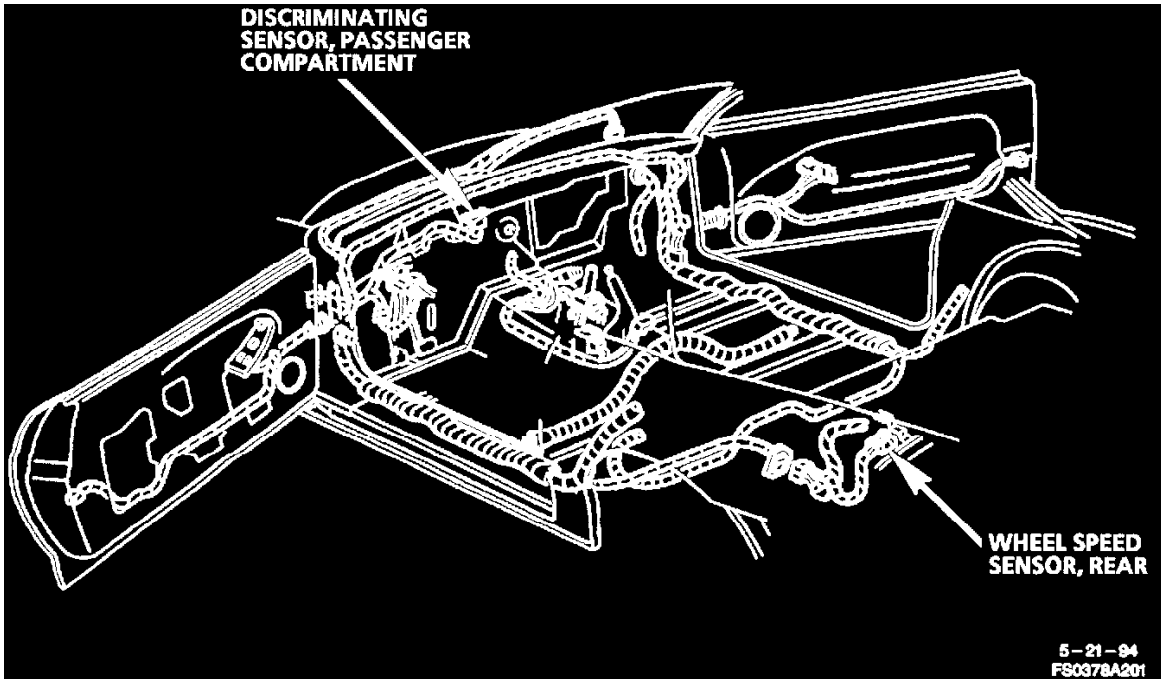
Rear View Of I/P Carrier



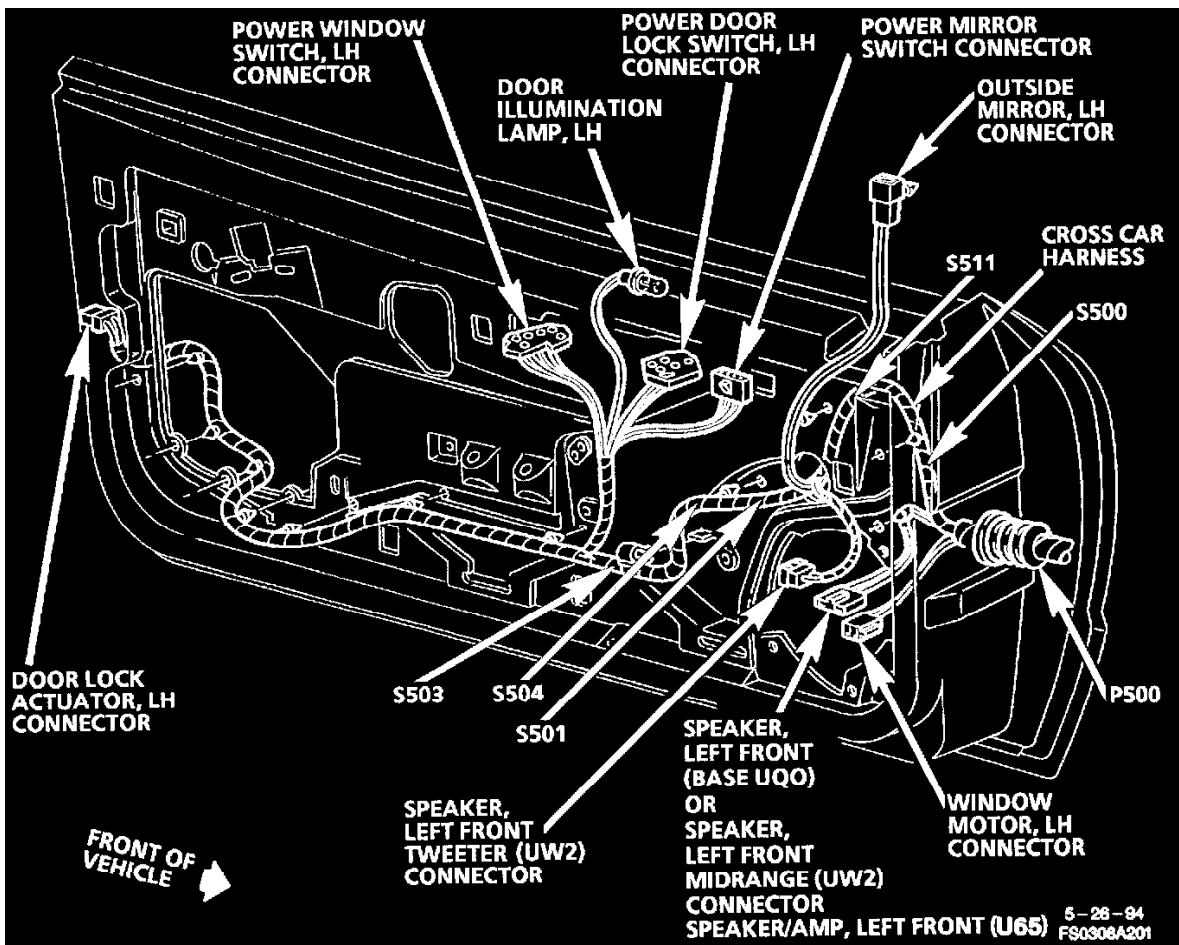
LH Front Frame Rail



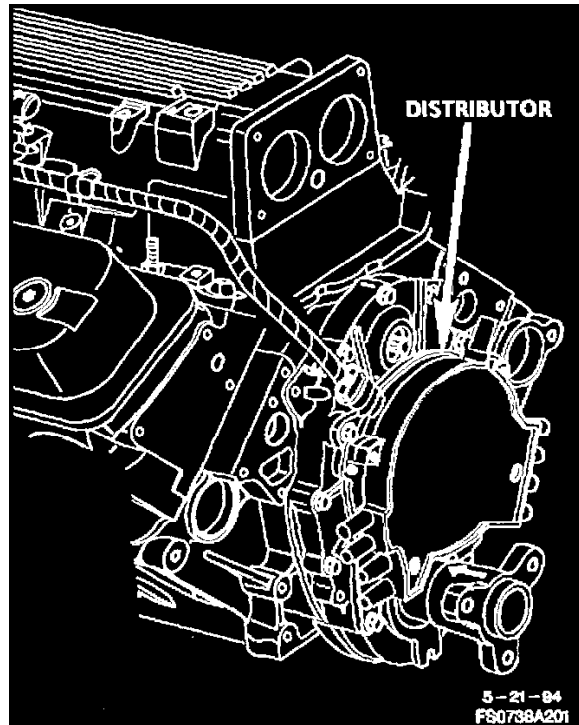
Center Of Dash Mat Above Floor Tunnel



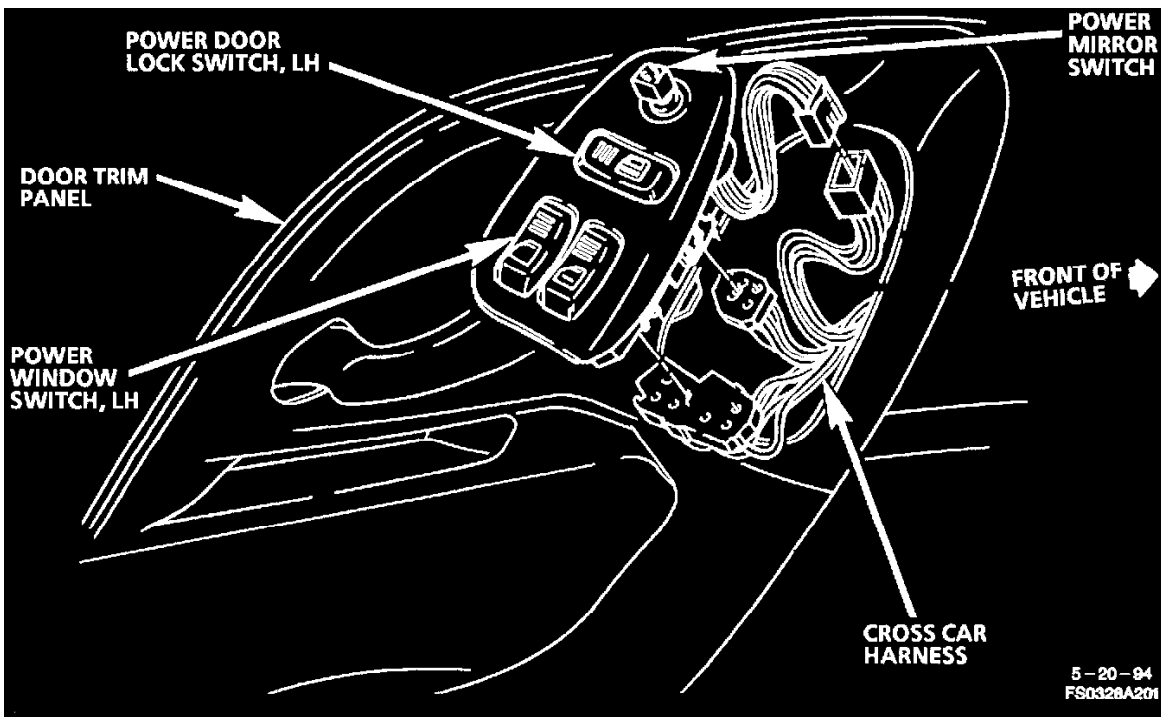
General Harness Routing View



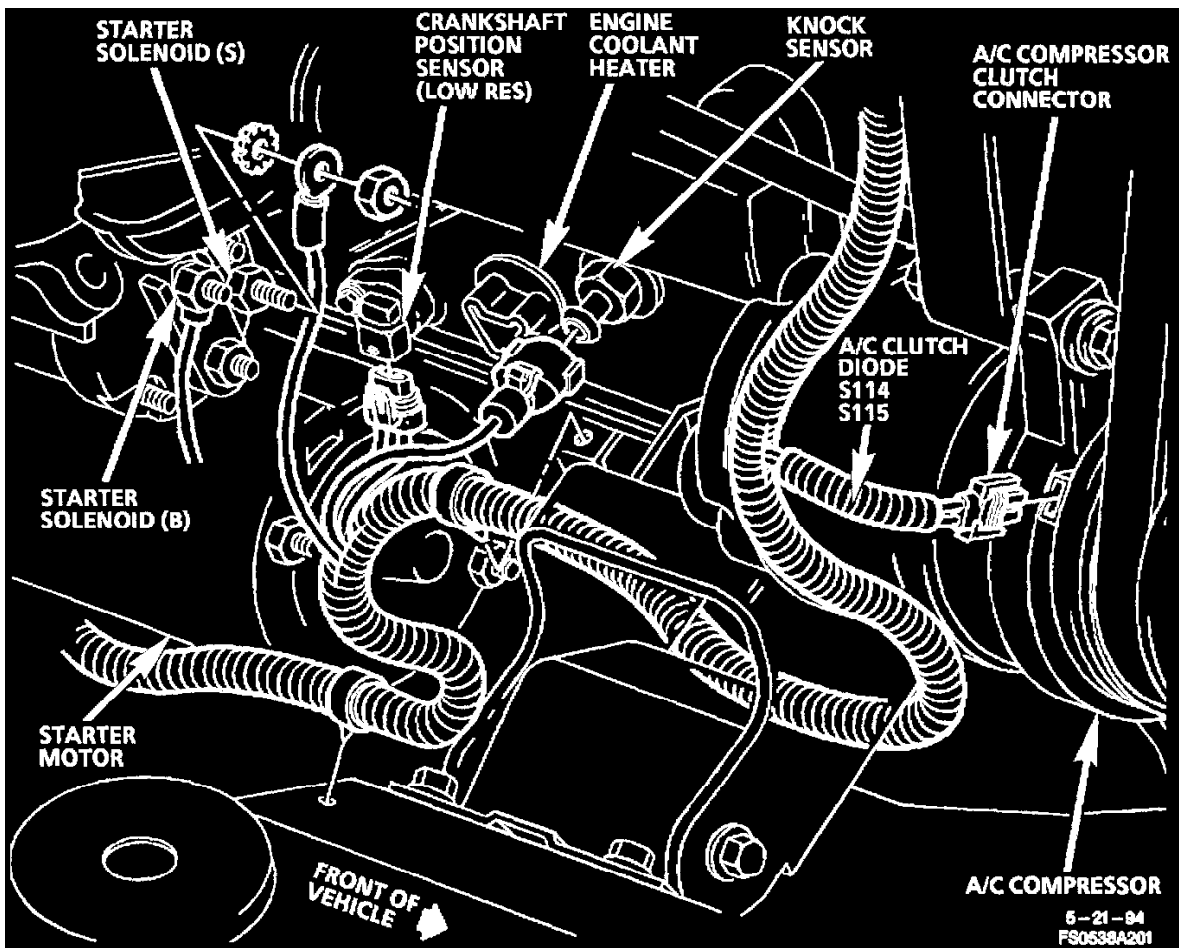
Behind LH Door Trim (RH Door Similar)



Front Of Engine

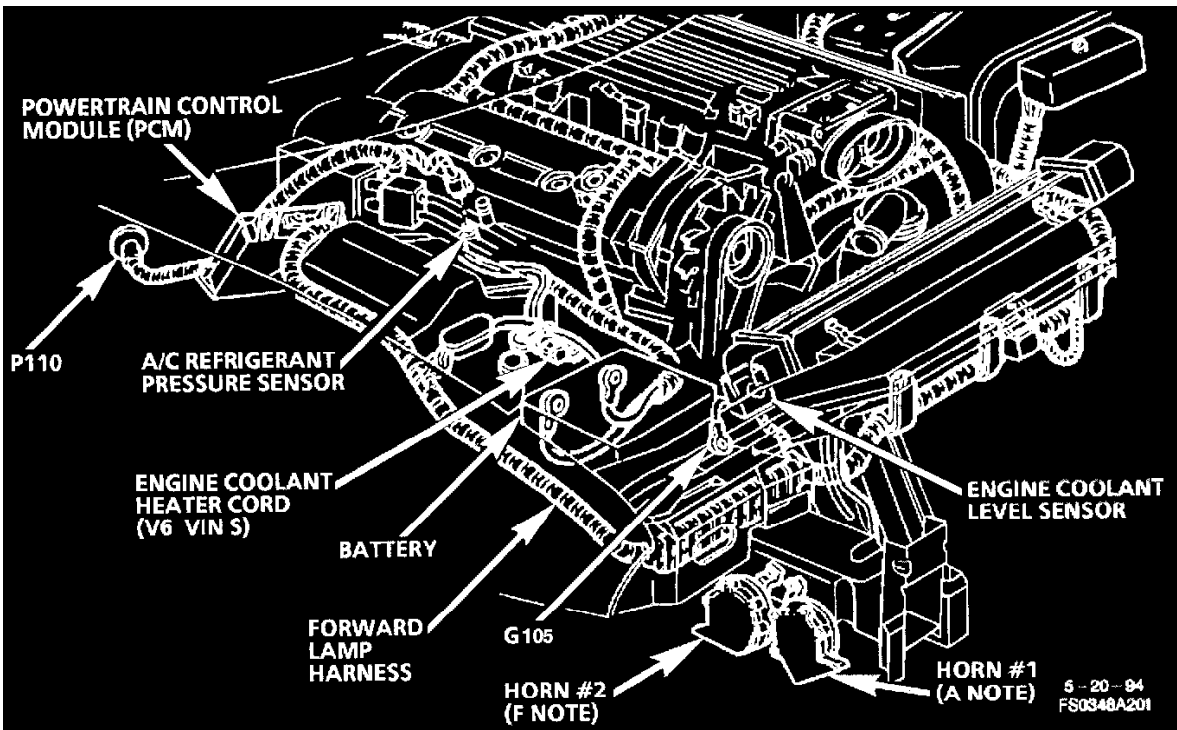


LH Door Armrest

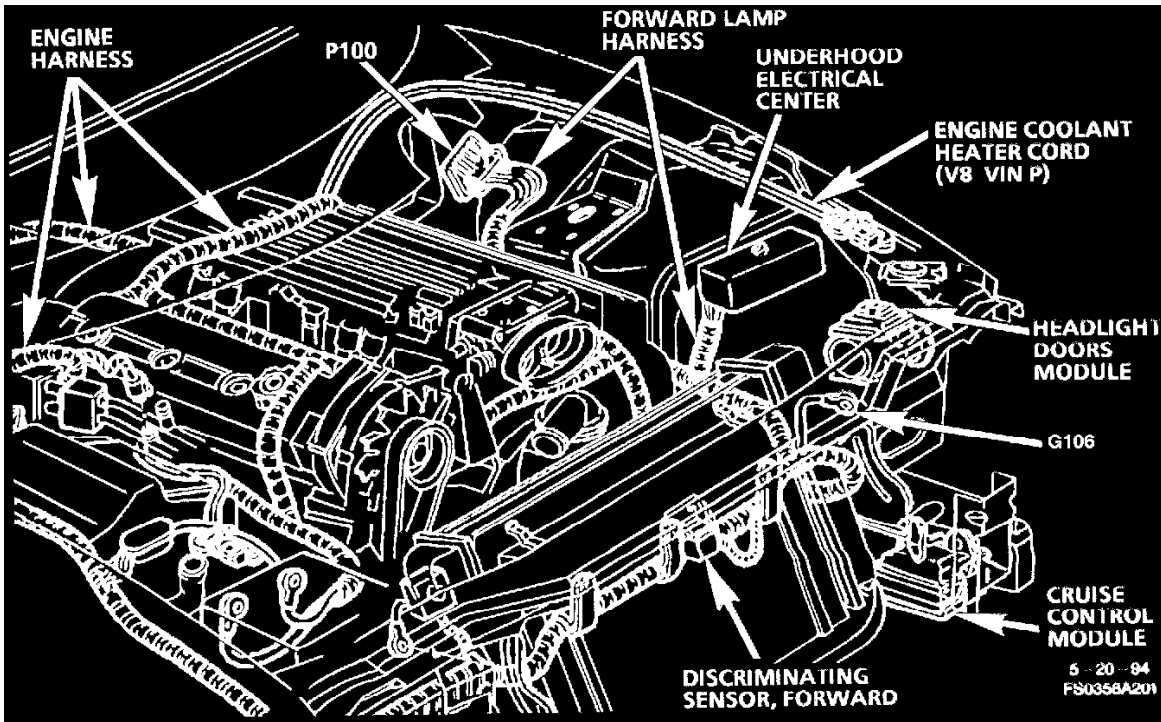


RH Side Of Engine

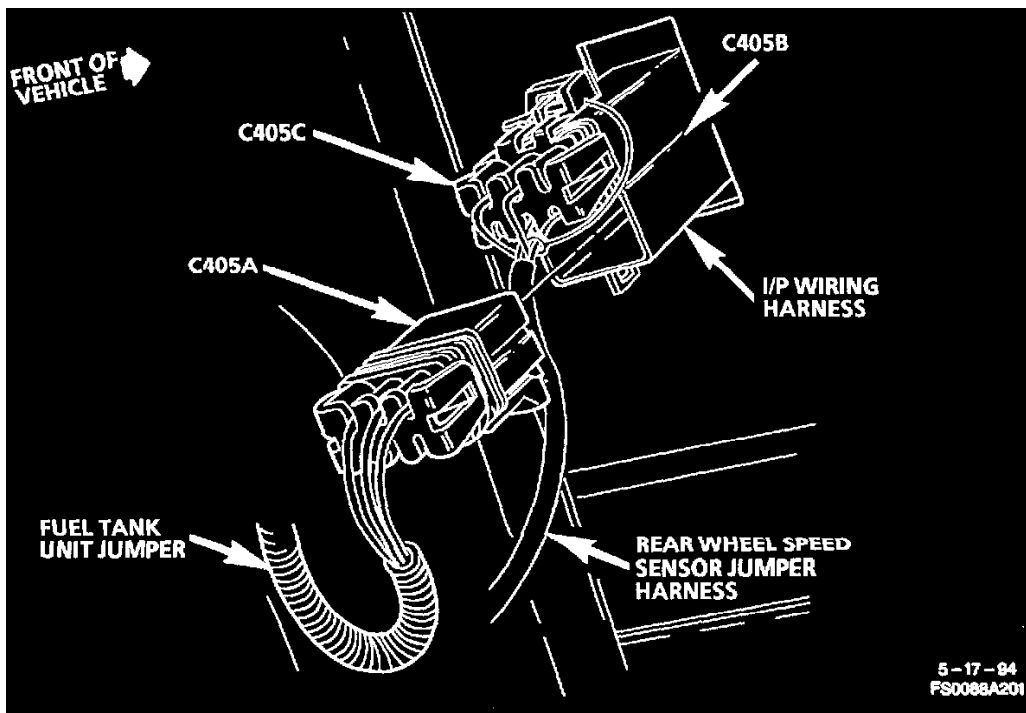




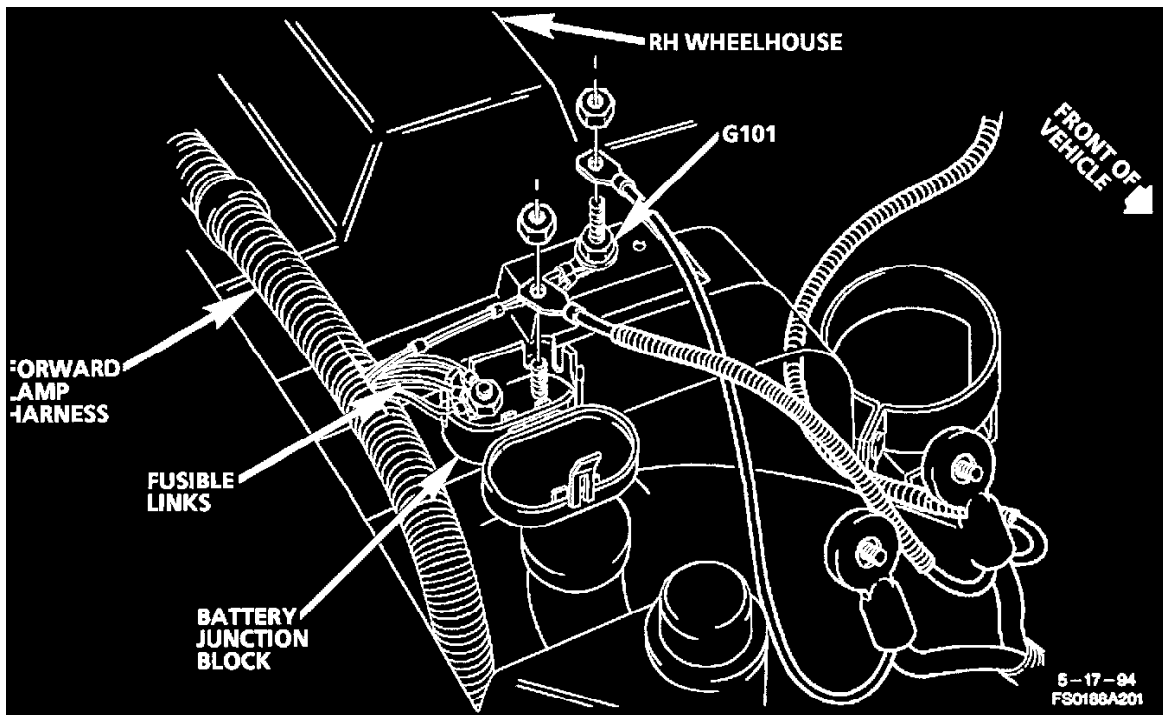
Engine Compartment (LT1, L32/L36 Similar)



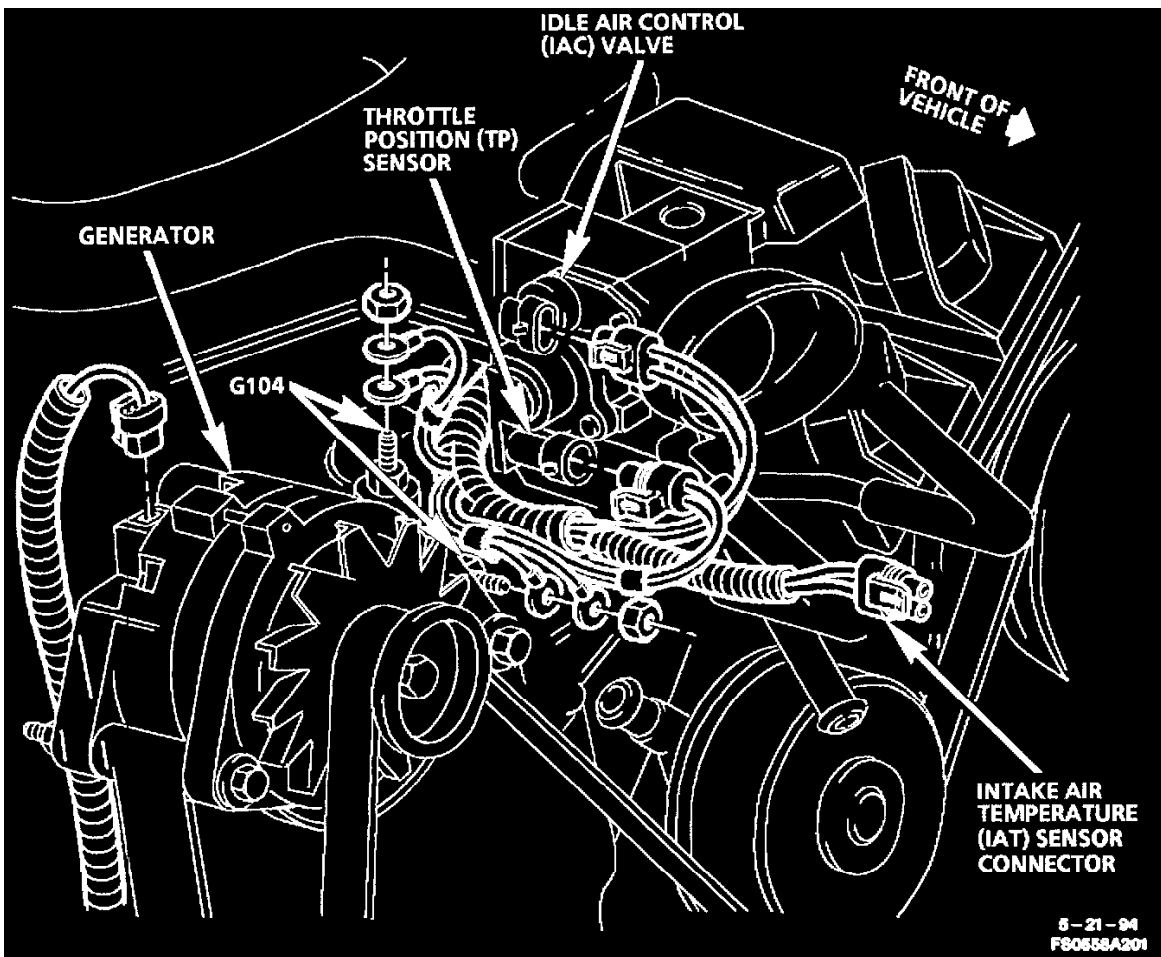
Engine Compartment (LT1, L32/L36 Similar)



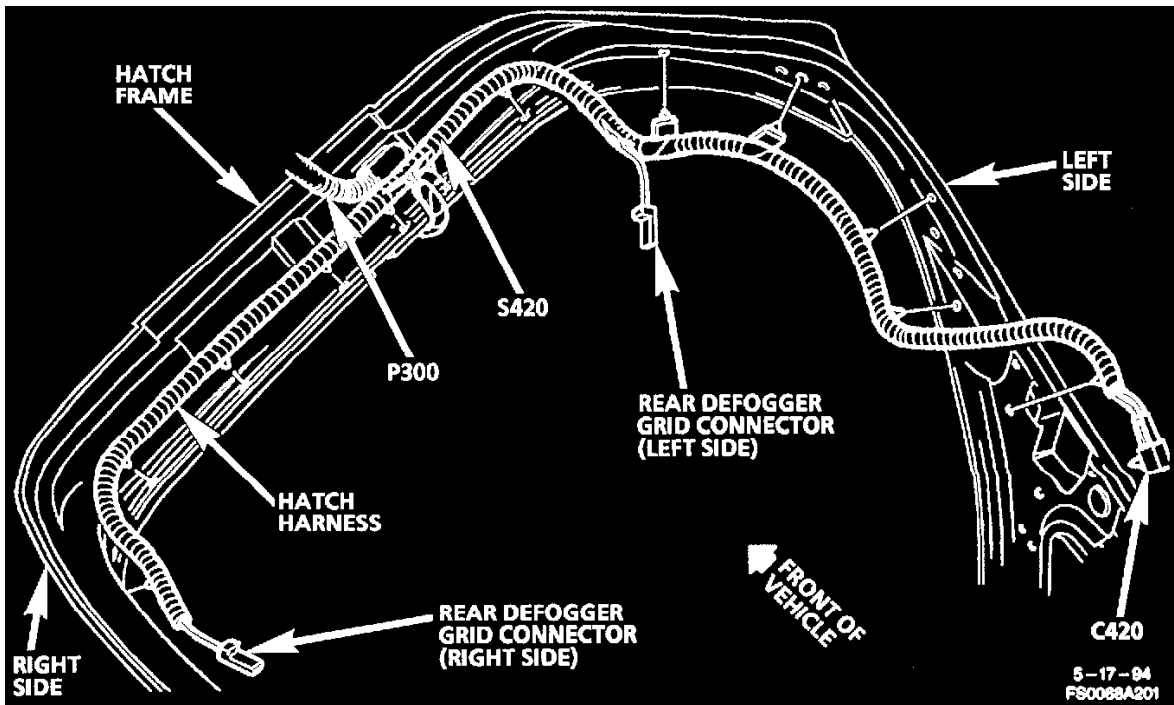
Forward Of LH Side Of Rear Axle



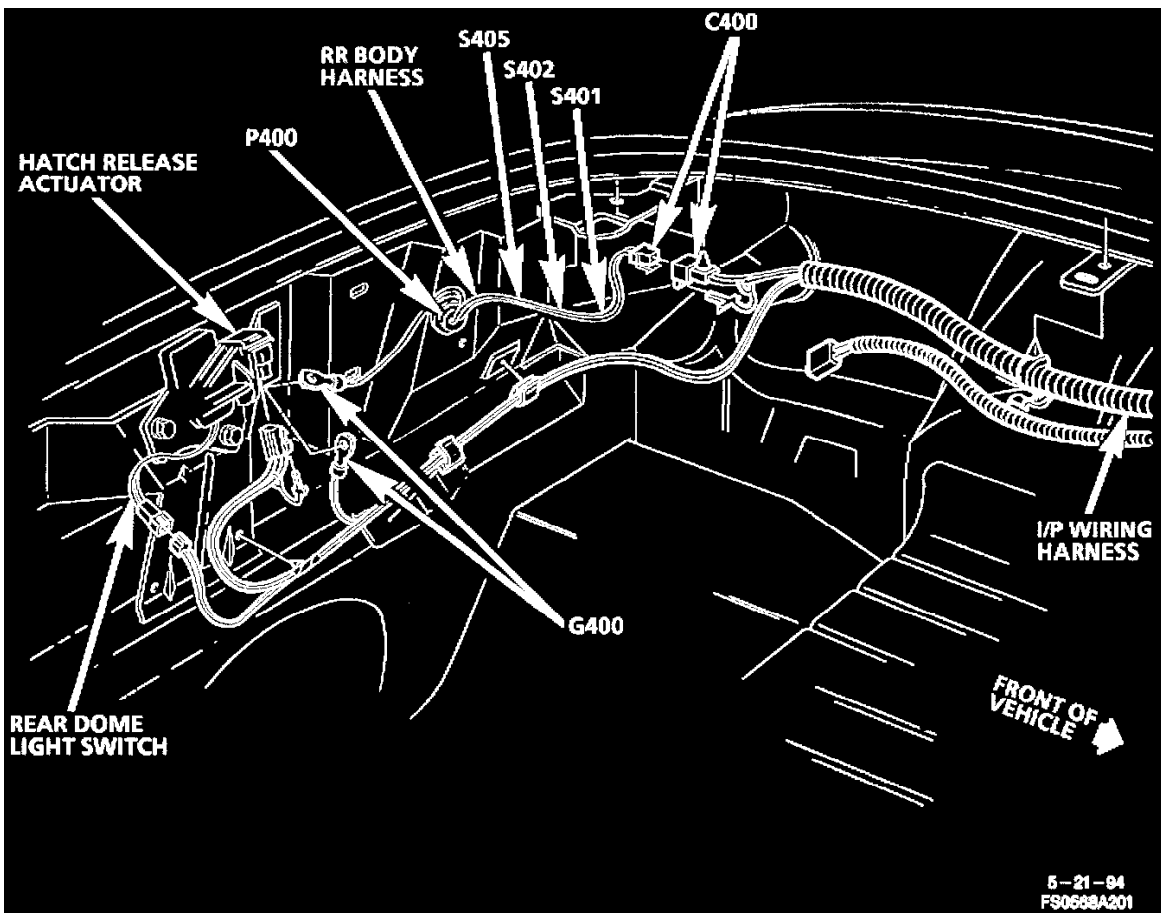
RH Wheelhouse



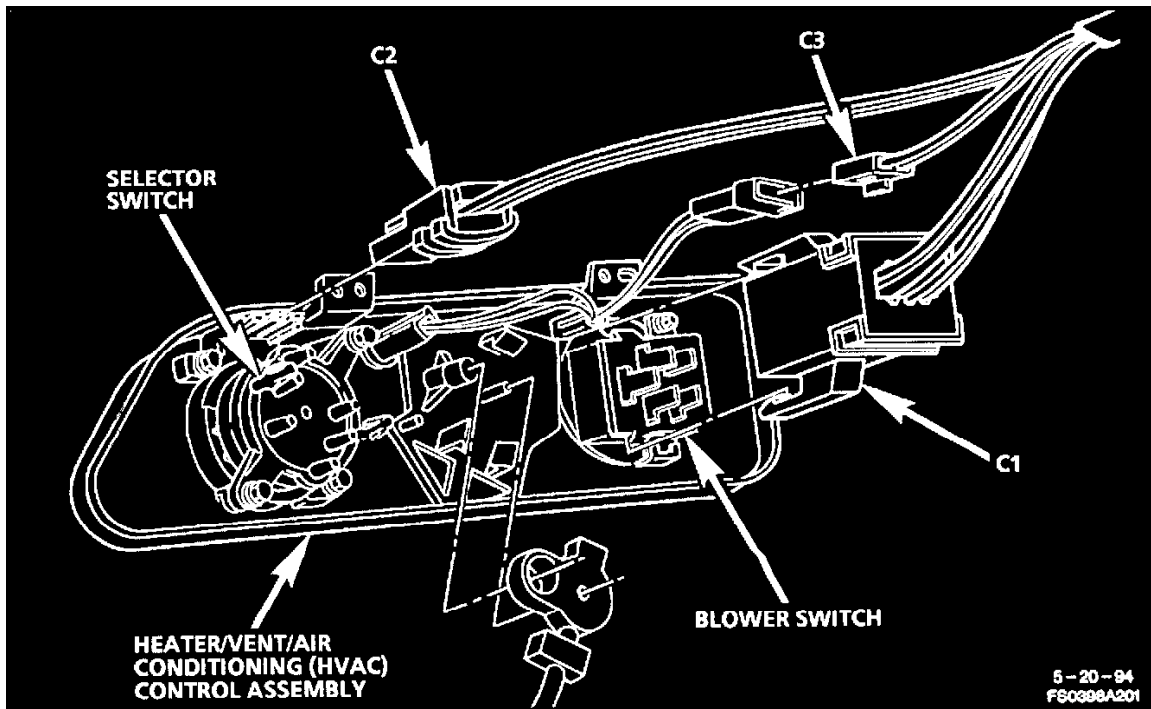
Top Front RH Side Of Engine



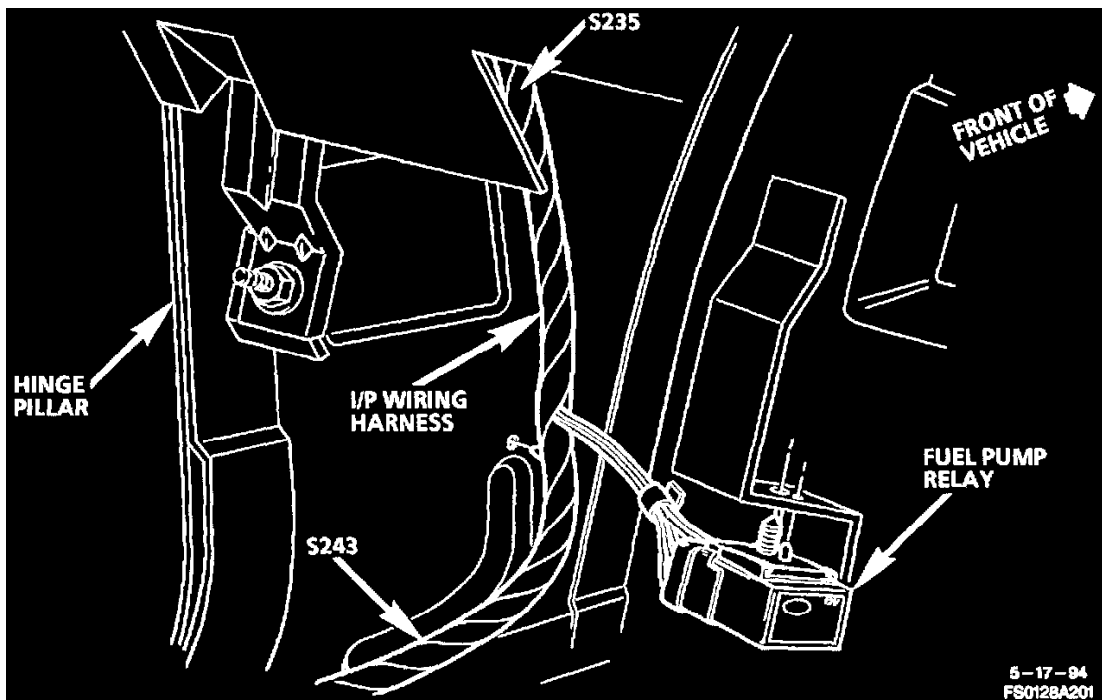
Bottom Side Of Hatch, Shown Upside Down (Coupe)



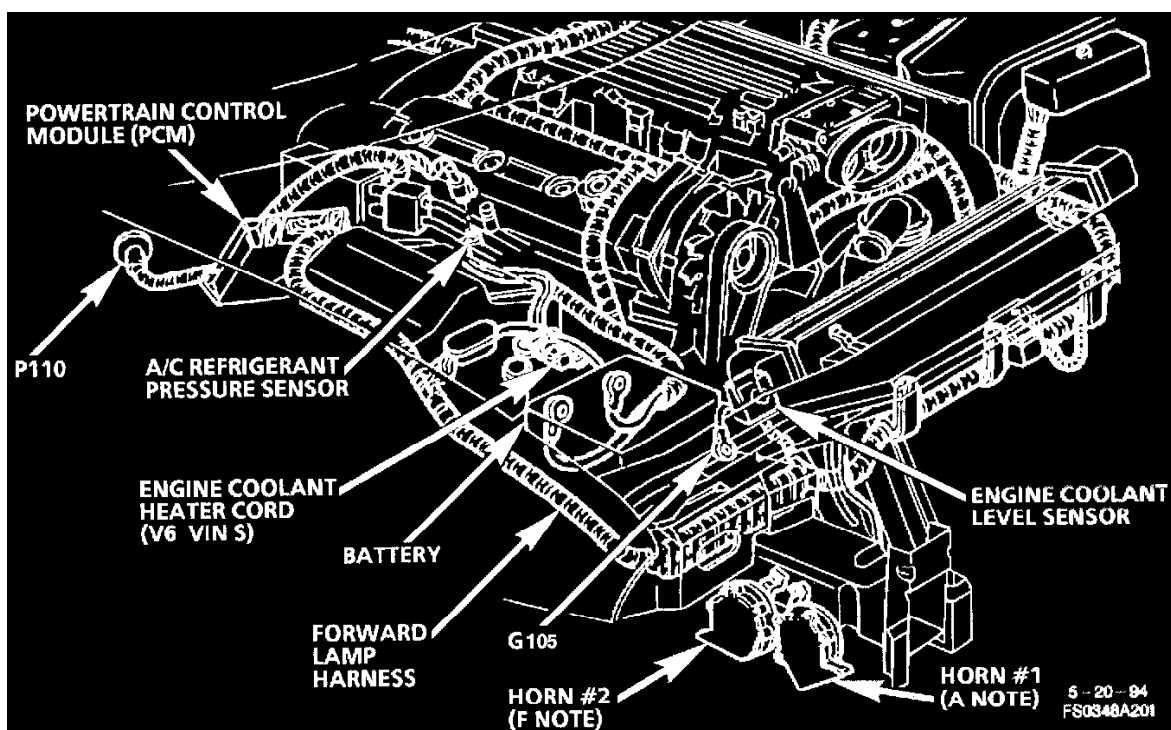
LH Rear Cargo Compartment



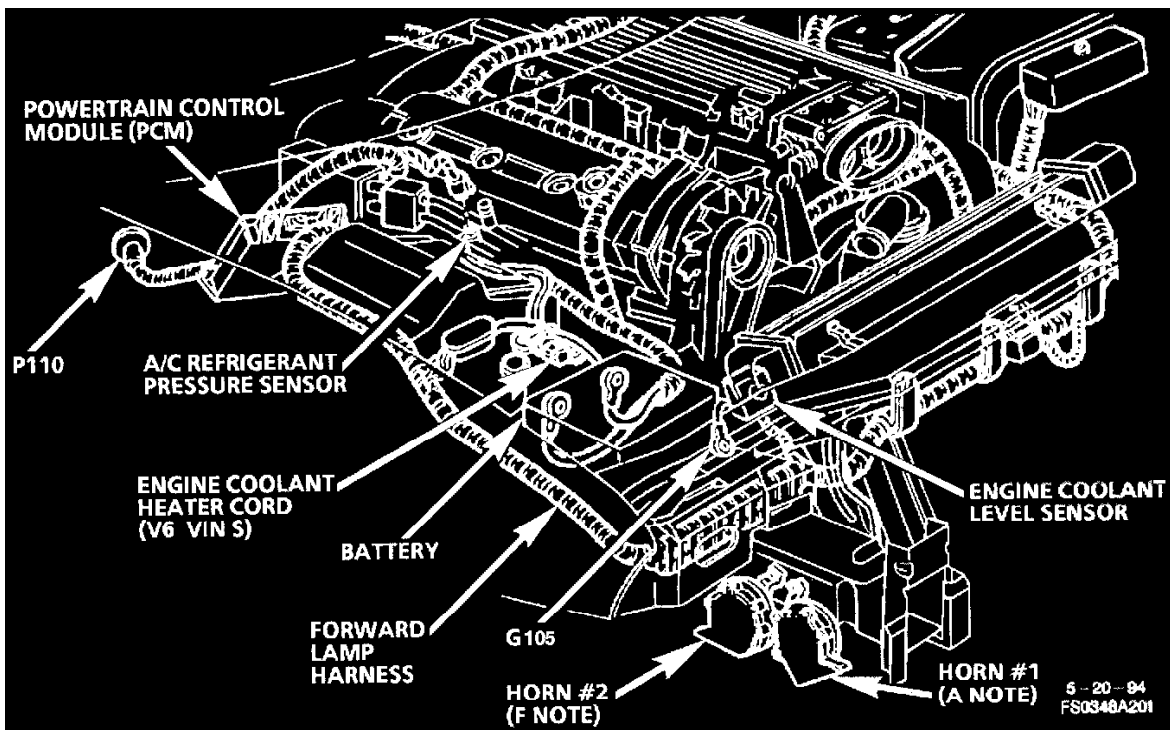
Center Of I/P



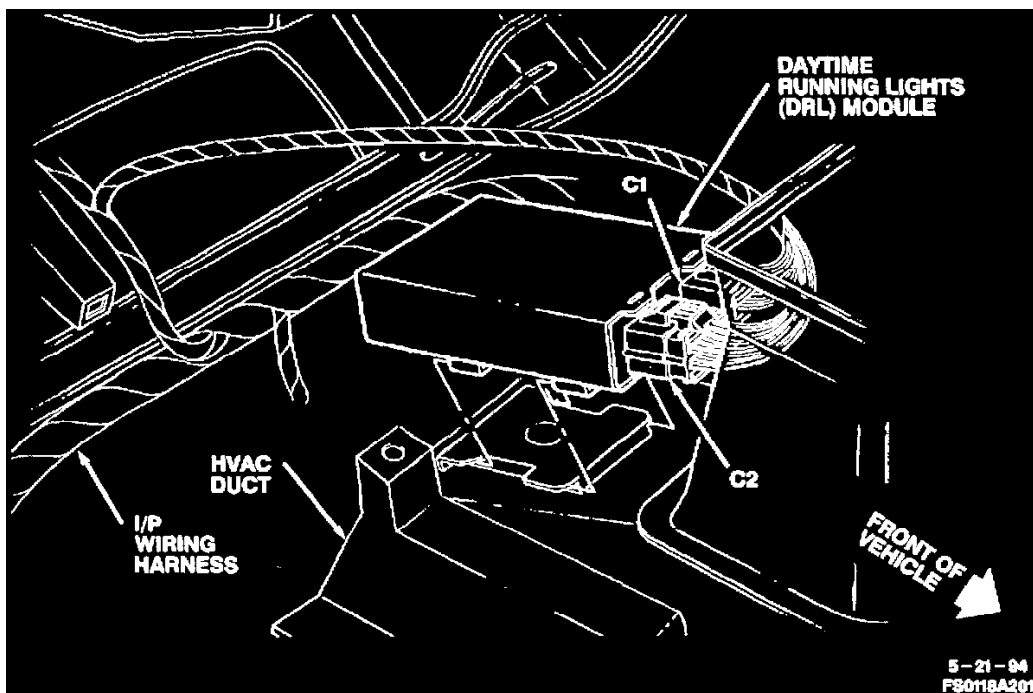
Behind LH Dash Mat



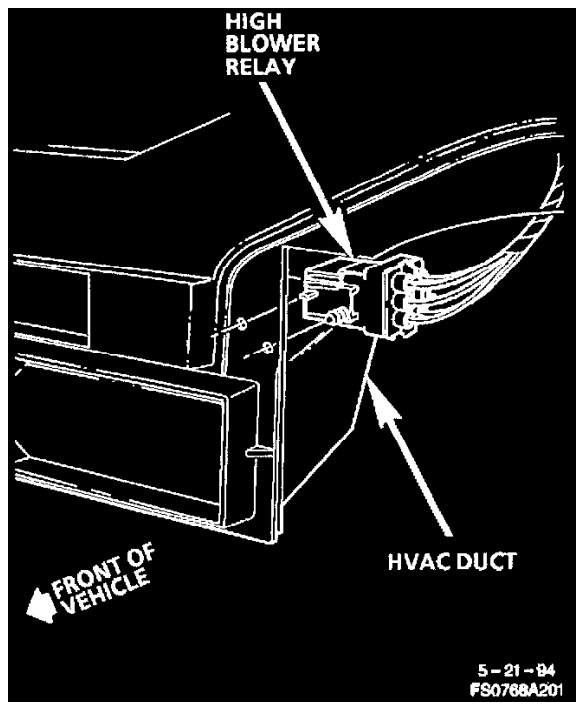
Engine Compartment (LT1, L32/L36 Similar)



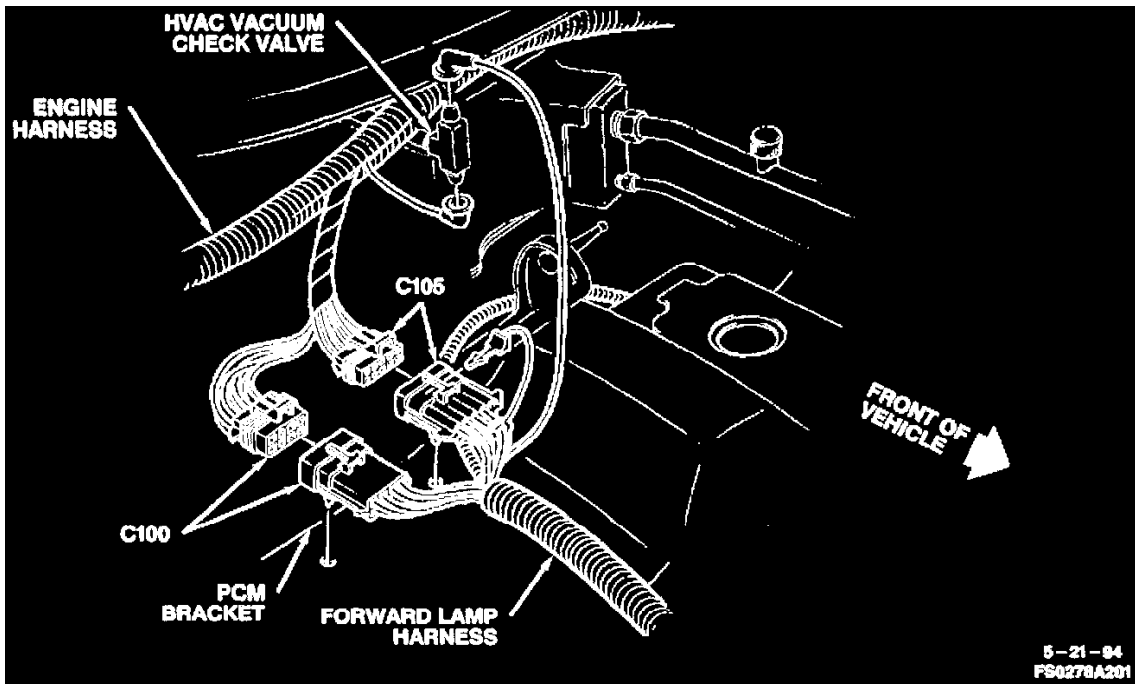
Engine Compartment (LT1, L32/L36 Similar)



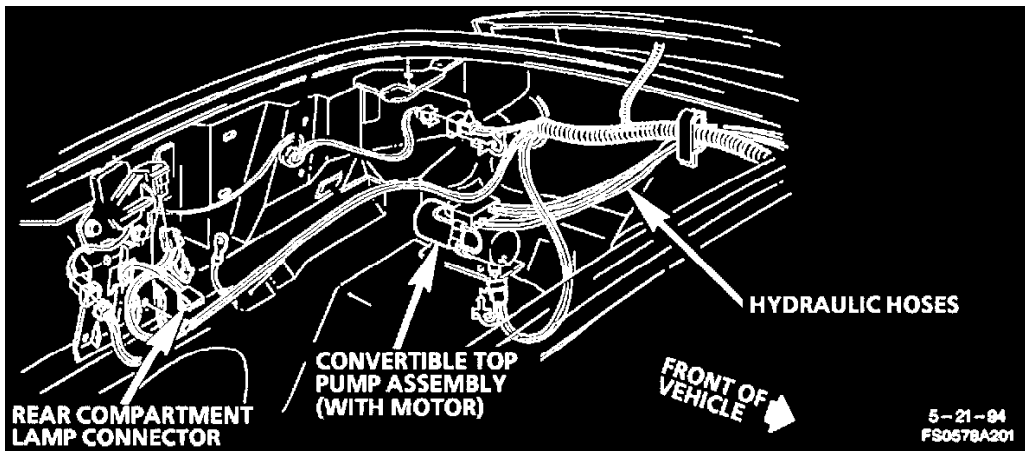
Under Center Of I/P



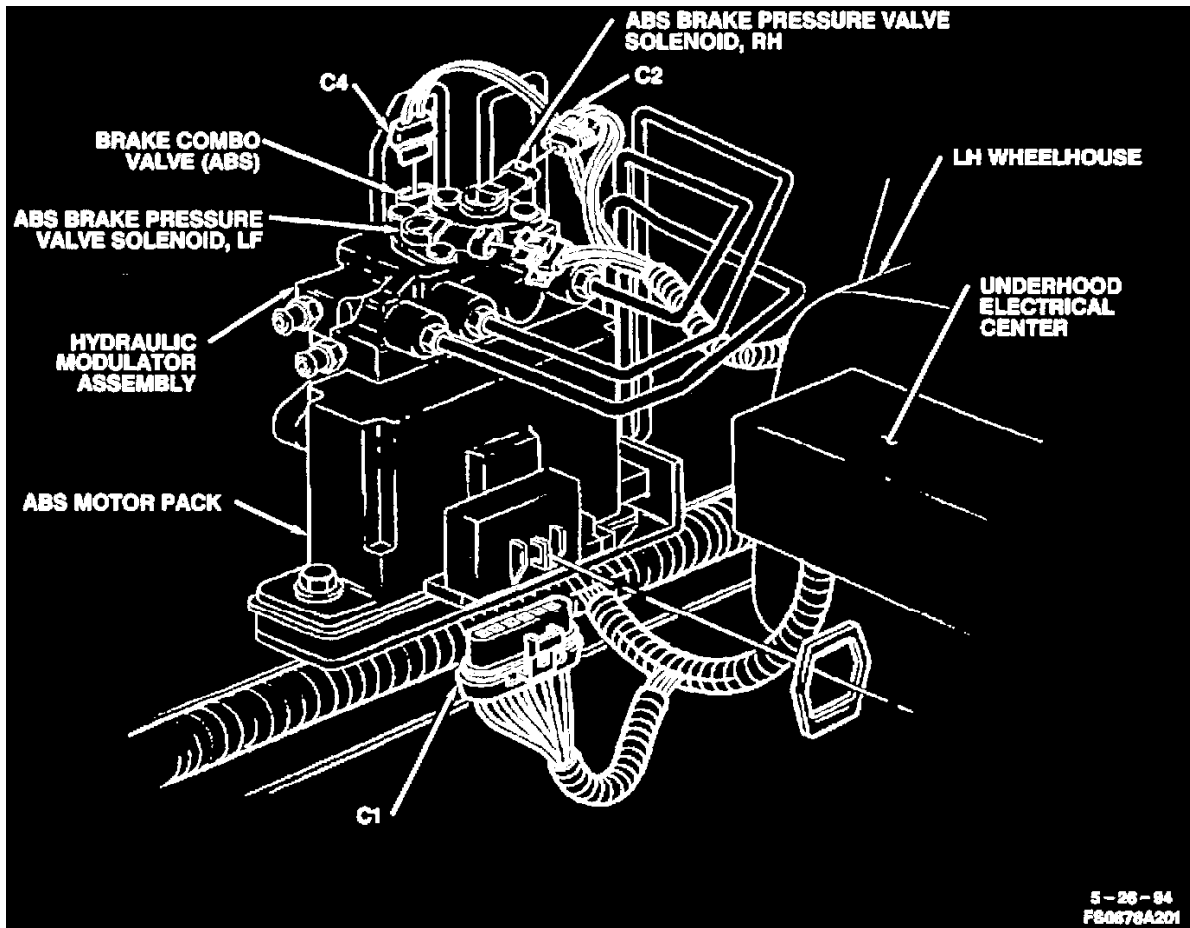
Above Left Side Of Floor Tunnel



Right Rear Of Engine Compartment

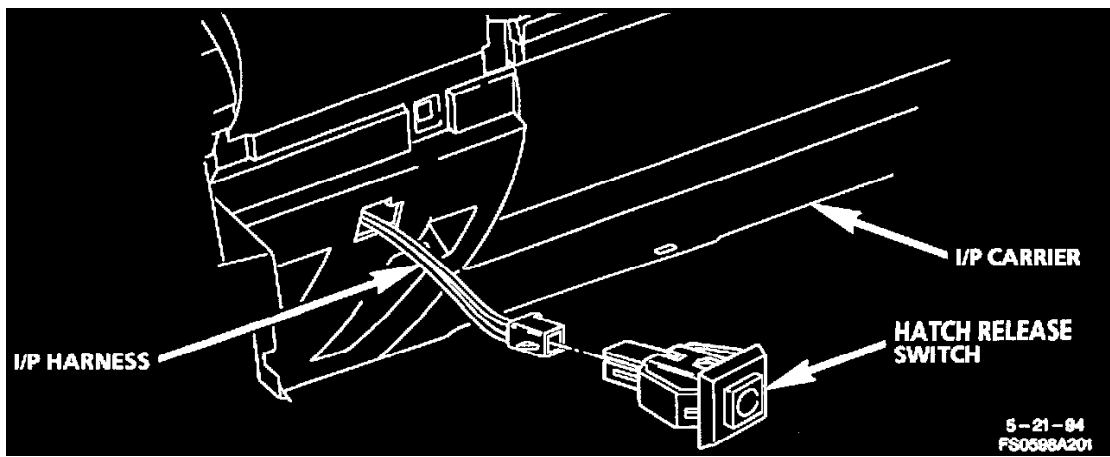


LH Rear Cargo Compartment (Convertible)

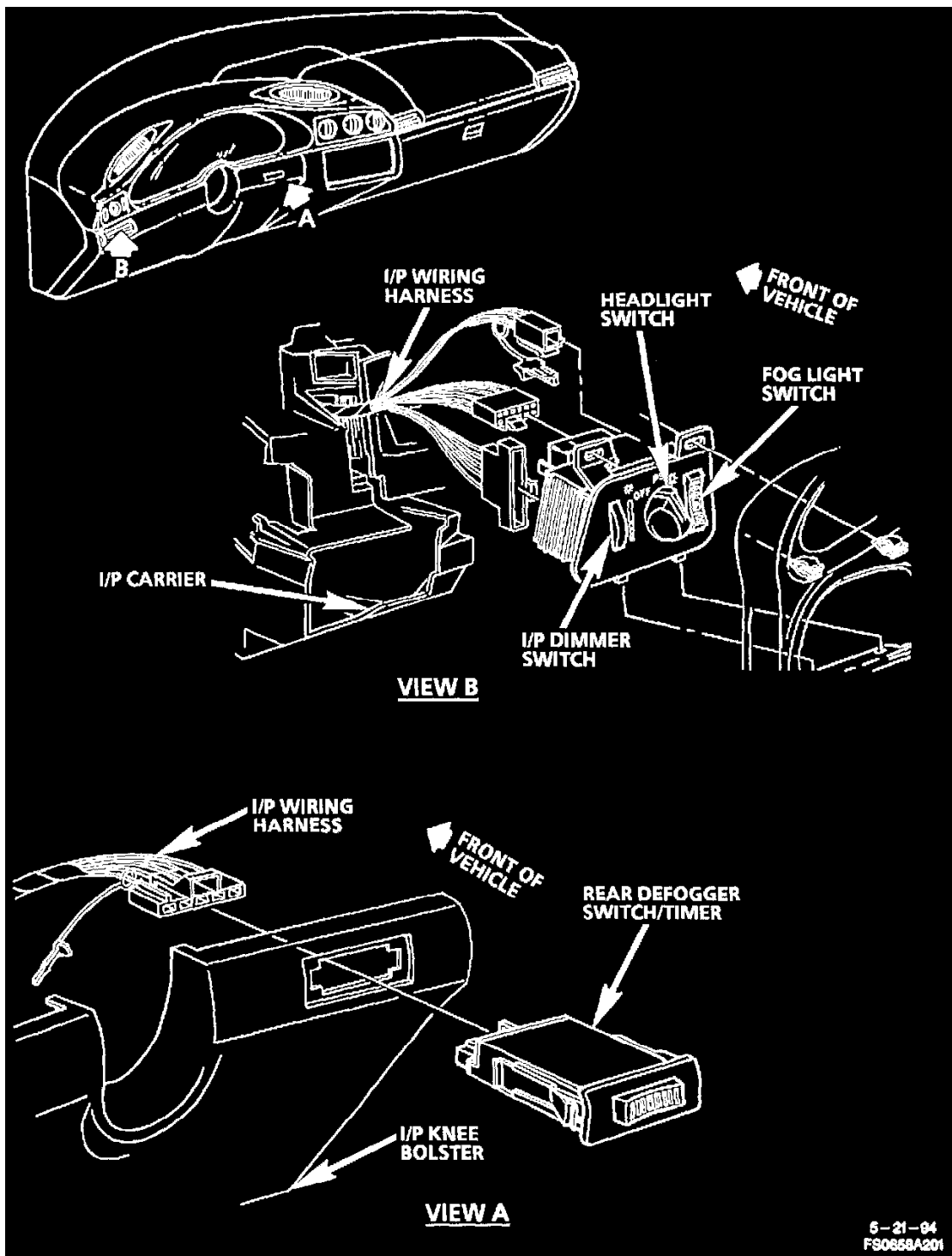


Front LH Side Of Engine Compartment



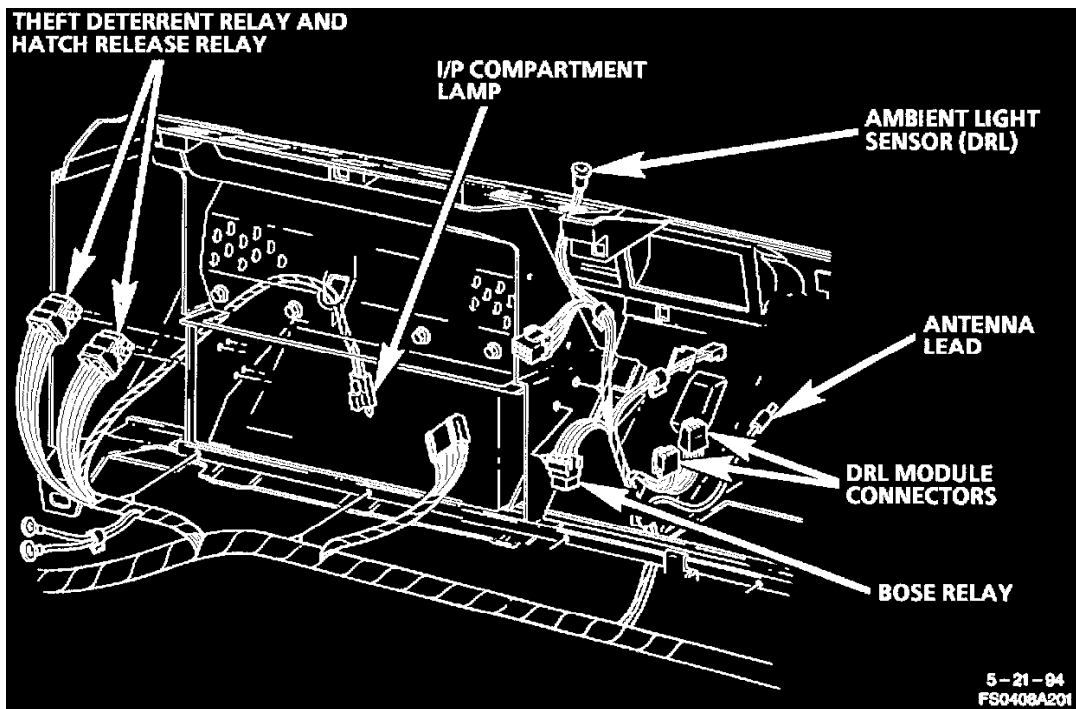


Behind I/P Compartment Door

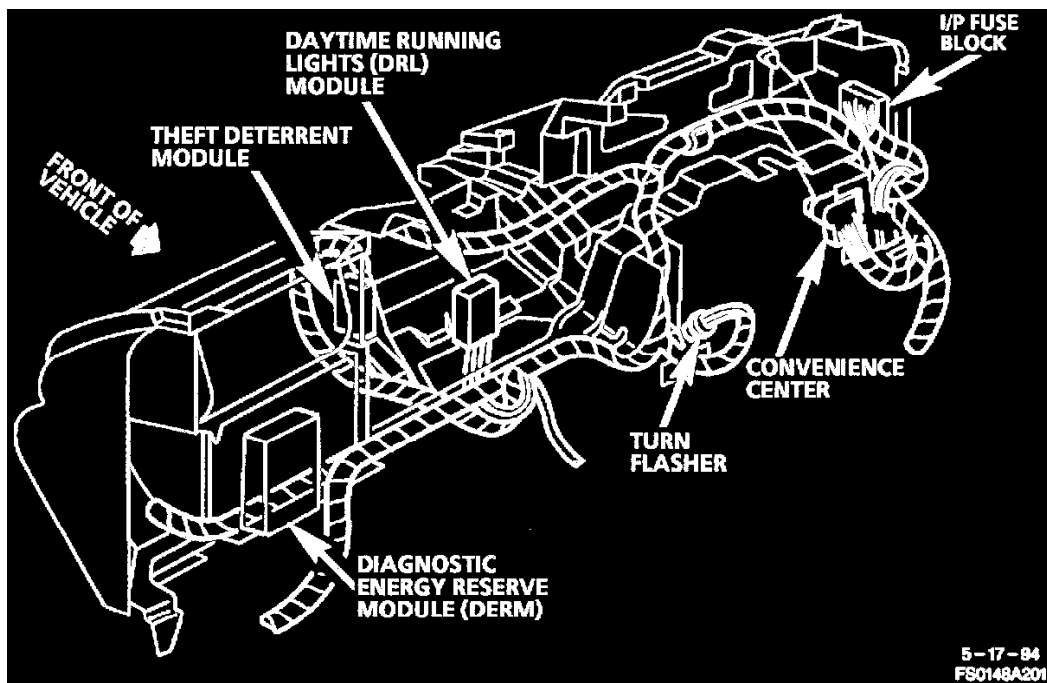


6-21-94  
F90868A201

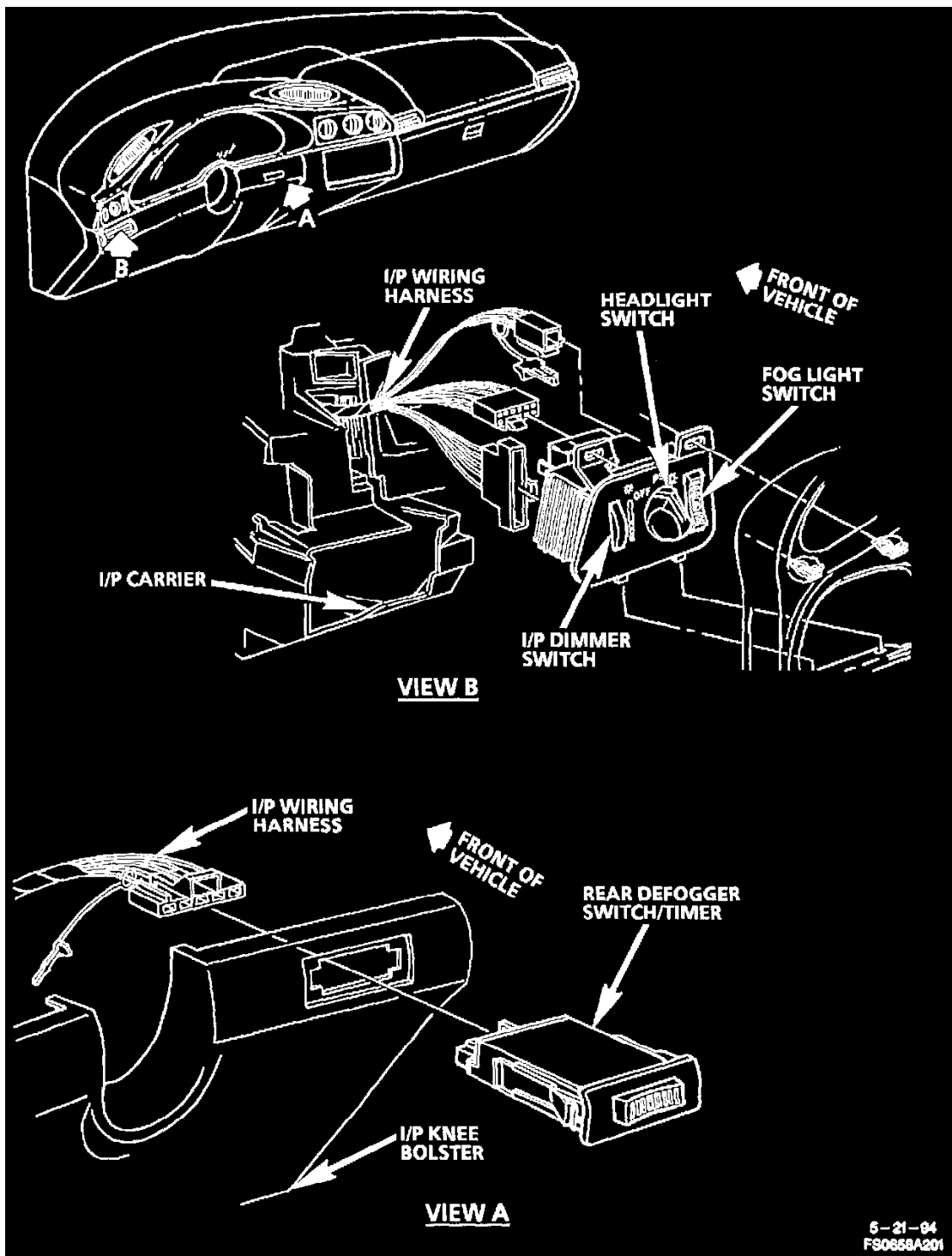
LH Side Of I/P



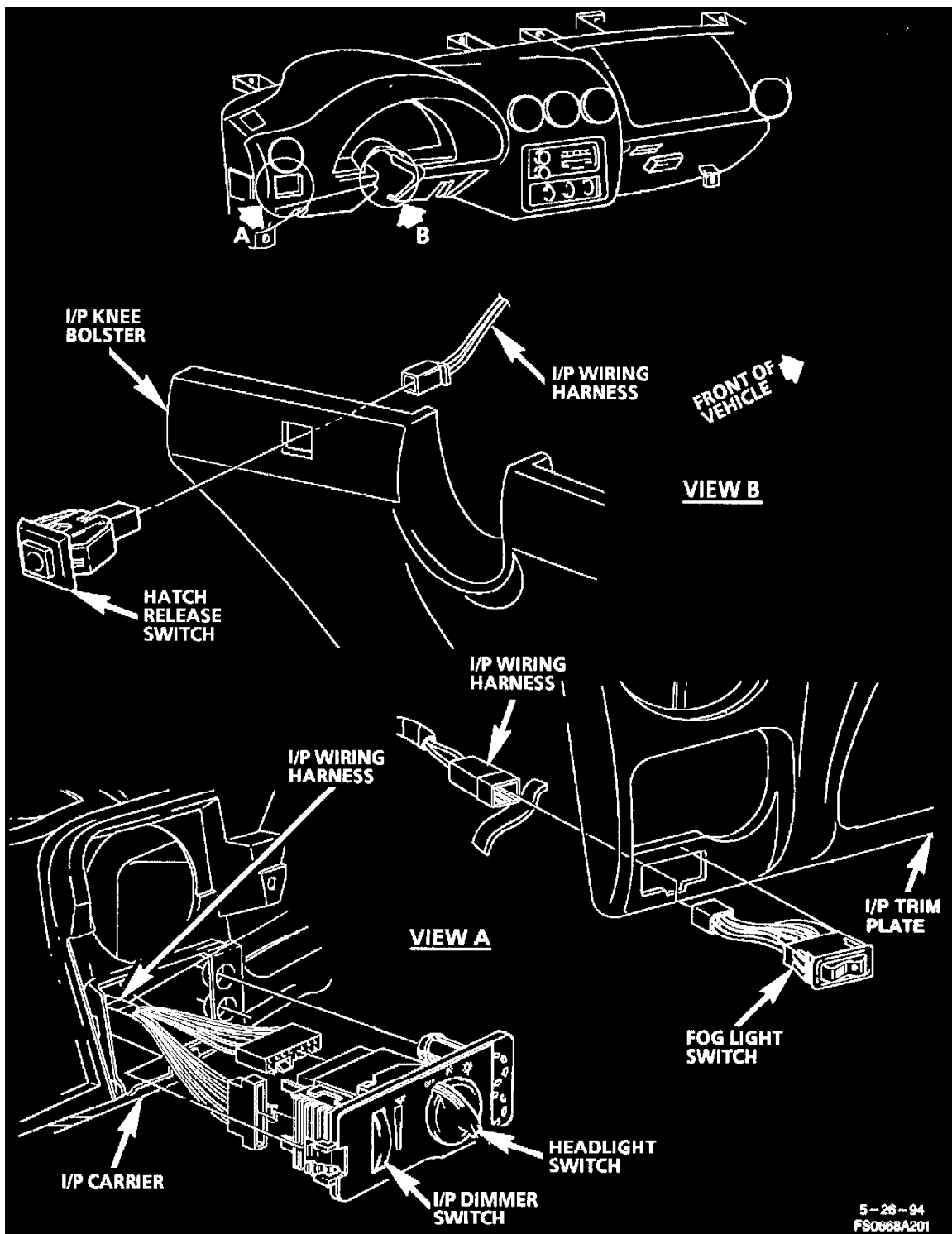
Behind RH Side Of I/P



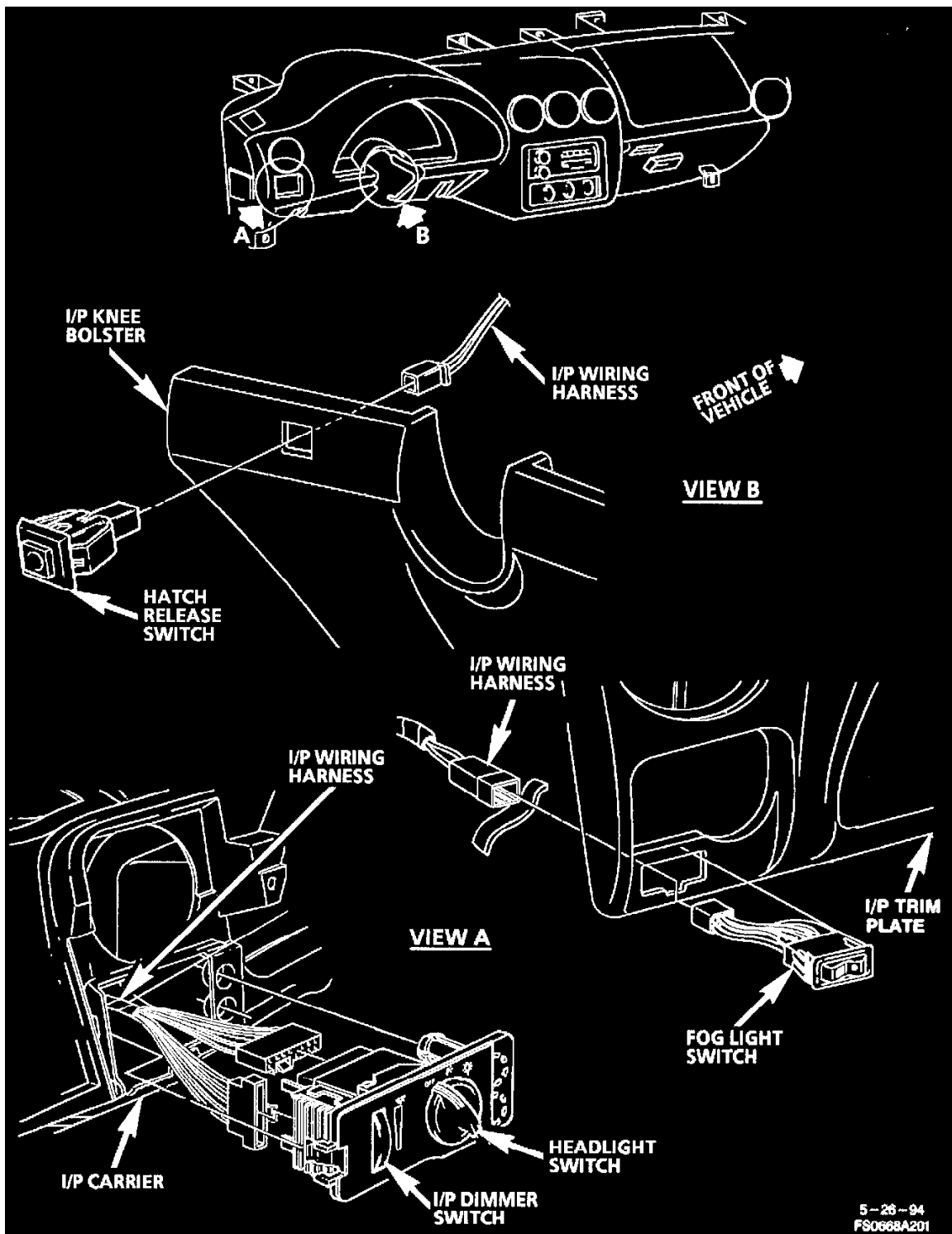
Rear View Of I/P Carrier



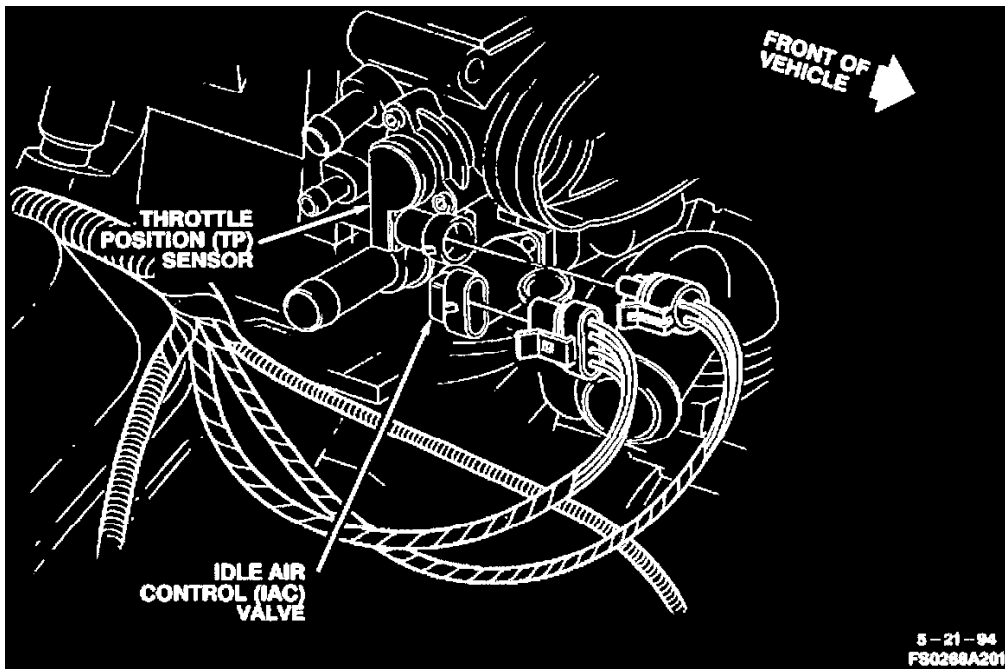
LH Side Of I/P



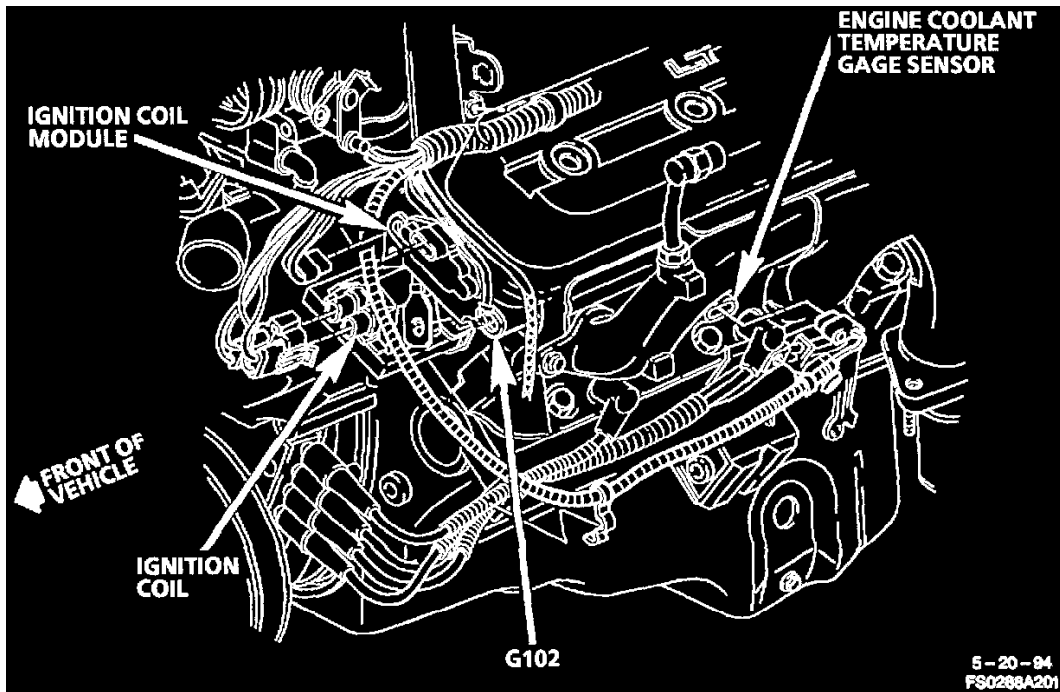
LH Side Of I/P



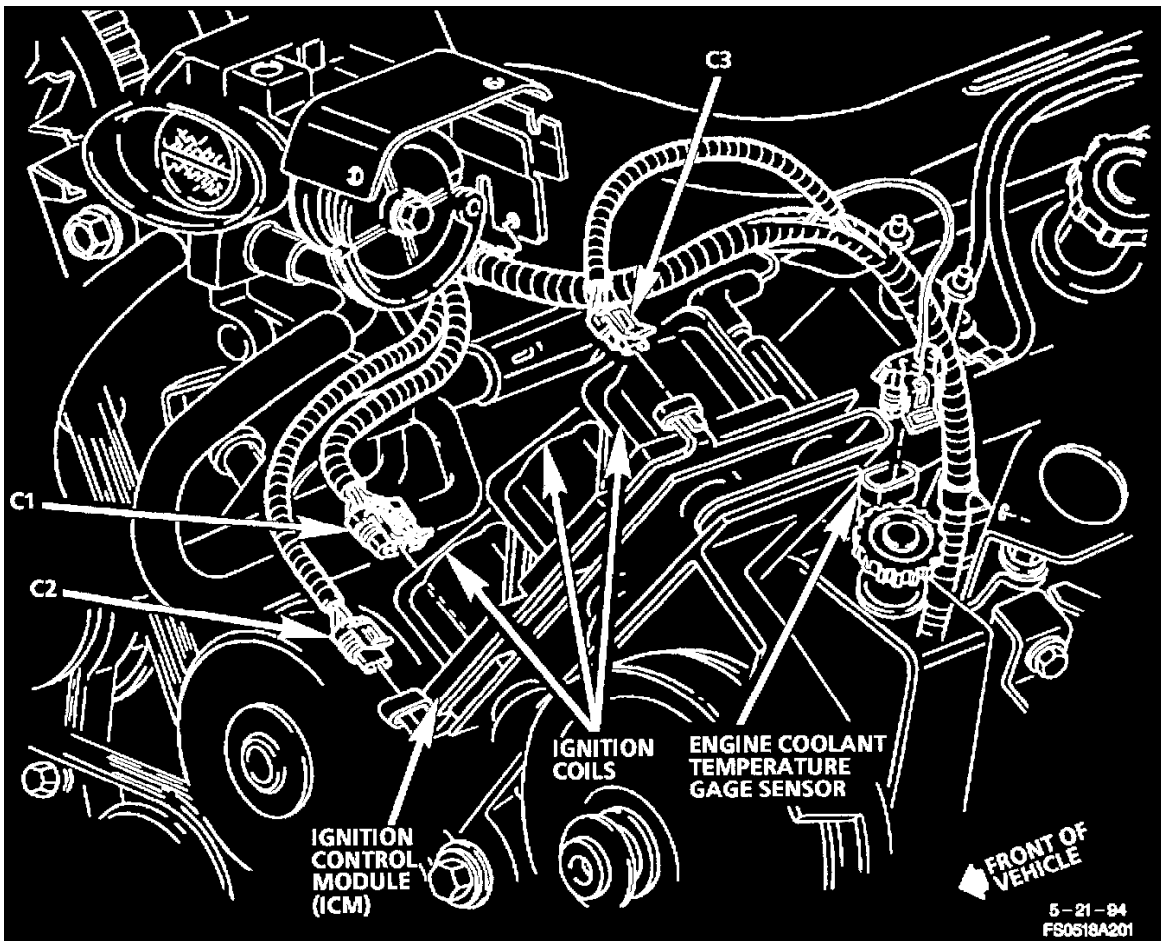
LH Side Of I/P



Top Front RH Side Of Engine

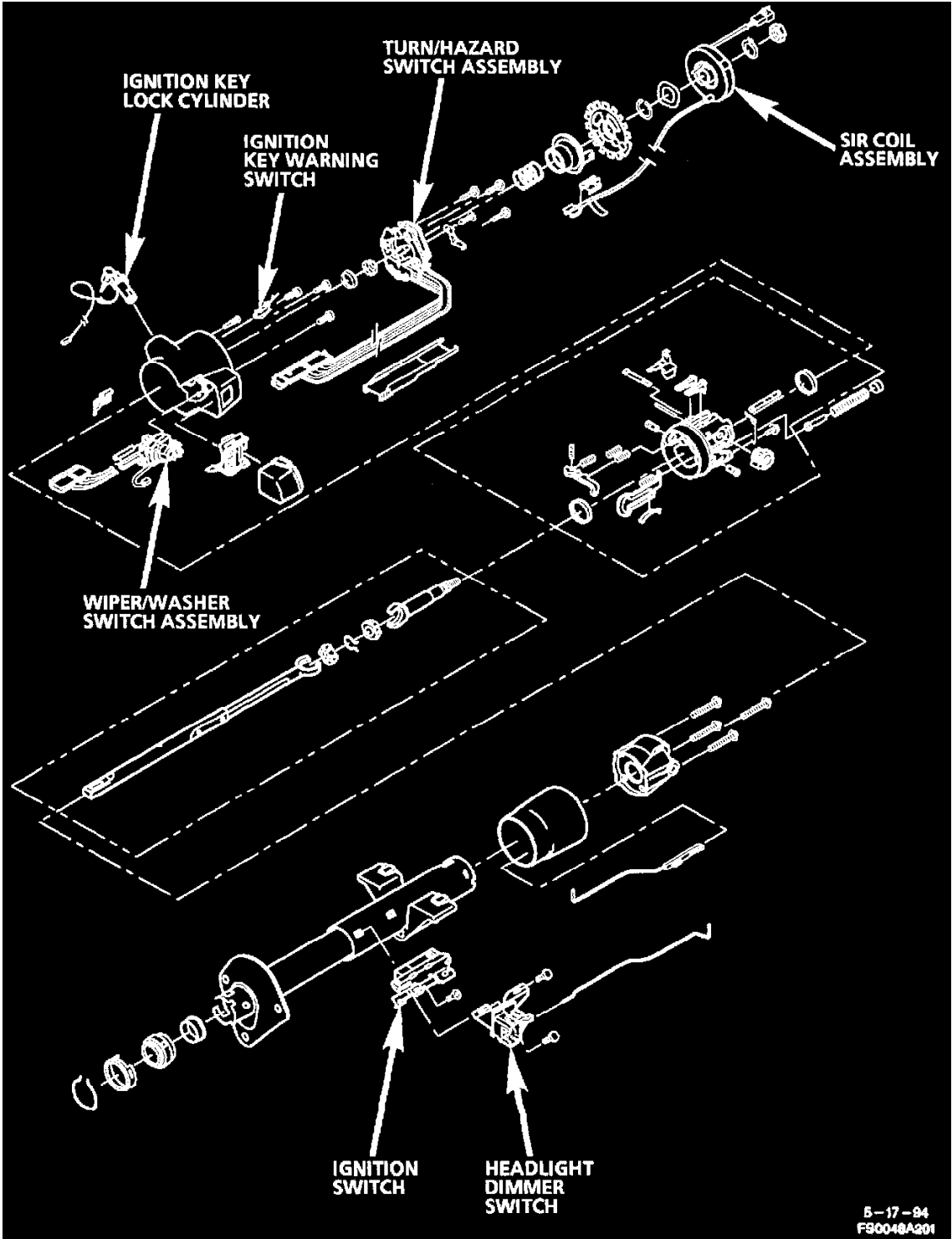


Front LH Side Of Engine

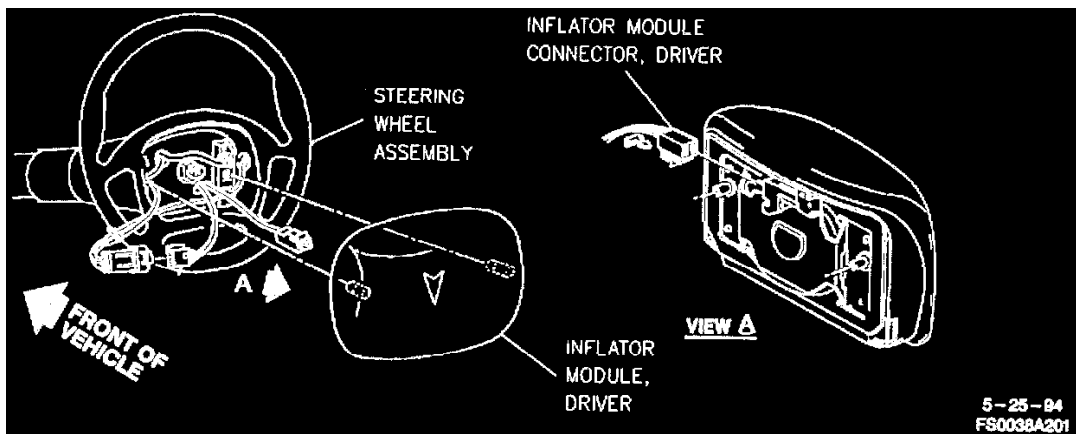


Top Front LH Side Of Engine

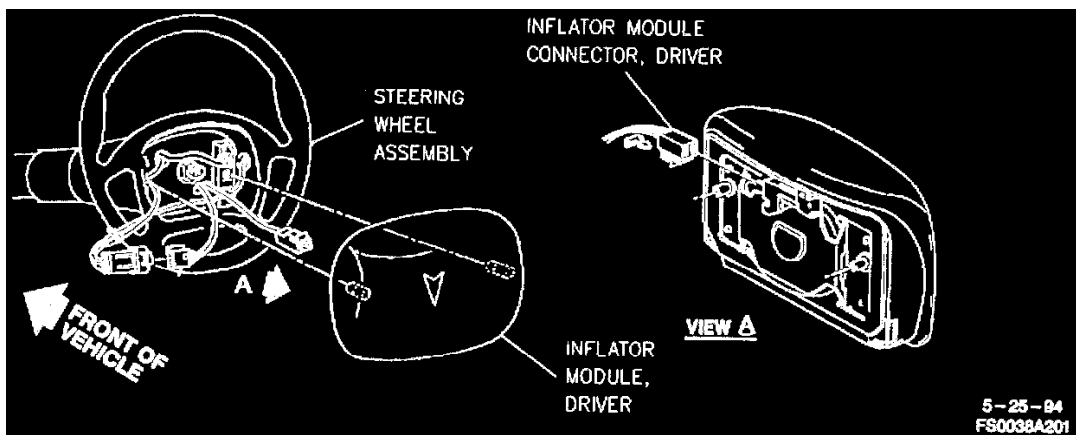




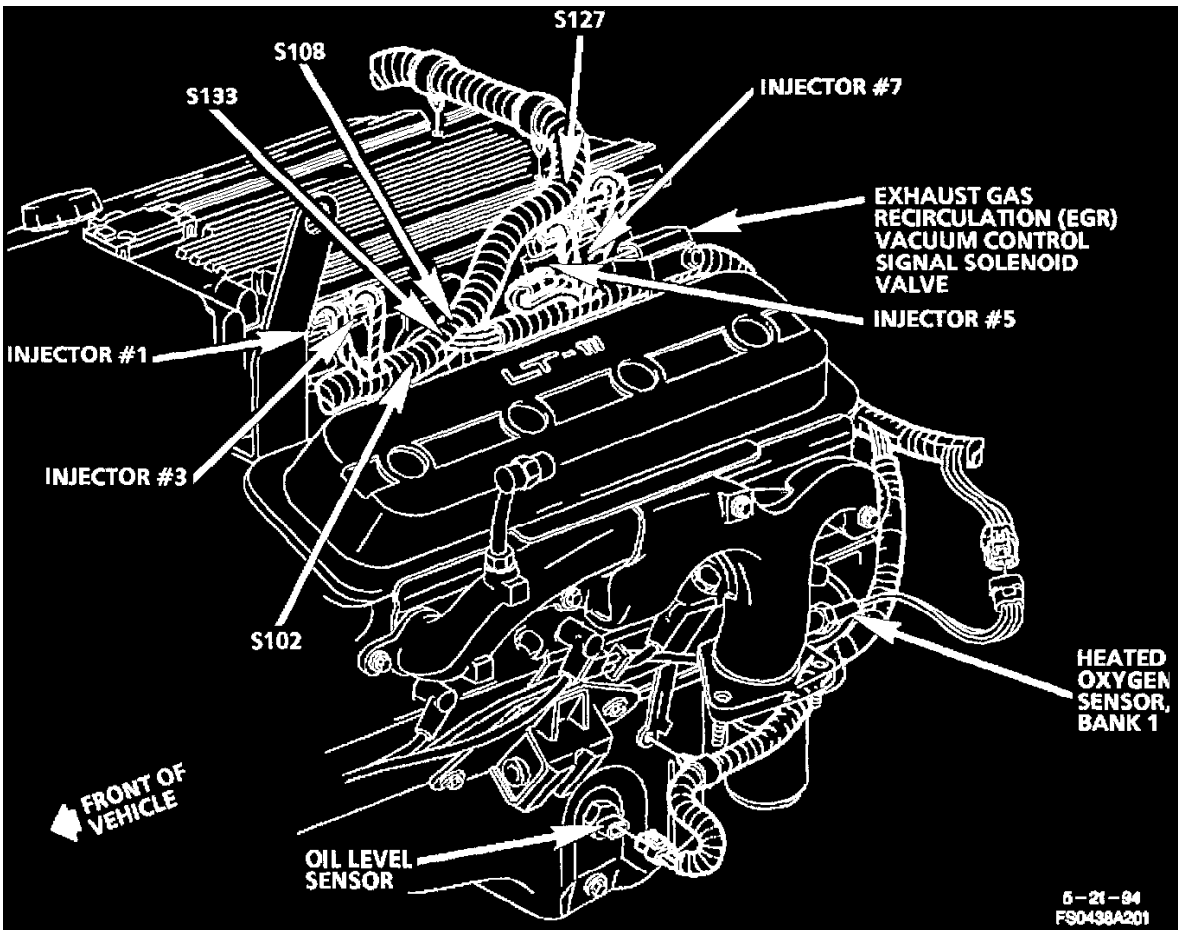
Steering Column Internals



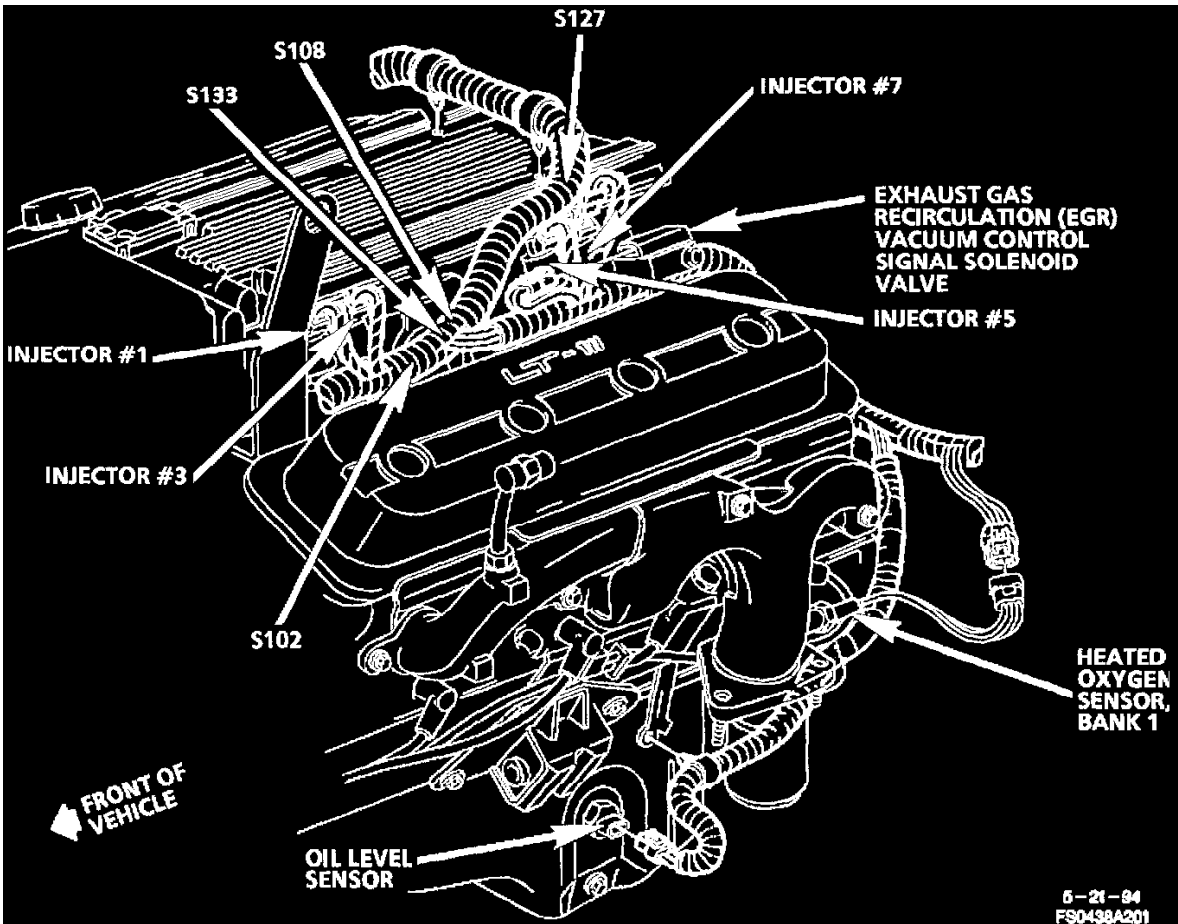
Steering Wheel Controls



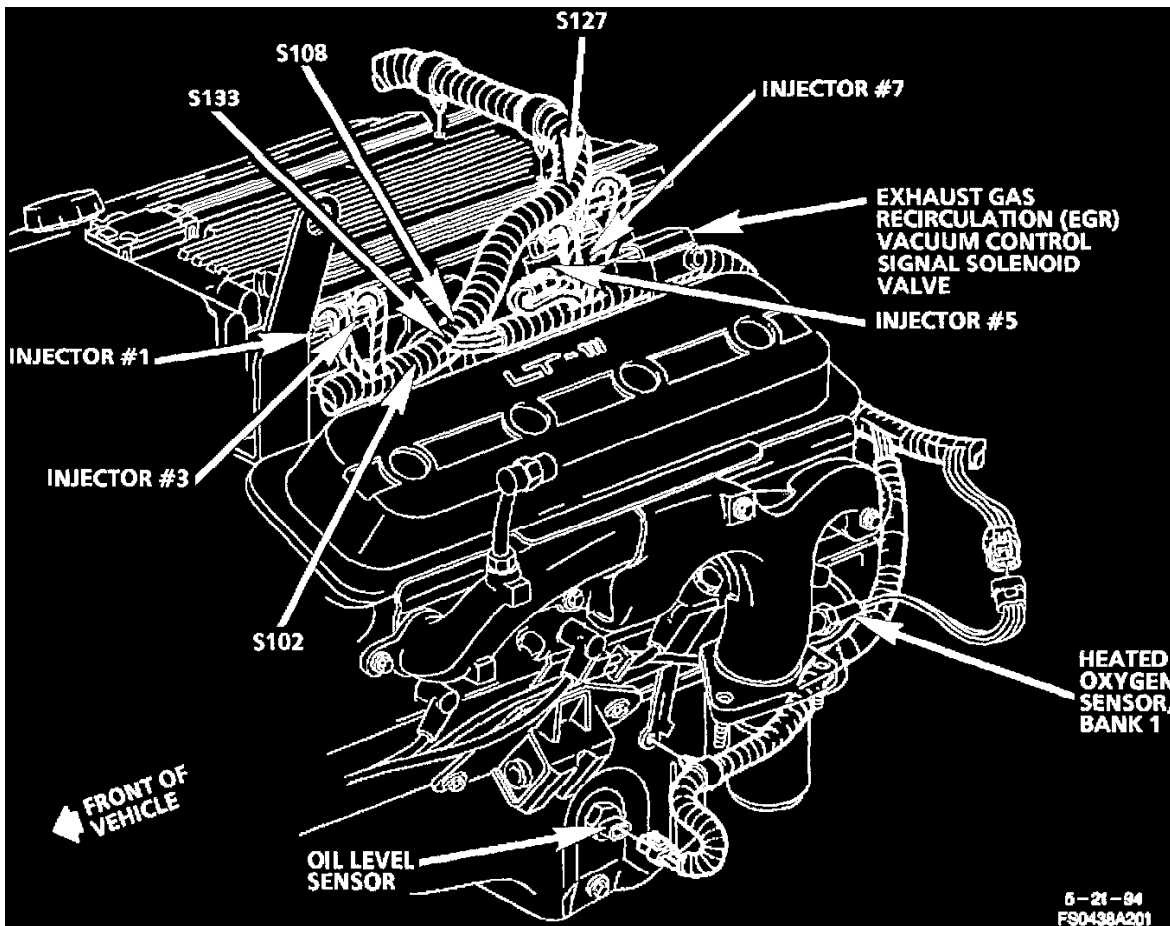
Steering Wheel Controls



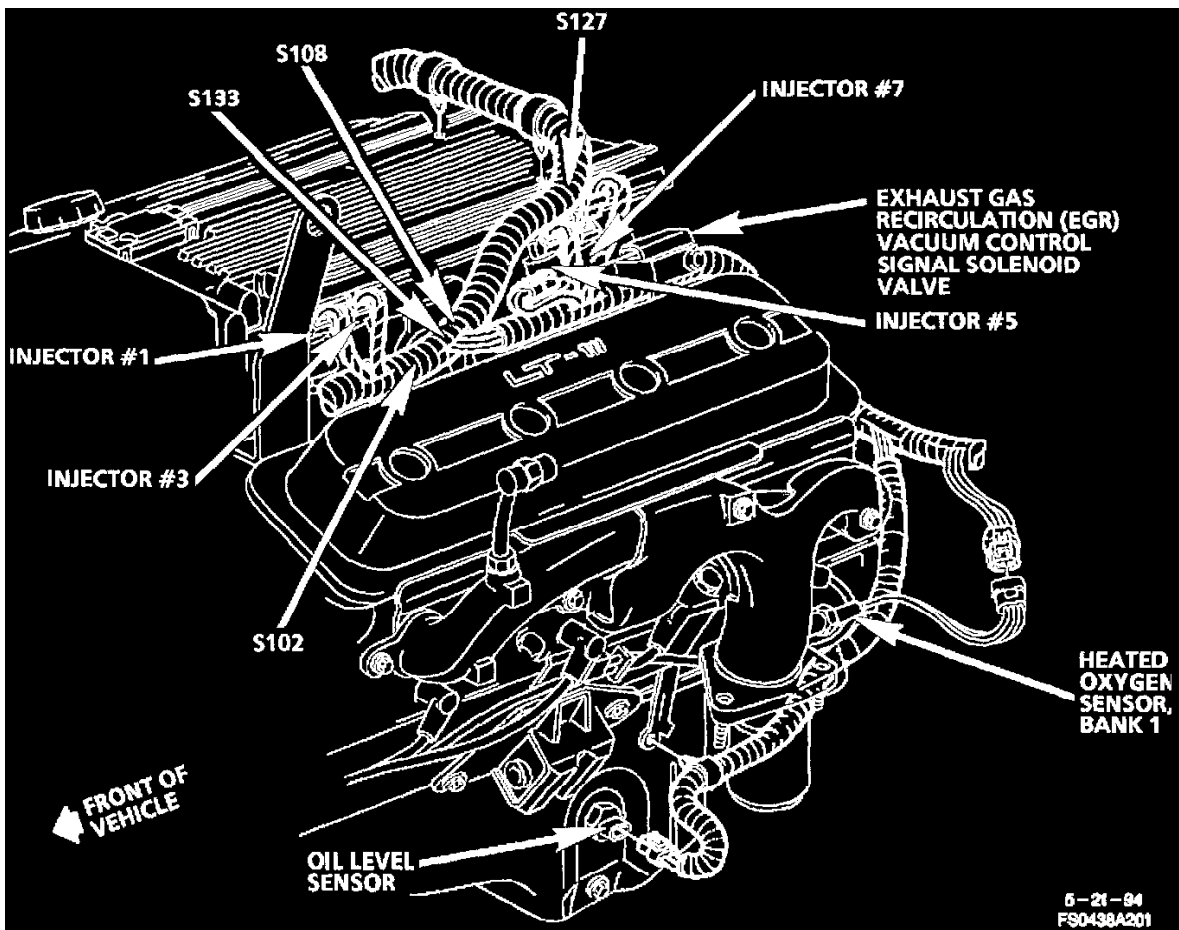
LH Side Of Engine



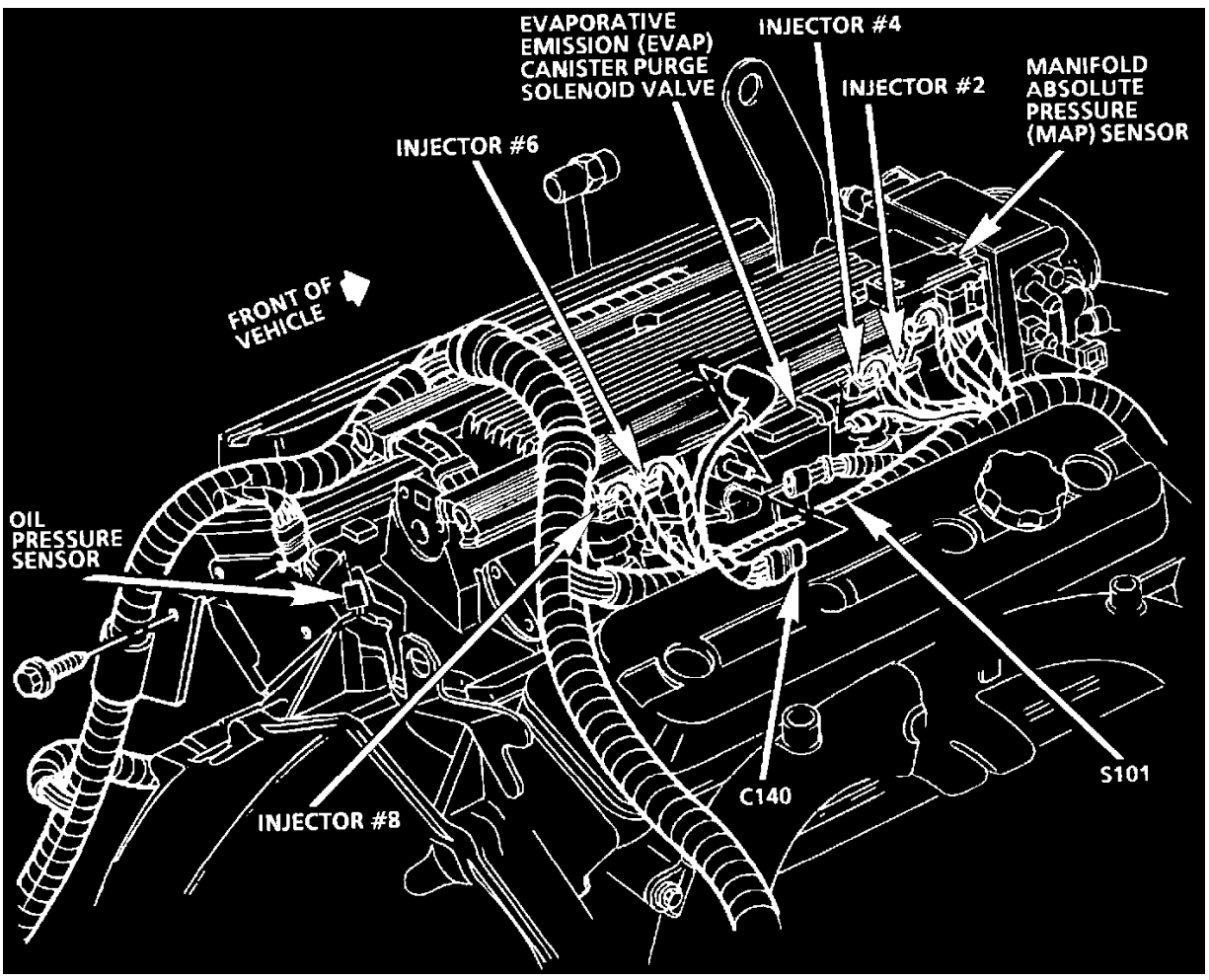
LH Side Of Engine



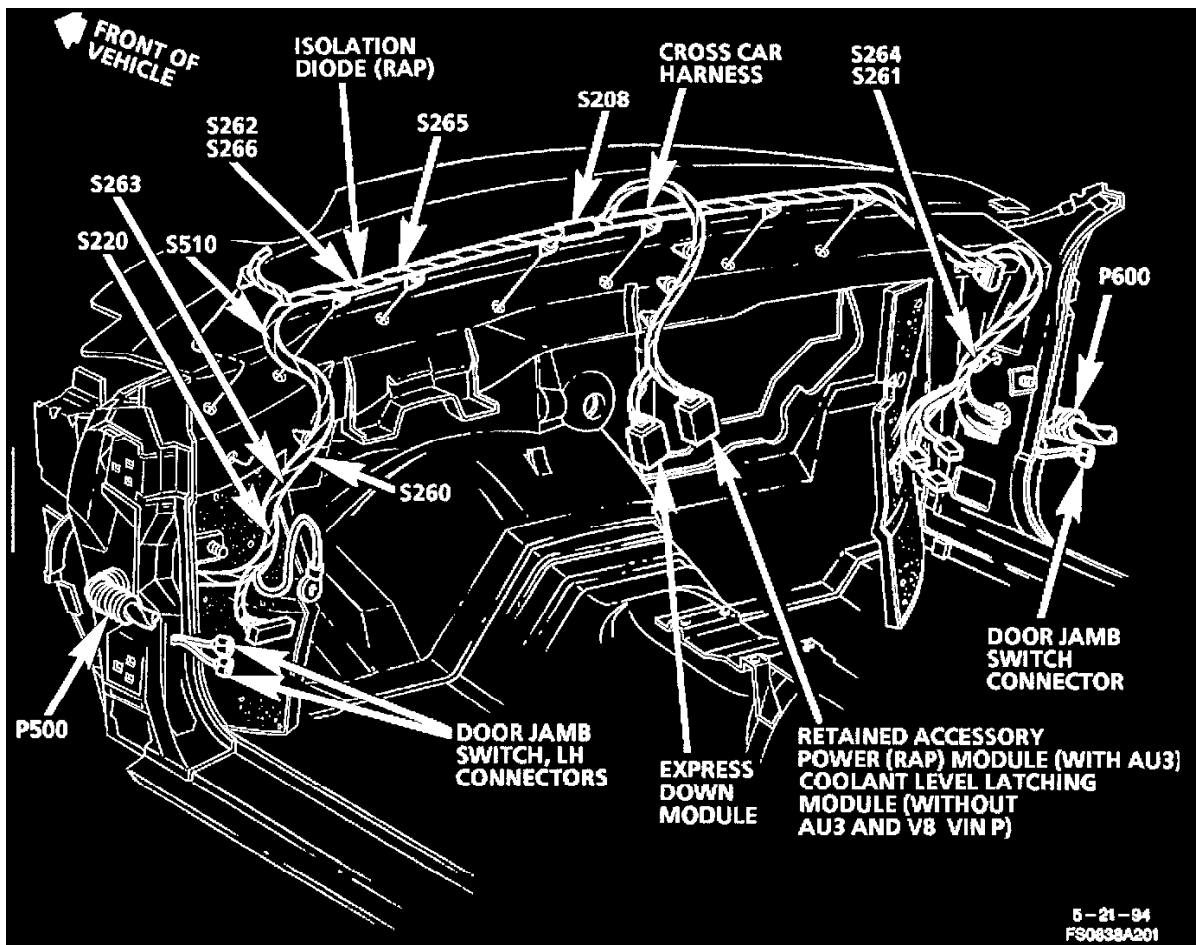
LH Side Of Engine



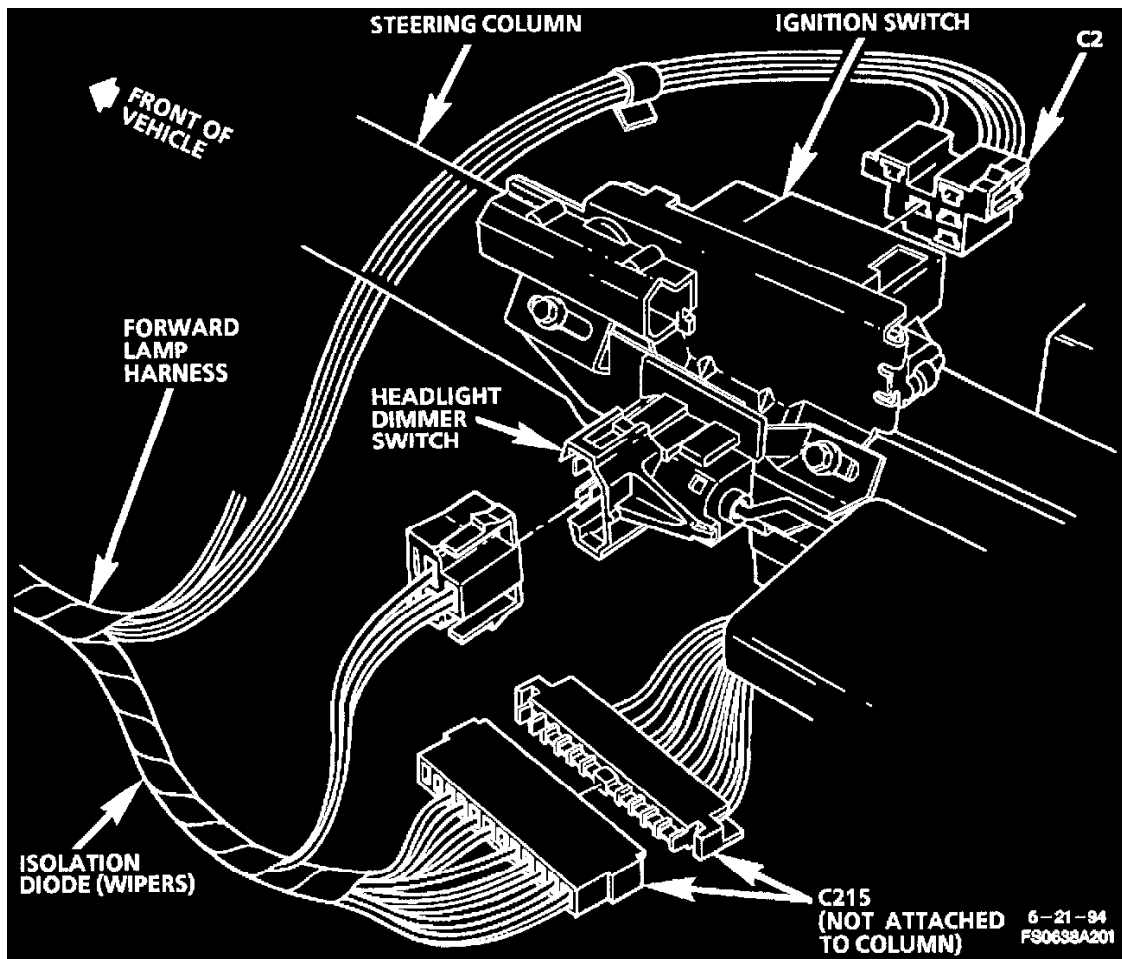
LH Side Of Engine



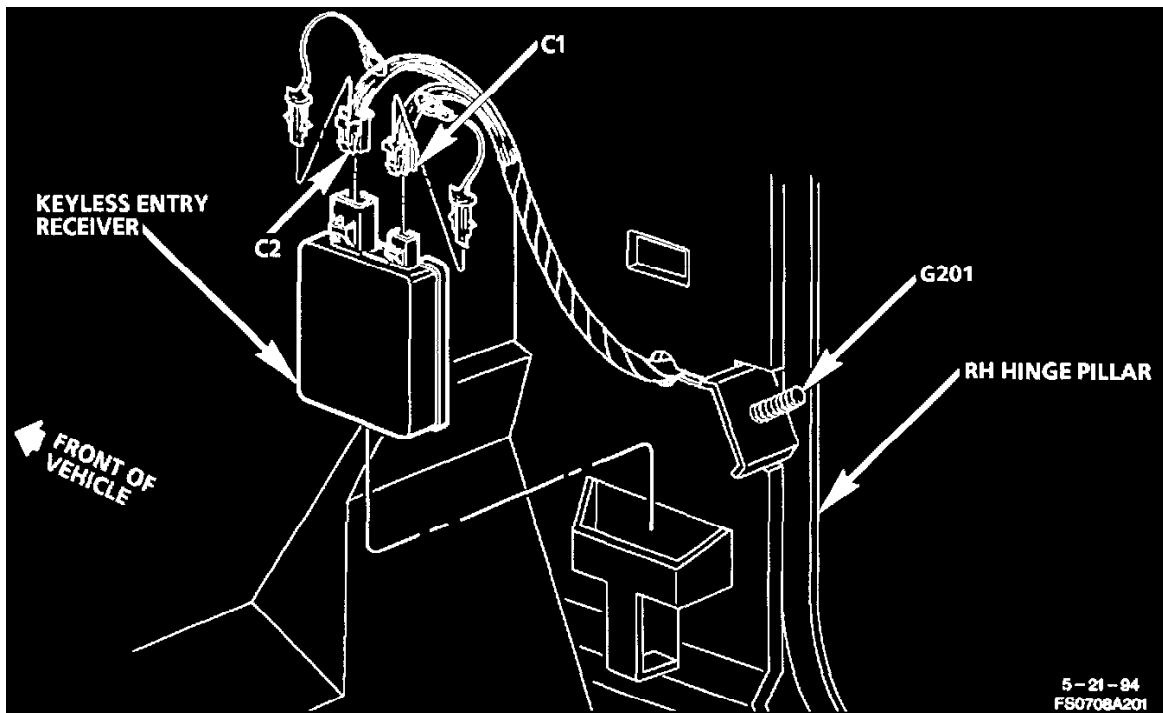
RH Side Of Engine



Dash Panel With Cross Car Harness

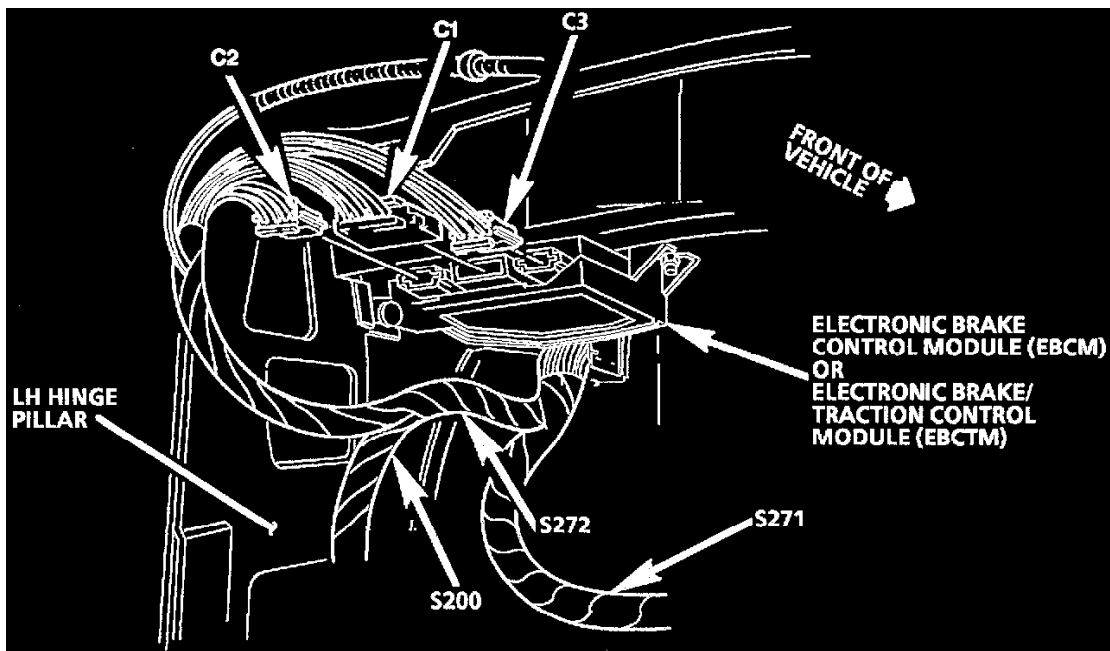


Bottom Of Steering Column

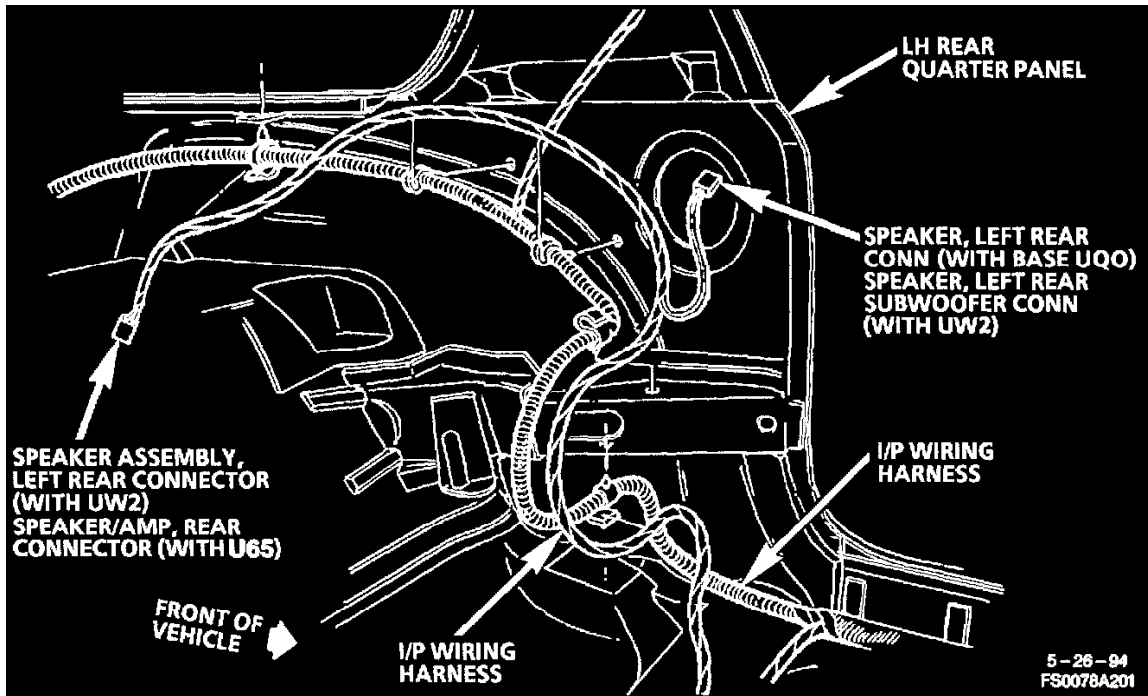


Behind RH Kick Panel

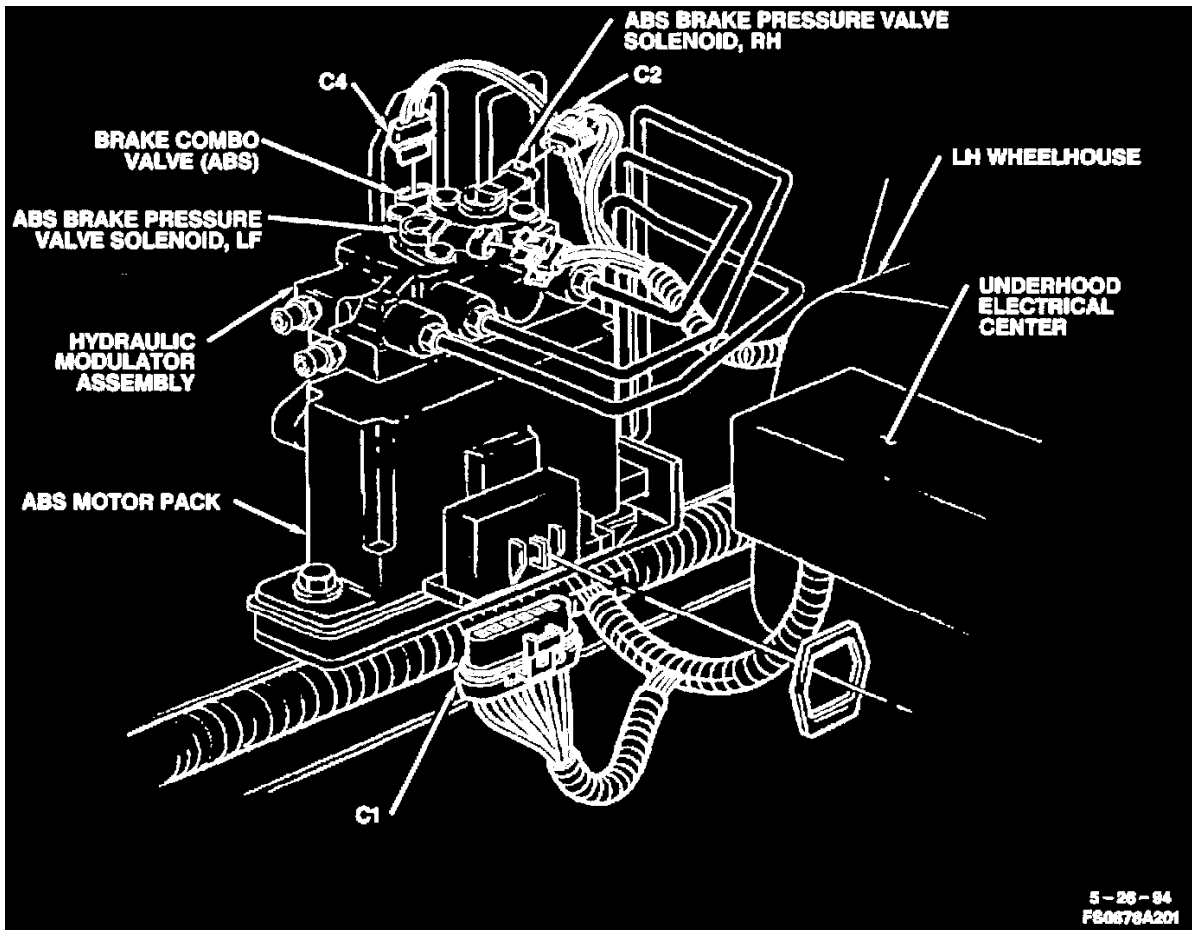




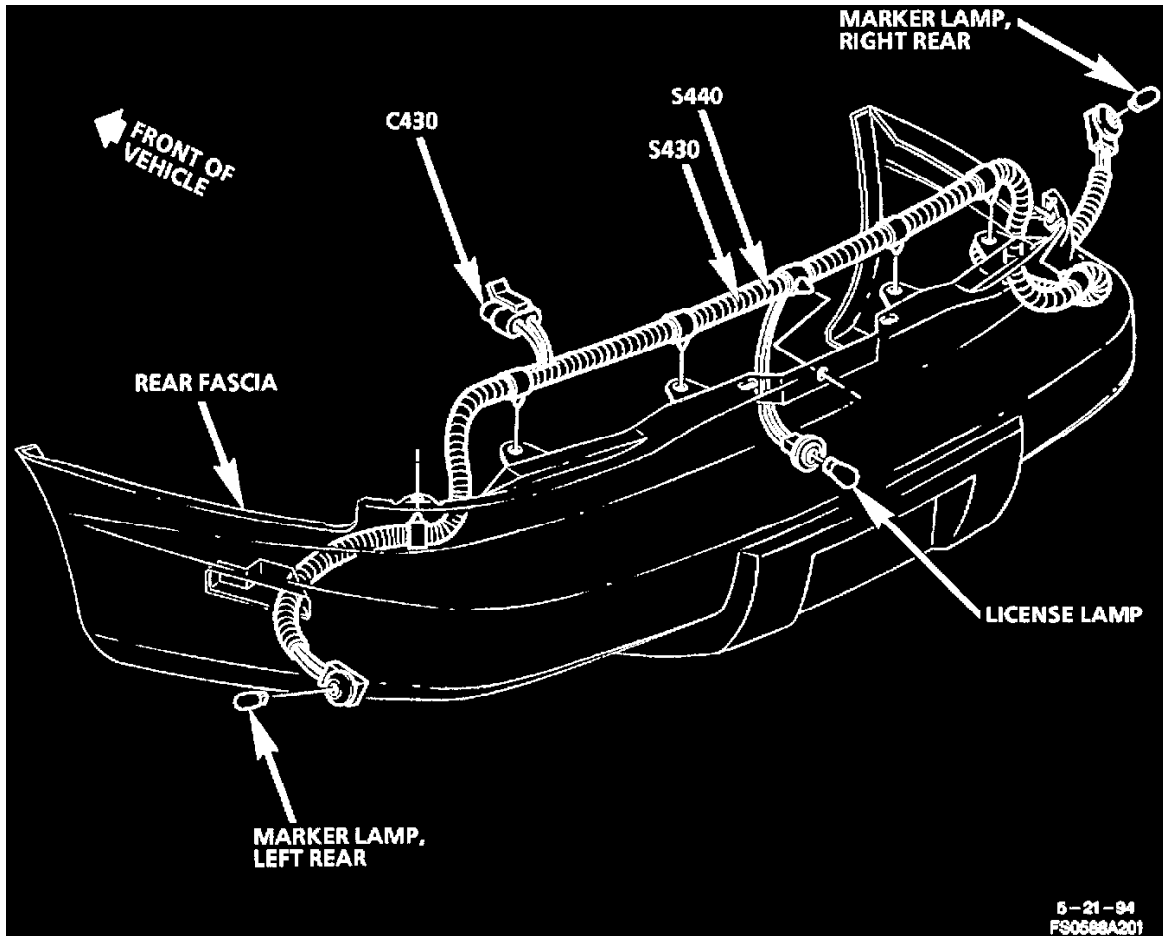
Under LH Side Of I/P



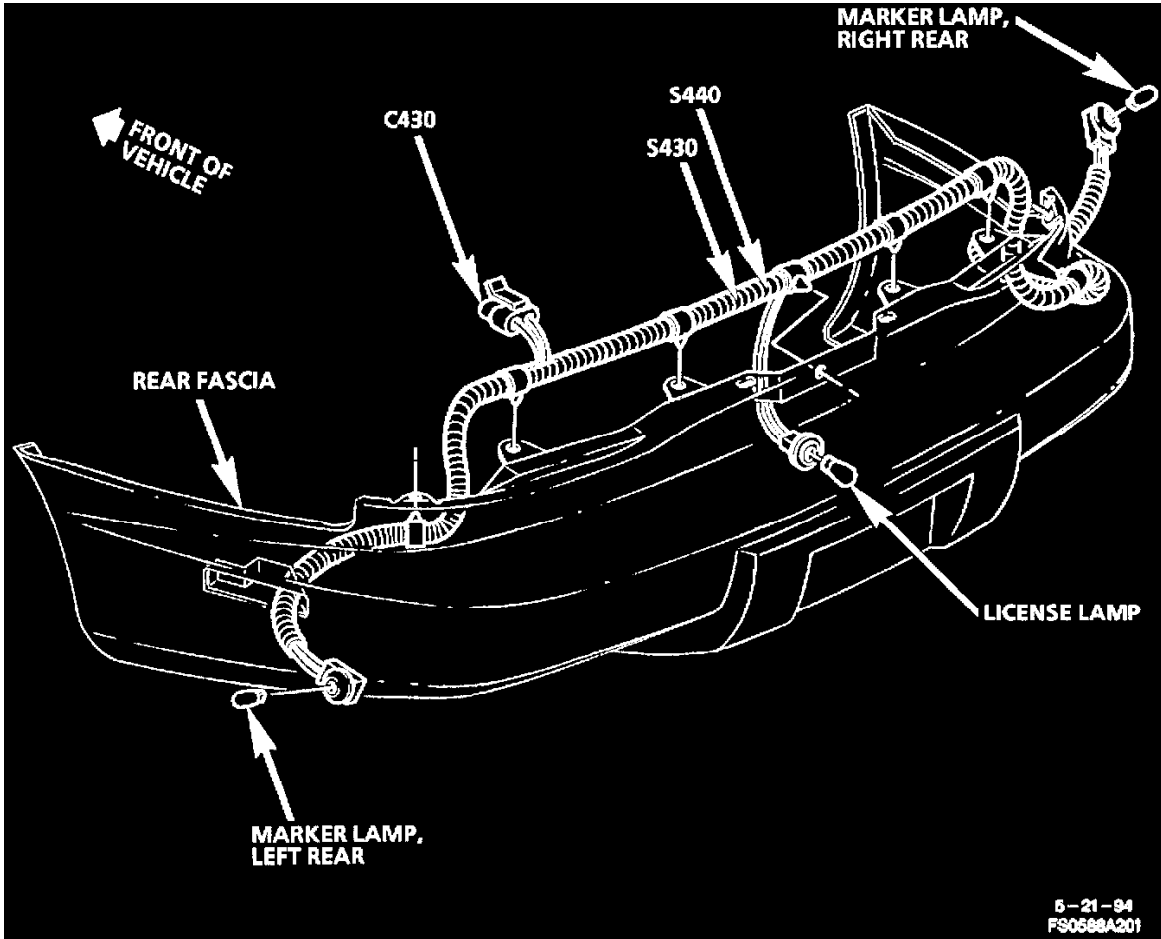
LH Rear Quarter Panel



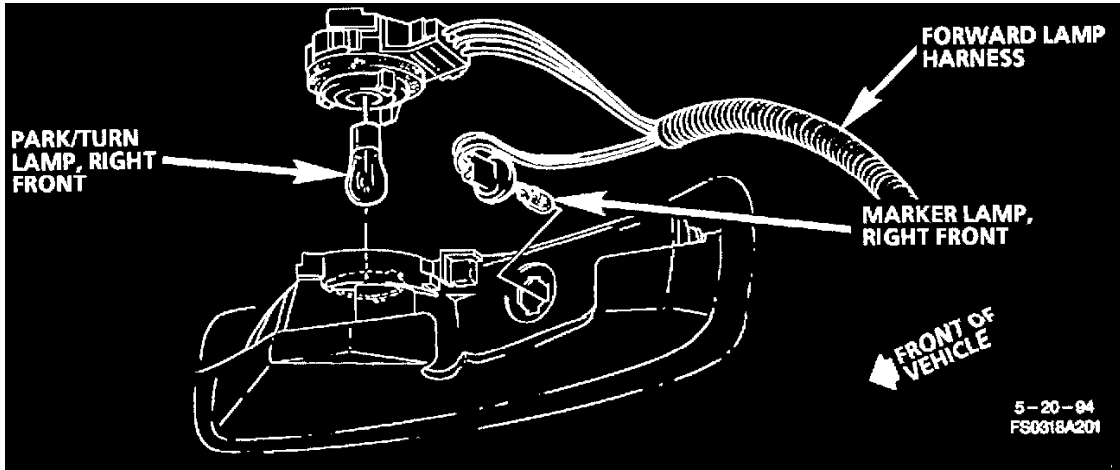
Front LH Side Of Engine Compartment



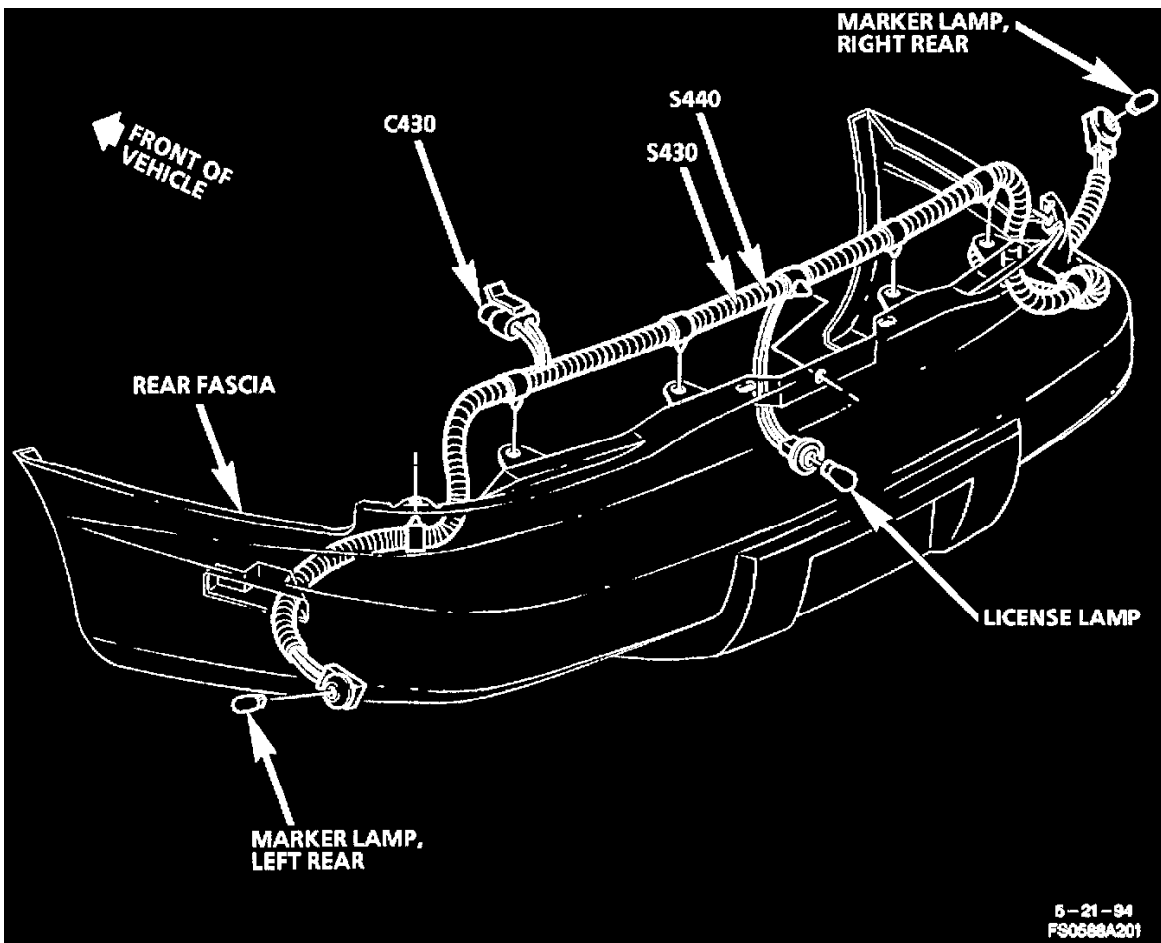
Rear Fascia



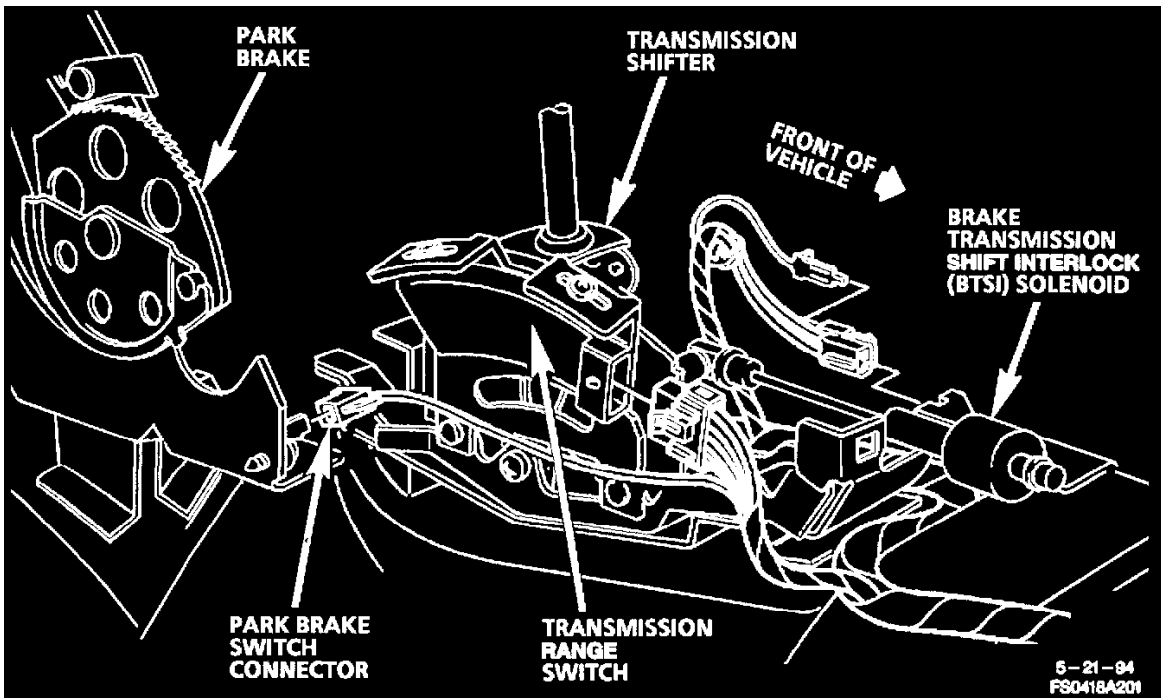
Rear Fascia



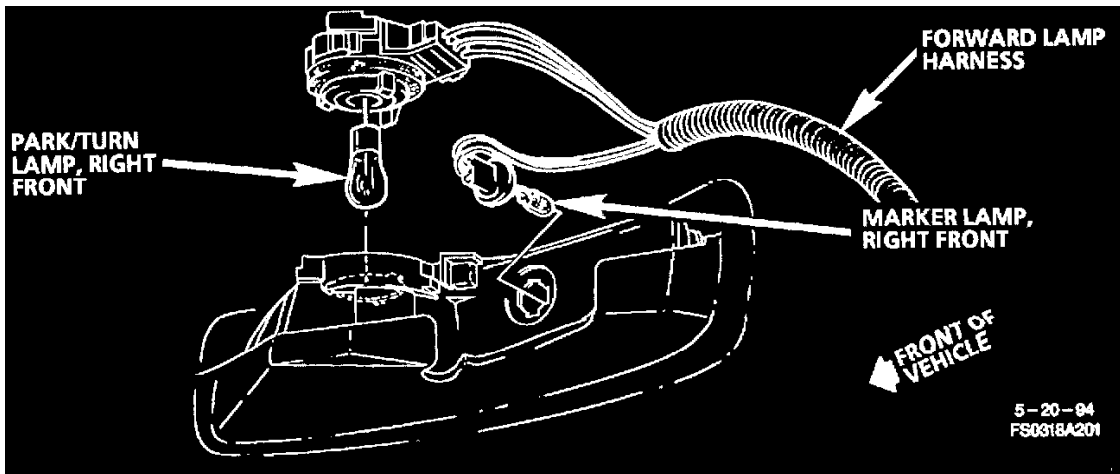
RH Side Of Front Fascia (LH Similar)



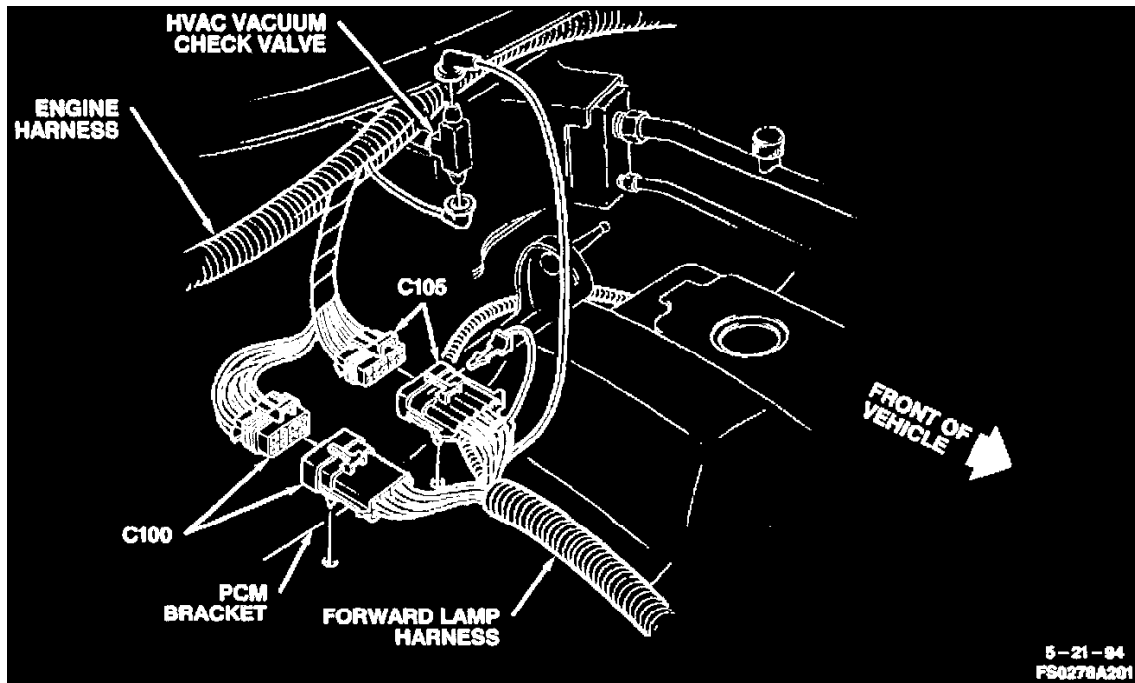
Rear Fascia



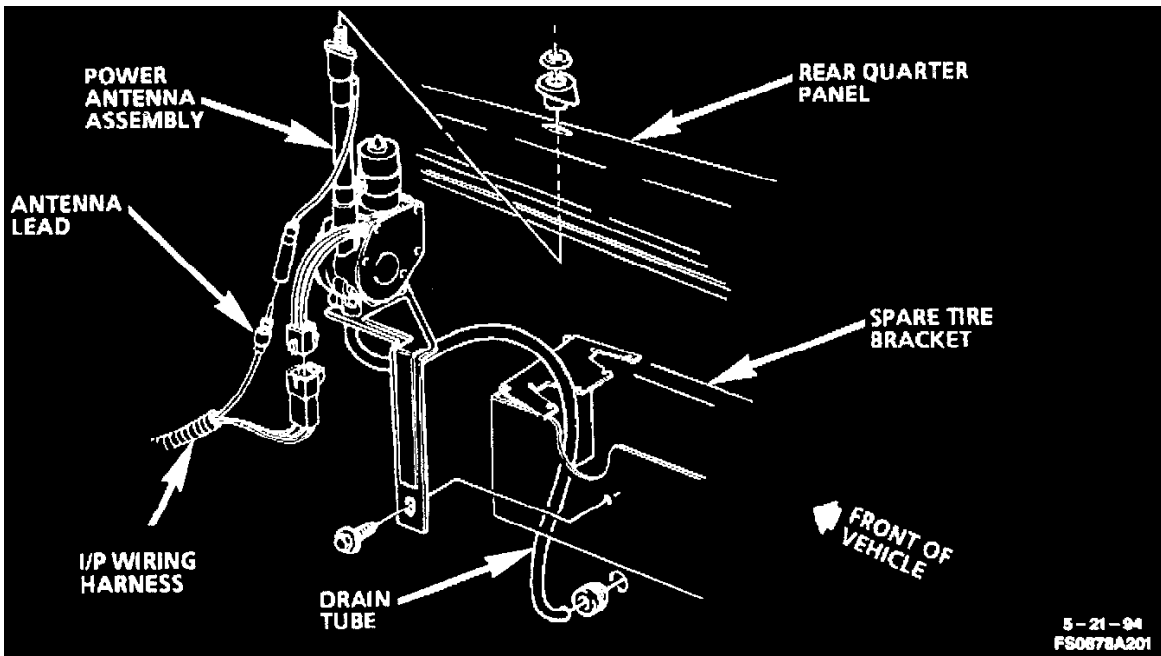
Rear Side Under Console-Automatic (M30)



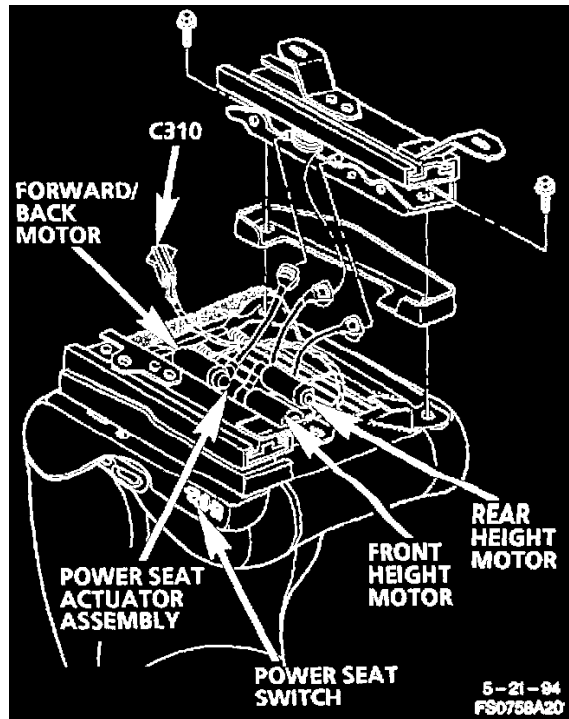
RH Side Of Front Fascia (LH Similar)



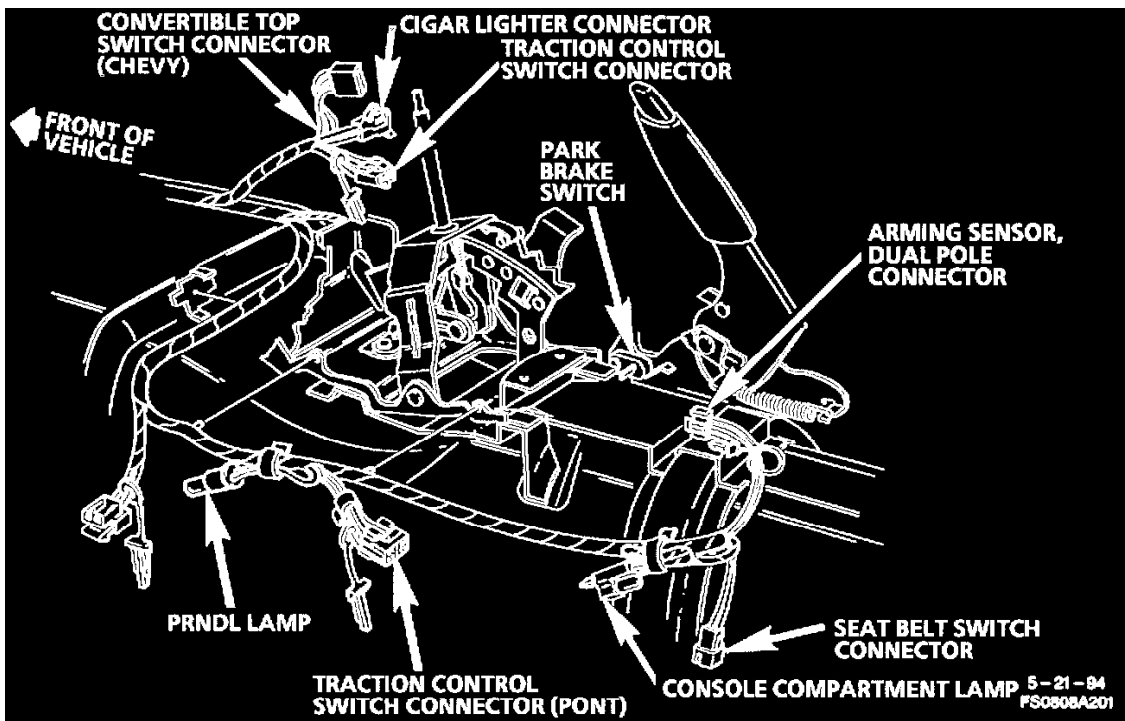
Right Rear Of Engine Compartment



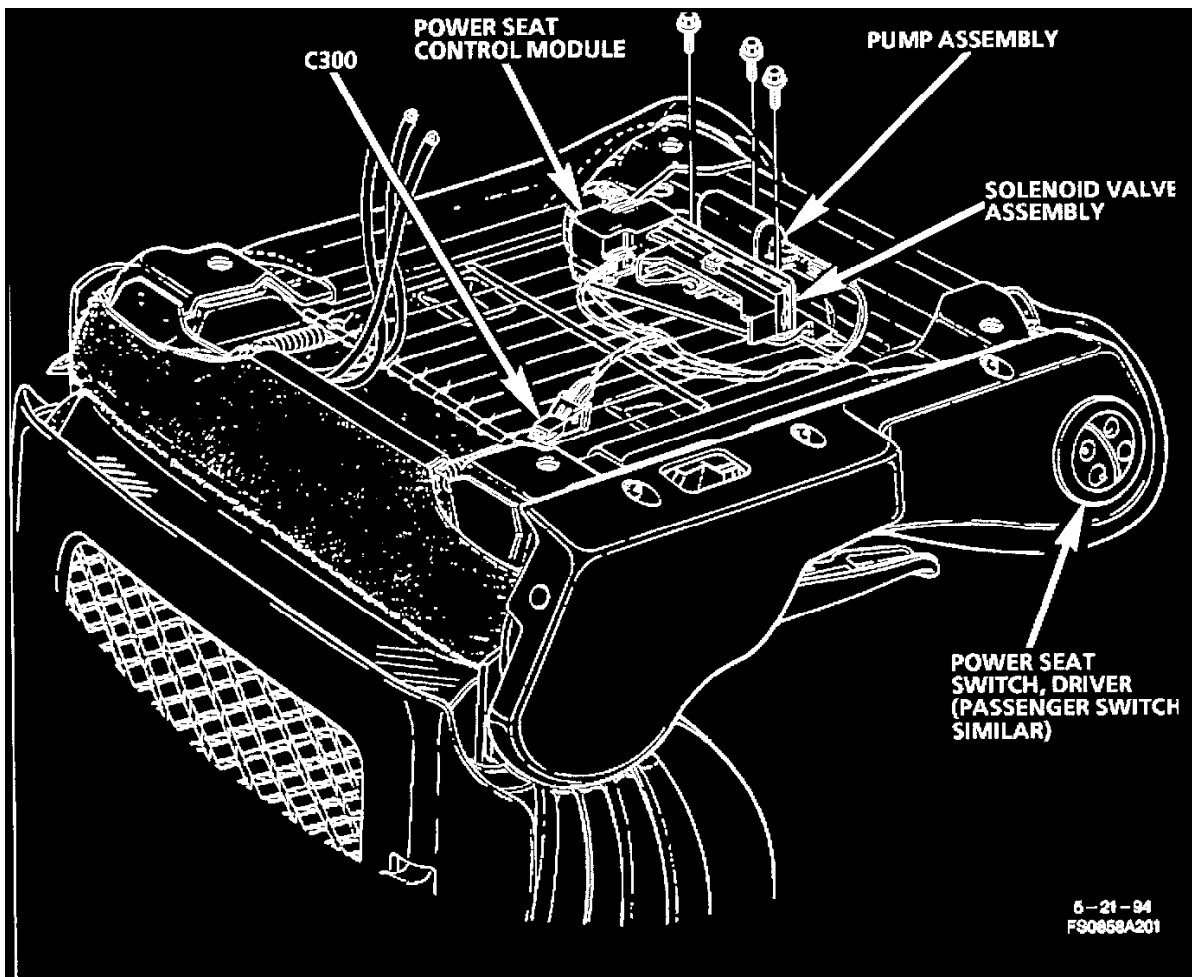
Behind Right Rear Interior Quarter Trim Panel



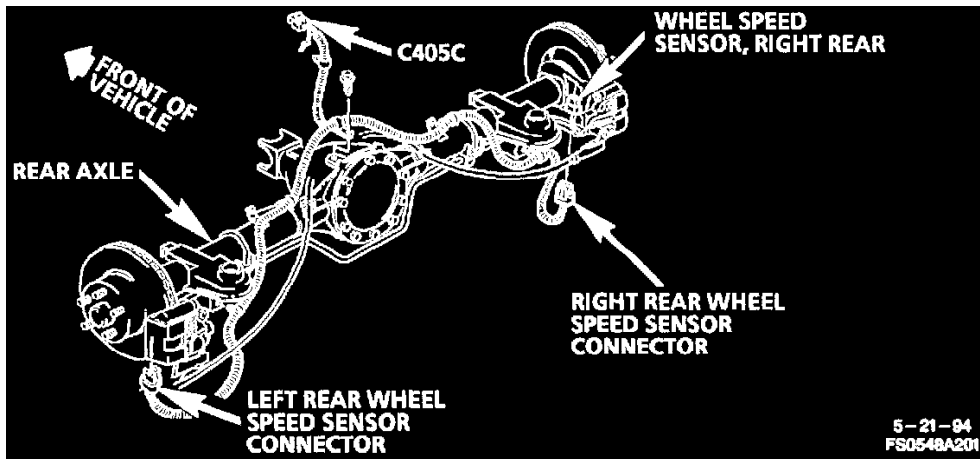
Bottom Of Driver Seat (AC3)



LH Side Under Console - Automatic (M30)

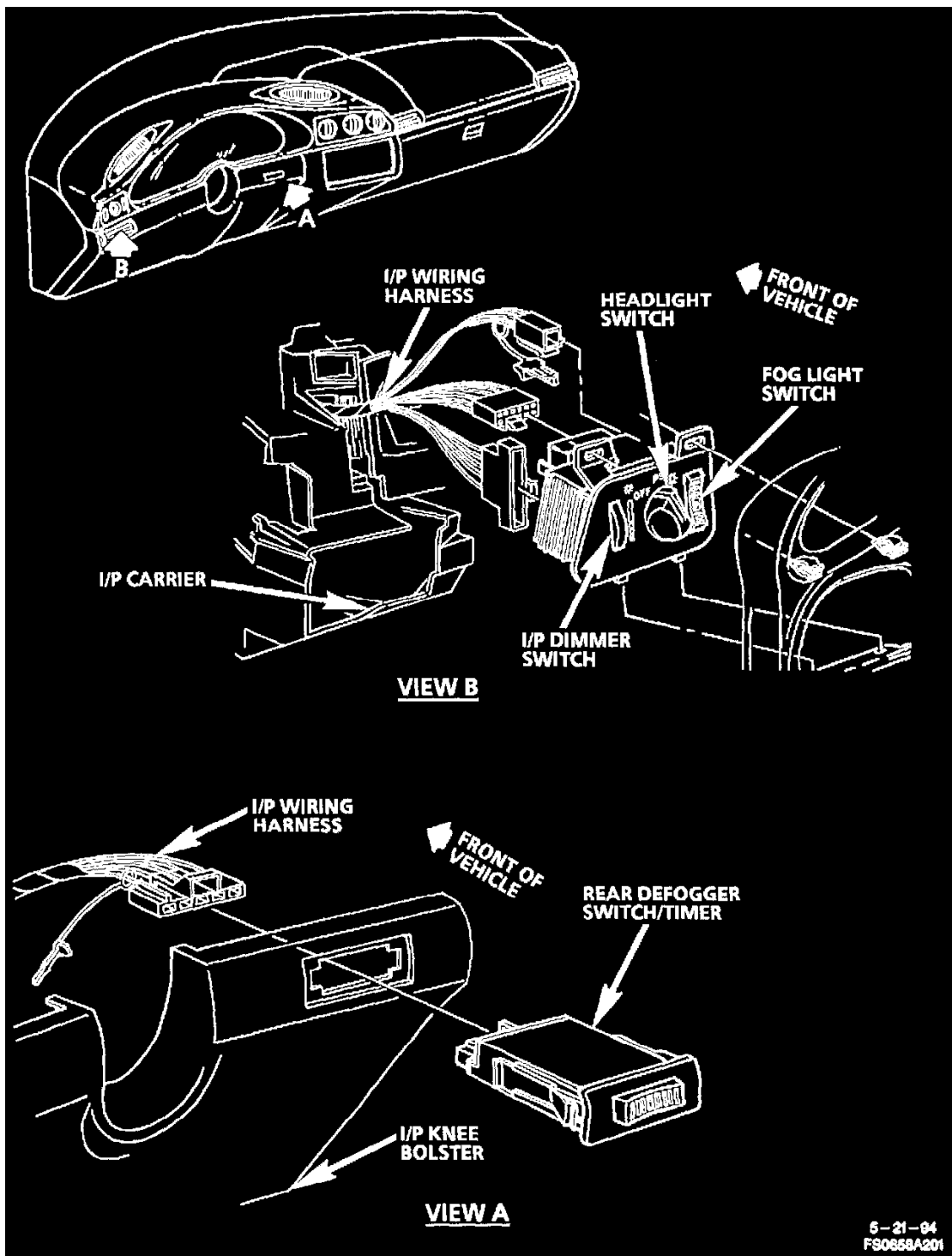


Under Driver's Seat (AQ9)



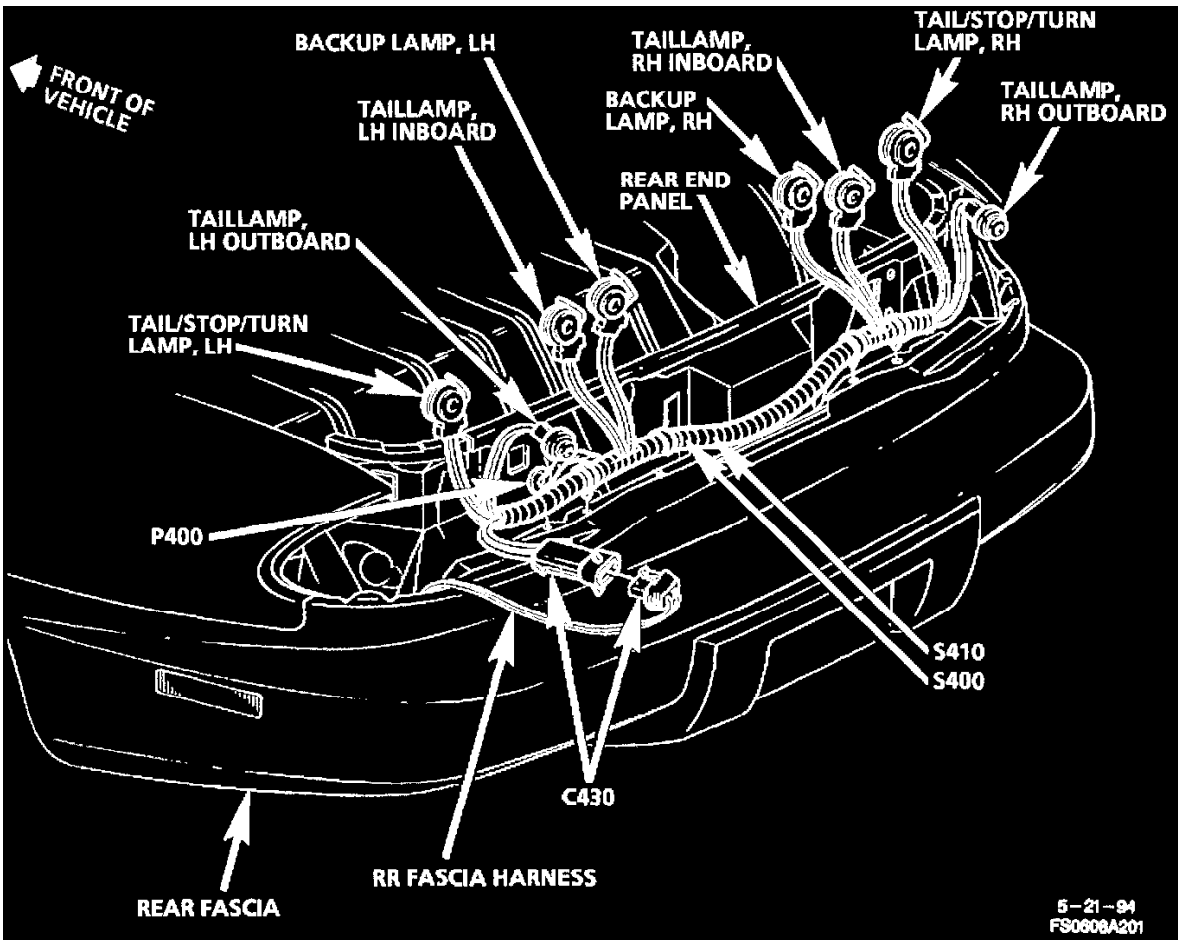
Rear Axle And Differential (With NW9)



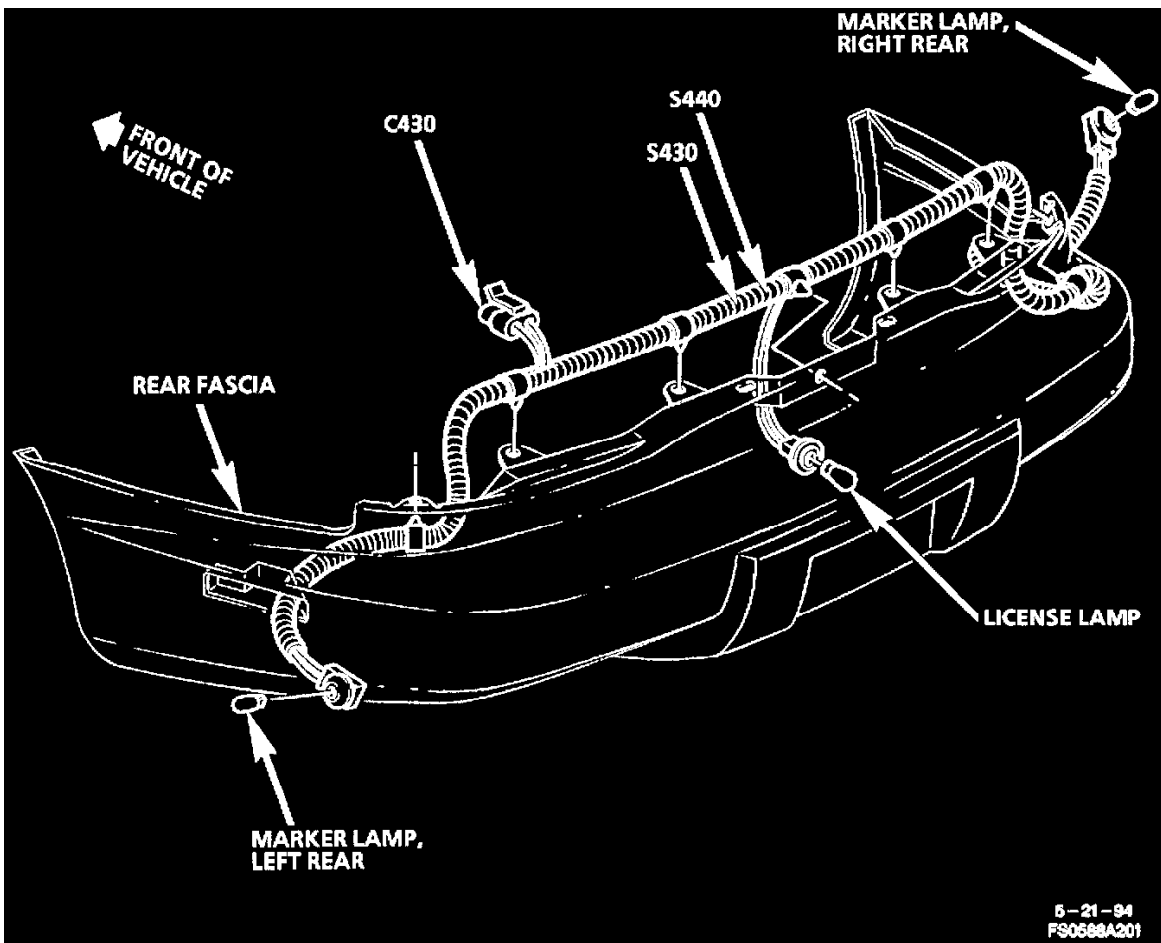


6-21-94  
F90868A201

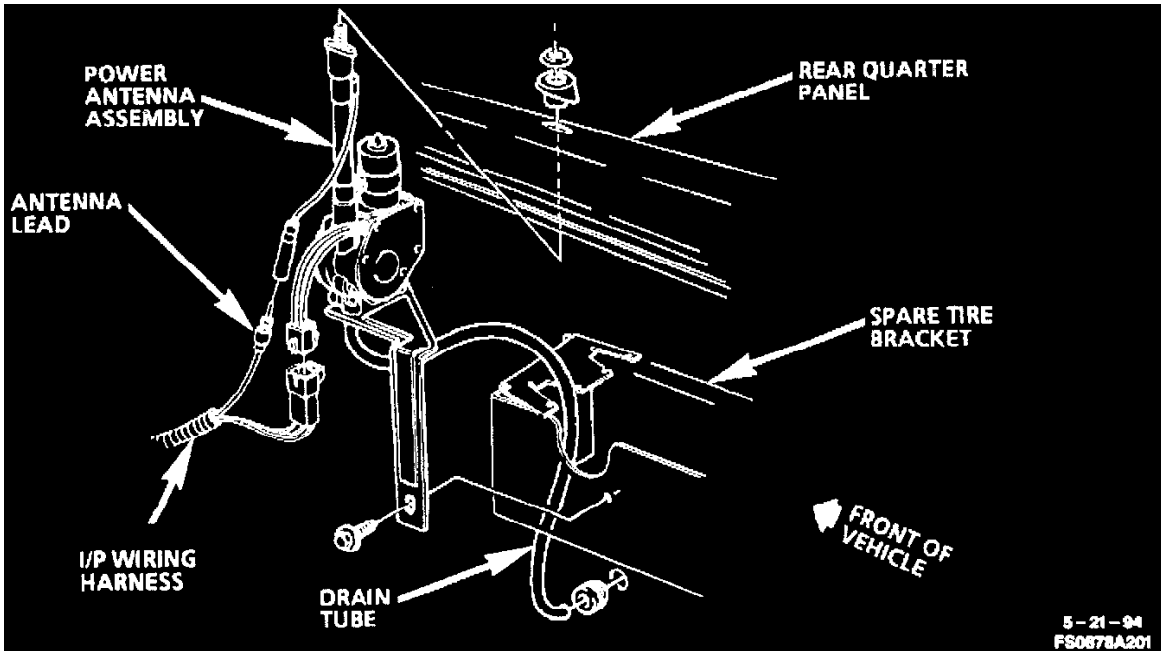
LH Side Of I/P



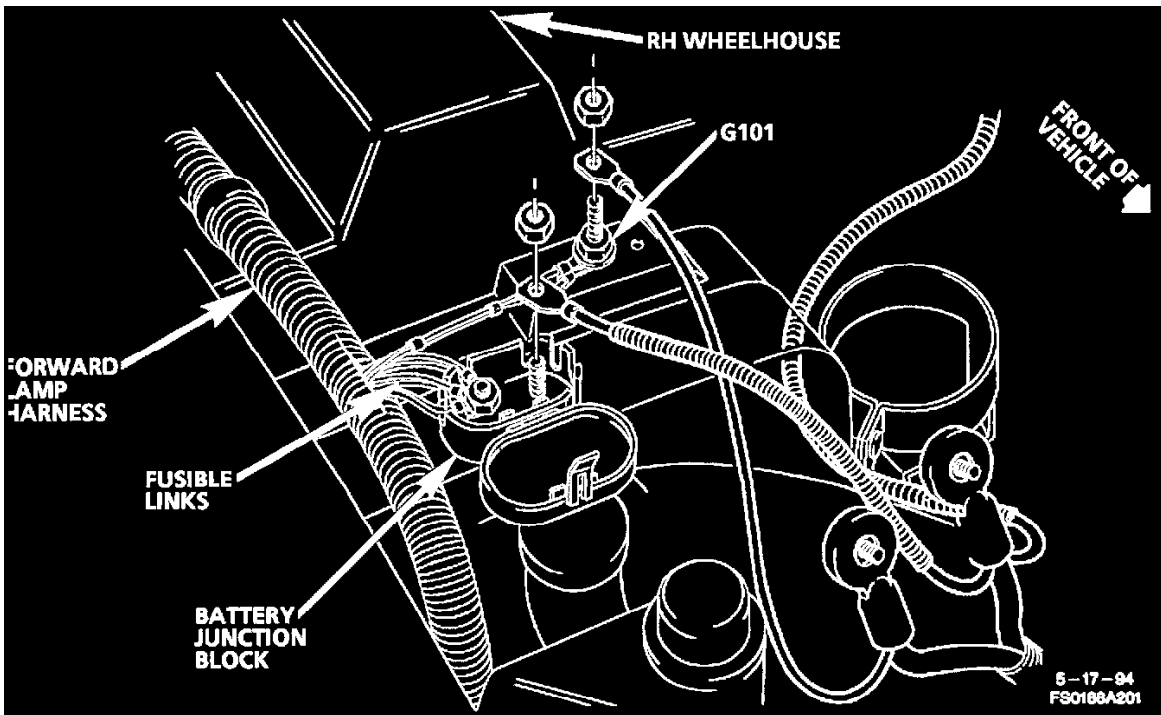
Rear Of Vehicle



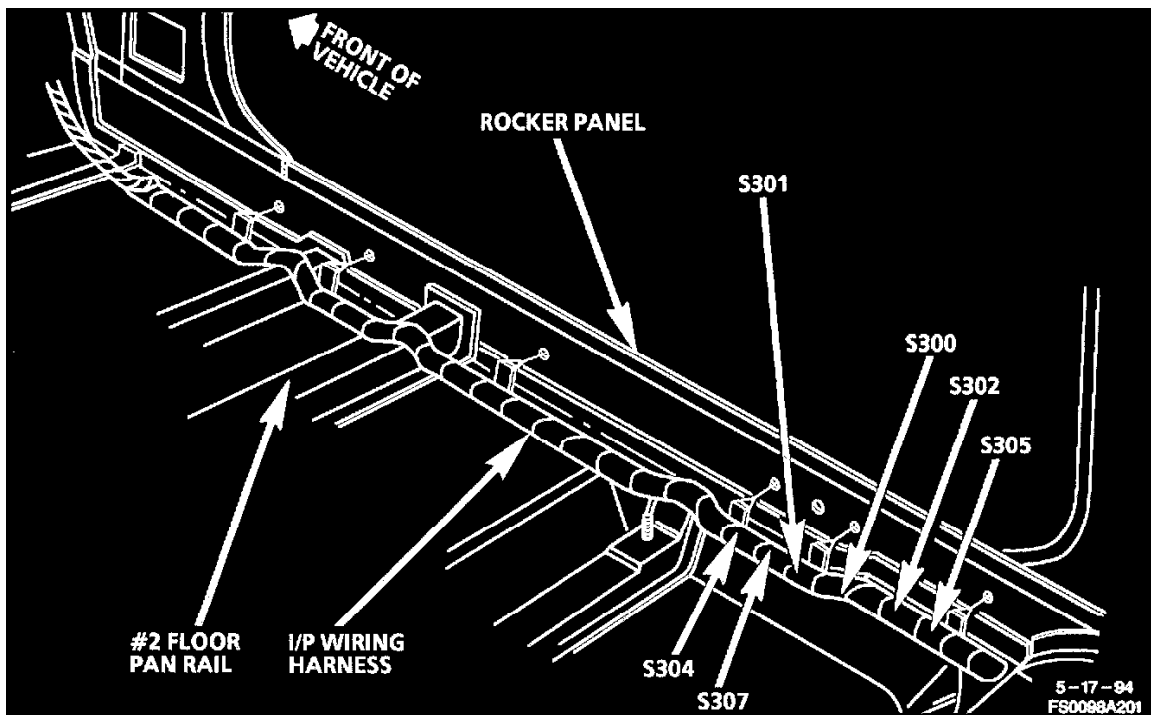
Rear Fascia



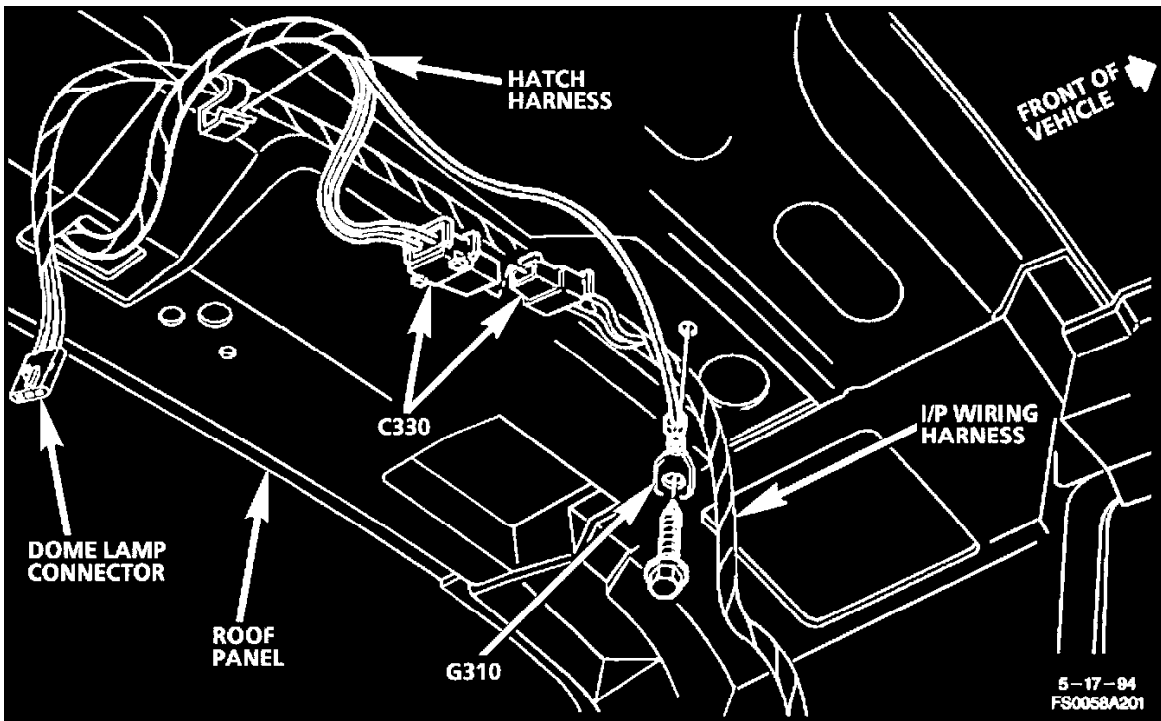
Behind Right Rear Interior Quarter Trim Panel



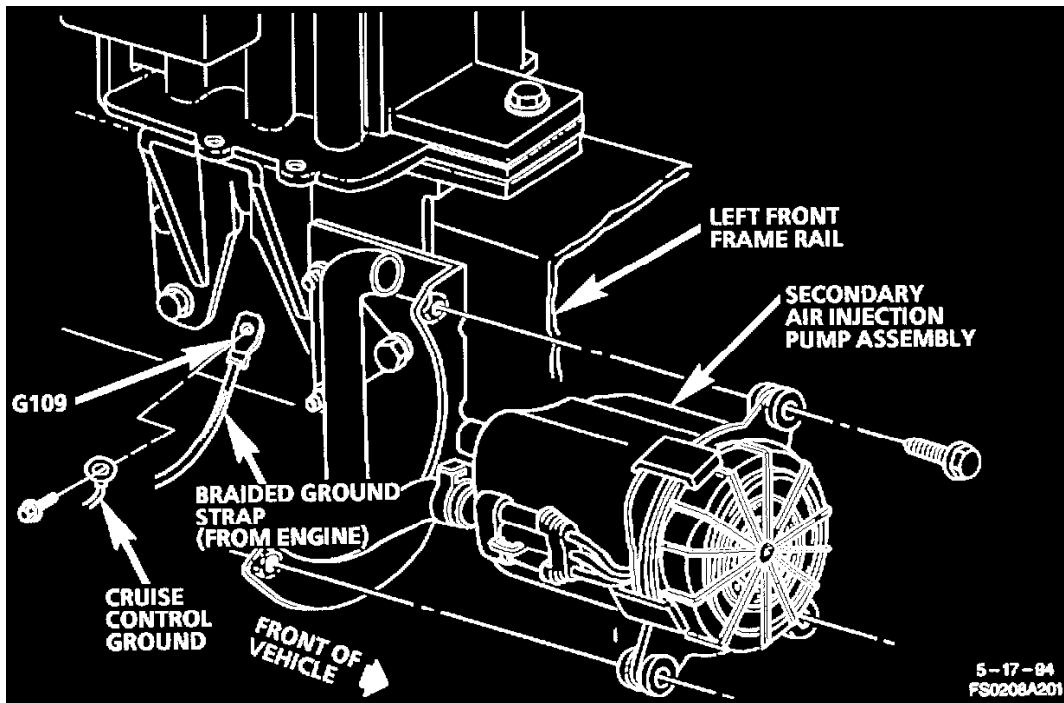
RH Wheelhouse



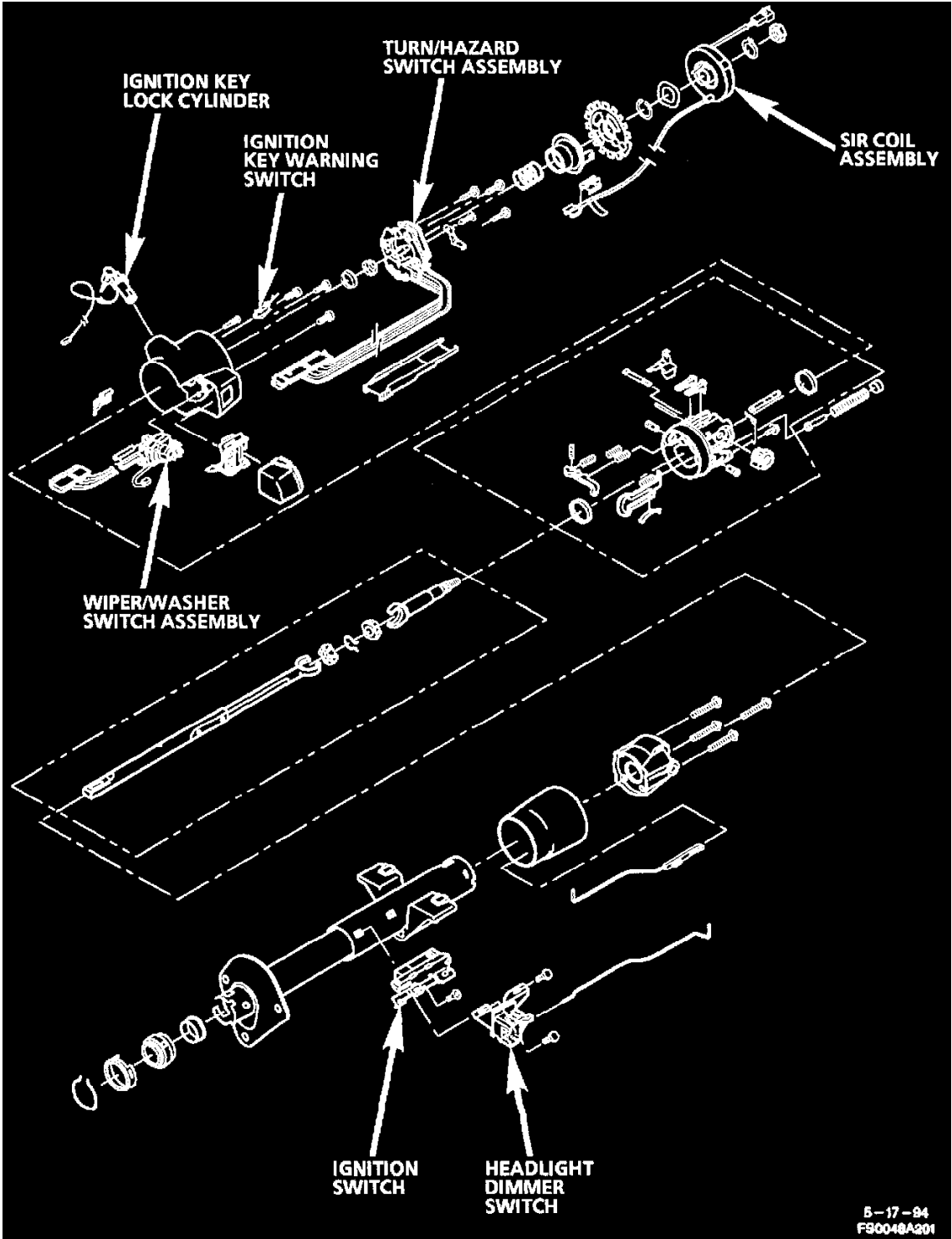
RH Rocker Panel



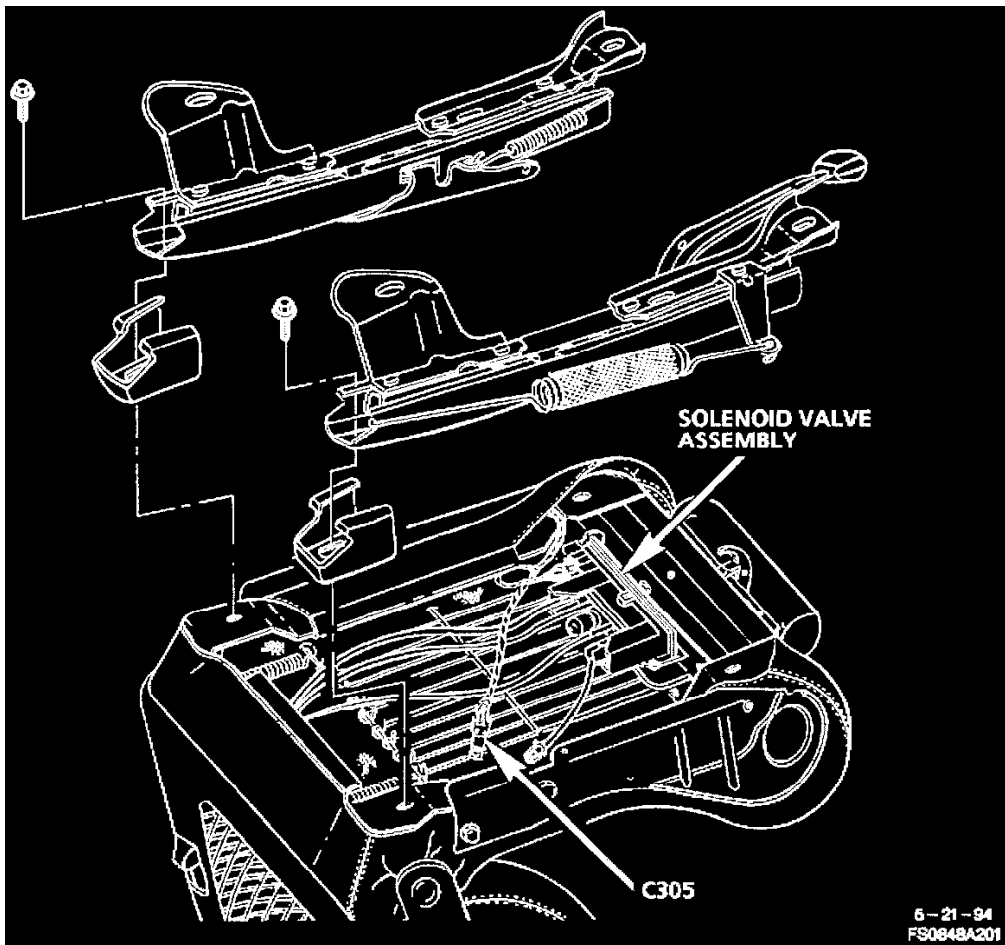
Center Rear On Roof Panel (Coupe)



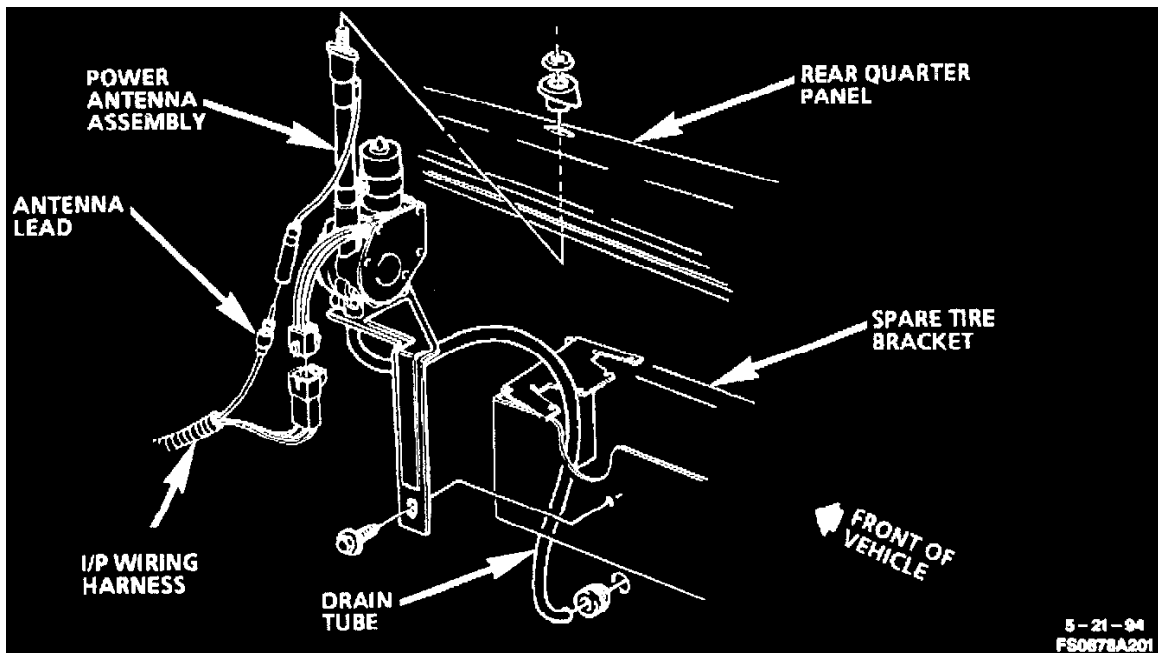
LH Front Frame Rail



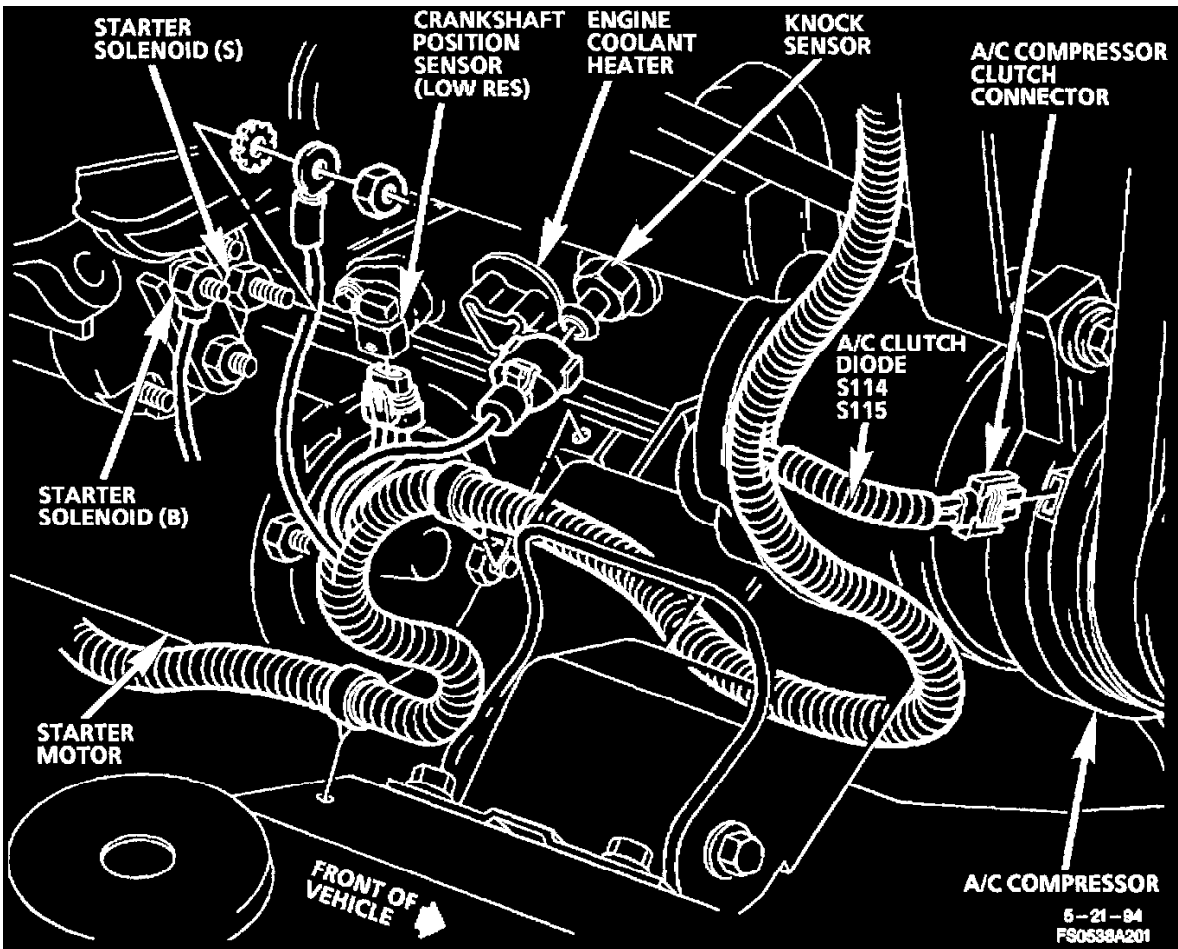
Steering Column Internals



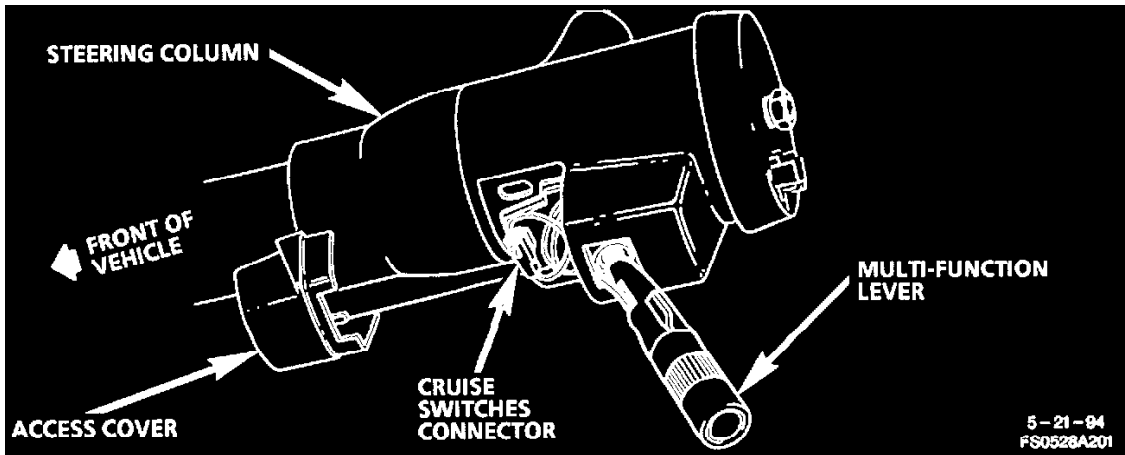
Under Passenger Seat (AQ9)



Behind Right Rear Interior Quarter Trim Panel

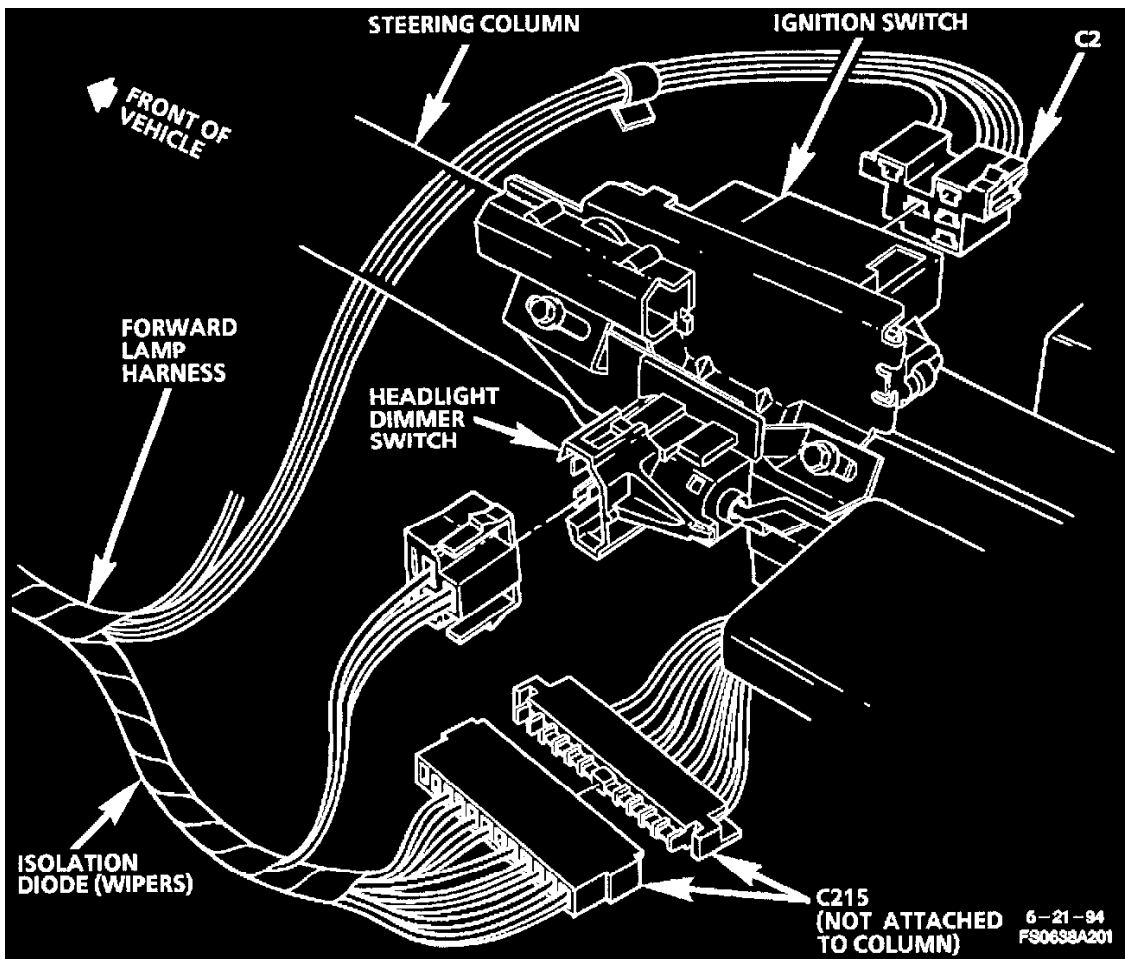


RH Side Of Engine

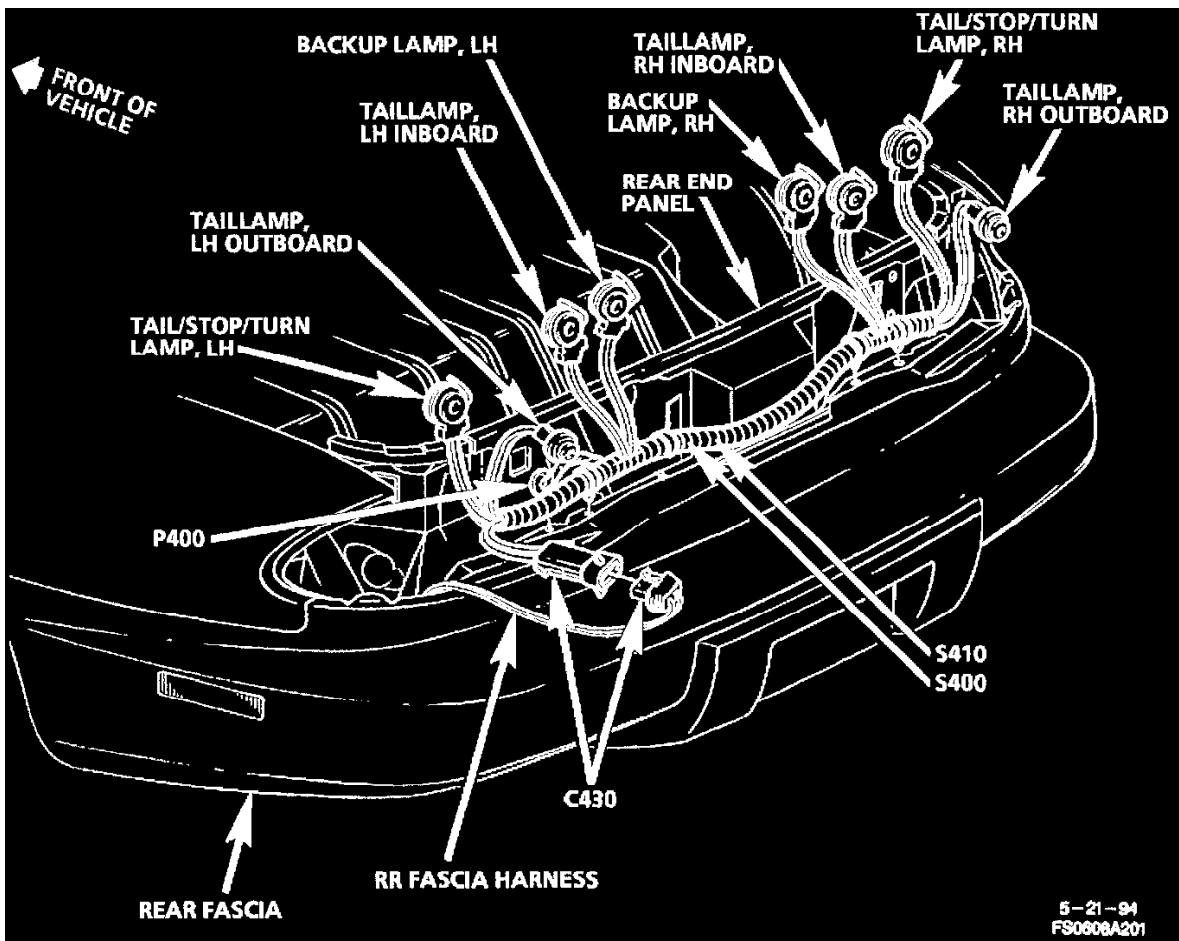


Steering Column

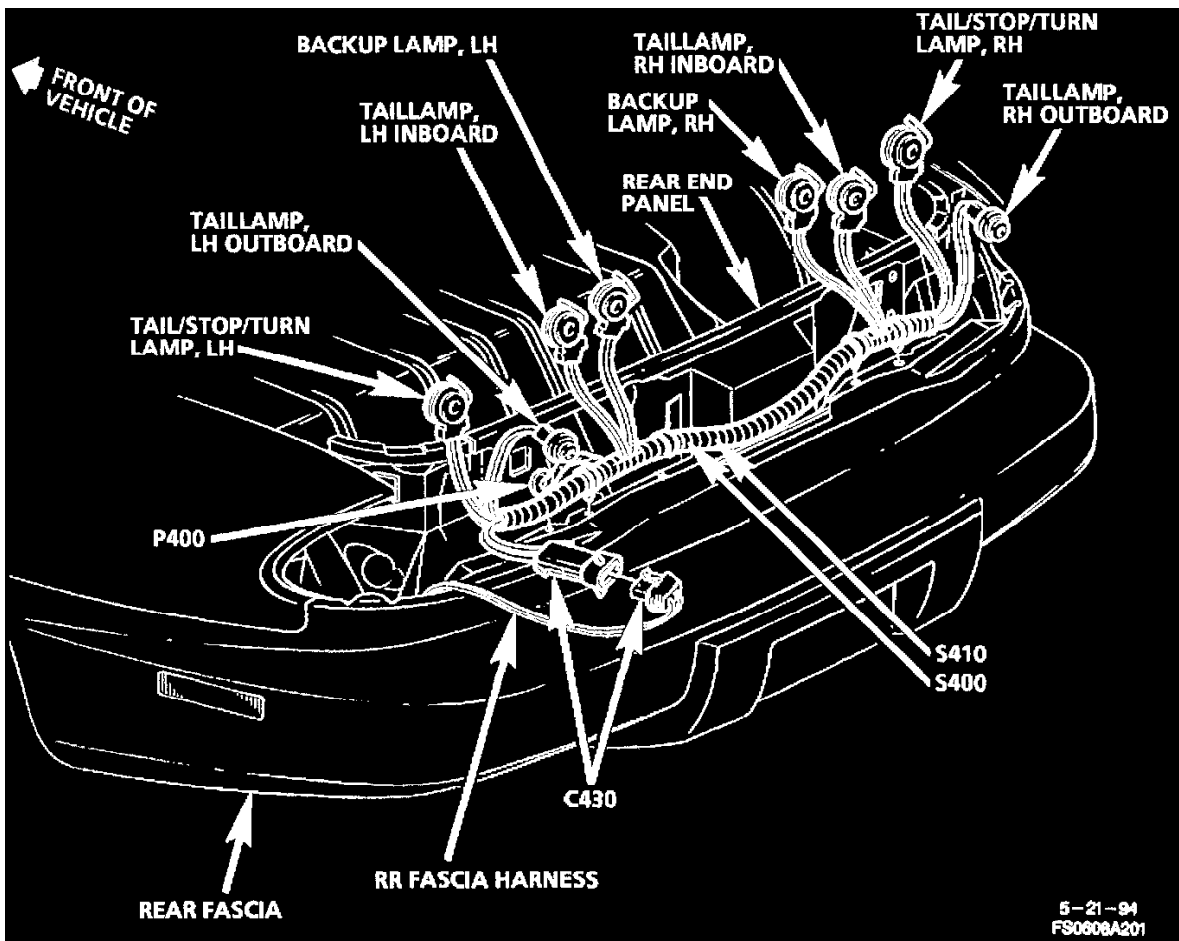




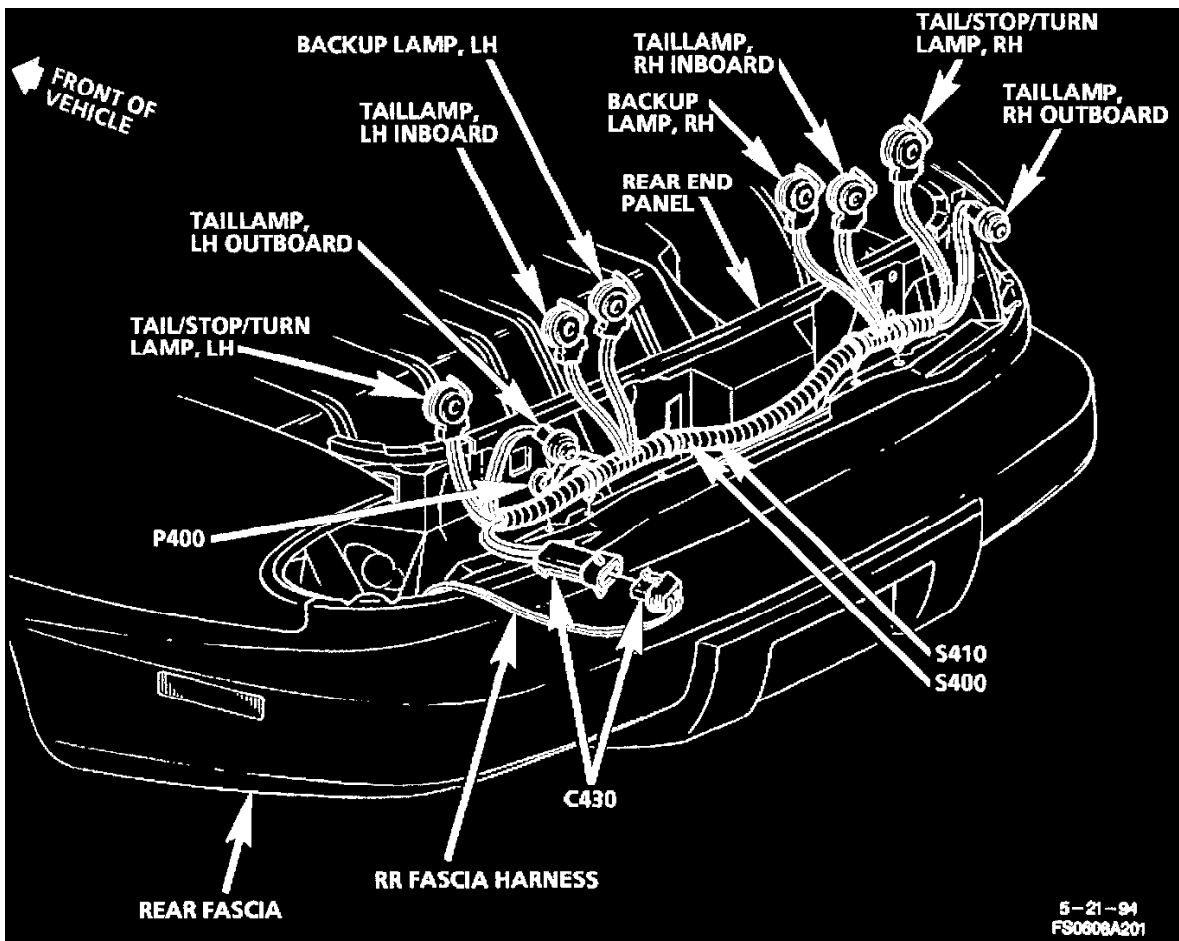
Bottom Of Steering Column



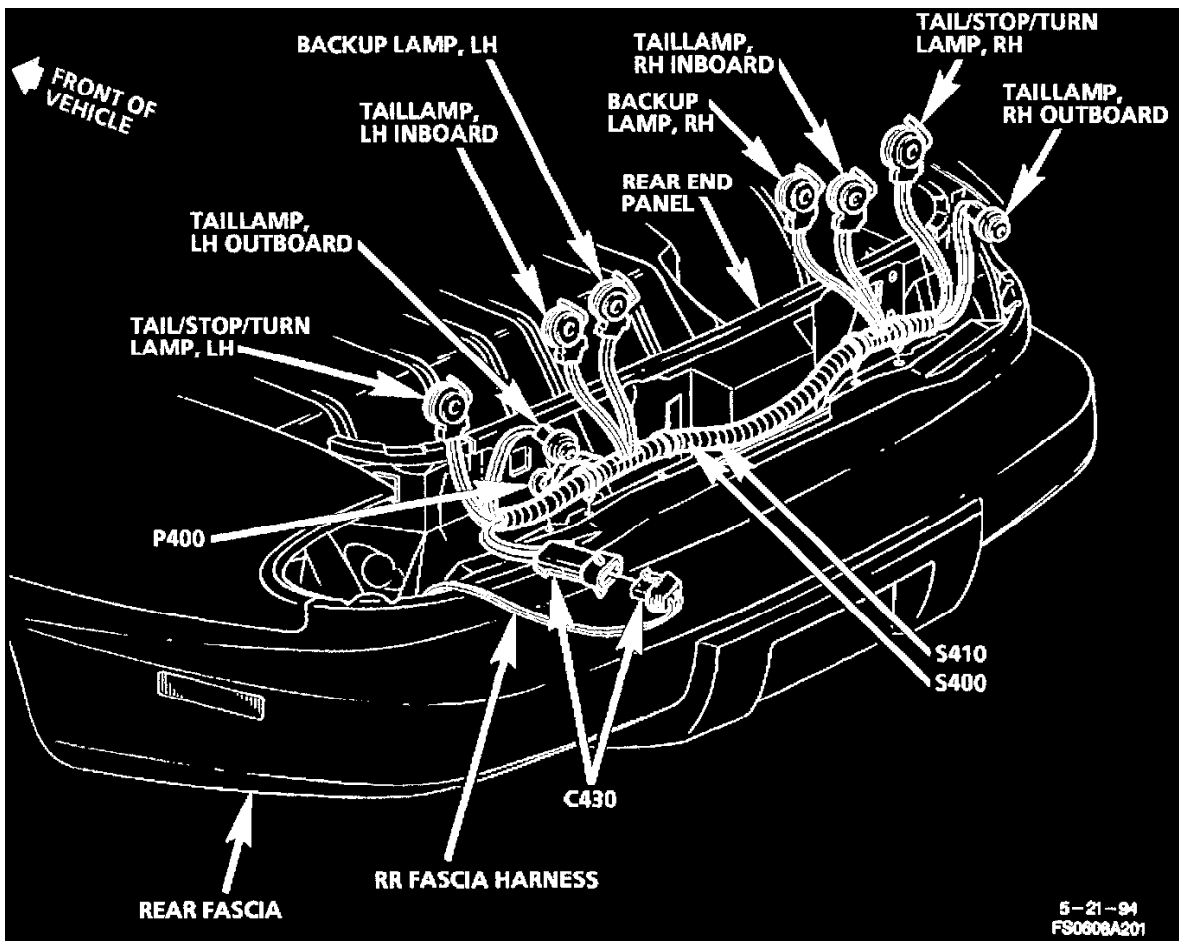
Rear Of Vehicle



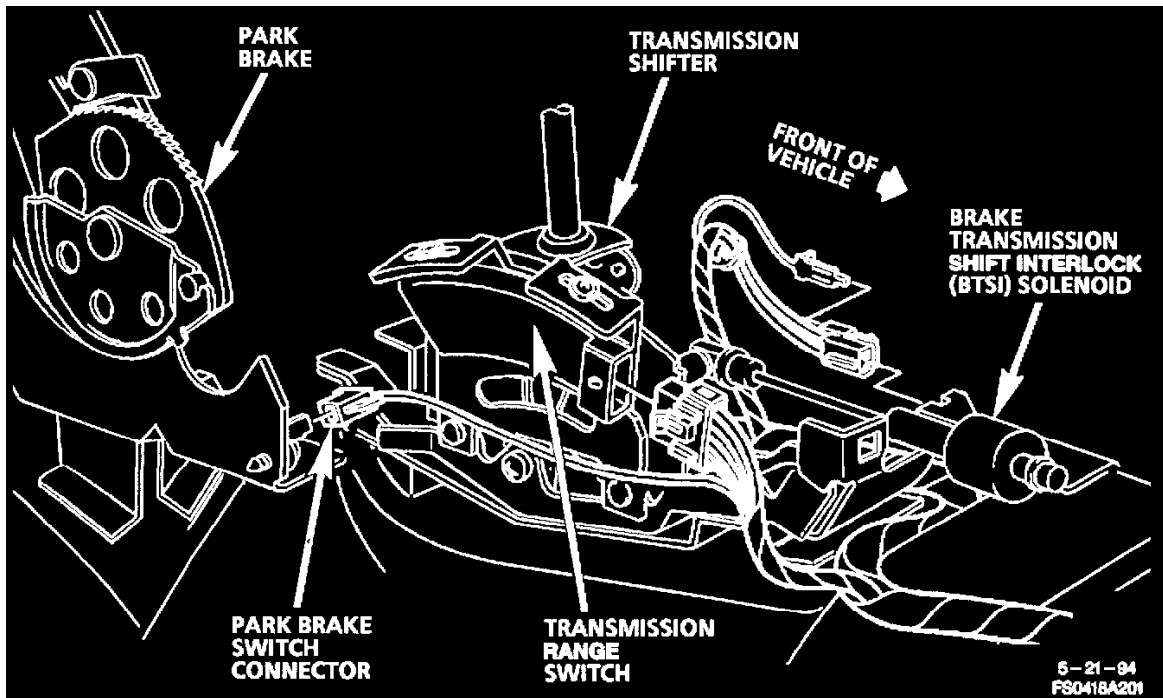
Rear Of Vehicle



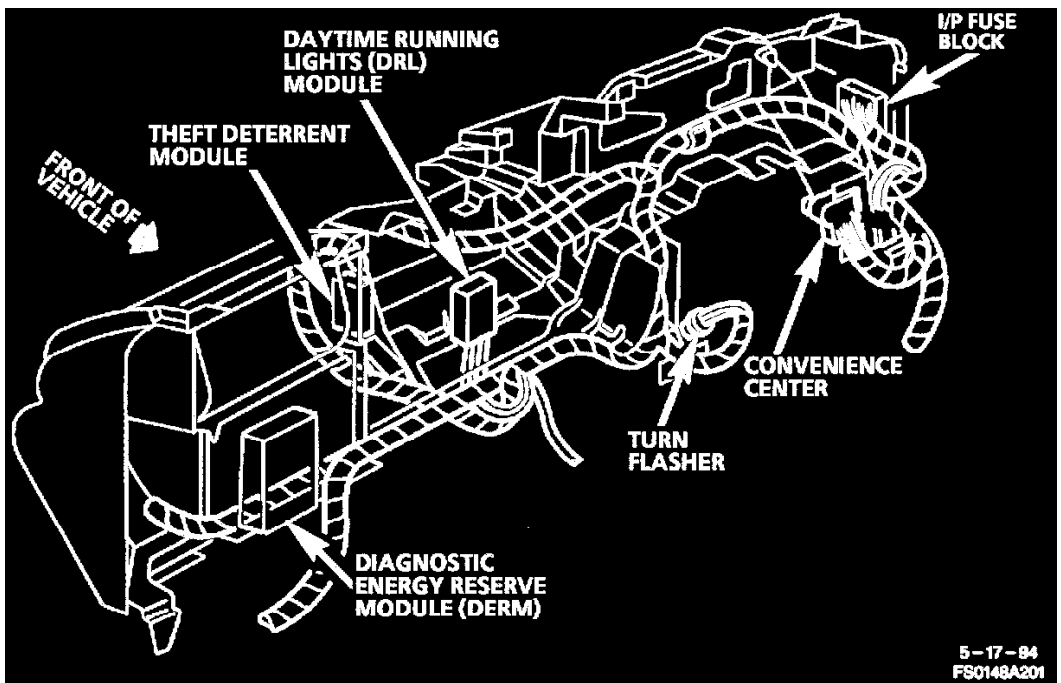
Rear Of Vehicle



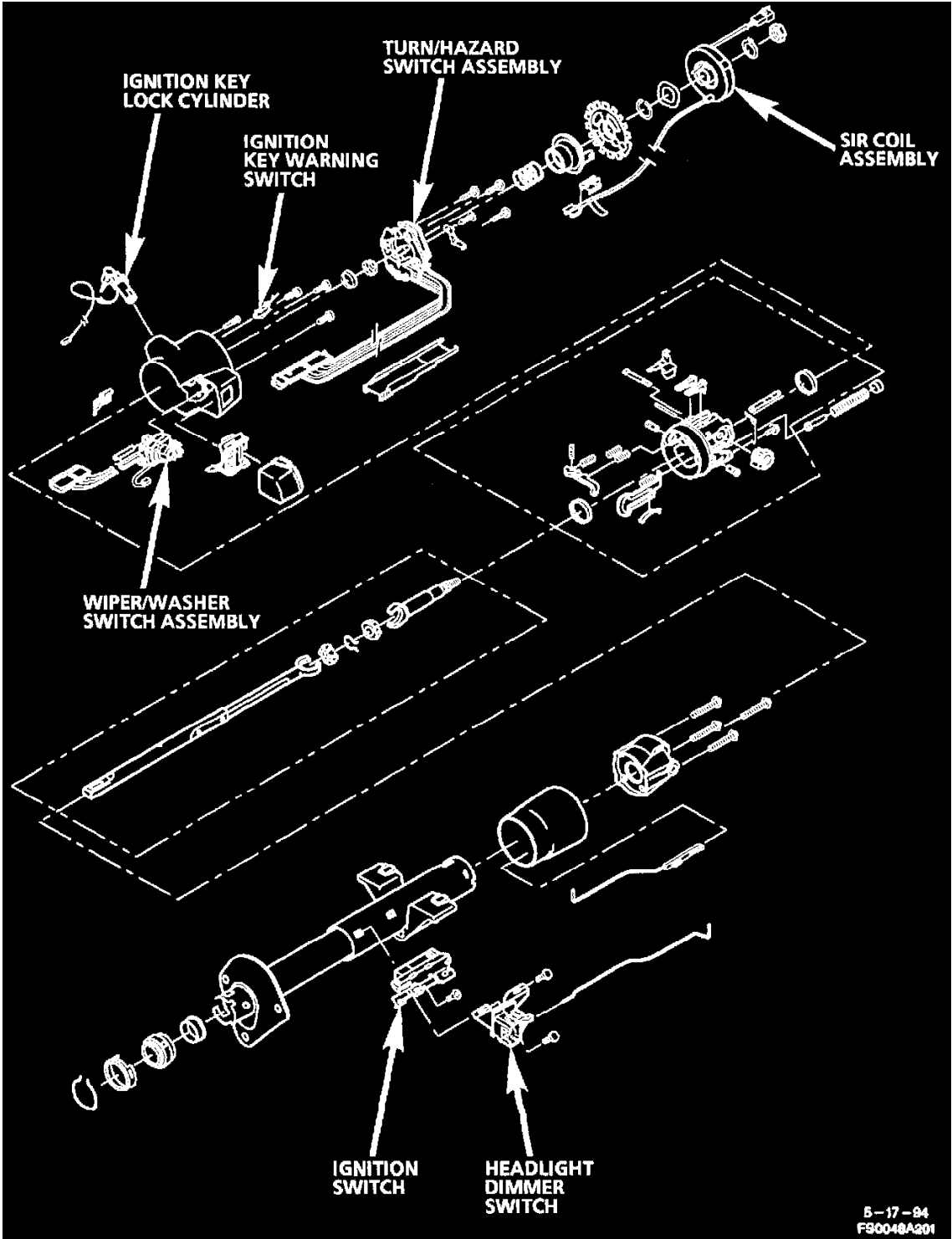
Rear Of Vehicle



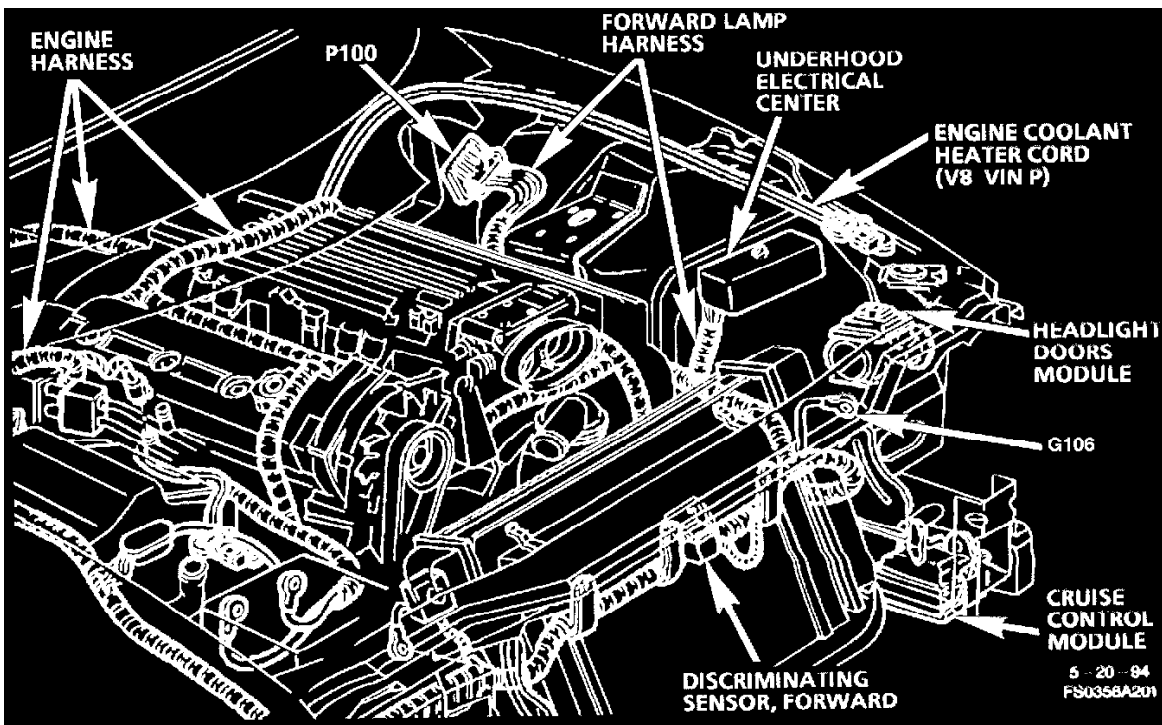
Rear Side Under Console-Automatic (M30)



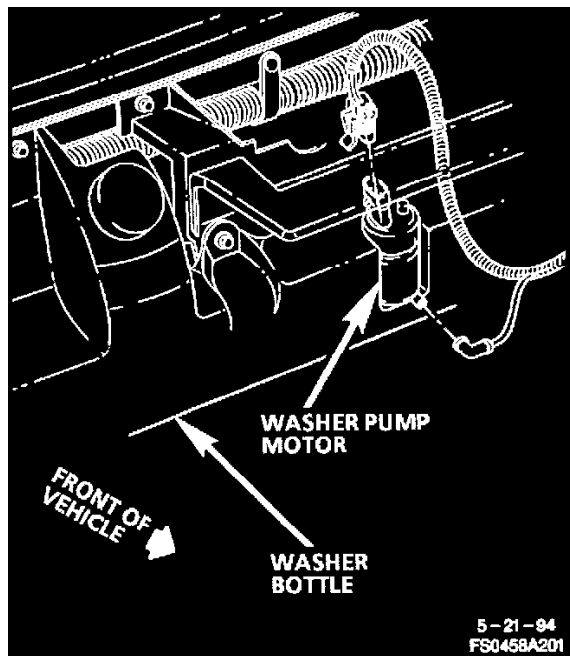
Rear View Of I/P Carrier



Steering Column Internals

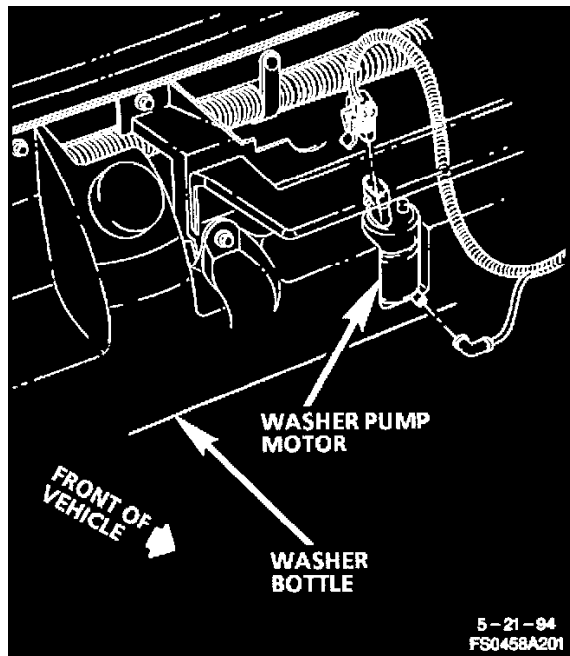


Engine Compartment (LT1, L32/L36 Similar)

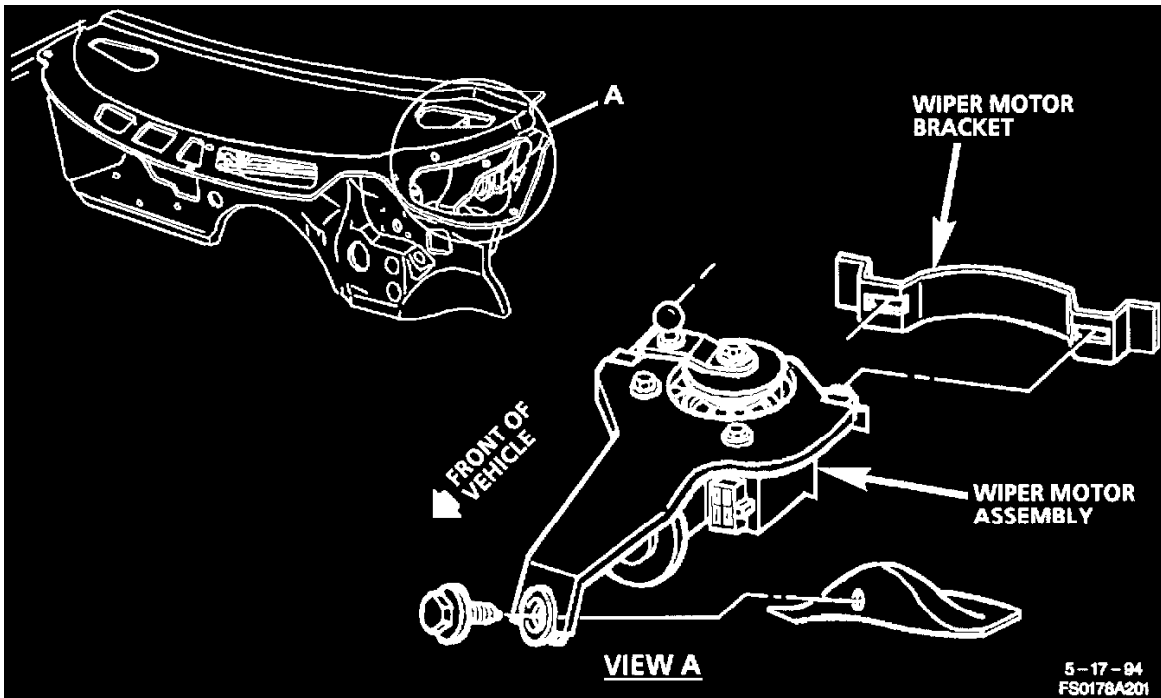


Front Of Vehicle Forward Of Tie Bar

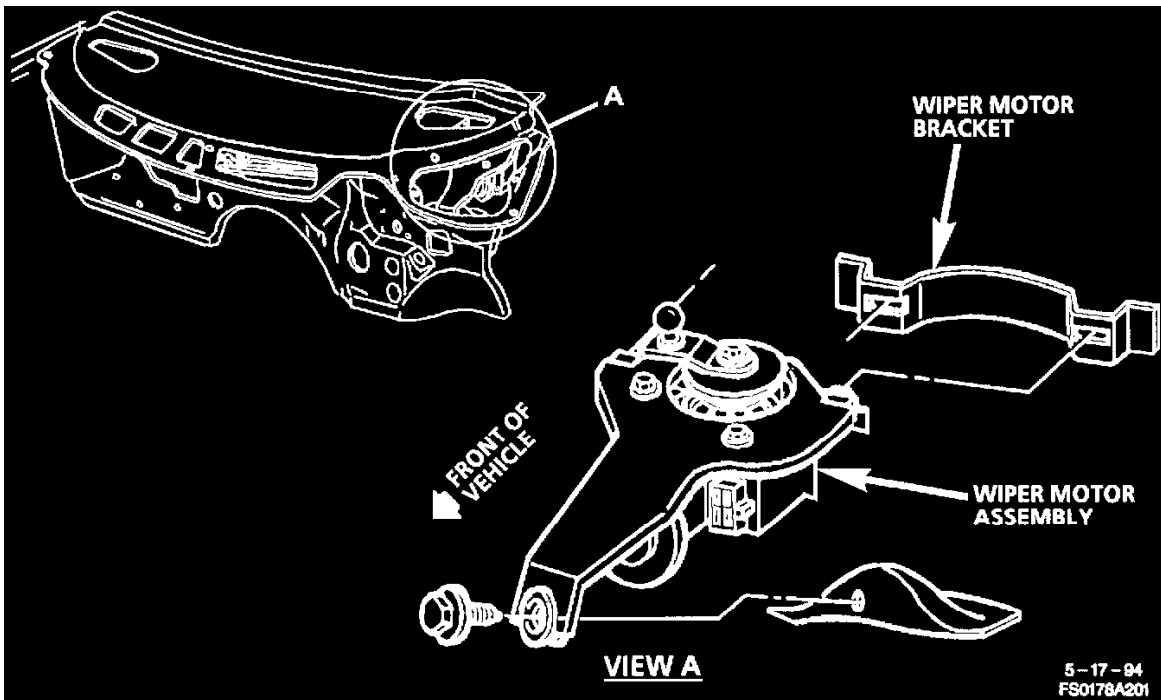




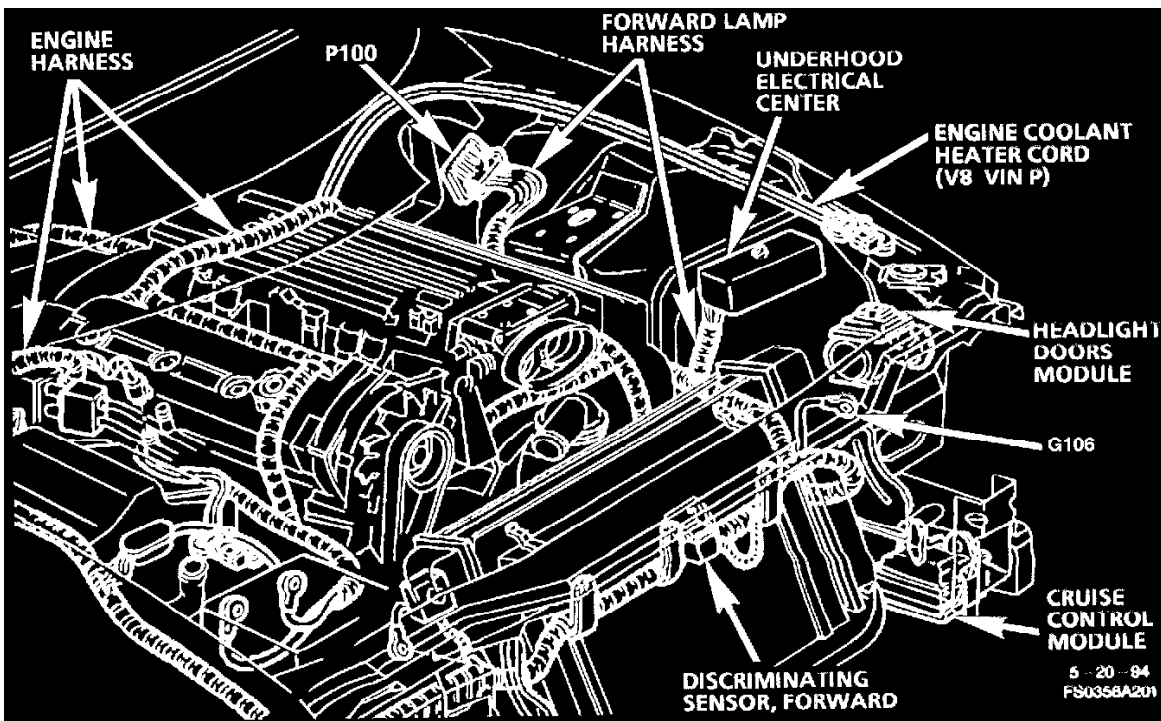
Front Of Vehicle Forward Of Tie Bar



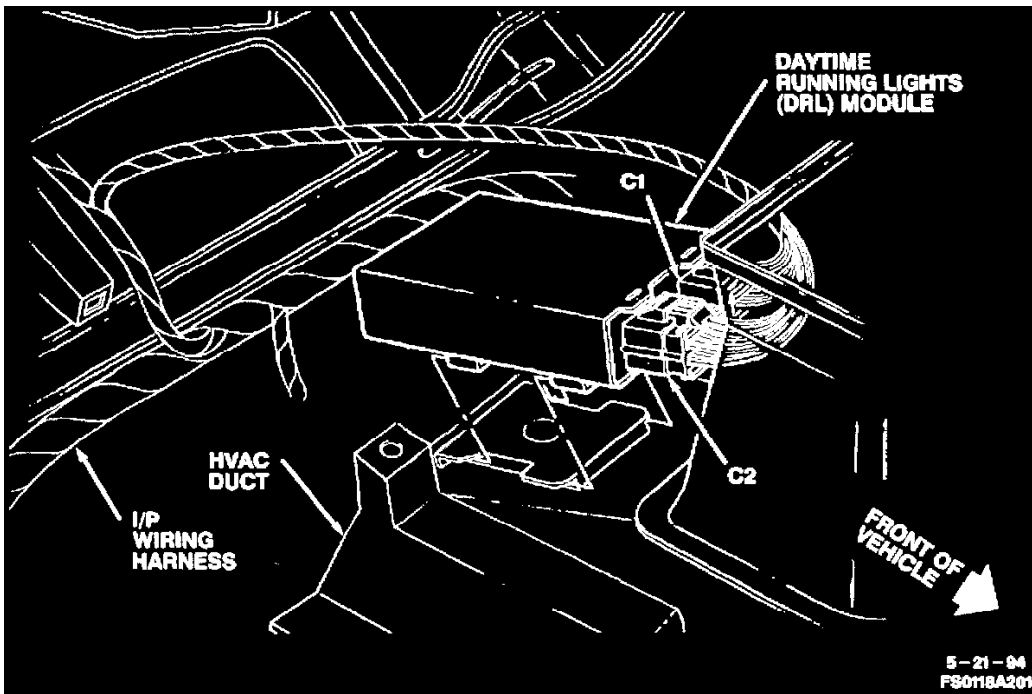
Inside LH Side Of Cowl



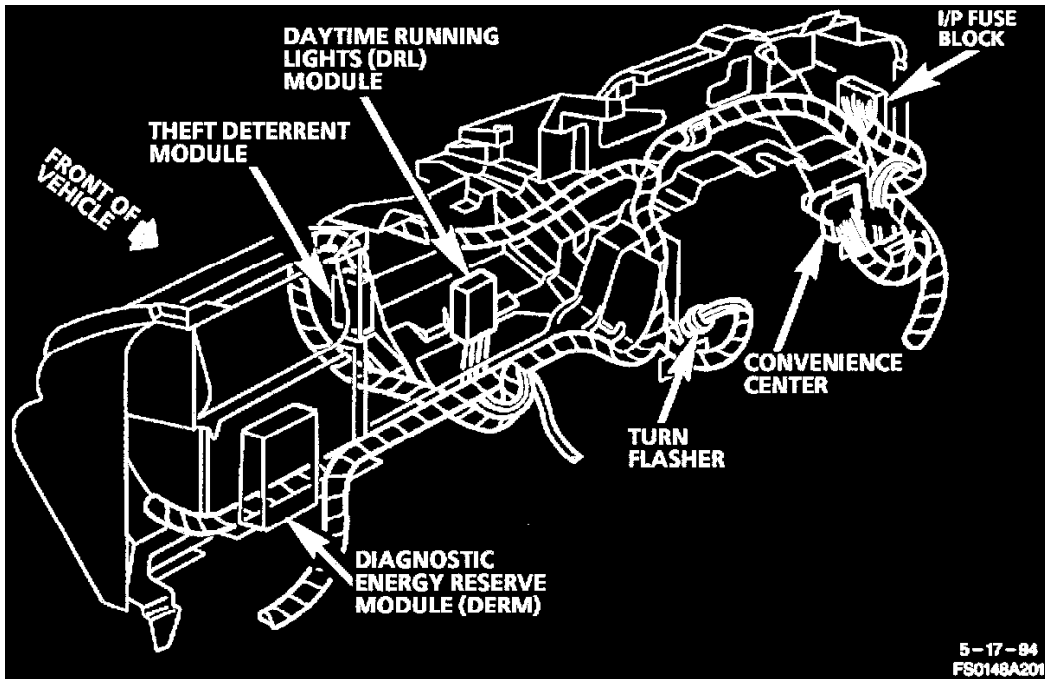
Inside LH Side Of Cowl



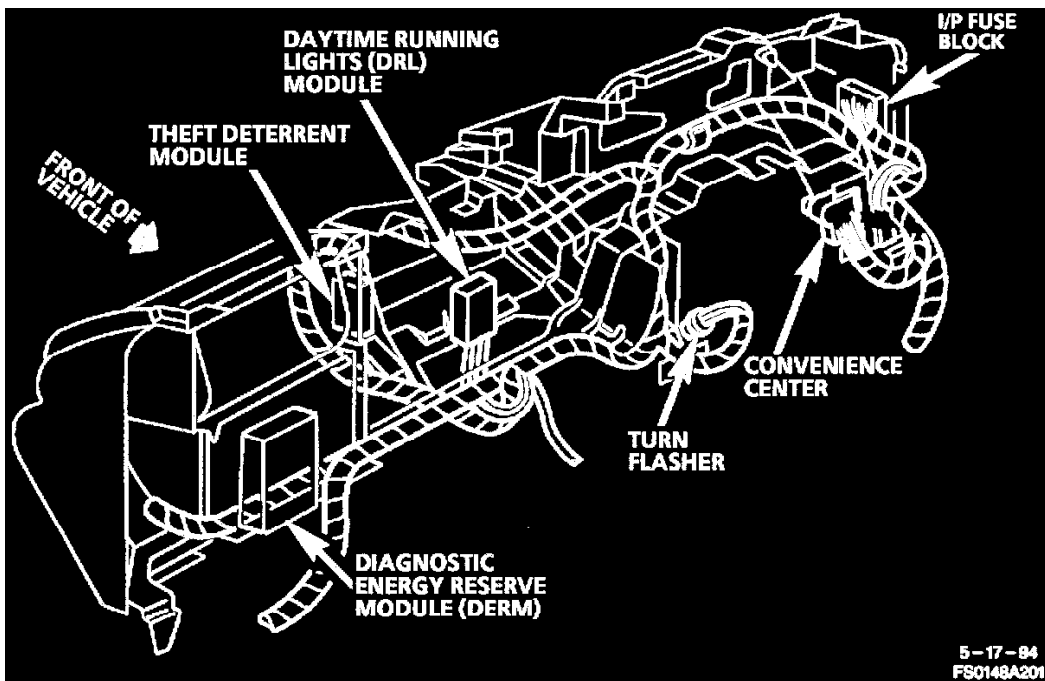
Engine Compartment (LT1, L32/L36 Similar)



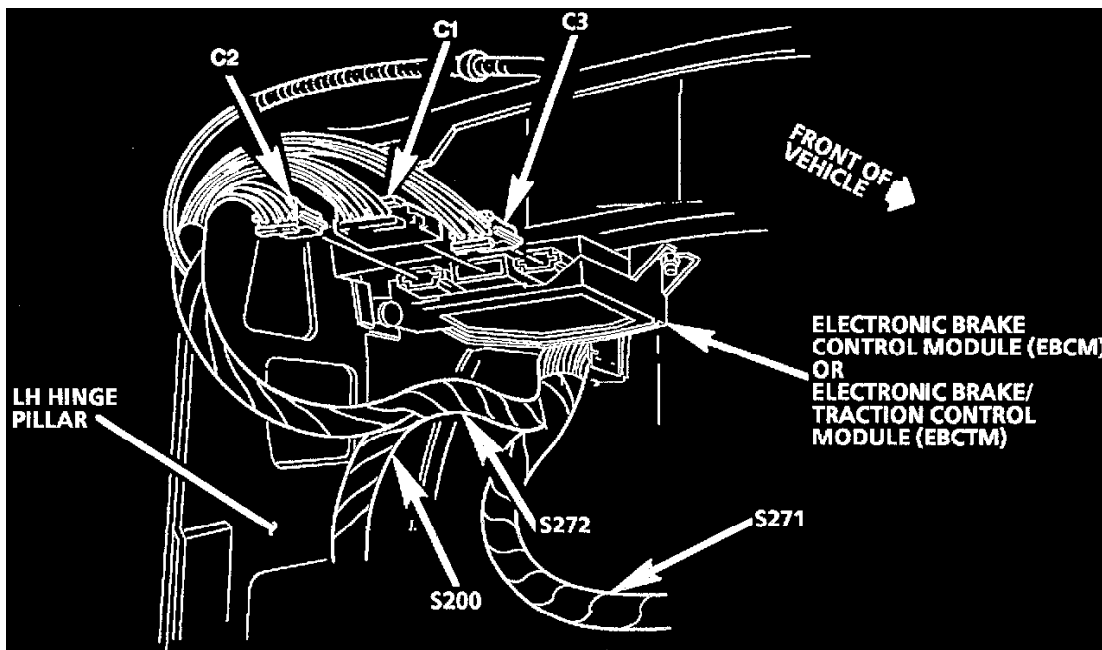
Under Center Of I/P



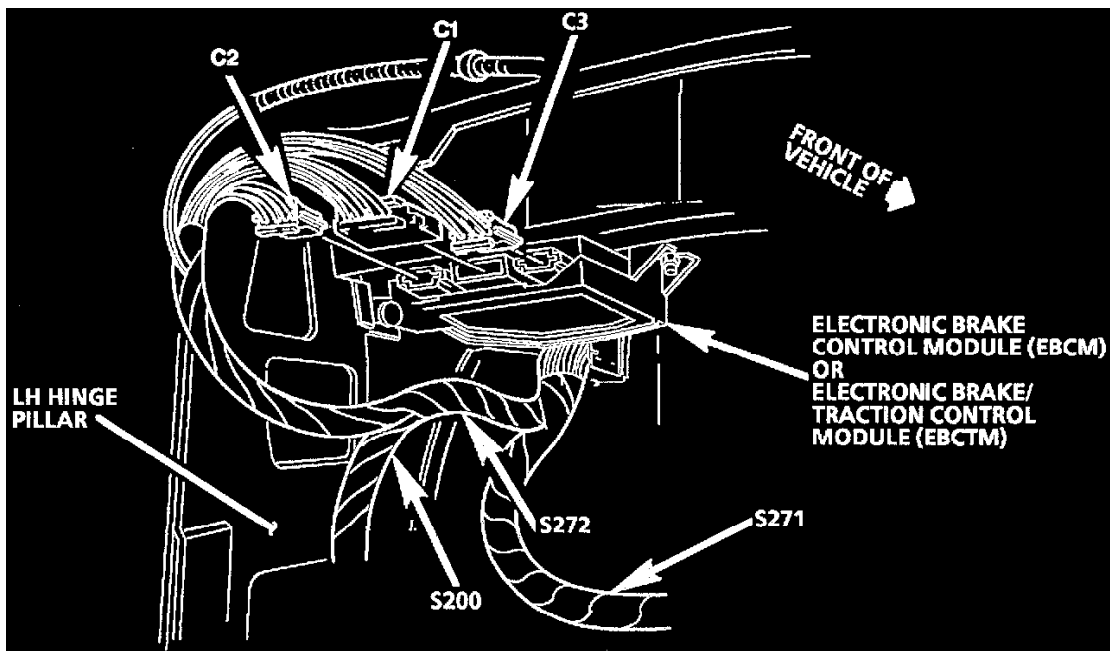
Rear View Of I/P Carrier



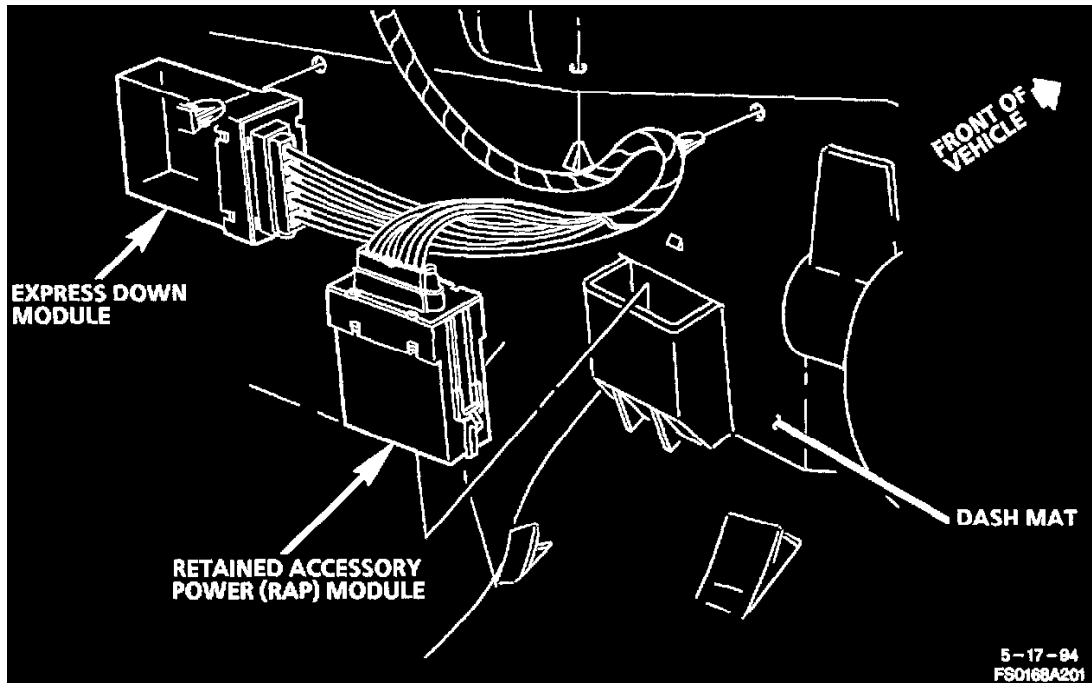
Rear View Of I/P Carrier



Under LH Side Of I/P

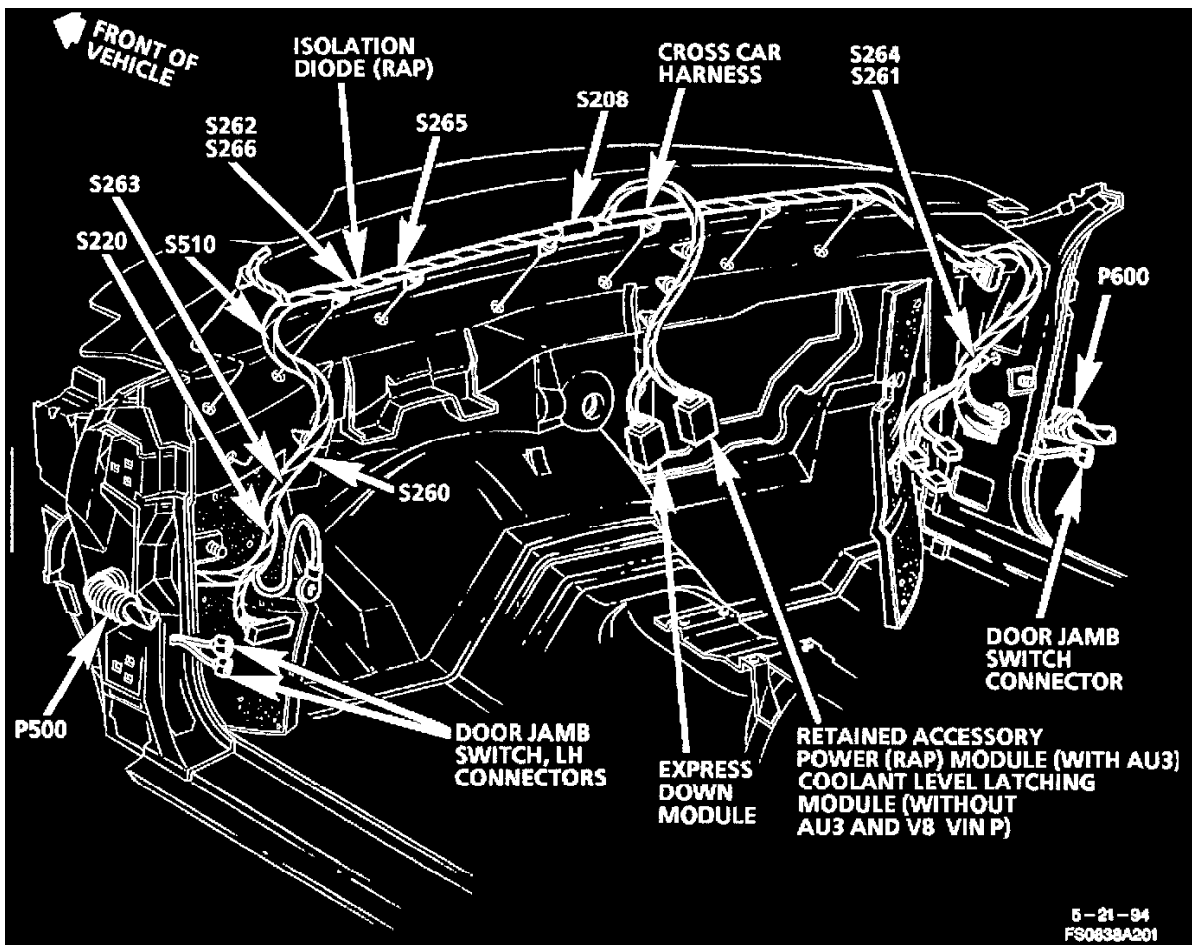


Under LH Side Of I/P

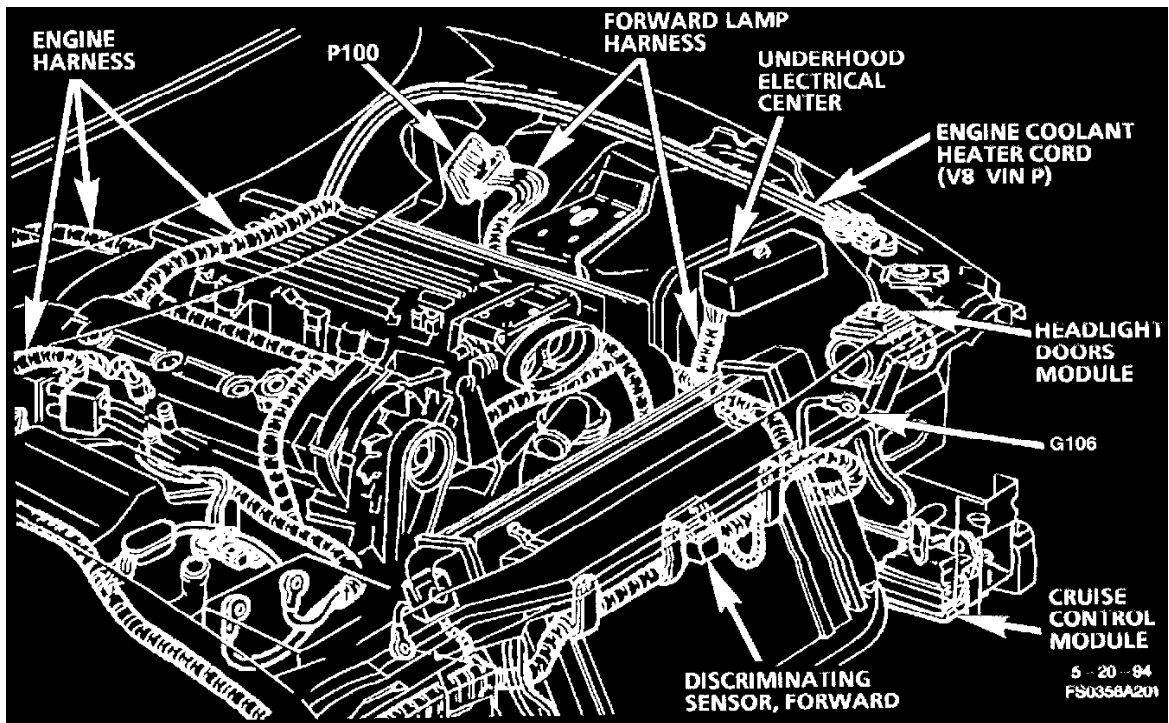


5-17-94  
FS0168A201

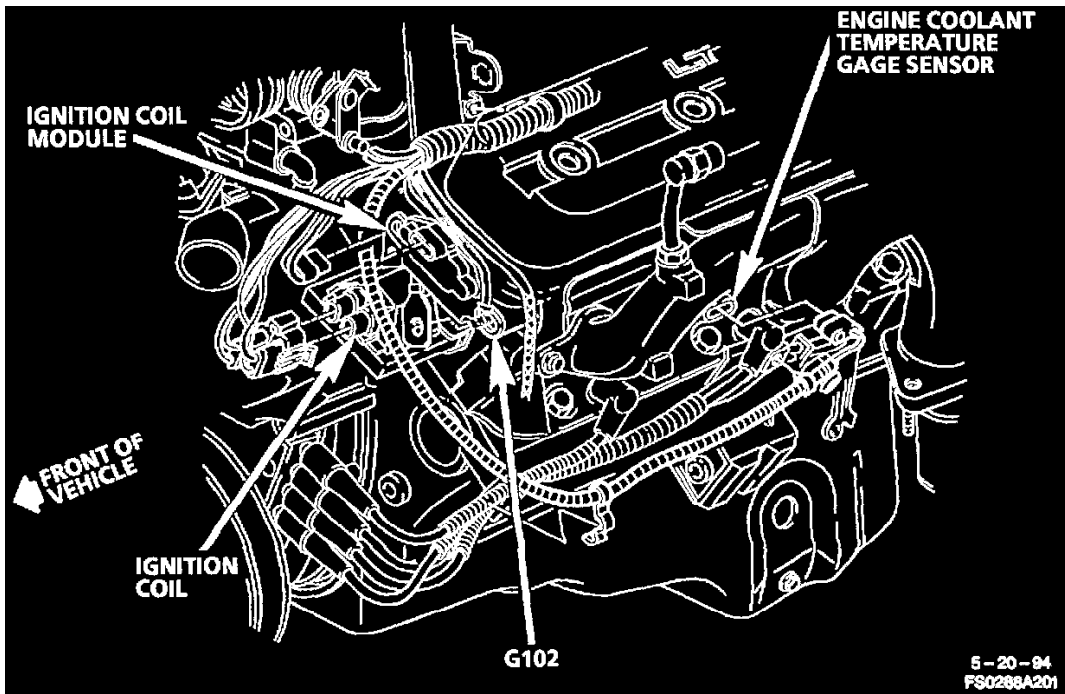
Center Of Dash Mat Above Floor Tunnel



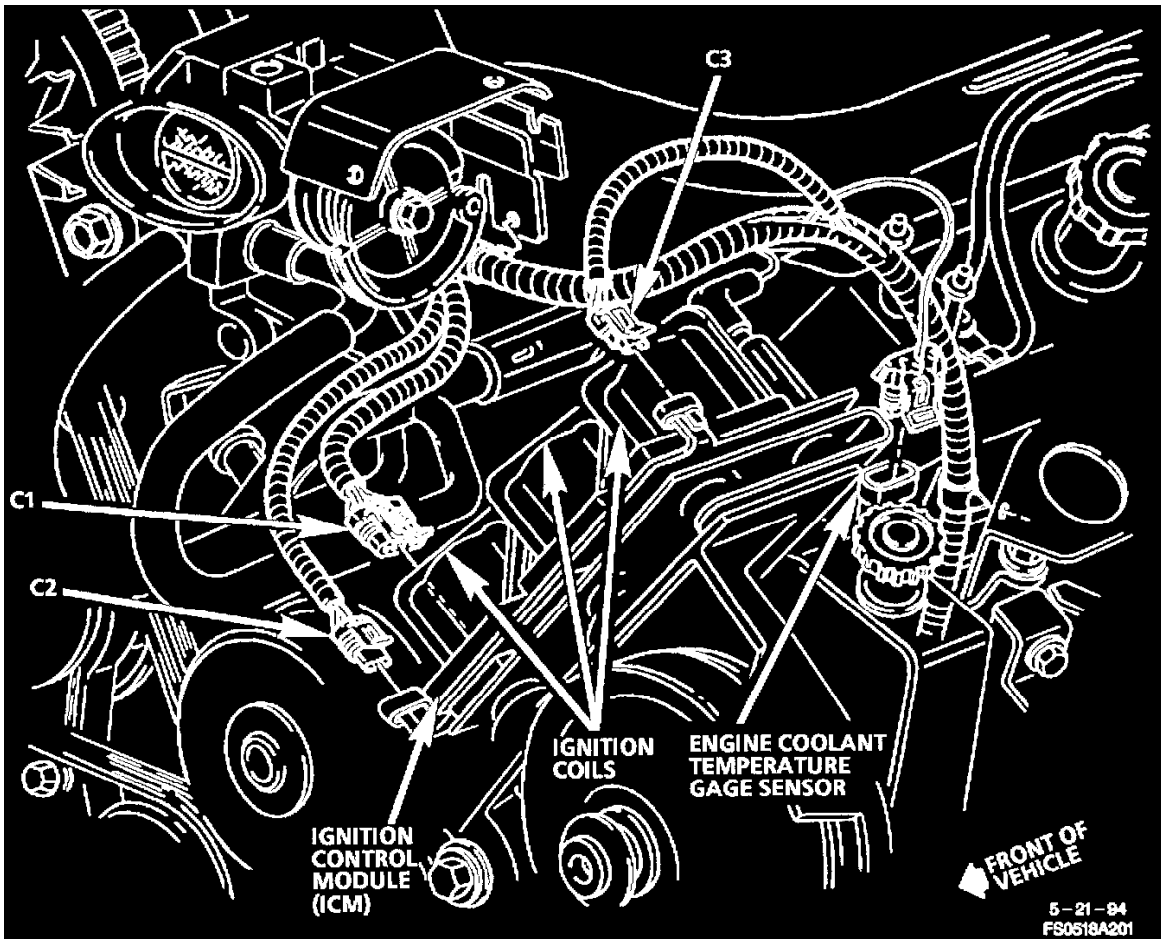
Dash Panel With Cross Car Harness



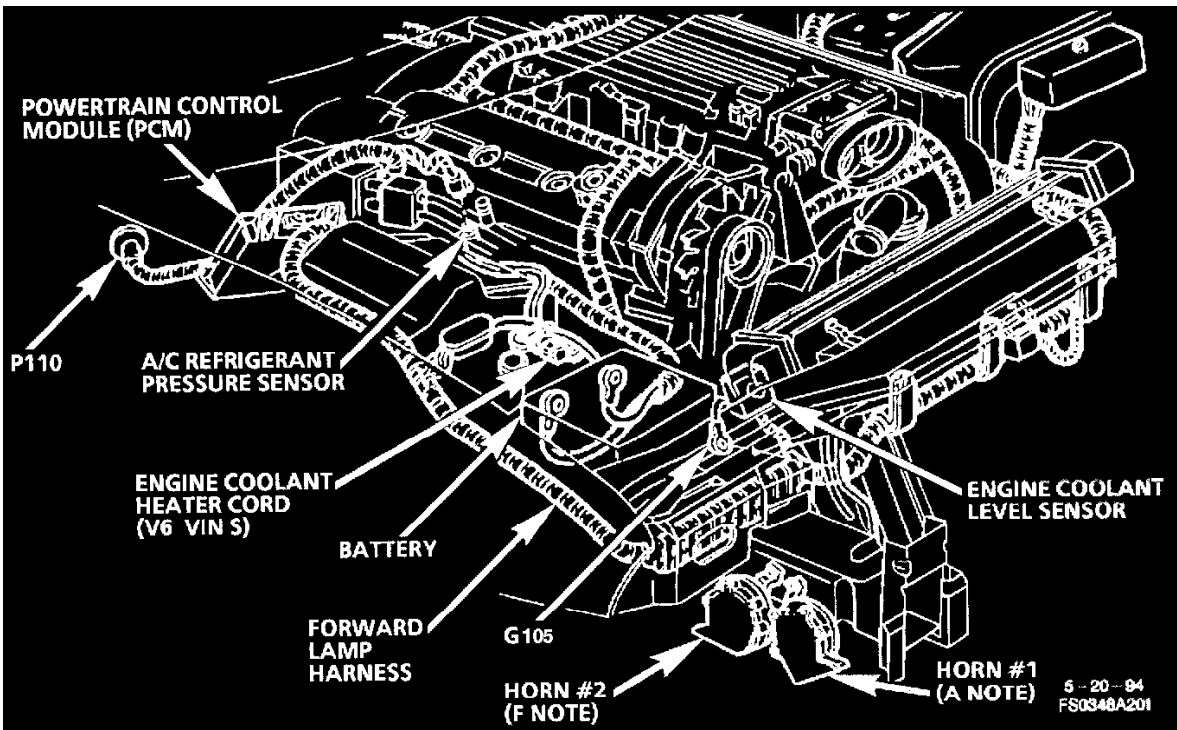
Engine Compartment (LT1, L32/L36 Similar)



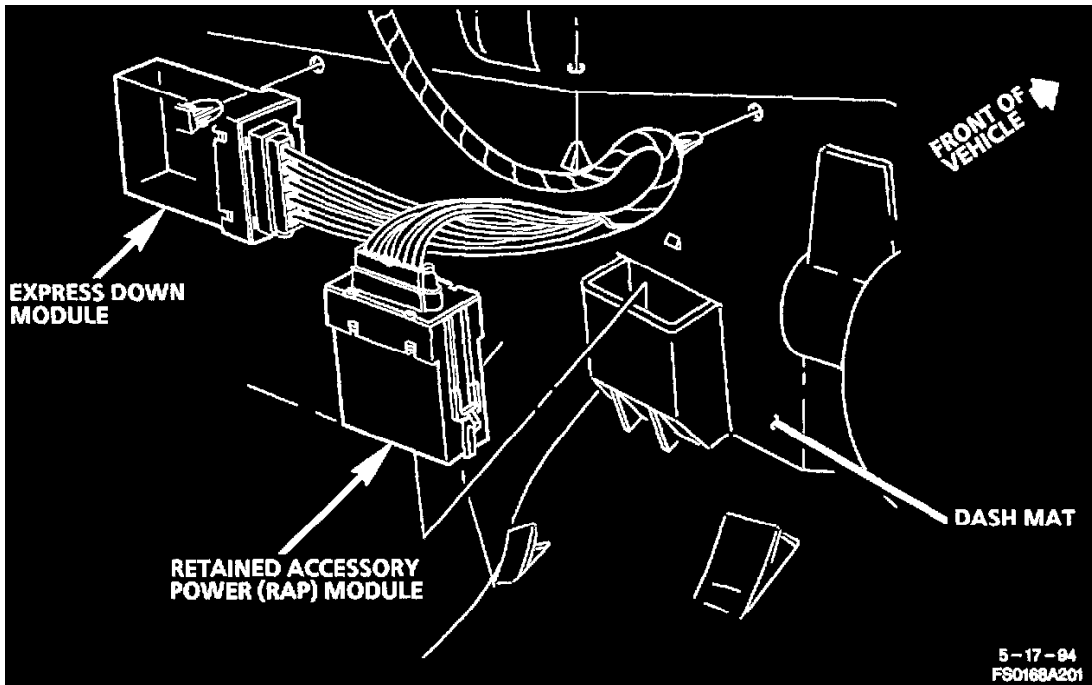
Front LH Side Of Engine



Top Front LH Side Of Engine

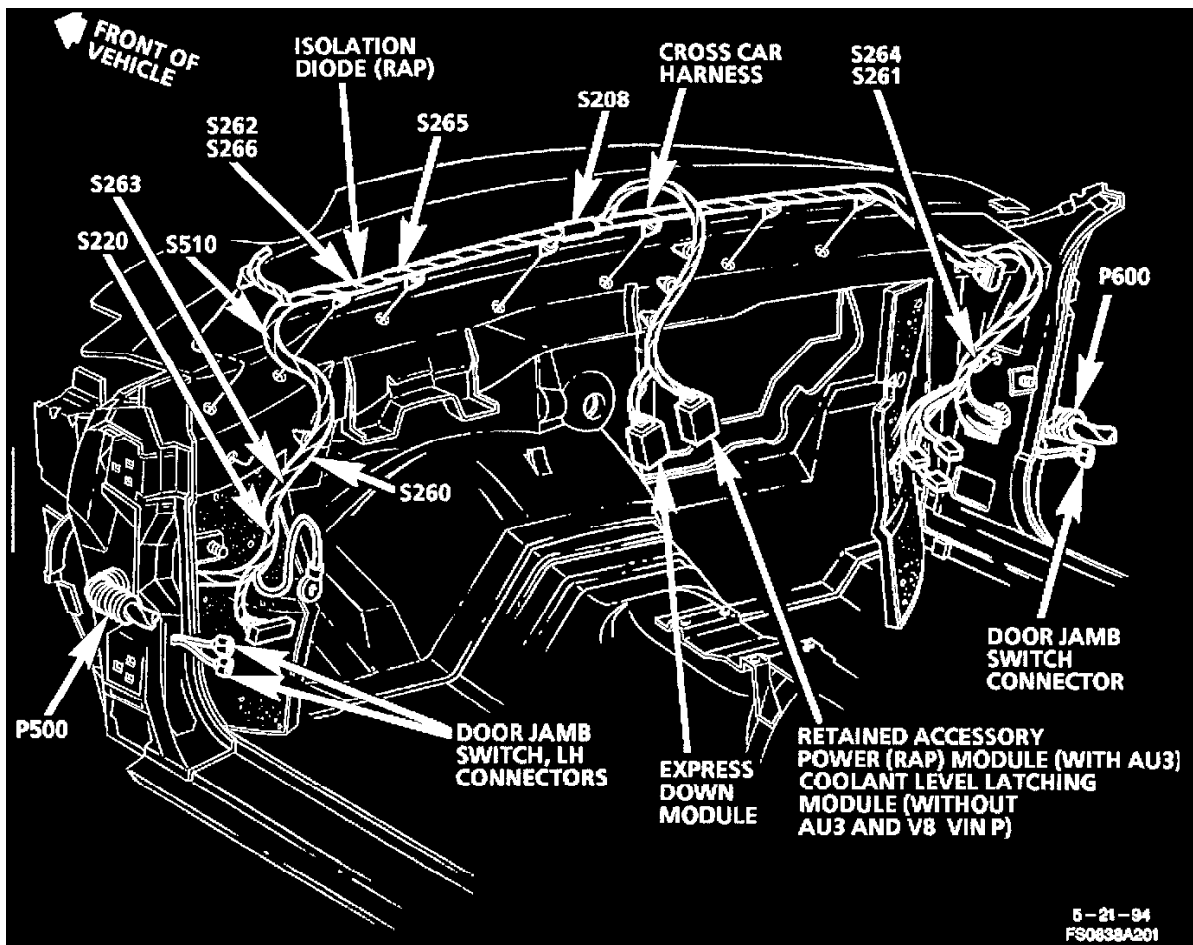


Engine Compartment (LT1, L32/L36 Similar)

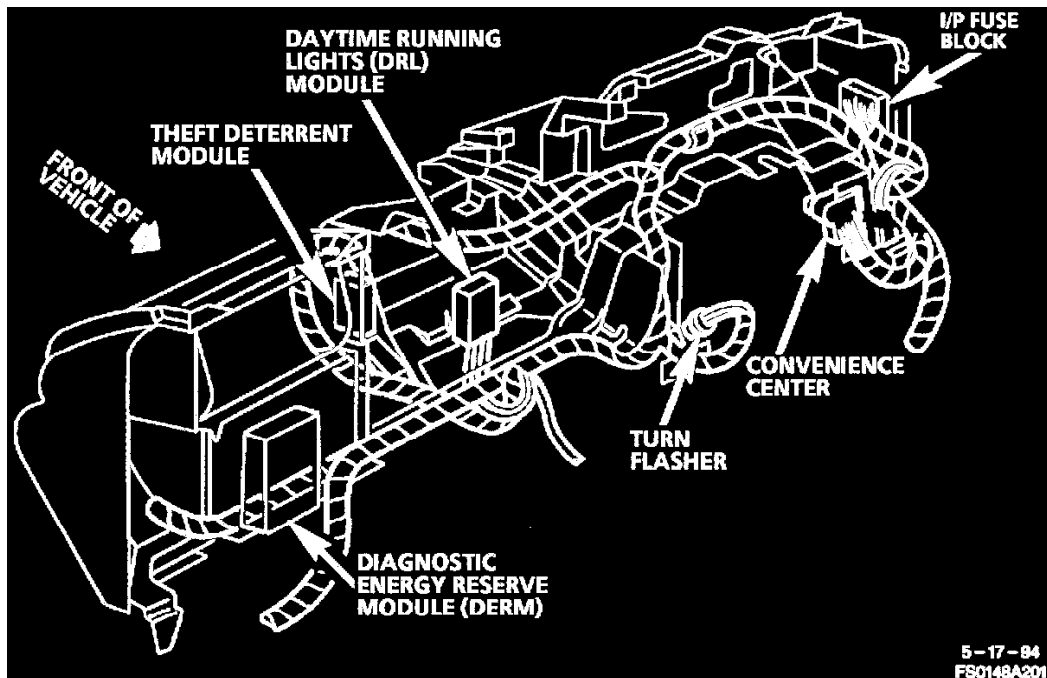


Center Of Dash Mat Above Floor Tunnel

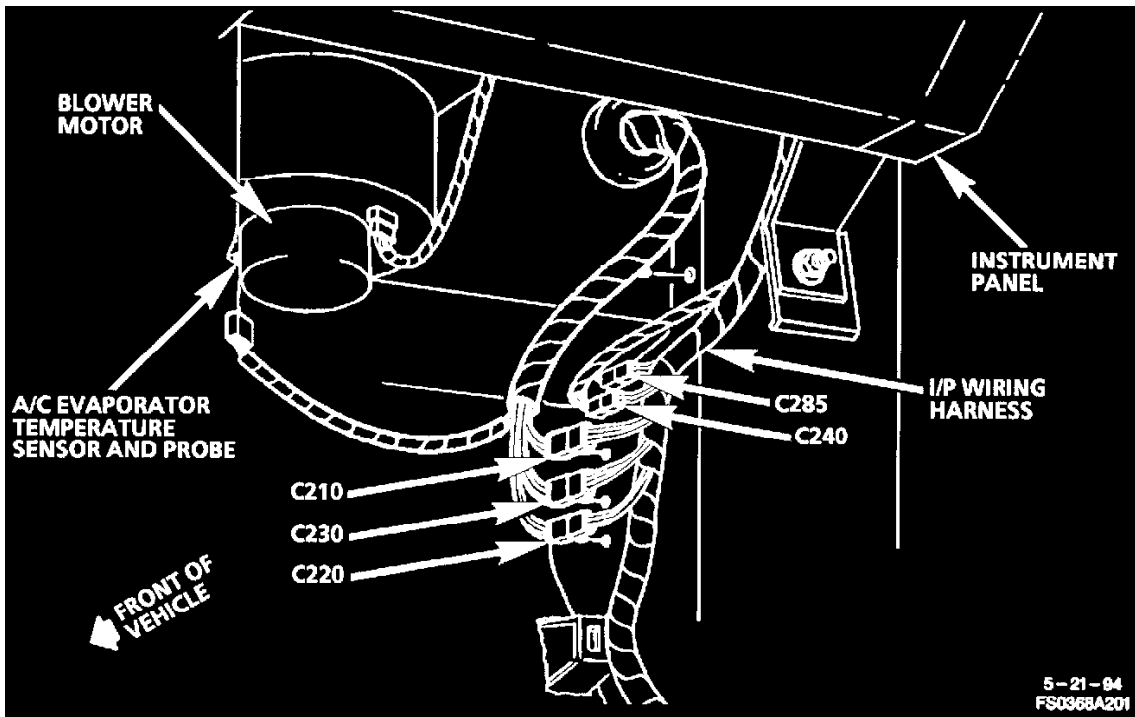




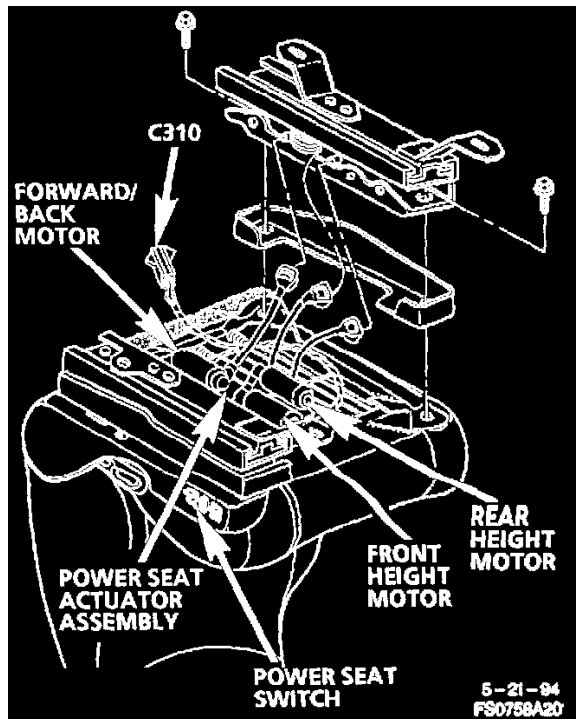
Dash Panel With Cross Car Harness



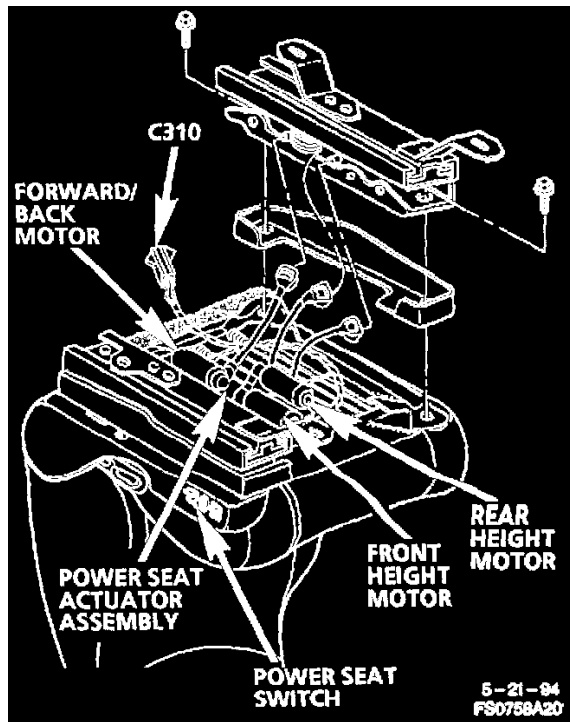
Rear View Of I/P Carrier



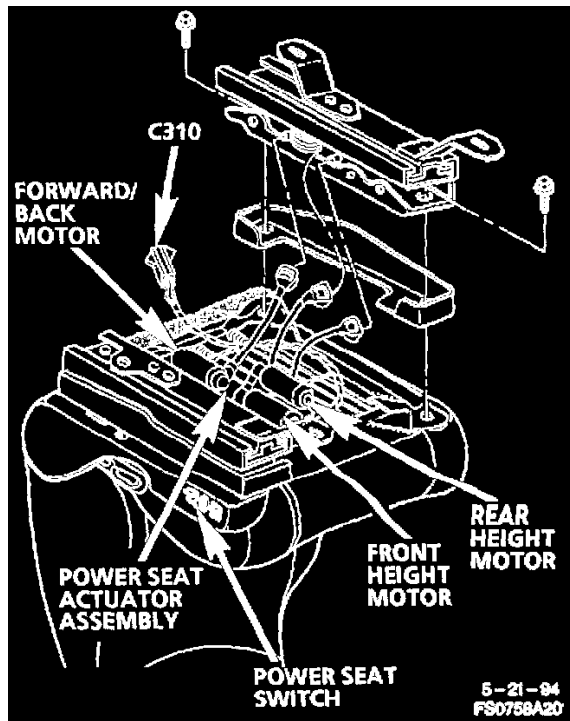
Behind Lower RH Side Of I/P



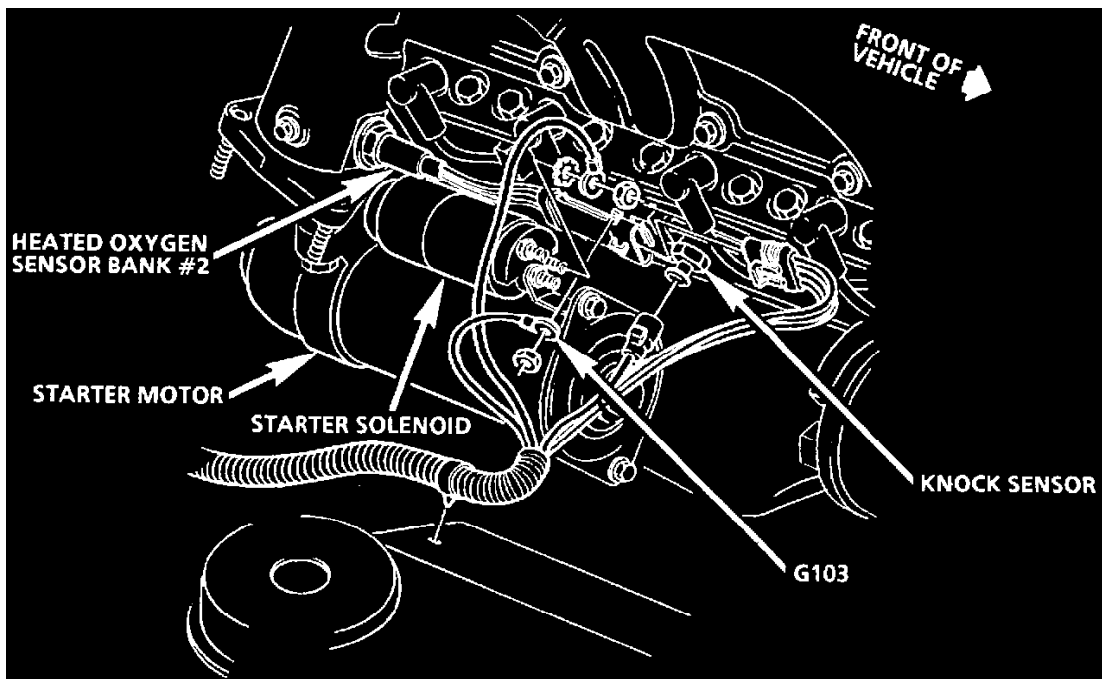
Bottom Of Driver Seat (AC3)



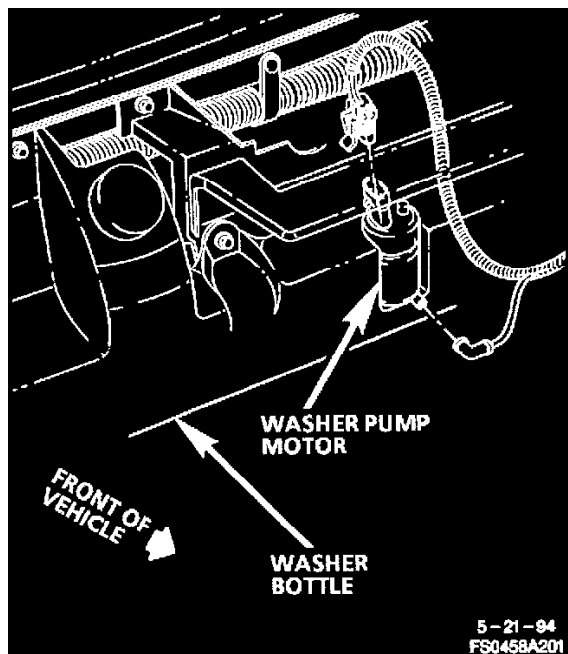
Bottom Of Driver Seat (AC3)



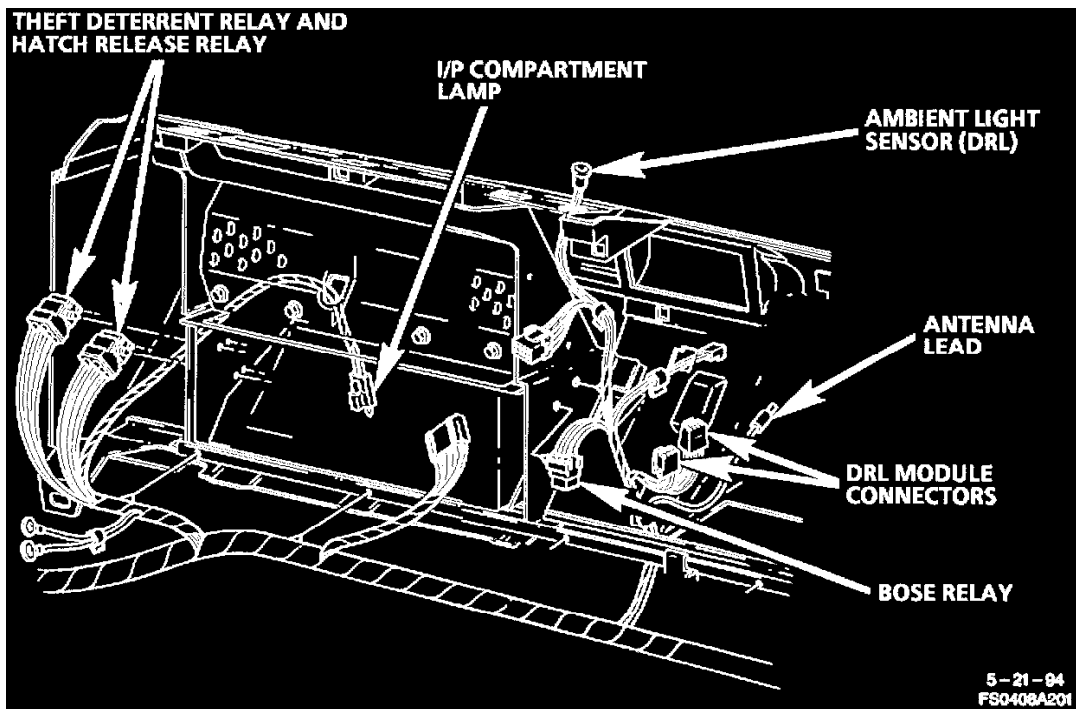
Bottom Of Driver Seat (AC3)



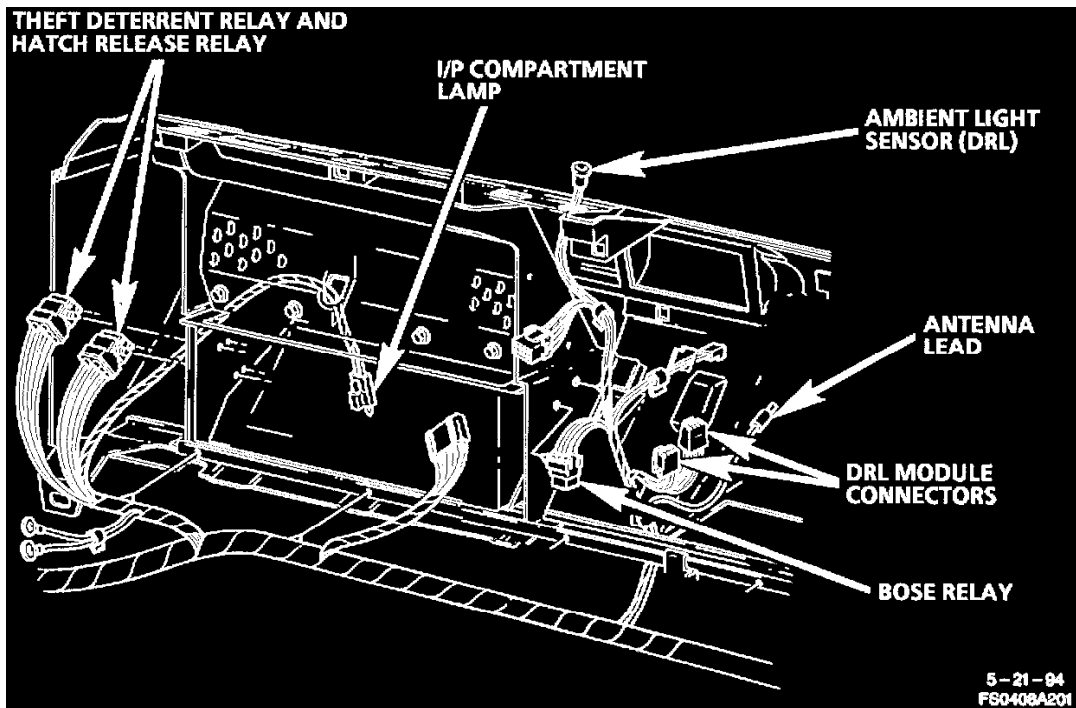
Lower RH Side Of Engine



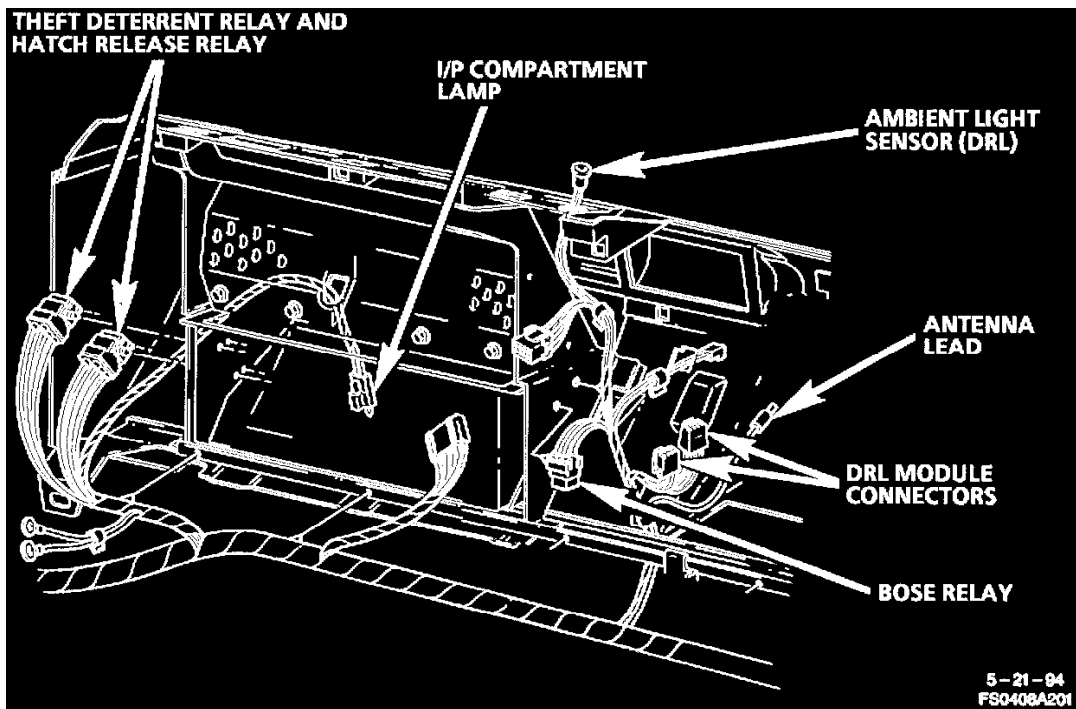
Front Of Vehicle Forward Of Tie Bar



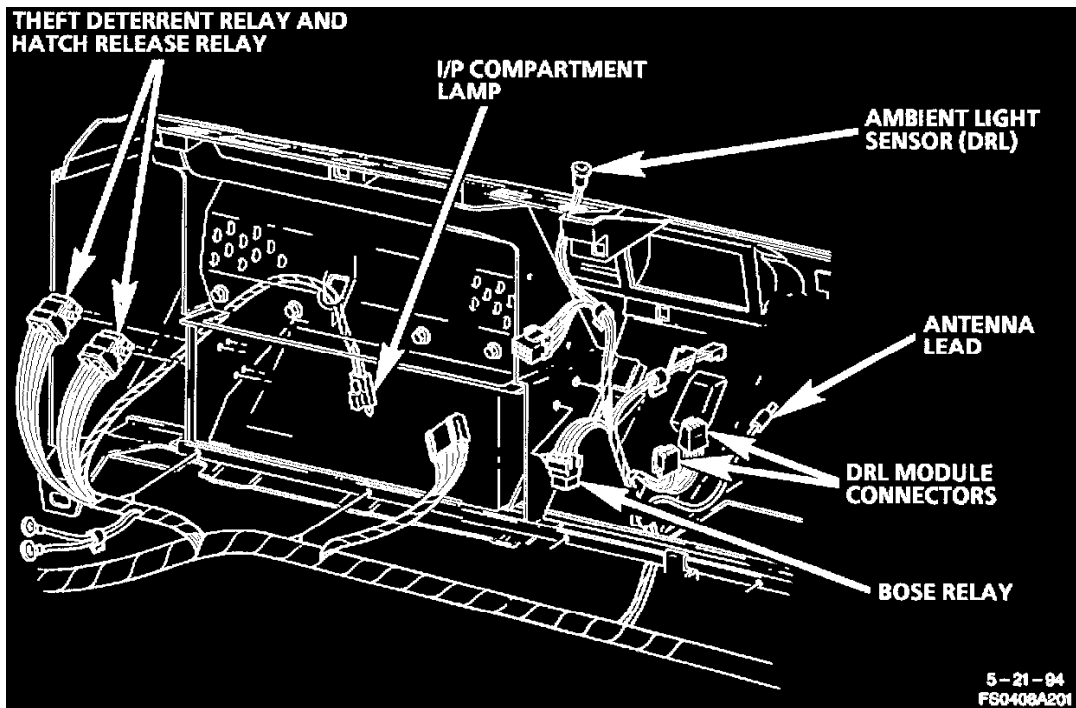
Behind RH Side Of I/P



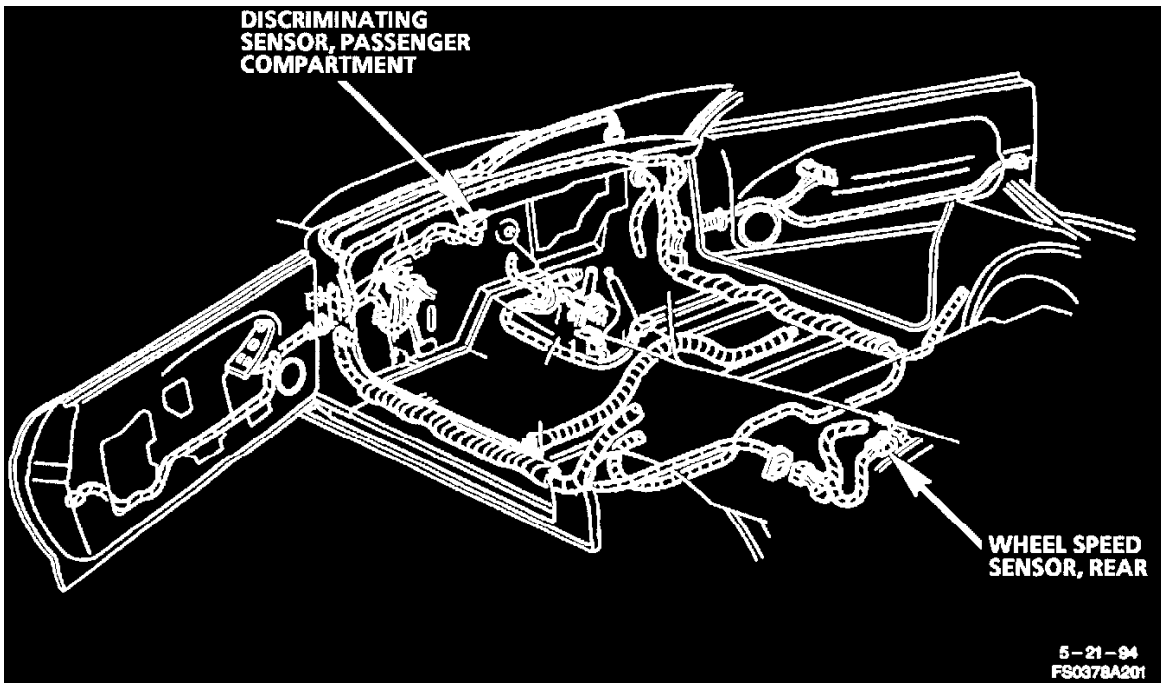
Behind RH Side Of I/P



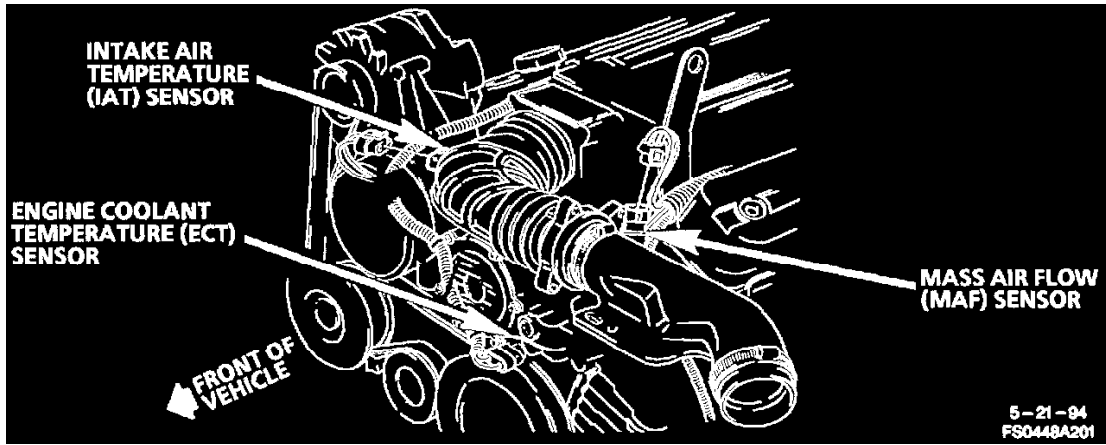
Behind RH Side Of I/P



Behind RH Side Of I/P

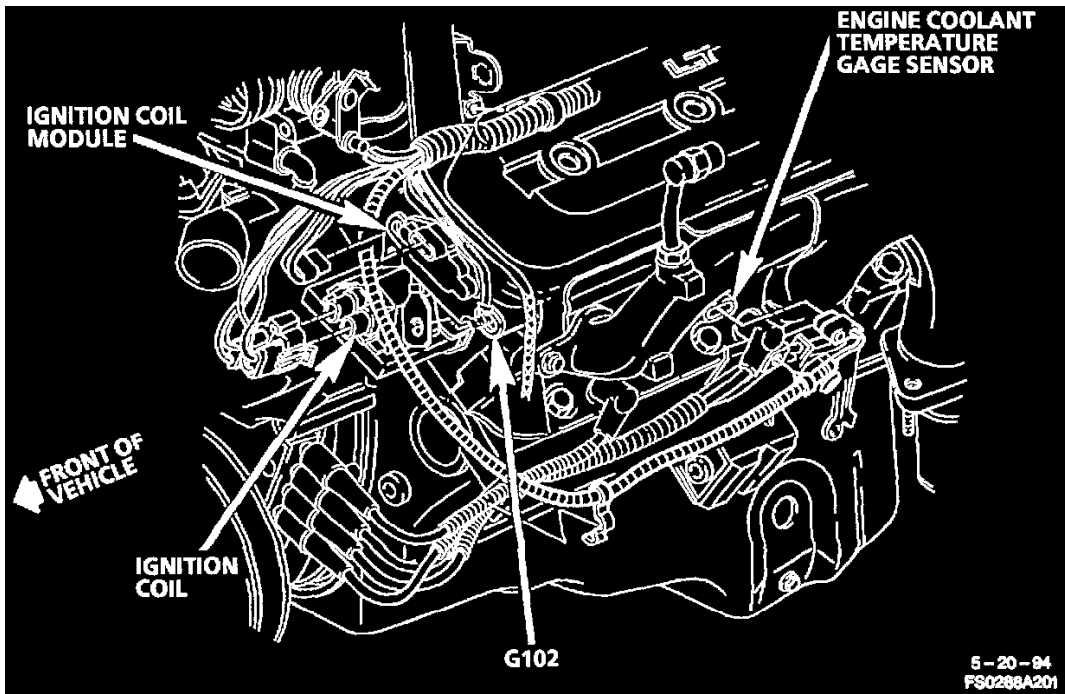


General Harness Routing View



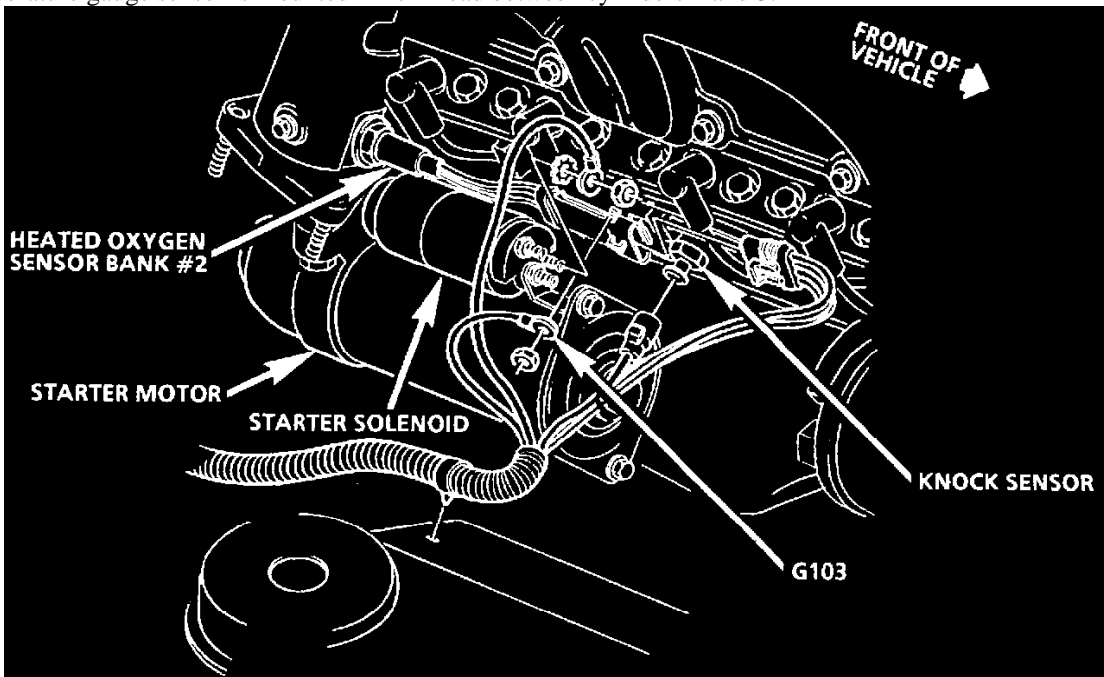
Front Of Engine

Engine Coolant Temperature Gauge Sensor



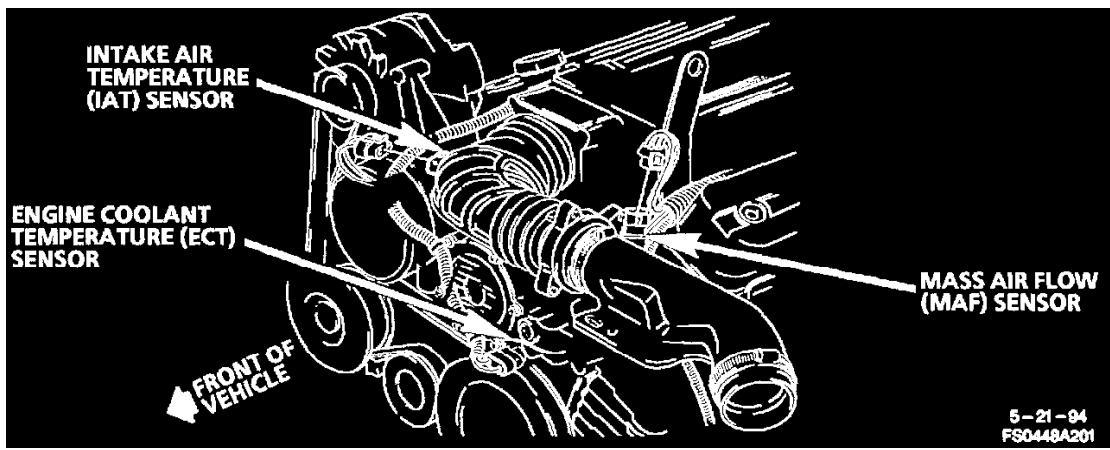
Front LH Side Of Engine

The engine coolant temperature gauge sensor is mounted in L/H head between cylinders 1 and 3.

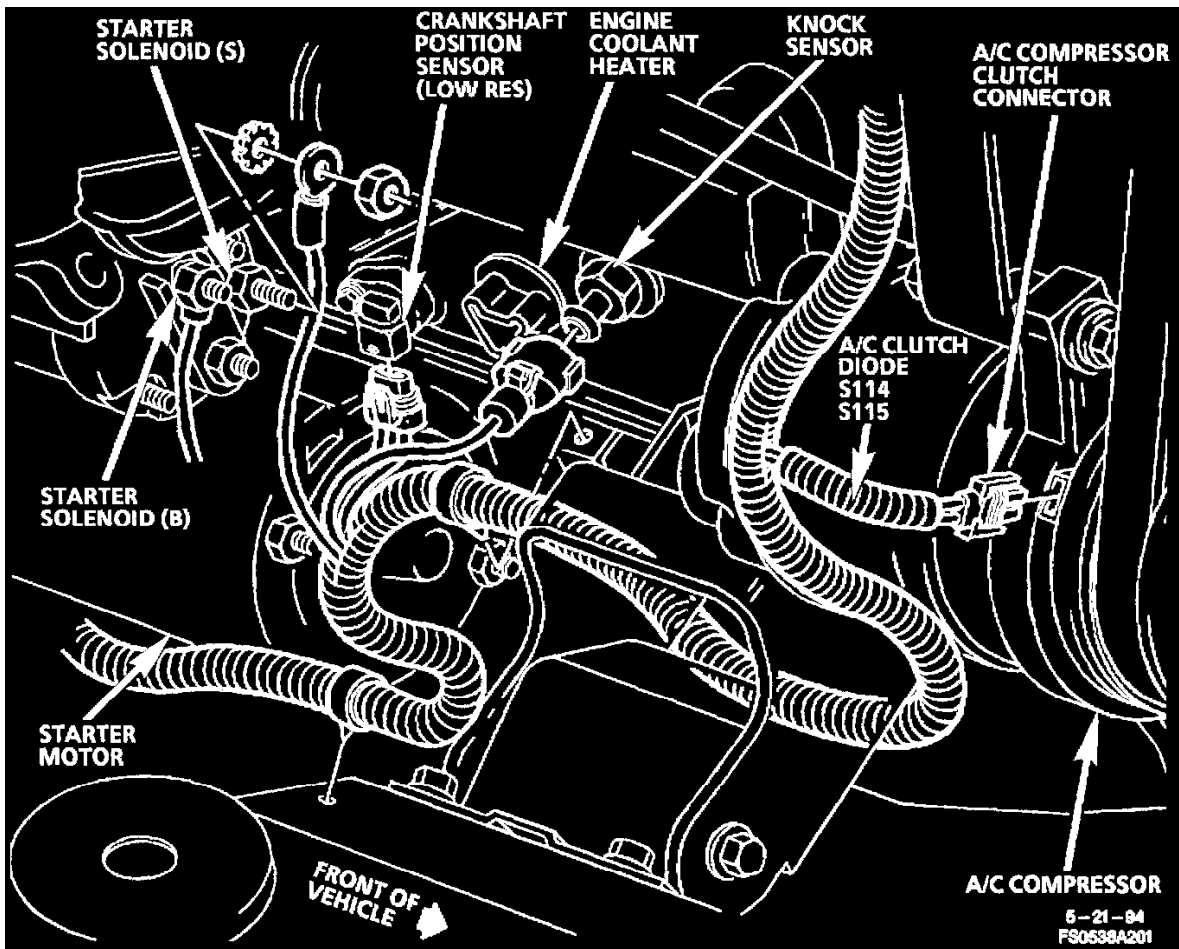


Lower RH Side Of Engine

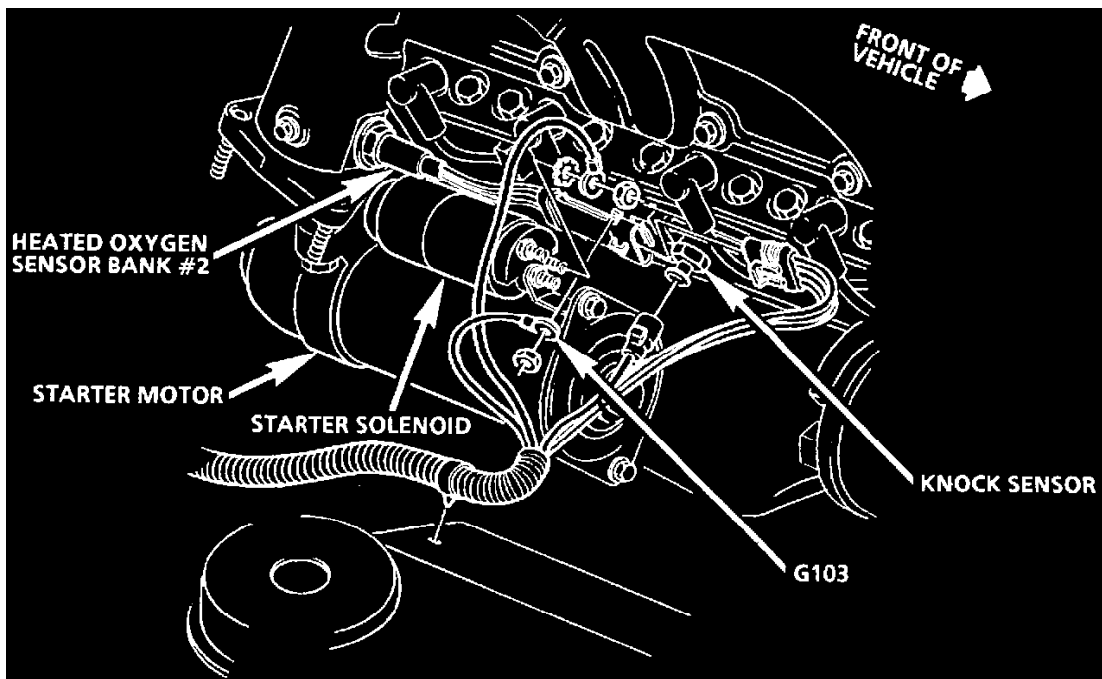




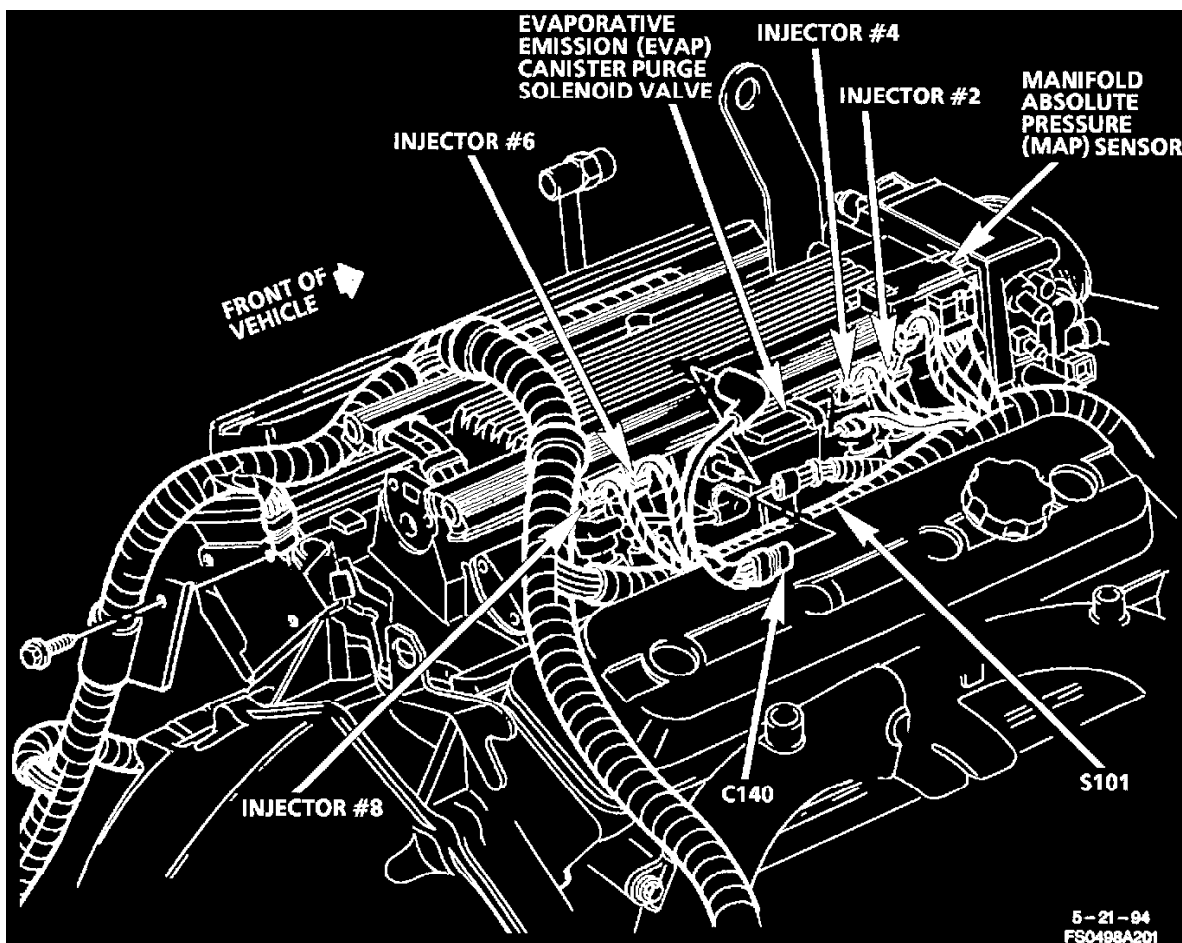
Front Of Engine



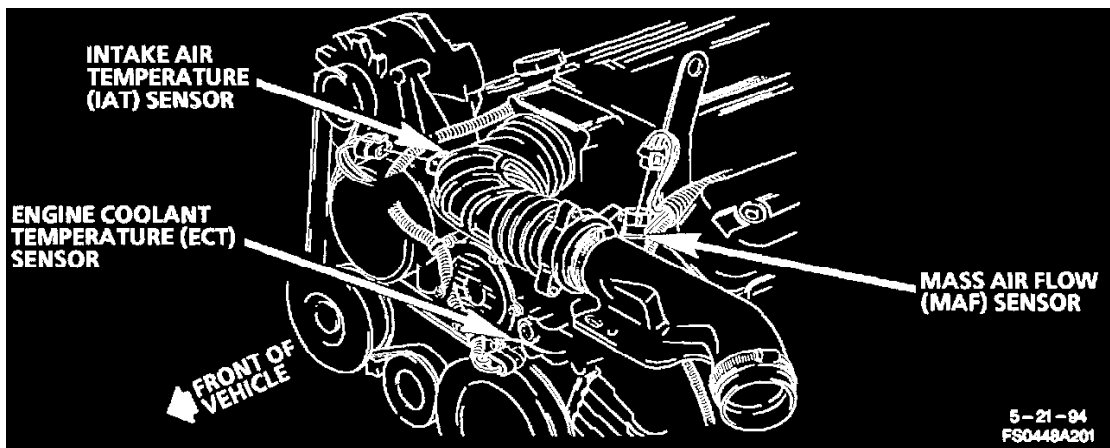
RH Side Of Engine



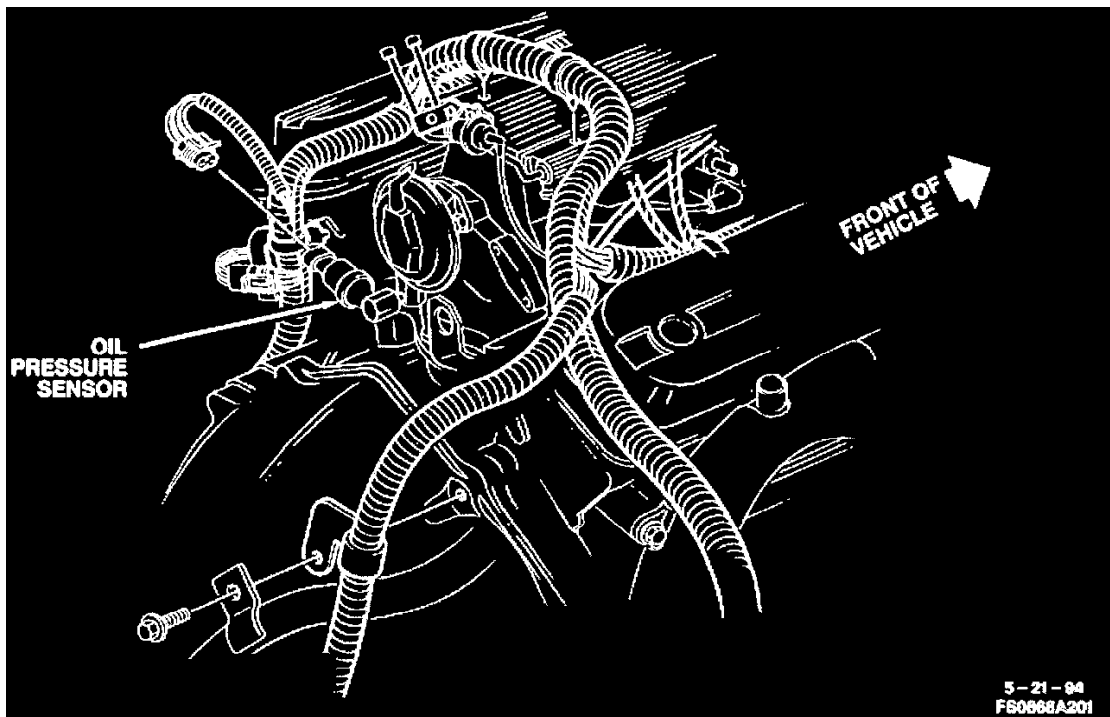
Lower RH Side Of Engine



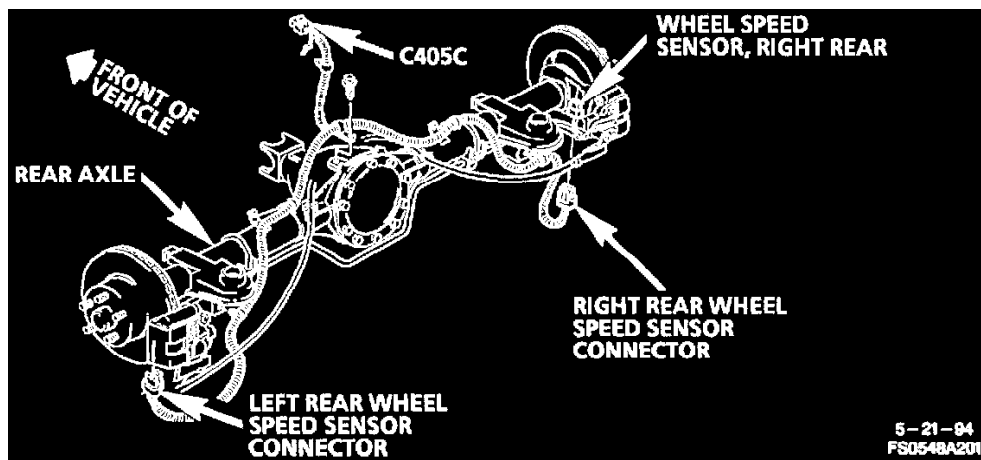
RH Side Of Engine



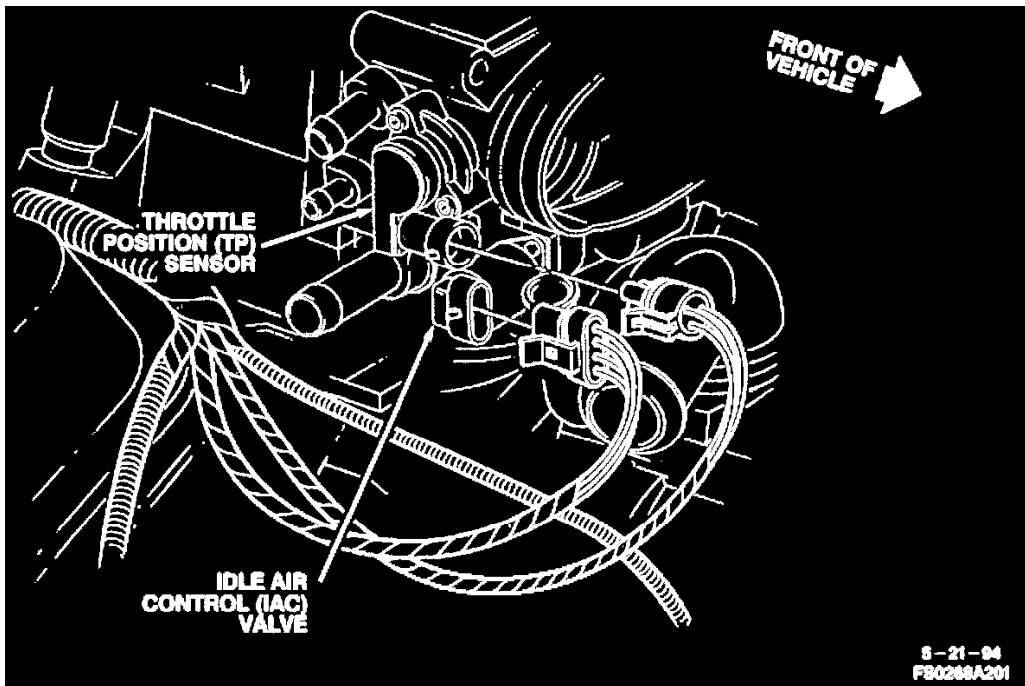
Front Of Engine



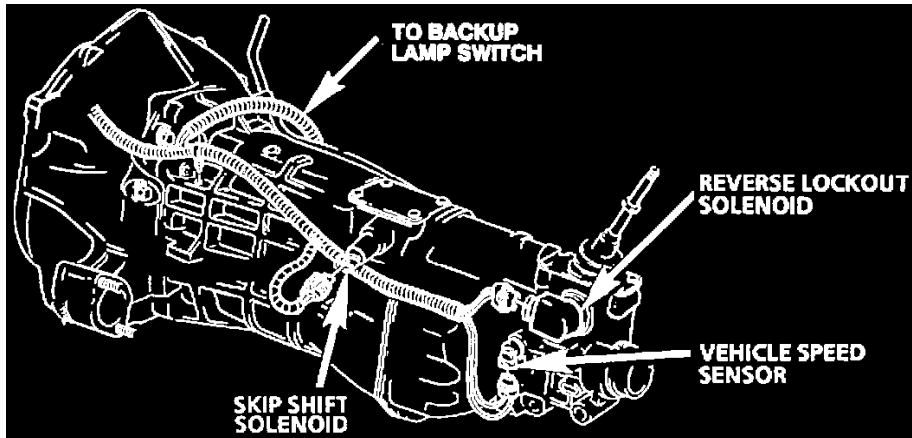
RH Side Of Engine



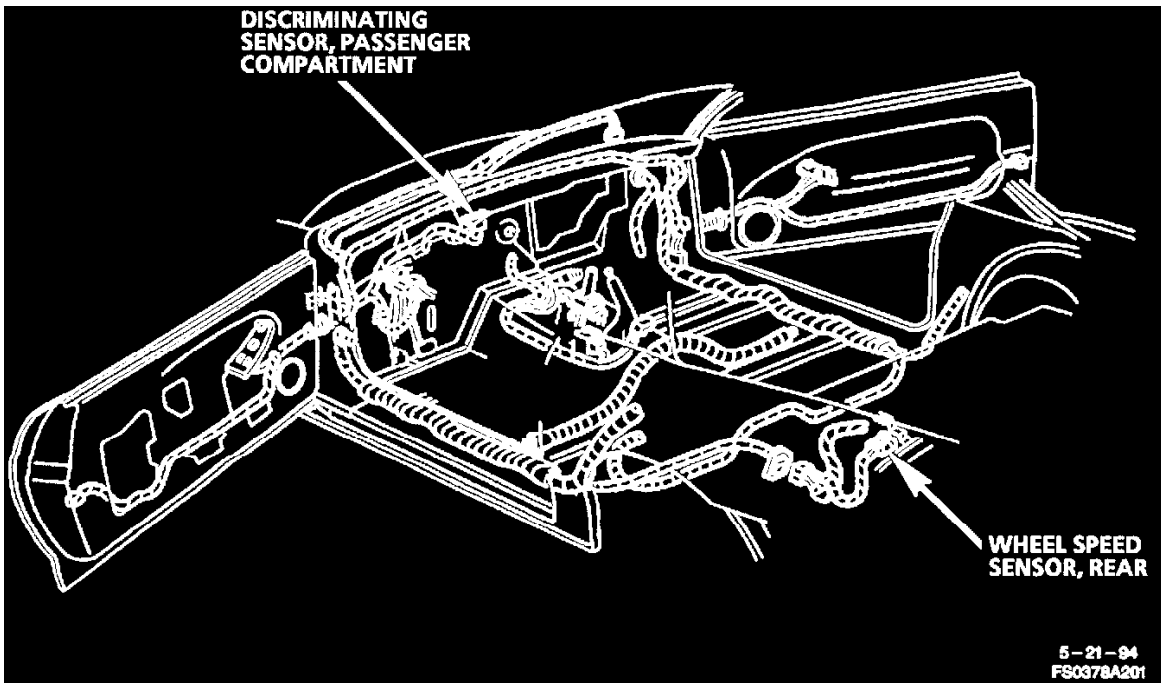
Rear Axle And Differential (With NW9)



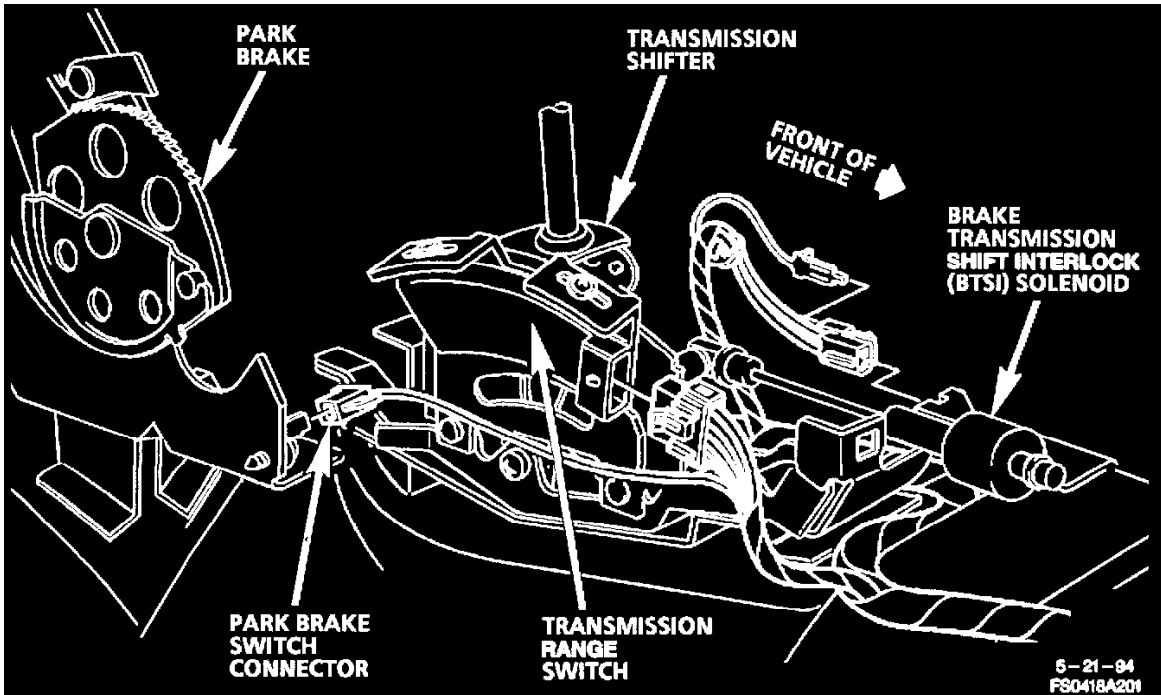
Throttle Position Sensor



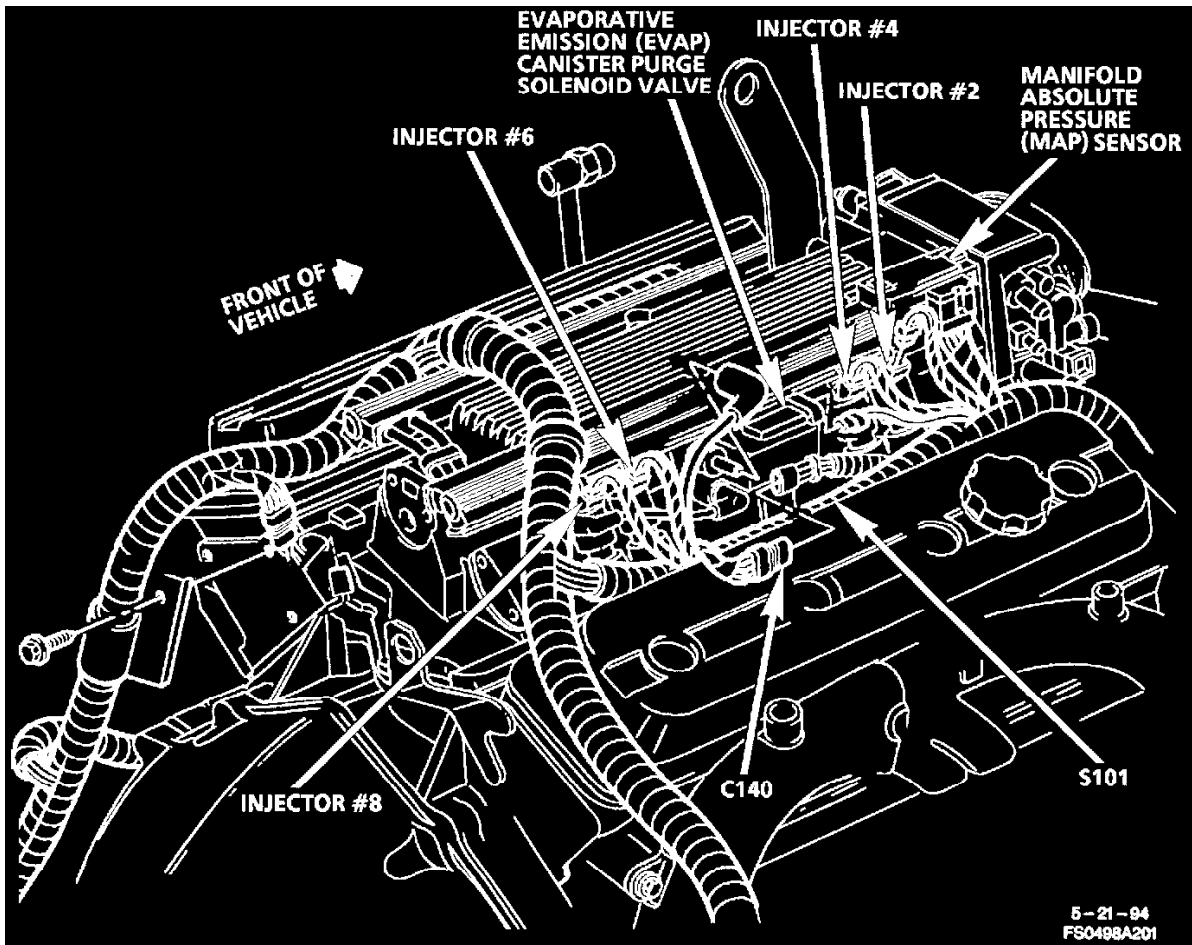
LH Side Of Manual Transmission (MM6)



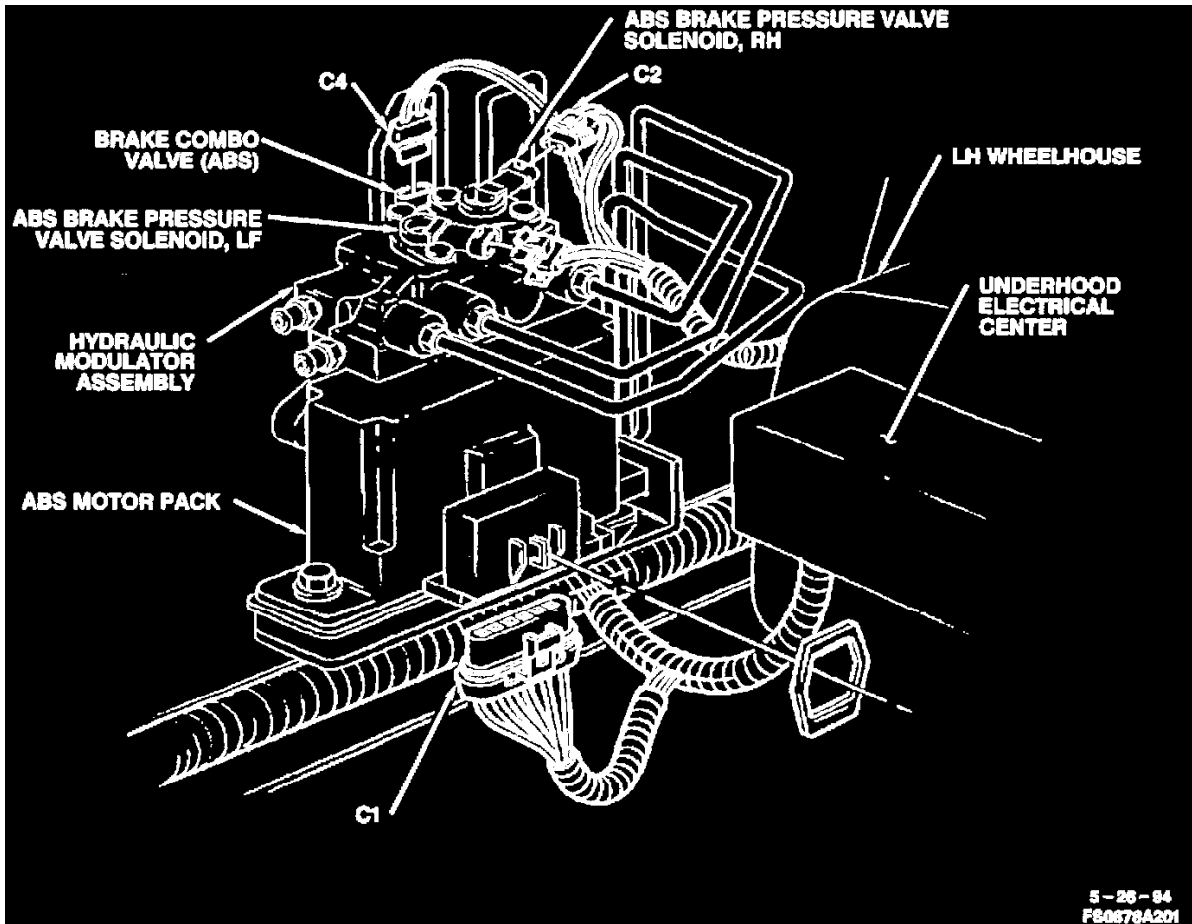
General Harness Routing View



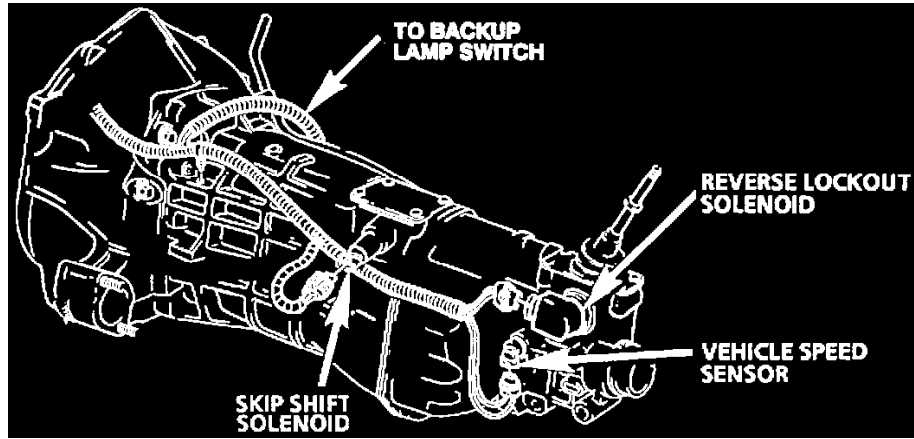
Rear Side Under Console-Automatic (M30)



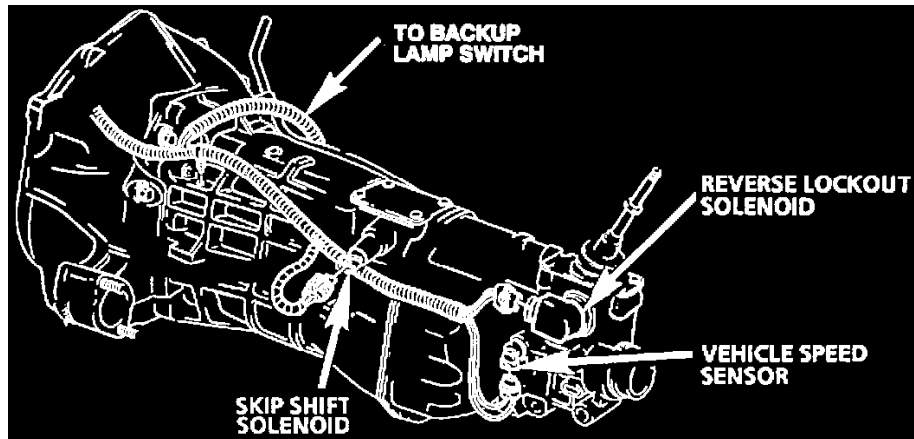
RH Side Of Engine



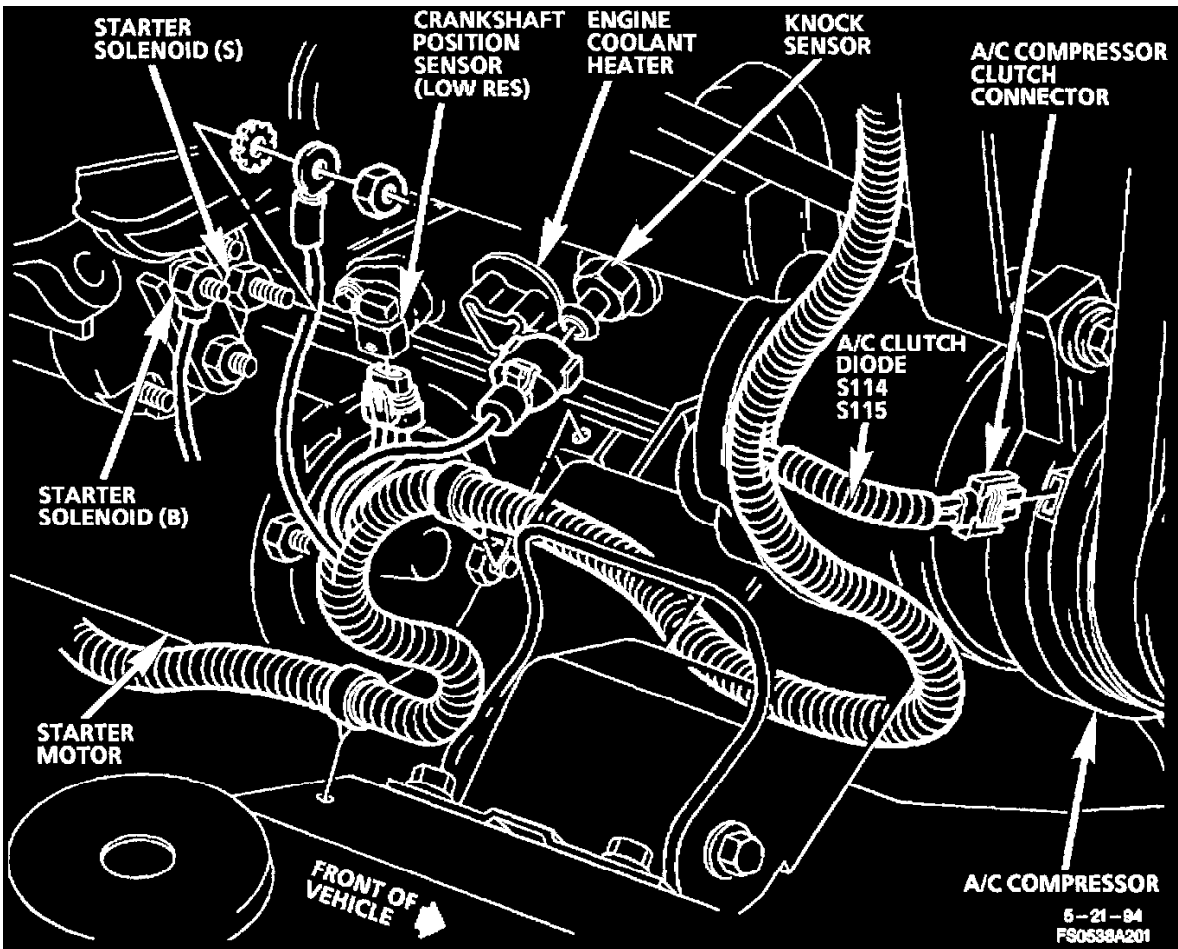
Front LH Side Of Engine Compartment



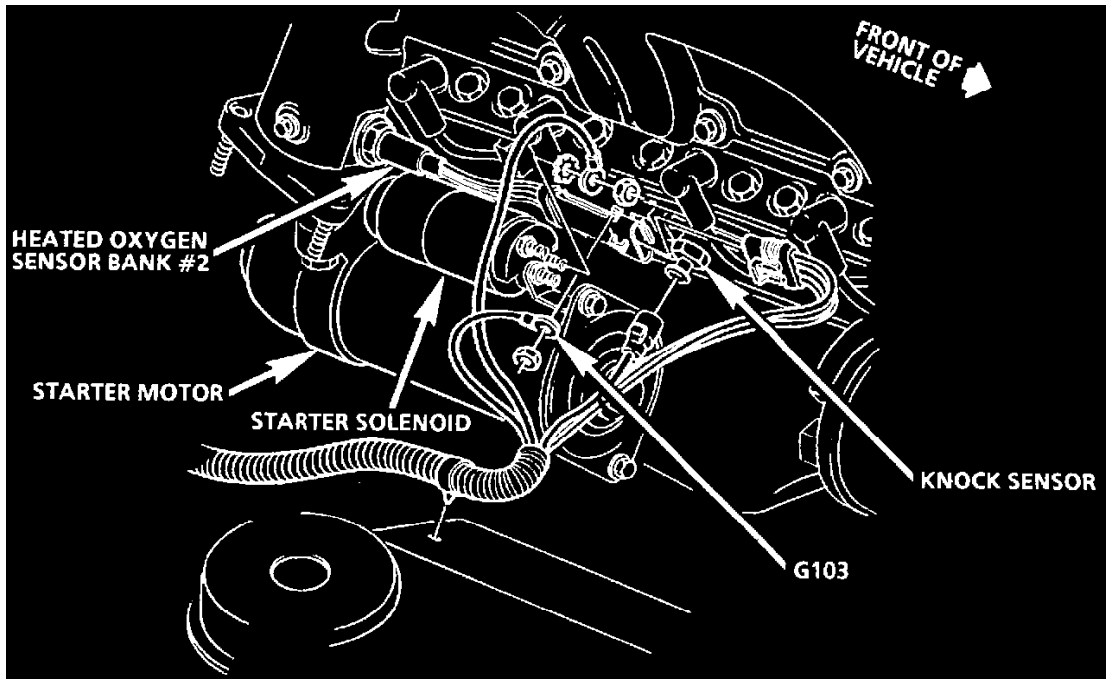
LH Side Of Manual Transmission (MM6)



LH Side Of Manual Transmission (MM6)

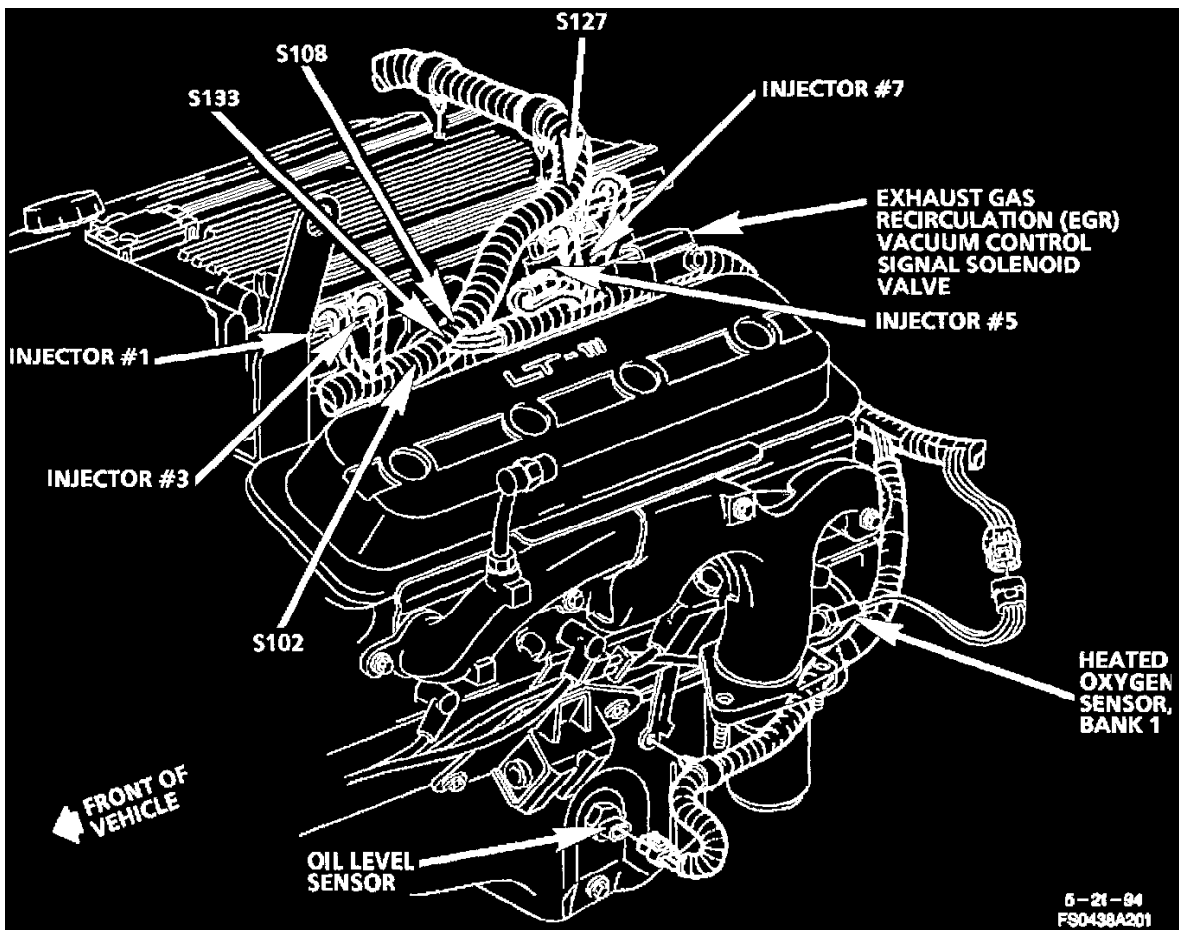


RH Side Of Engine

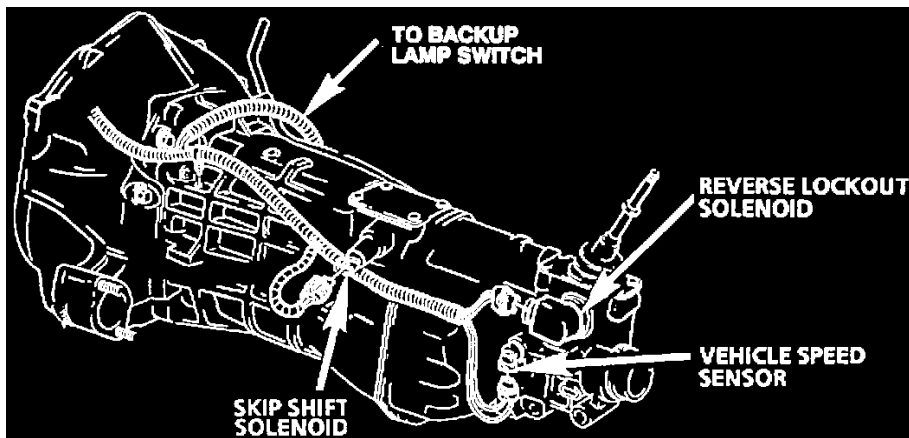


Lower RH Side Of Engine

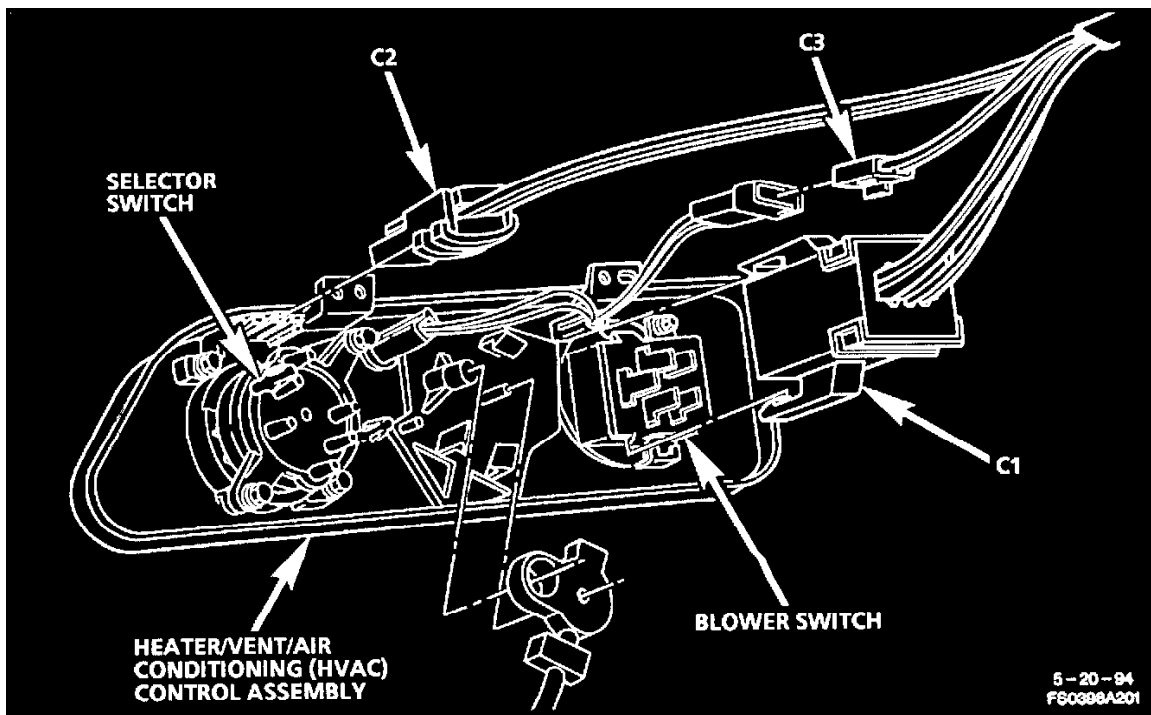




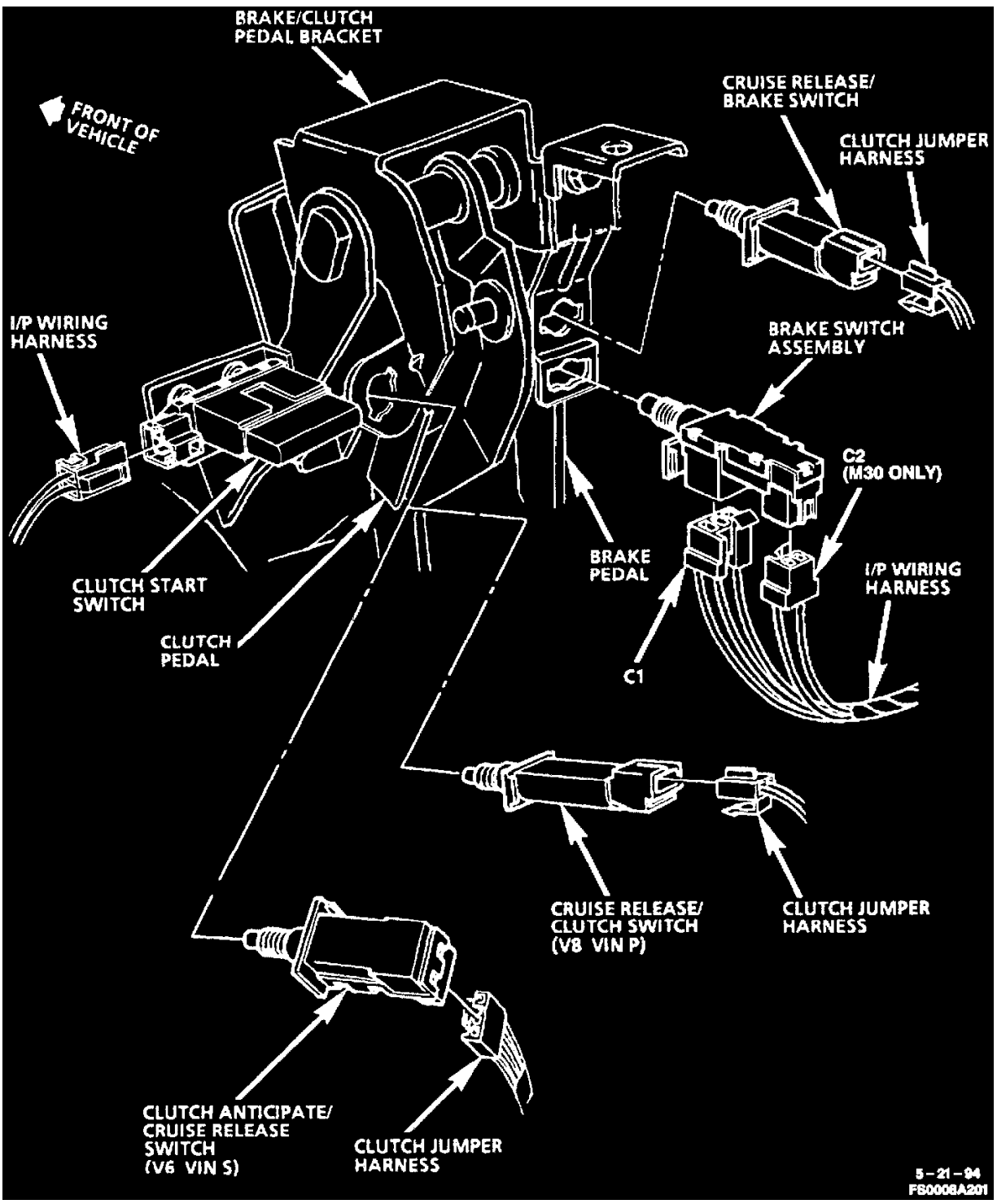
LH Side Of Engine



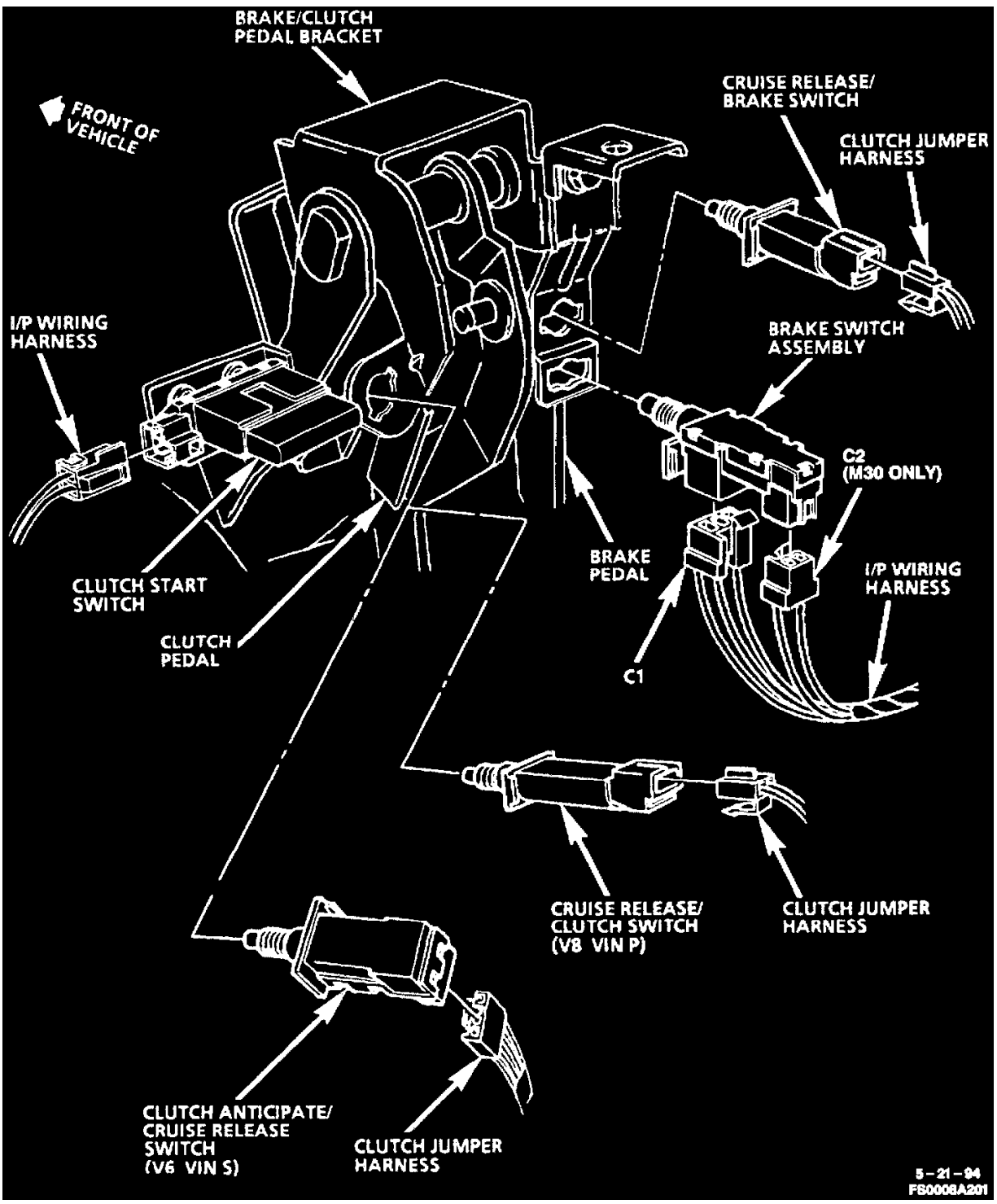
LH Side Of Manual Transmission (MM6)



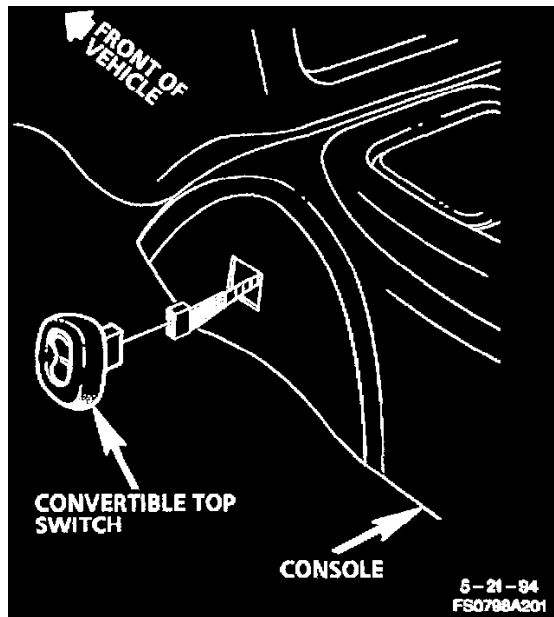
Center Of I/P



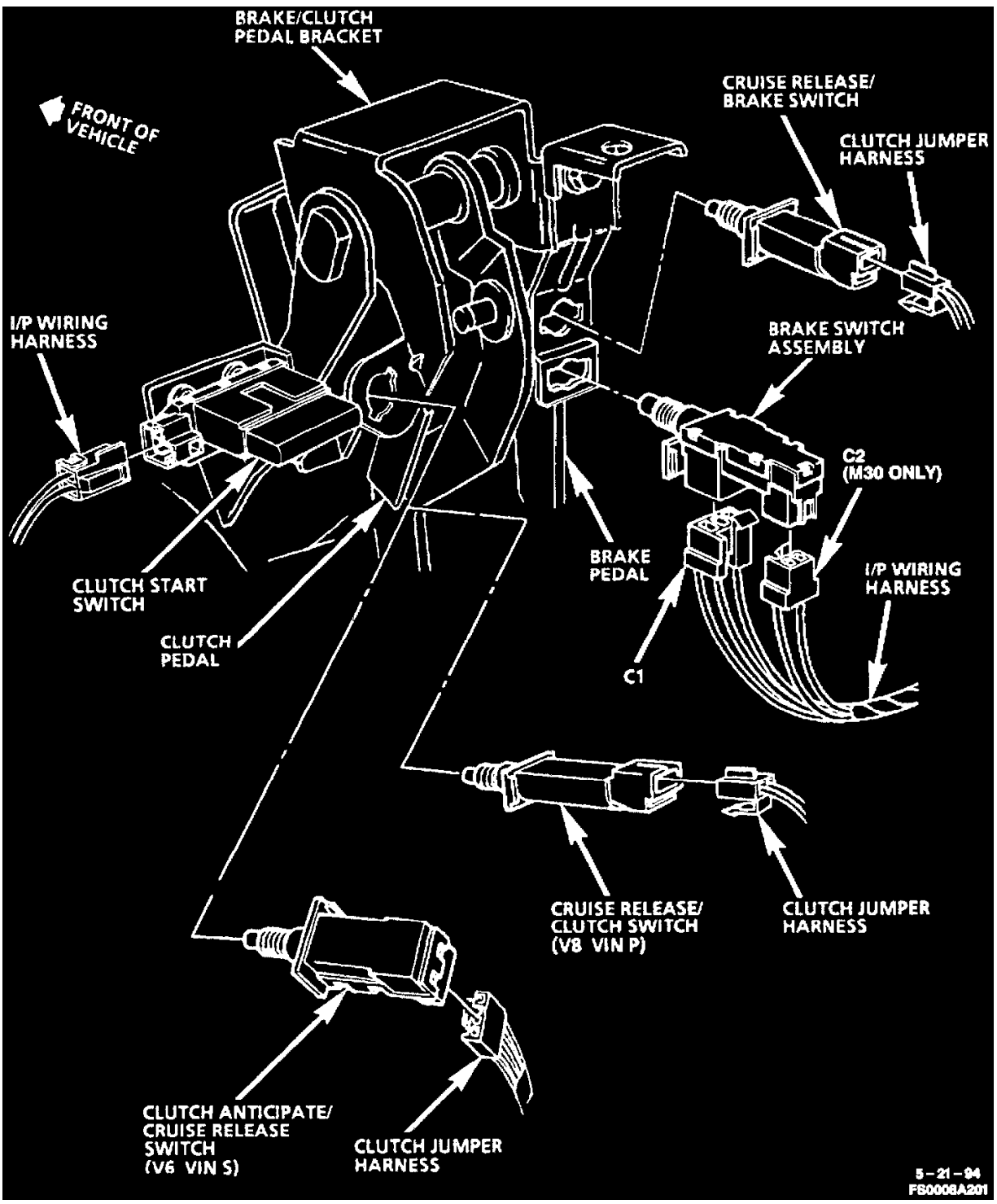
Brake Pedal



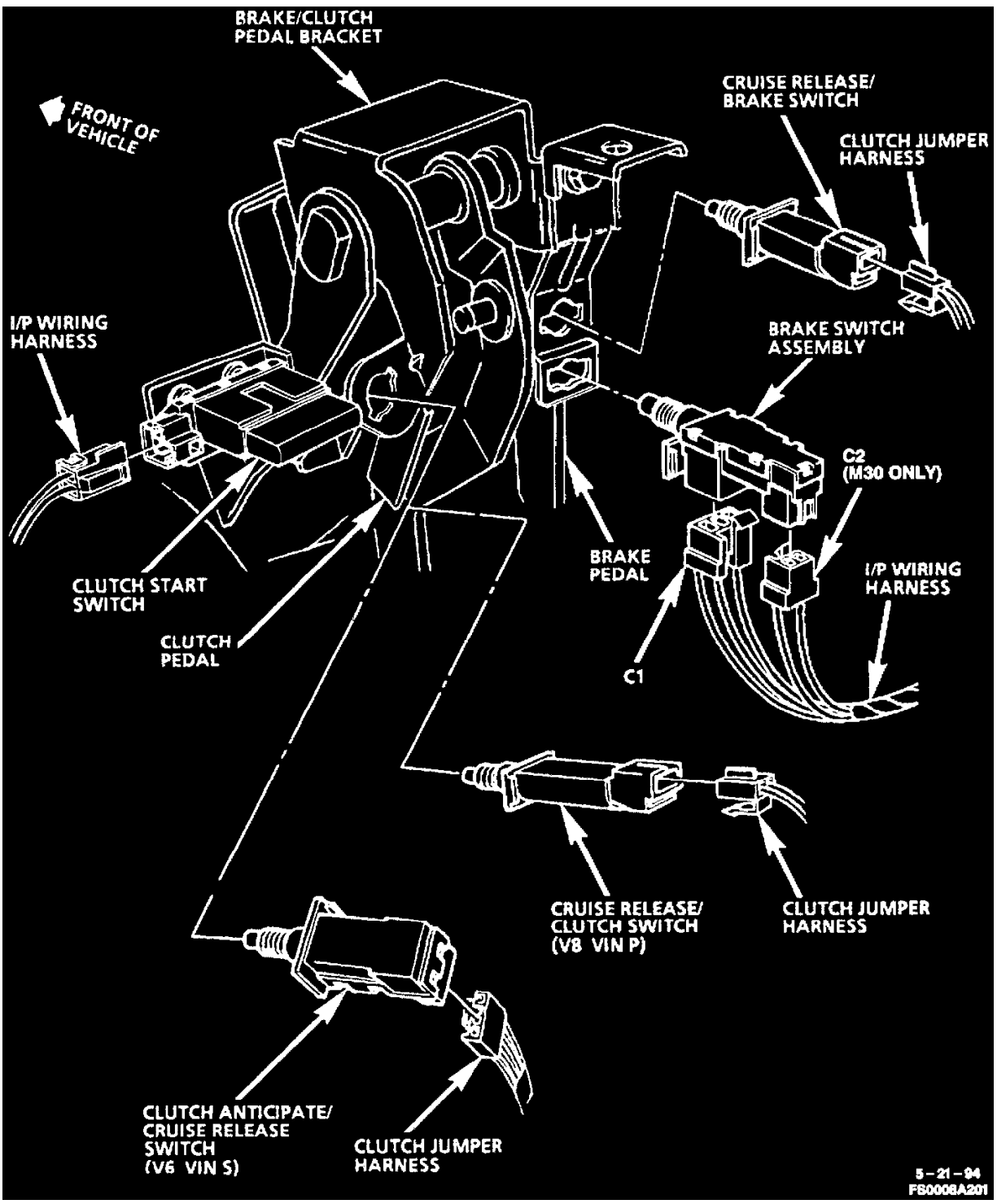
Brake Pedal



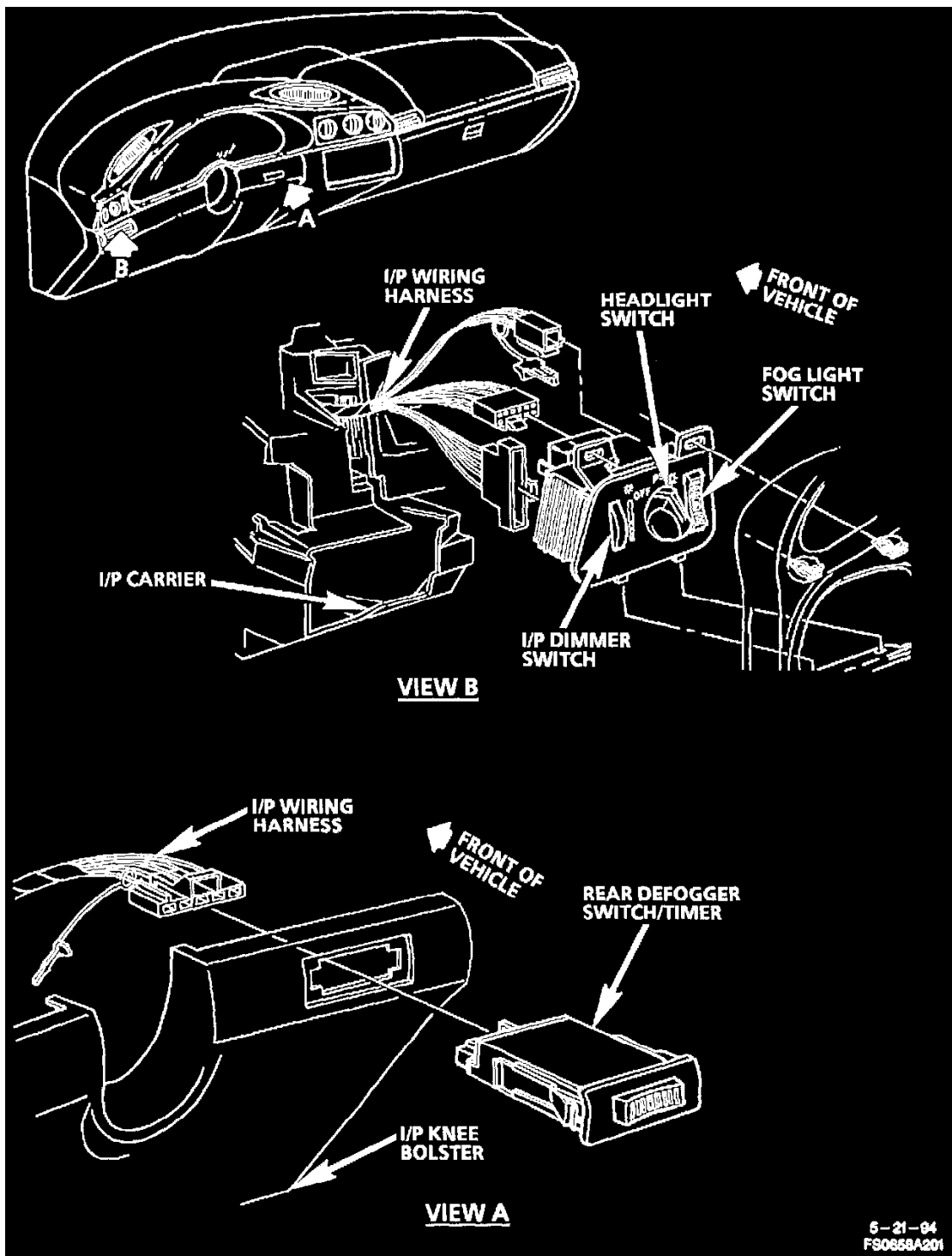
Left Side Of Lower Console



Brake Pedal



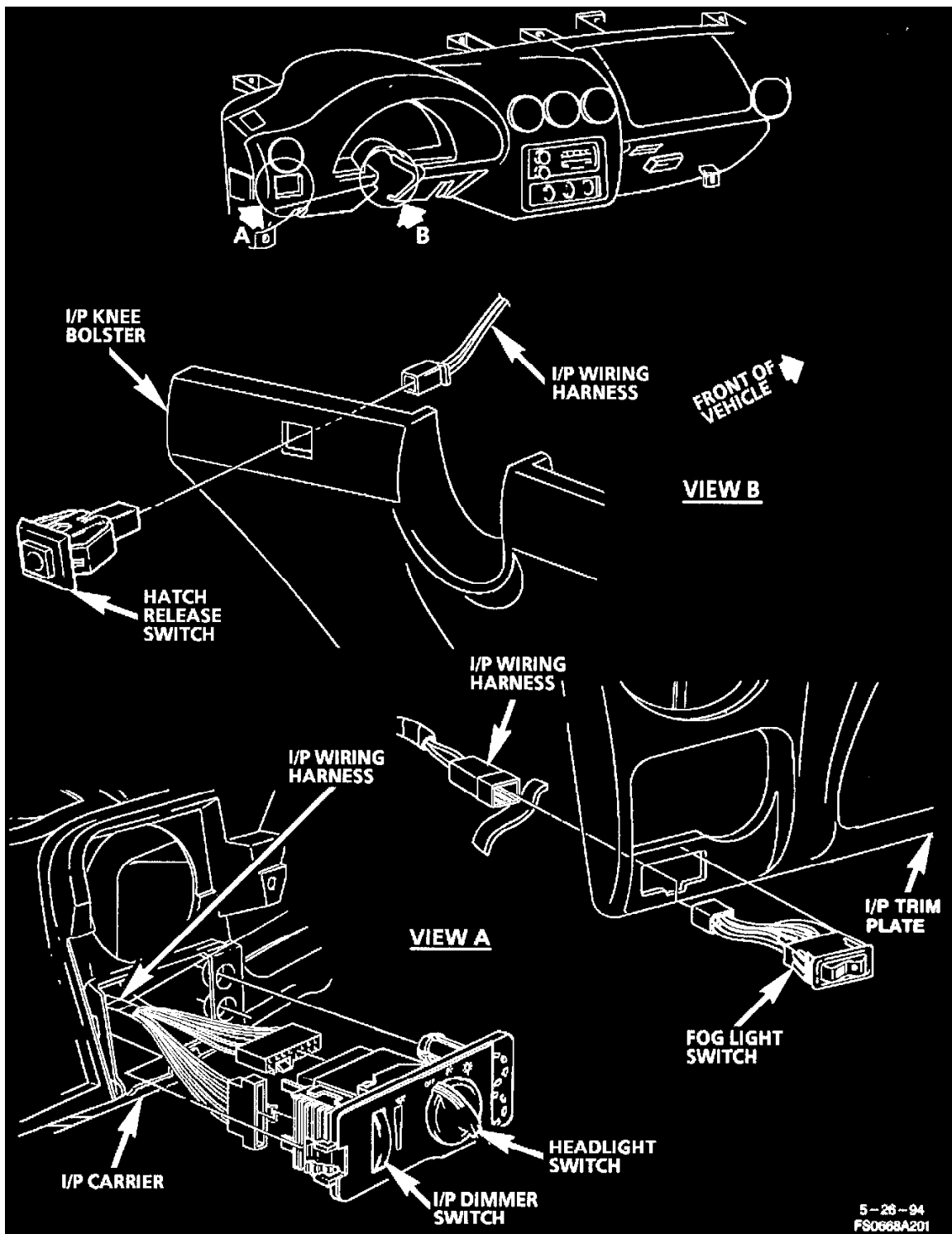
Brake Pedal



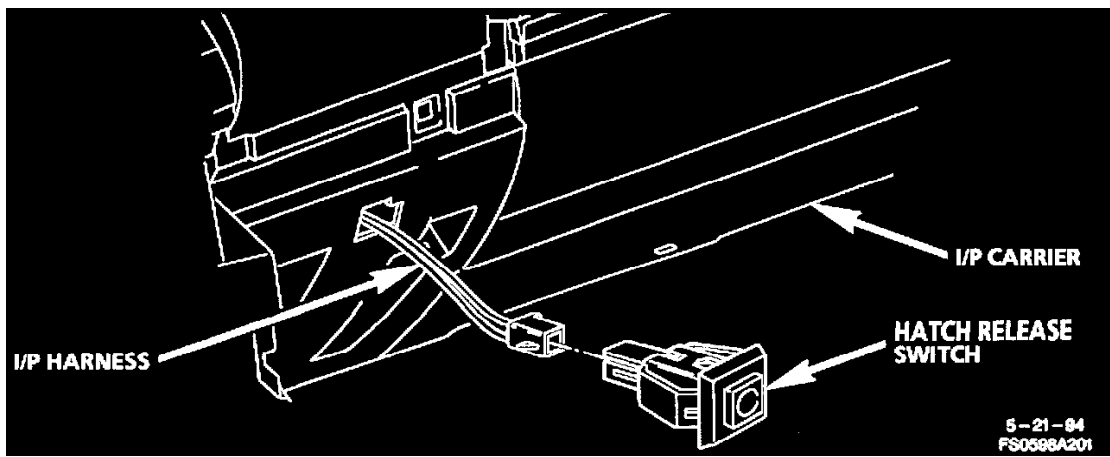
6-21-94  
F90868A201

LH Side Of I/P

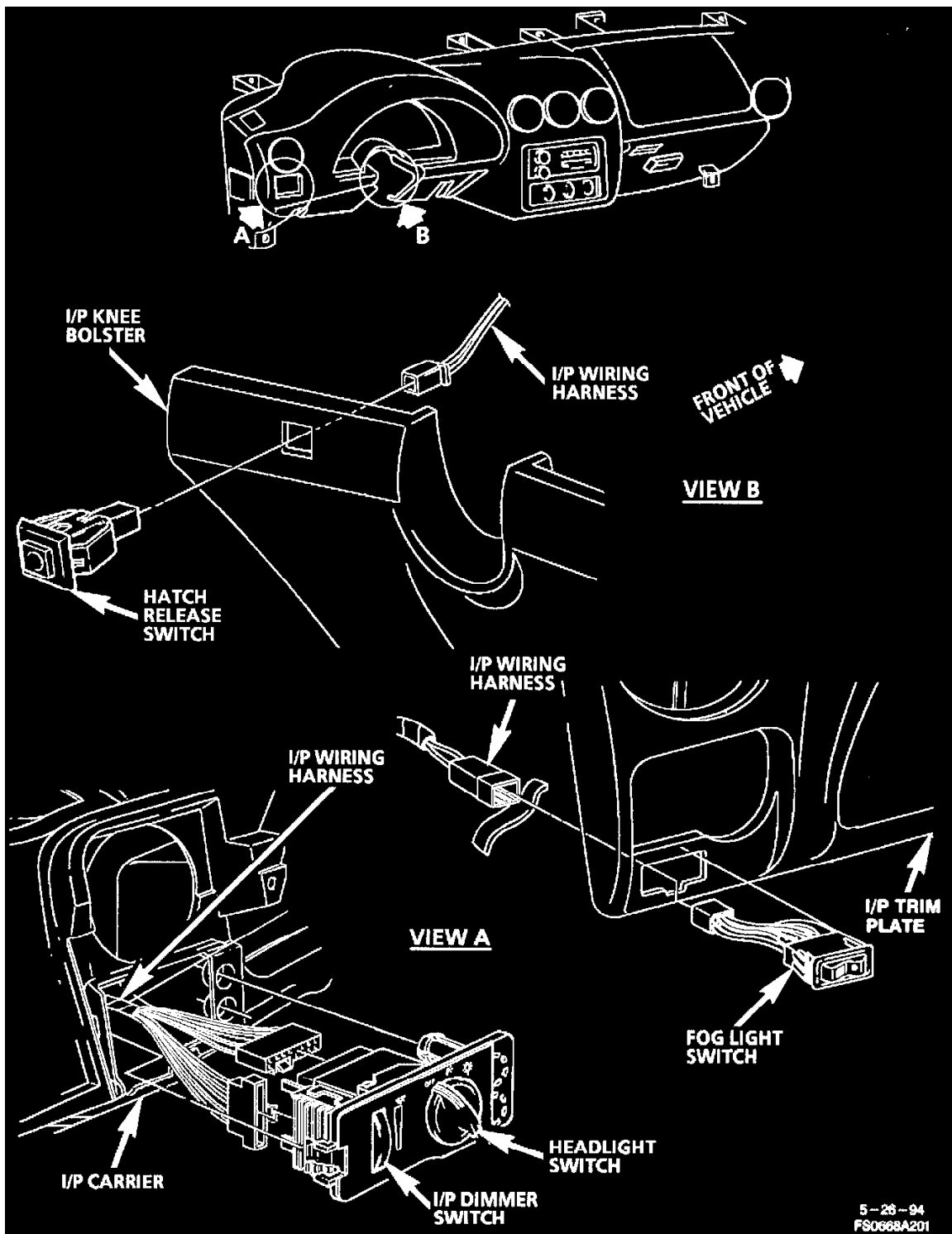




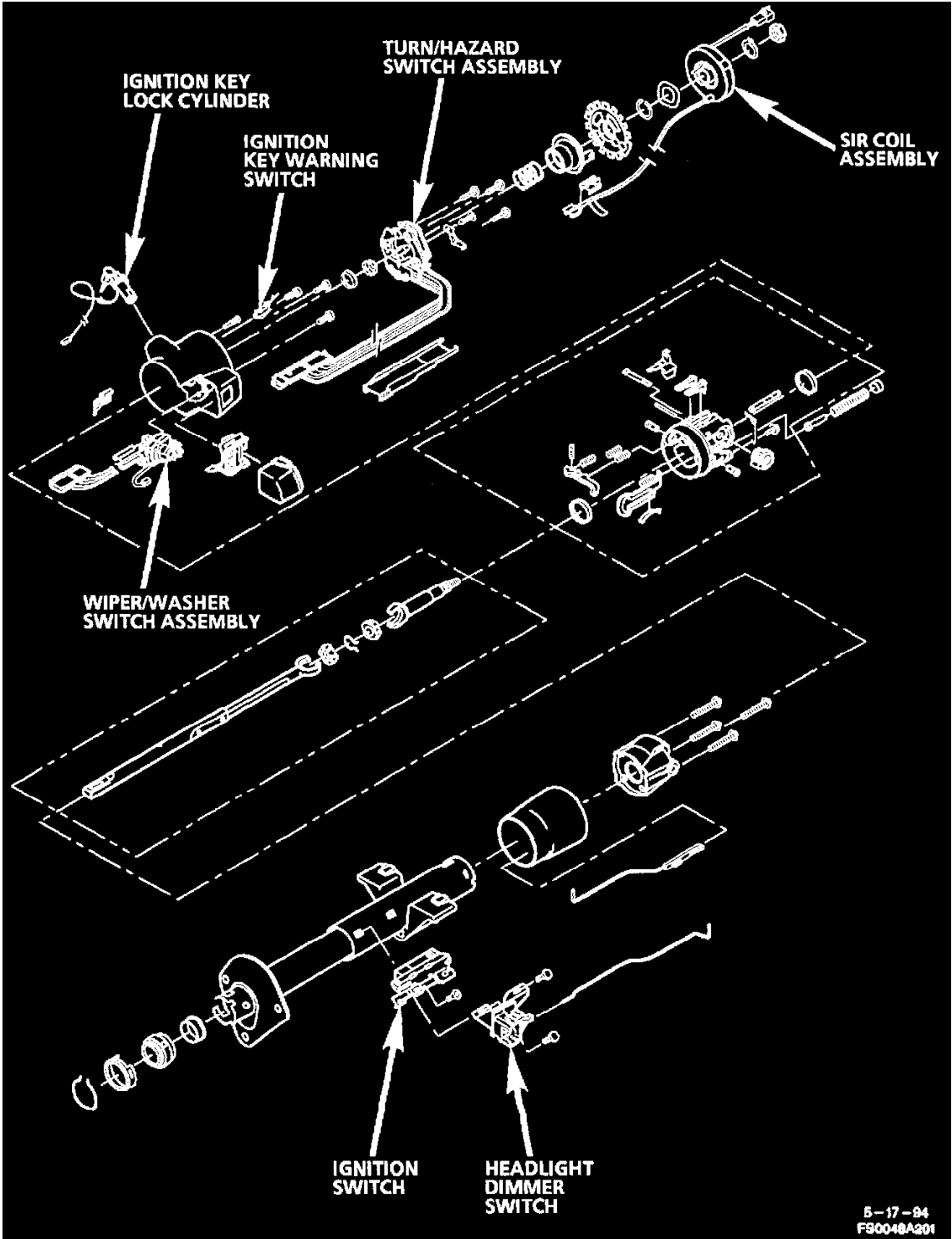
LH Side Of I/P



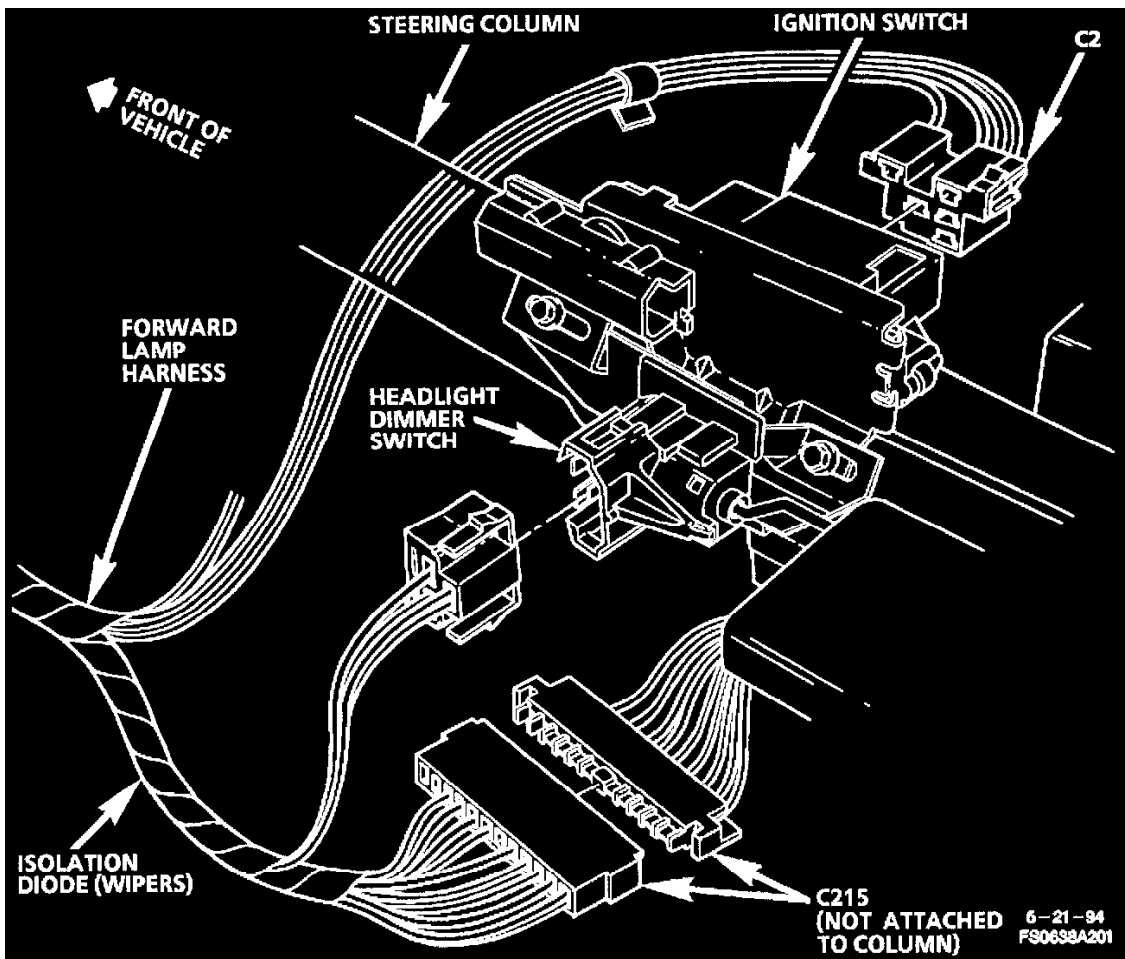
Behind I/P Compartment Door



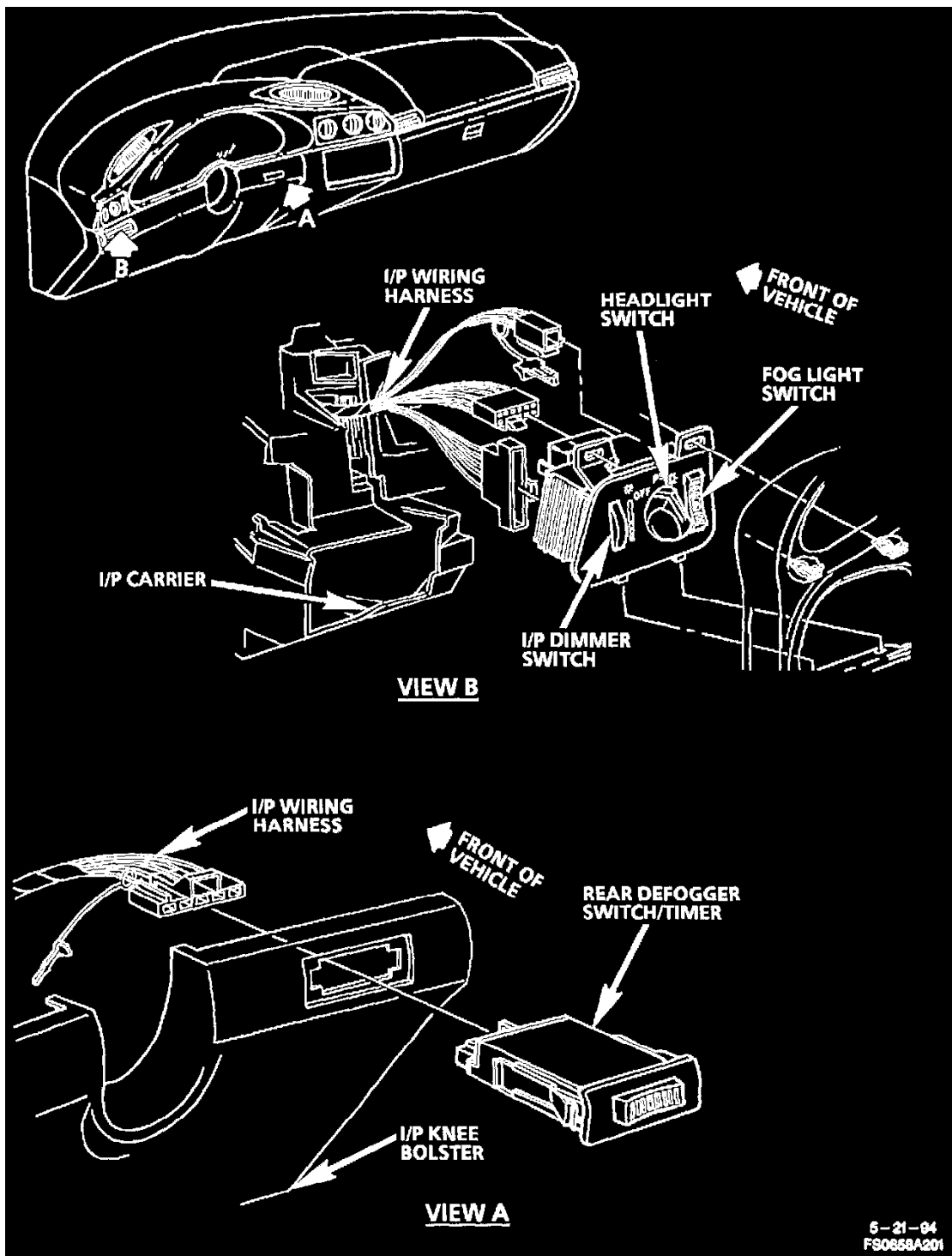
LH Side Of I/P



Steering Column Internals

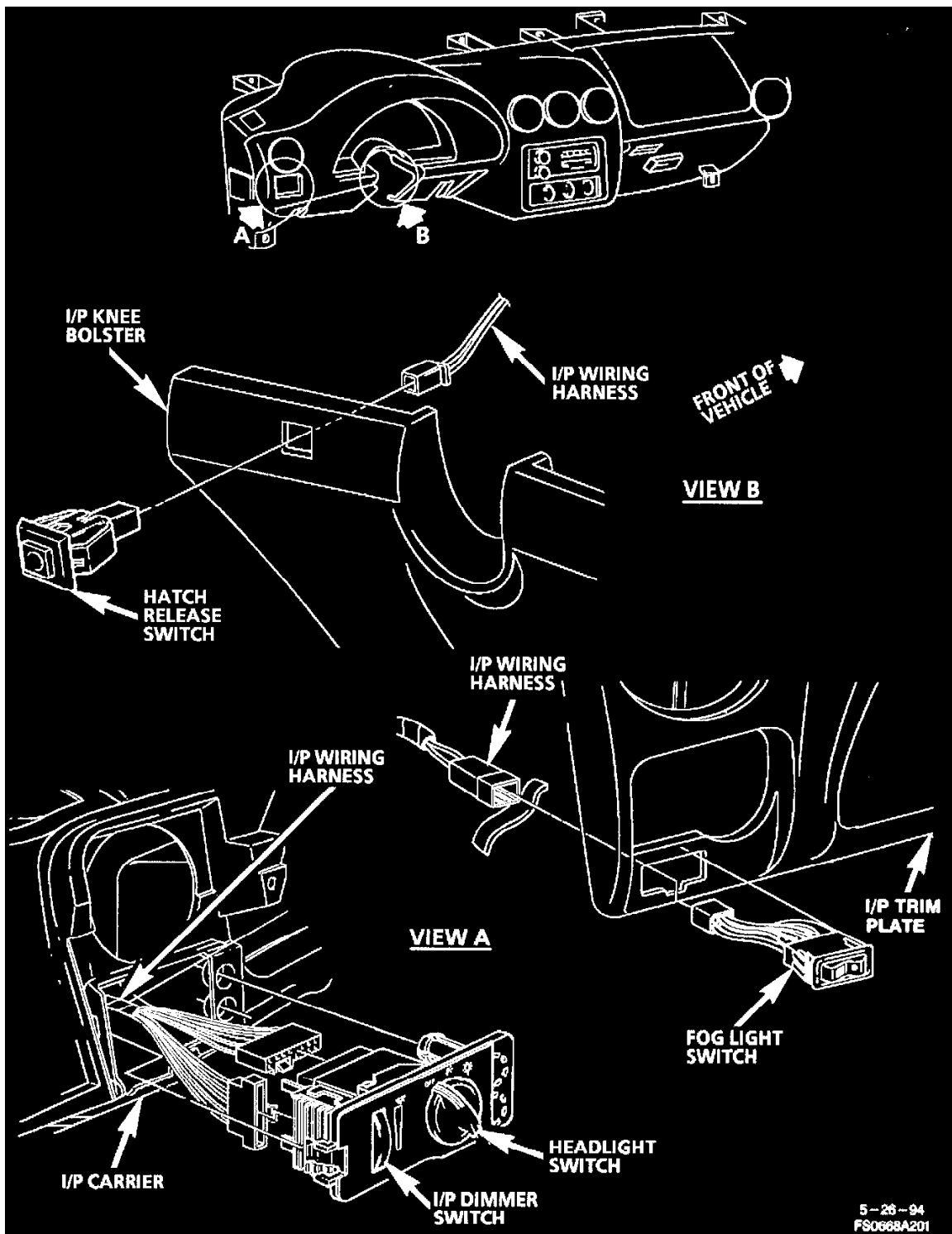


Bottom Of Steering Column

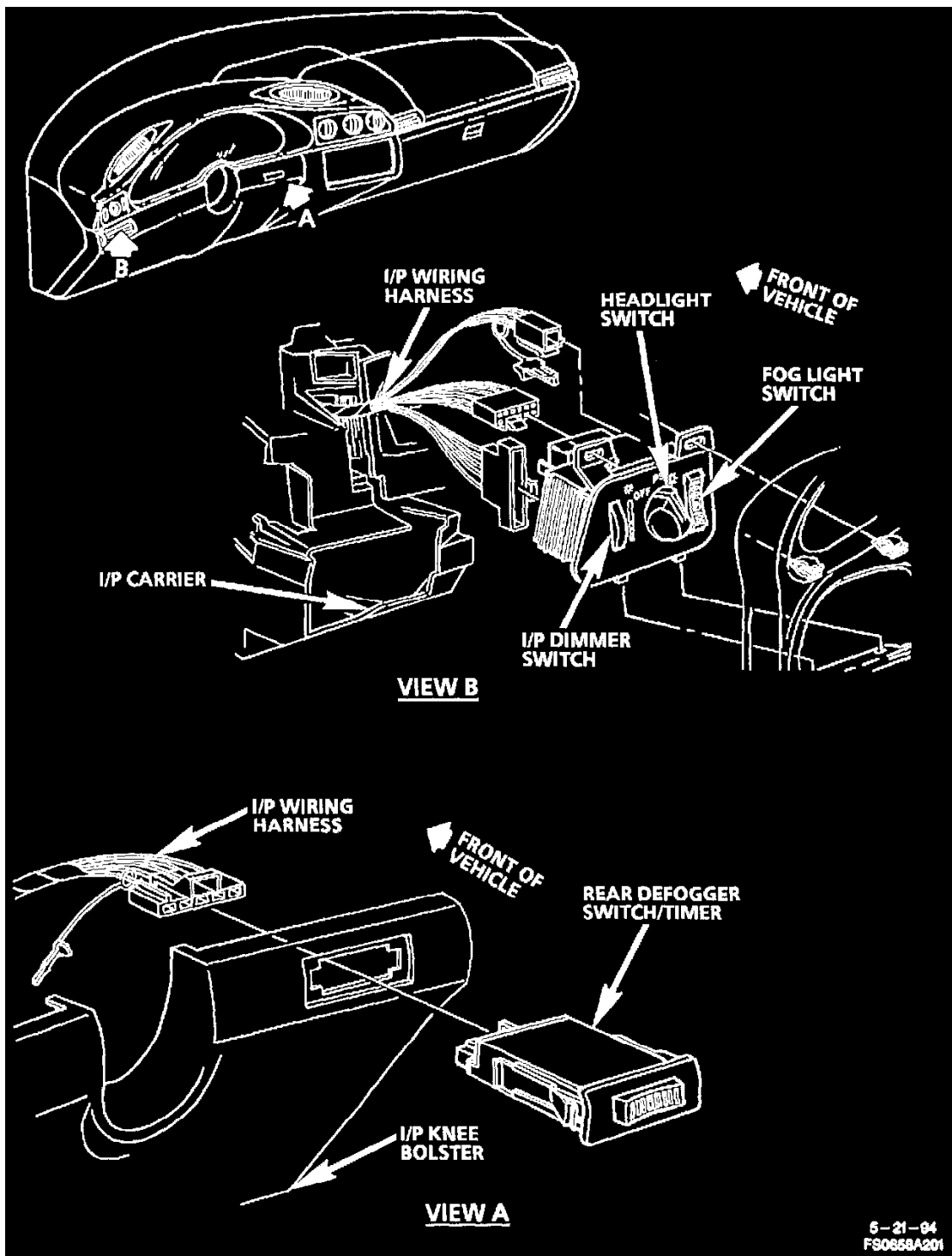


6-21-94  
F90868A201

LH Side Of I/P



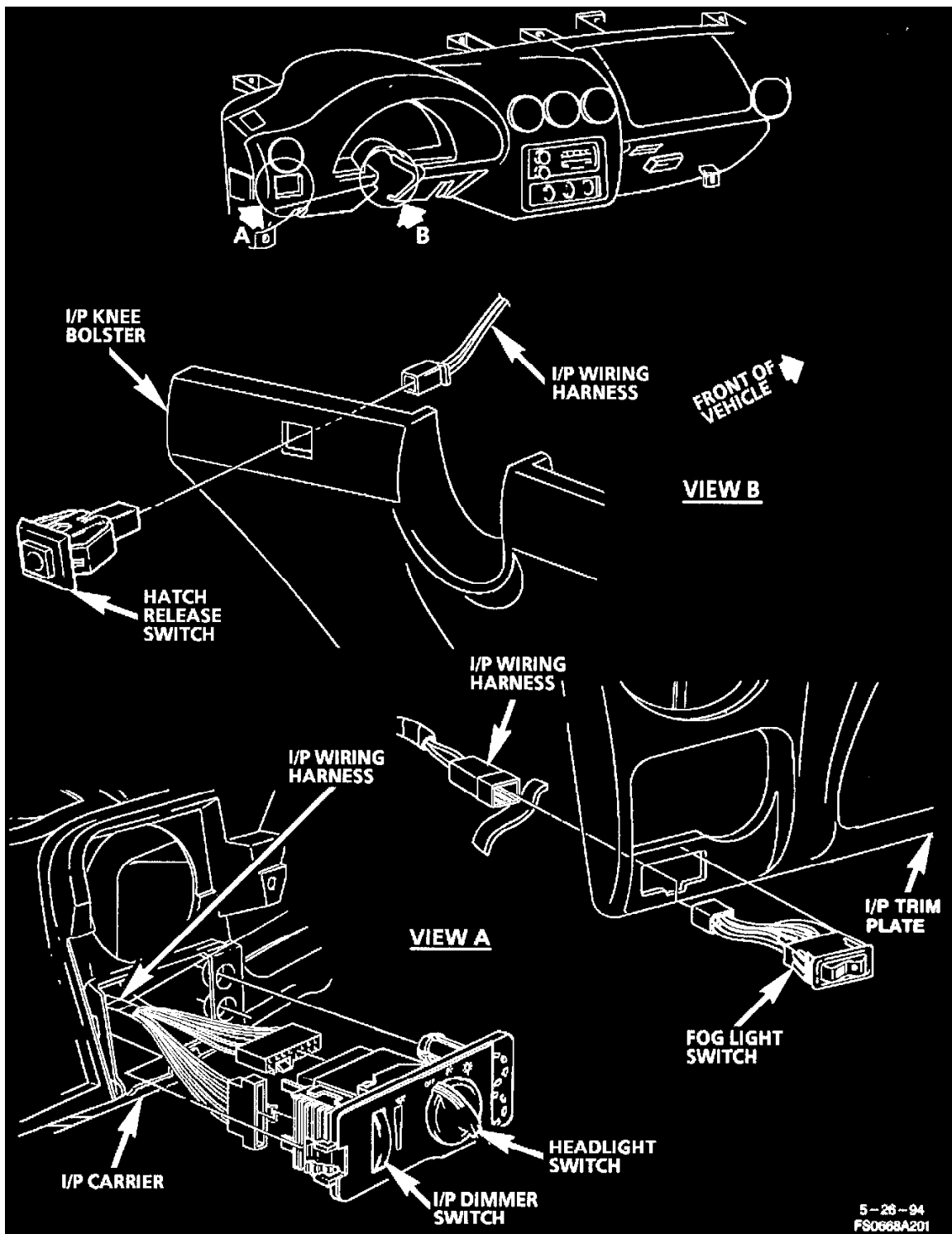
LH Side Of I/P



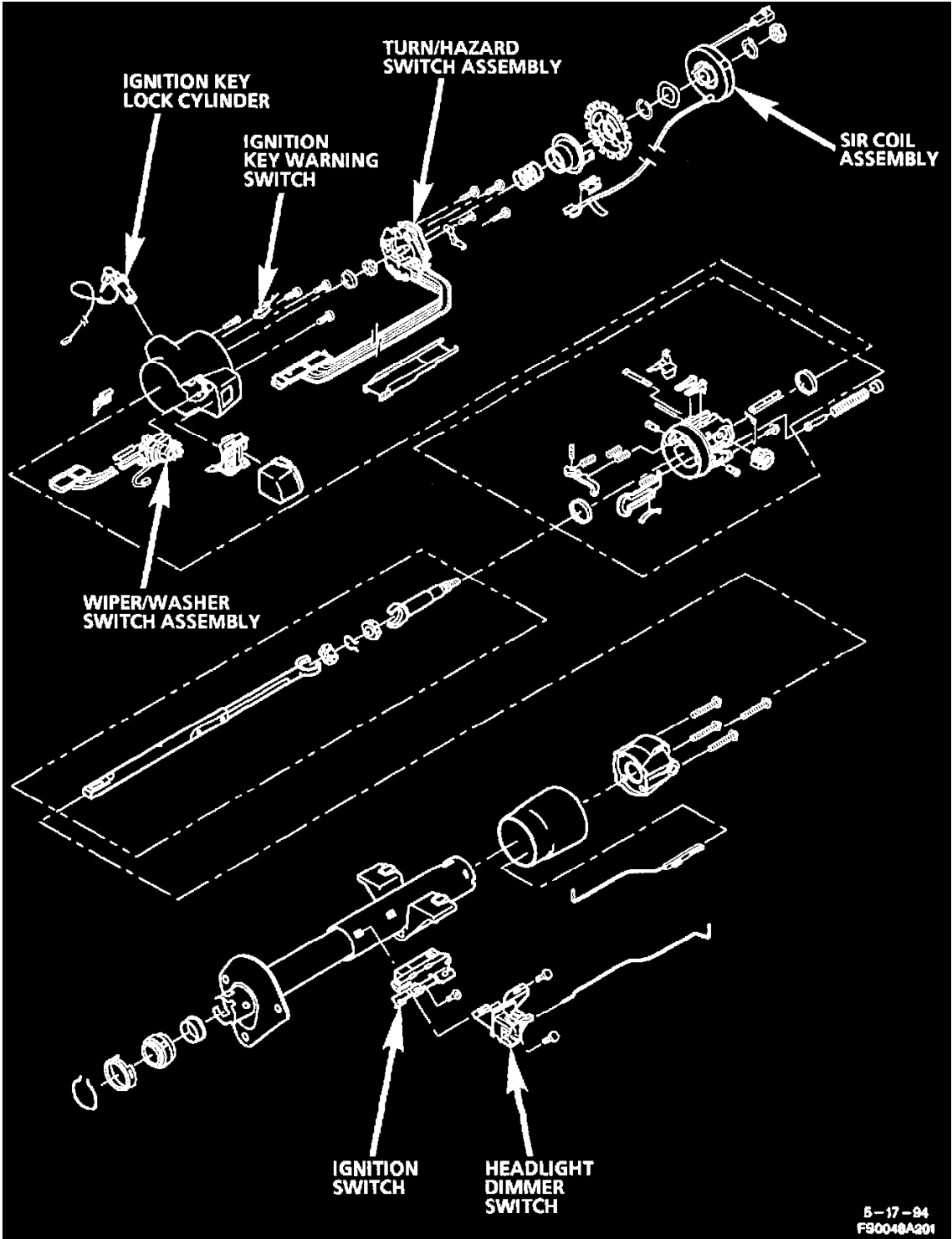
6-21-94  
F90868A201

LH Side Of I/P

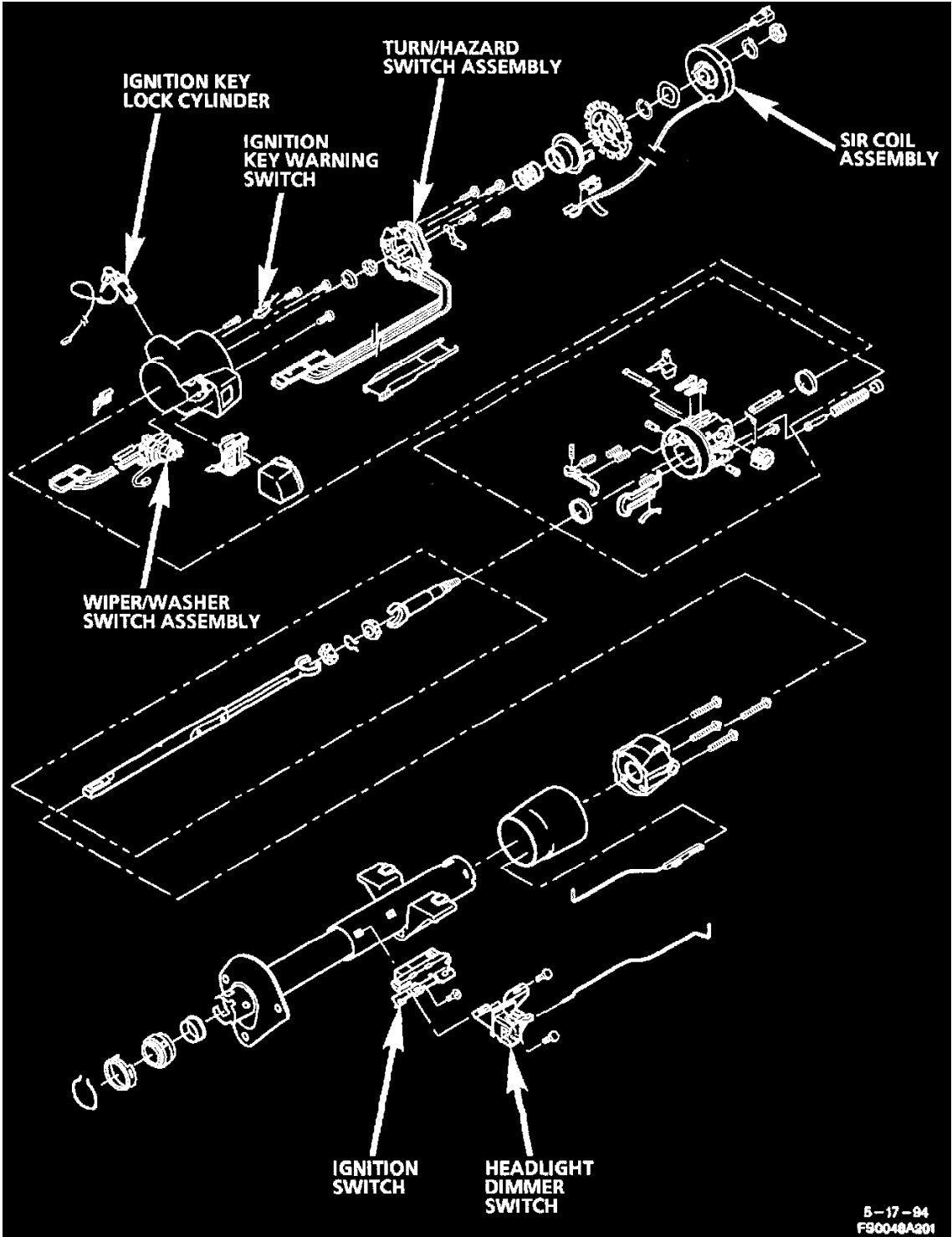




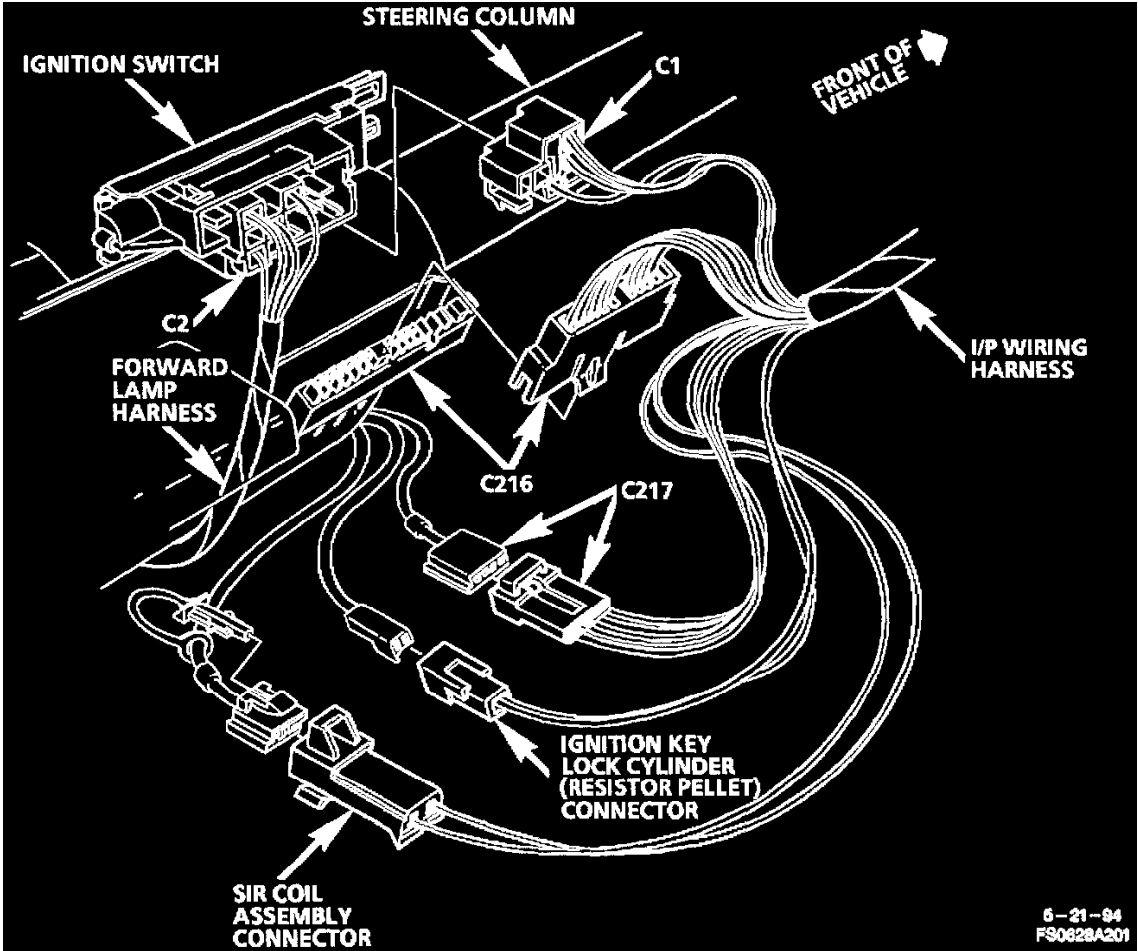
LH Side Of I/P



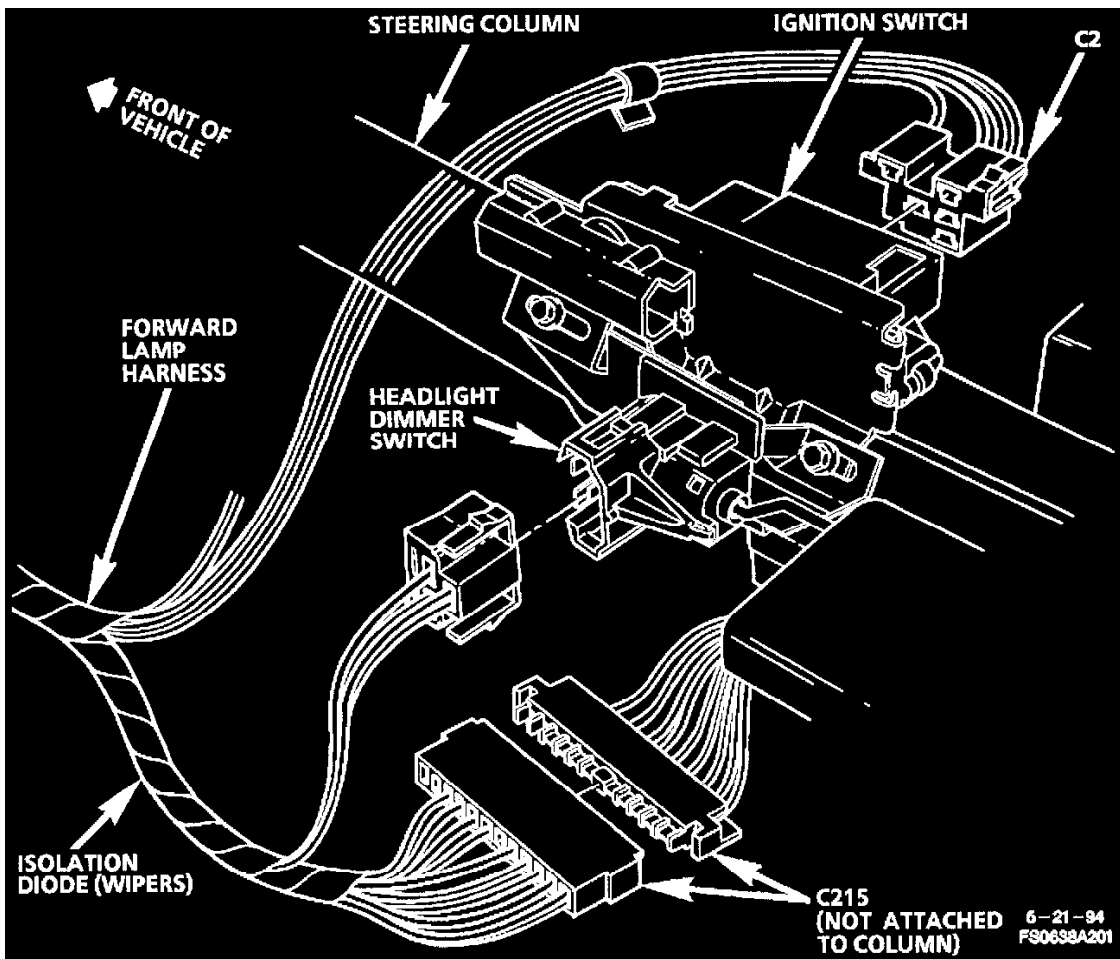
Steering Column Internals



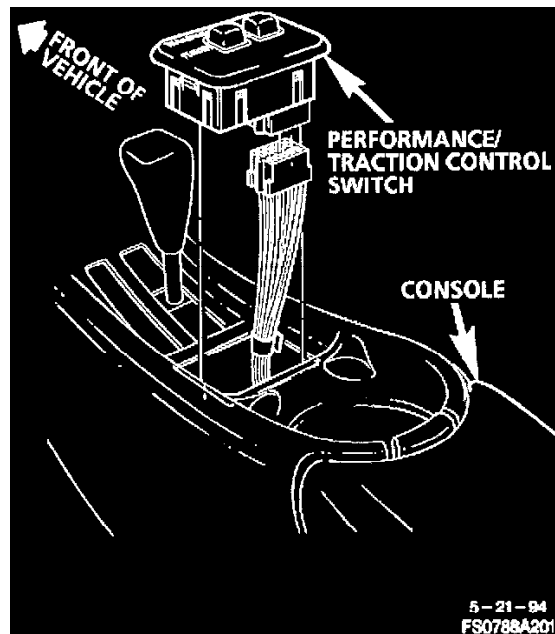
Steering Column Internals



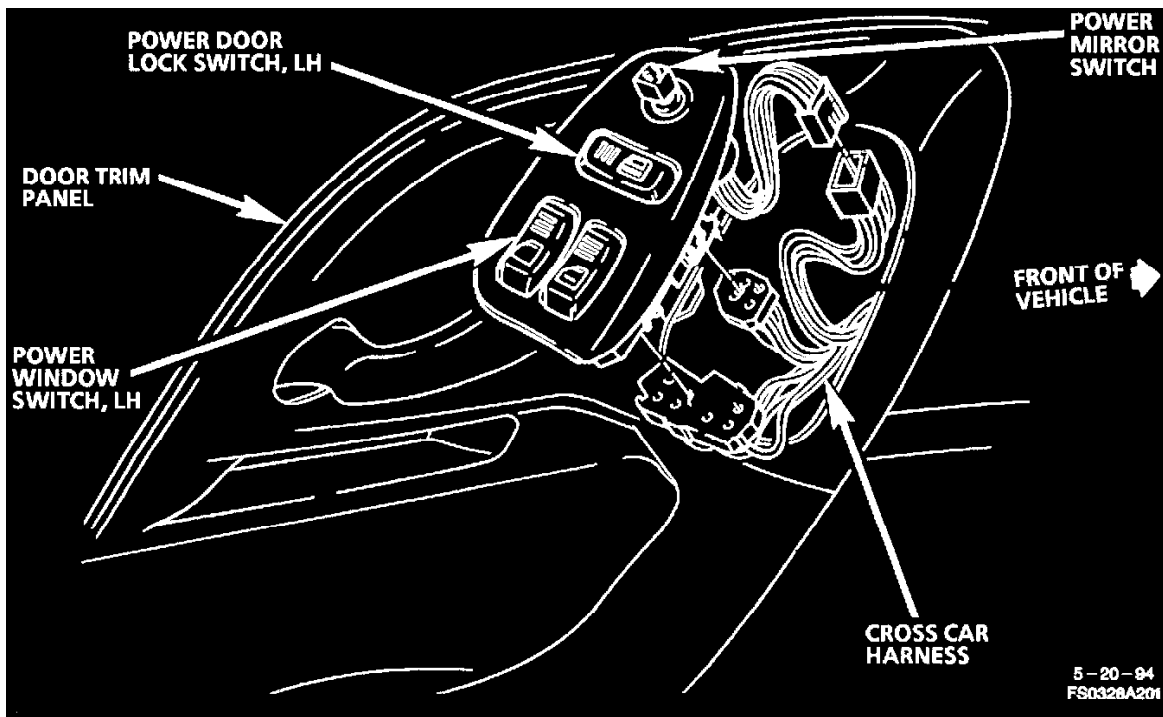
Bottom Of Steering Column



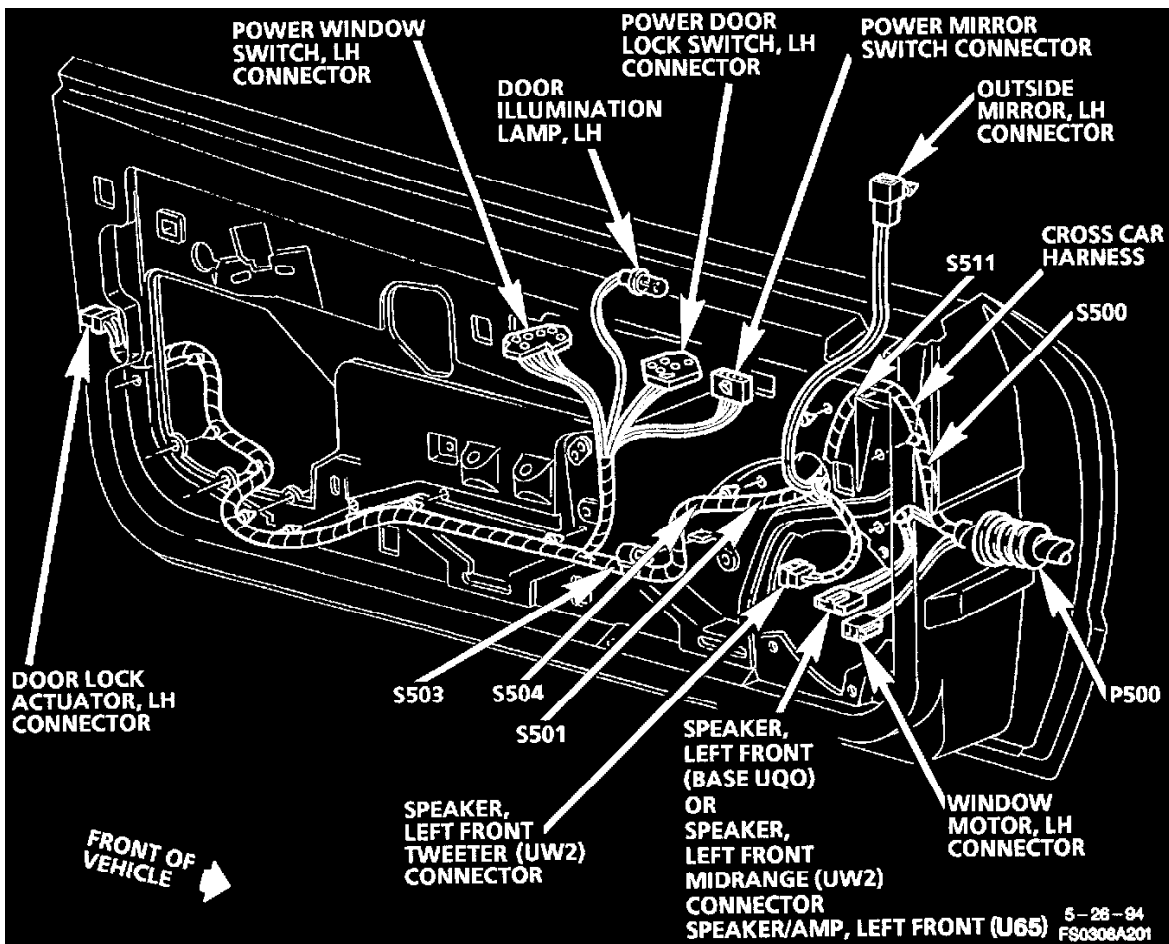
Bottom Of Steering Column



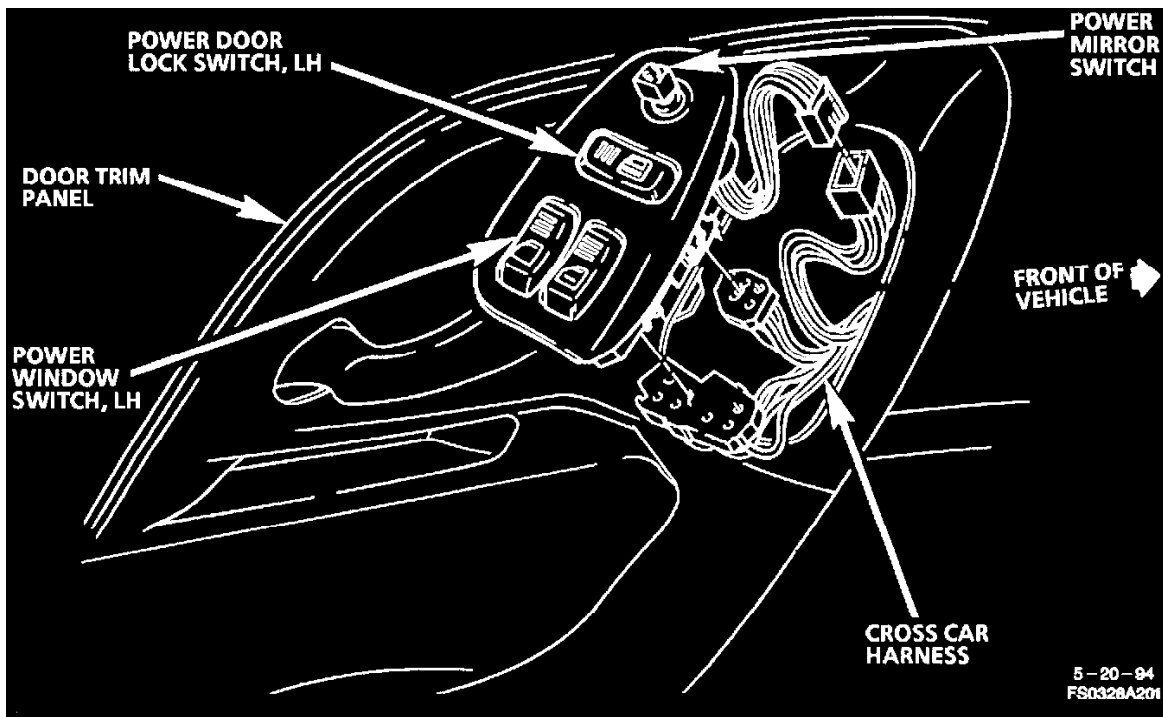
Left Side Of Upper Console



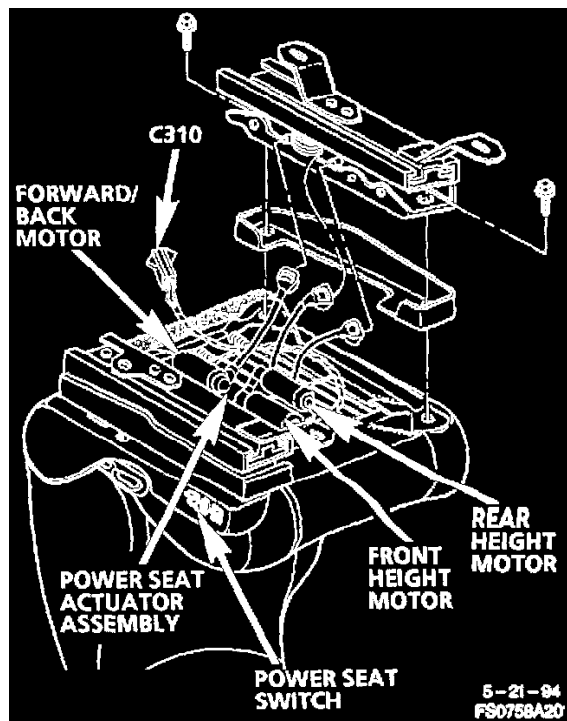
LH Door Armrest



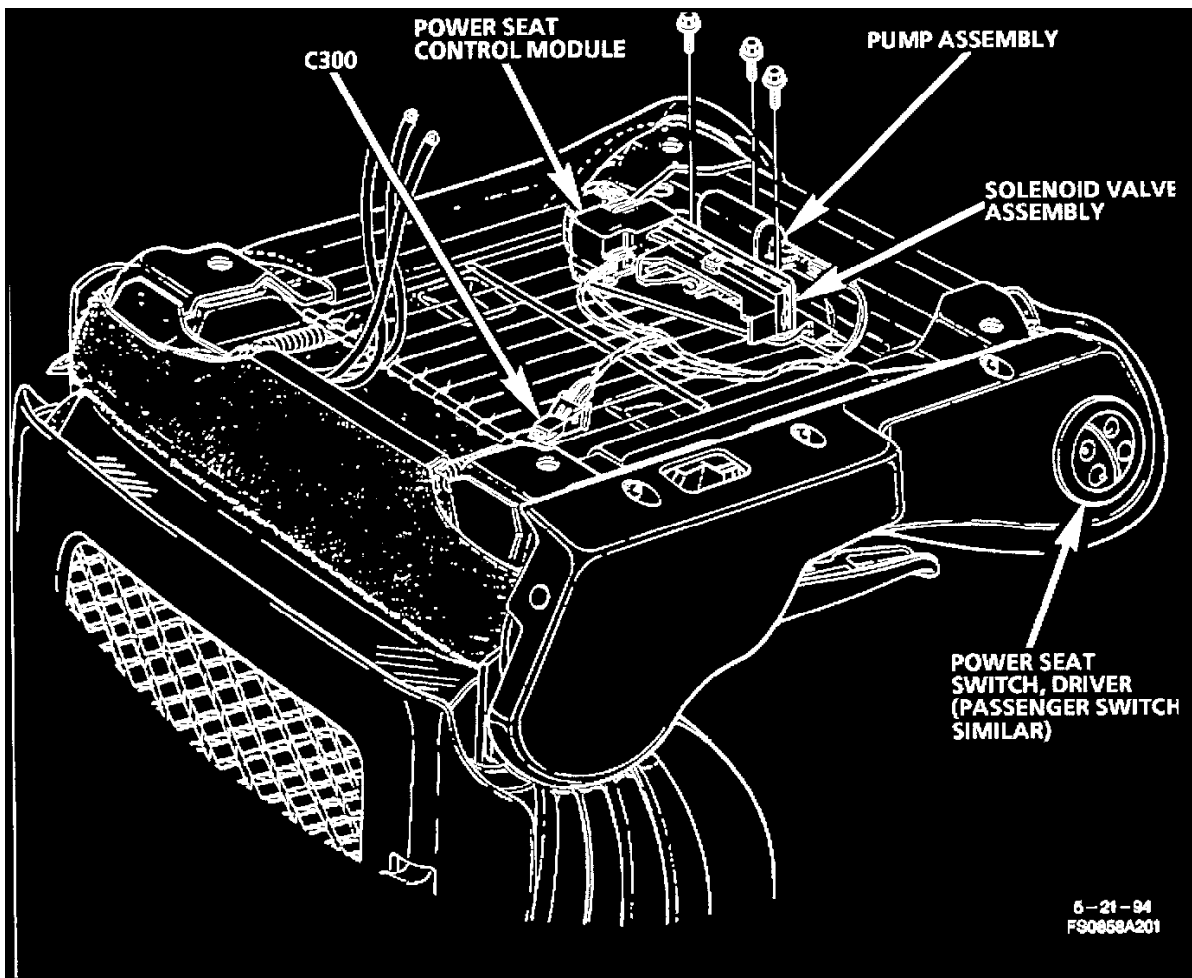
Behind LH Door Trim (RH Door Similar)



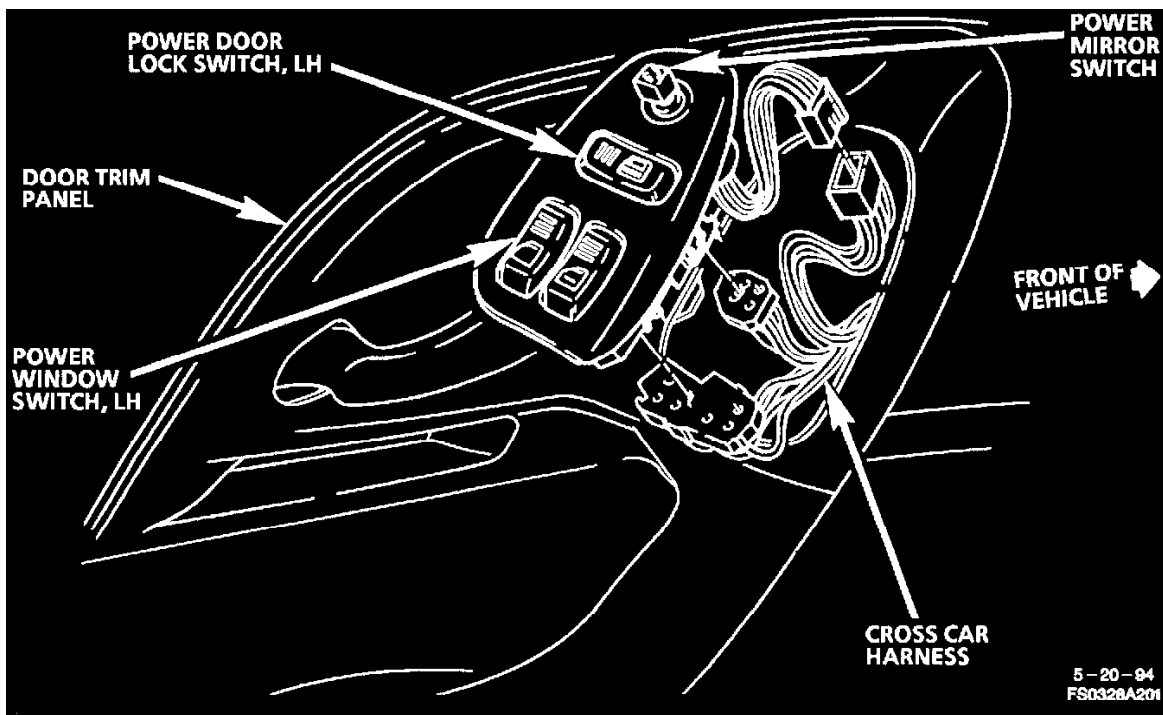
LH Door Armrest



Bottom Of Driver Seat (AC3)

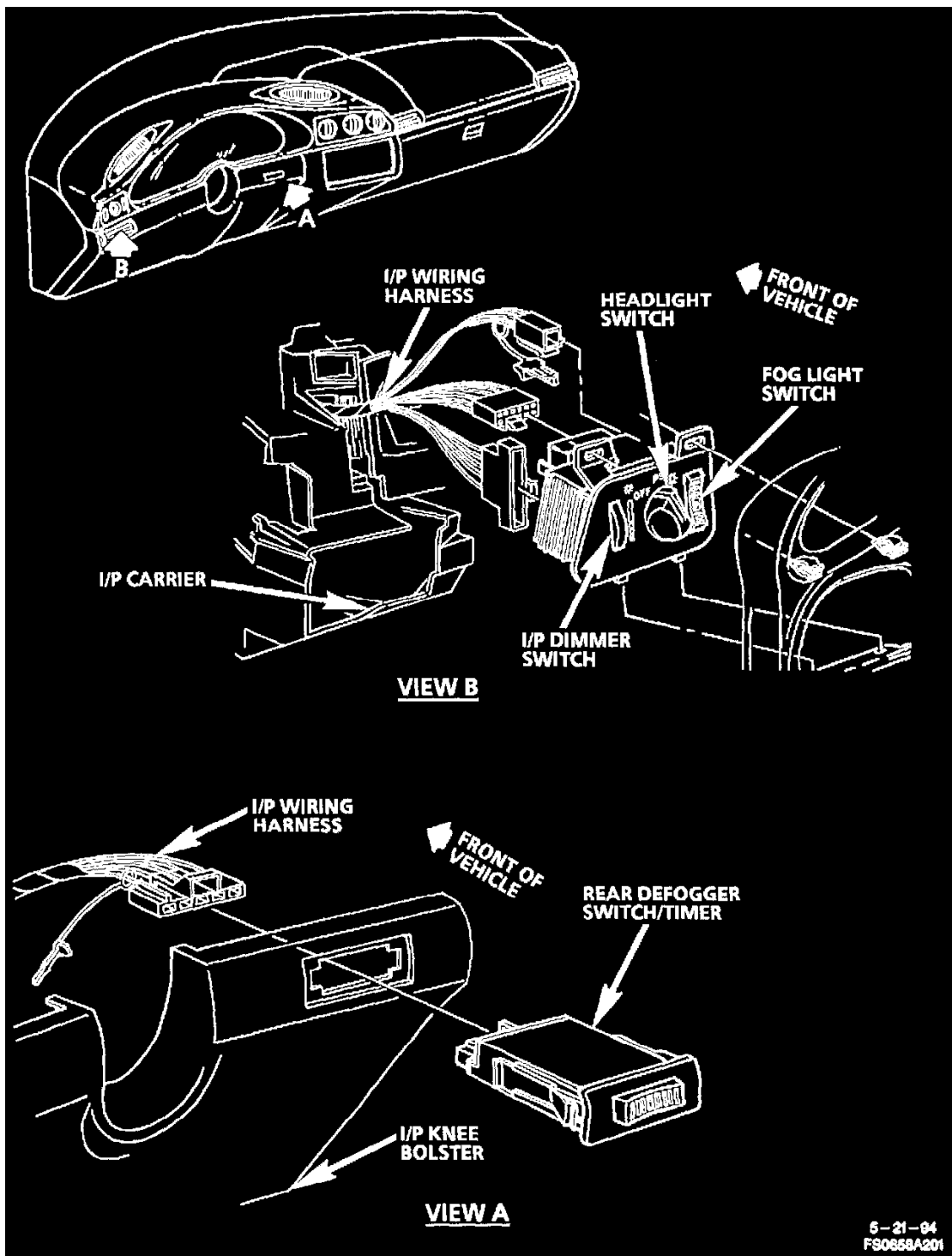


Under Driver's Seat (AQ9)



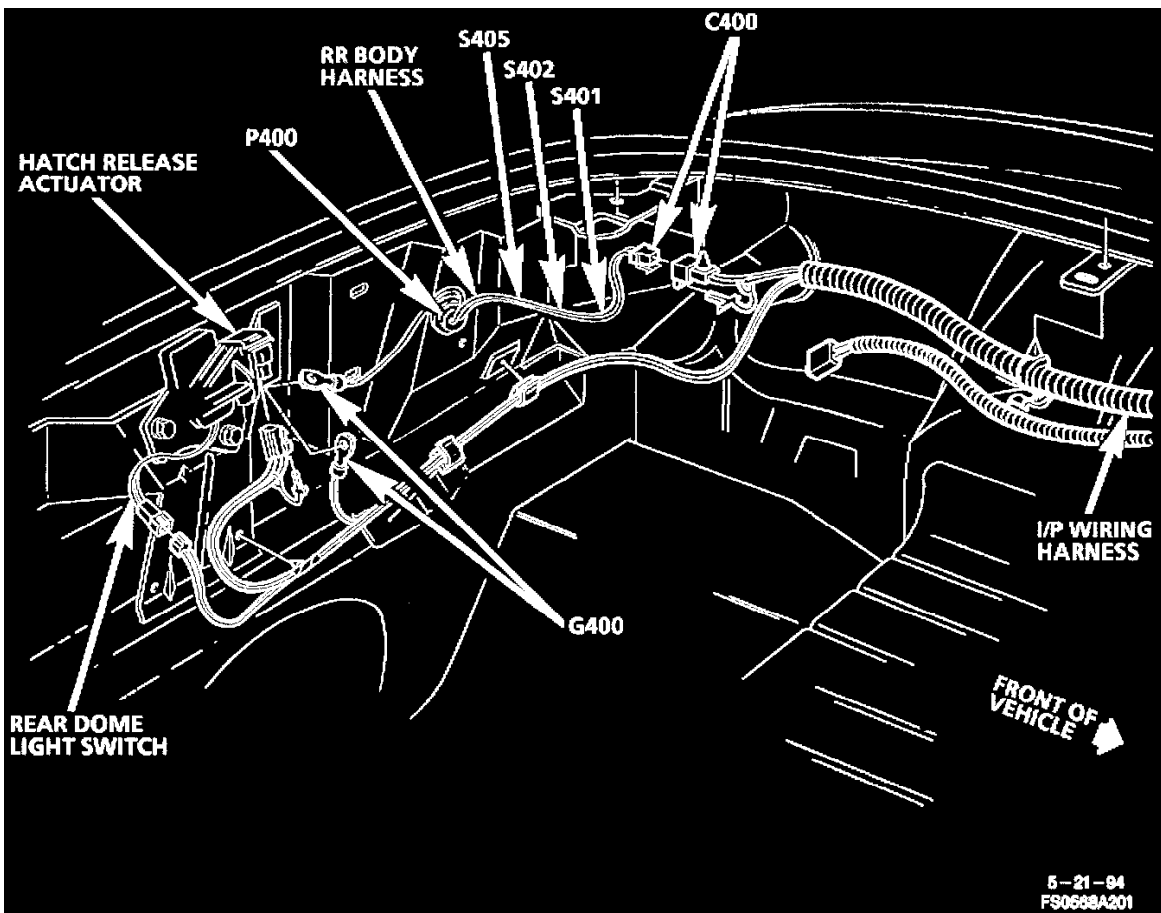
LH Door Armrest



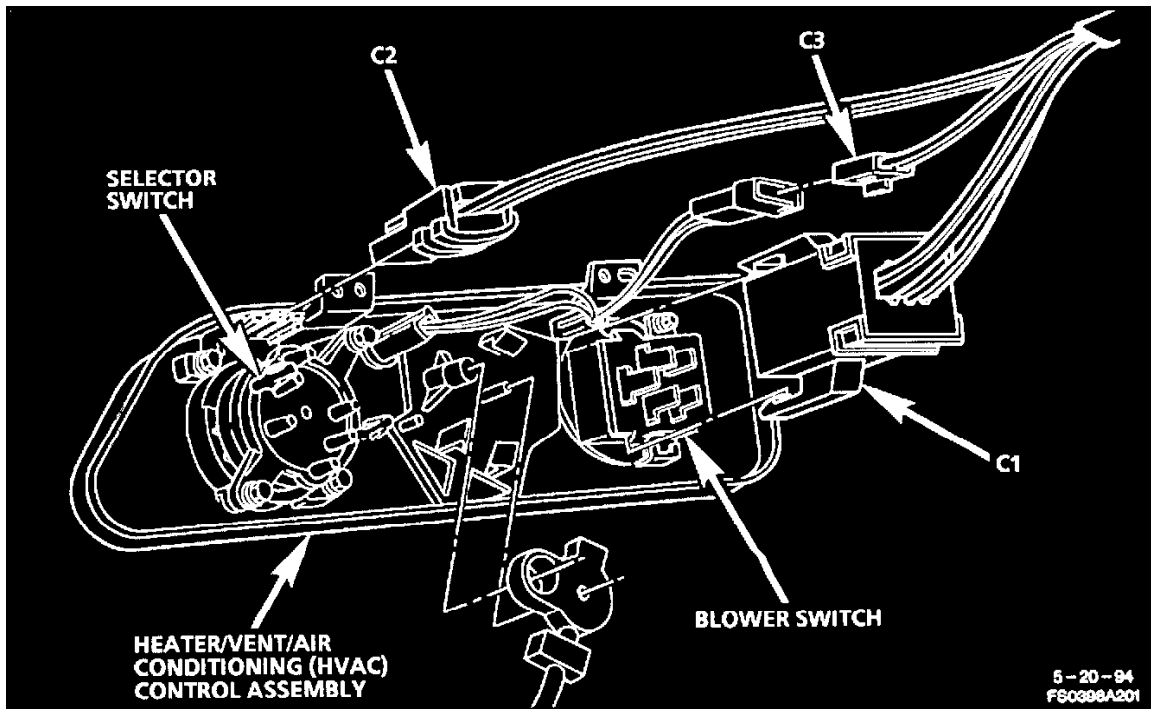


6-21-94  
F90868A201

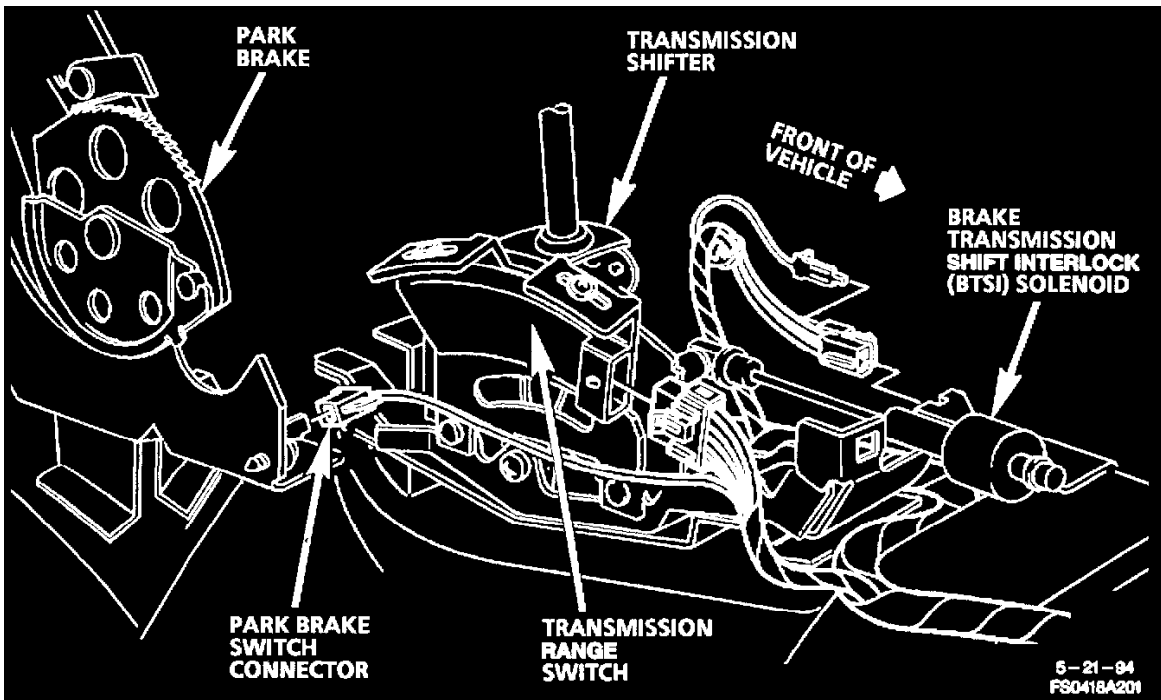
LH Side Of I/P



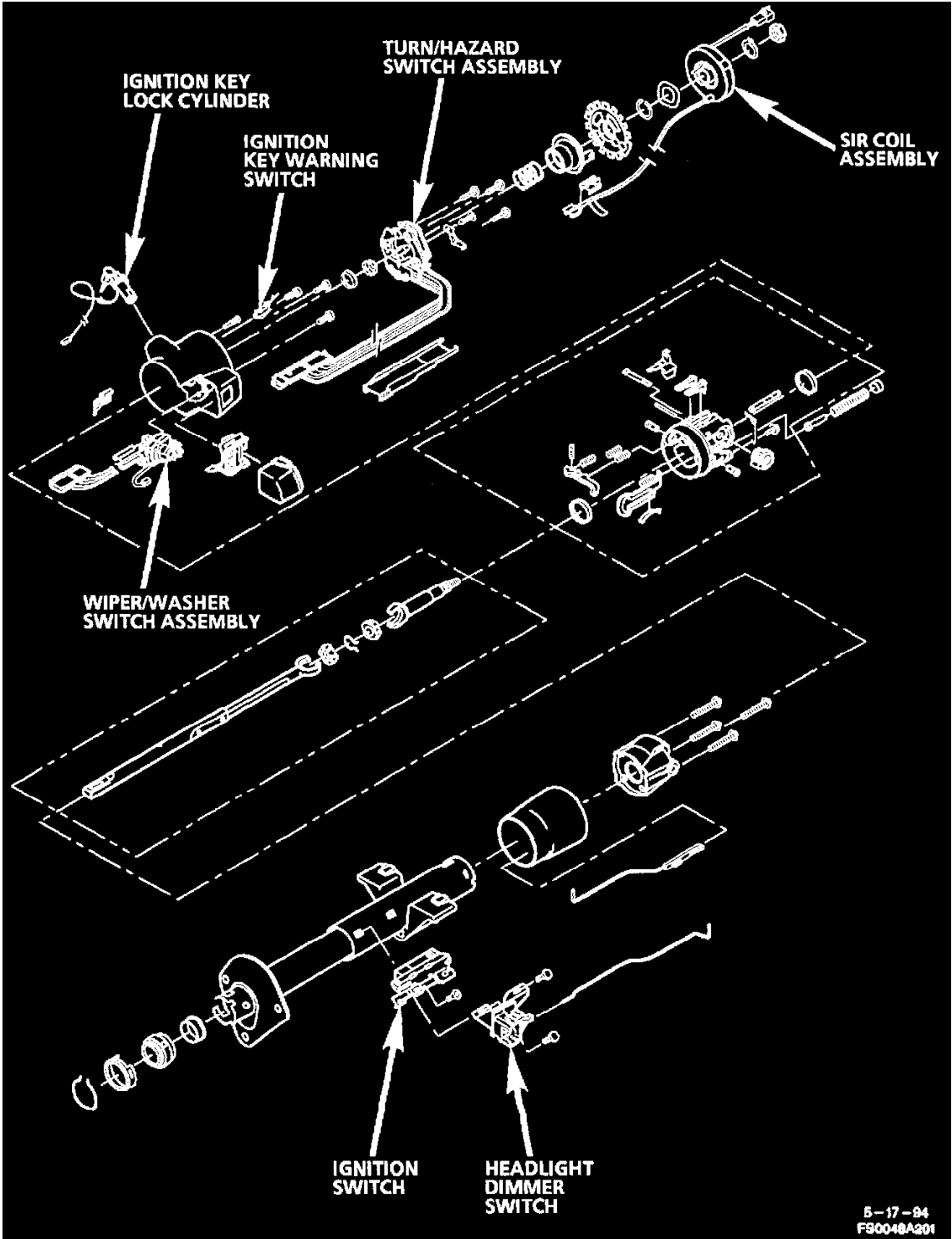
LH Rear Cargo Compartment



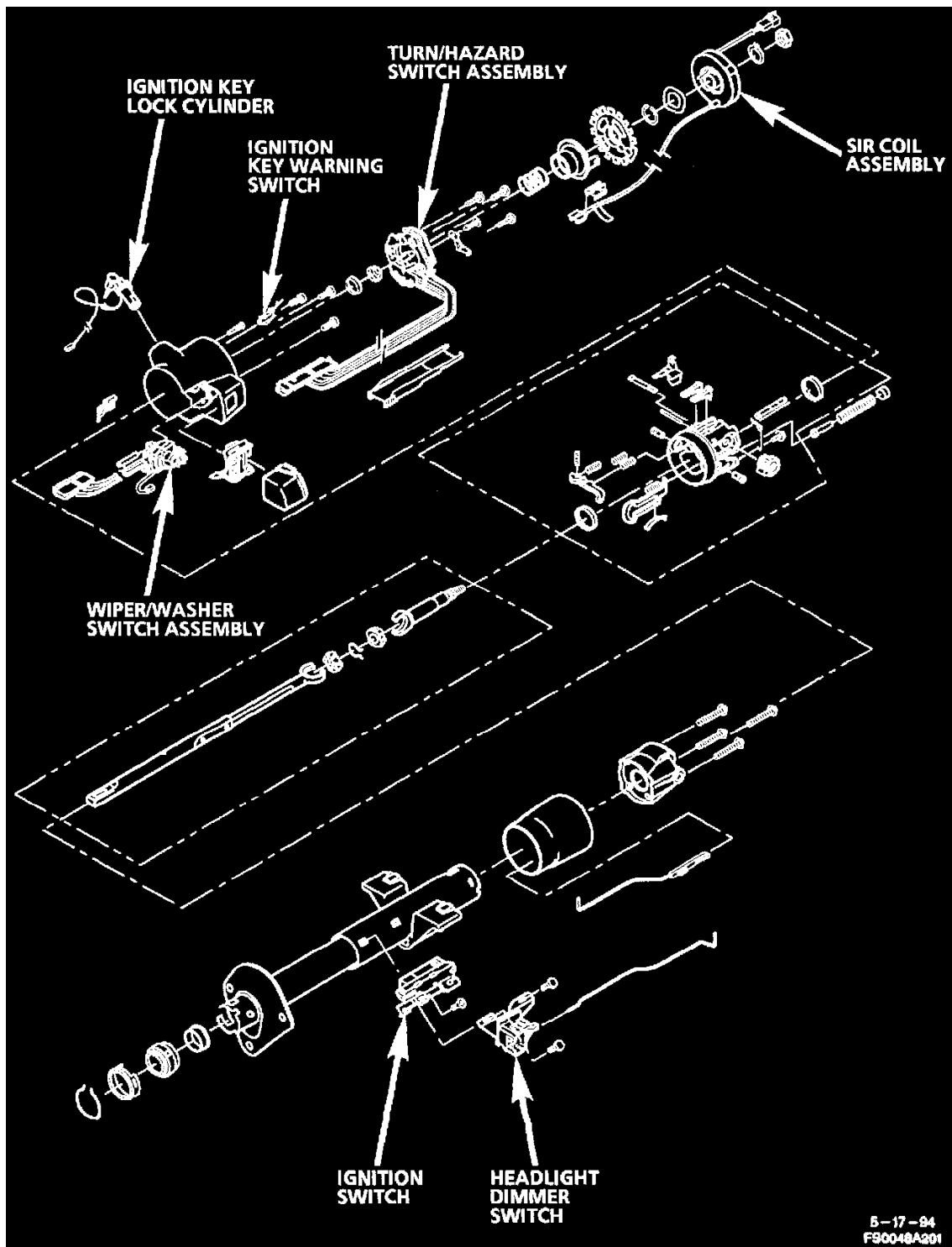
Center Of I/P



Rear Side Under Console-Automatic (M30)



Steering Column Internals



Steering Column Internals

## Text Description

COMPONENT	LOCATION
I/P Fuse Block	LH side of I/P Carrier, on the side
A/C Clutch Diode	Sealed in Harn, approx 12 cm from Generator breakout
A/C Compressor Clutch	RH side of Engine, below Generator
A/C Evaporator Temperature Sensor	Mounted in Evaporator Core
A/C Refrigerant Pressure Sensor	Above RH Shock Tower, forward of A/C Compressor Low Pressure Cut-off Switch
ABS Brake Pressure Valve Solenoid, LH	Part of Hydraulic Modulator Assembly
ABS Brake Pressure Valve Solenoid, RH	Part of Hydraulic Modulator Assembly
Ambient Light Sensor	Mounted in top of I/P, near Defrost Grill
Amplifier (part of UW2 Speaker Option)	Mounted behind Right Rear Armrest, on Rail
Arming Sensor, Dual Pole	Mounted to Floor Tunnel Bracket, under console

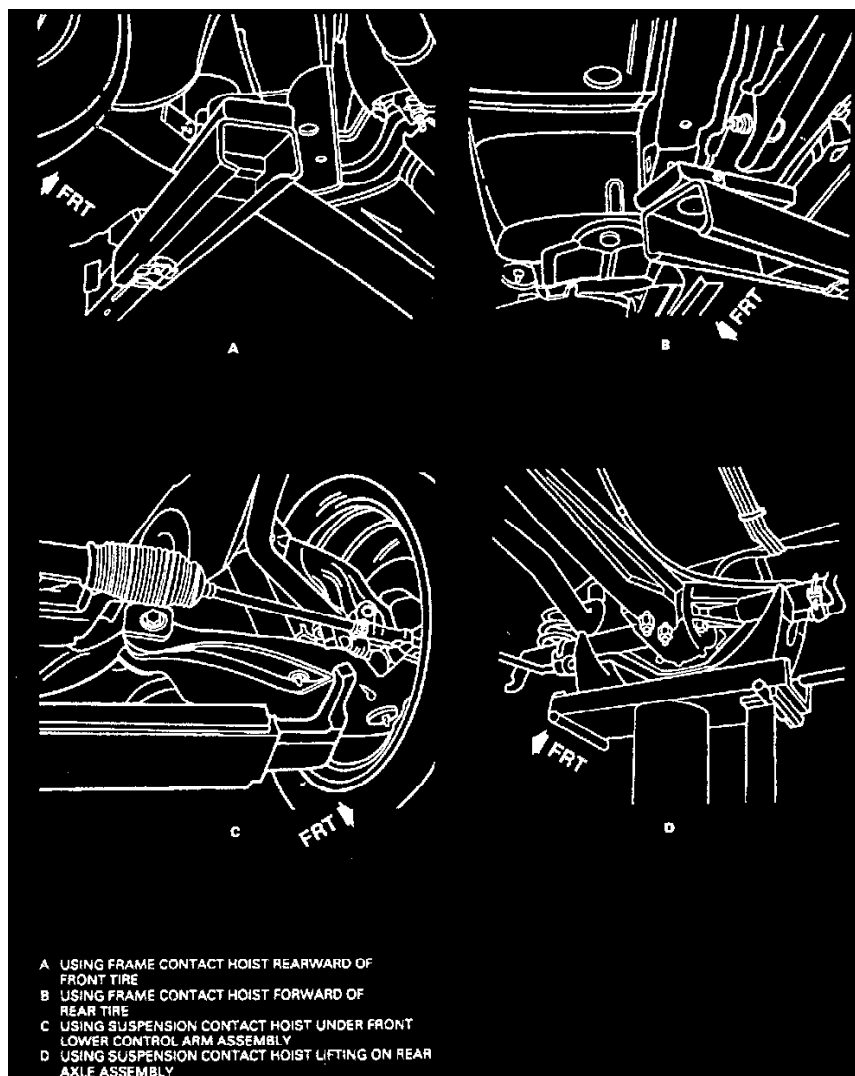
Ashtray Lamp (Auto Trans) .....	Lighting Tube from PRNDL lamp
Ashtray Lamp (Manual Trans) .....	Rearward of shifter, in ashtray
Automatic Transmission Conn .....	RH center of Transmission
Backup Lamp, LH .....	Mounted in Taillamp Assembly
Backup Lamp, RH .....	Mounted in Taillamp Assembly
Backup Light Switch (MM6) .....	Middle of Transmission, right side
Battery .....	RH front of Engine Compartment
Battery Junction Block .....	Top of RH Shock Tower
Blower Motor .....	Under lower RH side of I/P, mounted in HVAC Module
Blower Resistor .....	In HVAC Module, forward and left of Temperature Control
Blower Switch .....	Part of HVAC Control Assembly
Bose Relay .....	Below center A/C Duct, mounted to SIR Bracket
Brake Combo Valve (ABS) .....	Part of Hydraulic Modulator Assembly, inward side
Brake Switch Assembly .....	Mounted in lower hole of brake pedal bracket (2 Conn. with Automatic). (1 conn with Manual) same switch for both
Brake Transmission Shift Interlock (BTSI) Solenoid .....	In console, under PRNDL Display
Cable Attachment	
Camshaft Position Sensor .....	In front top of Engine Block, between Intake and Water Pump
Center High Mounted Stop Light (CHMSL) .....	Rear center of Spoiler
Cigar Lighter .....	Mounted on front of console
Cigar Lighter .....	Mounted on front of console Clutch Anticipate/Cruise
Clutch Anticipate/Cruise Release Switch (all V6 Manual) .....	Mounted in clutch pedal bracket (4 cavity Conn.)
Clutch Start Switch .....	Mounted to clutch pedal bracket, behind Convenience Center
Console Compartment Lamp .....	Under Console Compartment Door
Convenience Center .....	Left of Steering Column, mounted to bottom of I/P Carrier
Coolant Fans .....	Behind radiator
Coolant Level Latching Module .....	In molded pocket of dash mat, center above floor tunnel
Courtesy Lamp, Left Rear .....	Mounted in left sail panel
Courtesy Lamp, Right Rear .....	Mounted in right sail panel
Crankshaft Position Sensor, HI Resolution .....	Lower front of Engine Block, pigtail comes out LH side of crank
Crankshaft Position Sensor, LO Resolution .....	Lower RH side of Engine Block, has no pigtail
Cruise Control Module .....	Front LH side of vehicle, mounted to frame rail, forward of wheelhouse
Cruise Release/Brake Switch (all with K34) .....	Mounted in upper hole of brake pedal bracket (2 cavity Conn.)
Cruise Release/Clutch Switch (V8 Manual with K34) .....	Mounted in clutch pedal bracket (2 cavity Conn.)
Data Link Conn (DLC) .....	Mounted to I/P Tie Bar, below and right of Steering Column
Daytime Running Lights (DRL) Module .....	Mounted behind Radio and HVAC Controls, left of I/P Module Compartment
Diagnostic Energy Reserve Module (DERM) .....	Snapped in bracket, behind RH side of I/P Compartment
Discriminating Sensor, Forward .....	Mounted to center of front end Tie Bar, near hood latch
Discriminating Sensor, Passenger Compartment .....	Mounted to upper dash, just right of Steering Column Support Bracket
Dome Lamp .....	On roof, near hatch
Door Illumination lamp, LH .....	Behind door trim panel
Door Illumination lamp, RH .....	Behind door trim panel
Door Jamb Switch, .....	LH Near base of LH "A" pillar
Door Jamb Switch, RH .....	Near base of RH "A" pillar
Door Lock Actuator, LH .....	Inside rear of left door
Door Lock Actuator, RH .....	Inside rear of right door
Electronic Brake Control Module (EBCM) .....	Under I/P, next to LH hinge pillar, just above Pass Thru Grommet
Electronic Brake/Traction Control Module (EBTCM) .....	Under I/P, next to LH hinge pillar, just above Pass Thru Grommet
Engine Coolant Heater .....	LH side of Engine Block, near Oil Level Sensor
Engine Coolant Heater Cord .....	Routed from rear of Engine Compartment, strapped to hood release cable, near Underhood Electrical Center
Engine Coolant Level Sensor .....	Mounted on upper right side of radiator
Engine Coolant Temperature (ECT) Sensor .....	Mounted in front top of Engine, under plenum
Engine Coolant Temperature (ECT) Sensor .....	Front of Engine, mounted in water pump
Engine Coolant Temperature Gauge Sensor .....	Mounted in LH Head, between 1 and 3 Cylinders
Evaporative Emission (EVAP) Canister Purge Solenoid Valve .....	Left side of Engine, mounted to Intake Plenum
Evaporative Emission (EVAP) Canister Purge Solenoid Valve .....	Right center of Engine, mounted to Manifold
Exhaust Gas Recirculation (EGR) Vacuum Control Signal Solenoid Valve .....	Right side of Engine, mounted to Manifold
Exhaust Gas Recirculation (EGR) Vacuum Control Signal Solenoid Valve .....	Left rear of Engine, mounted to Intake Plenum
Express Down Module .....	Mounted to center of dash mat, above floor tunnel
Fog Lamp, Left Front .....	Lower LH side of front Fascia
Fog Lamp, Right Front .....	Lower RH side of front Fascia
Fog Light Switch .....	Lower LH side of I/P
Forward Lamp to I/P Harn, between LH kick panel and Steering Column .....	C200B (18 cavities)
Fuel Injectors .....	Mounted on Intake Manifold, part of Fuel Rail
Fuel Injectors .....	Mounted on Intake Manifold, part of Fuel Rail
Fuel Pump Prime Conn .....	Top rear of RH Shock Tower, 1 way Conn out of Harn
Fuel Pump Relay .....	Forward of LH kick panel, mounted to foot rest bracket under carpet

Fuel Tank Unit .....	Under rear of vehicle
Fusible Links .....	Above RH Shock Tower
Generator .....	RH front of Engine
Hatch Release Actuator .....	Center of end panel, in Cargo Compartment
Hatch Release Relay .....	Mounted to right side of SIR Bracket, behind I/P
Hatch Release Switch .....	Left of Steering Column, in knee bolster pad
Headlamp Door Motor, LH .....	LH front of vehicle
Headlamp Door Motor, RH .....	RH front of vehicle
Headlight Dimmer Switch .....	Part of Steering Column, activated by Multi-Function Lever.
Headlight Doors Module .....	Forward of LH front wheelhouse, mounted to Air Intake
Headlight Switch .....	LH side of I/P
Heated Oxygen Sensor Bank #1 .....	Mounted in left Exhaust Manifold
Heated Oxygen Sensor Bank #2 .....	Mounted in right Exhaust Manifold
Heater/Vent/Air Conditioning (HVAC) Control Assembly .....	Center of I/P
High Beam Headlamp, Left (CHEVY) .....	Exterior, left front
High Beam Headlamp, Right (CHEVY) .....	Exterior, right front
High Blower Relay .....	Under I/P, above left side of floor tunnel
Horn #1 (A note).....	RH side, front of vehicle directly below Headlamps
Horn #2 (F note).....	RH side, front of vehicle directly below Headlamps
Horn Switch.....	In Steering Wheel
Hydraulic Modulator Assembly .....	Front left of Engine Compartment
I/P Compartment Lamp .....	Inside top center of compartment
I/P Dimmer Switch .....	Lower LH side of I/P
I/P Fuse Block .....	LH side of I/P Carrier, on the side
Idle Air Control (IAC) Valve .....	Right front on Throttle Body
Ignition Coil .....	Front LH side of Engine
Ignition Coil Module .....	Front LH side of Engine
Ignition Control Module (ICM) .....	Left front of Engine
Ignition Key Lock Cylinder.....	Top RH side of Steering Column
Ignition Key Warning Switch .....	Part of Steering Column
Ignition Switch .....	Part of Steering column
Inflator Module, Driver .....	Mounted on Steering Wheel
Inflator Module, Passenger .....	Mounted on right side of I/P
Instrument Cluster .....	LH side of I/P
Intake Air Temperature (IAT) Sensor .....	Mounted on Sir duct, in front of Intake Manifold
Isolation Diode (BTSI) .....	Sealed in Harn, approx 6 cm from DERM breakout
Isolation Diode (RAP) .....	Sealed in Harn, approx 9 cm right of Rearview Mirror breakout
Isolation Diode (Wipers) .....	Approx 10 cm from C2 15 breakout in Forward Lamp Harn
Keyless Entry Receiver .....	Behind RH side kick panel, in molded pocket
Knock Sensor .....	In bottom RH side of Engine Block
License Lamp .....	Center of rear Fascia, above license plate
Low Beam Headlamp, Left (CHEVY) .....	Exterior, left front
Low Beam Headlamp, Right (CHEVY) .....	Exterior, right front
Manifold Absolute Pressure (MAP) Sensor .....	Mounted to RH side of Intake Manifold
Marker Lamp, Left Front .....	Exterior, left front
Marker Lamp, Left Rear .....	Exterior, left rear
Marker Lamp, Left Rear .....	Exterior, rear
Marker Lamp, Right Front .....	Exterior, right front
Marker Lamp, Right Rear .....	Exterior, right rear
Mass Air Flow (MAF) Sensor .....	Mounted on air duct, in front of Intake Manifold
Multi-Function Lever .....	Left Arm on Steering Column
Oil Level Sensor .....	Lower left side of Engine, in oil pan
Oil Pressure Sensor .....	Mounted to top center of Engine block, rear of manifold
Oxygen Sensor, LH .....	Mounted in left Exhaust Manifold
Oxygen Sensor, RH .....	Mounted in right Exhaust Manifold
PRNDL Illumination Lamp (Auto Trans) .....	Under console, left of Shifter
Park Brake Switch .....	In console, at base of Park Brake Lever
Park/Turn Lamp, Left Front .....	Exterior, left front
Park/Turn Lamp, Right Front .....	Exterior, right front
Performance Switch .....	Mounted in center console behind shifter
Performance/Traction Control Switch .....	Mounted in center console behind shifter
Power Door Lock Switch, RH .....	Mounted in right door armest
Power Mirror Switch .....	Mounted in left door armest
Power Seat Control Module (AQ9) .....	Under Driver's Seat
Power Seat Switch (AG1) .....	On left side of Driver's Seat

Power Seat Switch (AG1) On left side of Driver's Seat

Power Seat Switch, Driver (AQ9) .....	On left side of Driver's Seat
Power Seat Switch, Passenger (AQ9) .....	On right tide of Passenger Seat
Power Window Switch, LH .....	Mounted in left door armest
Power Window Switch, RH .....	Mounted in right door armest
Powertrain Control Module (PCM) .....	In Engine Compartment, rearward of RH Shock Tower
Radio .....	Center of I/P Carrier
Rear Compartment Lamp .....	Center of rear compartment below Hatch Release Actuator
Rear Defogger Grid .....	Mounted on rear windshield
Rear Defogger Switch .....	Part of HVAC Assembly
Rear Defogger Switch/Timer .....	Mounted on I/P knee bolster, right of Steering Column
Rear Defogger Switch/Timer (CHEVY) .....	Mounted on I/P knee bolster, right of Steering Column
Rear Defogger Switch/timer .....	Mounted on I/P knee bolster, right of Steering Column
Rear Defogger Timer/Relay .....	Part of HVAC Assembly
Rear Dome Light Switch .....	Center of end panel, in Cargo Compartment
Rearview Mirror .....	Top center of windshield
Release Switch (all V6 Manual) .....	Mounted in clutch pedal bracket (4 cavity Conn.)
Retained Accessory Power (RAP) Module .....	In molded pocket of dash mat, center above floor tunnel
Reverse Lockout Solenoid (Manual) .....	Rear LH side of Transmission
Reverse Lockout Solenoid (V8 VIN P Manual) .....	Rear LH side of Transmission

## Vehicle Lift Points



Vehicle Lift Points