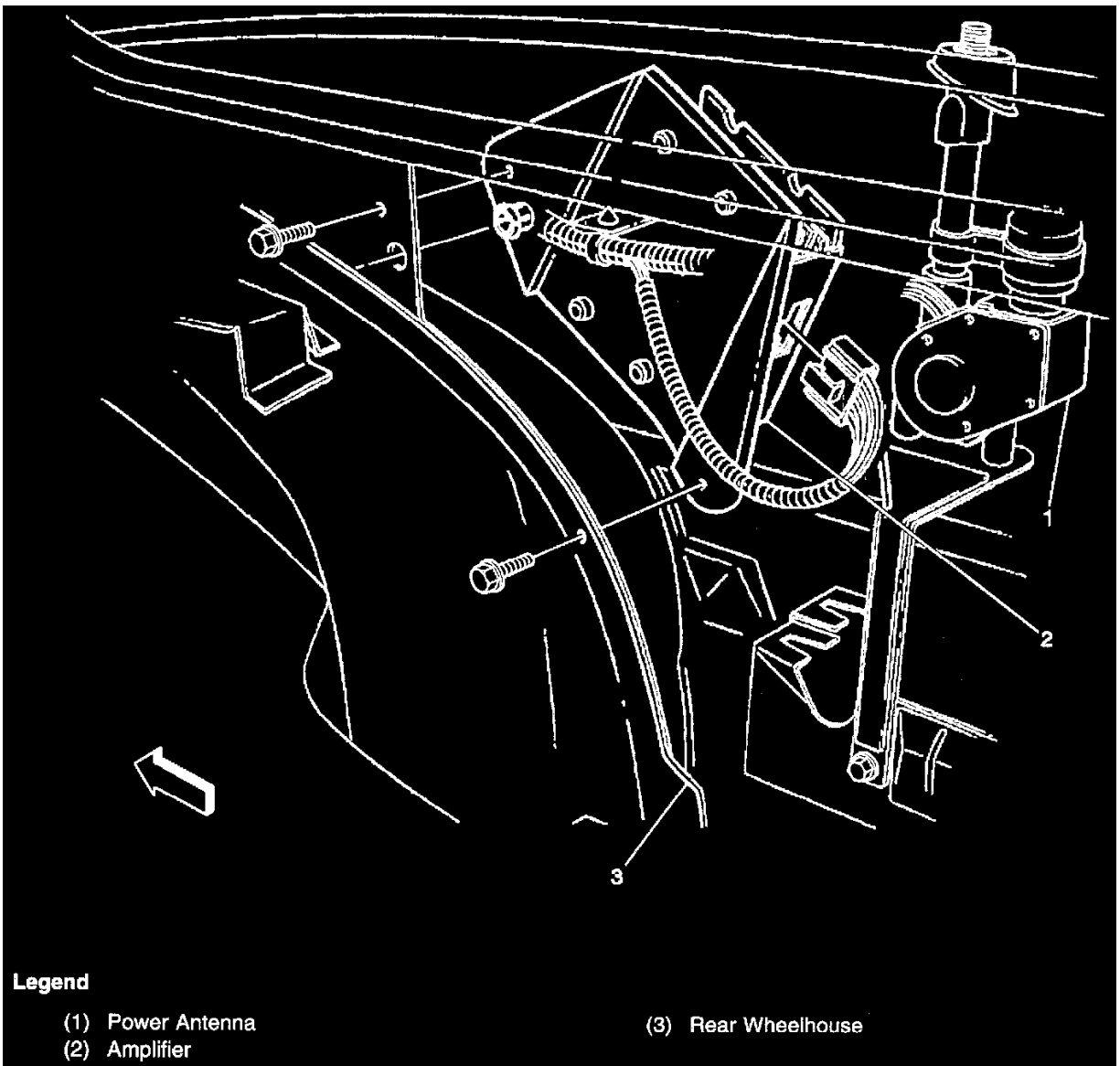
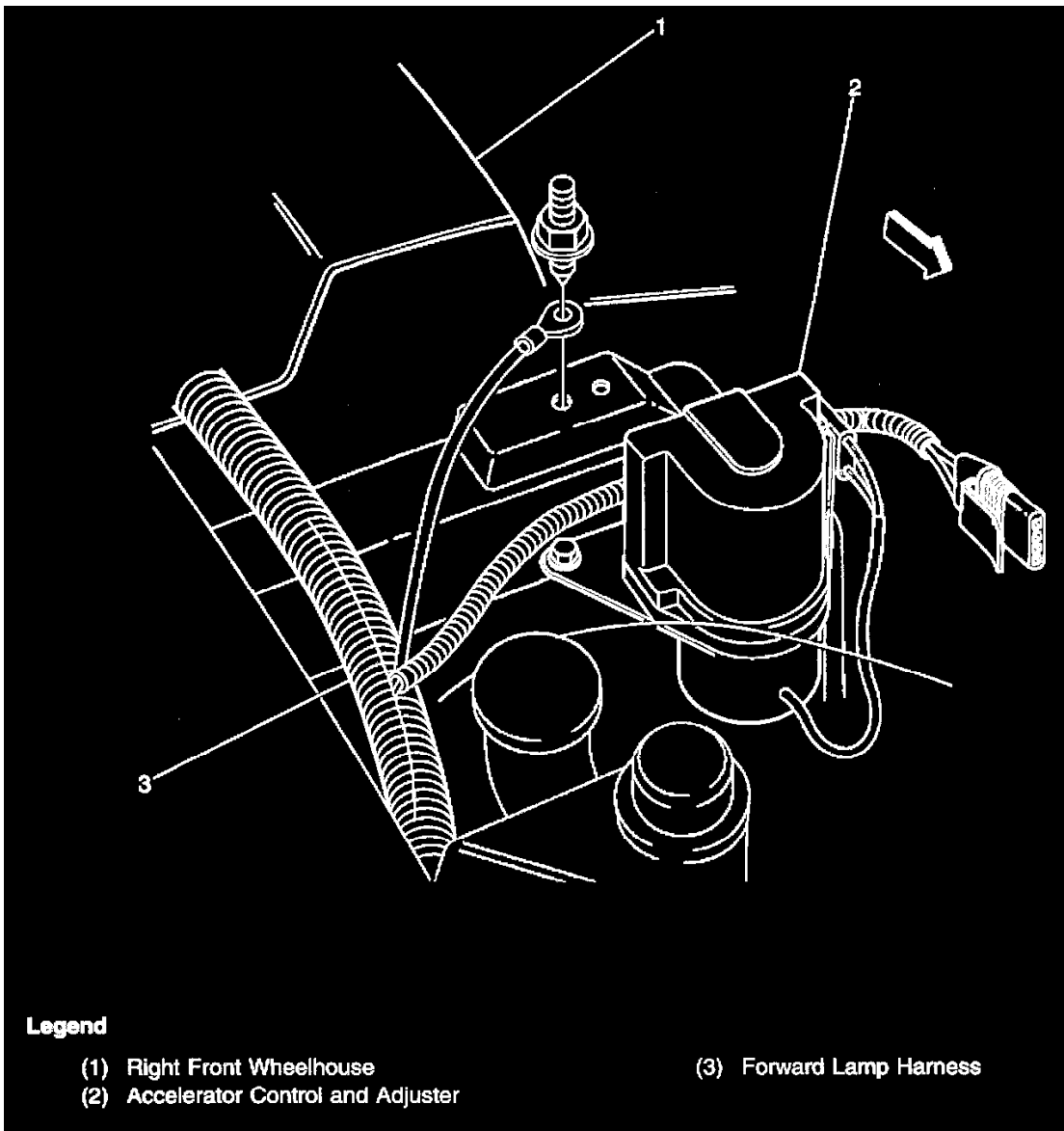


Locations View



Locations View

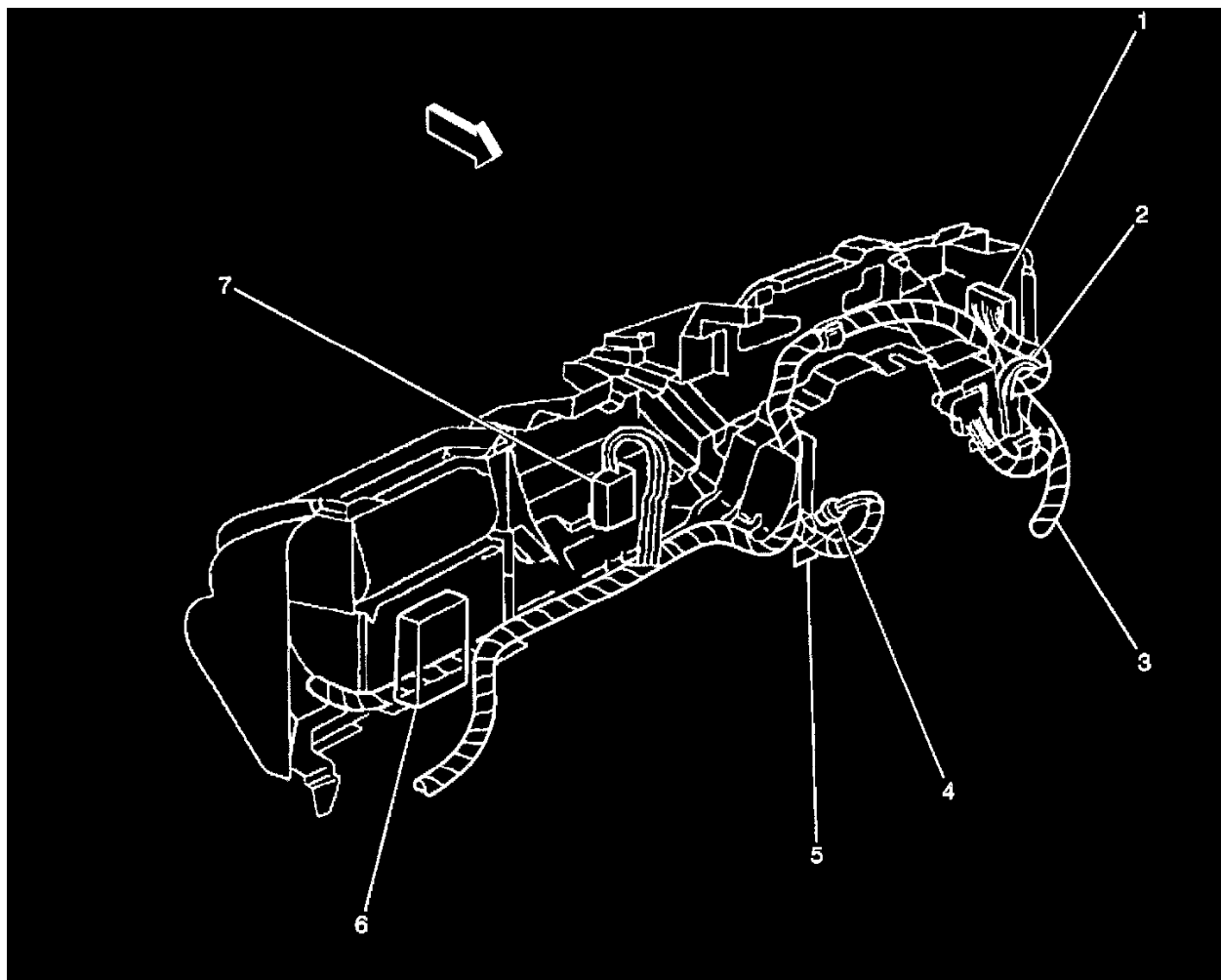


Locations View

Windshield Washer Pump

On the front of the vehicle, forward of the top radiator support

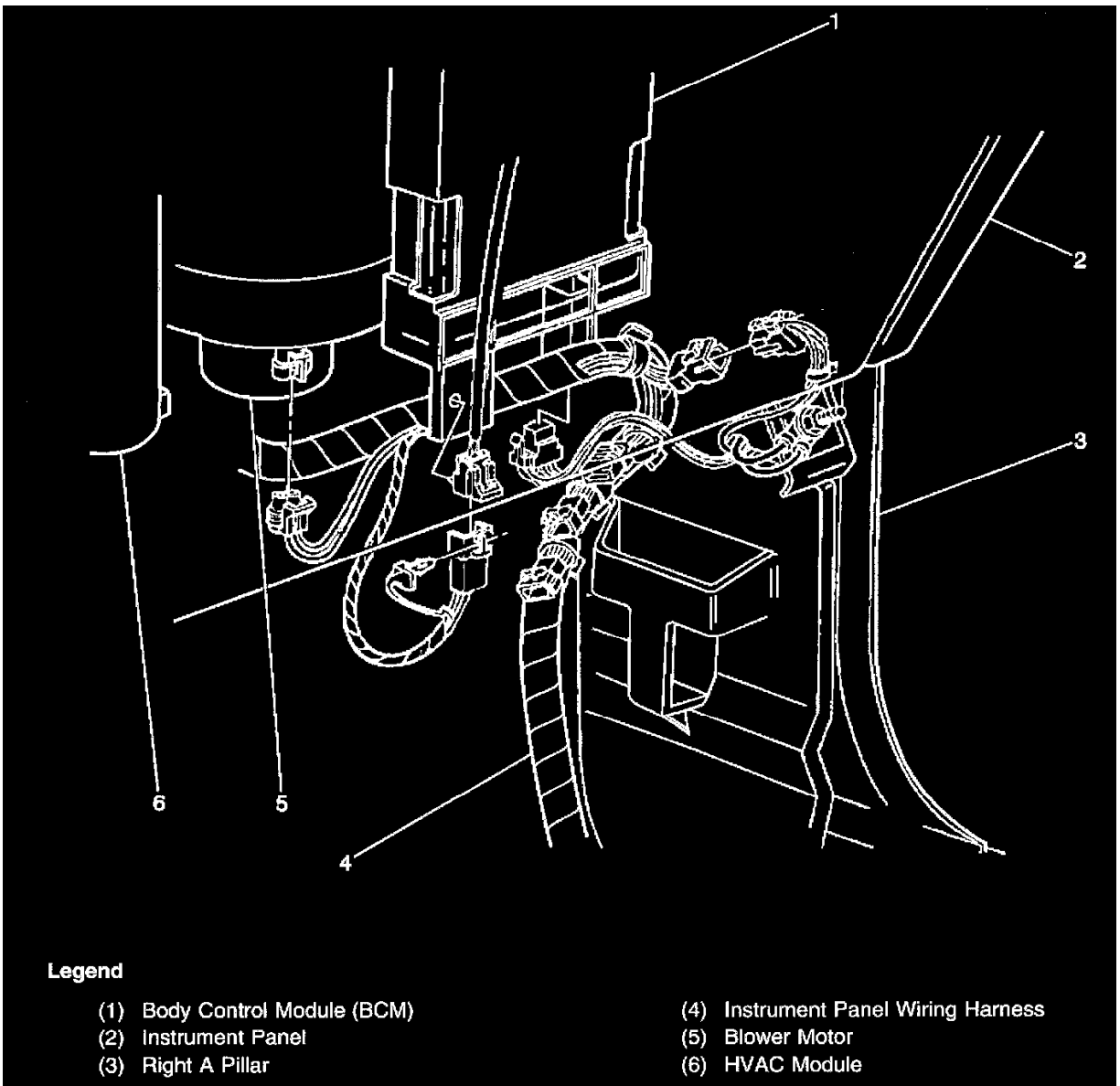
Body Control Module (BCM)



Legend

- | | |
|------------------------------|--|
| (1) IP Fuse Block | (5) Data Link Connector (DLC) |
| (2) Hazard Lamp Flasher | (6) Body Control Module (BCM) |
| (3) IP Wiring Harness | (7) Daytime Running Lamps (DRL) Module |
| (4) Turn Signal Lamp Flasher | |

Locations View



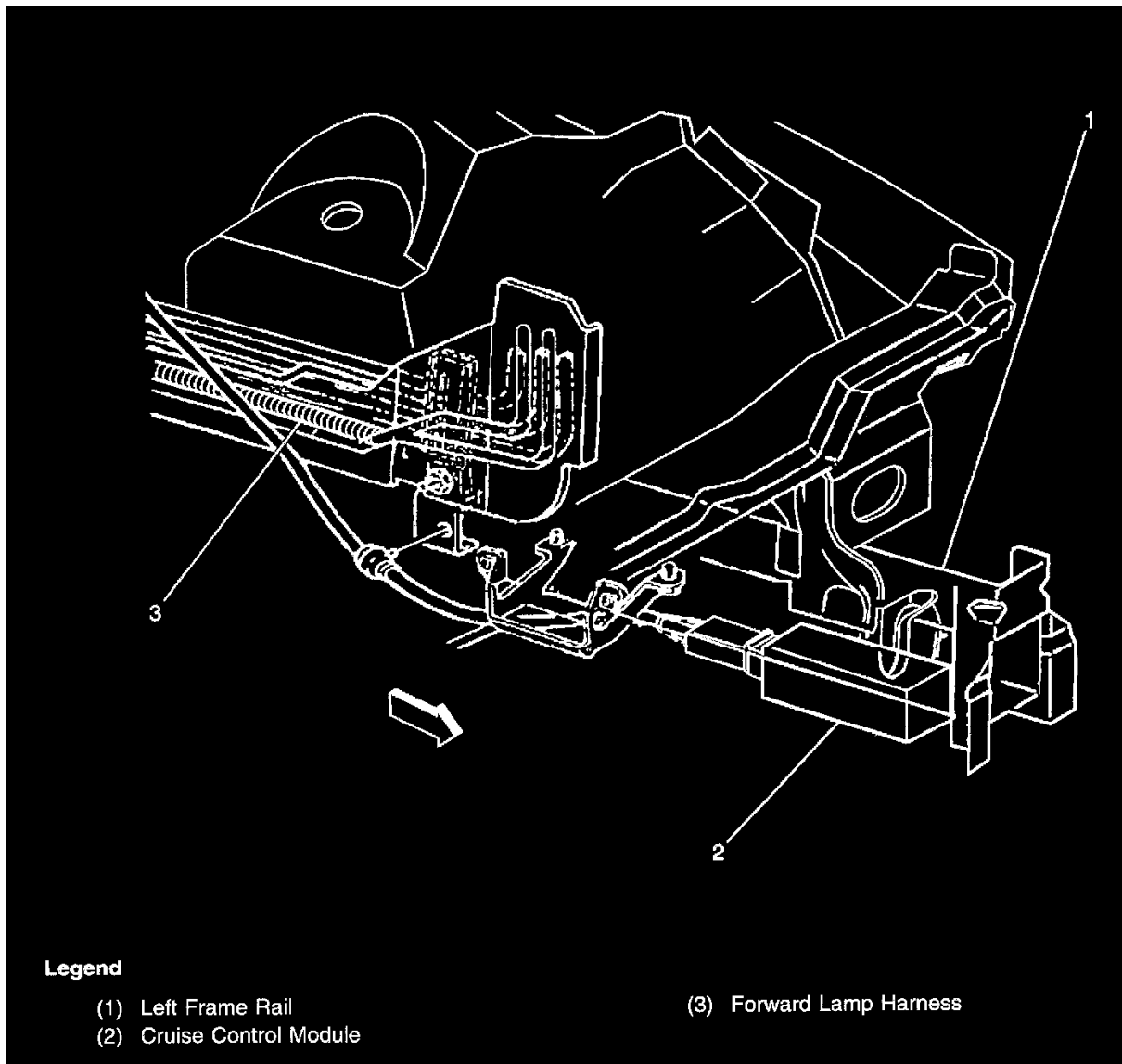
Legend

- | | |
|-------------------------------|-------------------------------------|
| (1) Body Control Module (BCM) | (4) Instrument Panel Wiring Harness |
| (2) Instrument Panel | (5) Blower Motor |
| (3) Right A Pillar | (6) HVAC Module |

Locations View

Under the right side of the IP near the blower motor

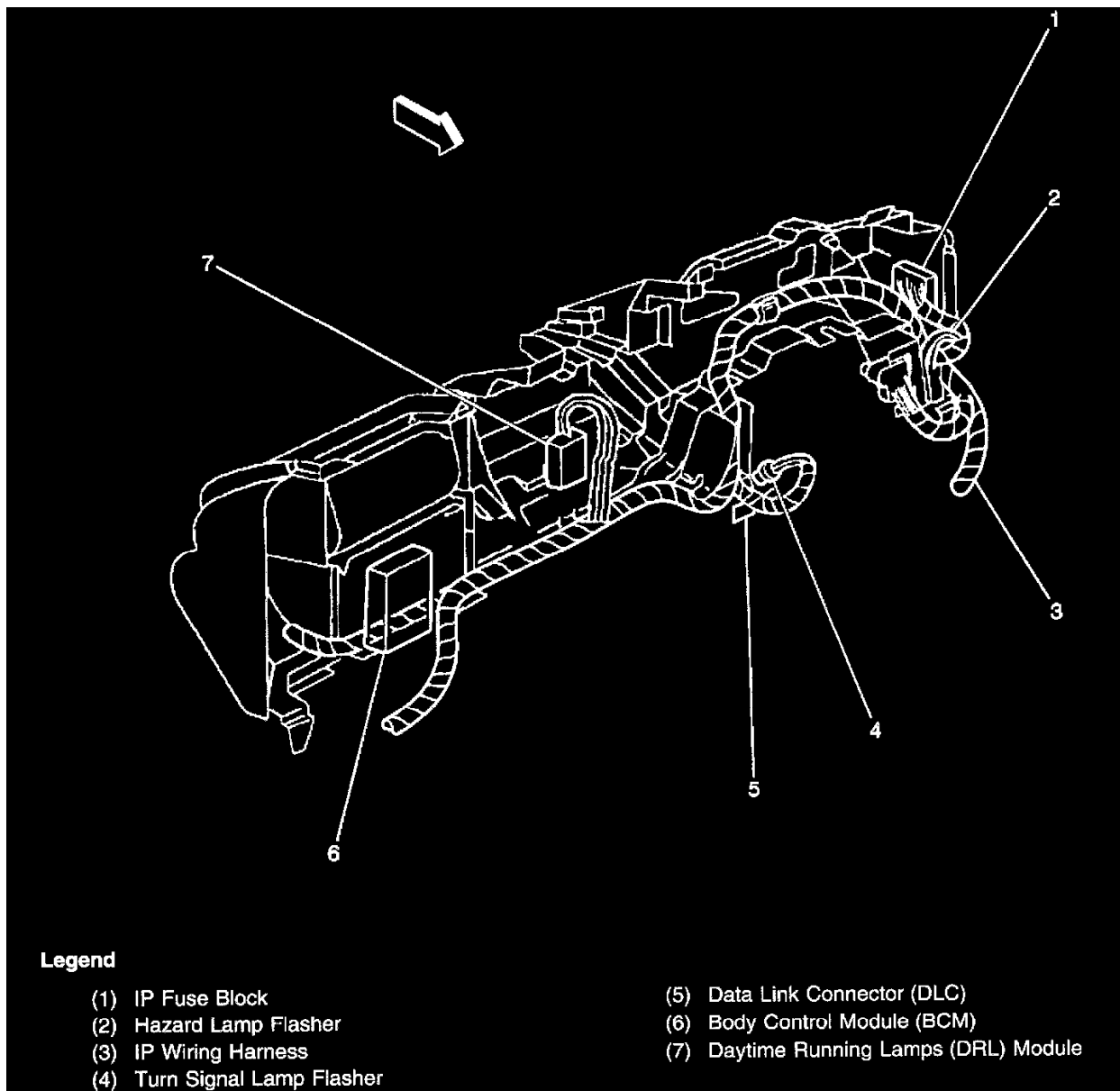
Cruise Control Module (CCM)



Locations View

Mounted to the left frame rail, forward of the wheelhouse

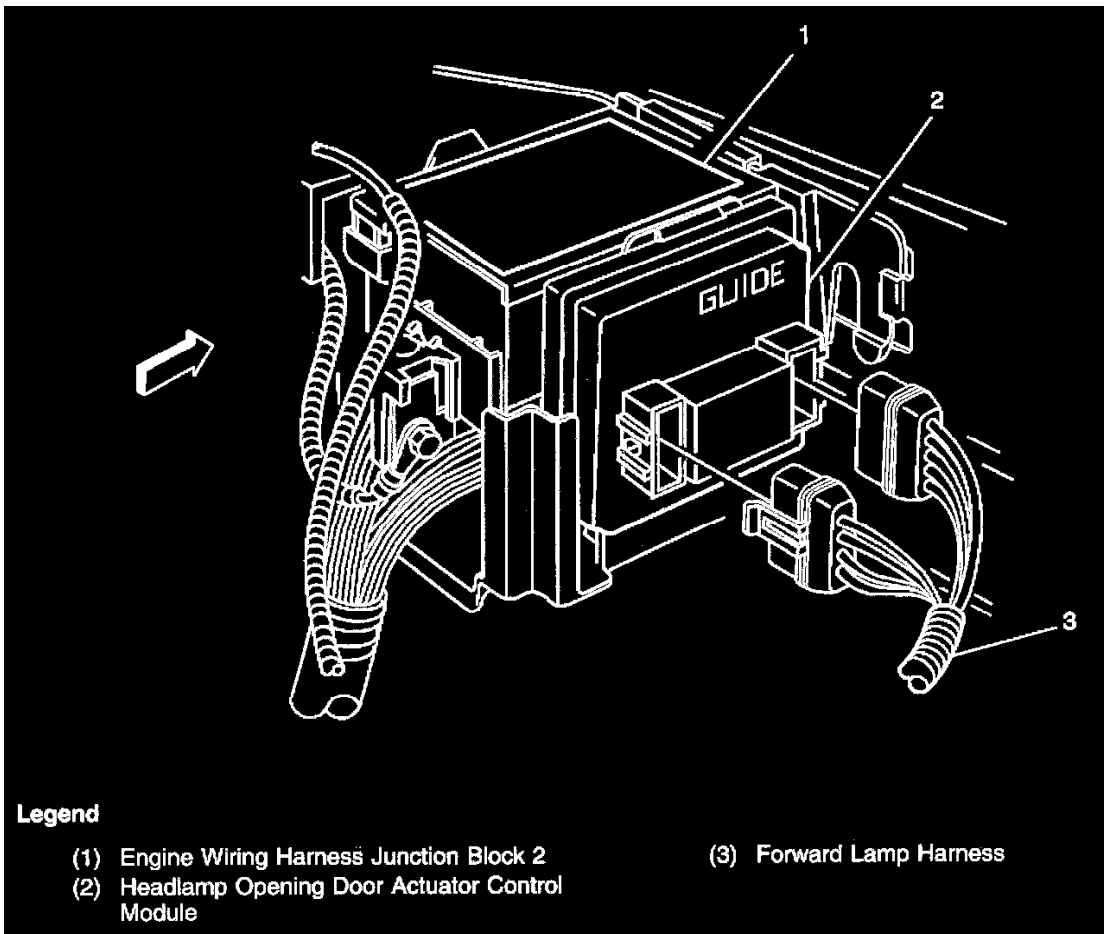
Daytime Running Lamps (DRL) Control Module



Locations View

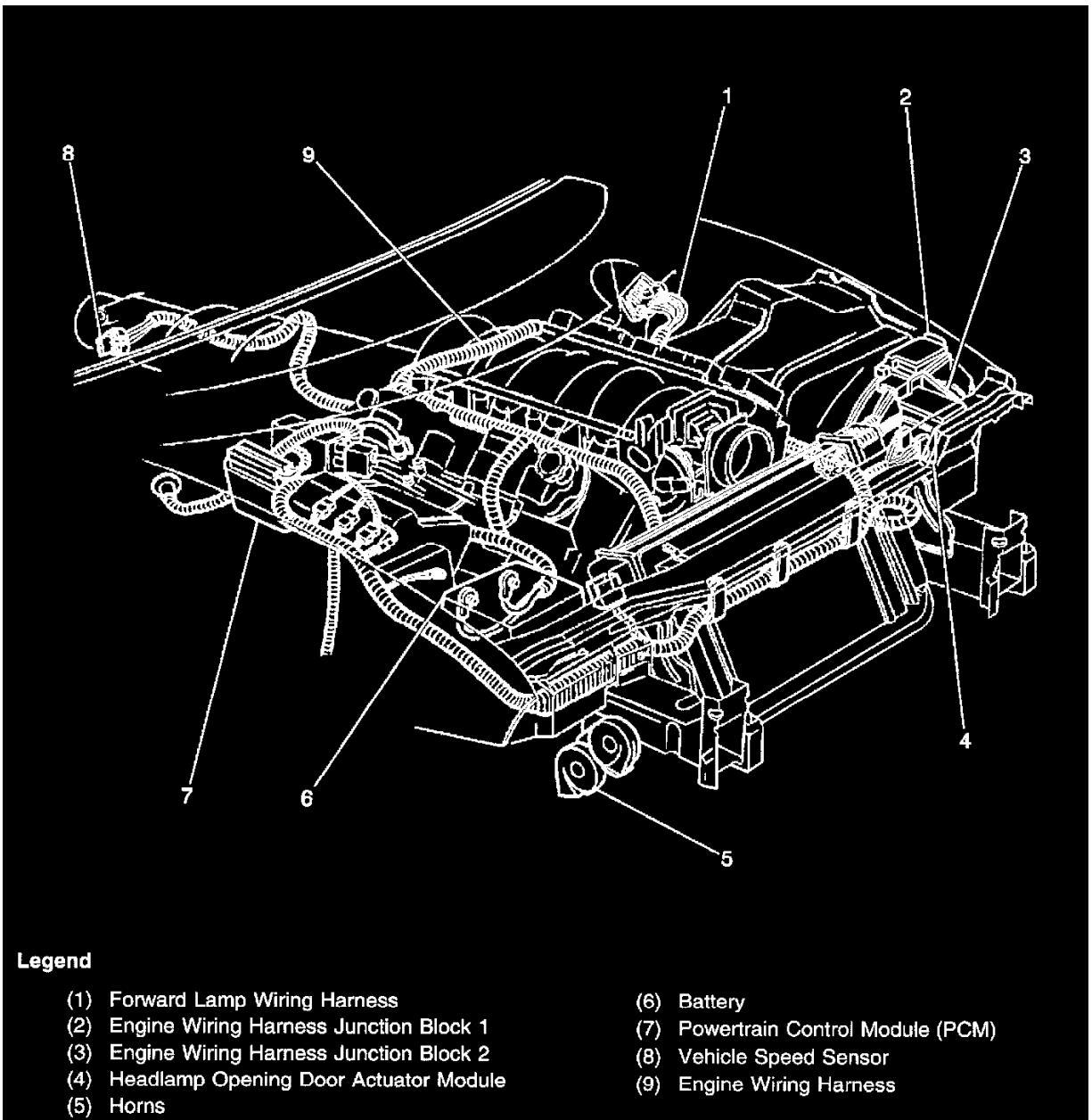
Mounted behind the radio and the HVAC control, left of the IP compartment

Headlamp Opening Door Actuator Control Module



Locations View

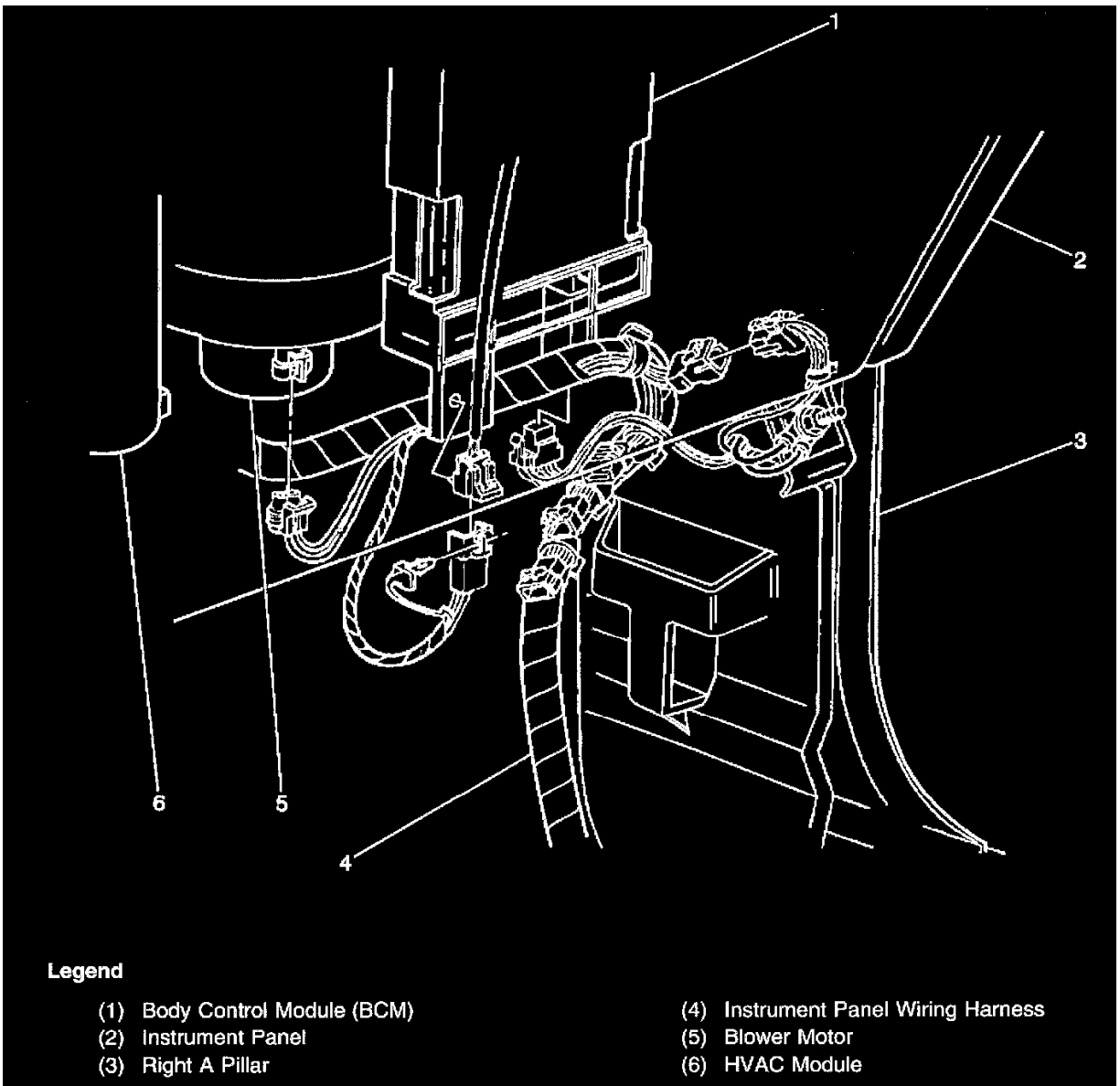
On the front right side of the engine compartment, beside the underhood electrical center 2



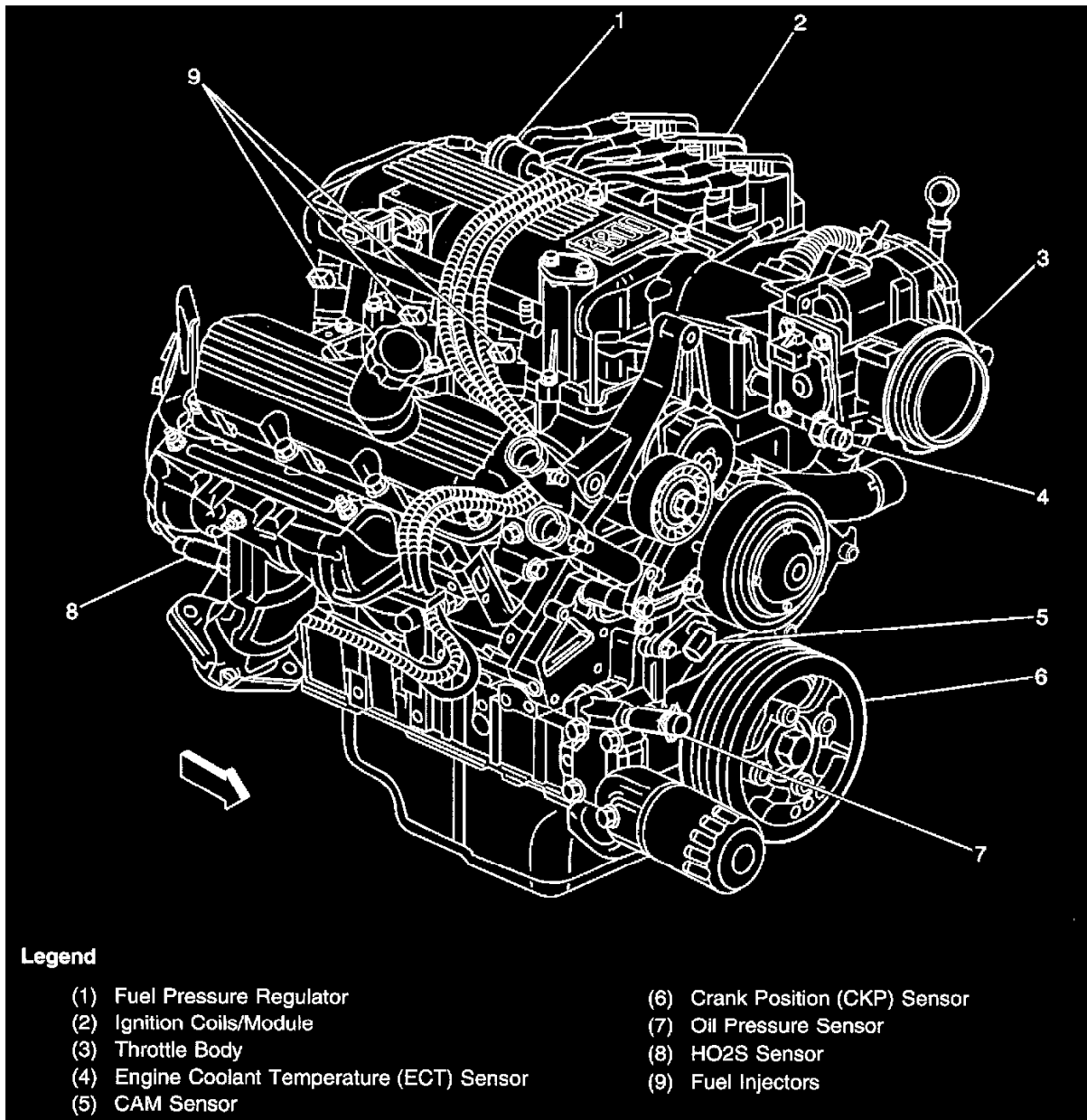
Legend

- | | |
|--|-------------------------------------|
| (1) Forward Lamp Wiring Harness | (6) Battery |
| (2) Engine Wiring Harness Junction Block 1 | (7) Powertrain Control Module (PCM) |
| (3) Engine Wiring Harness Junction Block 2 | (8) Vehicle Speed Sensor |
| (4) Headlamp Opening Door Actuator Module | (9) Engine Wiring Harness |
| (5) Horns | |

Locations View



Locations View



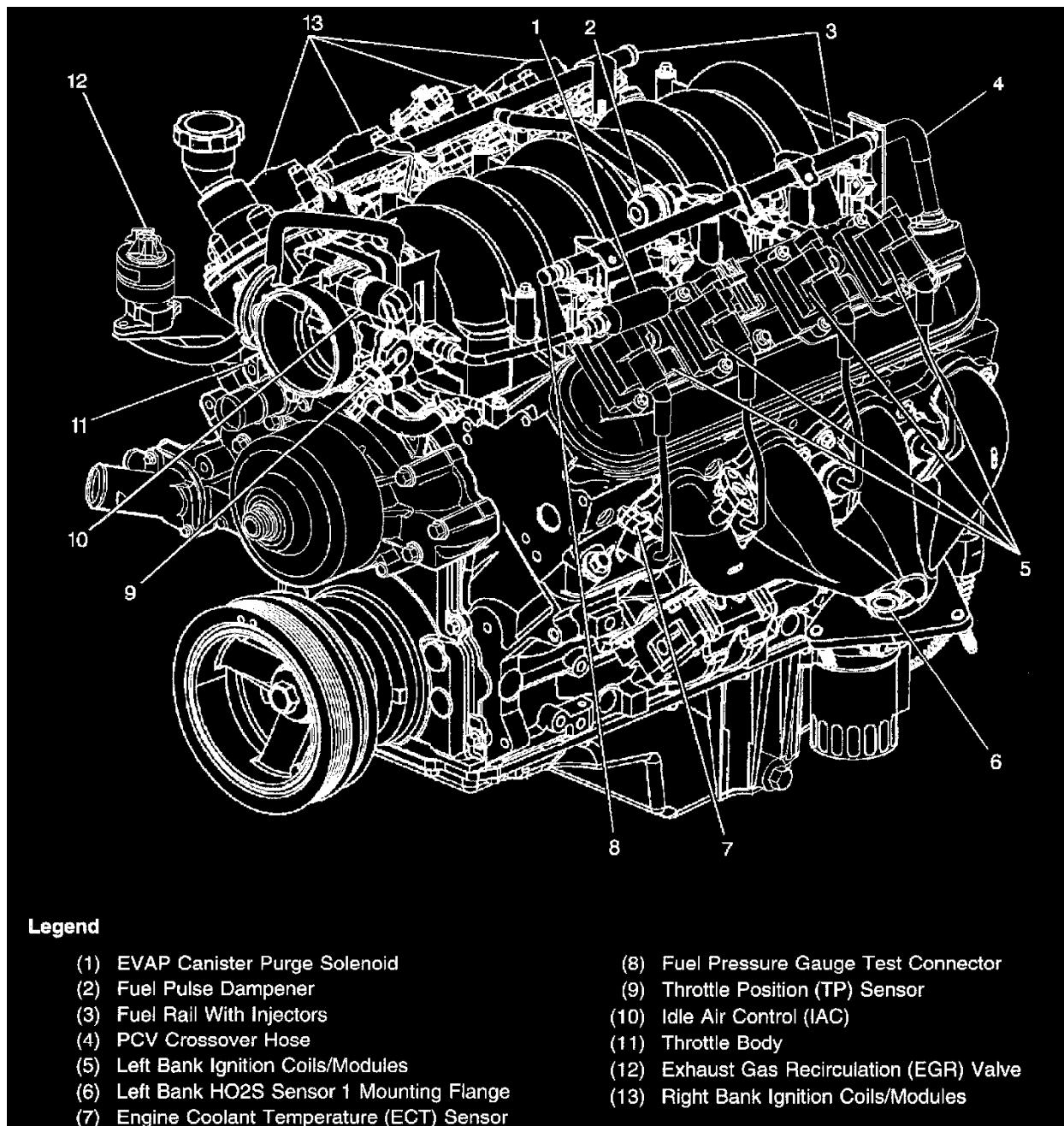
Locations View

Ignition Coils/Modules (Bank 1)

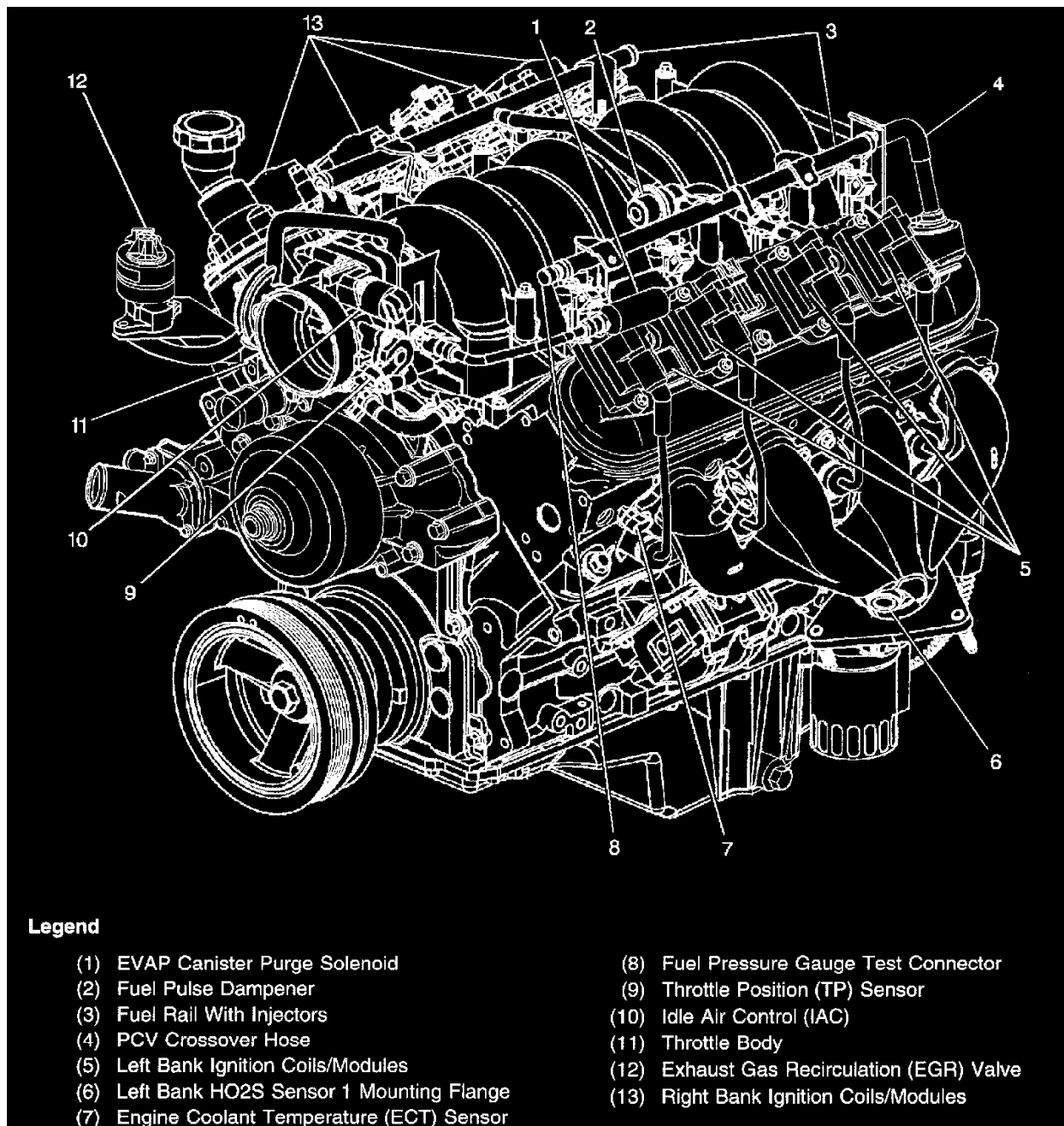
On the valve cover at the top of each engine cylinder, on the left side of the engine

Ignition Coils/Modules (Bank 2)

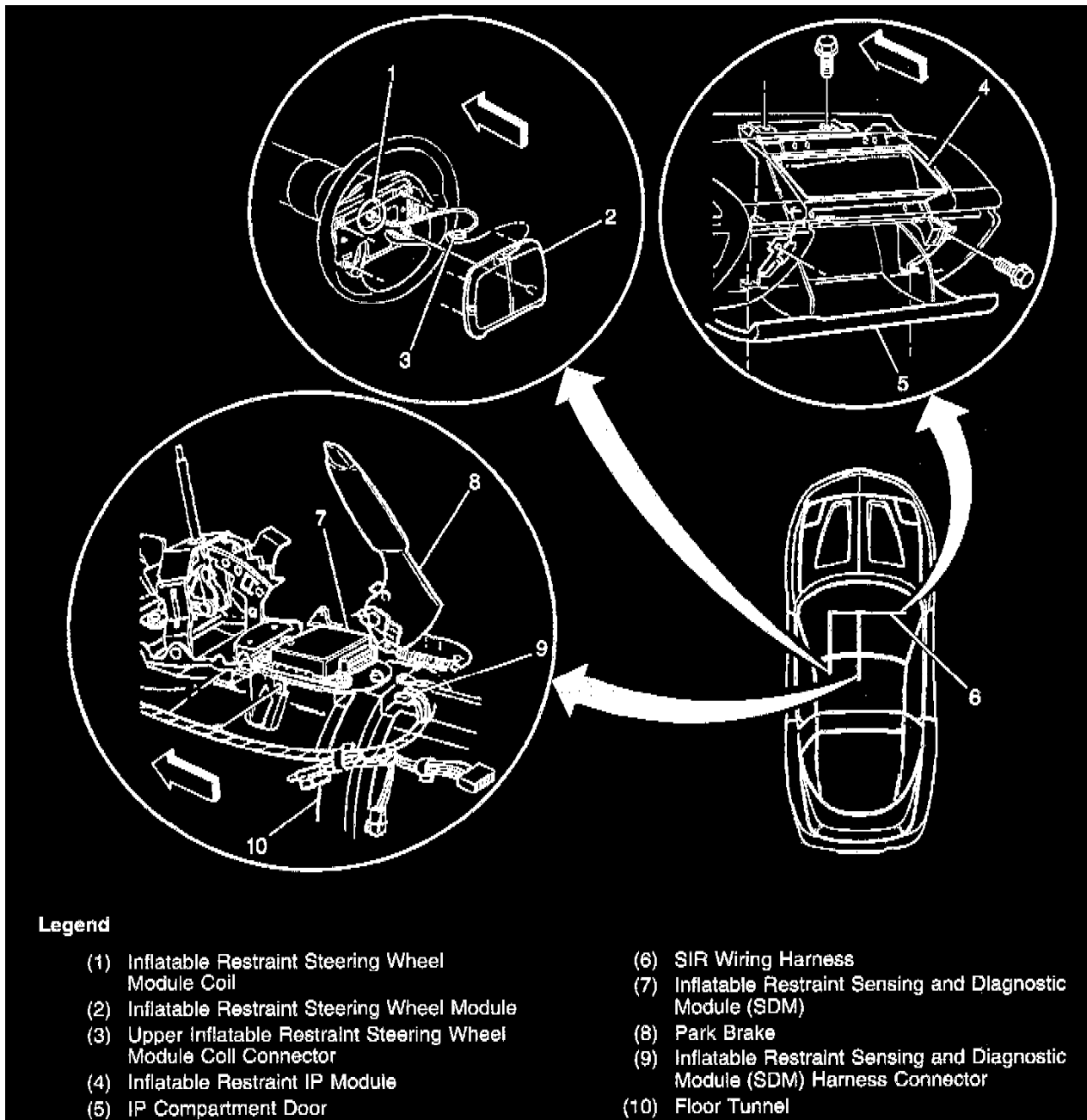
On the valve cover at the top of each engine cylinder, on the right side of the engine



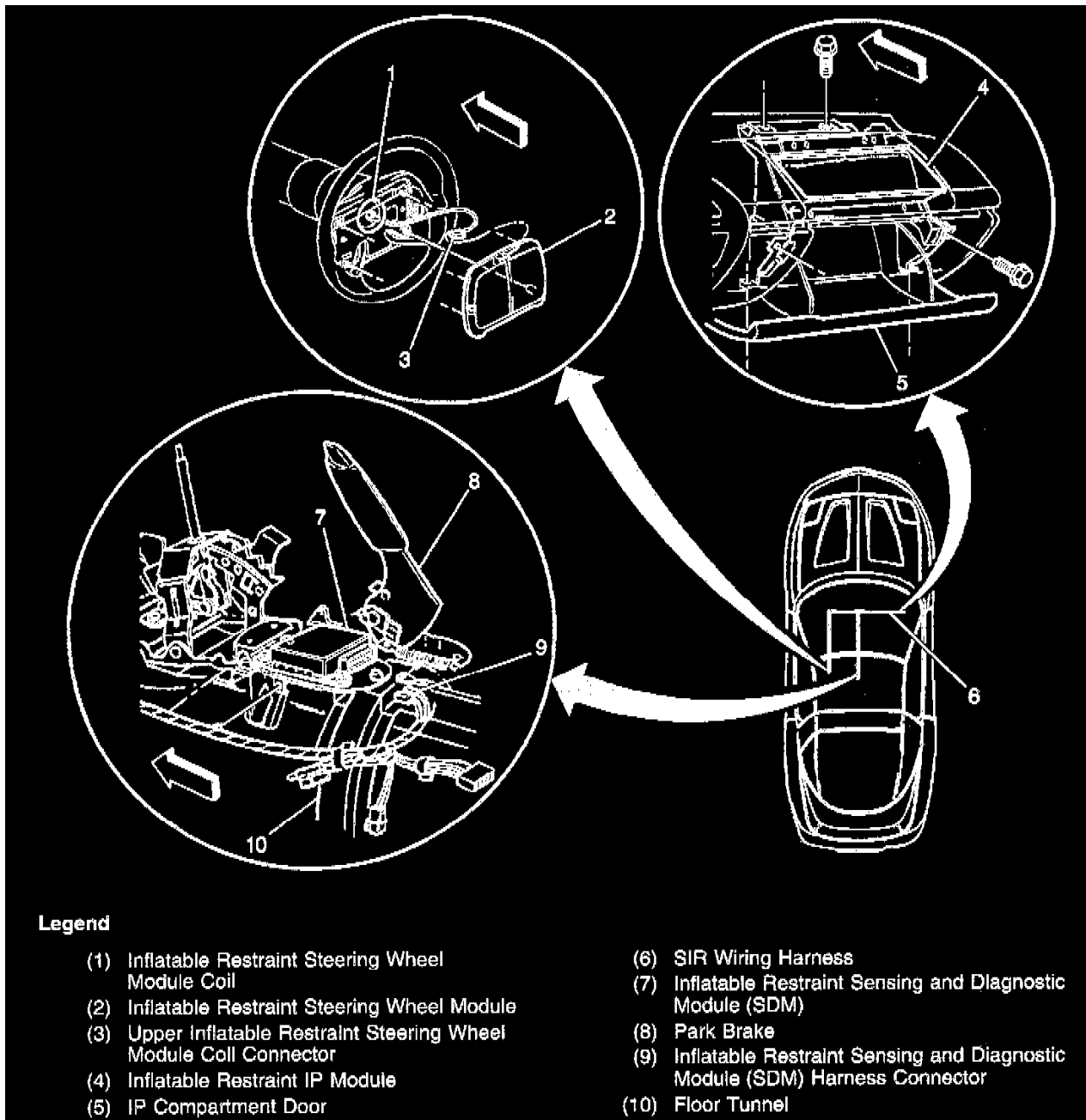
Locations View



Locations View

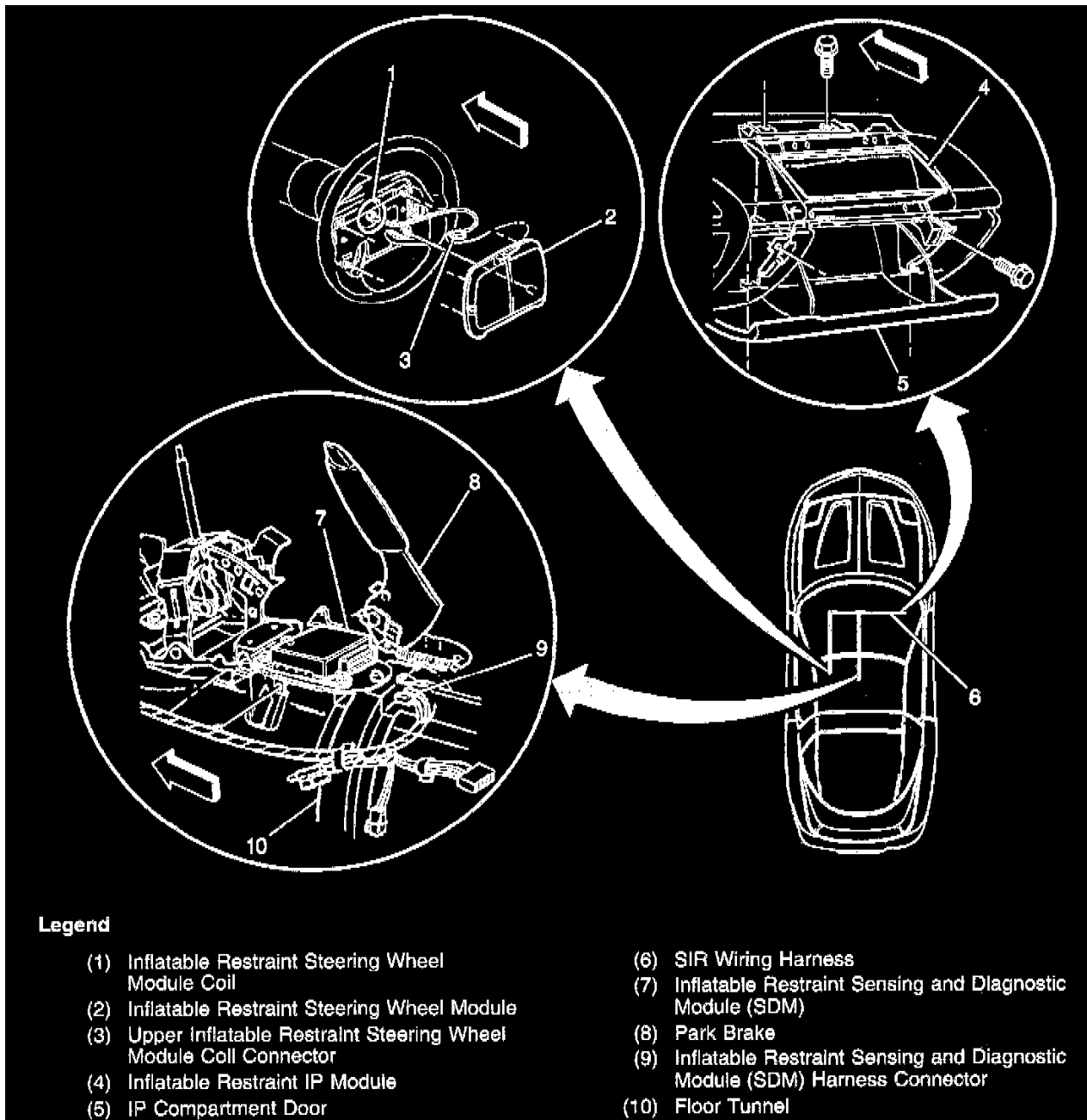


Locations View

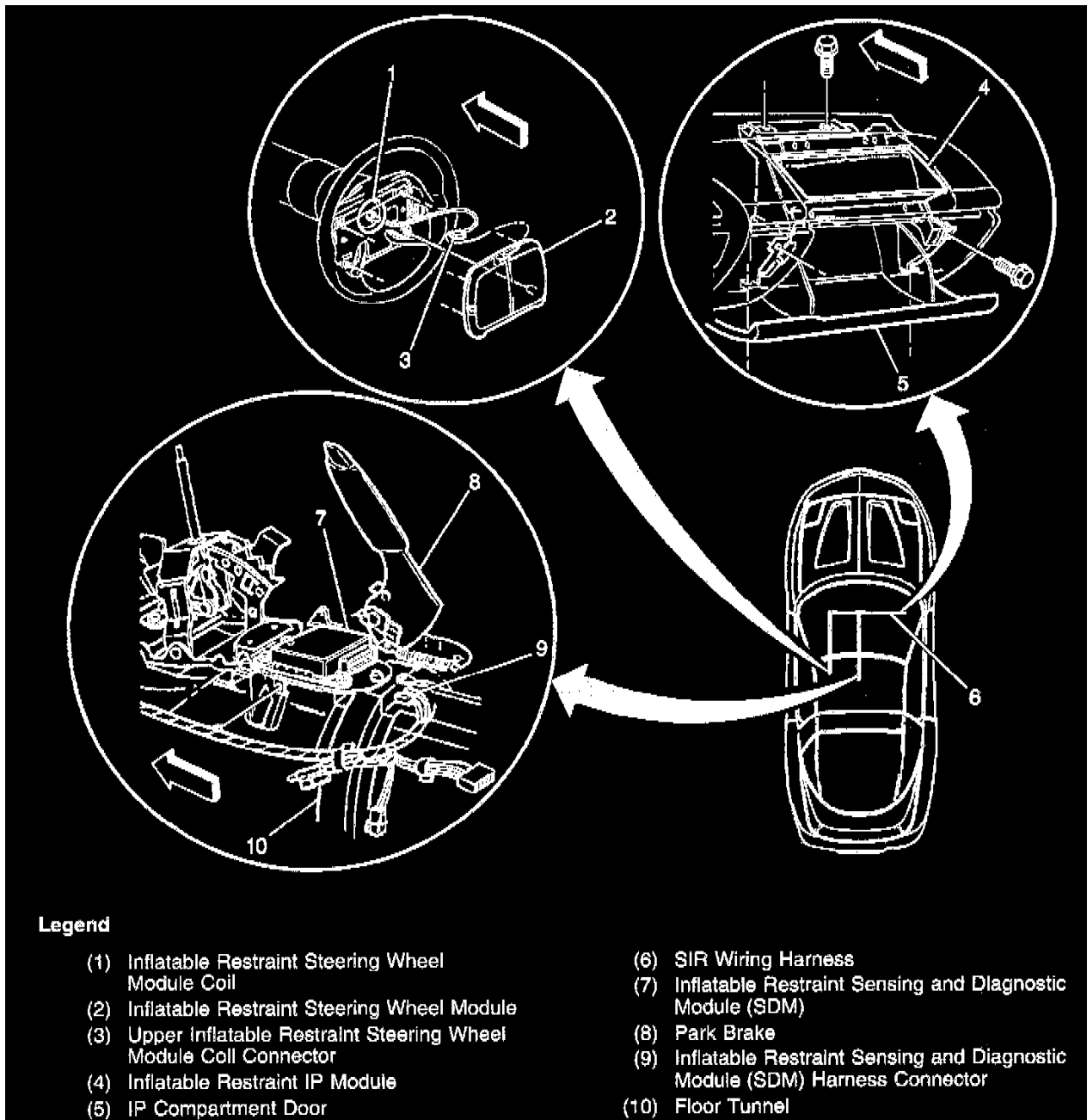


Locations View

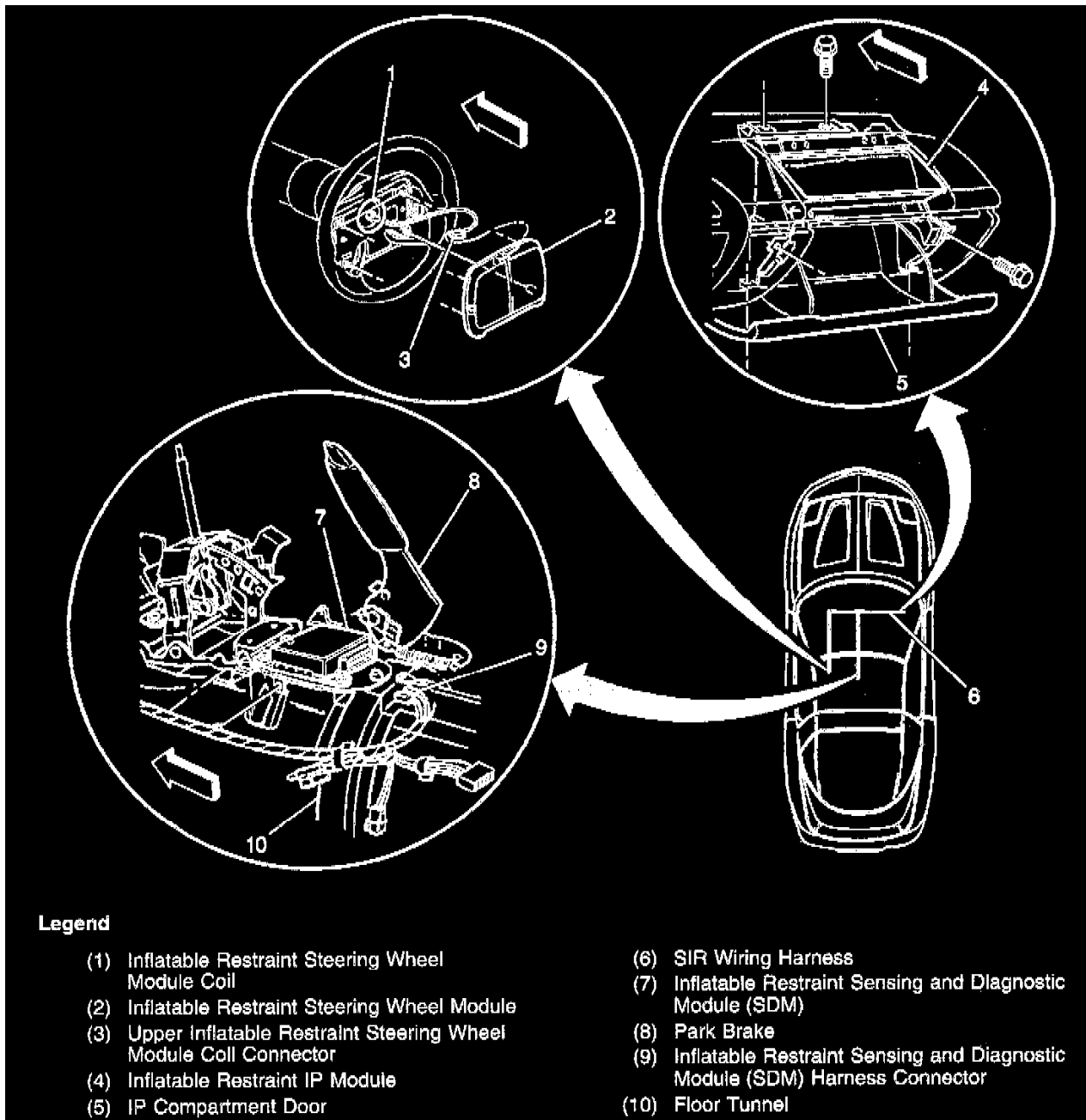
Inflatable Restraint Steering Wheel Module



Locations View

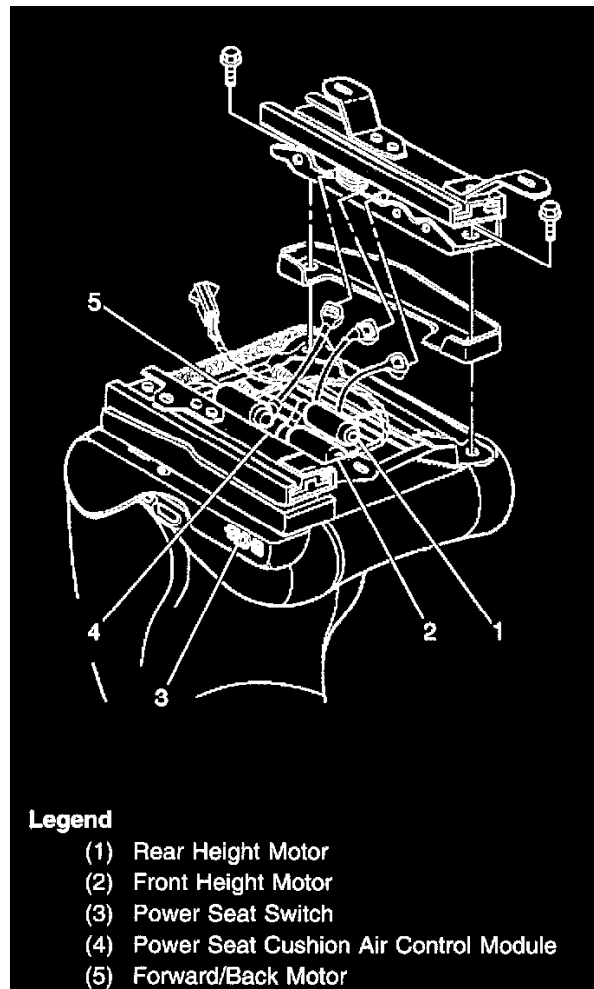


Locations View



Locations View

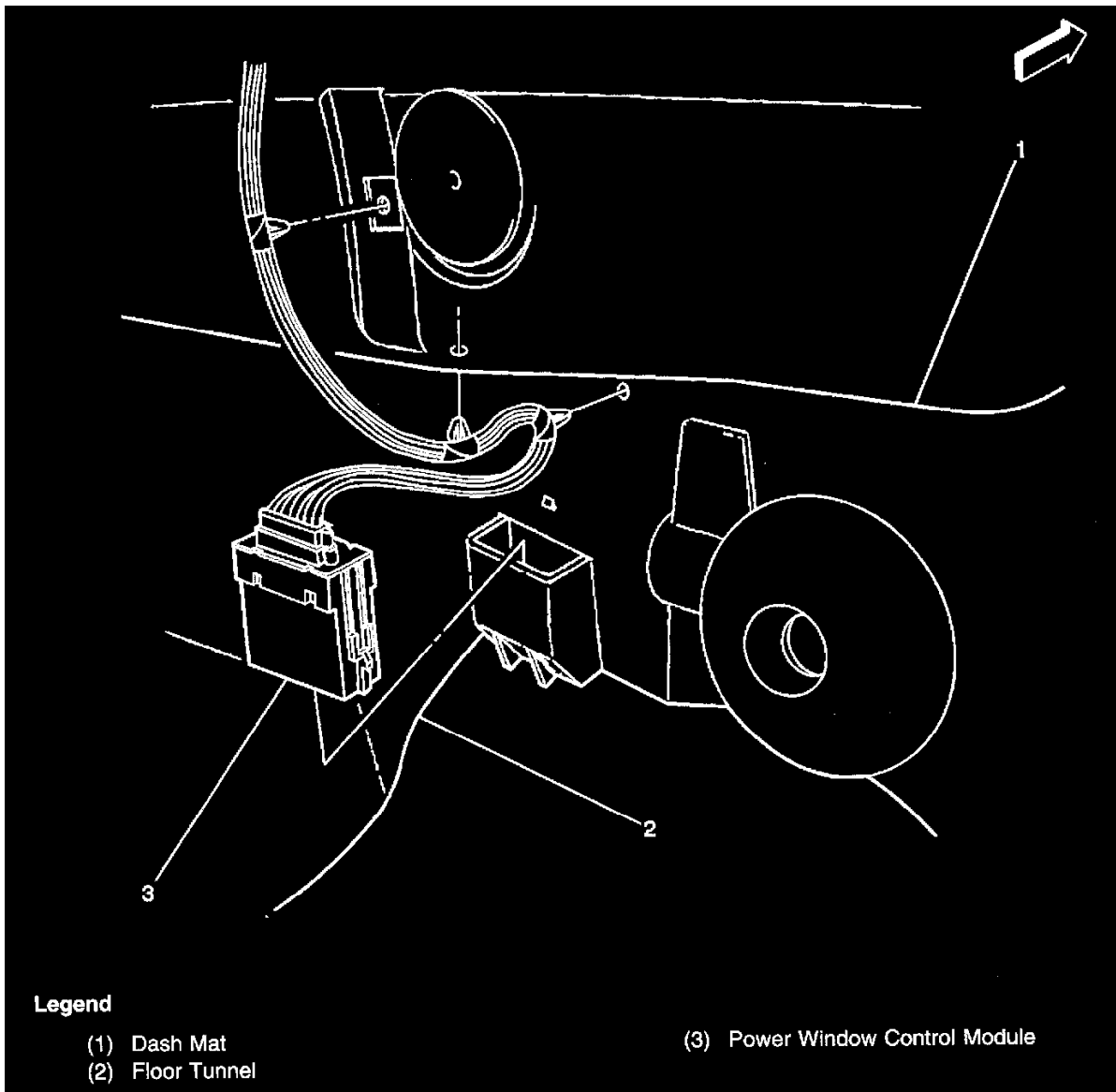
Power Seat Cushion Air Control Module



Locations View

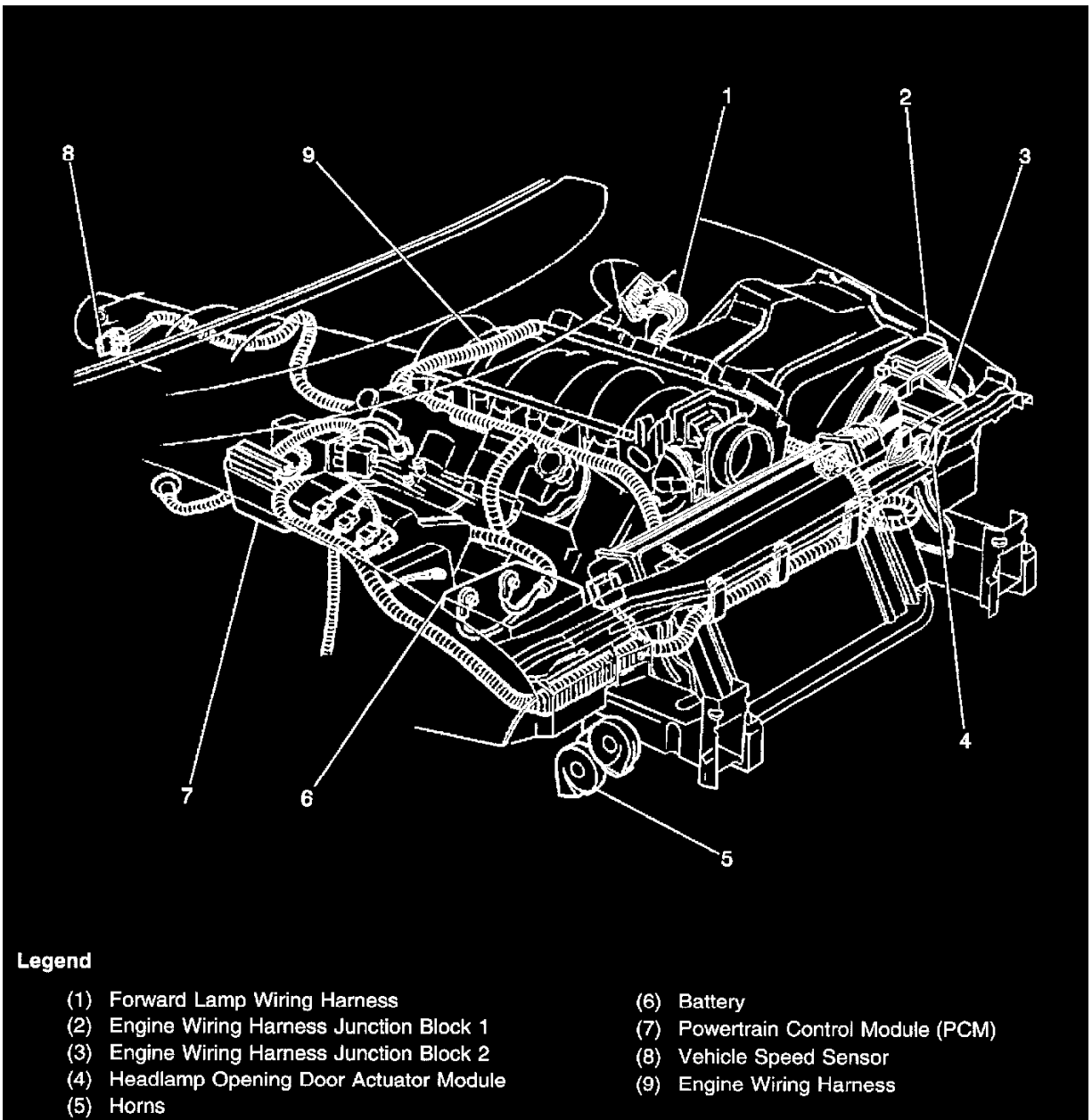
Under the driver seat

Power Window Control Module



Locations View

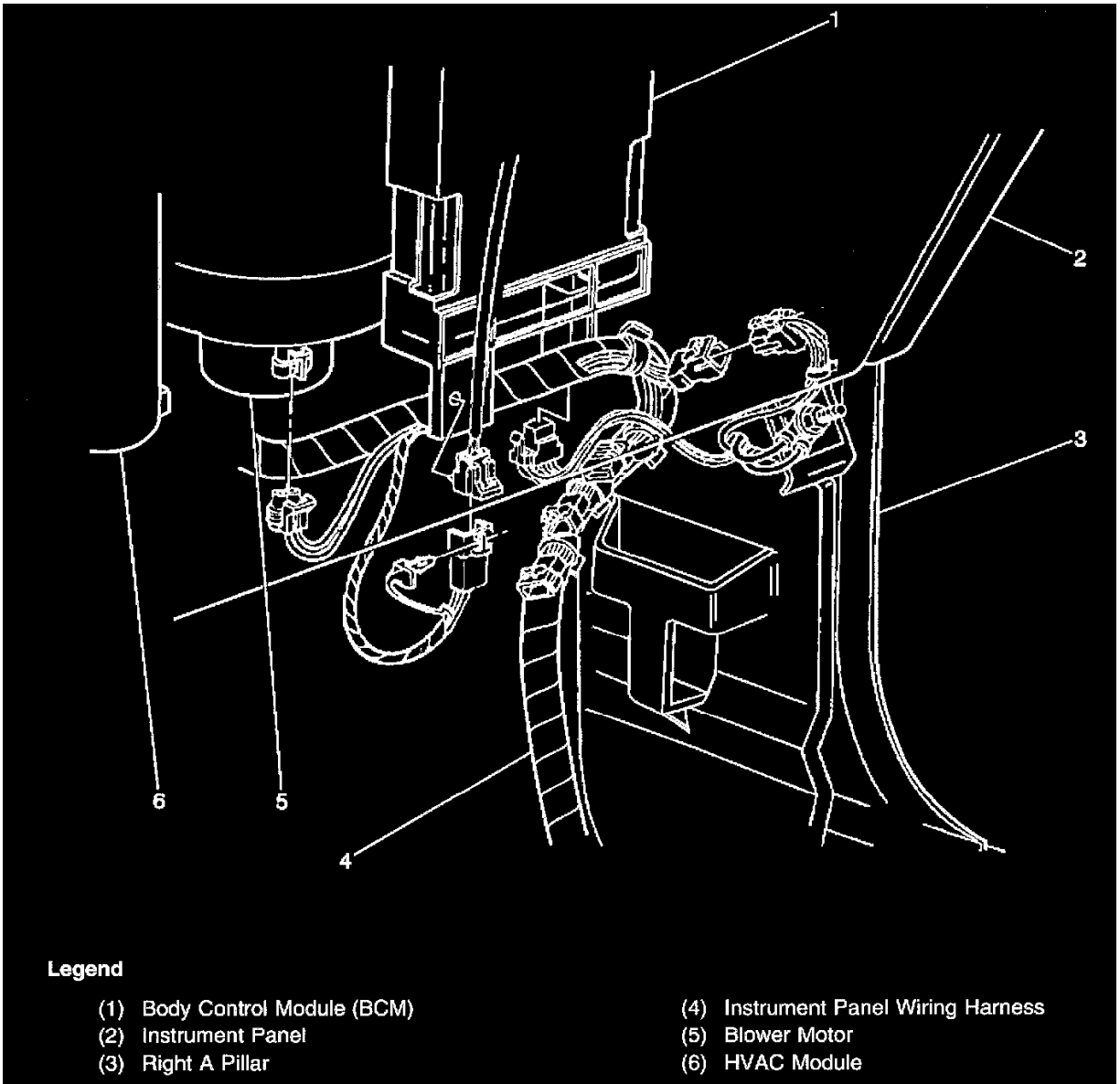
Mounted to the center of the dash mat, above the floor tunnel



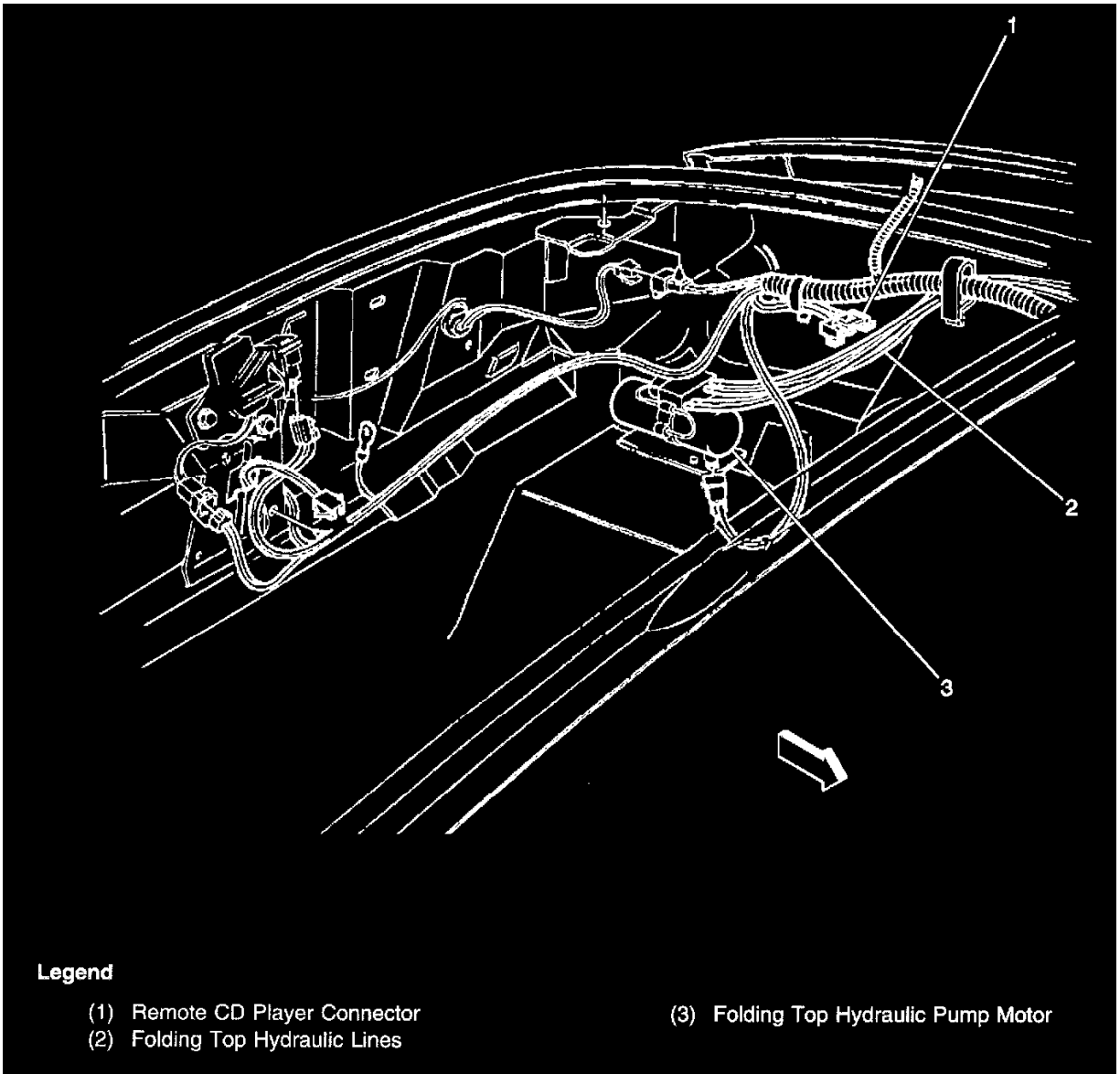
Legend

- | | |
|--|-------------------------------------|
| (1) Forward Lamp Wiring Harness | (6) Battery |
| (2) Engine Wiring Harness Junction Block 1 | (7) Powertrain Control Module (PCM) |
| (3) Engine Wiring Harness Junction Block 2 | (8) Vehicle Speed Sensor |
| (4) Headlamp Opening Door Actuator Module | (9) Engine Wiring Harness |
| (5) Horns | |

Locations View



Locations View

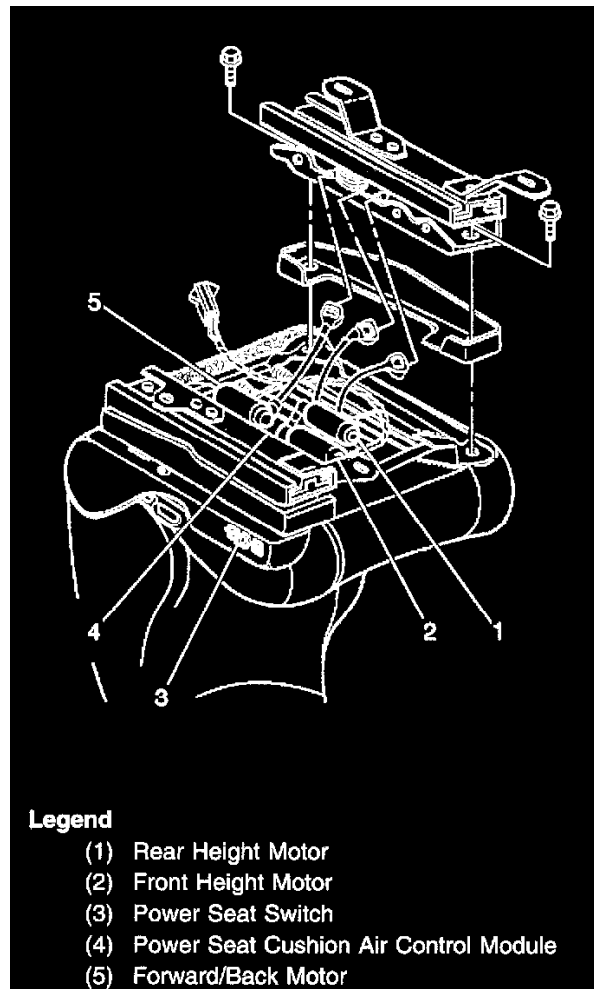


Locations View

Folding Top Pump (with Motor)

On the left side of the rear compartment, behind the carpeting

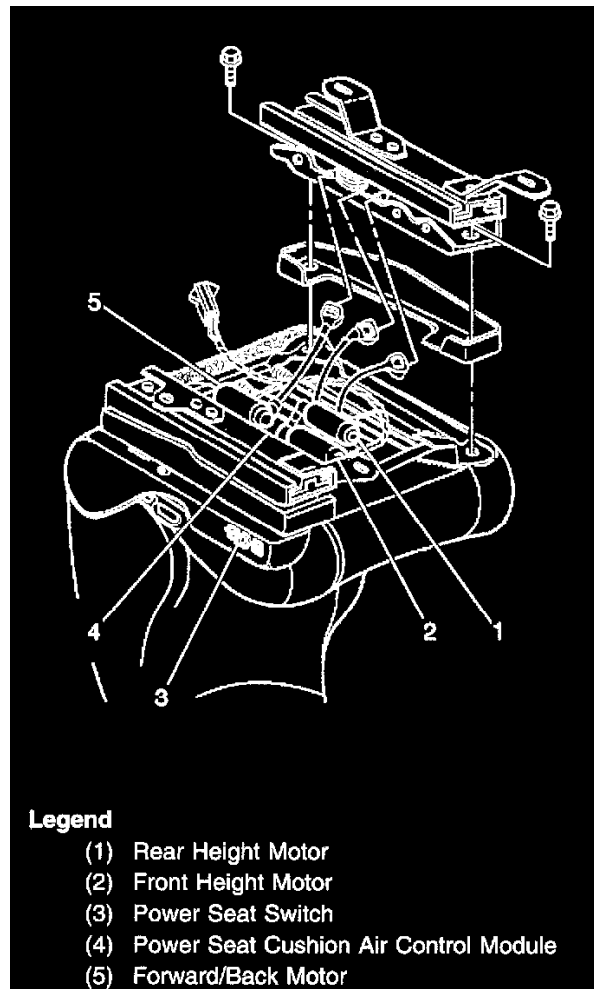
Forward/Back Motor



Locations View

Under the driver seat (part of the power - seat actuator assembly)

Front Height Motor



Locations View

Under the driver seat (part of the power seat actuator assembly)

Front Side Door Window Regulator Motor

Inside the front door

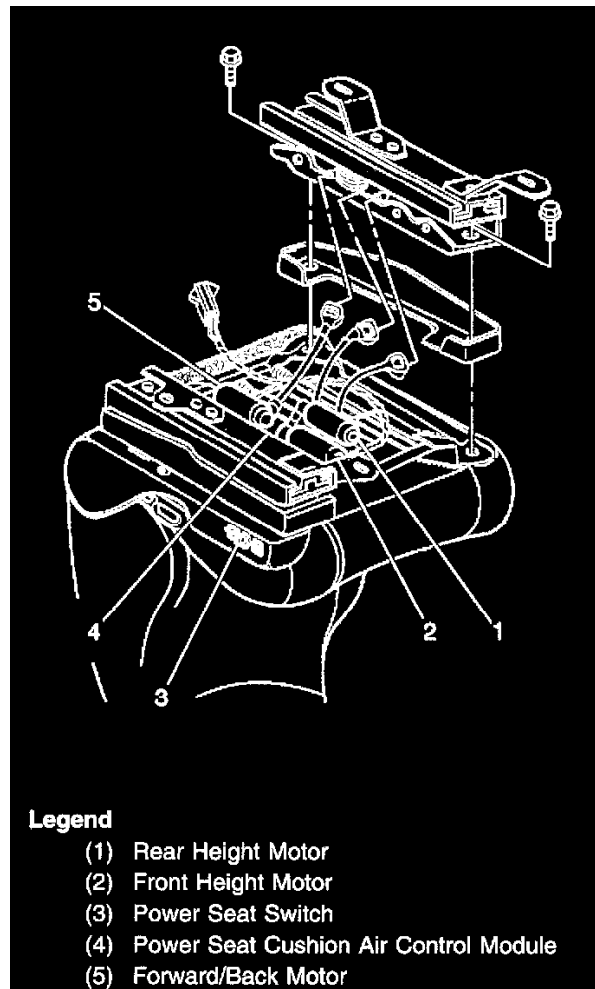
Headlamp Door Motor

On the front of the vehicle, near each headlamp door

Headlamp Leveling Actuator Motor (Europe, Scandinavia)

Part of the headlamp assembly

Height Motor, Rear

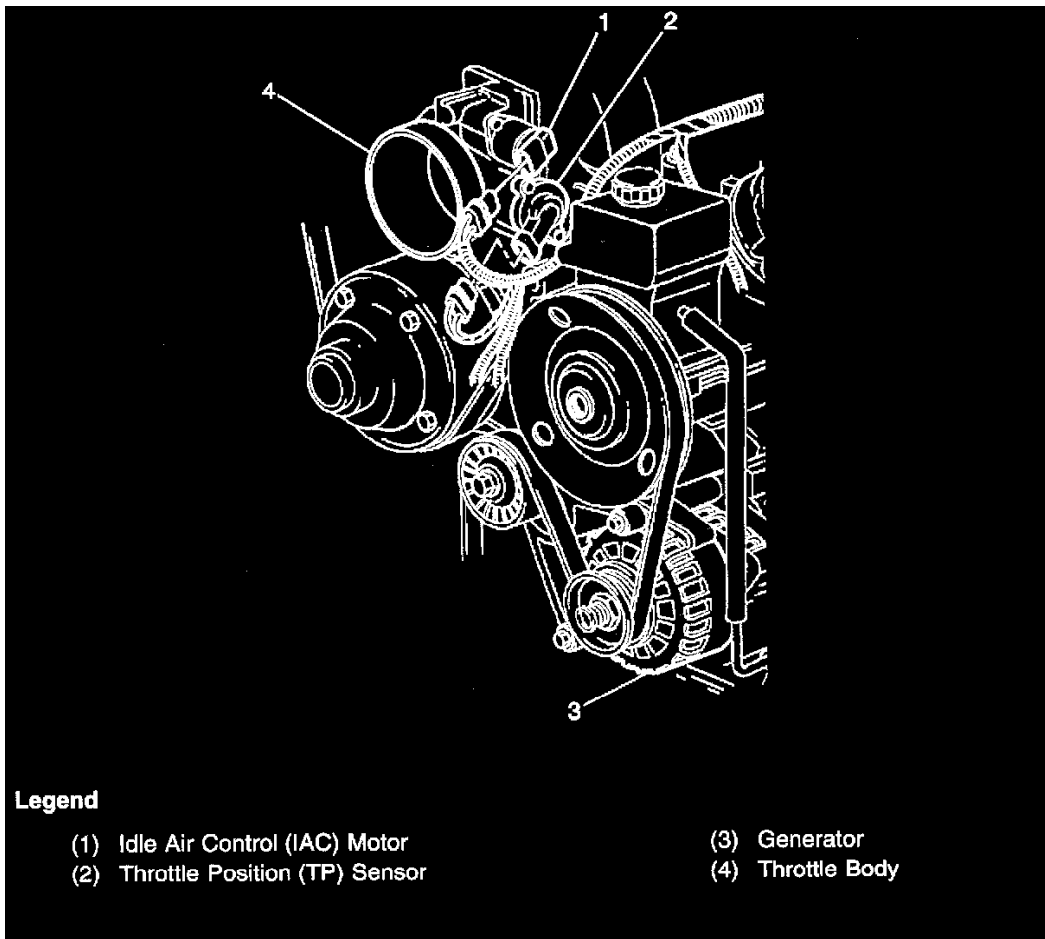


Legend

- (1) Rear Height Motor
- (2) Front Height Motor
- (3) Power Seat Switch
- (4) Power Seat Cushion Air Control Module
- (5) Forward/Back Motor

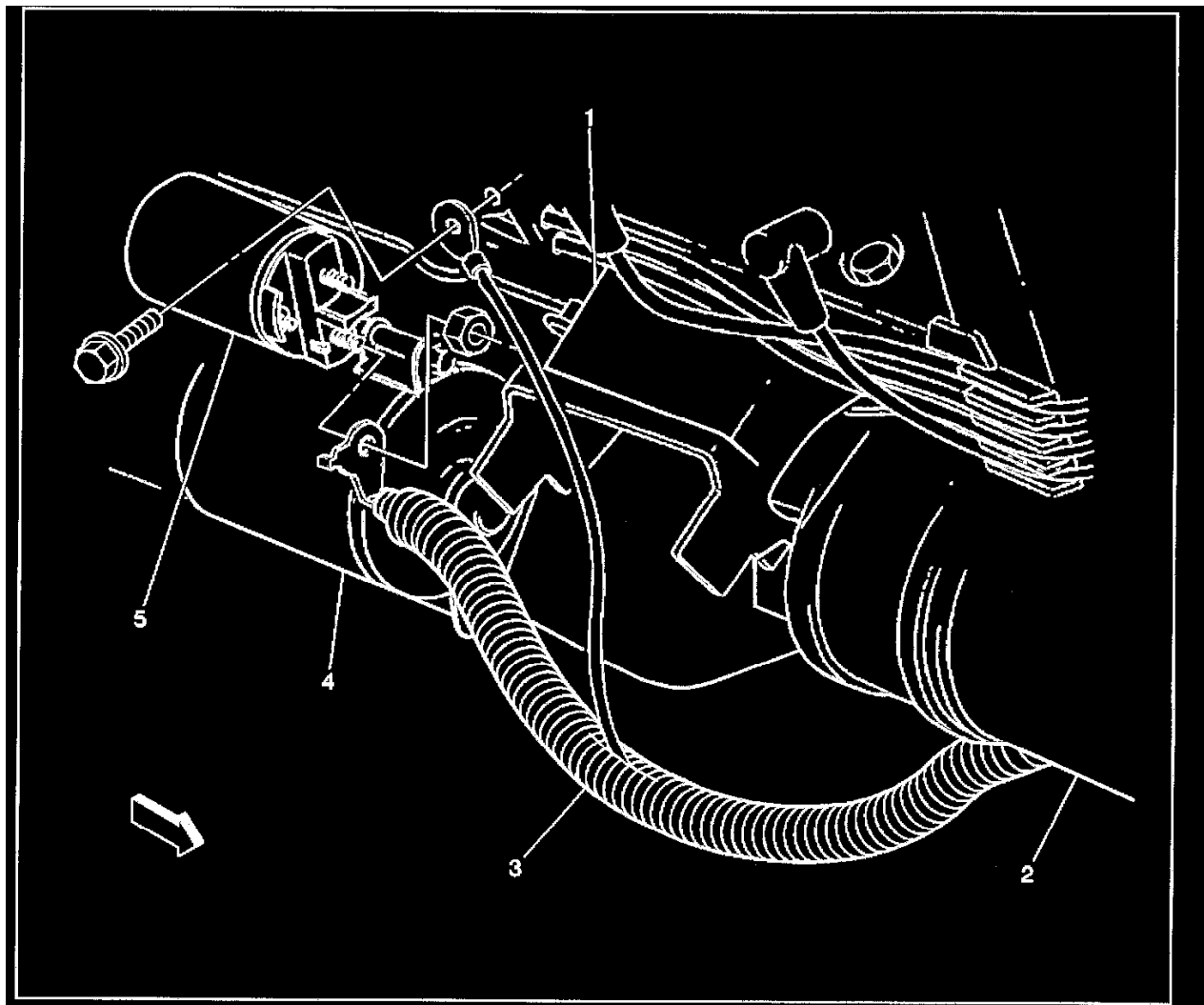
Locations View

Under the driver seat (part of the power seat actuator assembly)



Locations View

Starter Motor



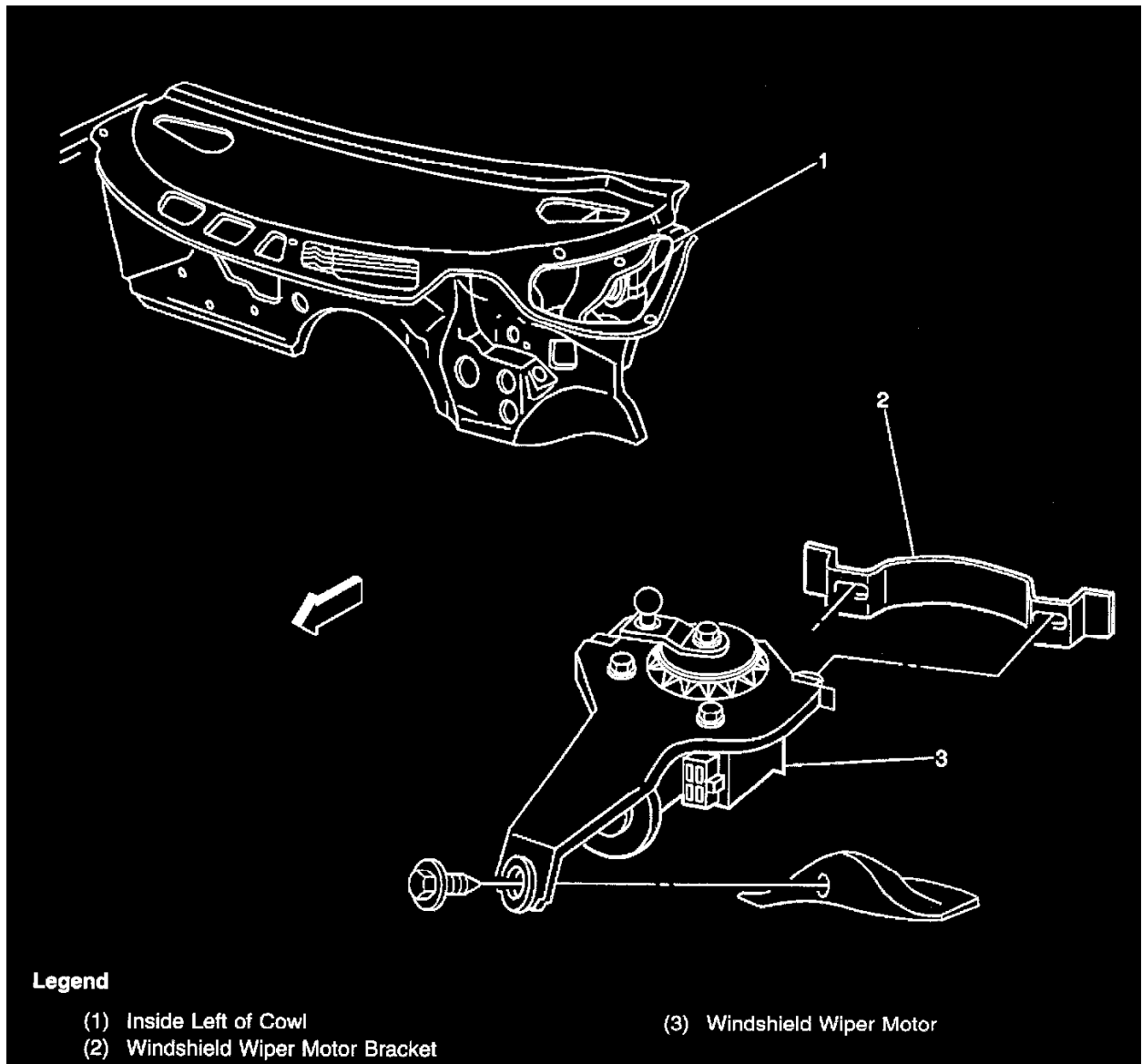
Legend

- (1) Engine Mount Bracket
- (2) A/C Compressor
- (3) Battery Cable
- (4) Starter Motor
- (5) Starter Solenoid

Locations View - Lower Right Side Of Engine (V8 VIN G)

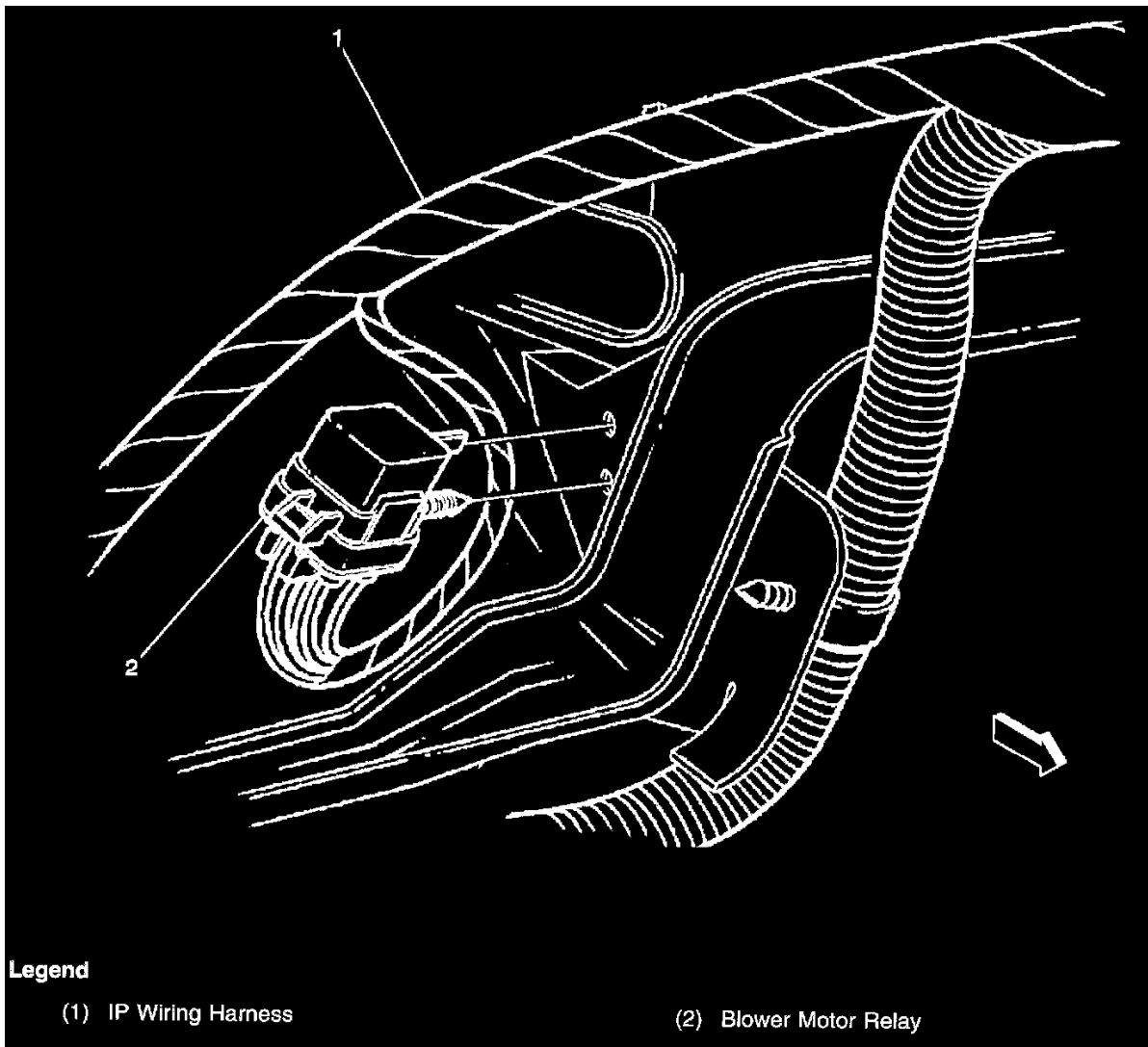
On the bottom right side of the engine.

Windshield Wiper Motor

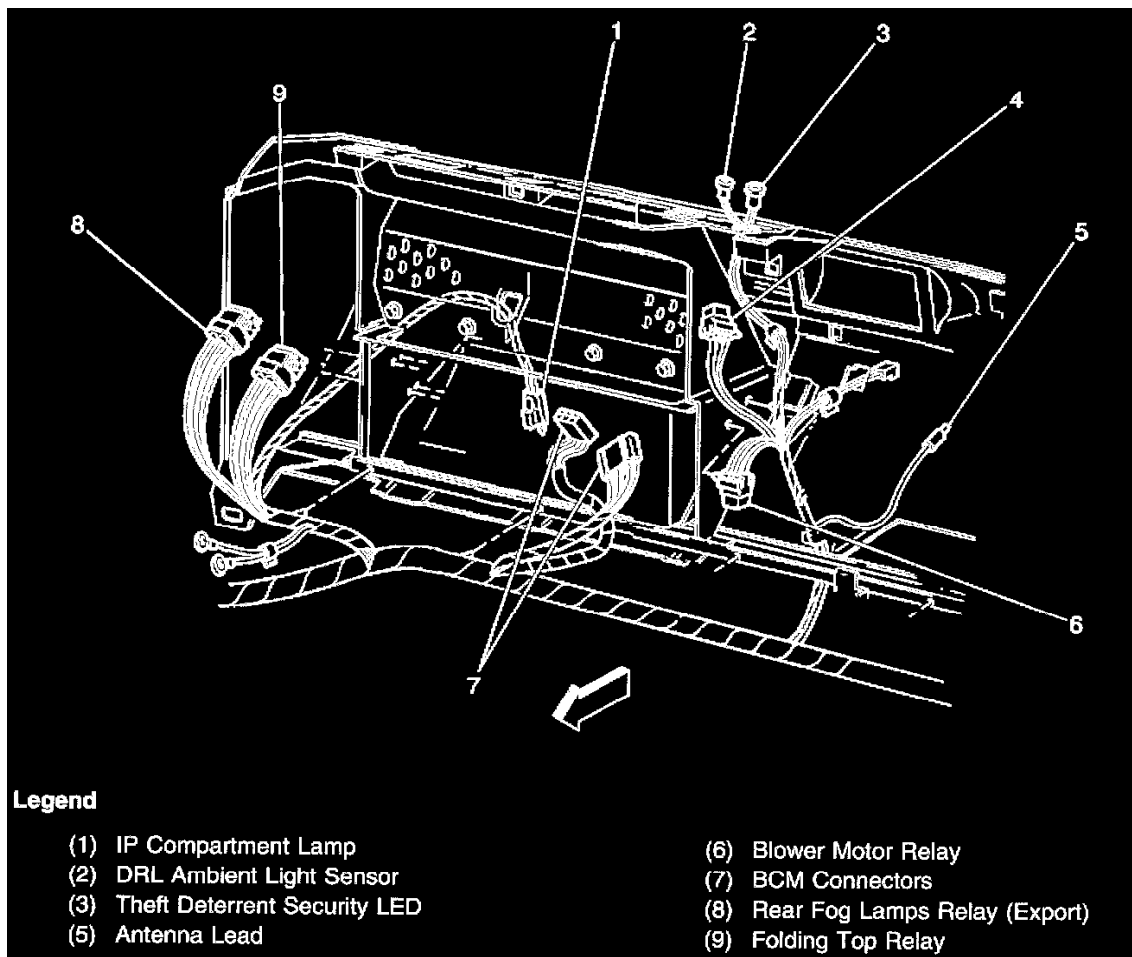


Locations View

Below the left side of cowl, near the left windshield wiper



Locations View



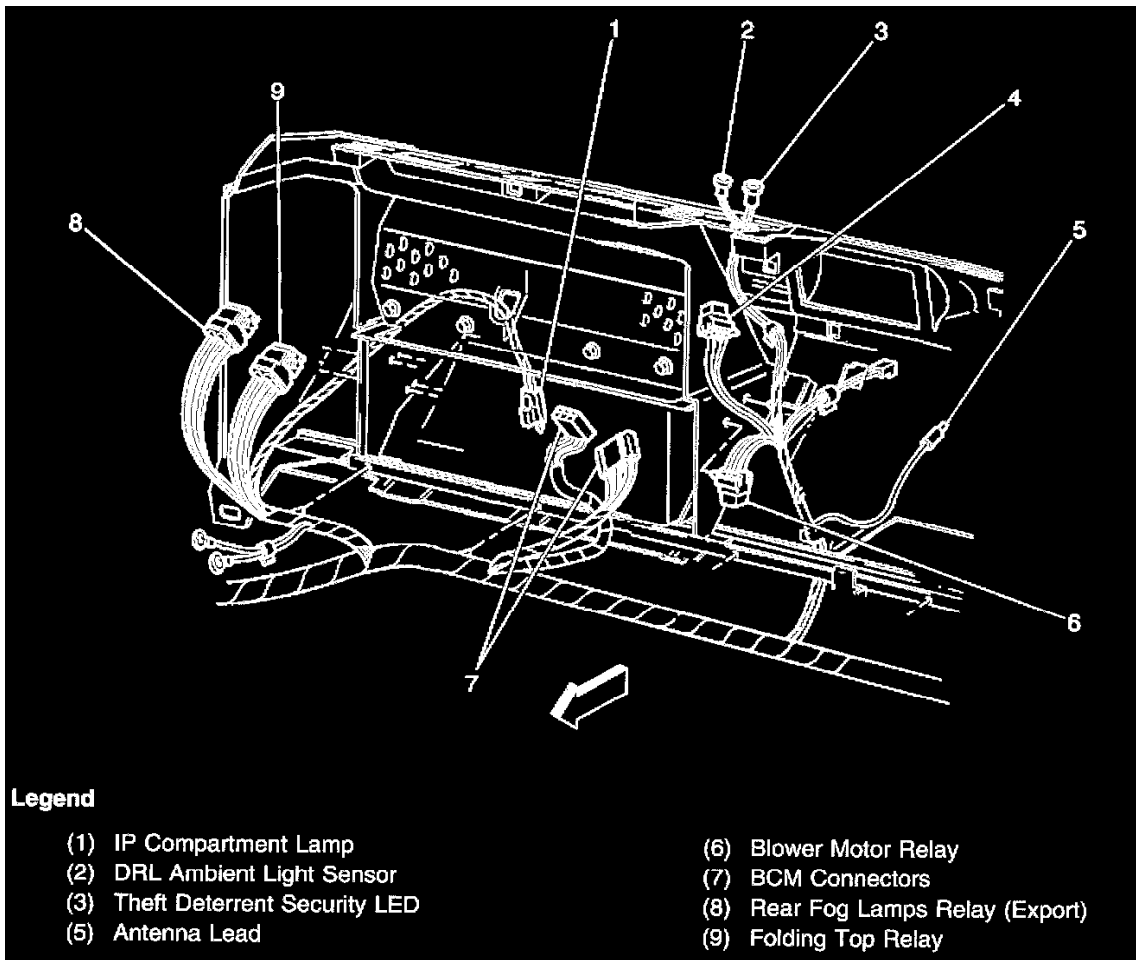
Locations View

Daytime Running Lamps (DRL) Relay (Scandinavia)

Approximately 31 cm (12 in) back from the windshield wiper motor

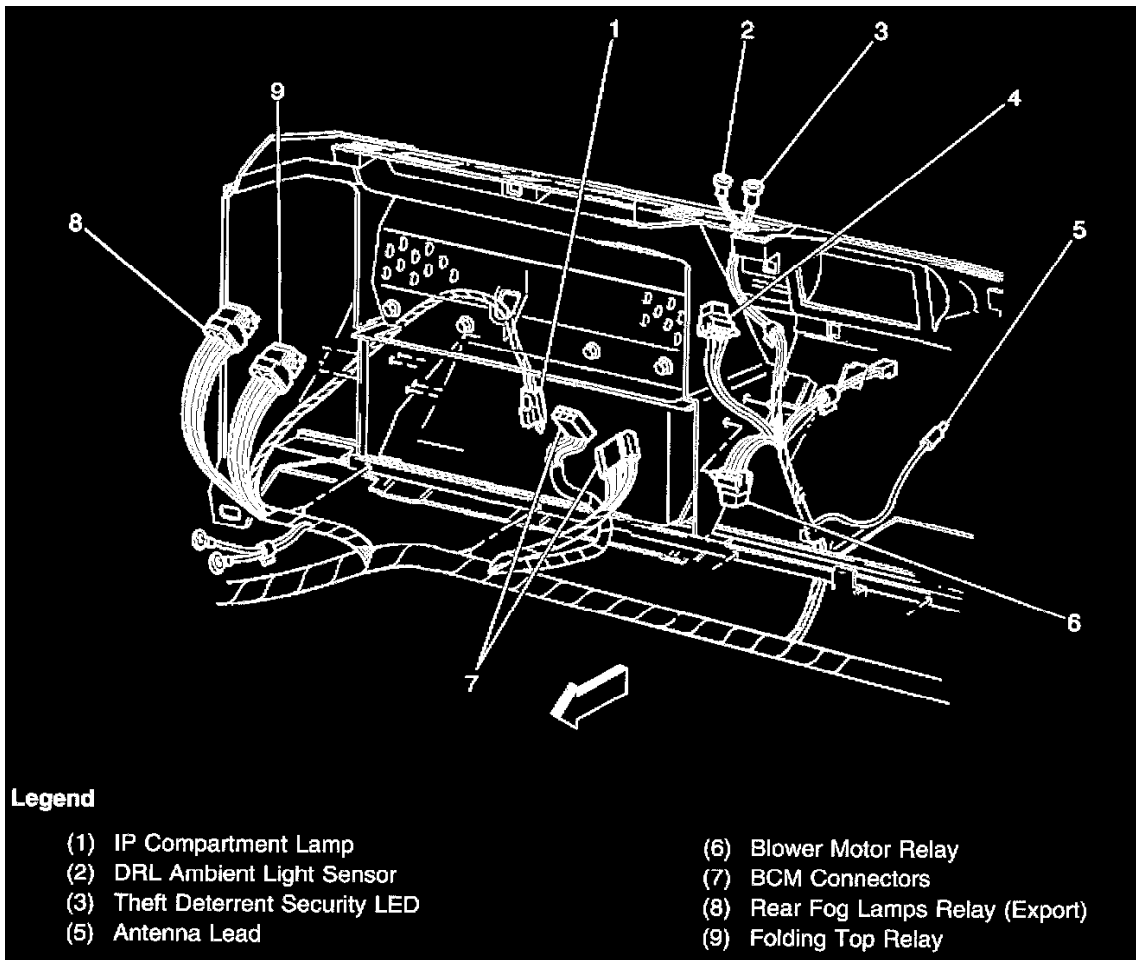
Fog Lamp Relay (Europe), Rear

Behind the IP, mounted to the right side of the inflatable restraint instrument panel module bracket



Locations View

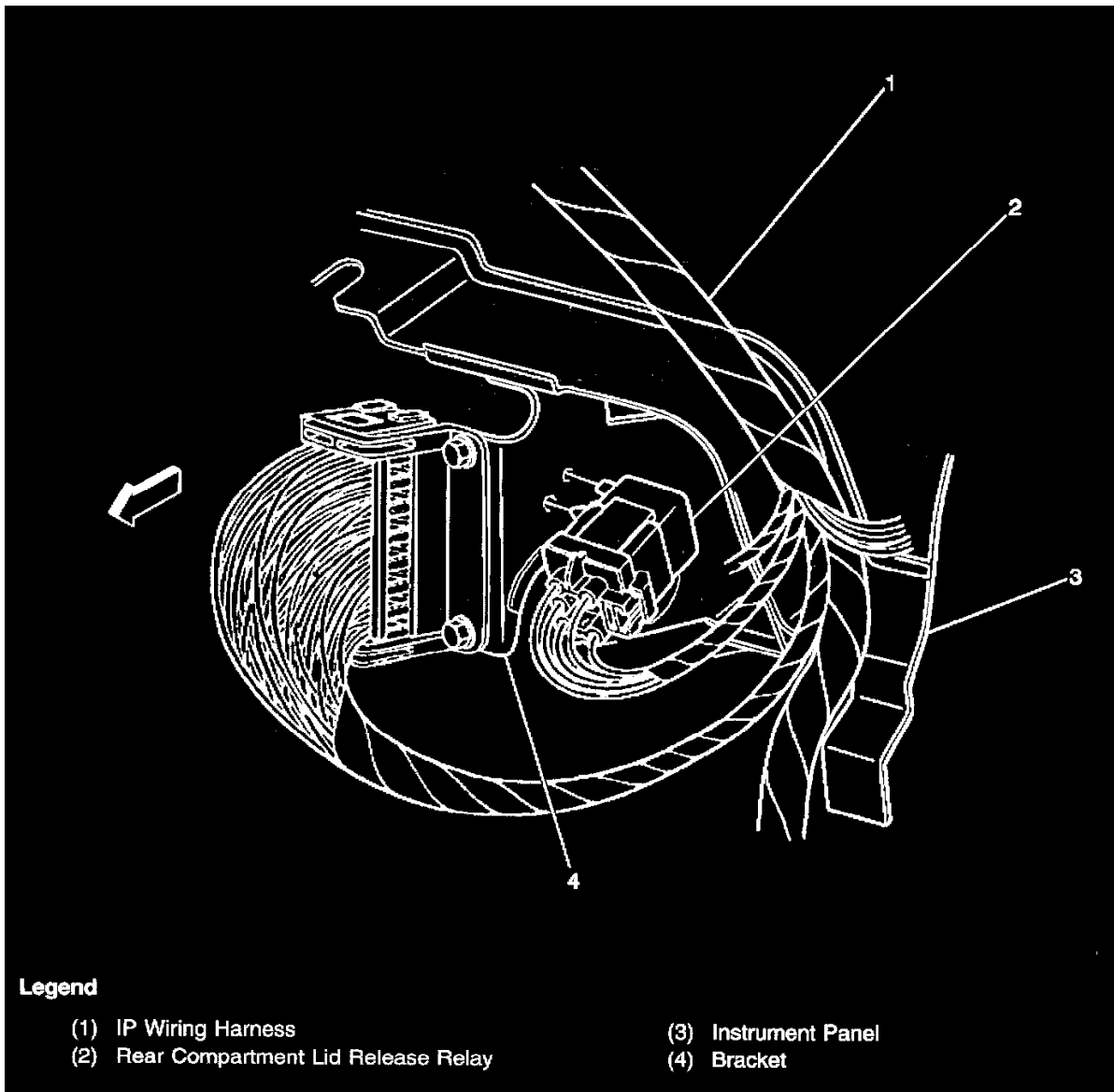
Folding Top Relay



Locations View

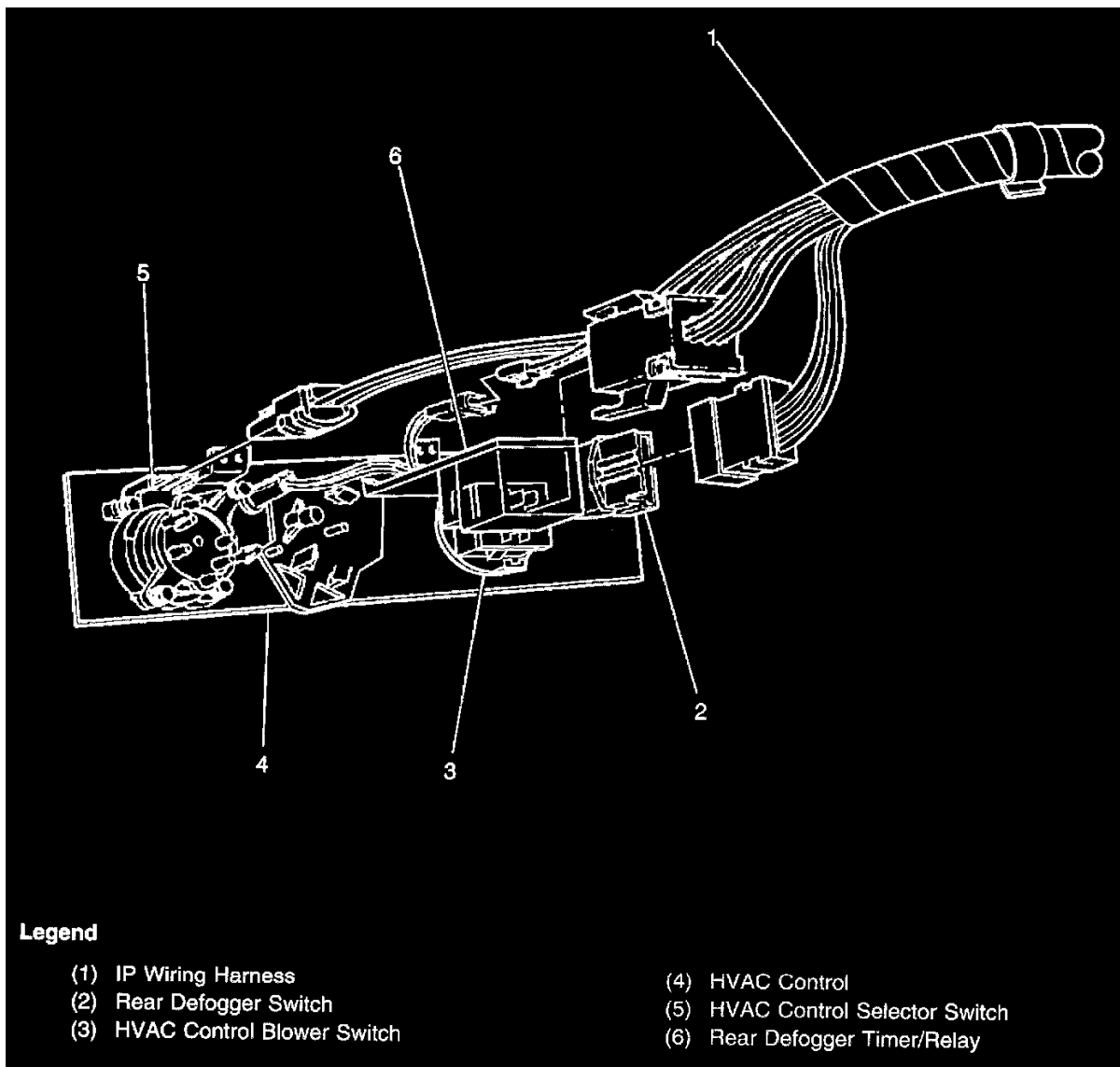
Behind the IP, mounted to the right side of the inflatable restraint instrument panel module bracket

Rear Compartment Lid Release Relay



Locations View

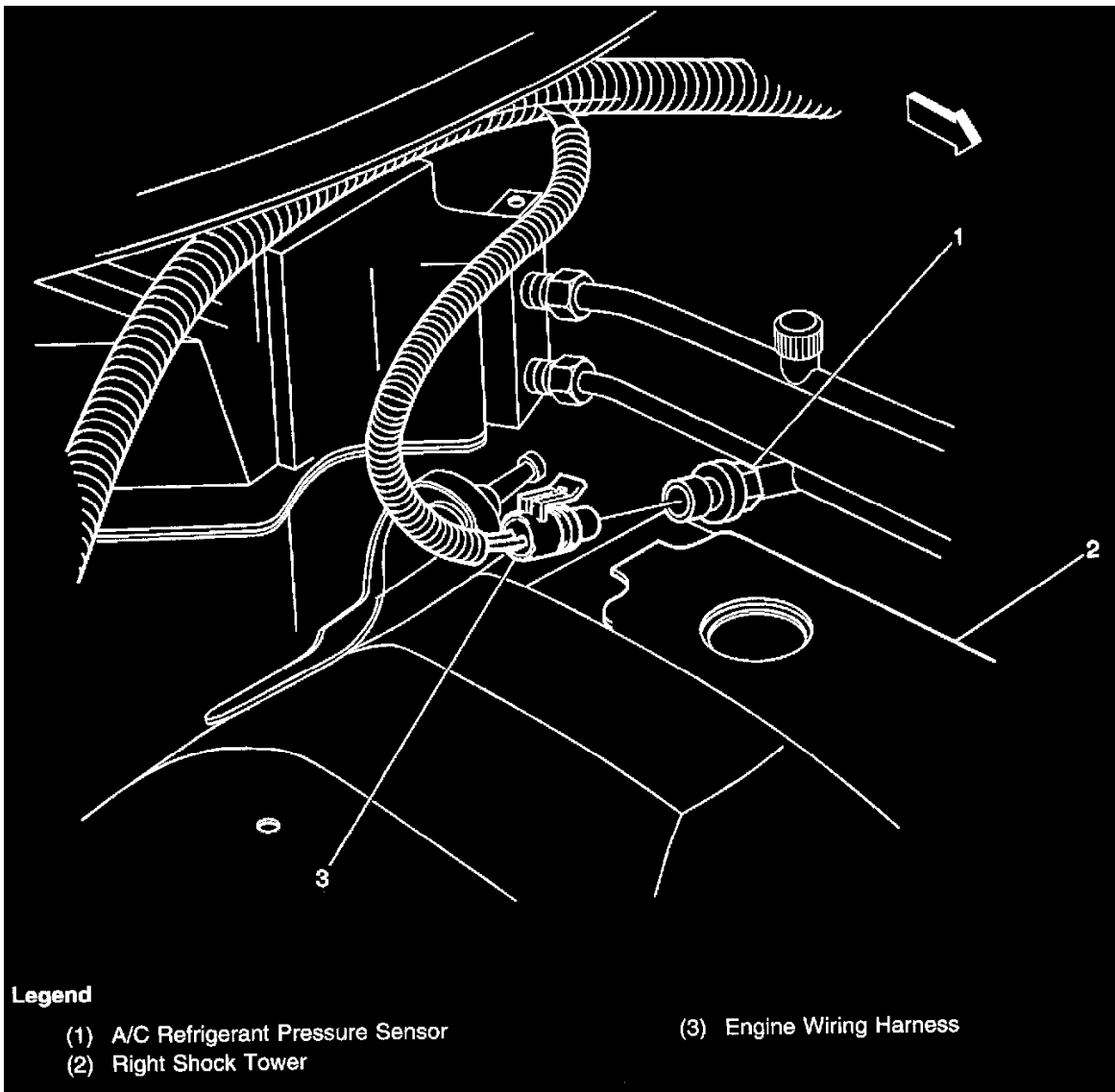
Under the left side of the IP, near C200



Locations View

Theft Deterrent Relay

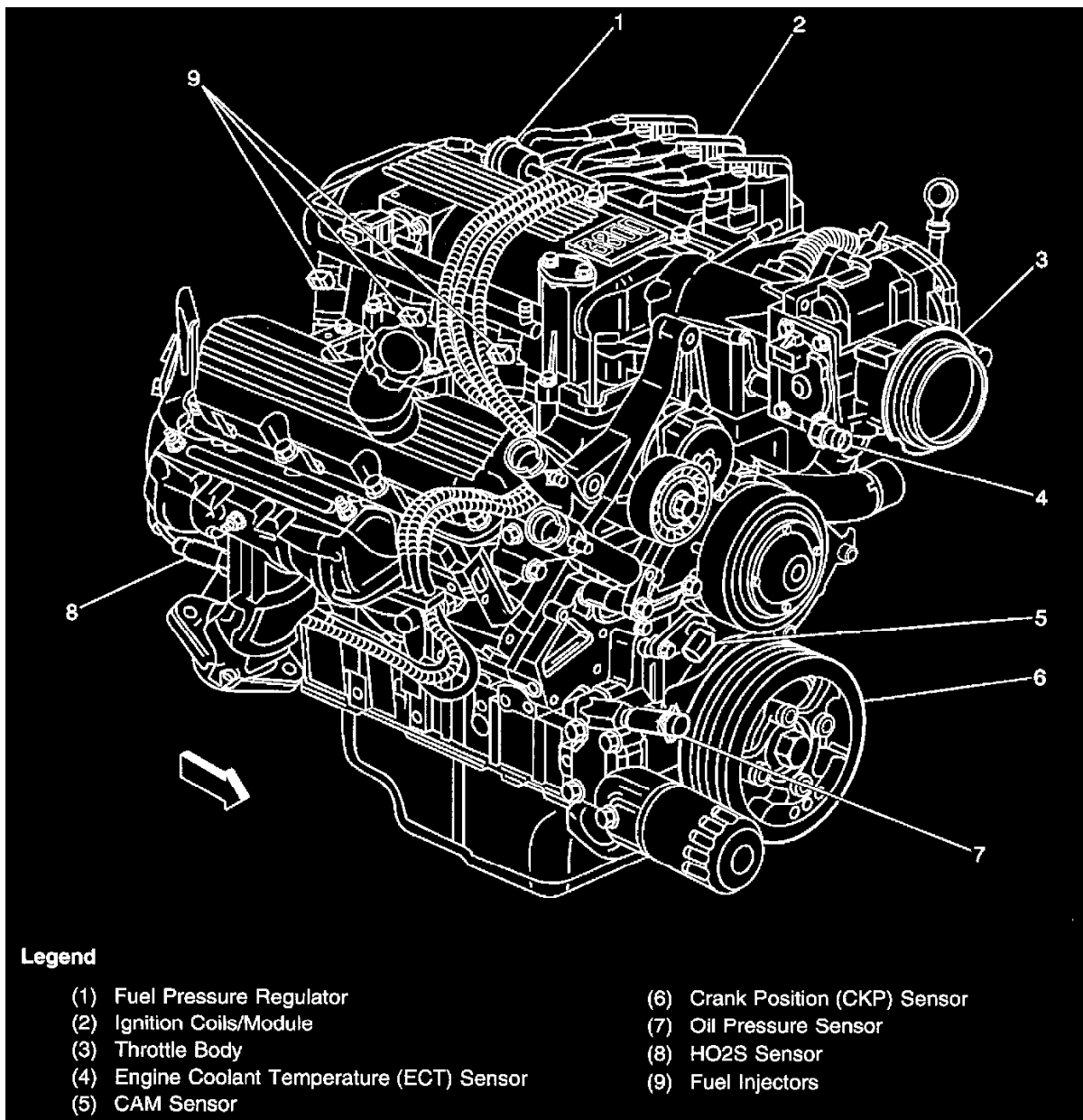
Under the IP, above the floor tunnel, attached to the inflatable restraint IP module bracket



Locations View

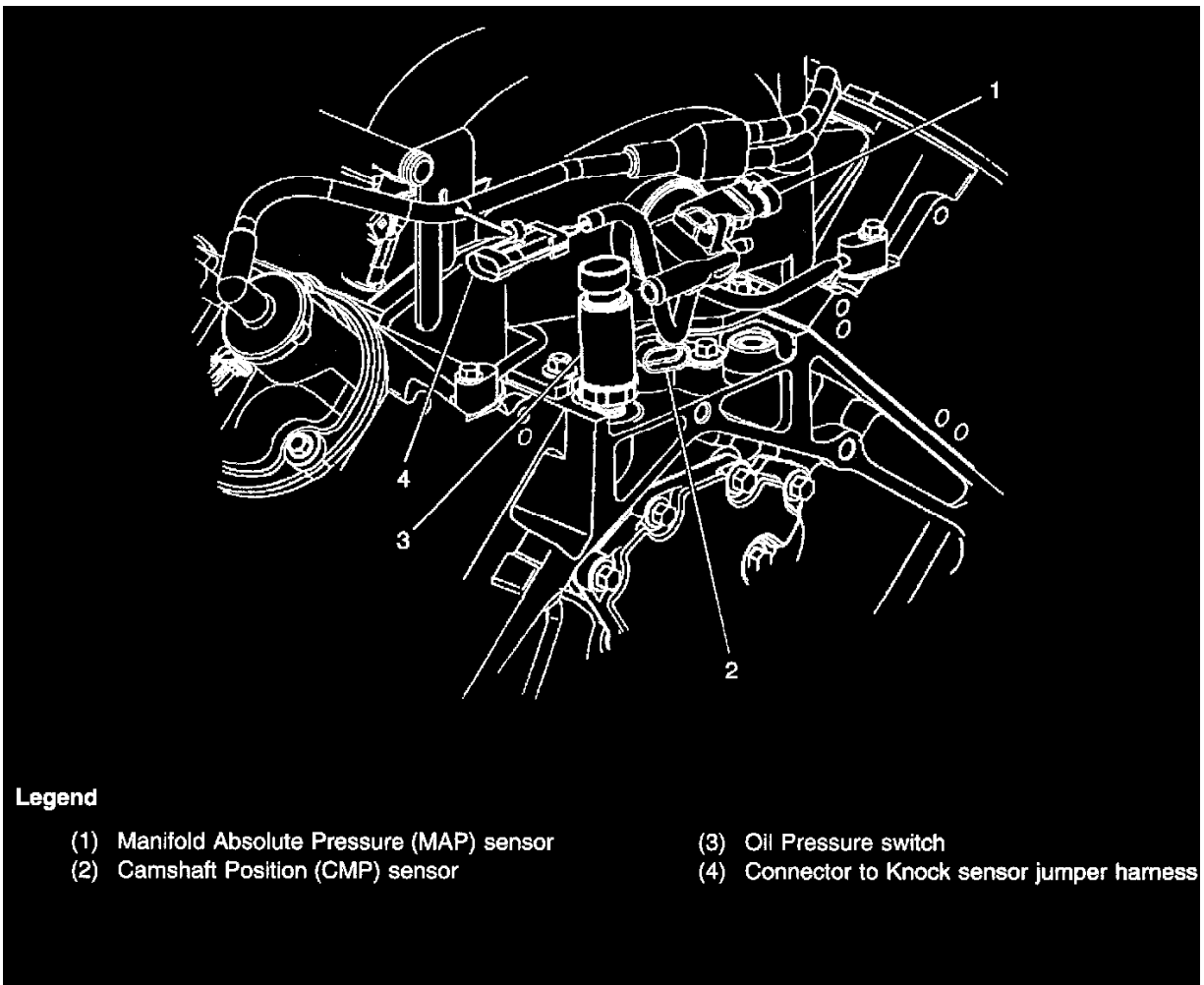
Brake Fluid Level Indicator Sensor

Part of the master cylinder



Locations View

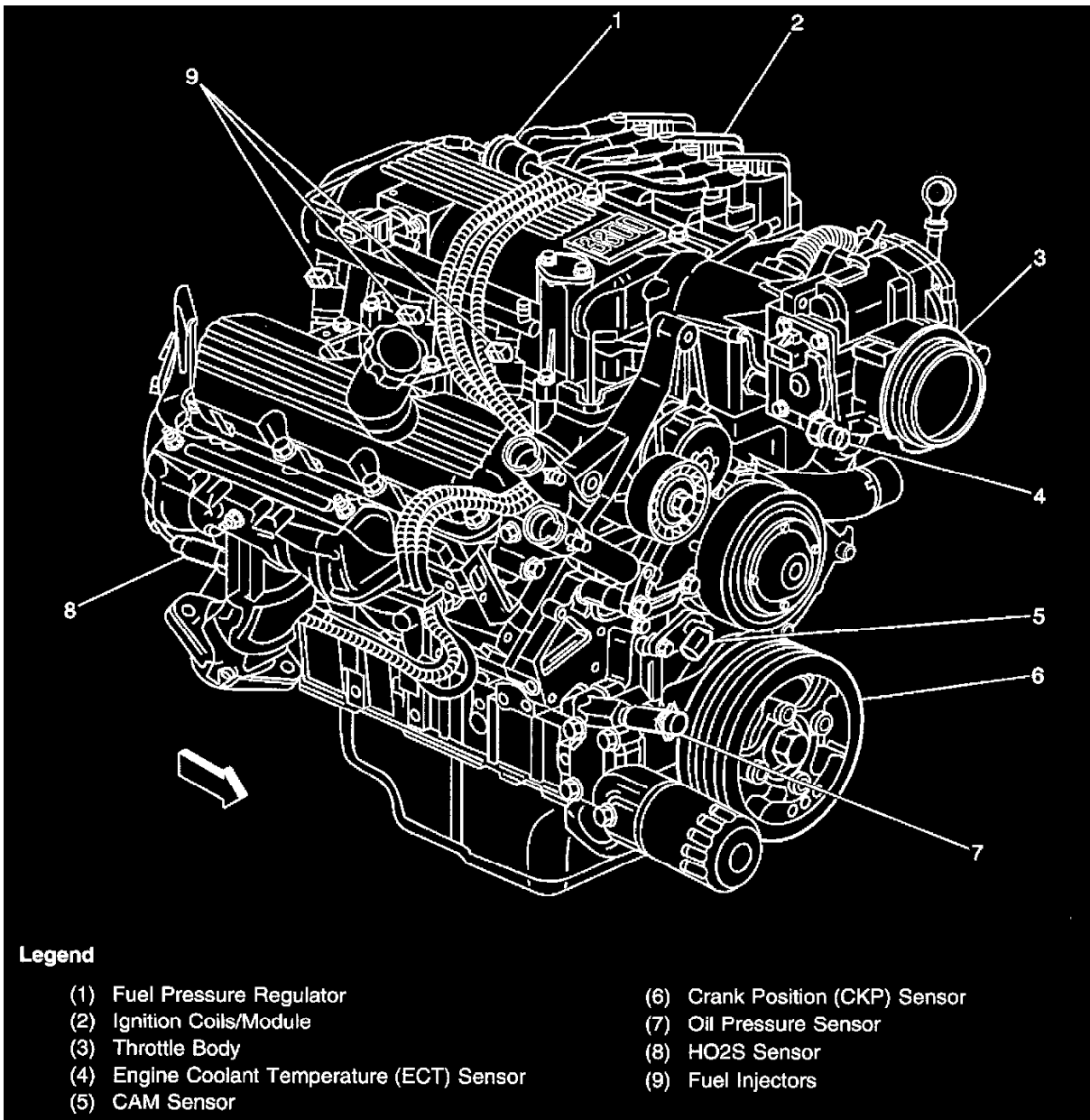
Camshaft Position (CMP) Sensor



Locations View

Mounted in the top rear center of the engine

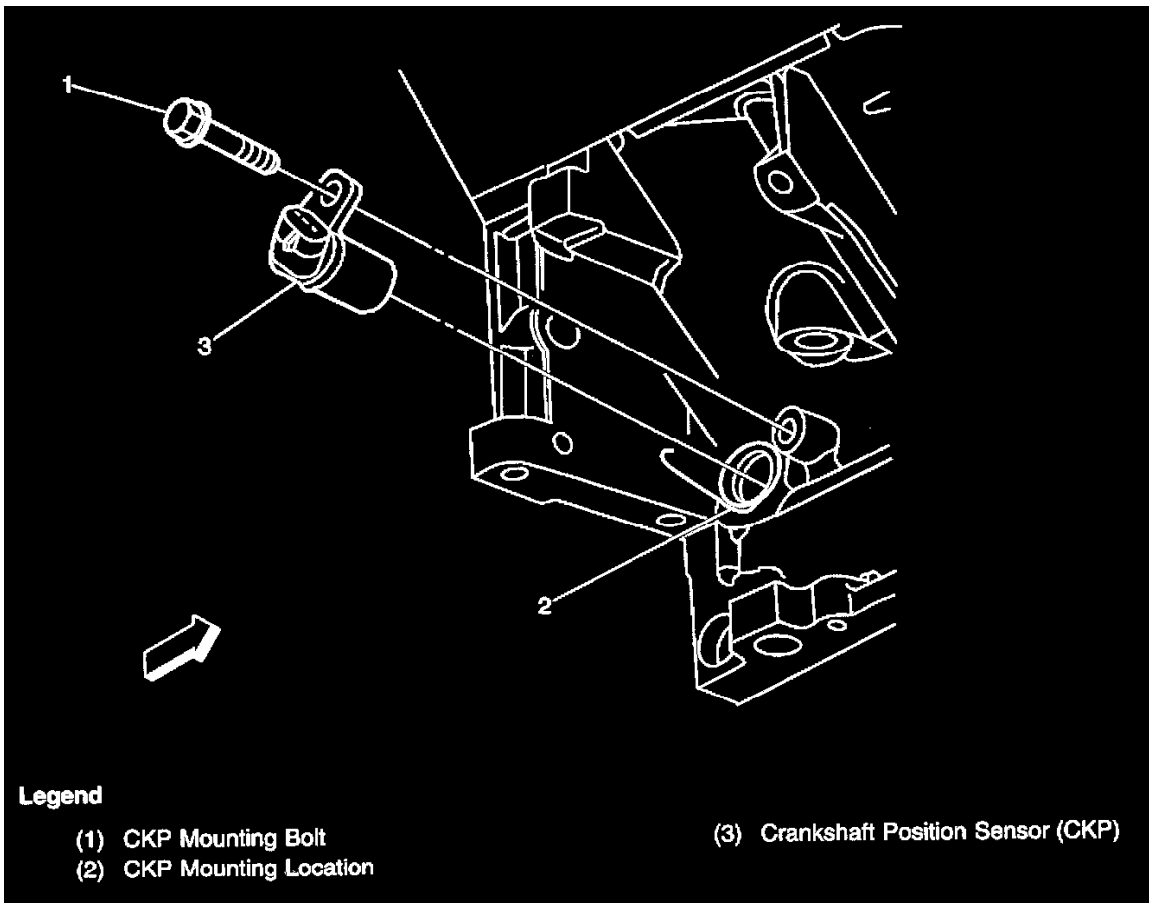
Crankshaft Position (CKP) Sensor



Legend

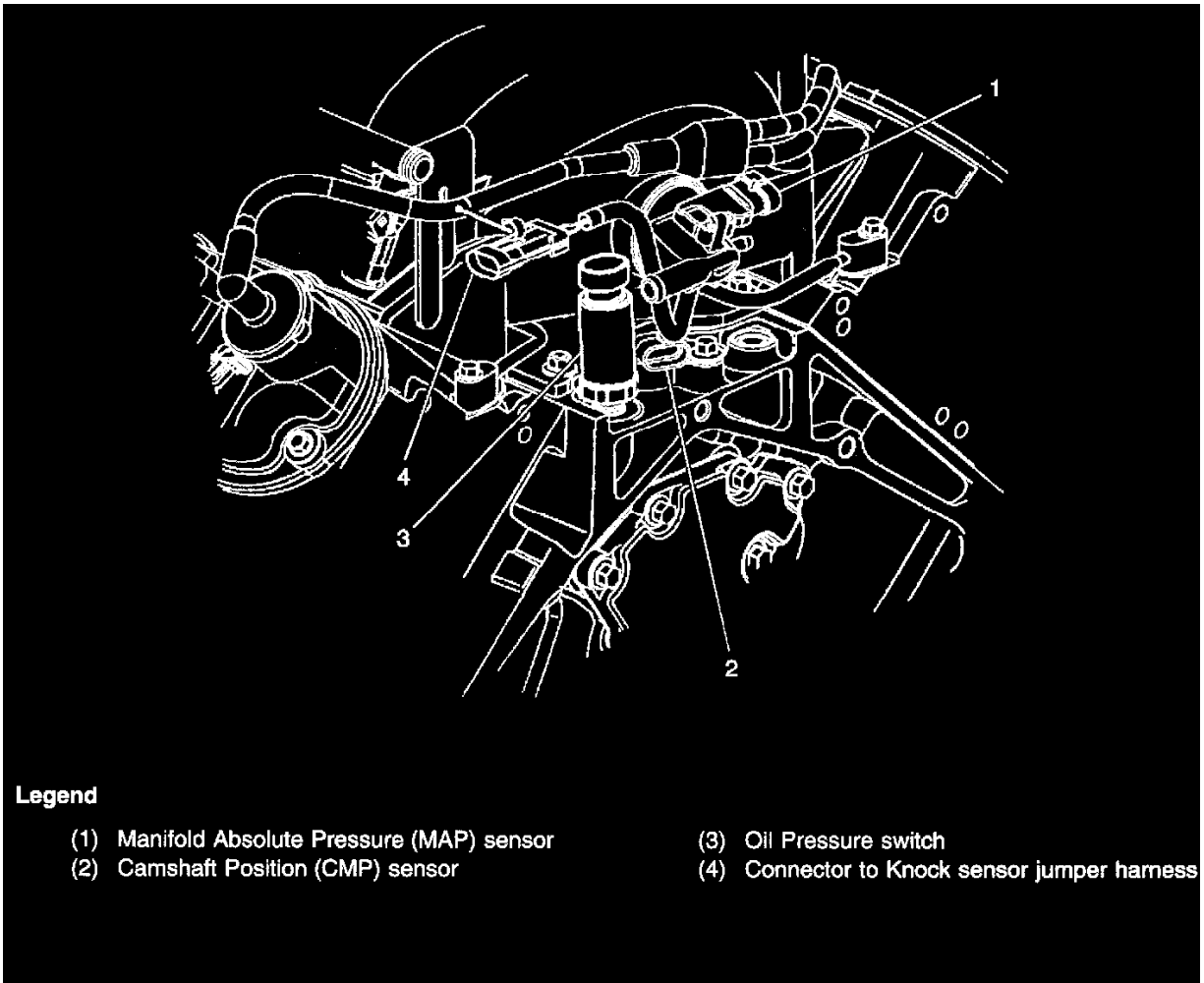
- | | |
|---|---------------------------------|
| (1) Fuel Pressure Regulator | (6) Crank Position (CKP) Sensor |
| (2) Ignition Coils/Module | (7) Oil Pressure Sensor |
| (3) Throttle Body | (8) HO2S Sensor |
| (4) Engine Coolant Temperature (ECT) Sensor | (9) Fuel Injectors |
| (5) CAM Sensor | |

Locations View



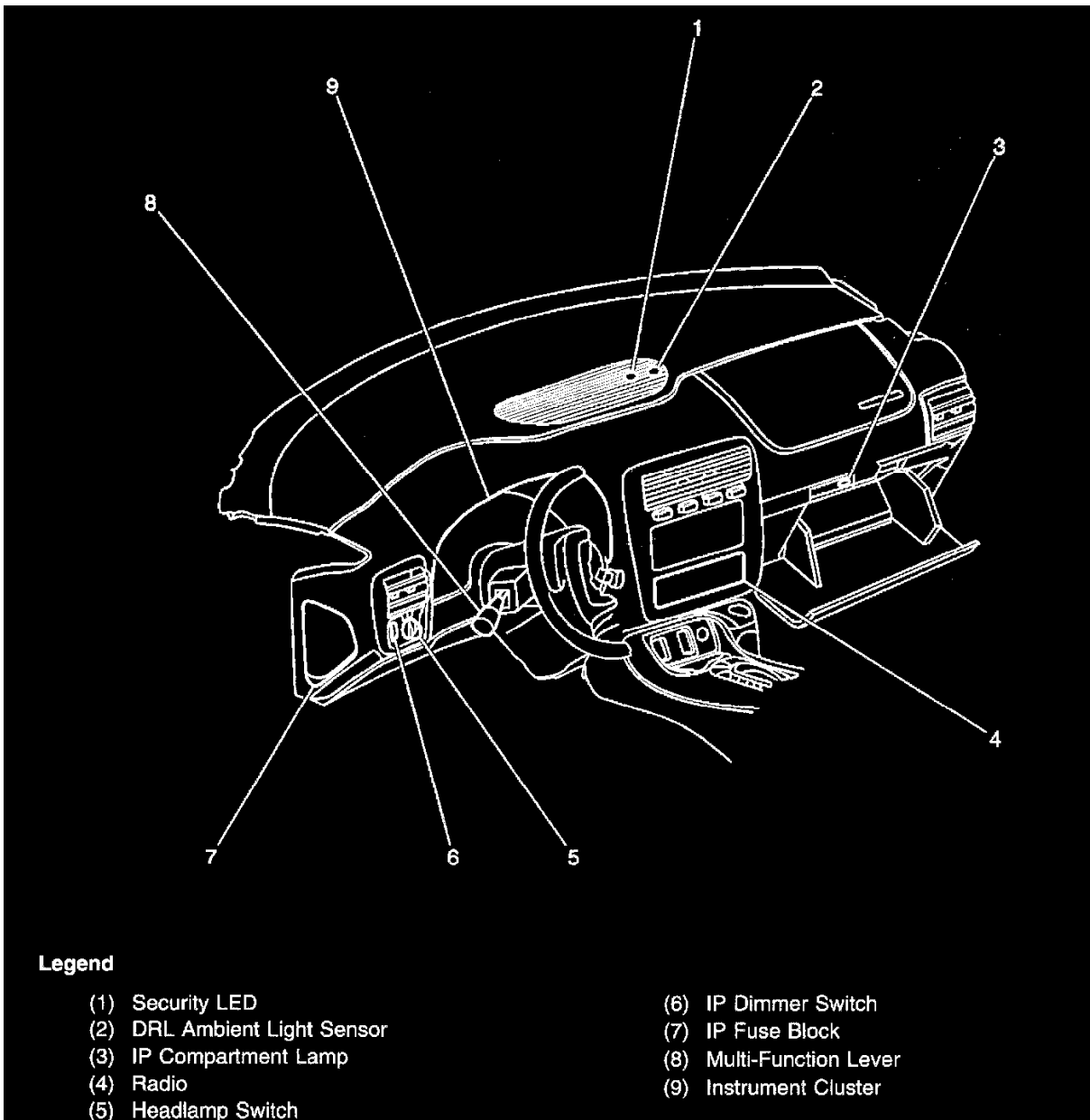
Locations Vie

In the lower front of the engine

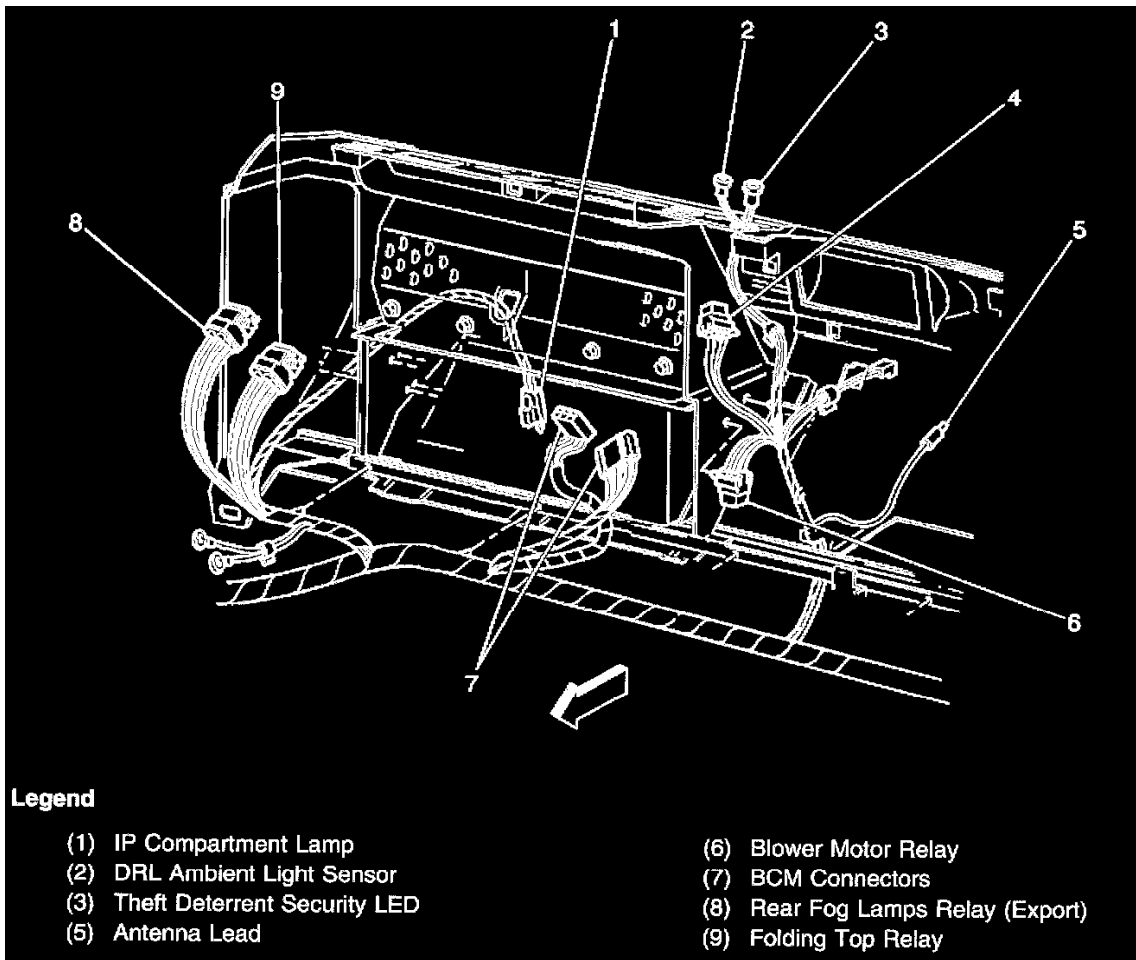


Locations View

Daytime Running Lamp (DRL) Ambient Light Sensor



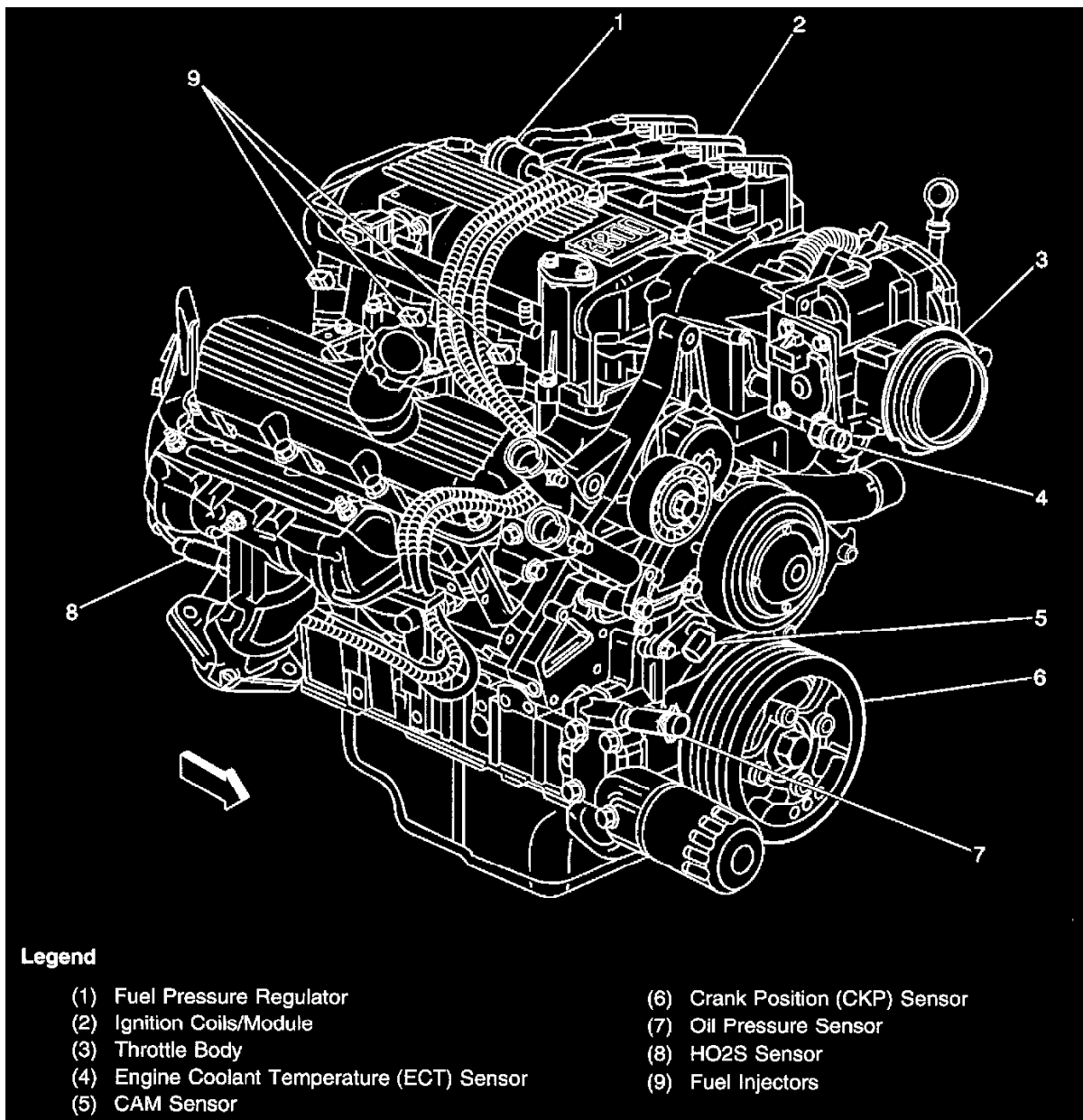
Locations View



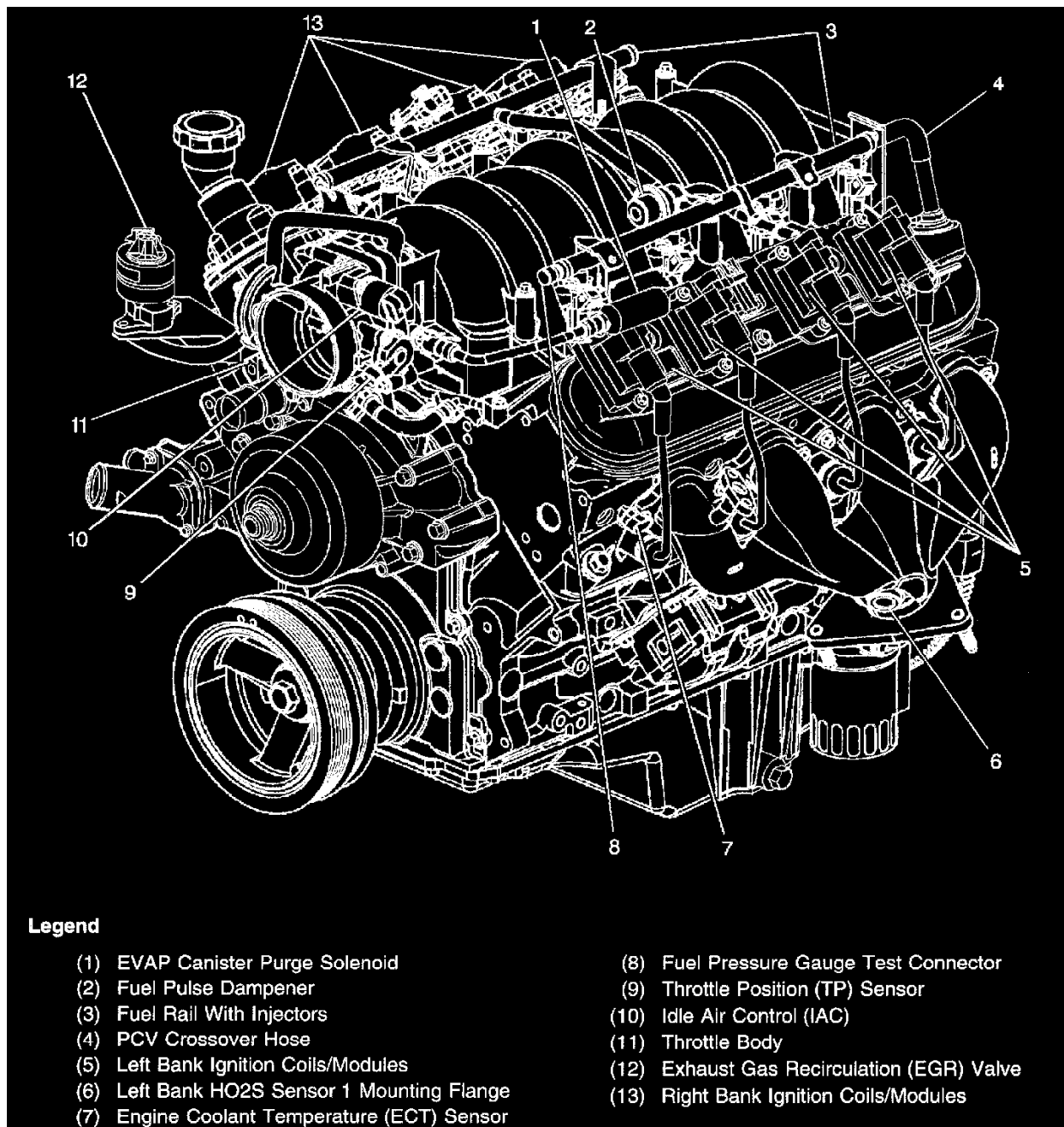
Locations View

Mounted in the top of the IP, near the defrost grill

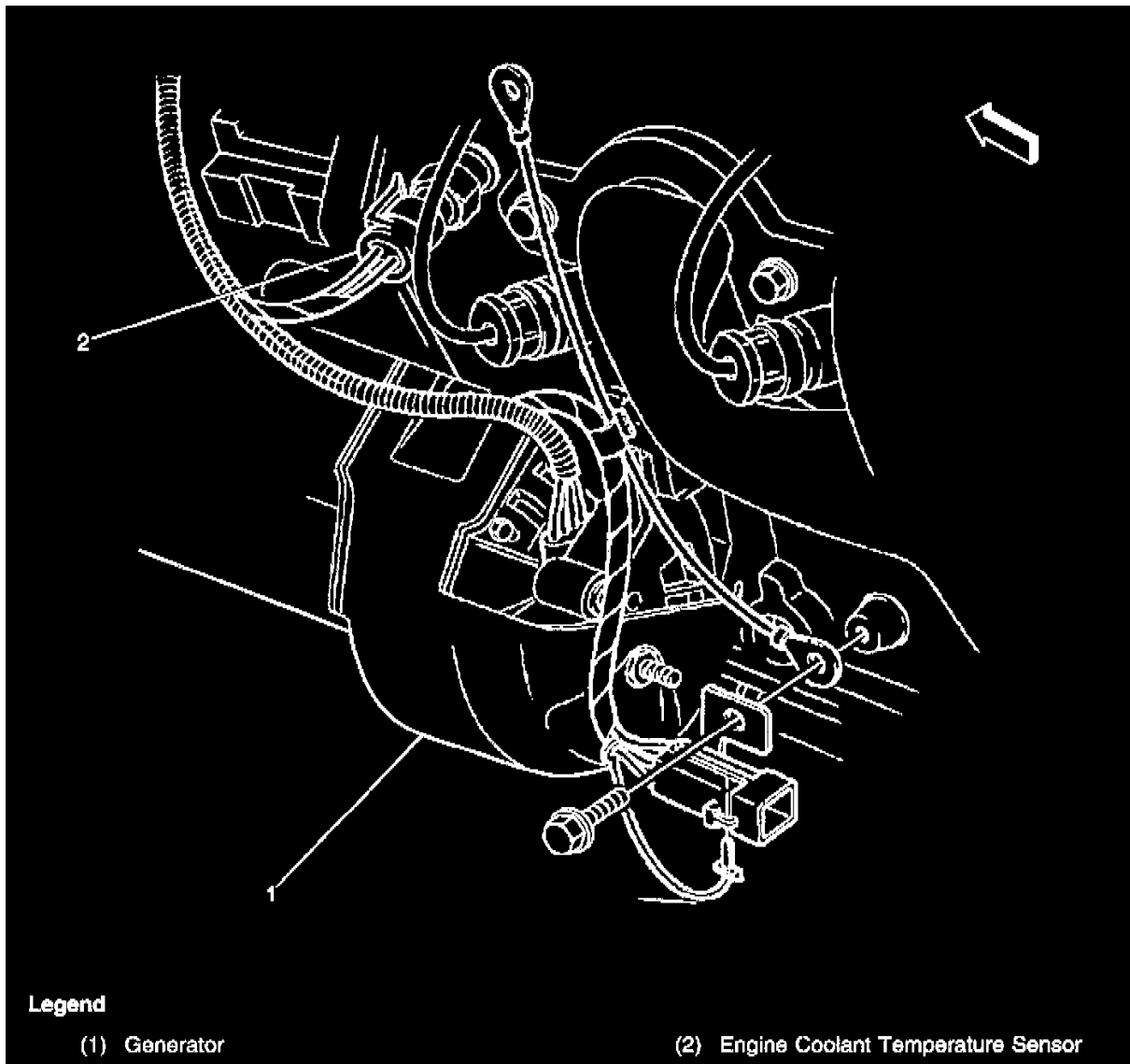
Engine Coolant Temperature (ECT) Sensor



Locations View

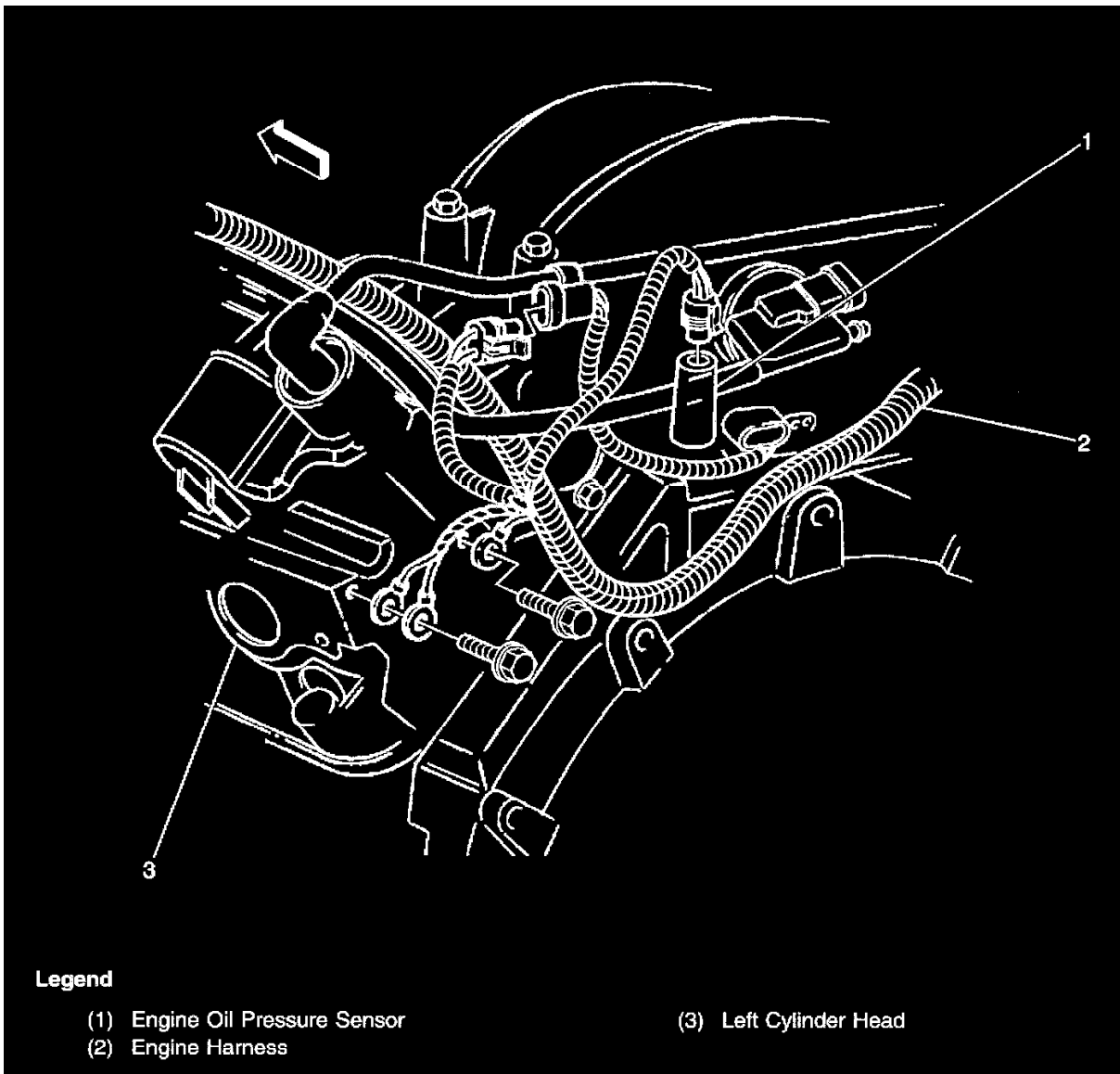


Locations View

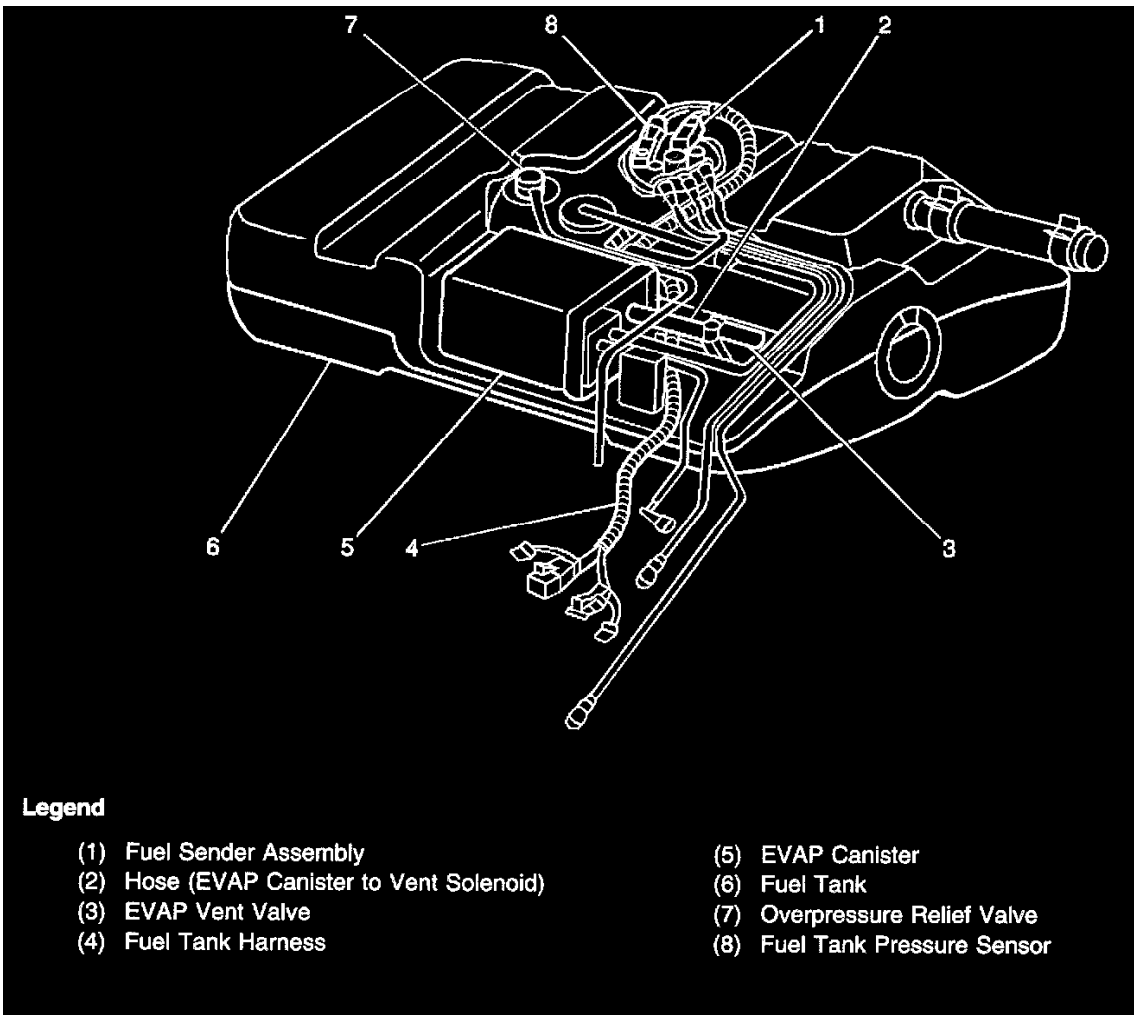


Locations View

On the lower left side of the engine, above the generator



Locations View

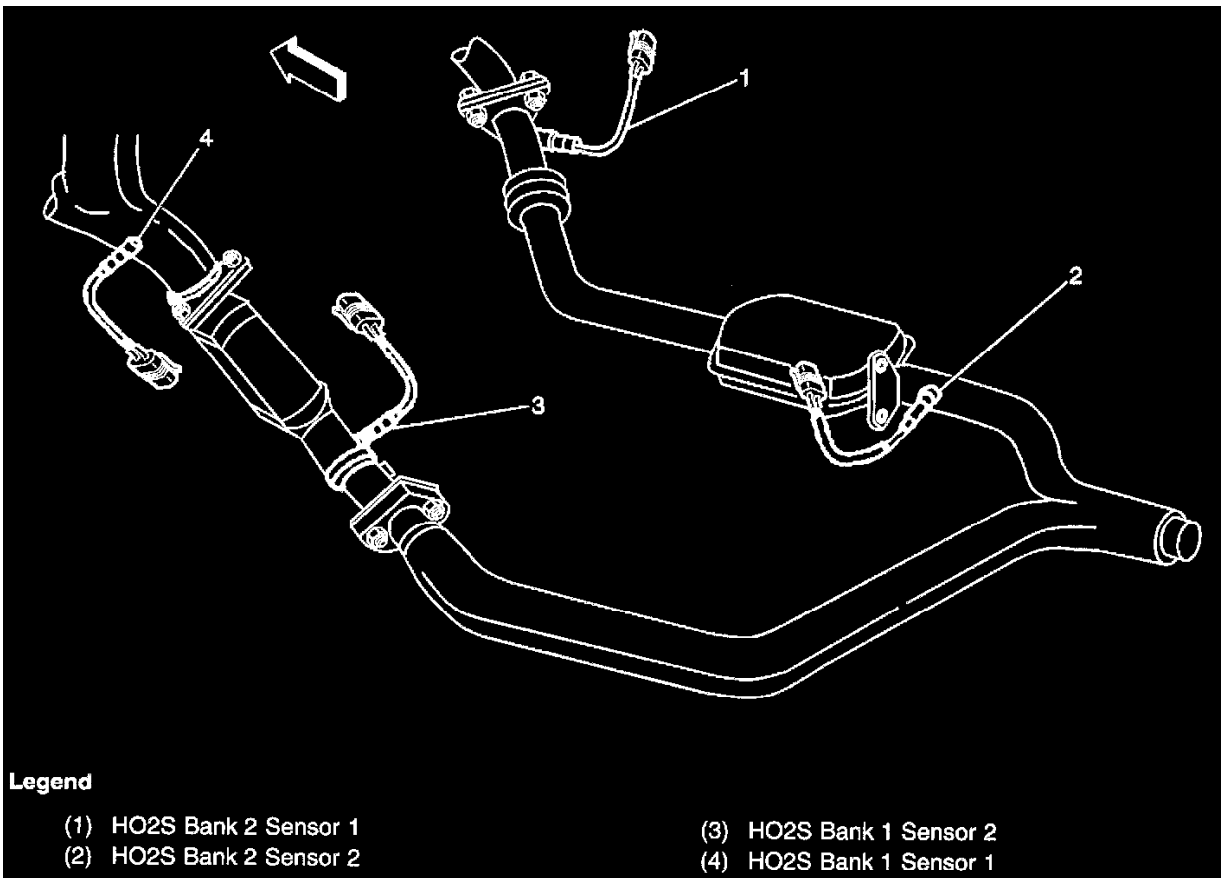


Locations View

Heated Oxygen Sensor Bank 1, Sensor 1

Mounted in the left exhaust manifold

Heated Oxygen Sensor Bank 1, Sensor 2

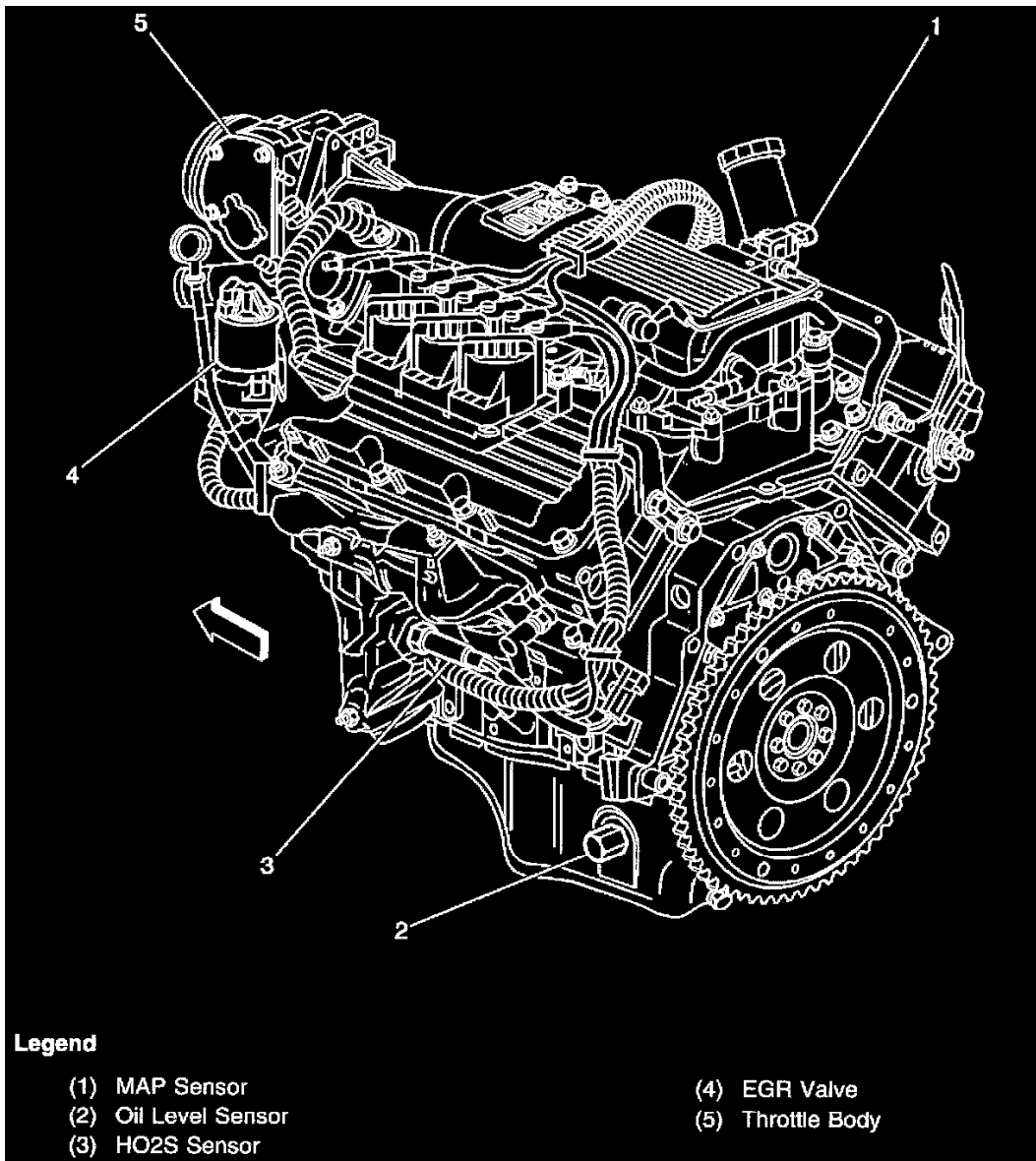


Locations View

At the rear of the left catalytic converter

Heated Oxygen Sensor Bank 2 Sensor 1

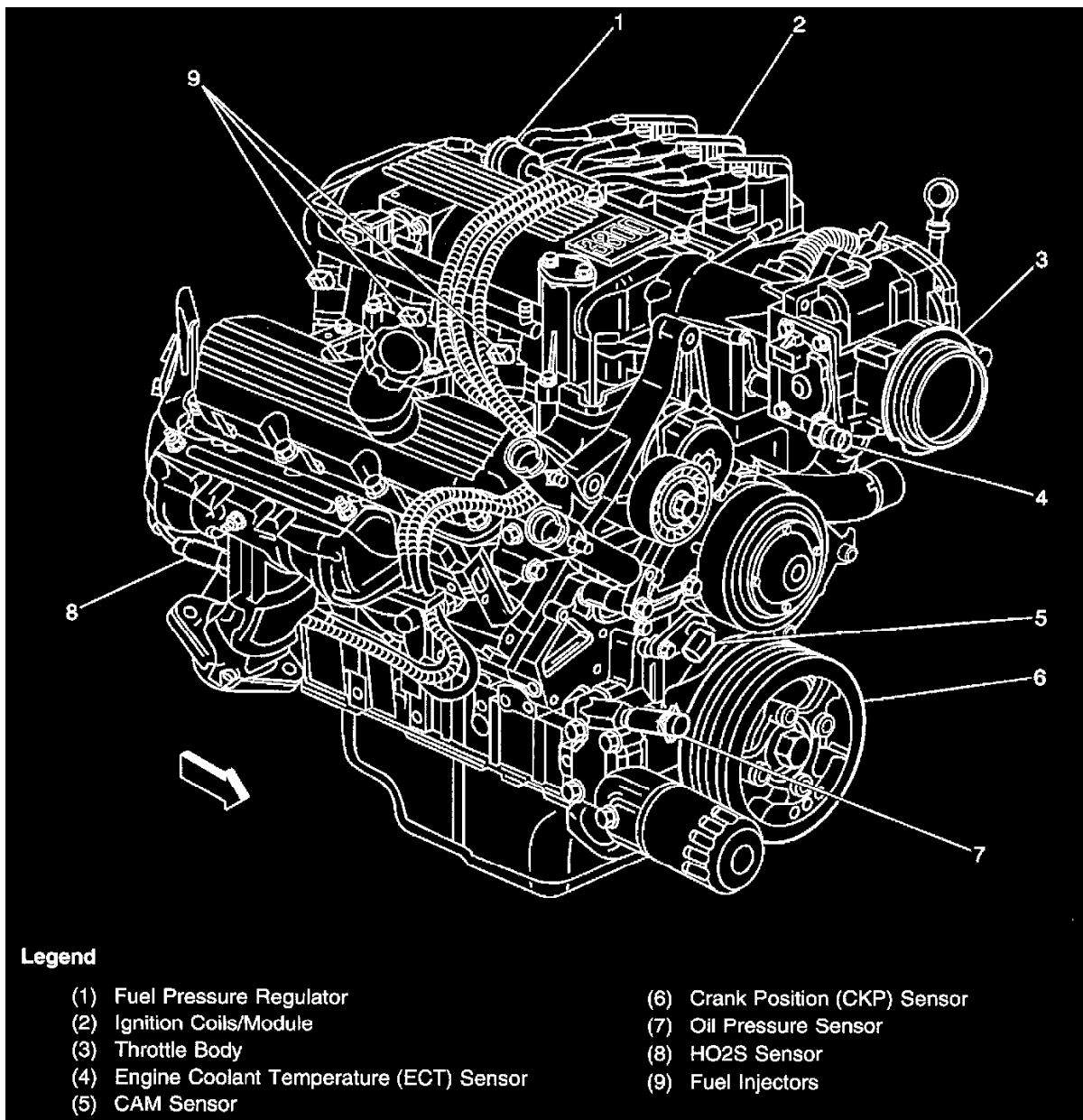
Mounted in the right exhaust manifold



Legend

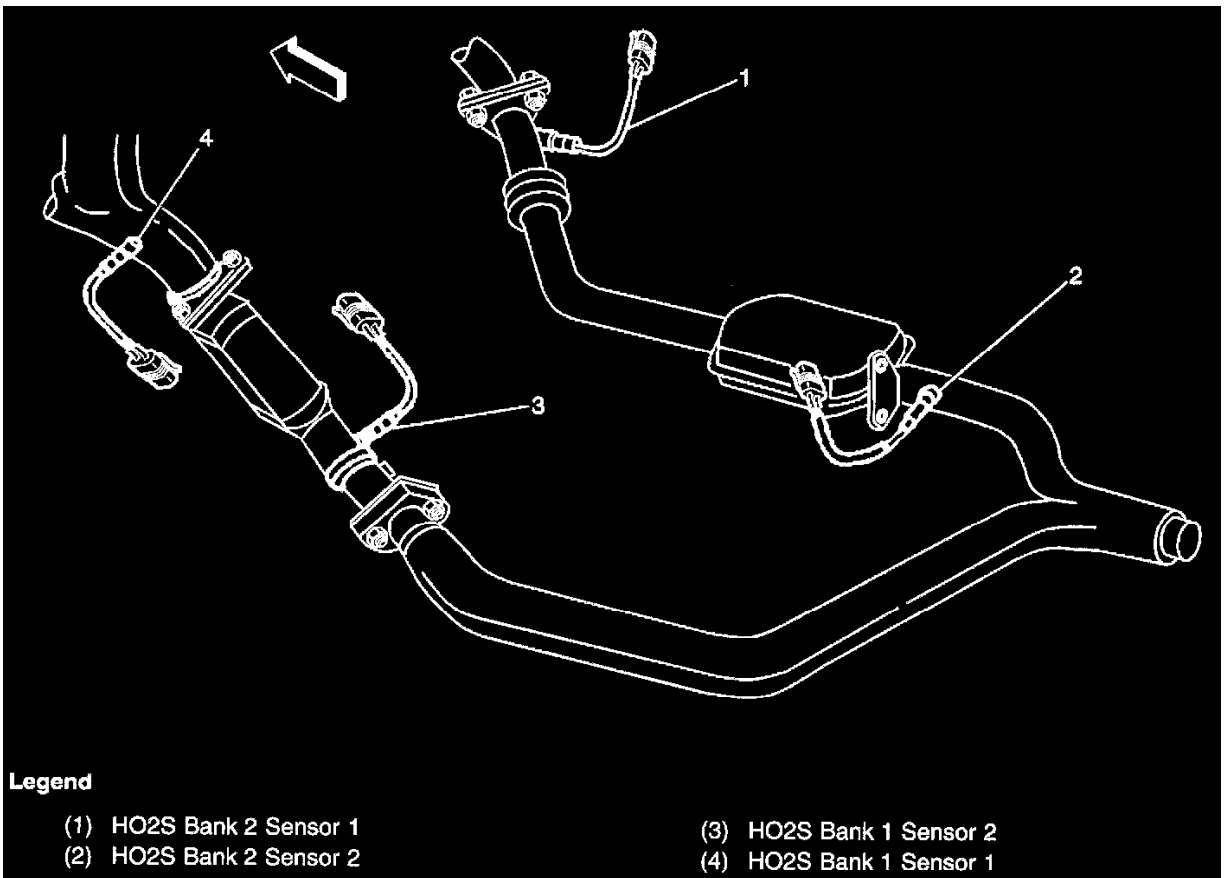
- | | |
|----------------------|-------------------|
| (1) MAP Sensor | (4) EGR Valve |
| (2) Oil Level Sensor | (5) Throttle Body |
| (3) HO2S Sensor | |

Locations View



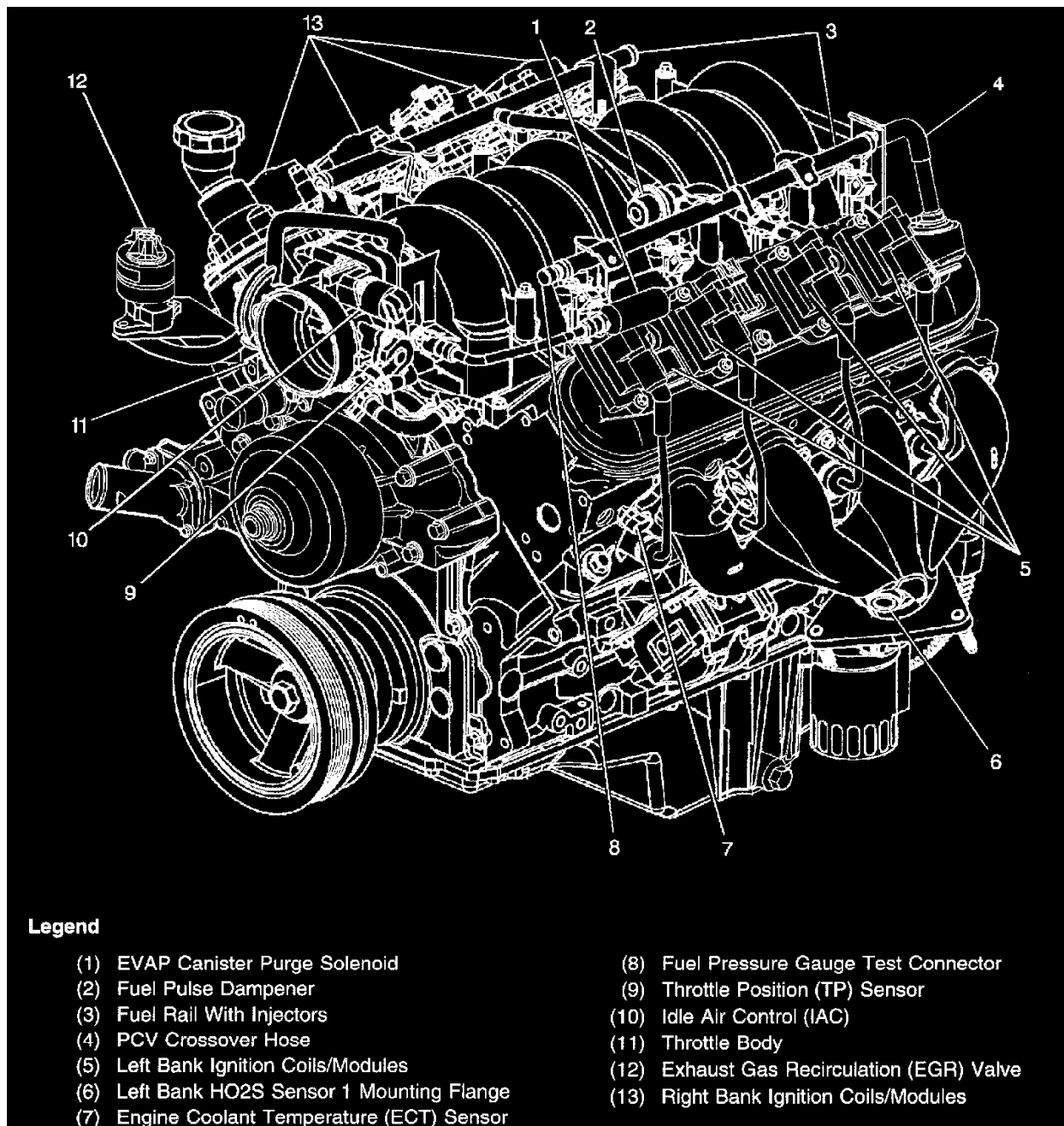
Locations View

Heated Oxygen sensor Bank 2, Sensor 2



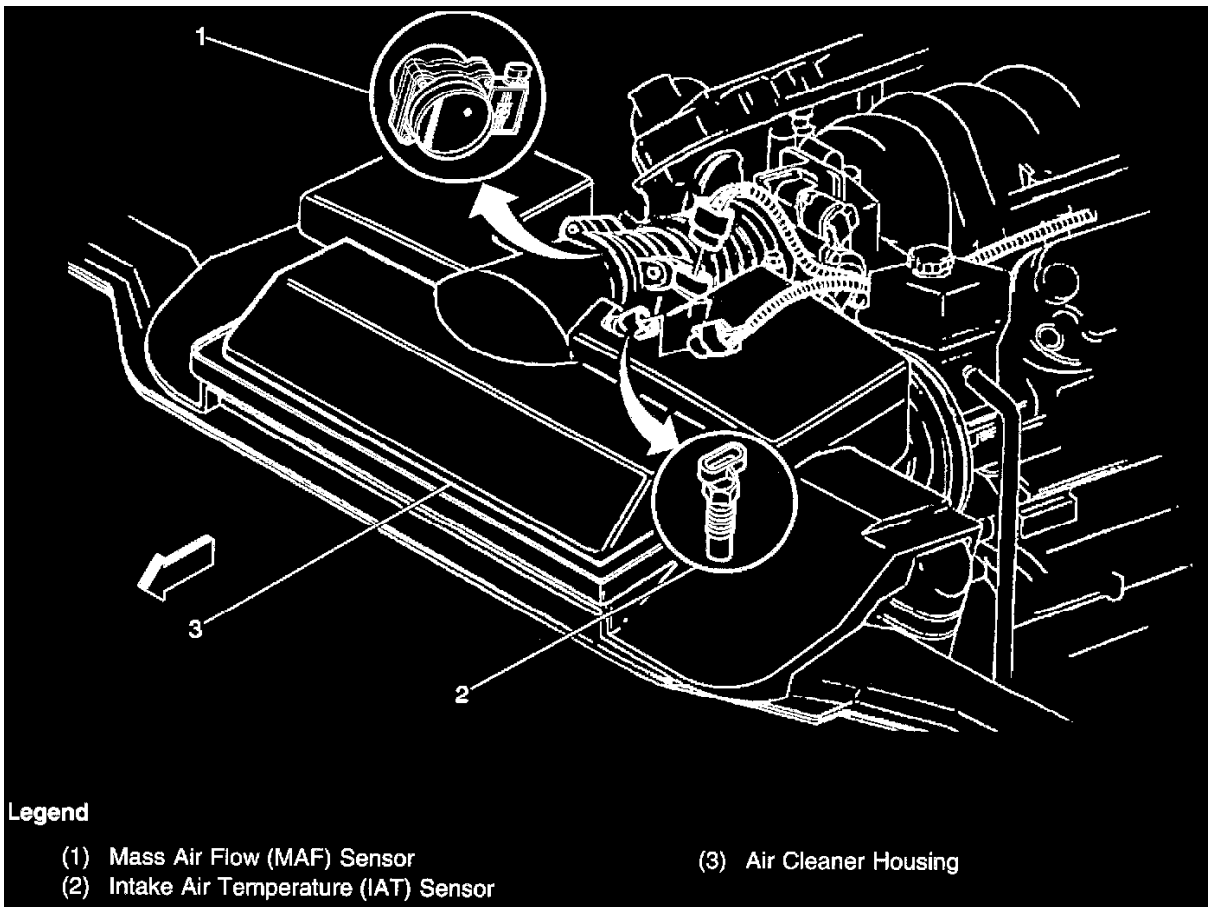
Locations View

At the rear of the right catalytic converter

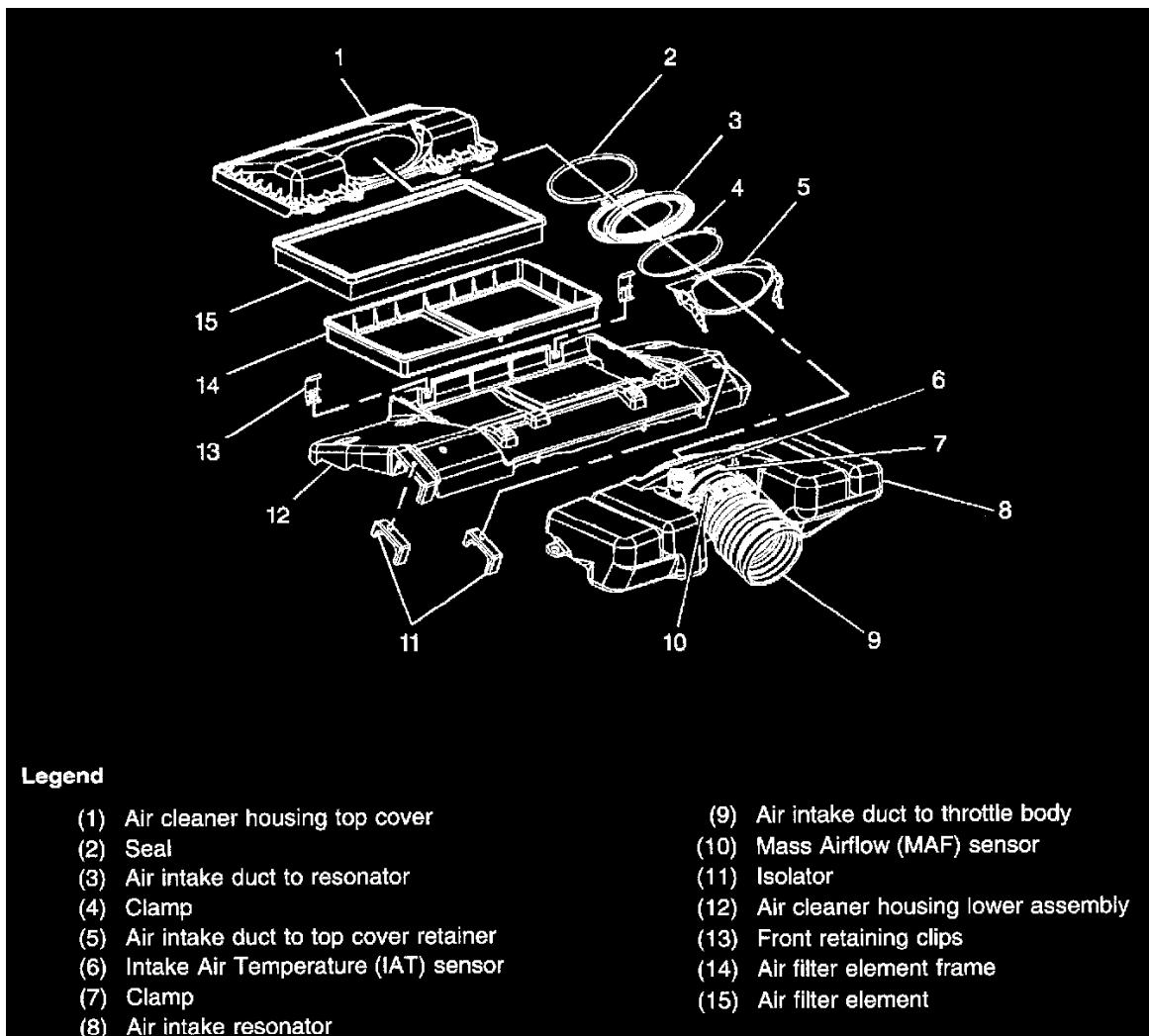


Locations View

Intake Air Temperature (IAT) Sensor



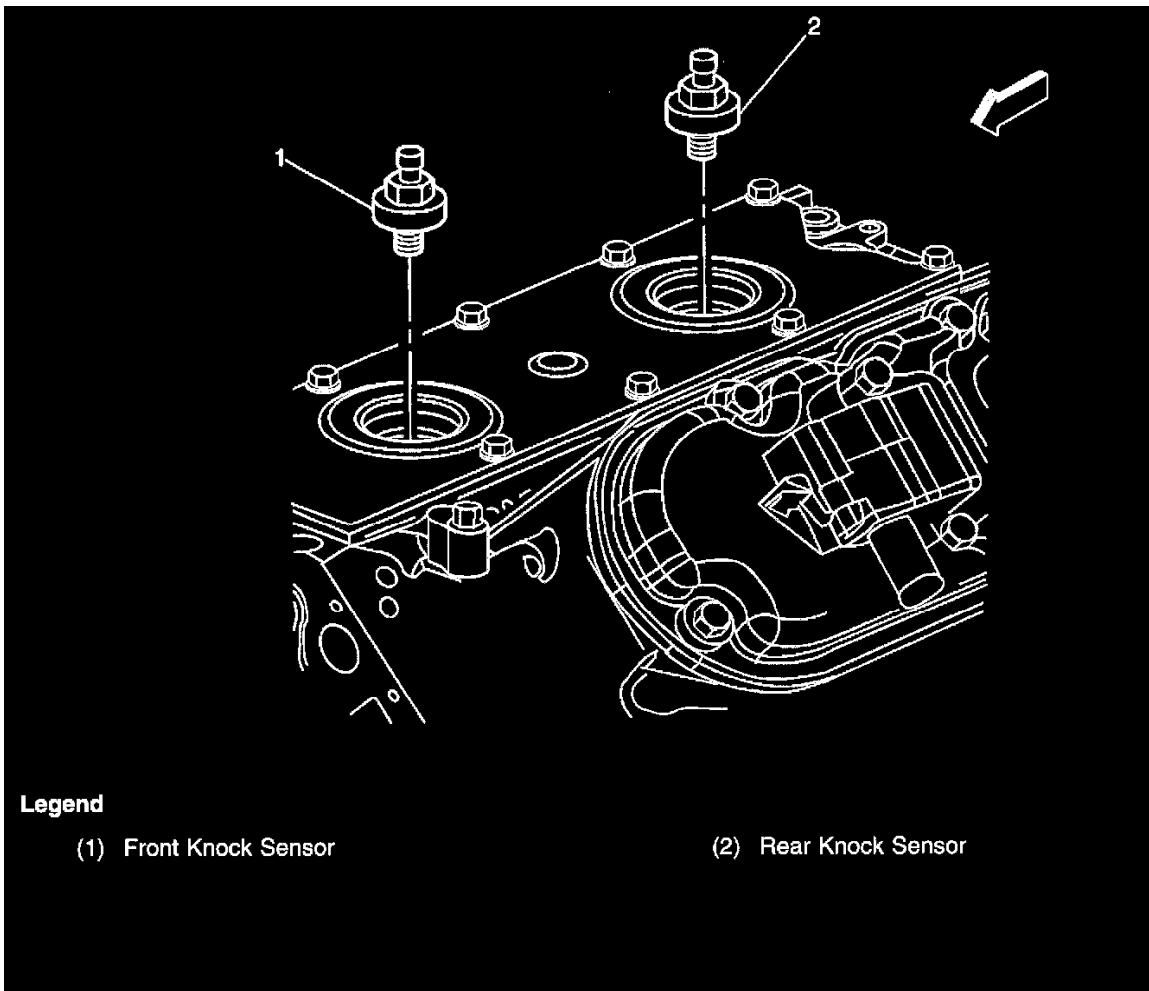
Locations View



Locations View

Mounted on the air duct, in front of the intake manifold

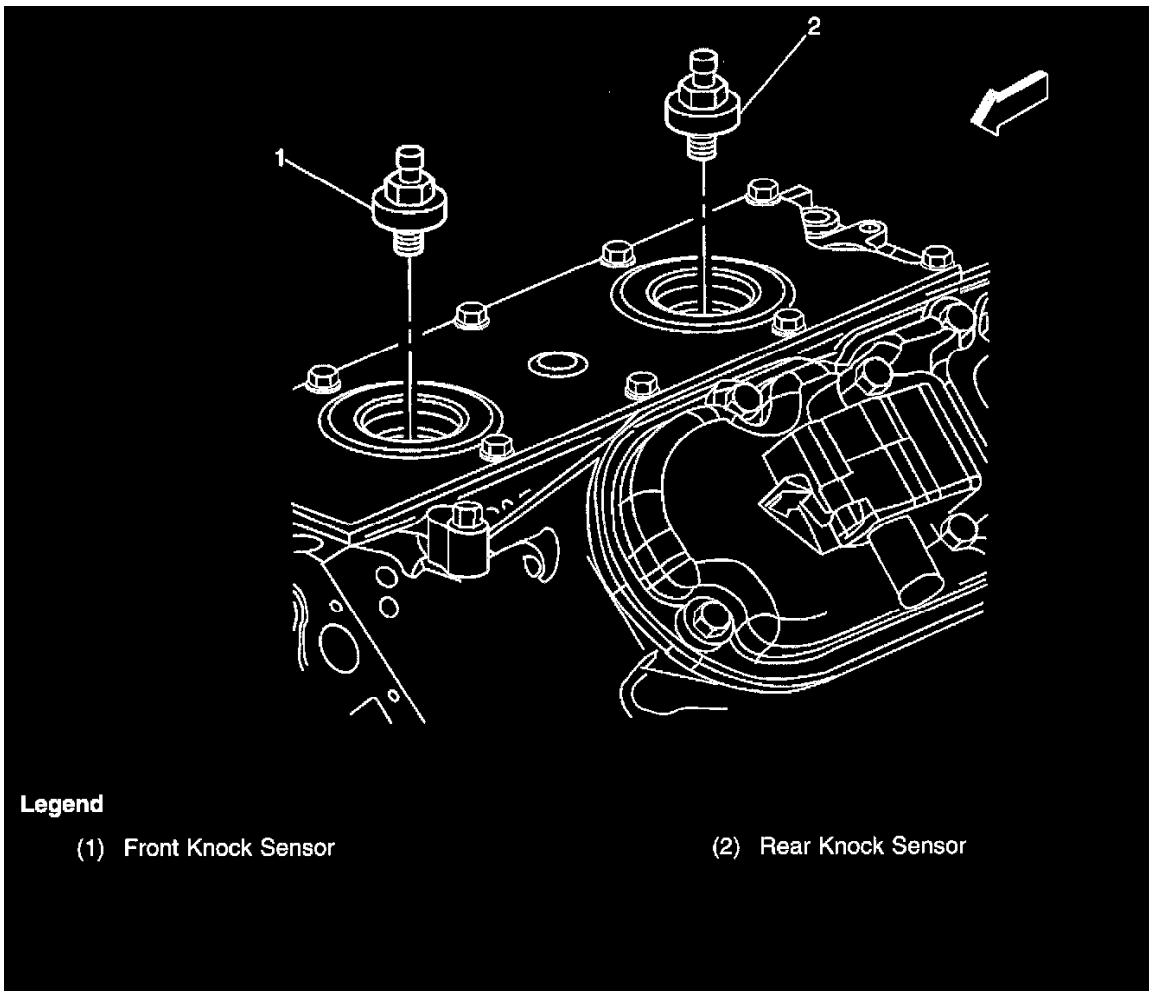
Knock Sensor, Front



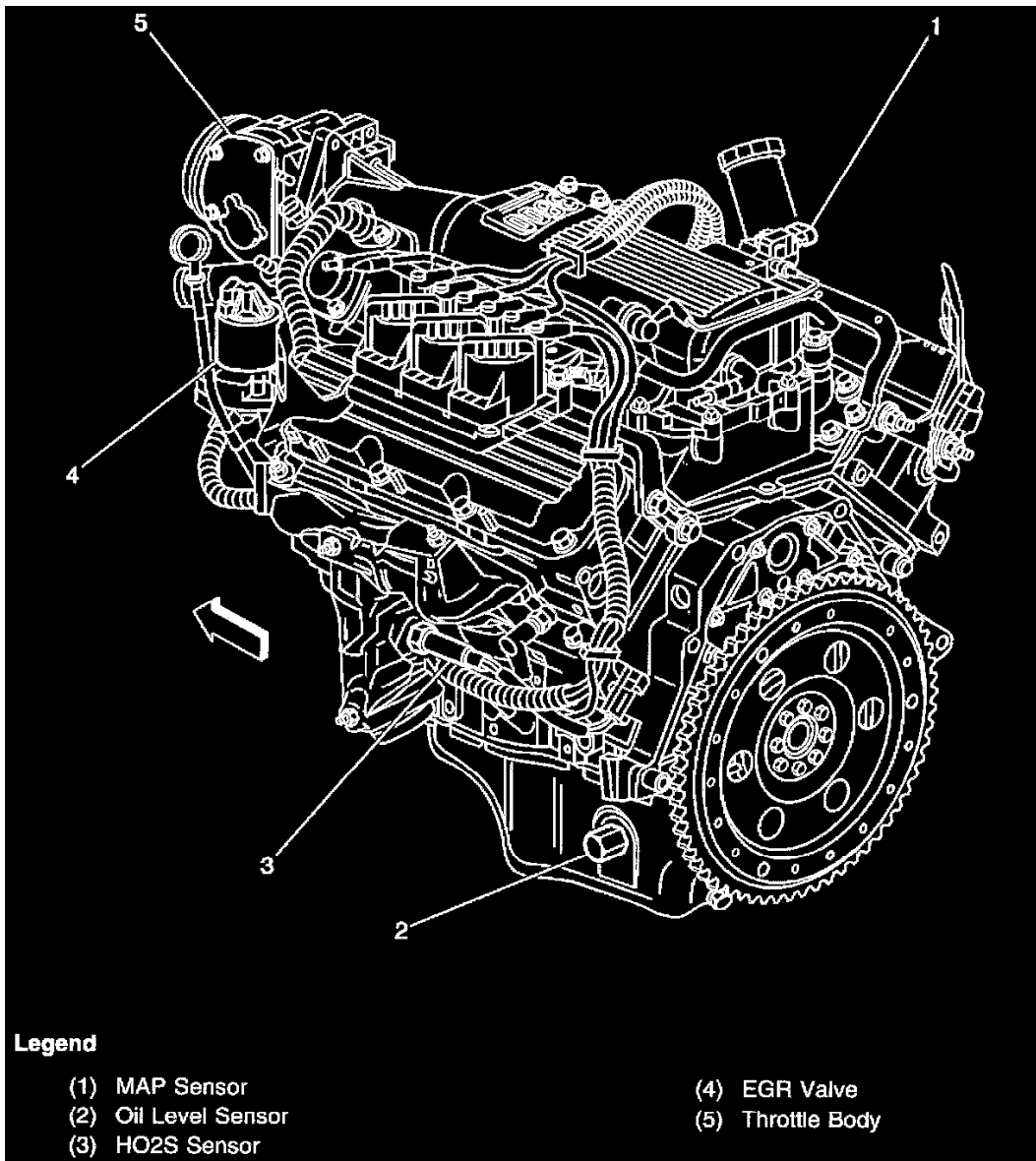
Locations View

On the center of the engine below the intake manifold

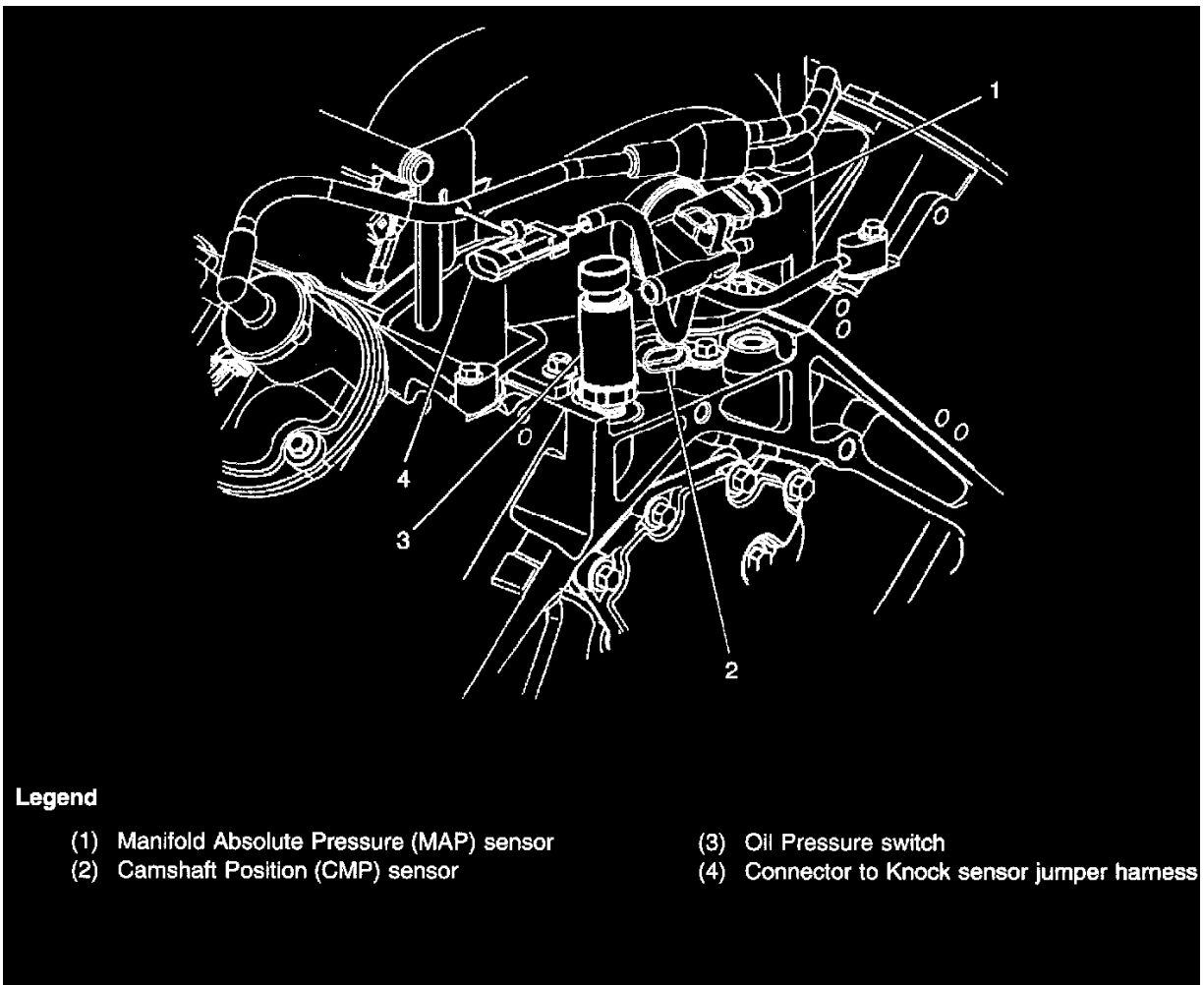
Knock Sensor, Rear



On the center of the engine below the intake manifold
Manifold Absolute Pressure (MAP) Sensor



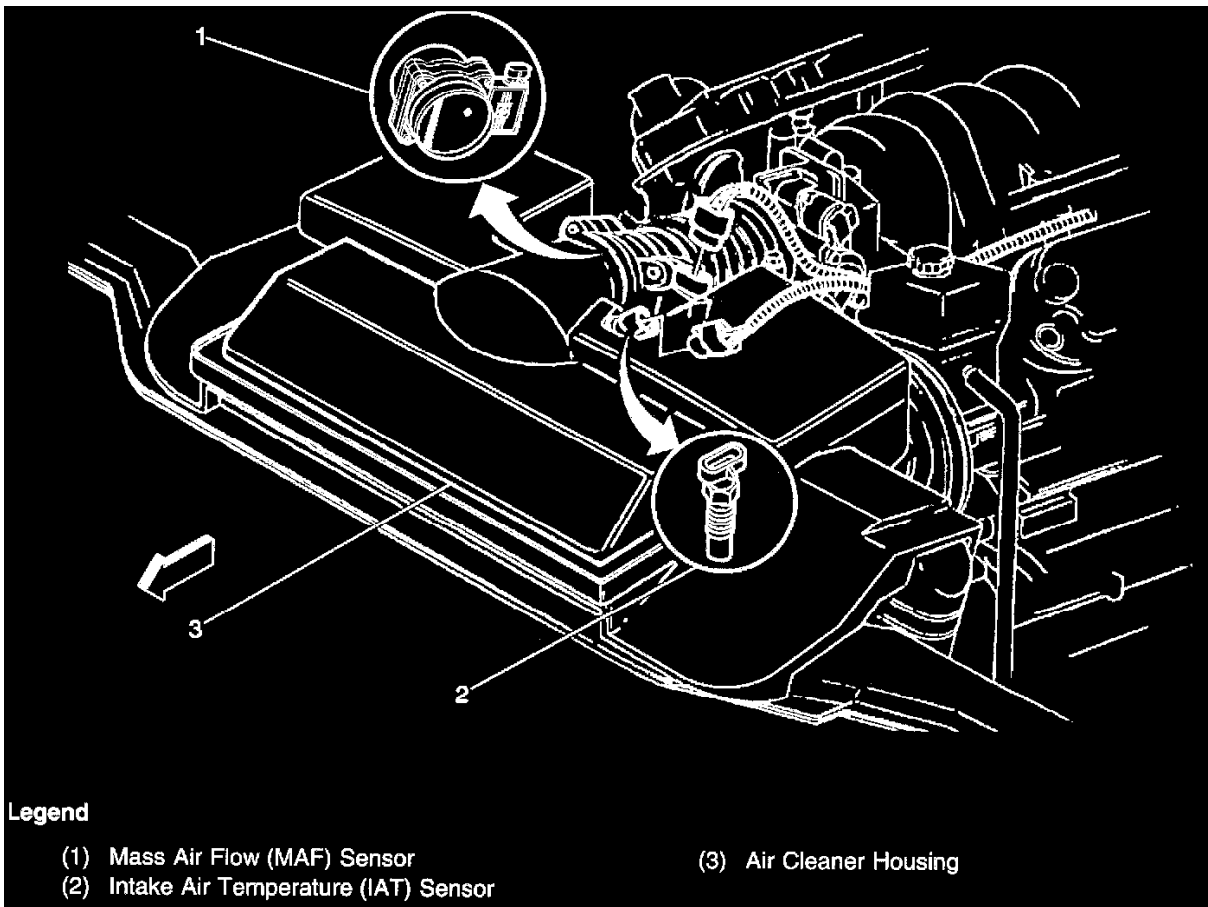
Locations View



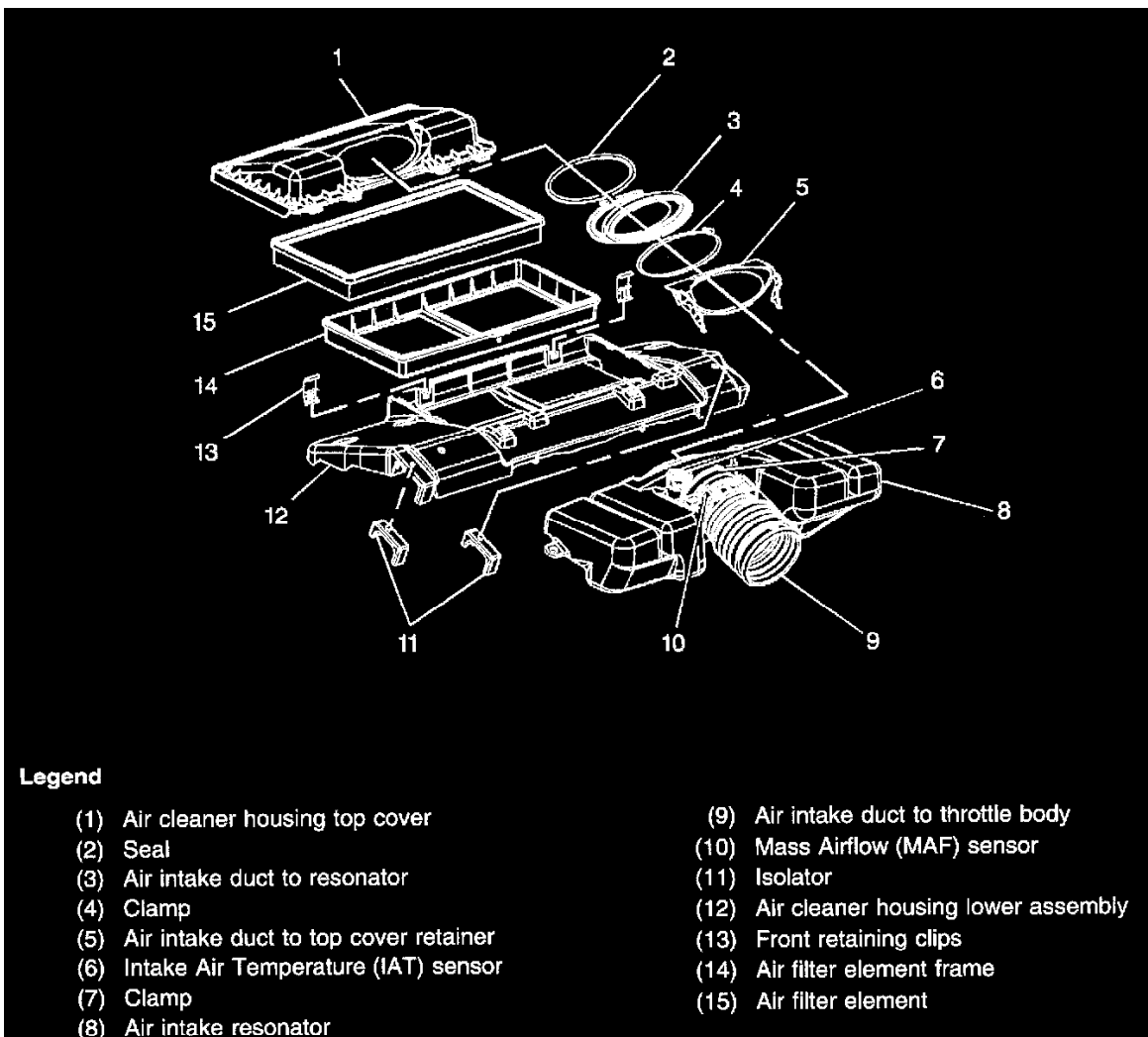
Locations View

Mounted to the right side of the intake manifold

Mass Air Flow (MAF) Sensor

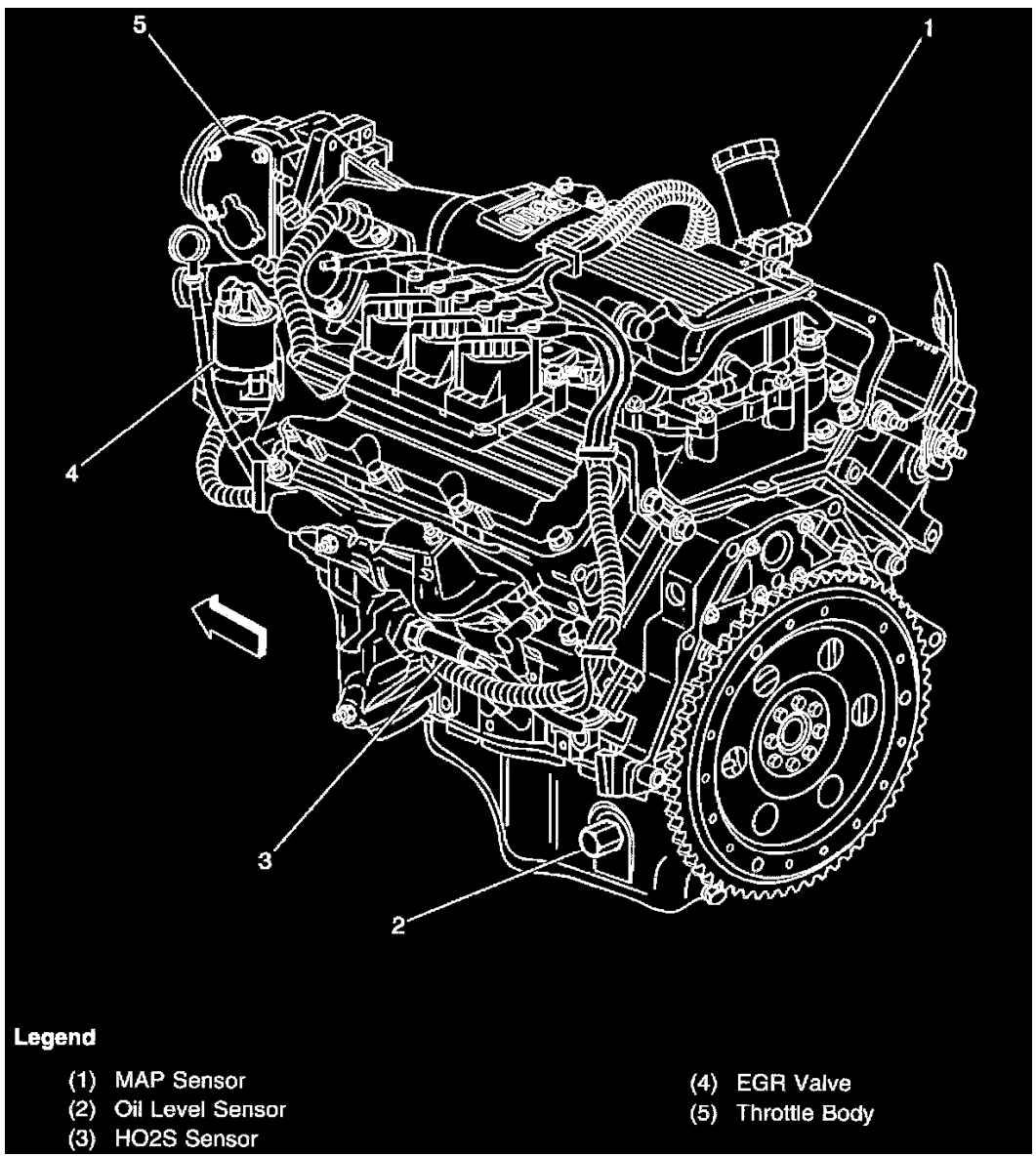


Locations View

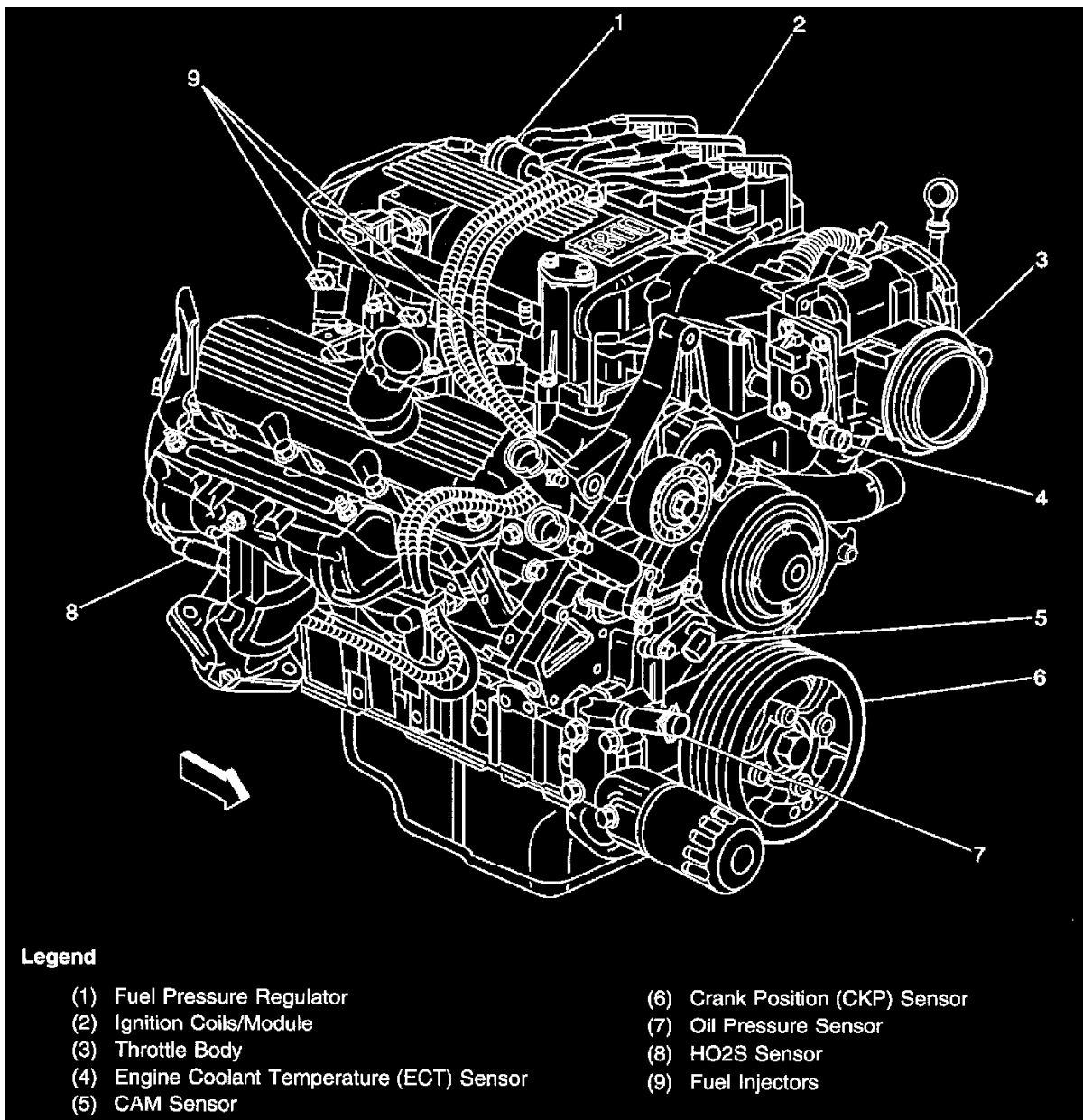


Locations View

Mounted on the air duct, in front of the intake manifold

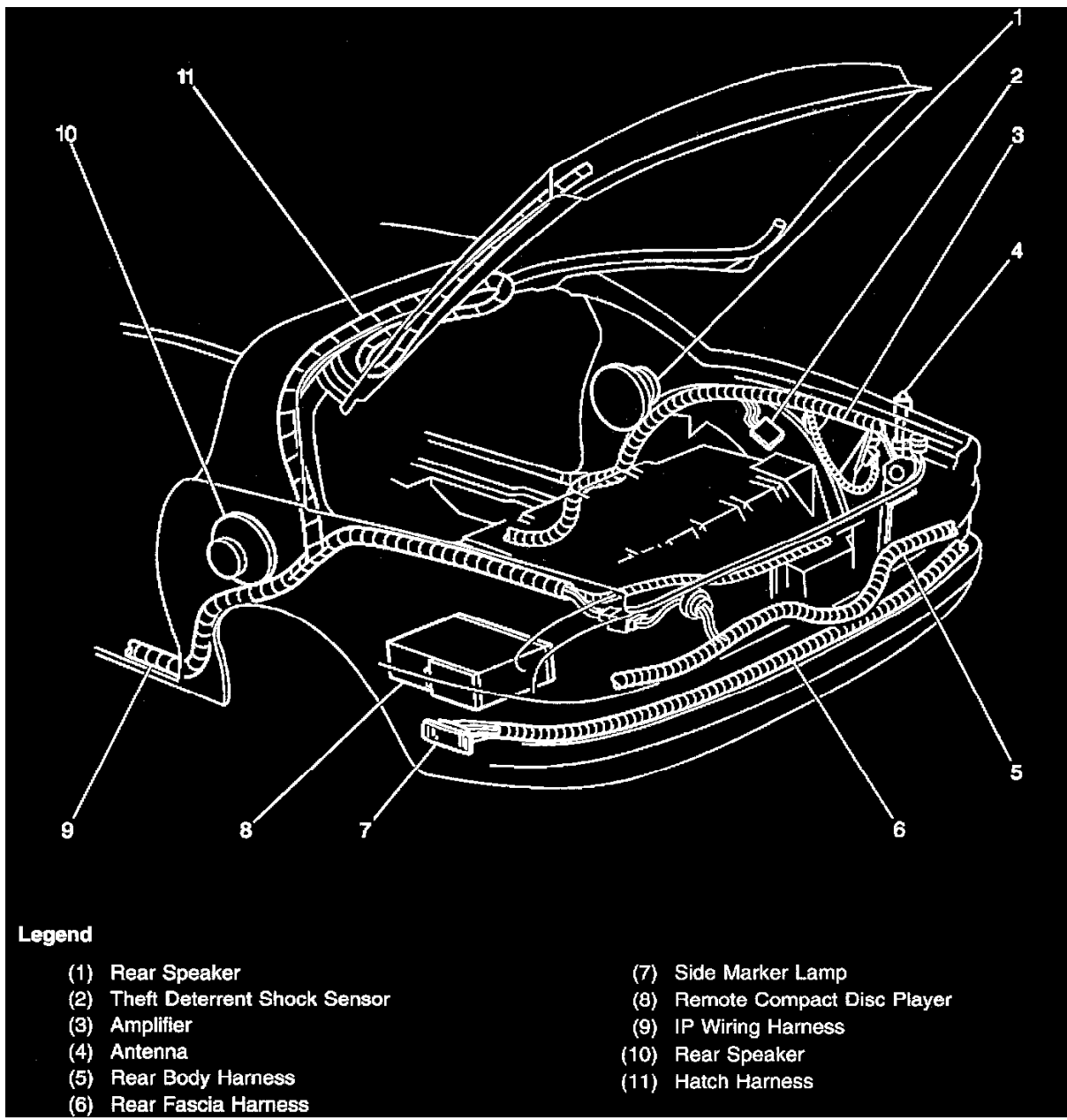


Locations View

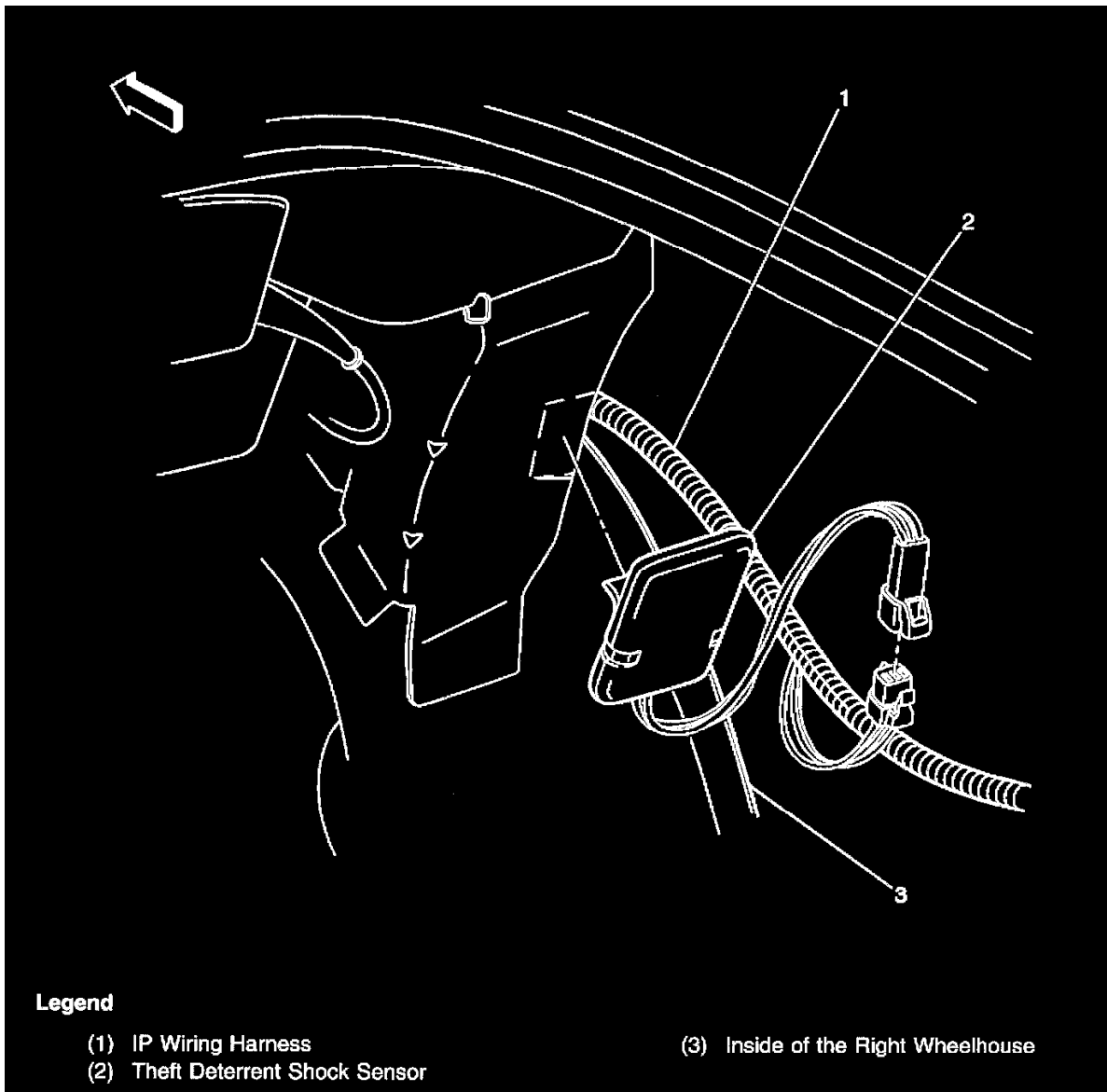


Locations View

Theft Deterrent Shock Sensor



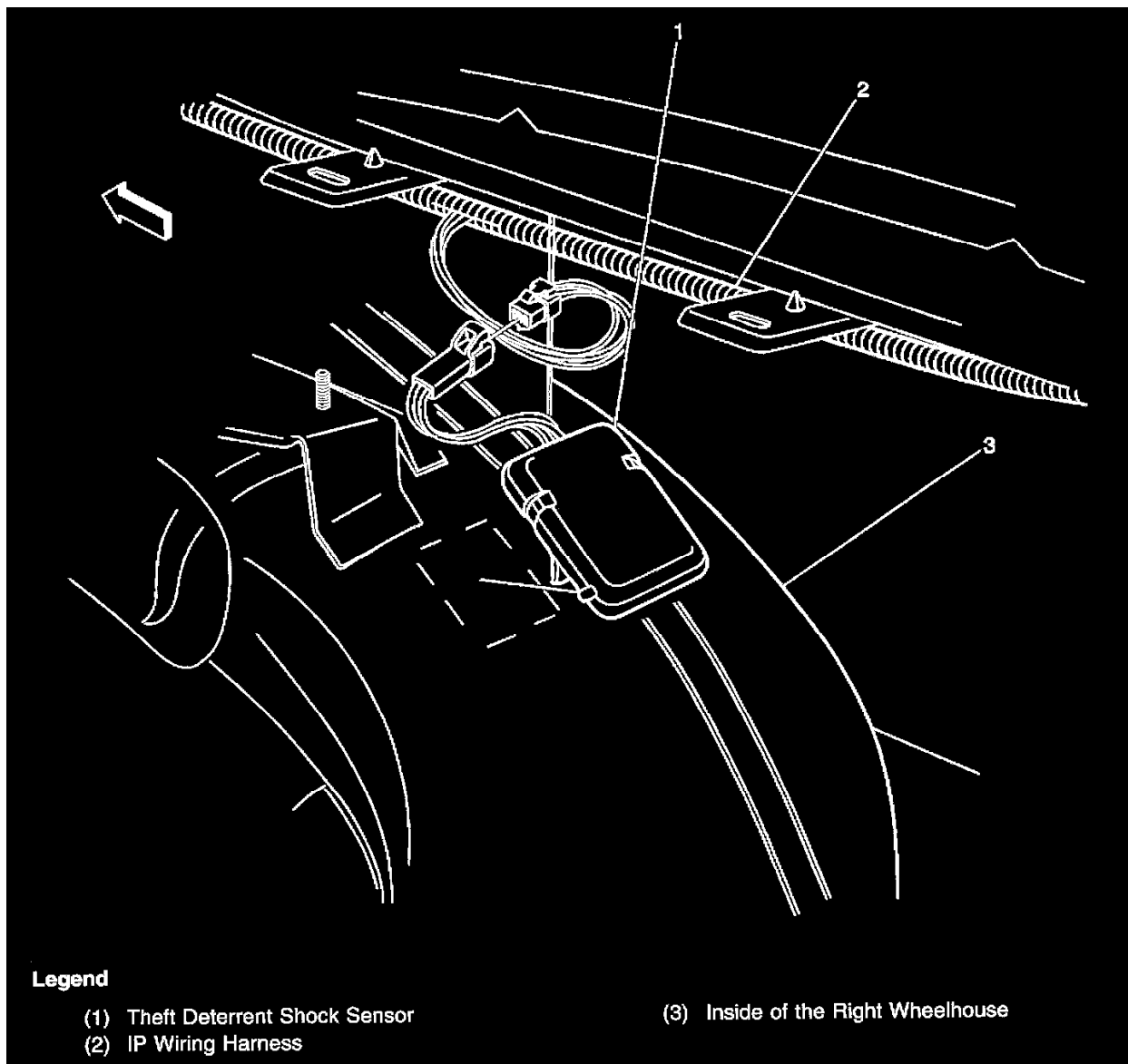
Locations View



Legend

- (1) IP Wiring Harness
- (2) Theft Deterrent Shock Sensor
- (3) Inside of the Right Wheelhouse

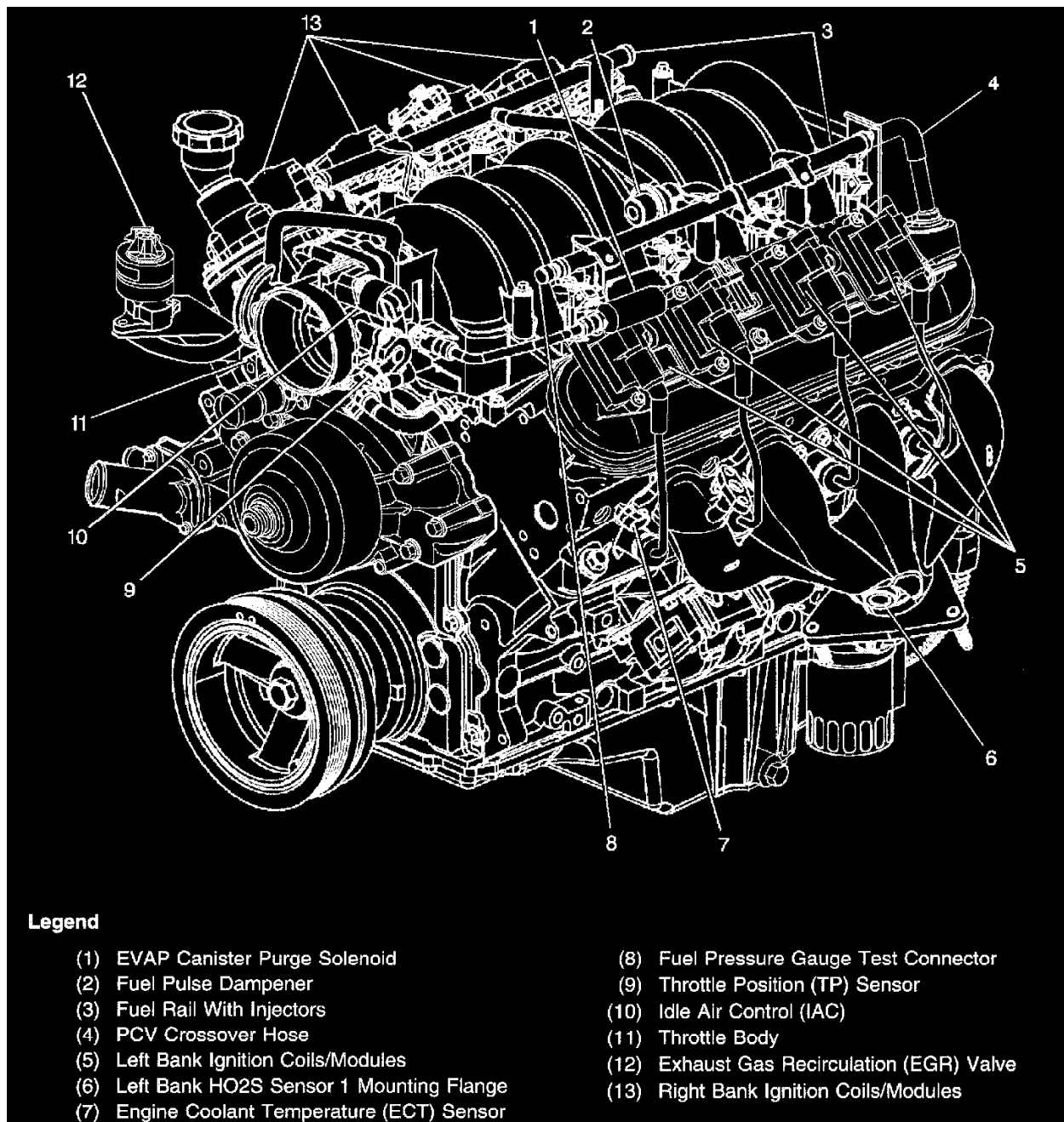
Locations View



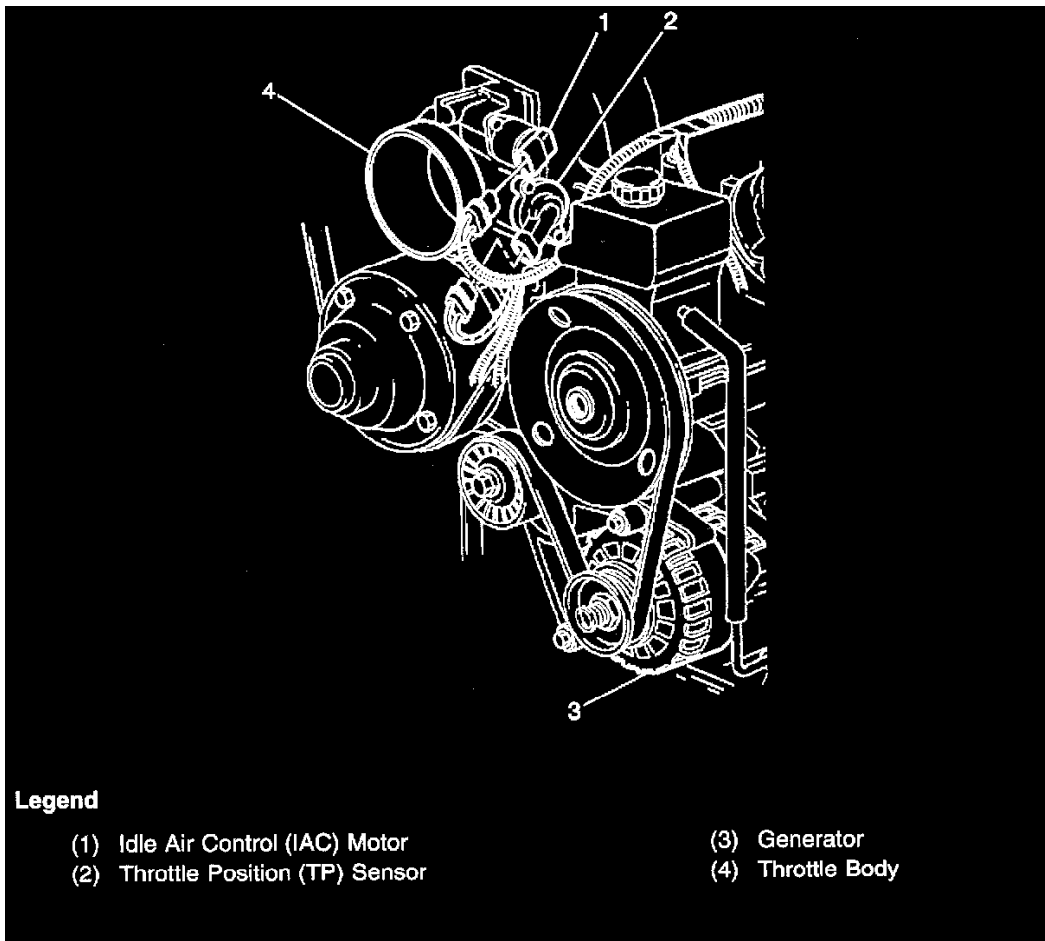
Locations View

Behind the right quarter inner trim panel, attached to the wheelhouse

Throttle Position (TP) Sensor

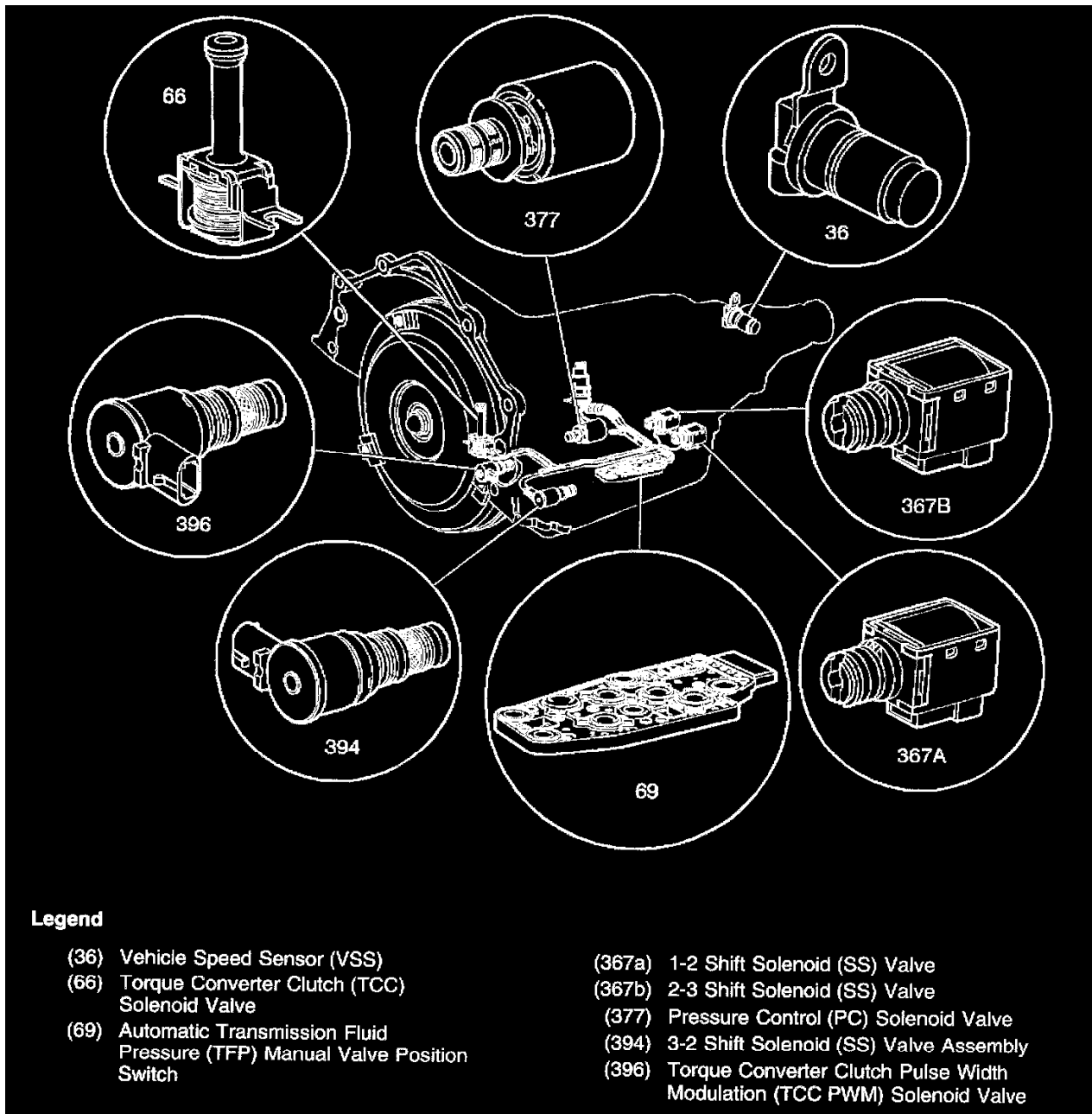


Locations View

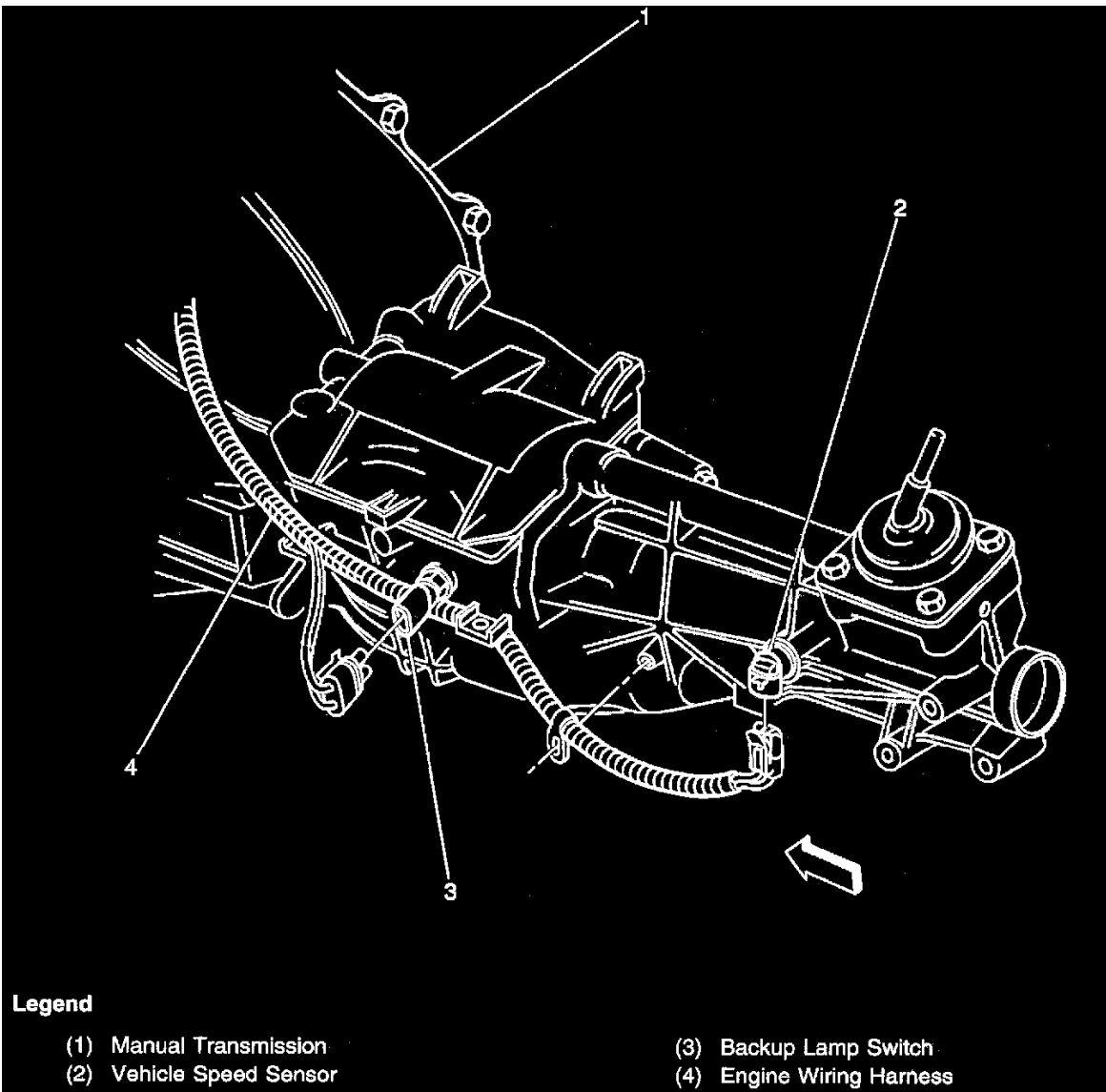


Locations View

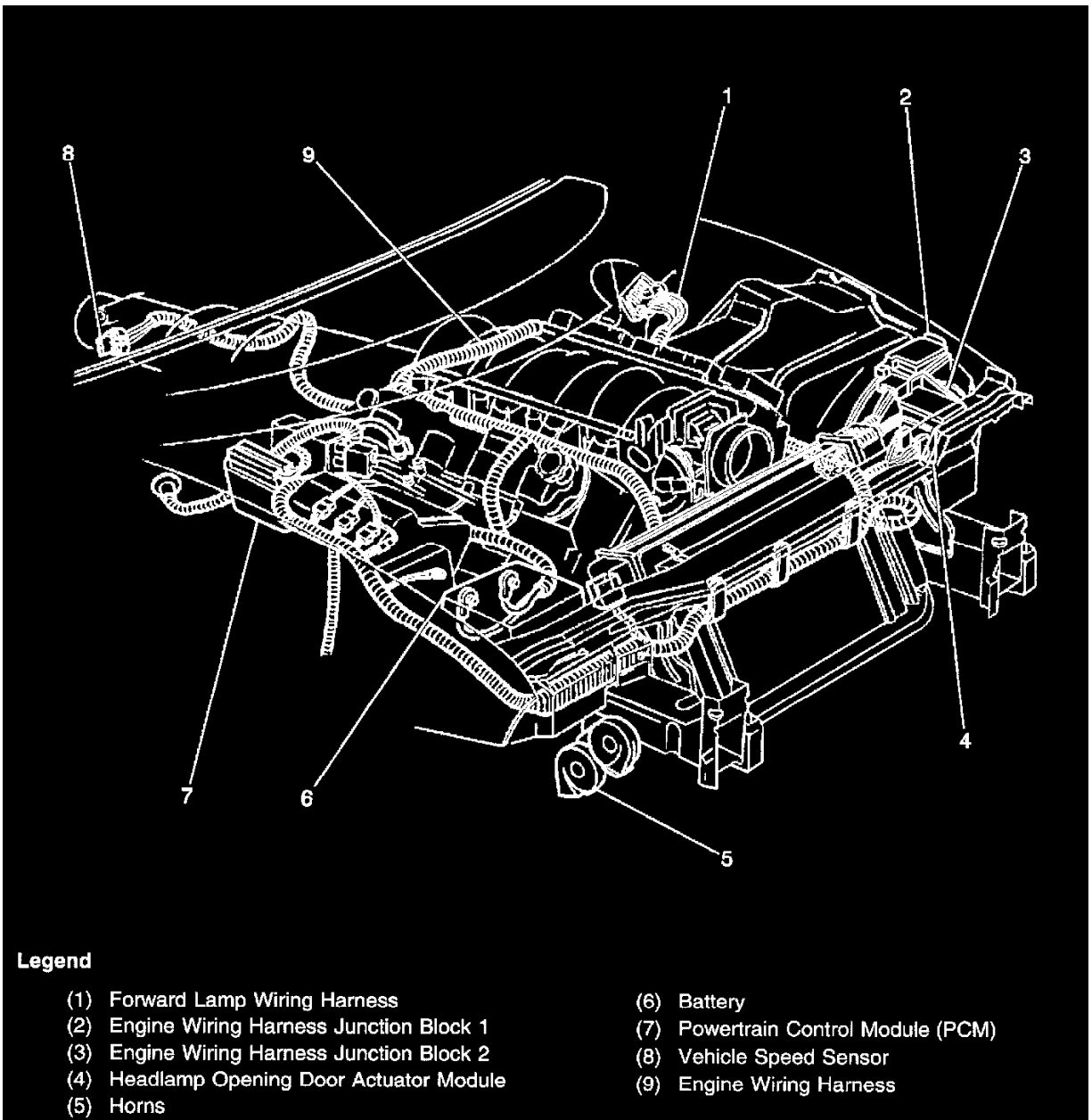
Mounted to the front of the throttle body
Vehicle Speed Sensor (VSS)



Locations View



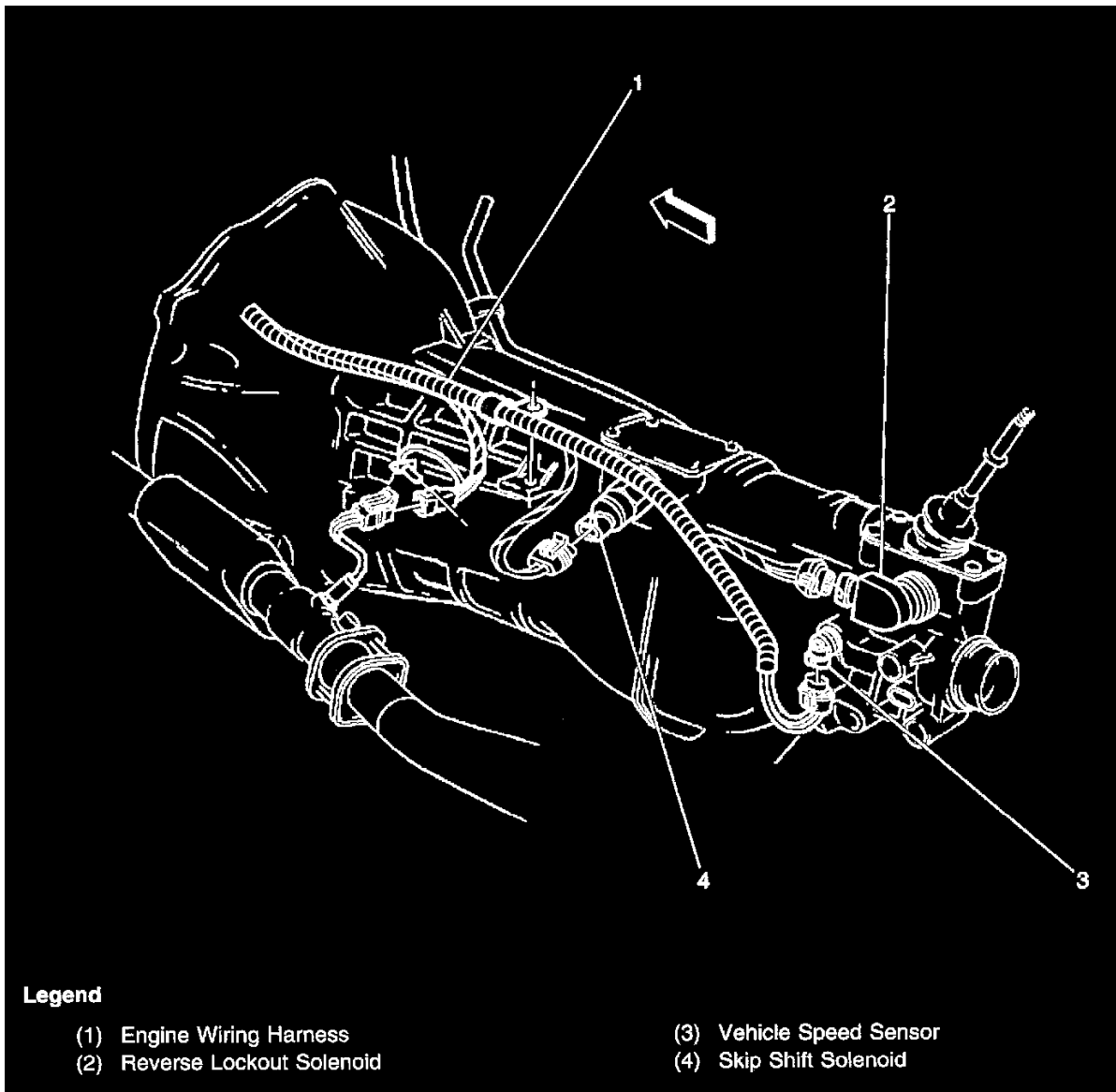
Locations View



Legend

- | | |
|--|-------------------------------------|
| (1) Forward Lamp Wiring Harness | (6) Battery |
| (2) Engine Wiring Harness Junction Block 1 | (7) Powertrain Control Module (PCM) |
| (3) Engine Wiring Harness Junction Block 2 | (8) Vehicle Speed Sensor |
| (4) Headlamp Opening Door Actuator Module | (9) Engine Wiring Harness |
| (5) Horns | |

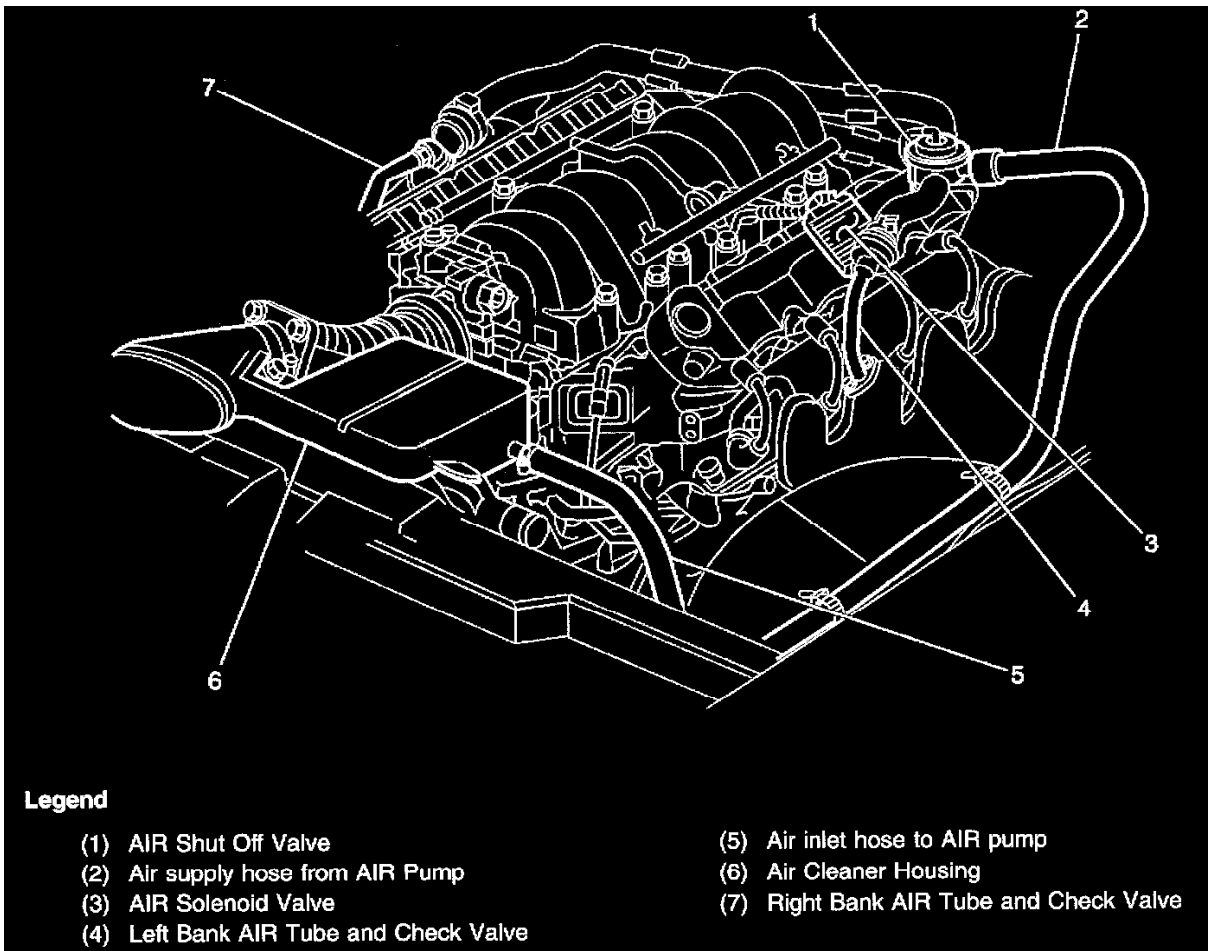
Locations View



Locations View

(Automatic) On the rear right side of the transmission

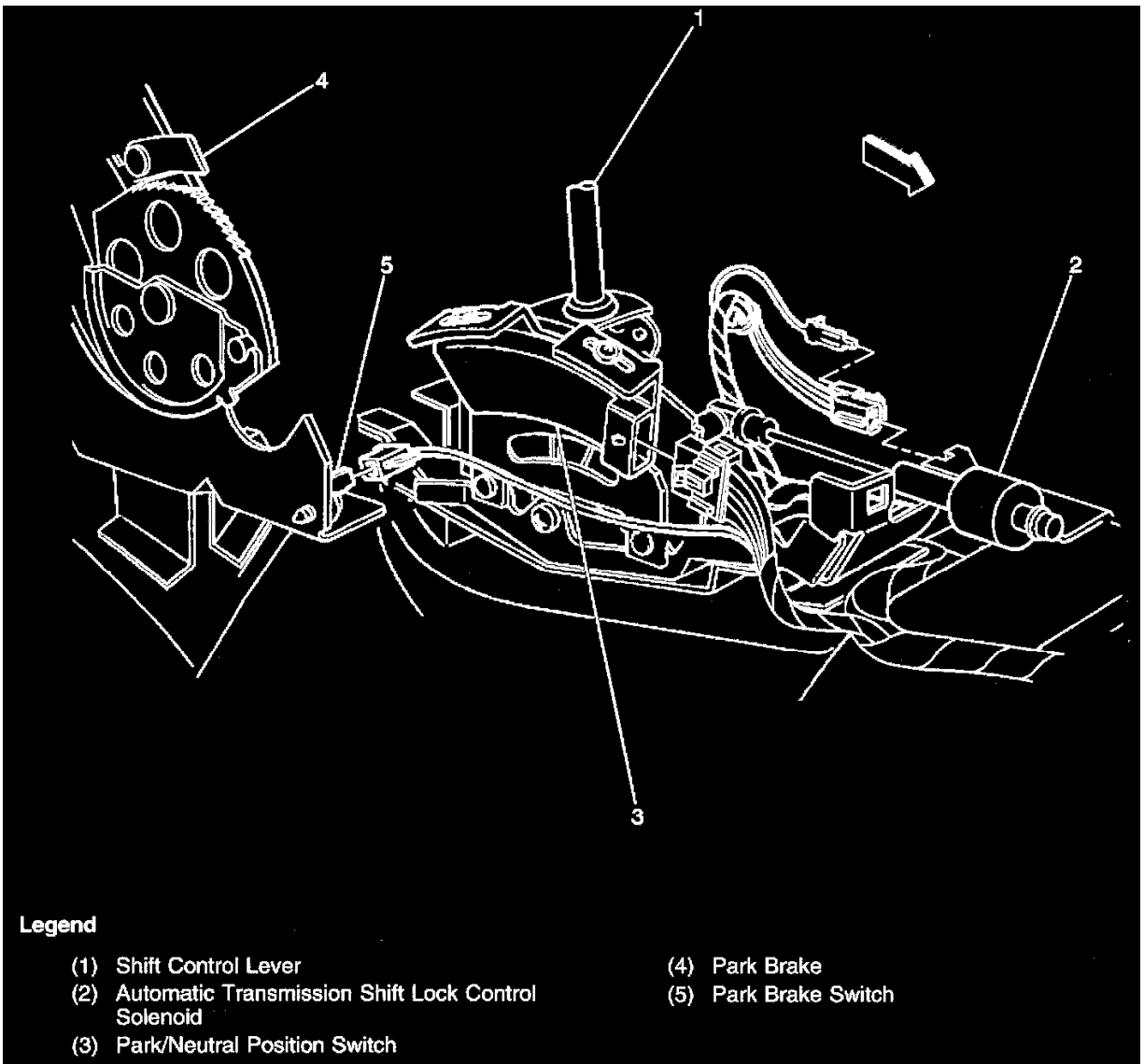
(Manual) On the rear left side of the transmission



Locations View

AT Shift Lock Control Actuator Solenoid

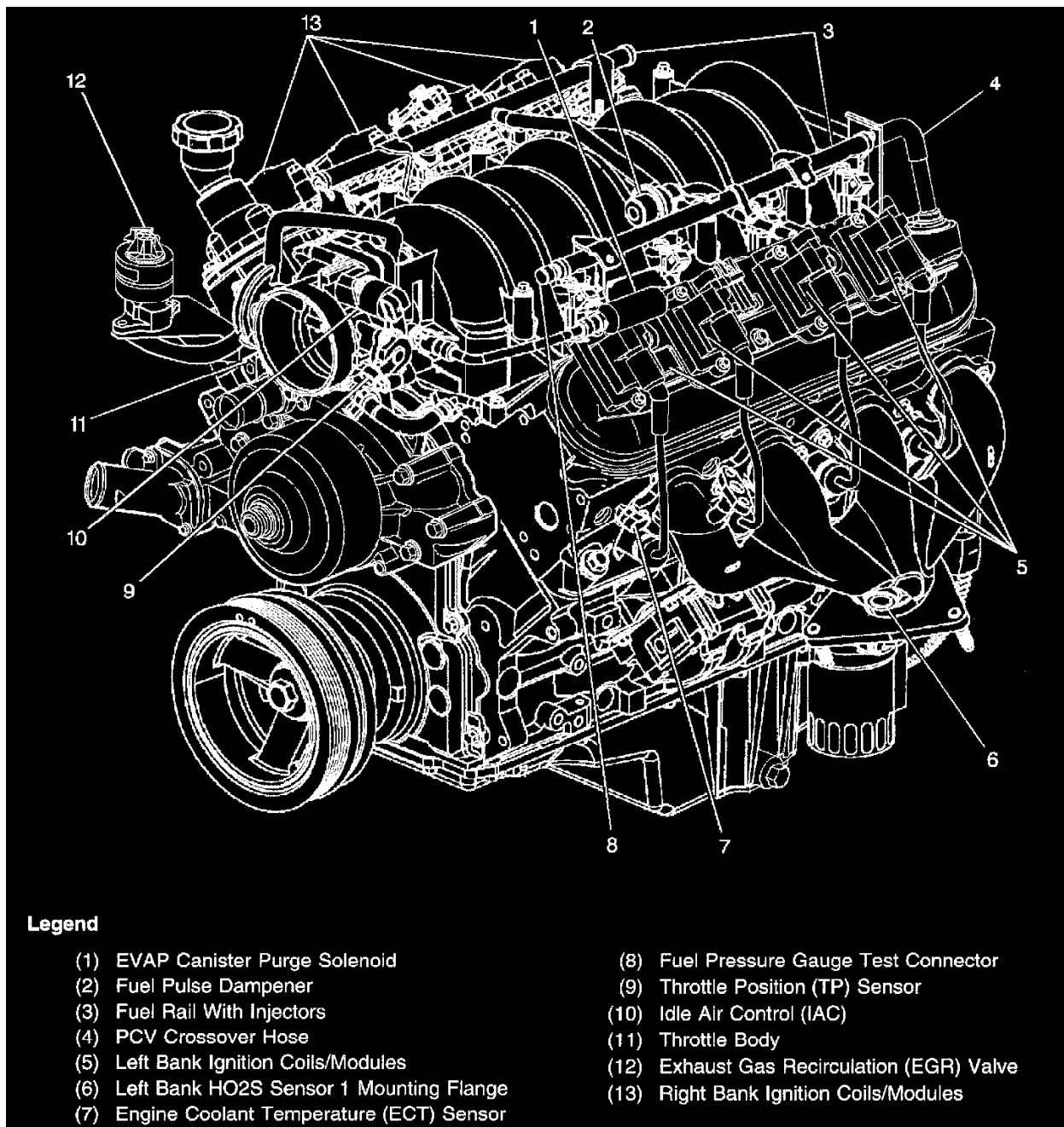
Under the center console, near the shift control lever



Locations View

Evaporative Emission (EVAP) Canister Purge Solenoid Valve

Evaporative Emission (EVAP) Canister Purge Solenoid Valve

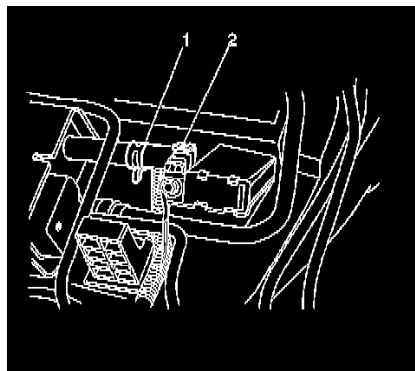


Locations View

On the left side of the engine, mounted to the intake manifold.

Evaporative Emission (EVAP) Canister Vent Solenoid Valve

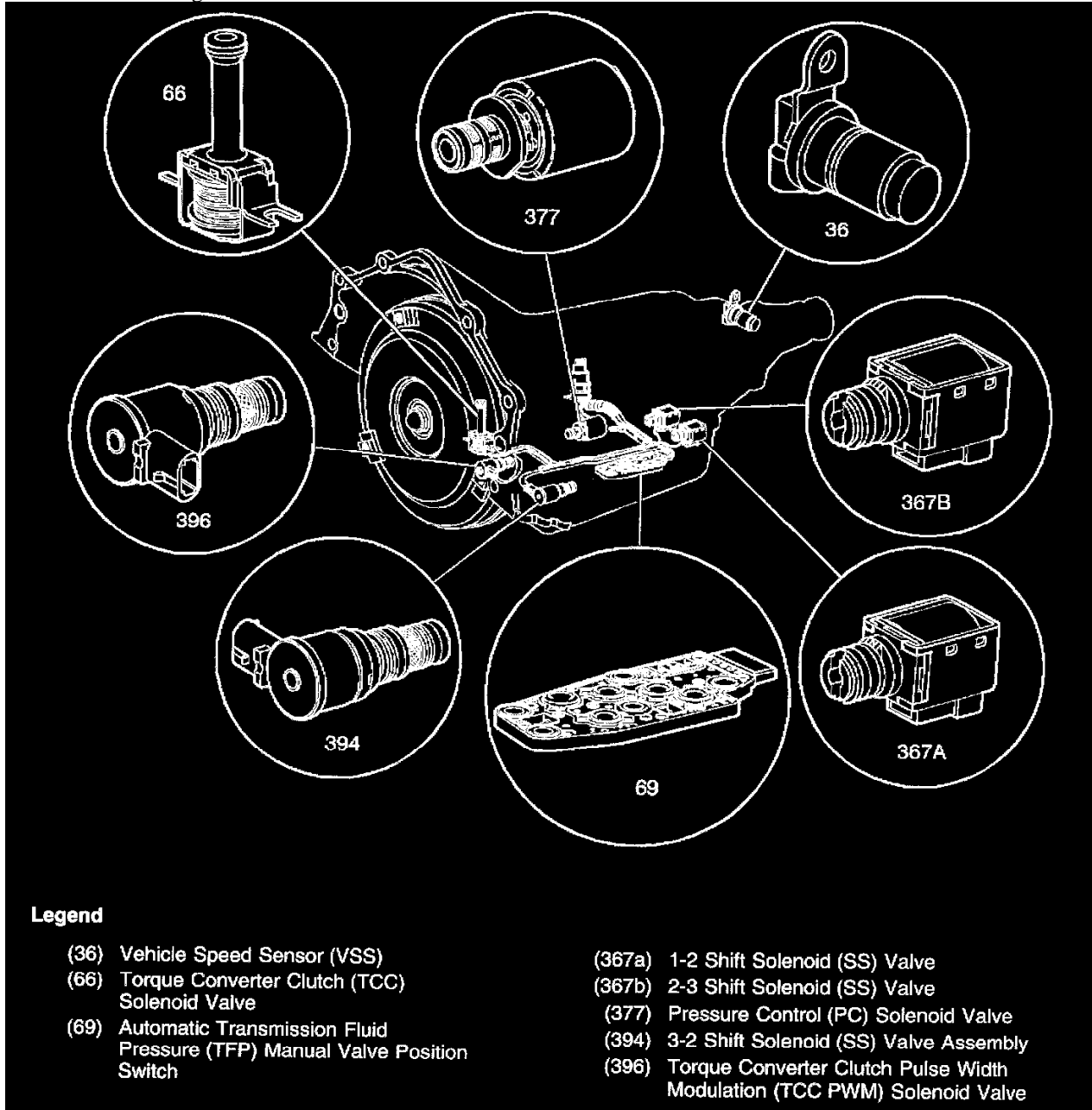
EVAP Canister Vent Solenoid Valve Location



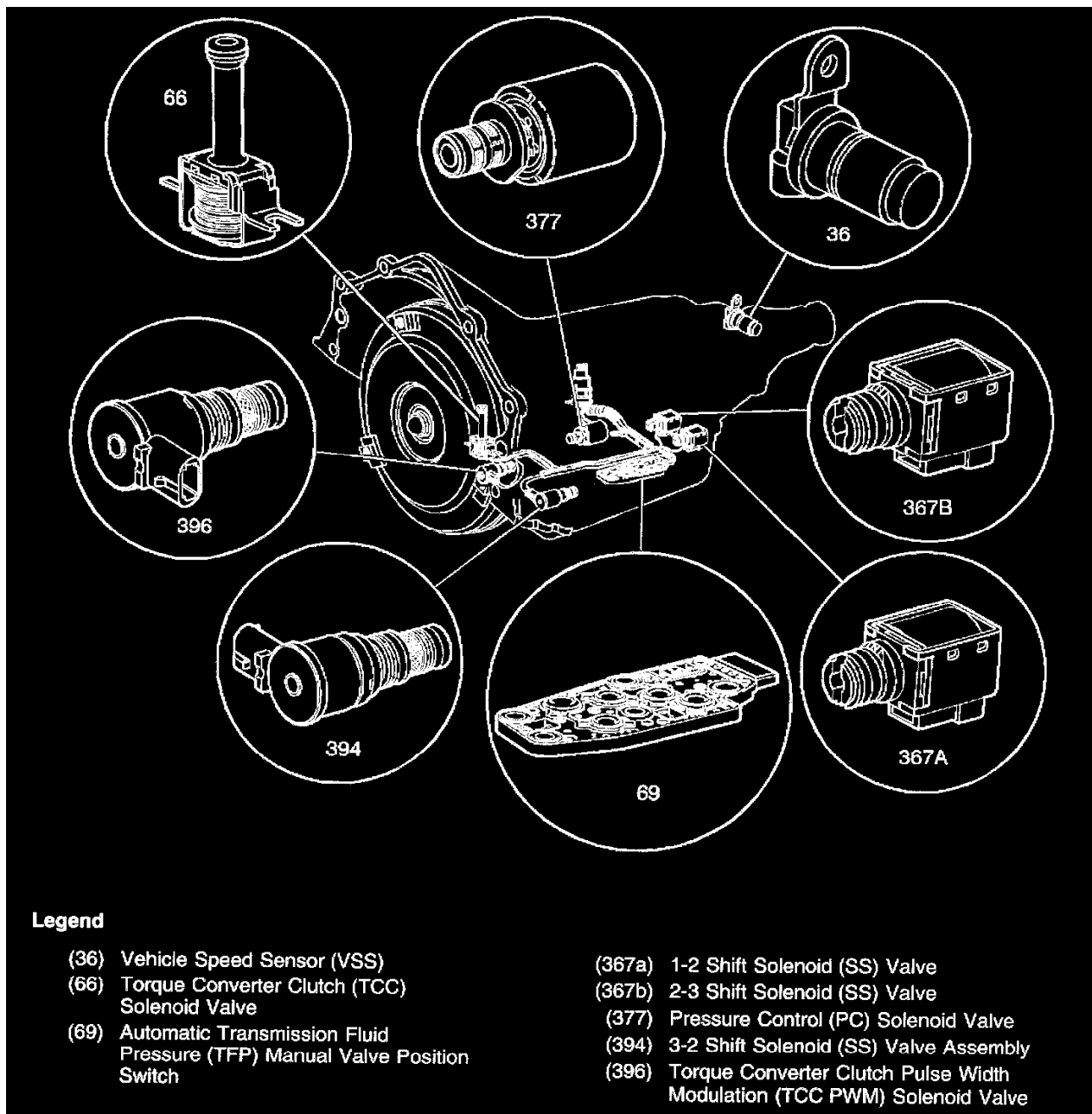
Vent hose clamp (1)

EVAP canister vent valve electrical connector (2)

ALLDATA Editor Note: Image is shown with fuel tank removed.



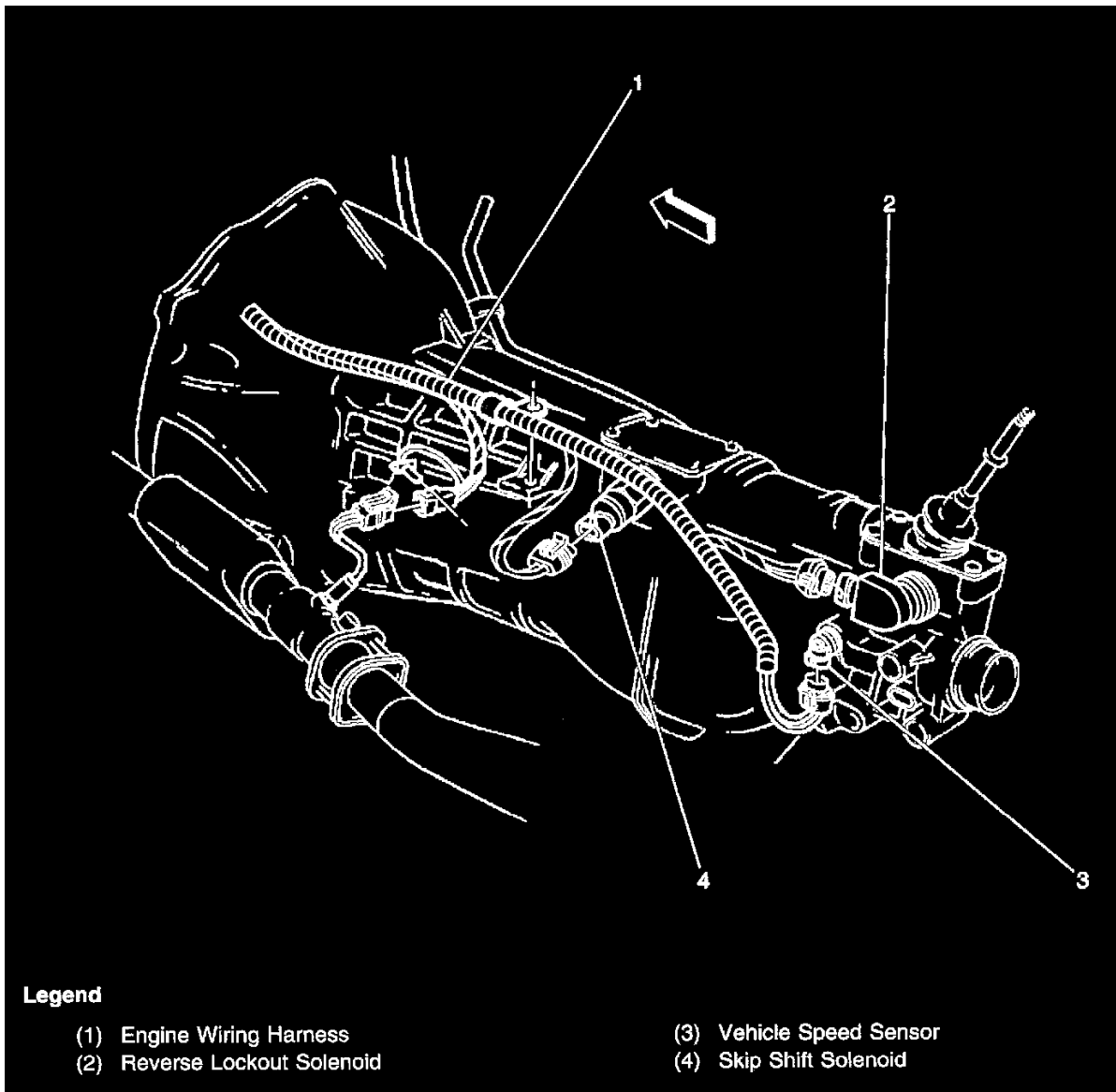
Locations View



Locations View

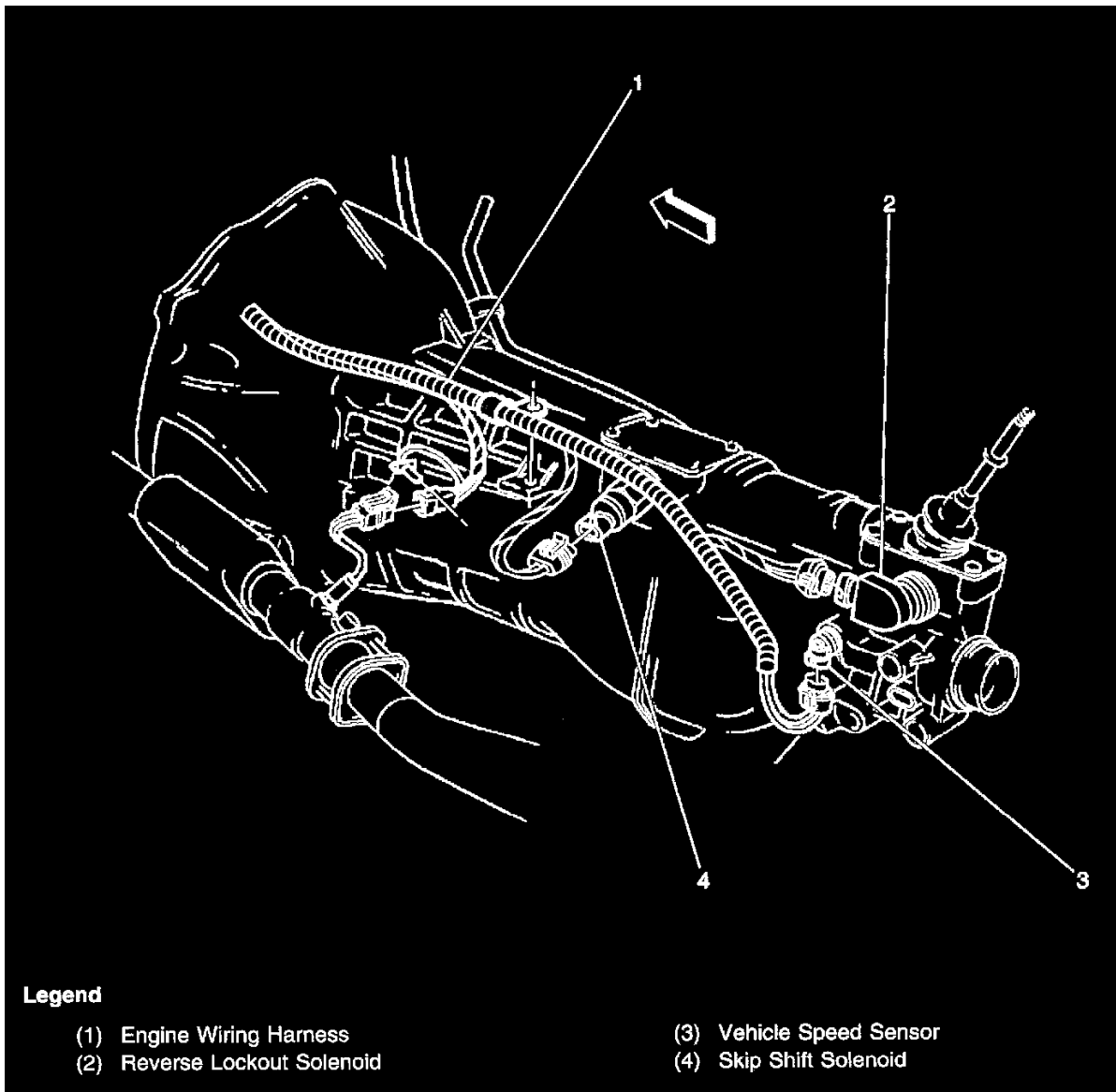
Reverse Inhibit Solenoid

On the rear left side of the transmission



Locations View

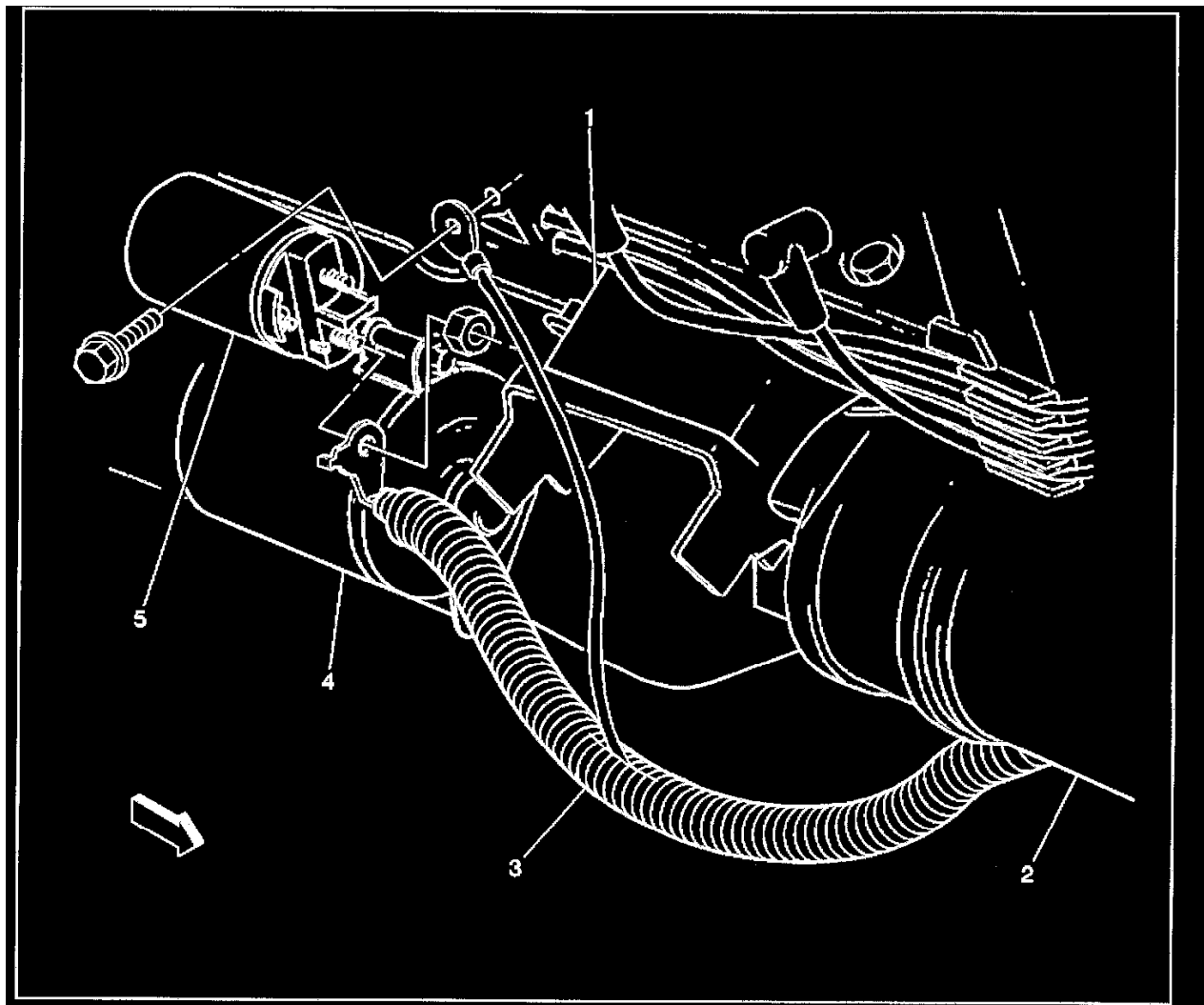
Skip Shift Solenoid



Locations View

On the center left side of the transmission

Starter Solenoid

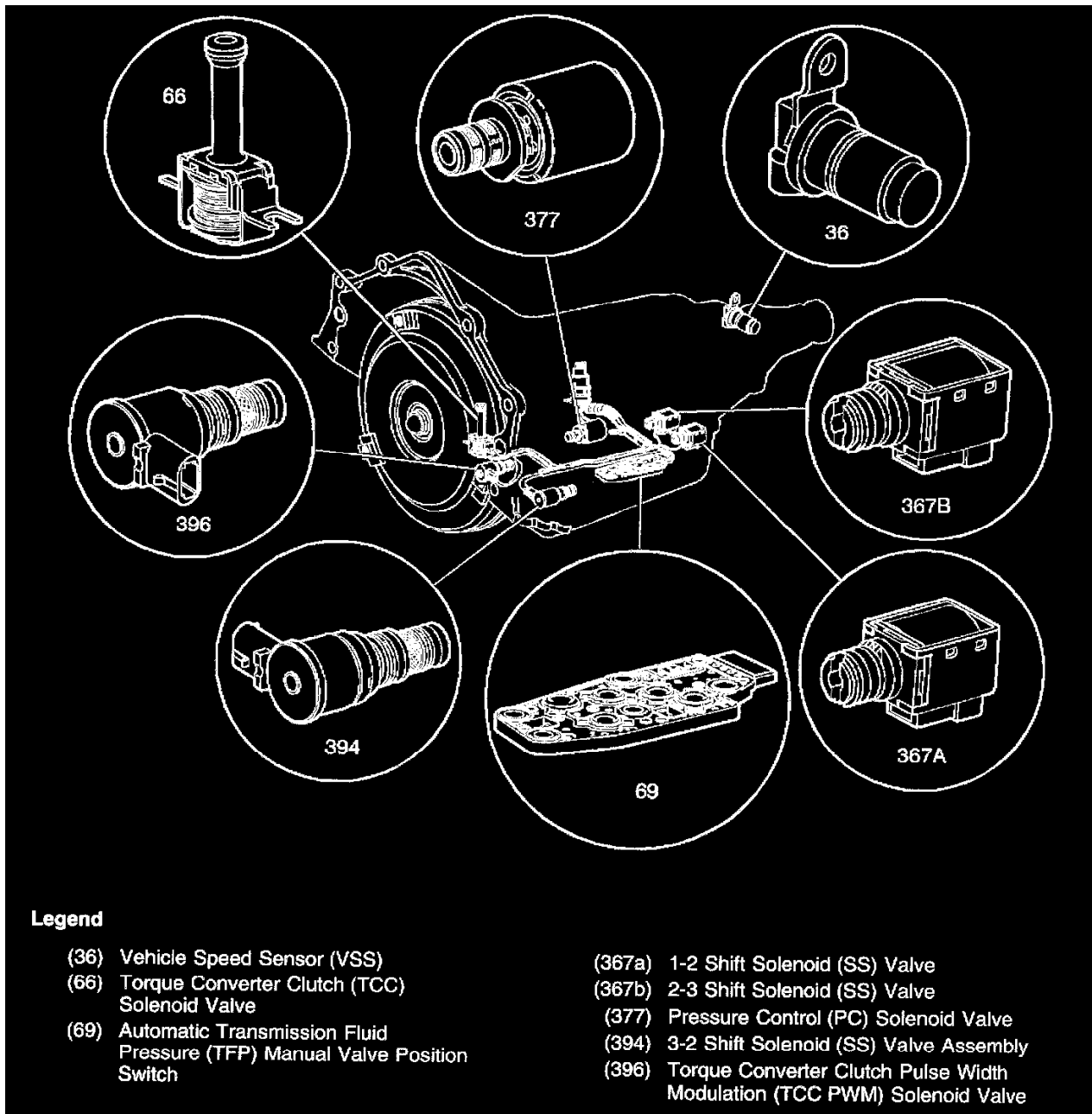


Legend

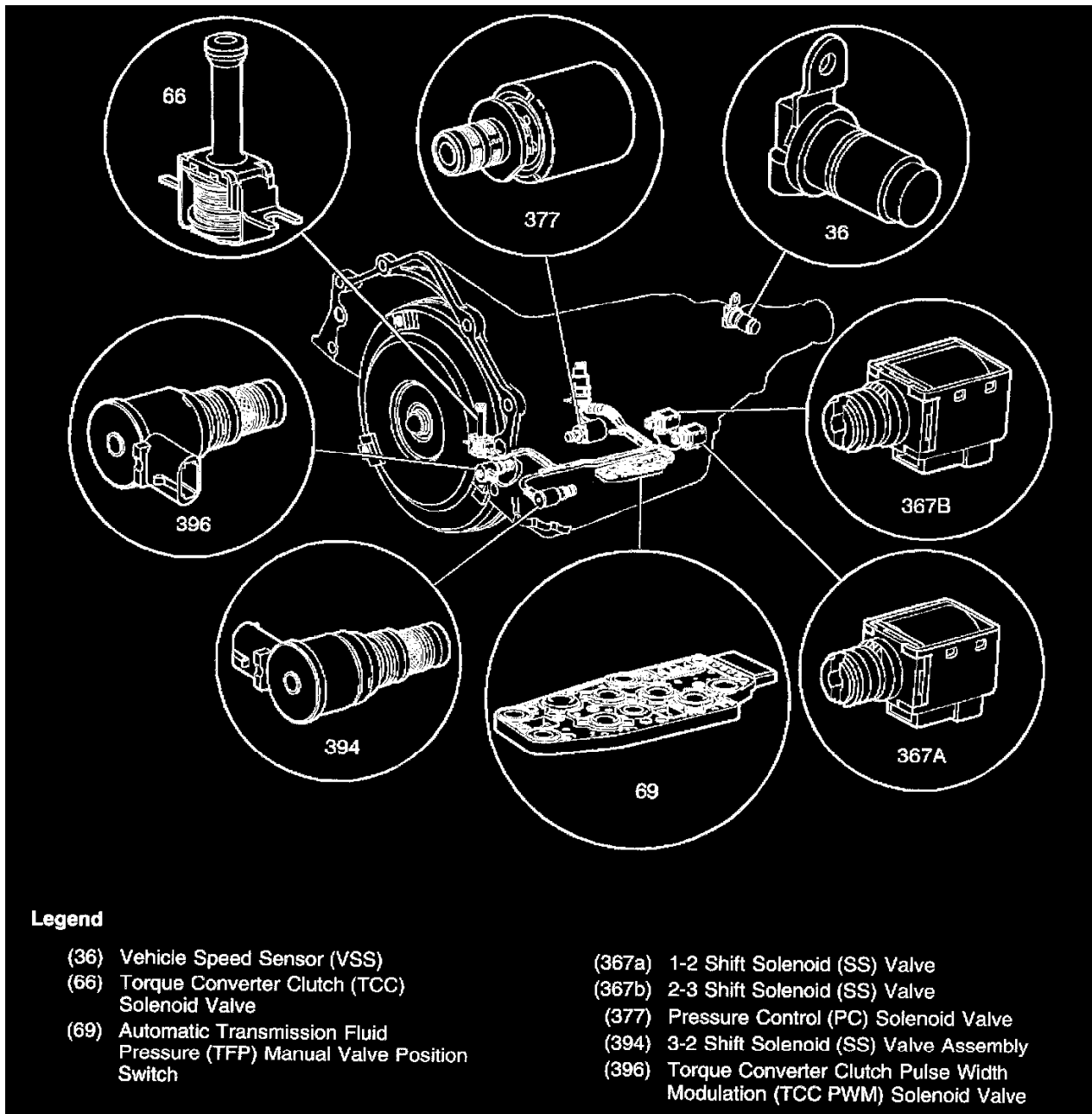
- | | |
|--------------------------|----------------------|
| (1) Engine Mount Bracket | (4) Starter Motor |
| (2) A/C Compressor | (5) Starter Solenoid |
| (3) Battery Cable | |

Locations View - Lower Right Side Of Engine (V8 VIN G)

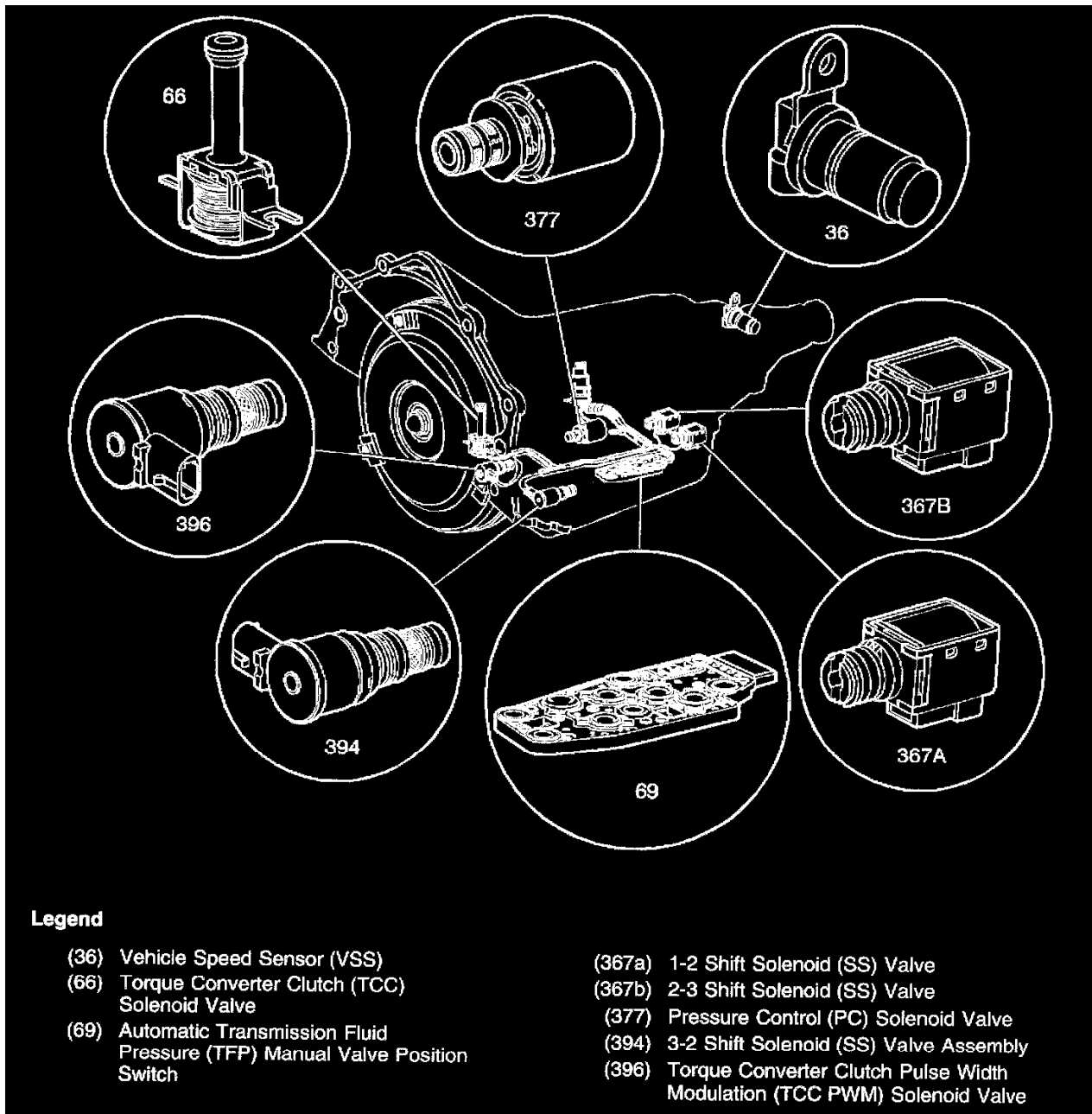
On the bottom right side of the engine, above the starter motor.



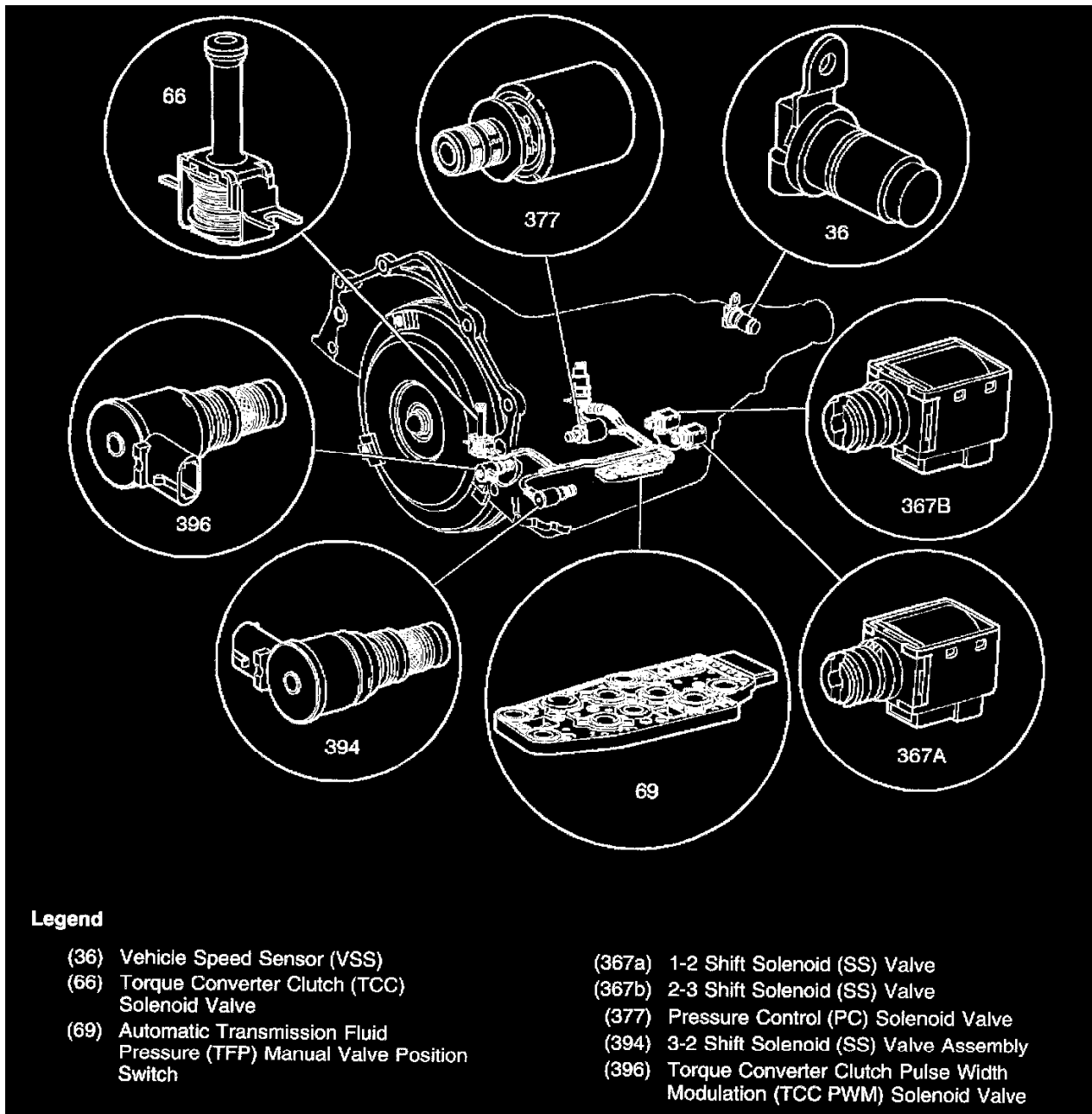
Locations View



Locations View



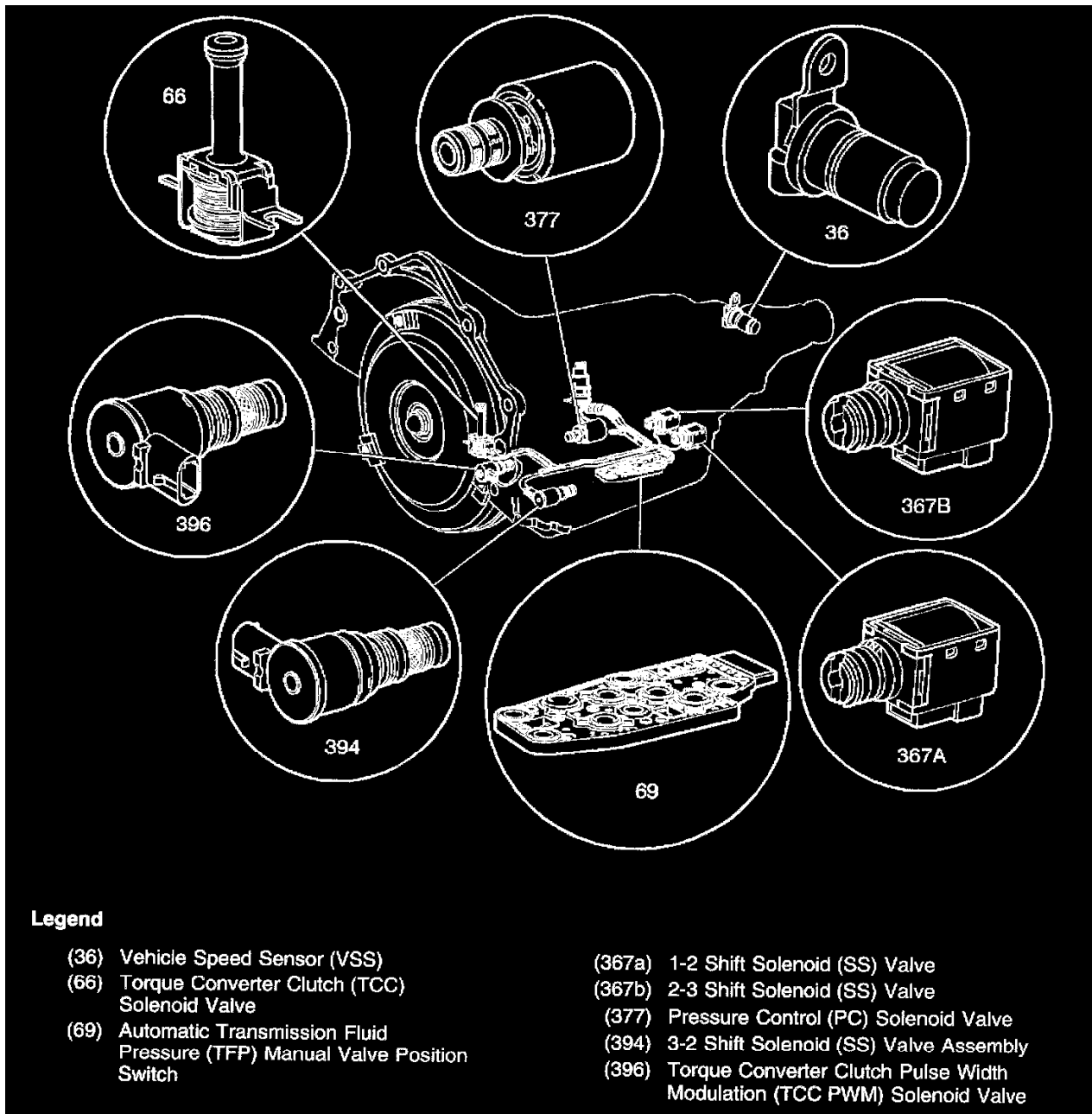
Locations View



Legend

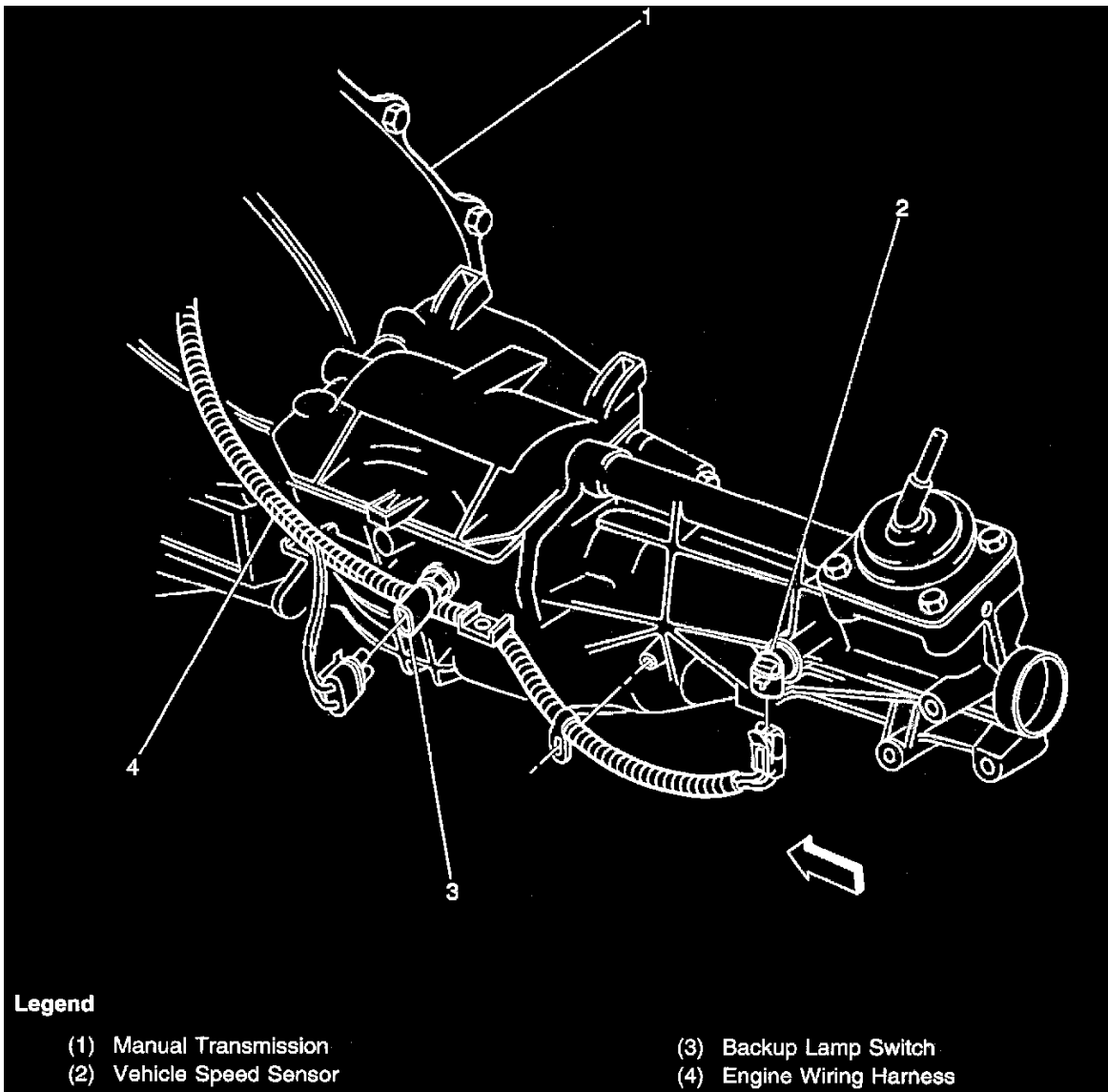
- | | |
|---|---|
| (36) Vehicle Speed Sensor (VSS) | (367a) 1-2 Shift Solenoid (SS) Valve |
| (66) Torque Converter Clutch (TCC) Solenoid Valve | (367b) 2-3 Shift Solenoid (SS) Valve |
| (69) Automatic Transmission Fluid Pressure (TFP) Manual Valve Position Switch | (377) Pressure Control (PC) Solenoid Valve |
| | (394) 3-2 Shift Solenoid (SS) Valve Assembly |
| | (396) Torque Converter Clutch Pulse Width Modulation (TCC PWM) Solenoid Valve |

Locations View

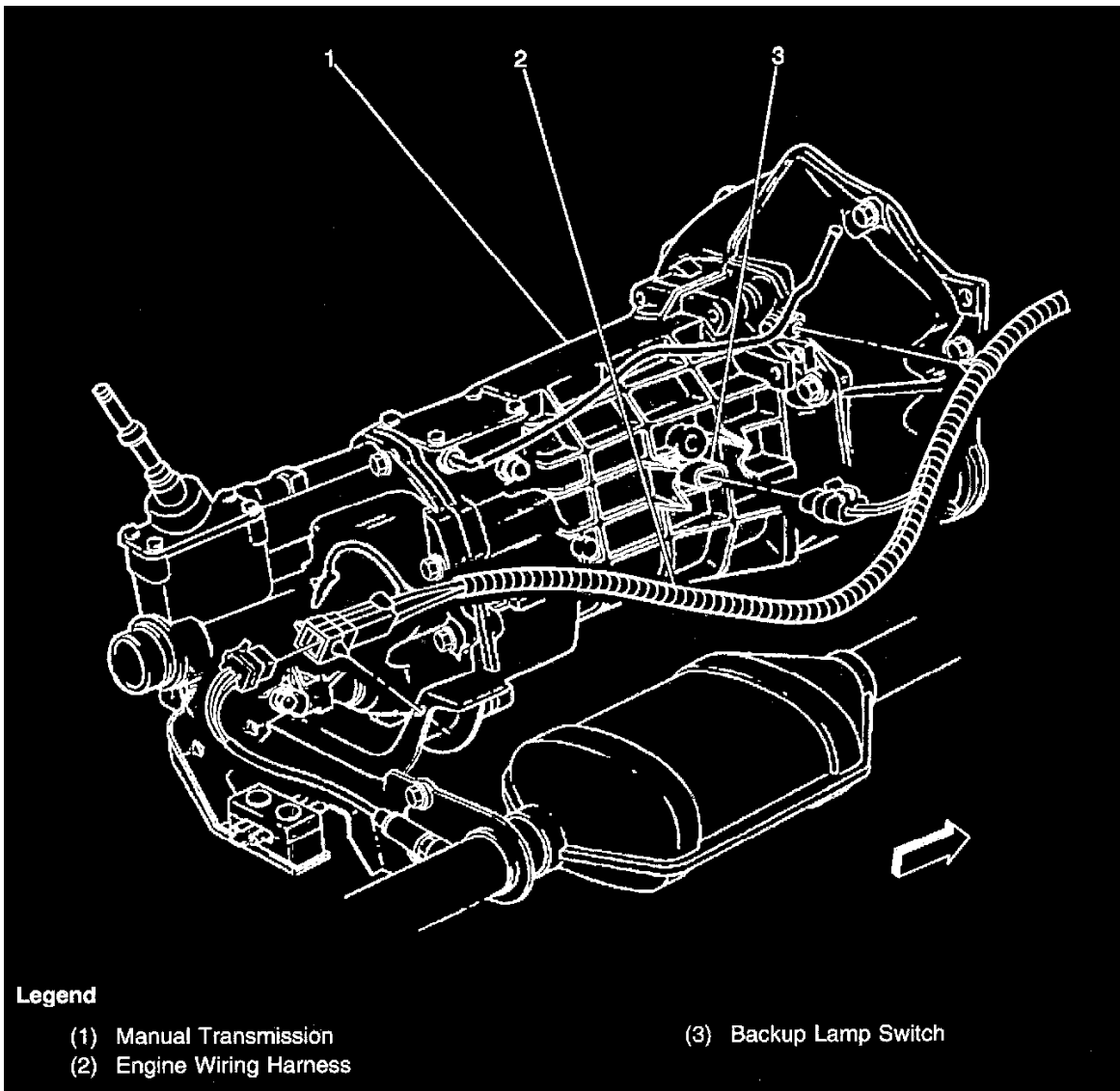


Locations View

Backup Lamp Switch



Locations View

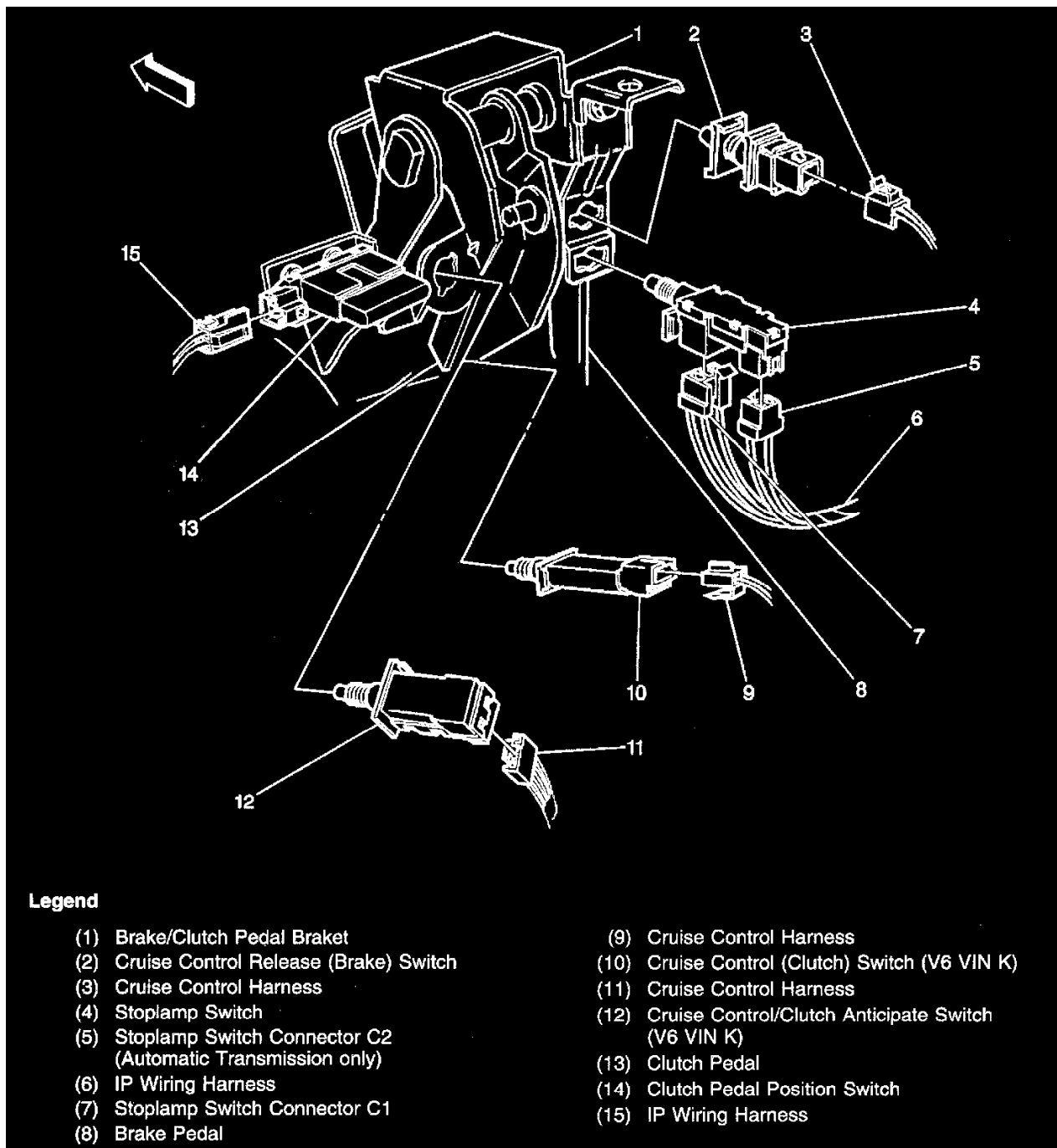


Locations View

Backup Lamp Switch (Transmission, Manual 6 Speed OD)

In the middle of the manual transmission, on the right side

Clutch Pedal Position (CPP) Switch



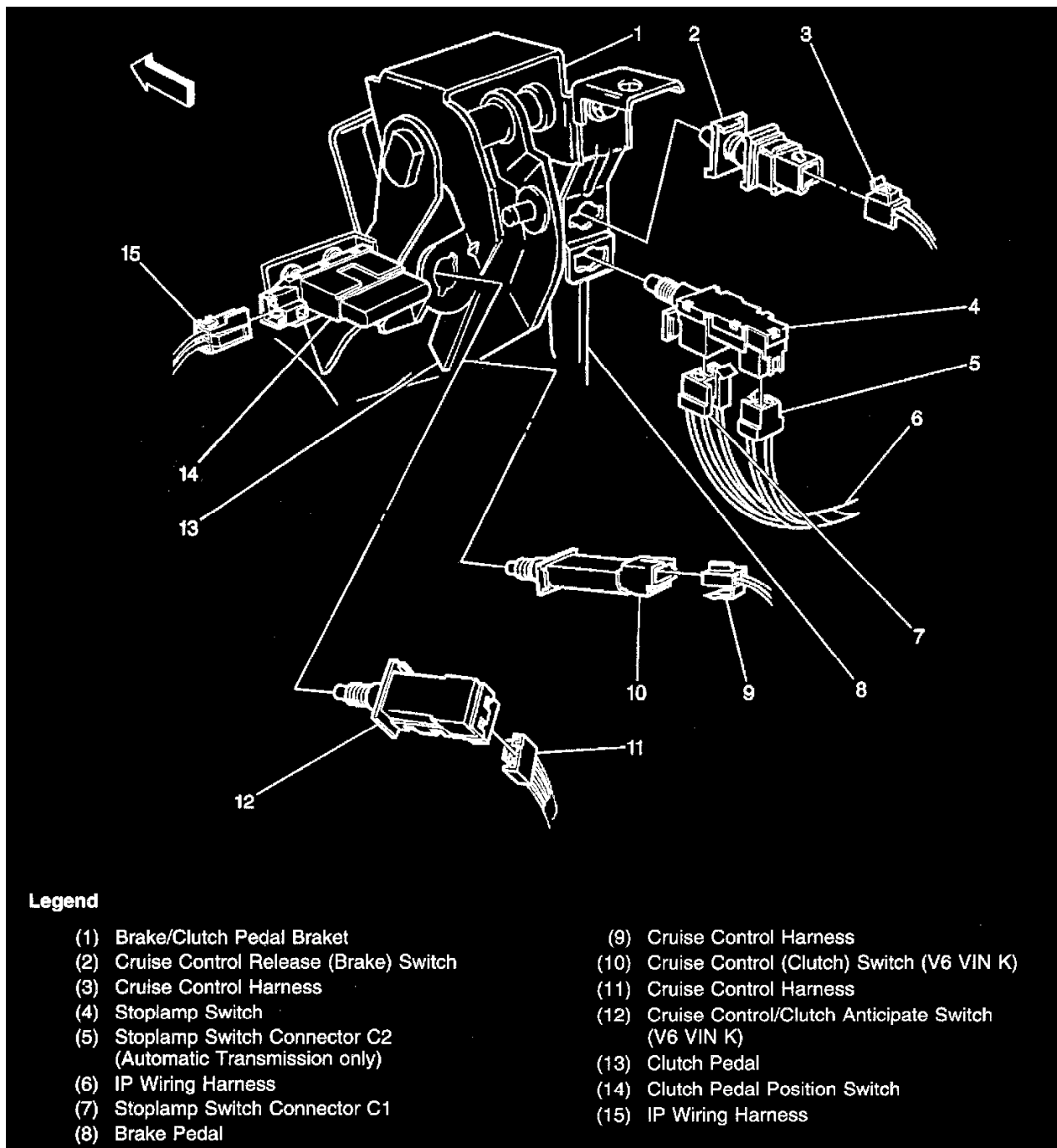
Locations View

Mounted to the clutch pedal bracket

Cruise Control (Clutch) Switch

Mounted in the clutch pedal bracket

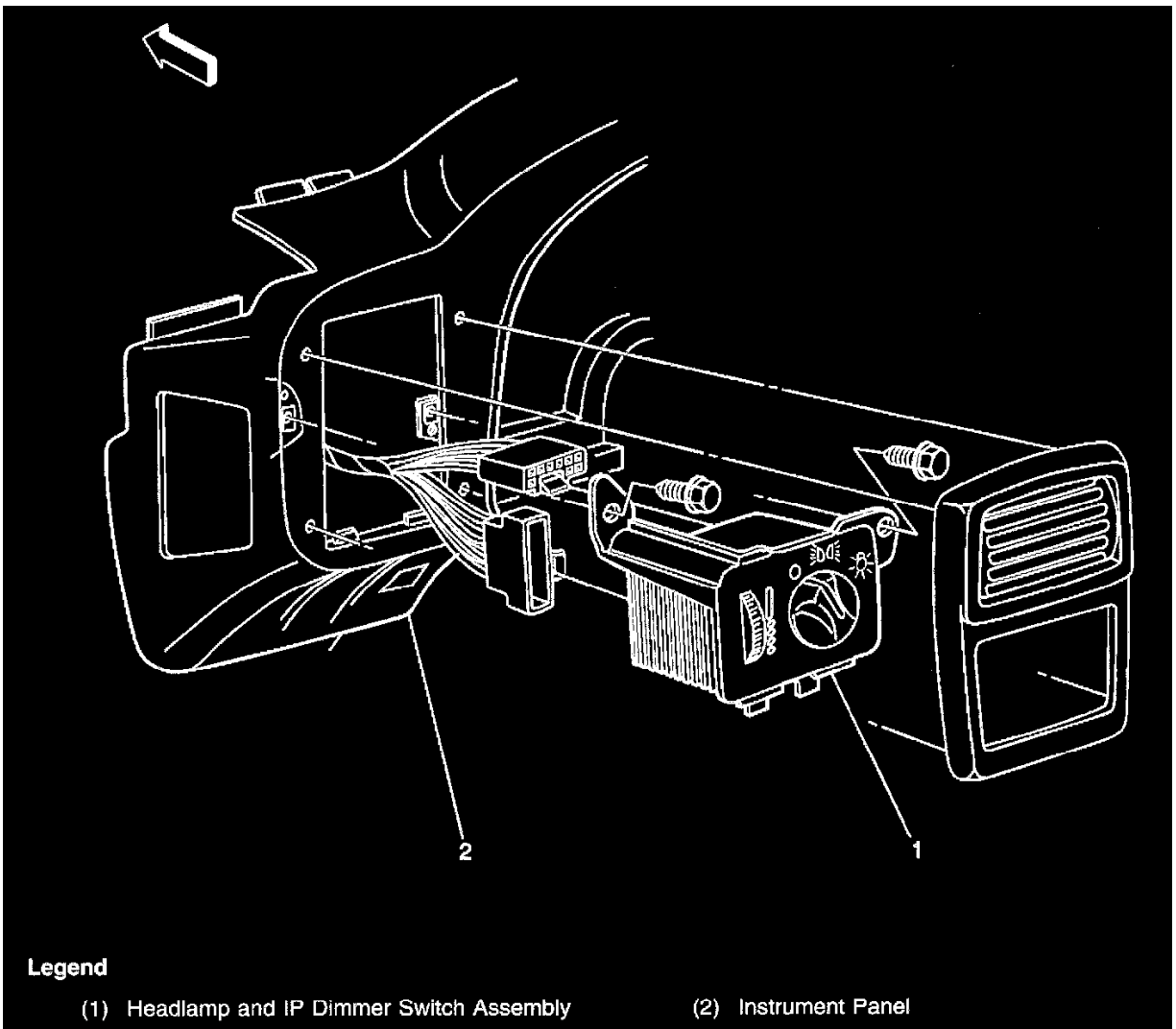
Cruise Control Release (Brake) Switch



Legend

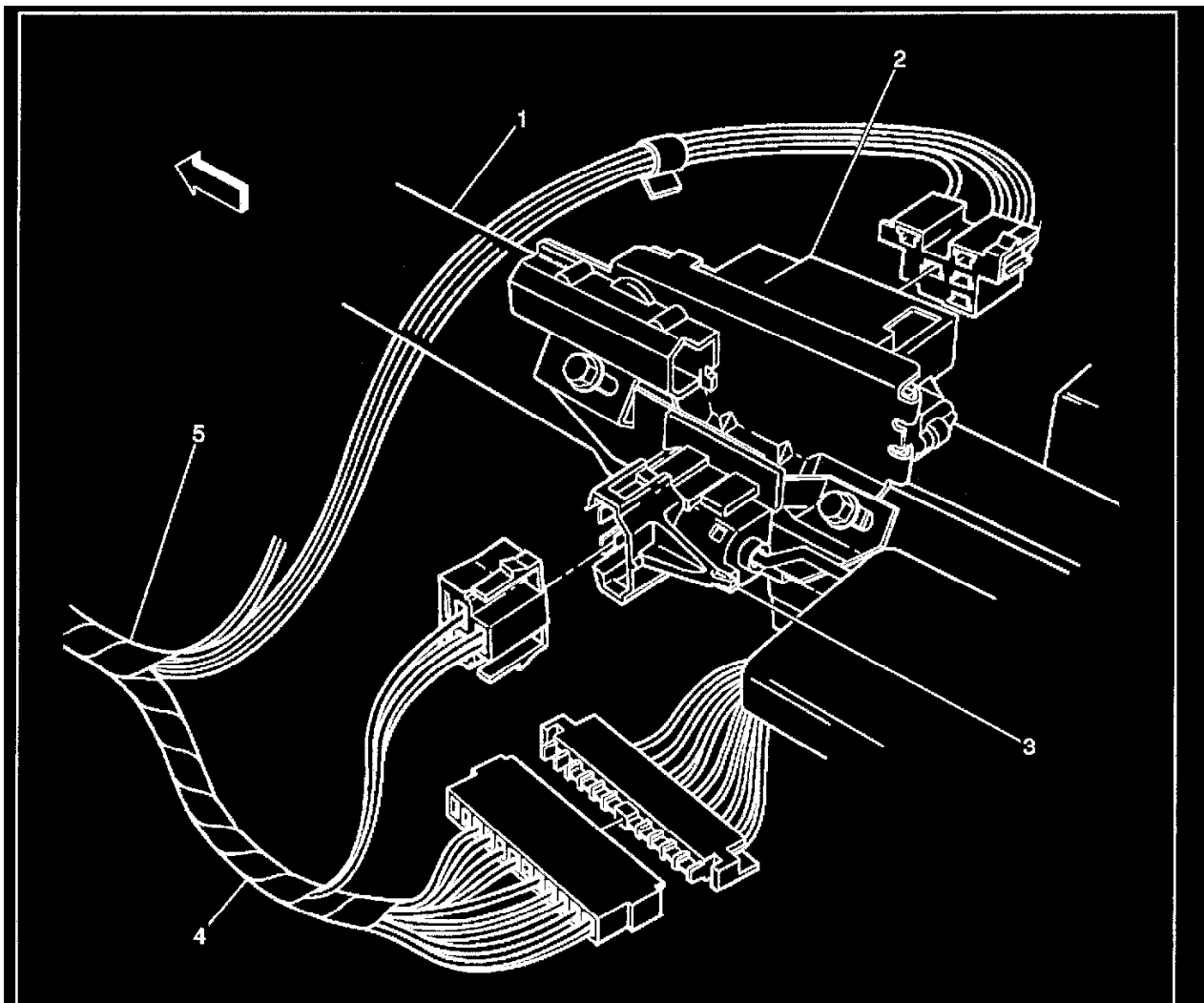
- | | |
|--|---|
| (1) Brake/Clutch Pedal Bracket | (9) Cruise Control Harness |
| (2) Cruise Control Release (Brake) Switch | (10) Cruise Control (Clutch) Switch (V6 VIN K) |
| (3) Cruise Control Harness | (11) Cruise Control Harness |
| (4) Stoplamp Switch | (12) Cruise Control/Clutch Anticipate Switch (V6 VIN K) |
| (5) Stoplamp Switch Connector C2 (Automatic Transmission only) | (13) Clutch Pedal |
| (6) IP Wiring Harness | (14) Clutch Pedal Position Switch |
| (7) Stoplamp Switch Connector C1 | (15) IP Wiring Harness |
| (8) Brake Pedal | |

Locations View



Locations View

Headlamp Dimmer Switch



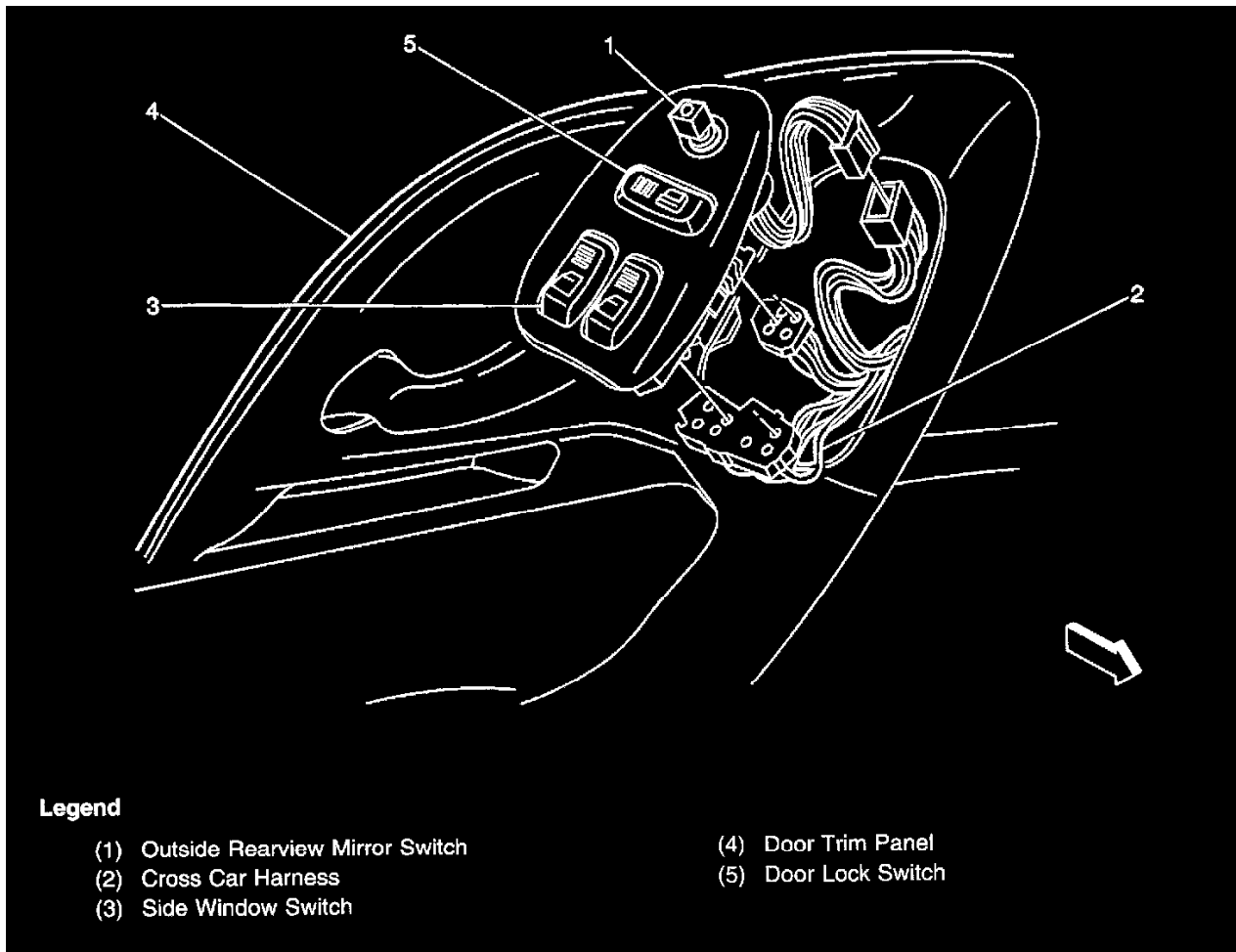
Legend

- (1) Steering Column
- (2) Ignition Switch
- (3) Headlamp Dimmer Switch
- (4) Isolation Diode (Wipers)
- (5) Forward Lamp Harness

Locations View - Base Of Steering Column

Part of the steering column, activated by the multi-function lever

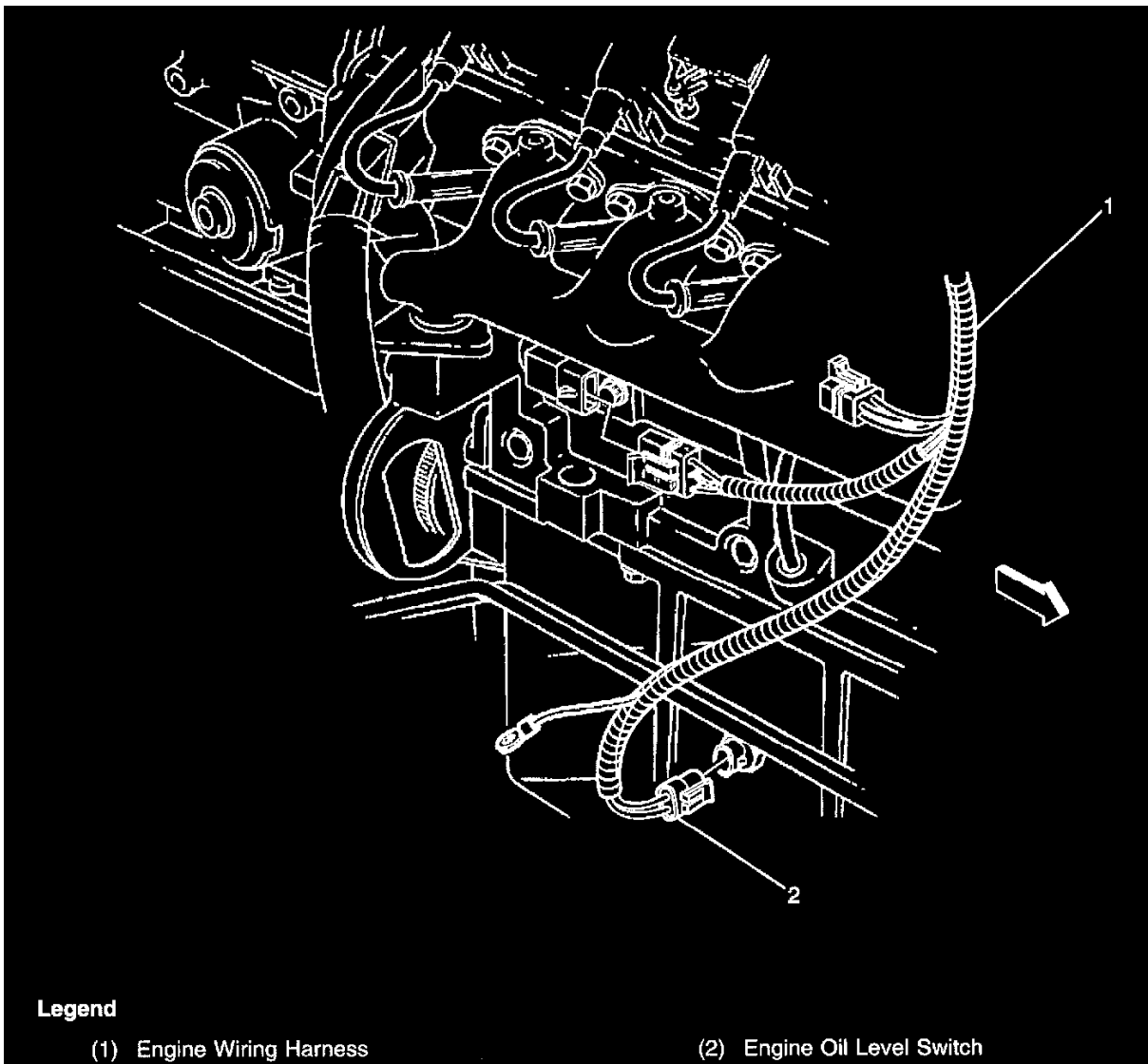
Door Lock Switch



Locations View

Mounted in the door armrest

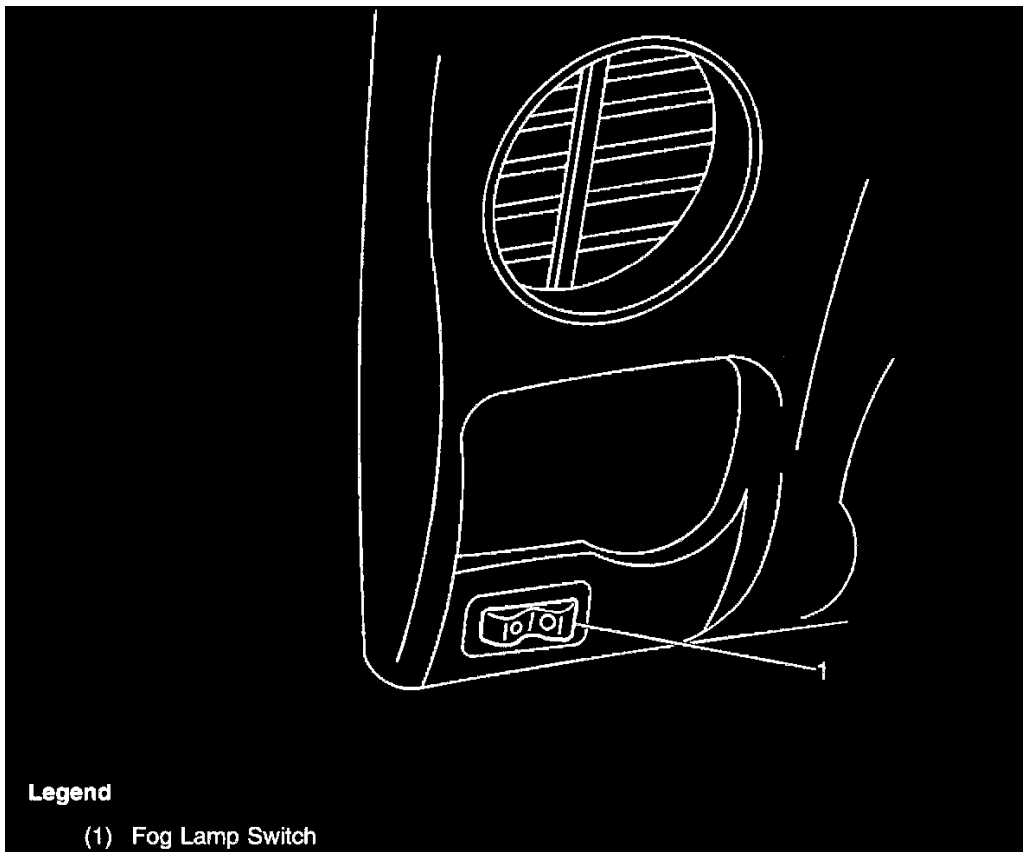
Engine Oil Level Switch



Locations View

On the lower right side of the engine, in the oil pan

Fog Lamp Switch

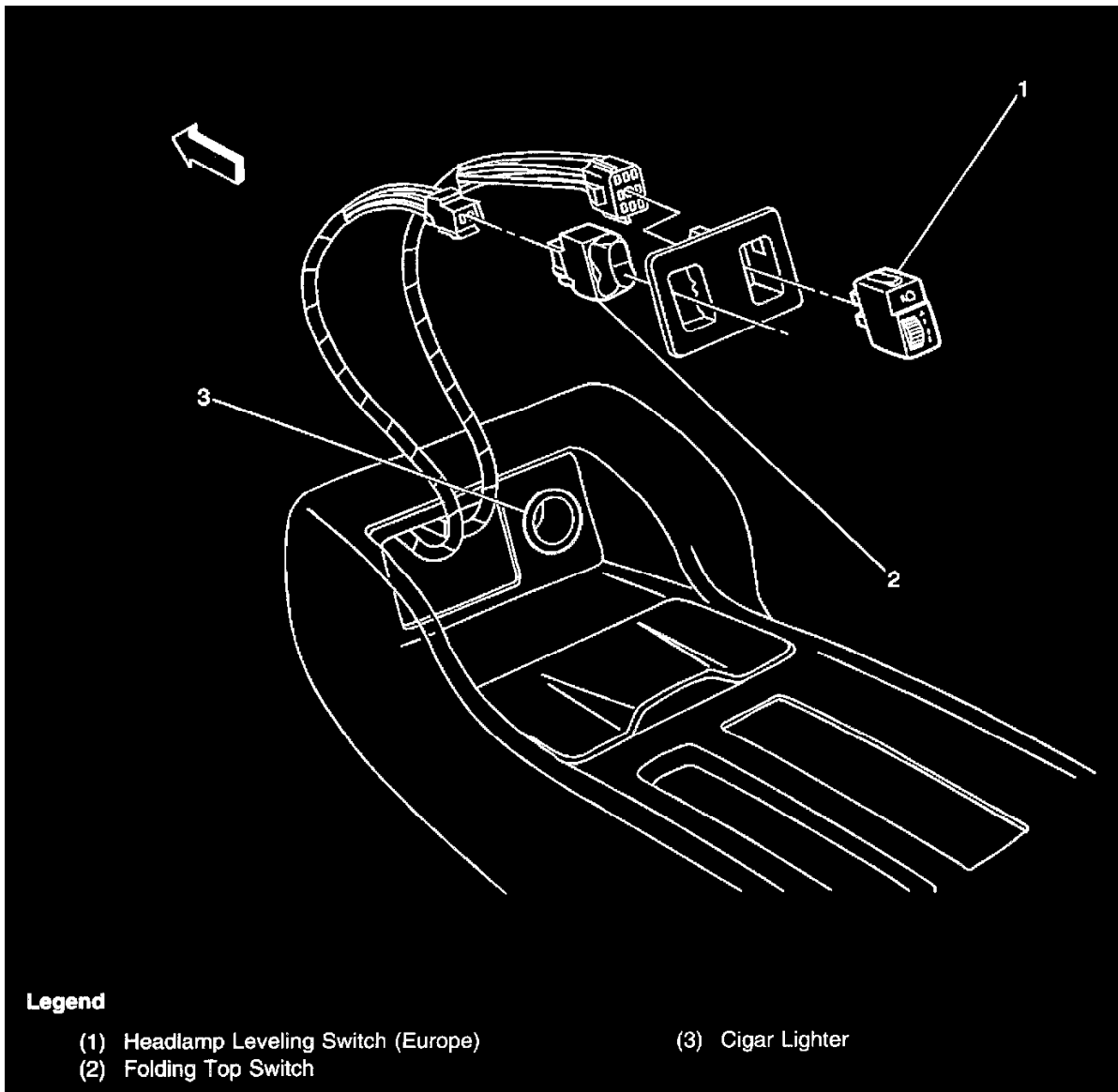


Locations View

(Europe) In the center of the IP, above the HVAC control

On the Lower left and right side of the front fascia

Folding Top Switch



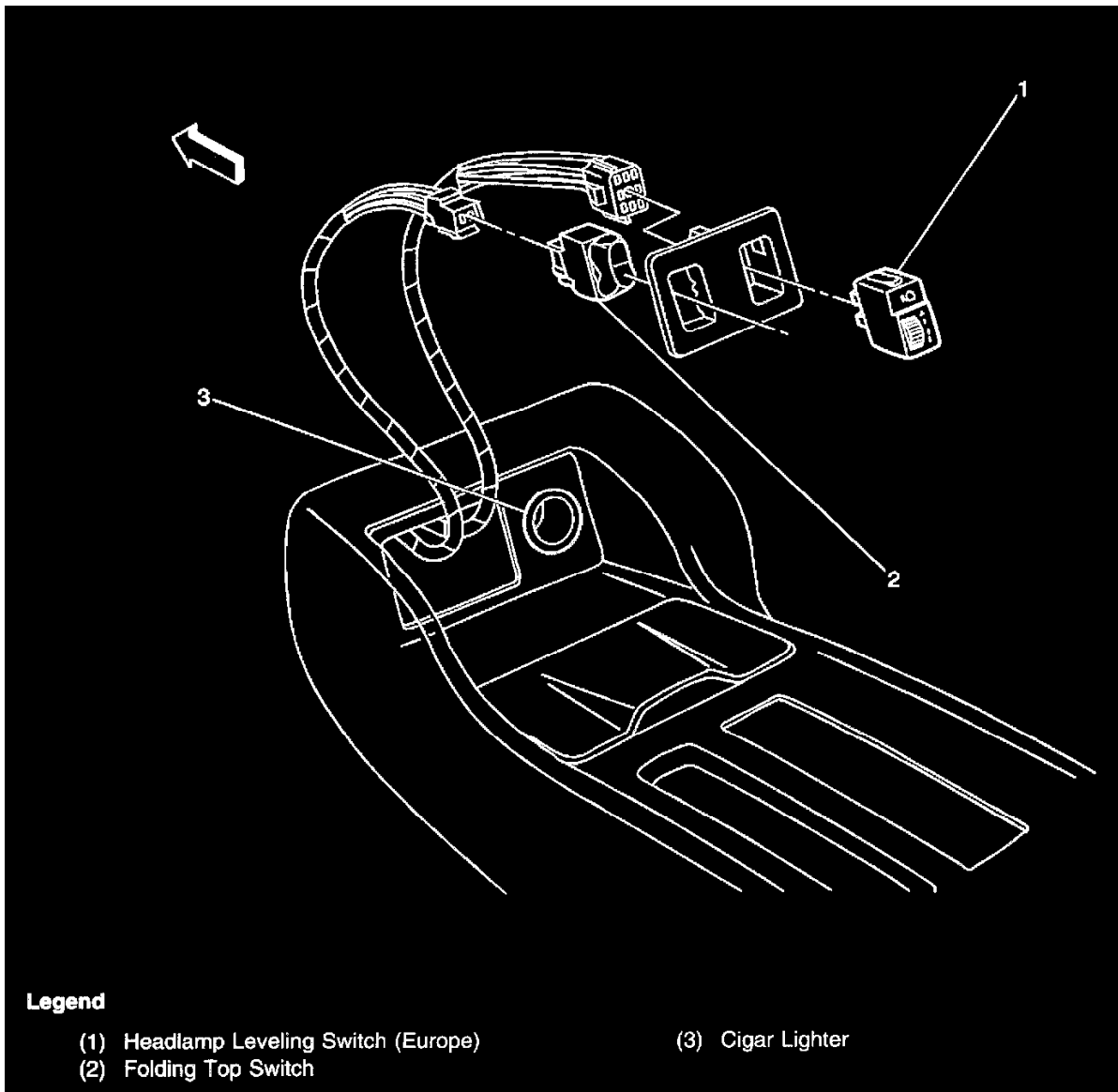
Locations View

On the left side of the upper console

Hazard Warning Switch

Mounted on the right side of the steering column

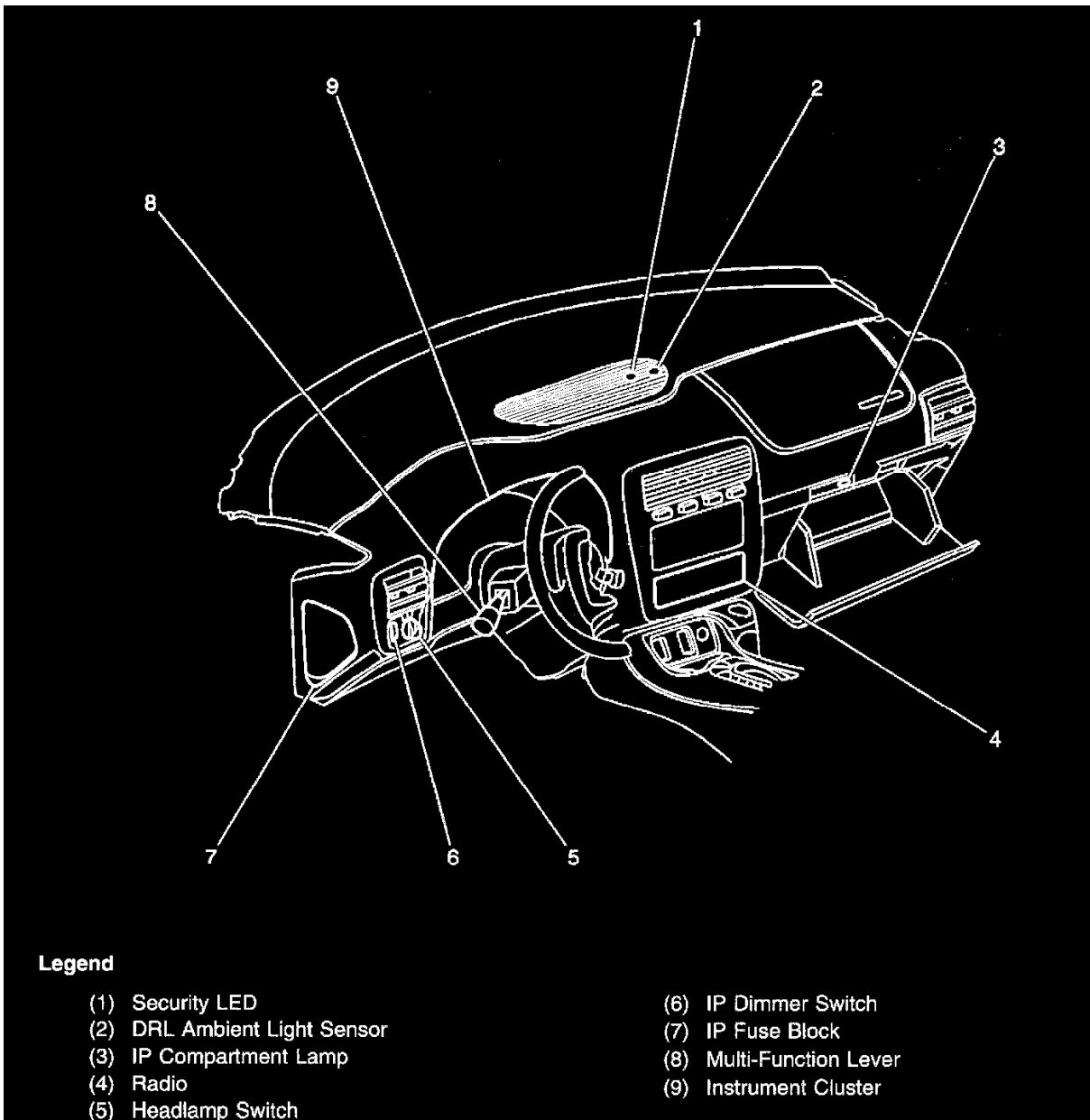
Headlamp Leveling Switch (Europe)



Locations View

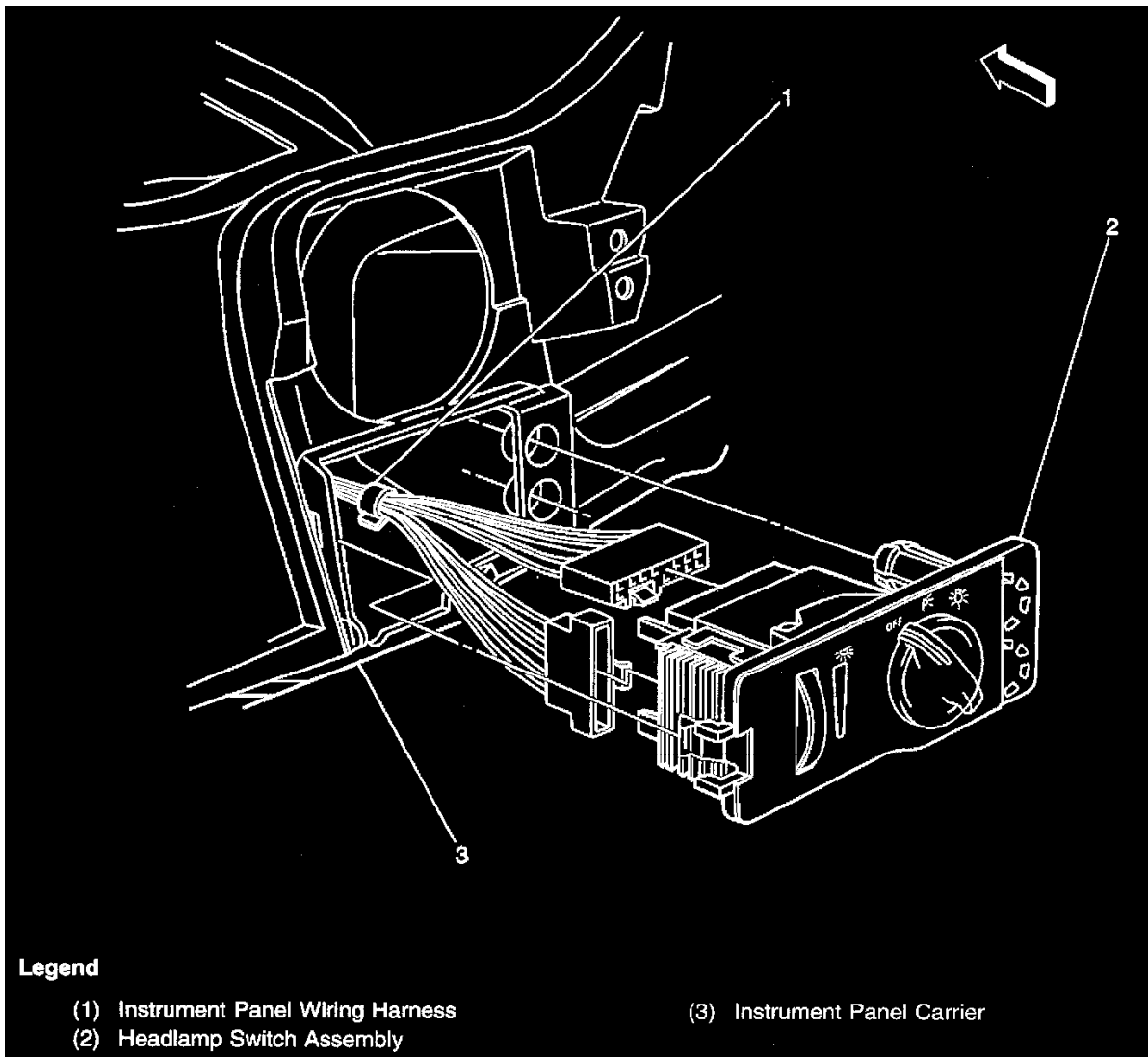
On the left side of the upper console

Headlamp Switch



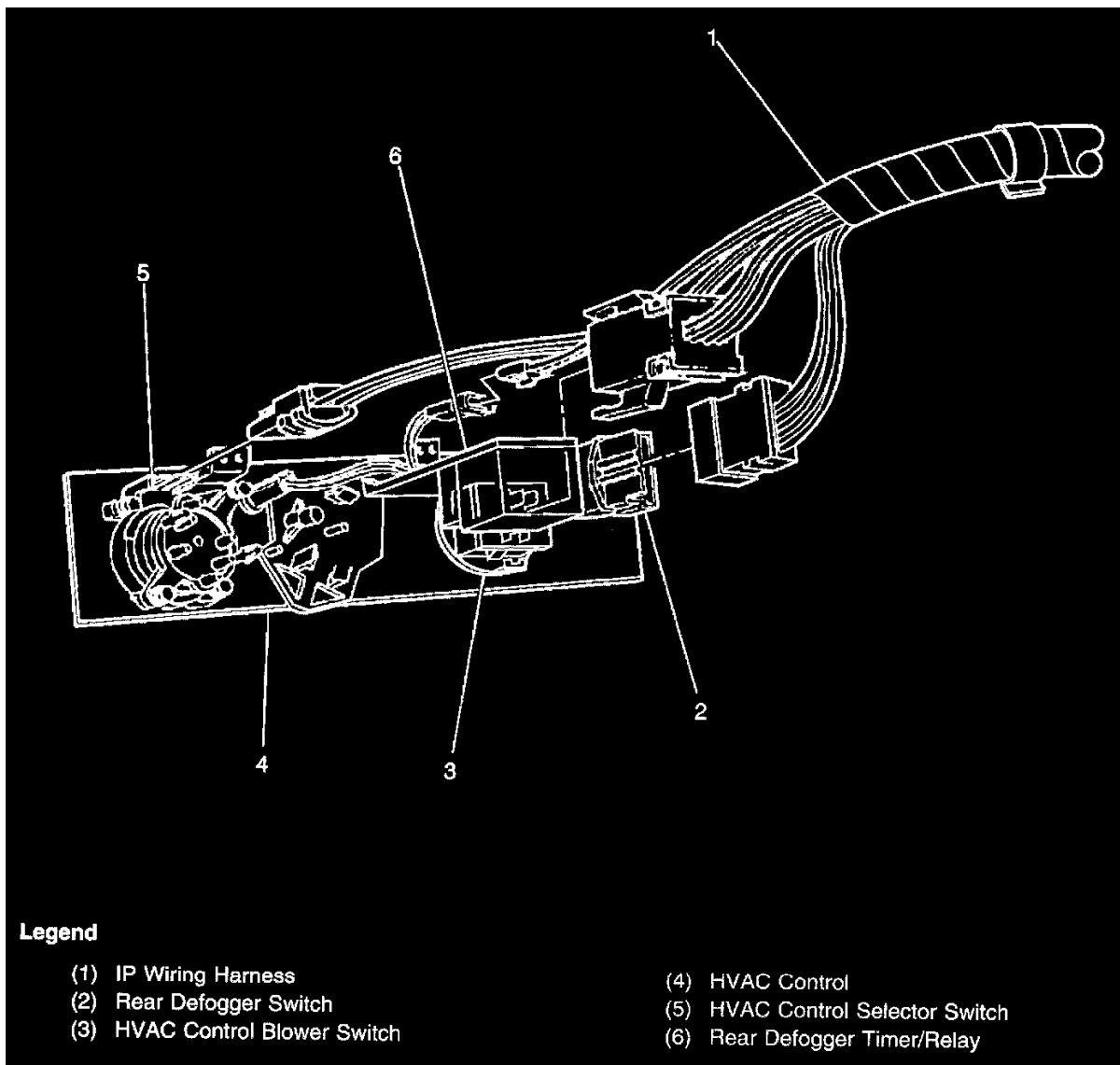
Locations View

On the left side of the IP

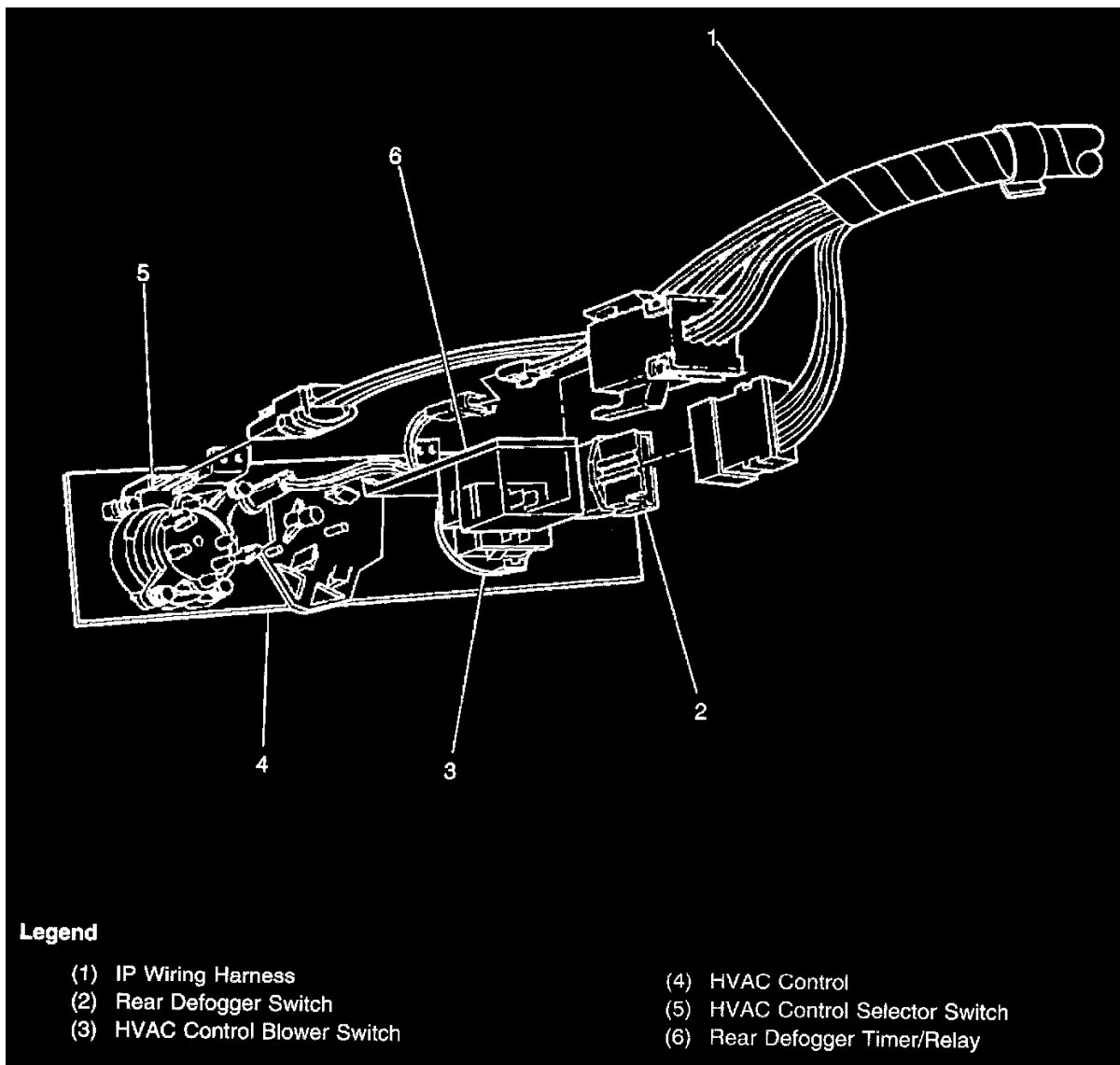


Locations View

Horn Switch
In the steering wheel



Locations View



Legend

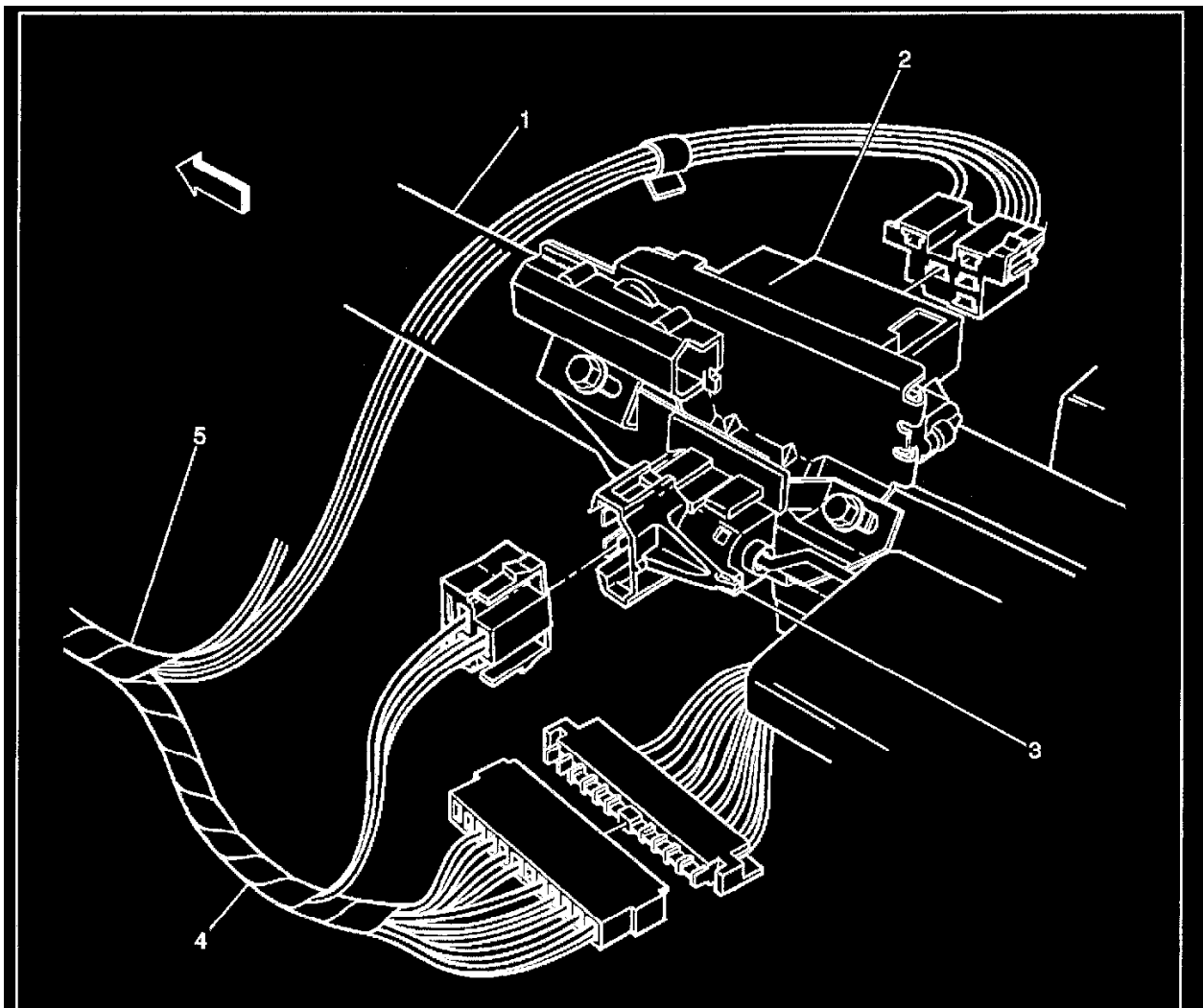
- (1) IP Wiring Harness
- (2) Rear Defogger Switch
- (3) HVAC Control Blower Switch
- (4) HVAC Control
- (5) HVAC Control Selector Switch
- (6) Rear Defogger Timer/Relay

Locations View

Ignition Key Warning Switch

Part of the ignition key lock cylinder

Ignition Switch



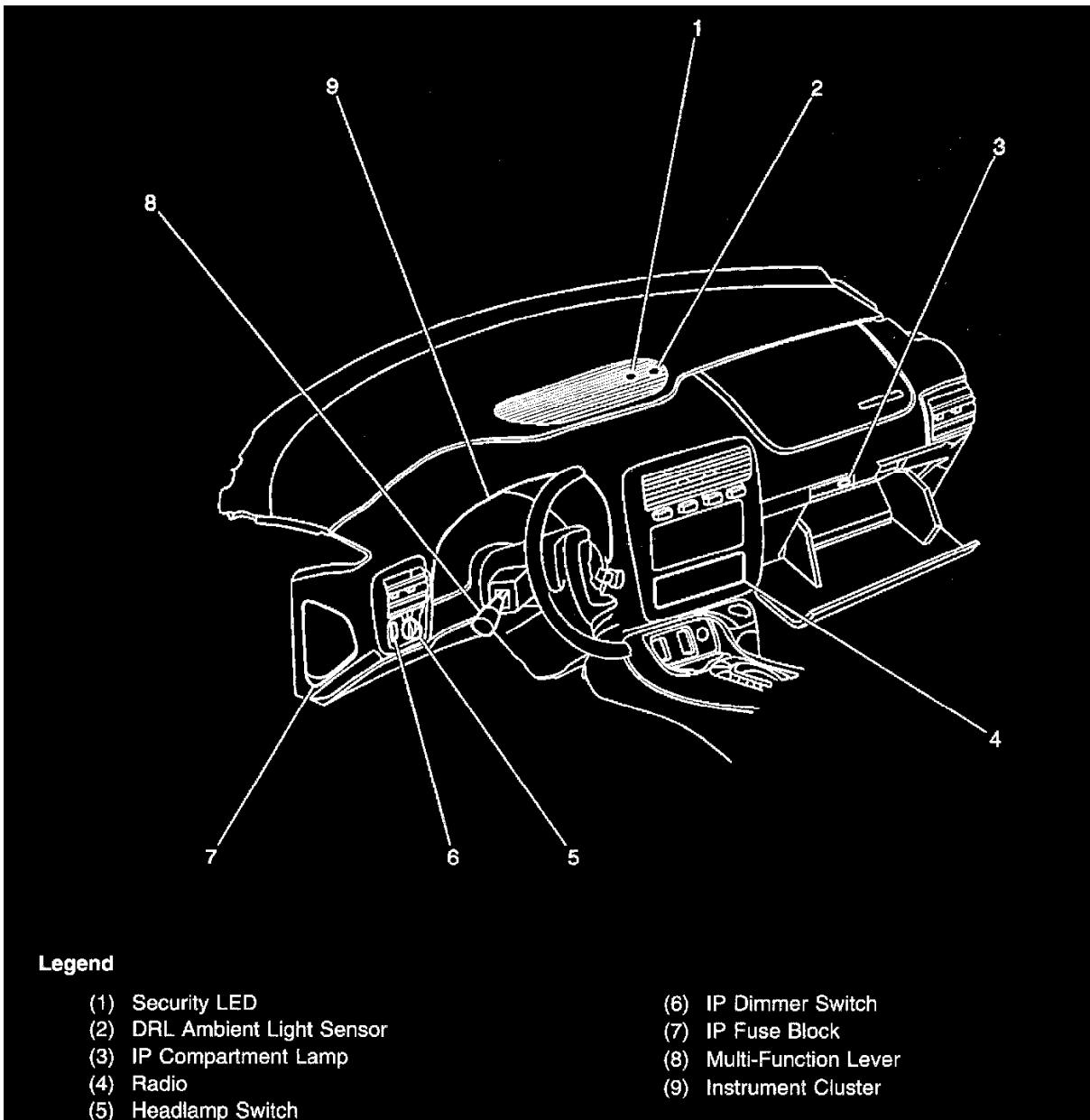
Legend

- (1) Steering Column
- (2) Ignition Switch
- (3) Headlamp Dimmer Switch
- (4) Isolation Diode (Wipers)
- (5) Forward Lamp Harness

Locations View - Base Of Steering Column

Mounted near the base of the steering column.

IP Dimmer Switch



Locations View

Left of the steering wheel, part of the headlamp switch

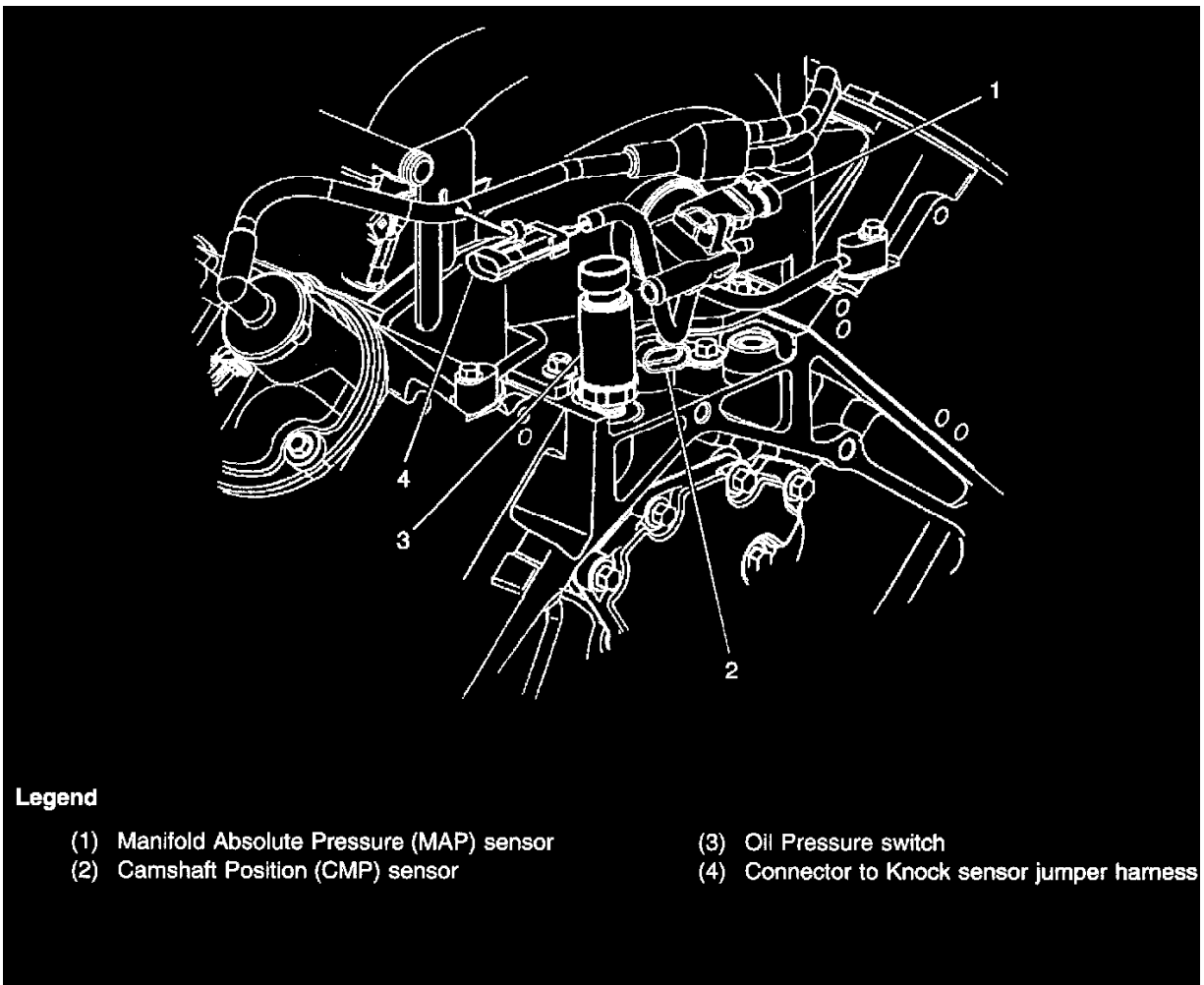
Left of the steering wheel, part of the IP

Lumbar Adjuster Switch, Driver

On the left side of the driver seat

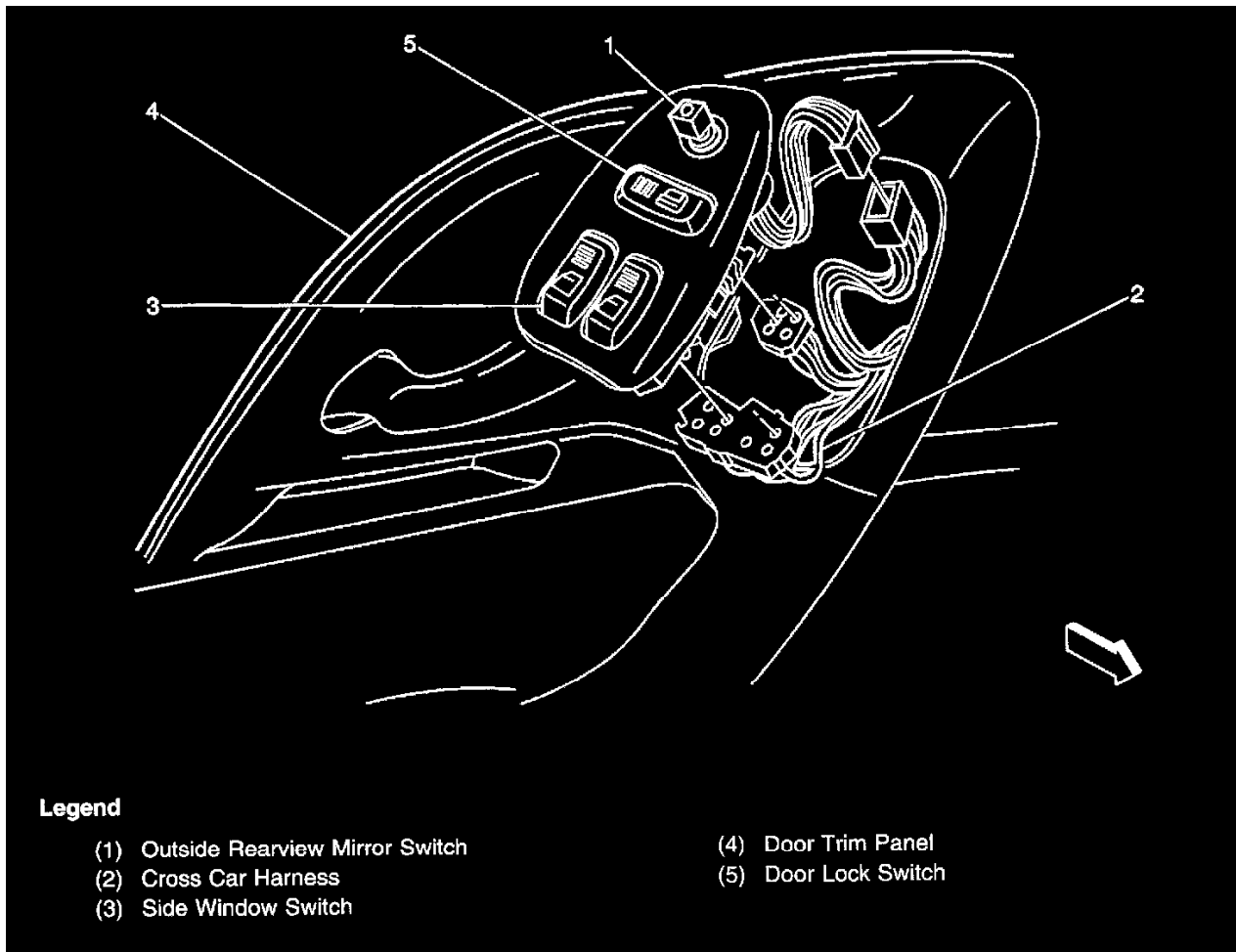
Lumbar Adjuster Switch, Passenger

On the right side of the passenger seat



Locations View

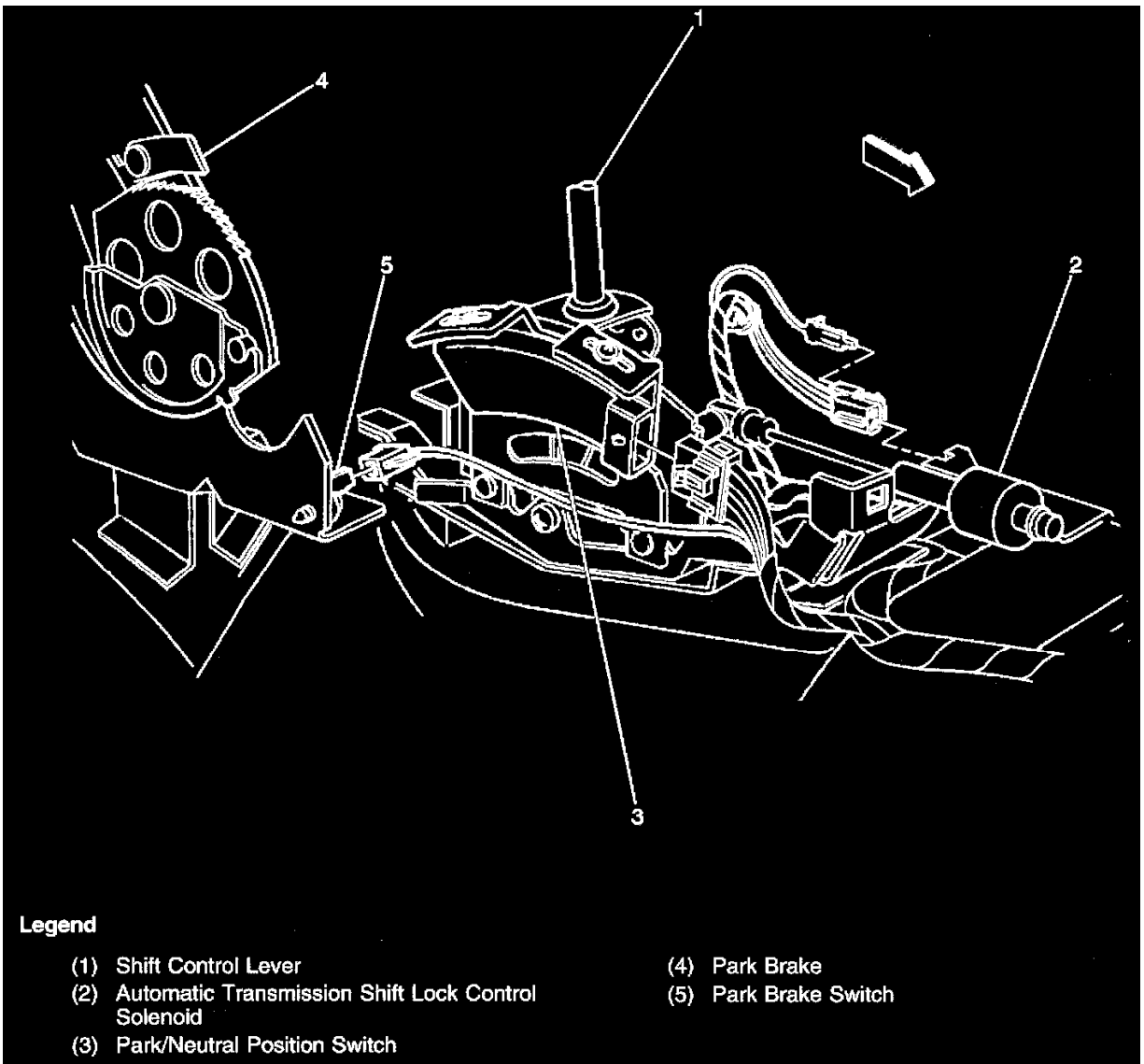
Outside Rearview Mirror Switch



Locations View

Mounted in the door armrest

Park Brake Switch

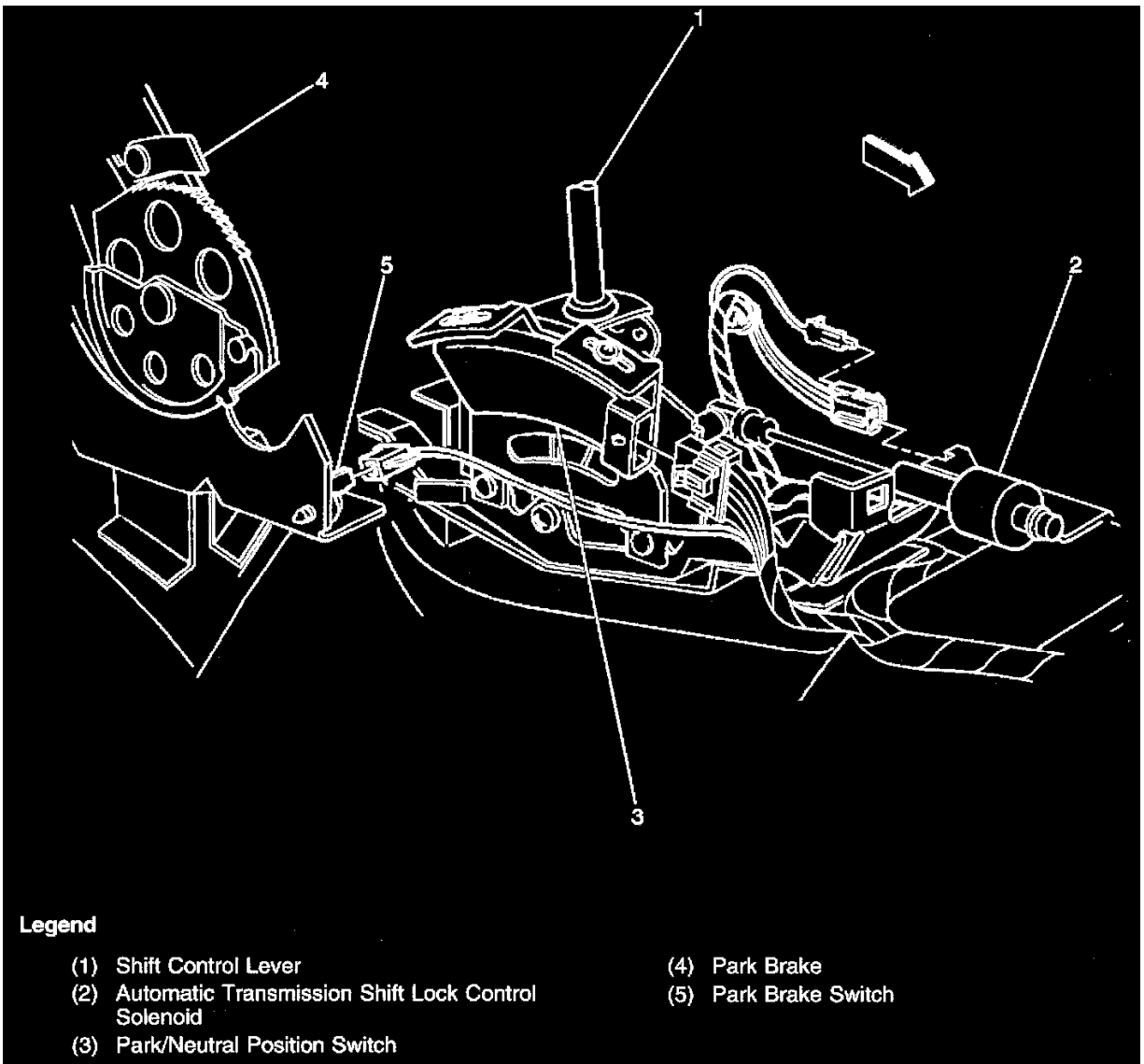


Legend

- | | |
|--|-----------------------|
| (1) Shift Control Lever | (4) Park Brake |
| (2) Automatic Transmission Shift Lock Control Solenoid | (5) Park Brake Switch |
| (3) Park/Neutral Position Switch | |

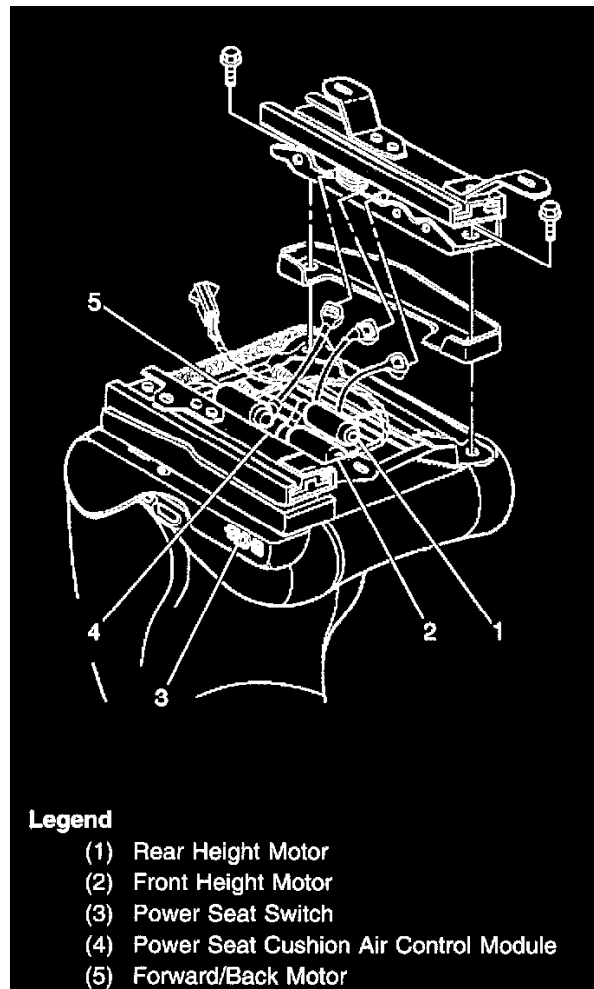
Locations View

Below the center console, at the base of the park brake lever



Locations View

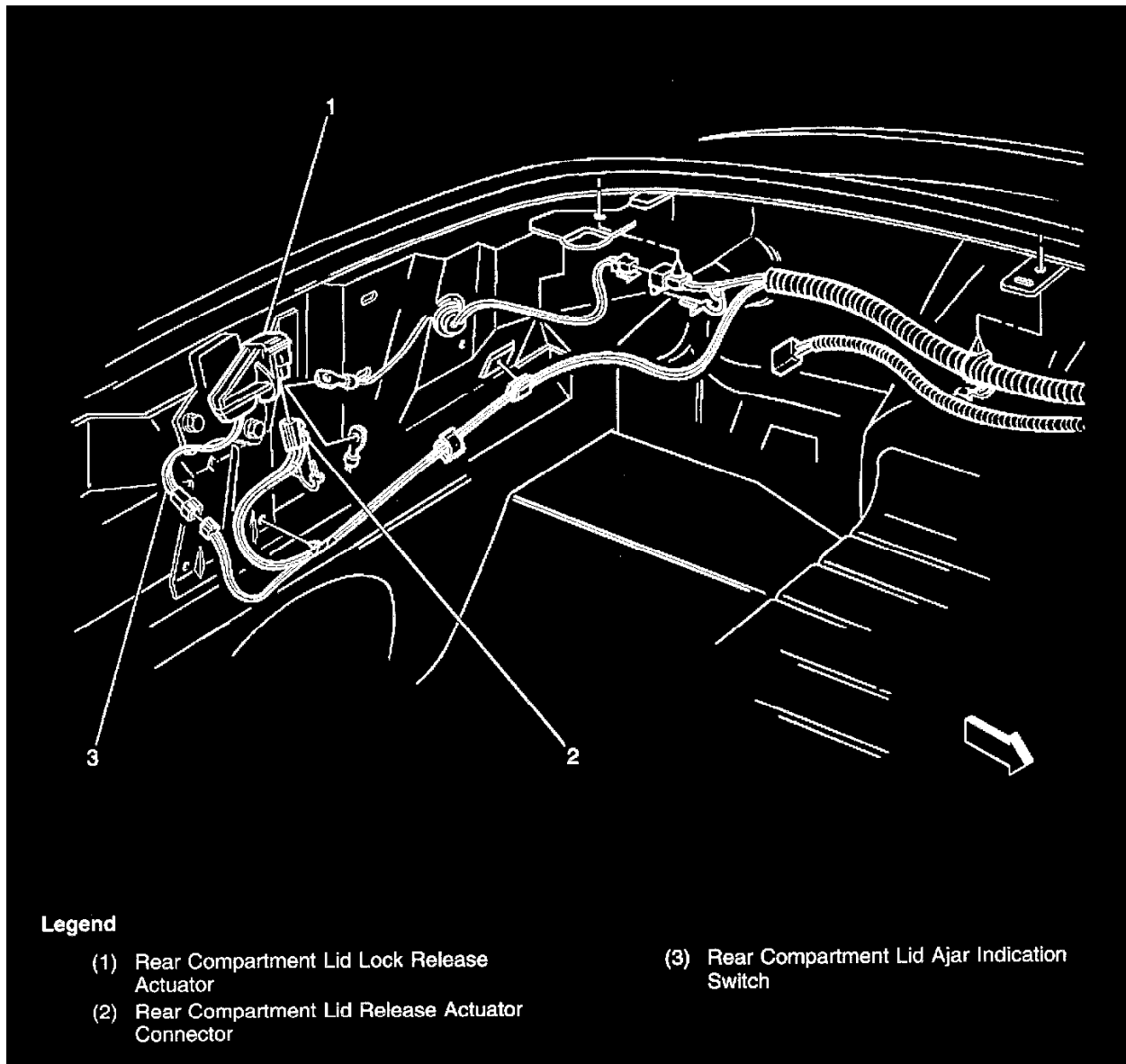
Power Seat Switch



Locations View

On the left side of the driver seat

Rear Compartment Lid Ajar Indicator Switch



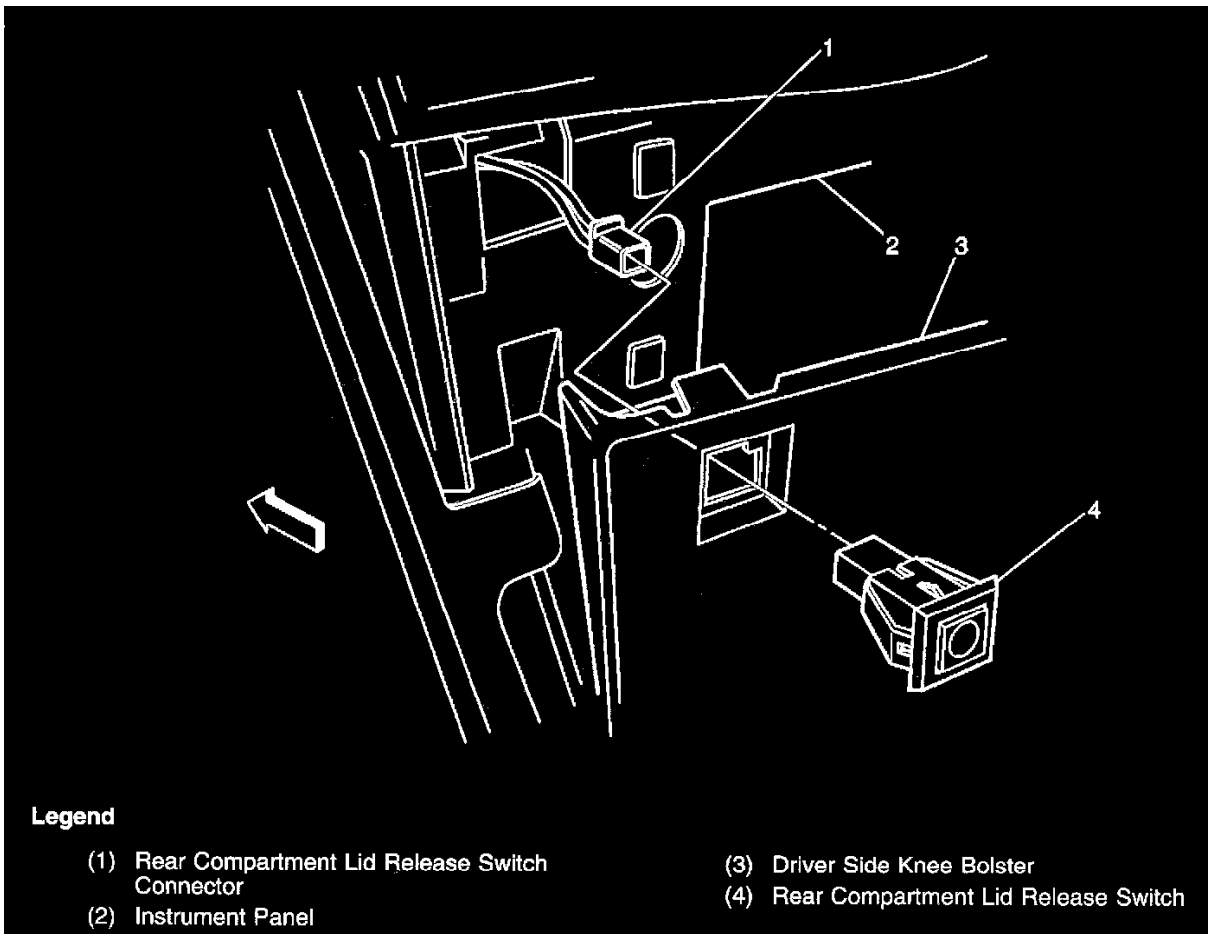
Legend

- (1) Rear Compartment Lid Lock Release Actuator
- (2) Rear Compartment Lid Release Actuator Connector
- (3) Rear Compartment Lid Ajar Indication Switch

Locations View

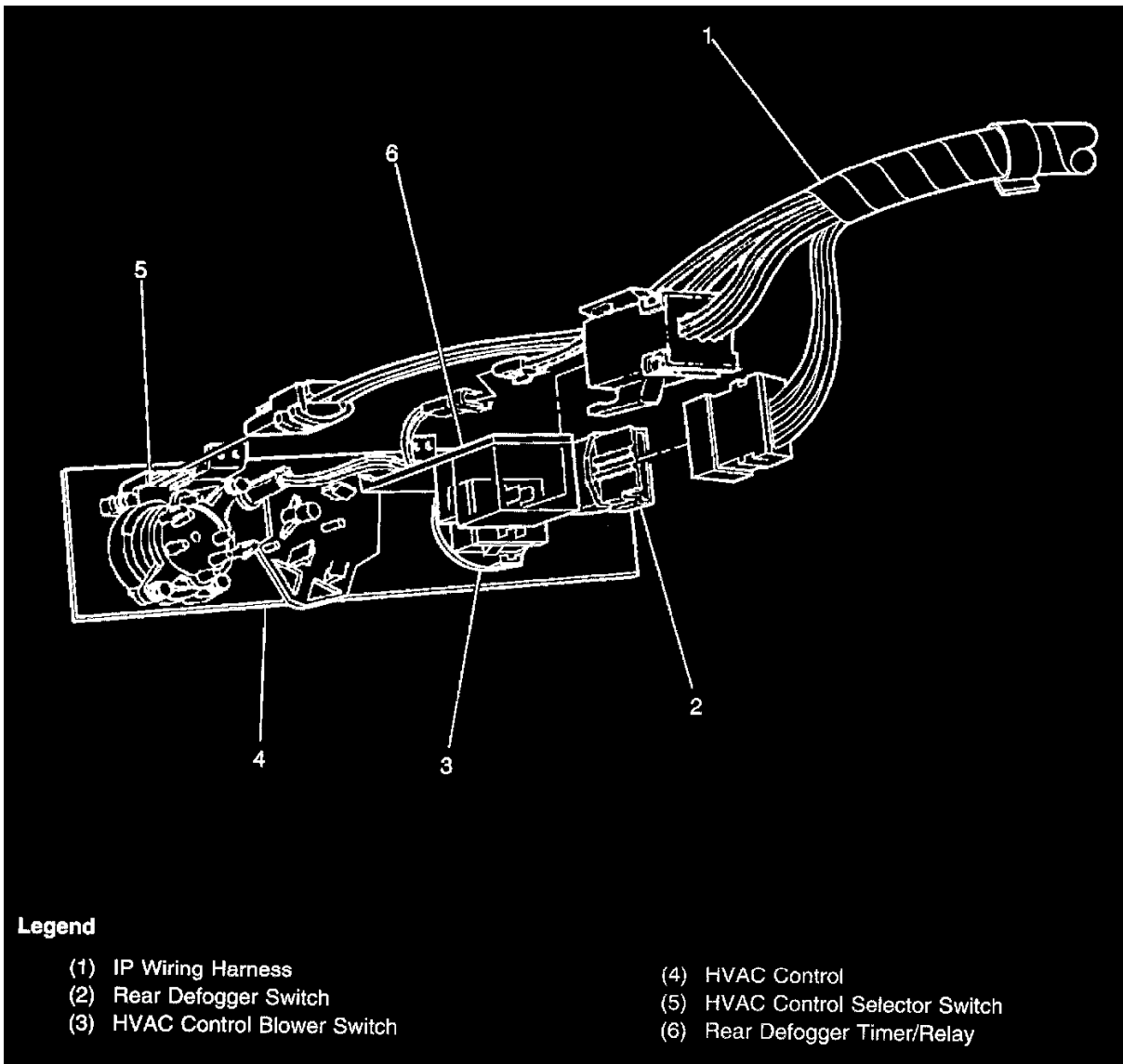
Part of the rear compartment lid latch

Rear Compartment Lid Release Switch



Locations View

In the driver knee bolster, left of the steering column

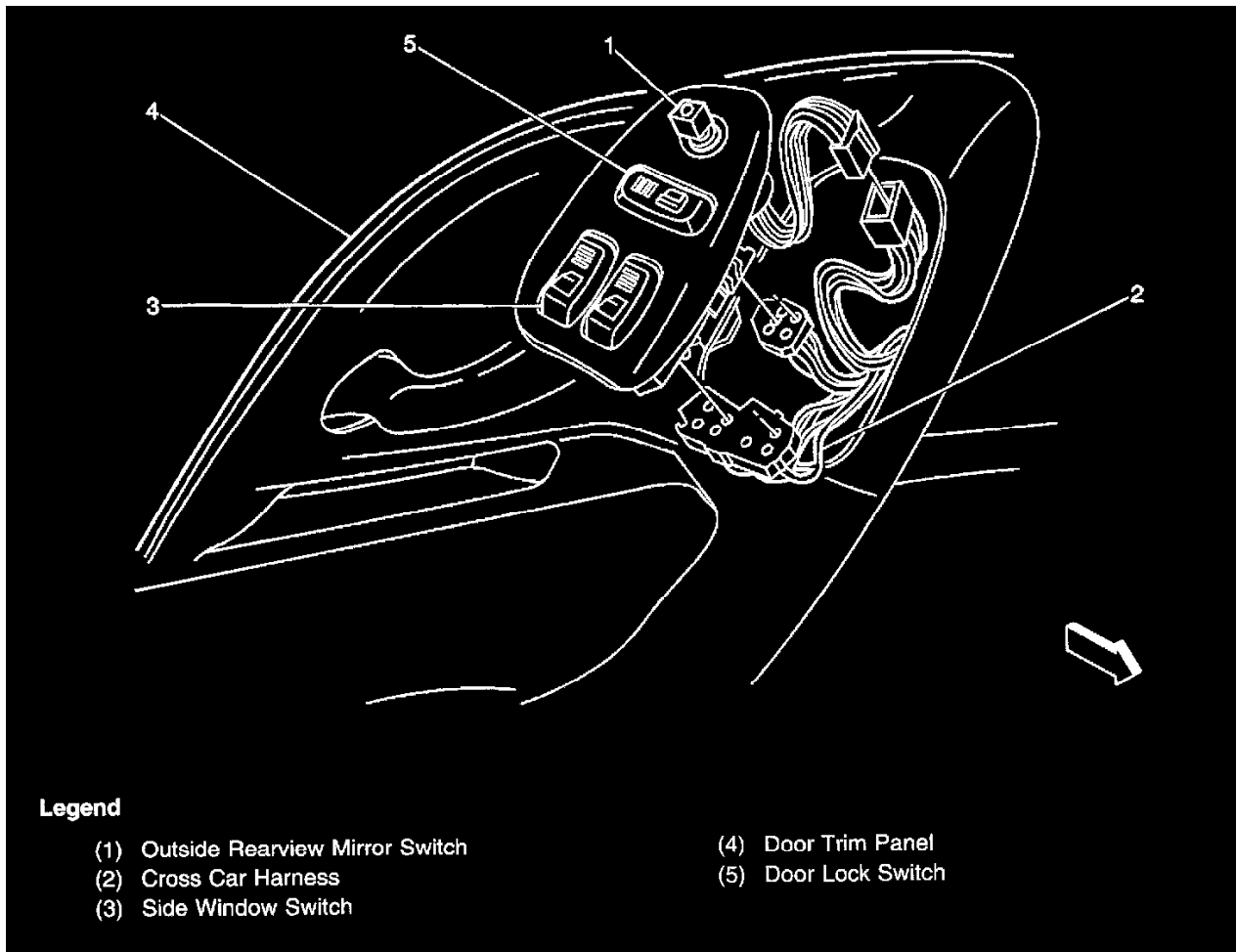


Locations View

Seat Belt Switch

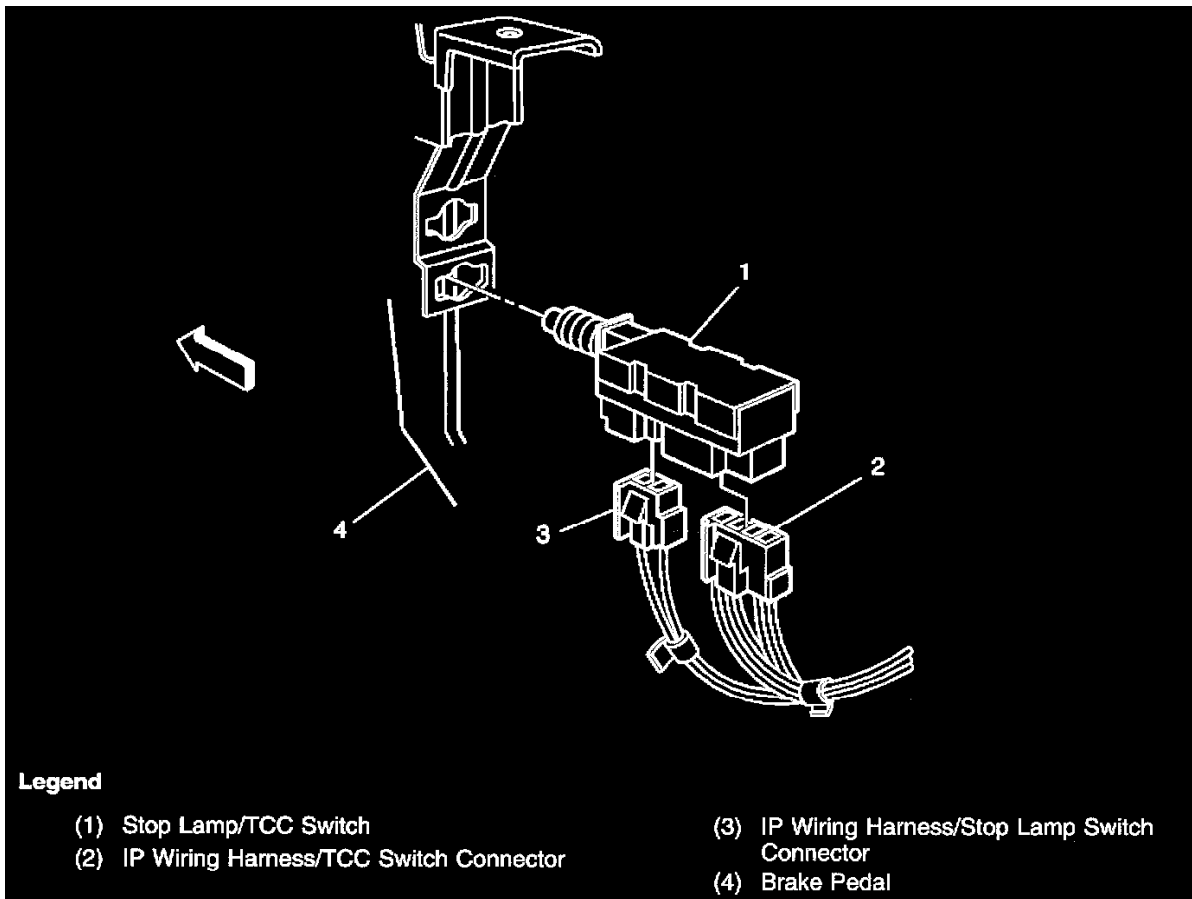
Part of the driver seat buckle assembly

Side Window Switch



Locations View

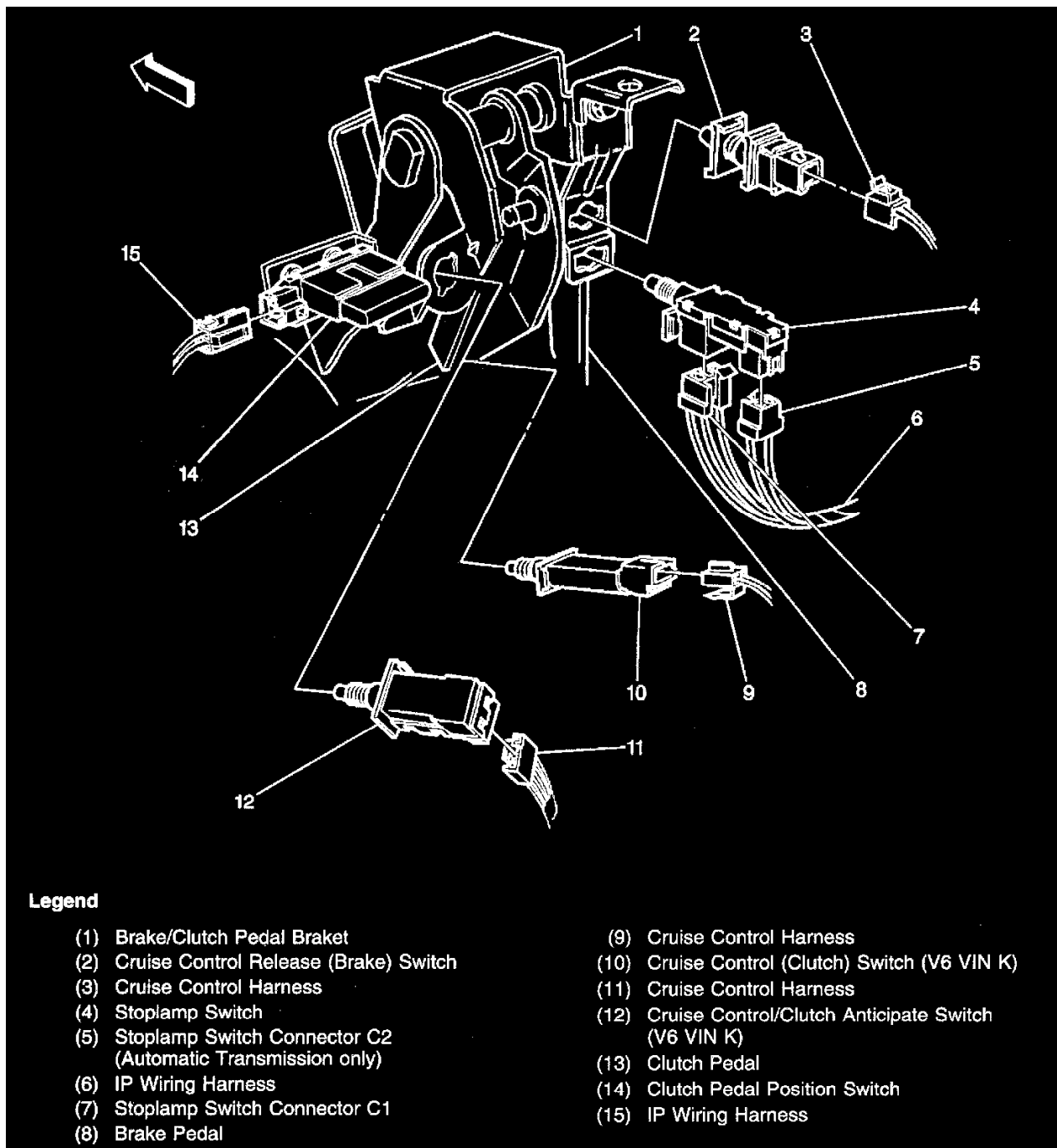
Mounted in the door arm rest



Locations View

Stop Lamp/TCC Switch (Automatic)

Mounted on the brake pedal bracket



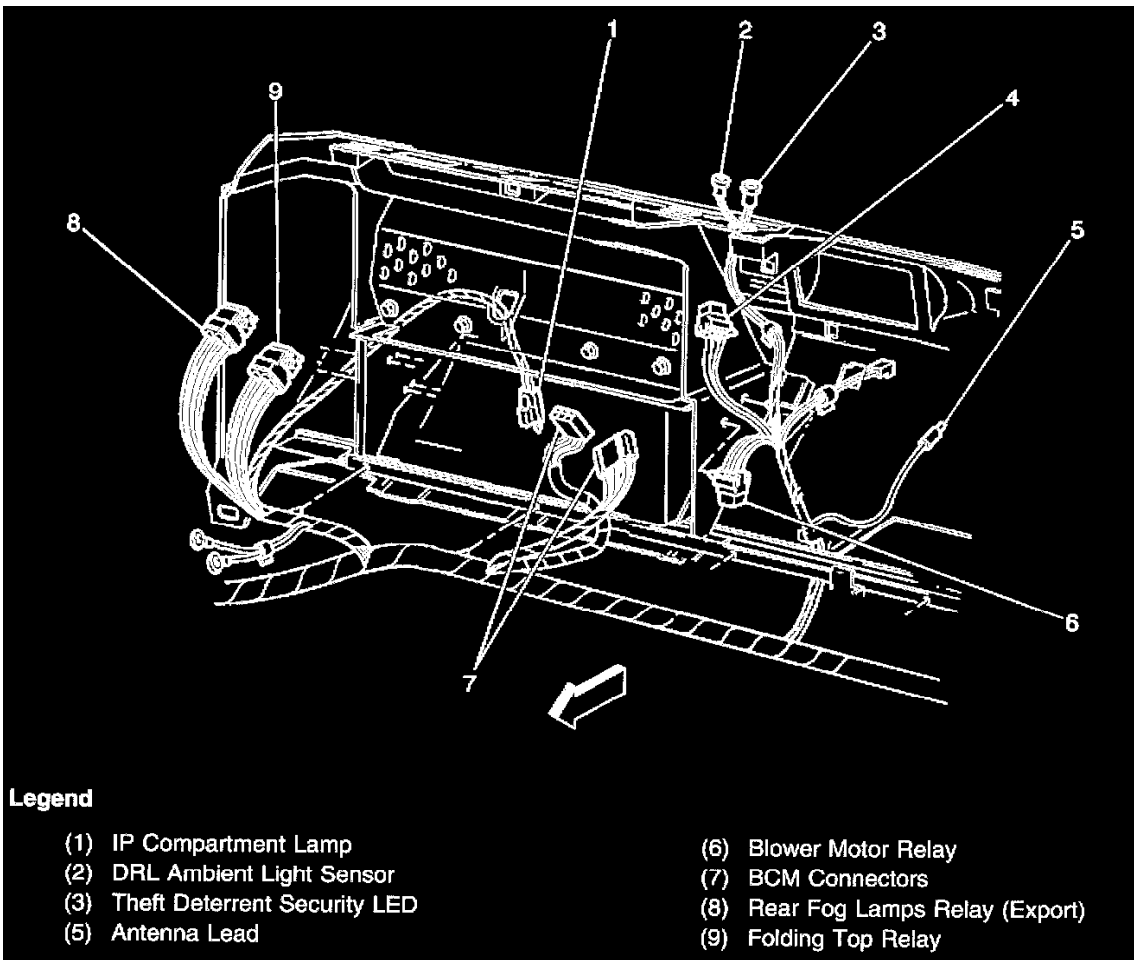
Locations View

Turn/Hazard Switch Assembly

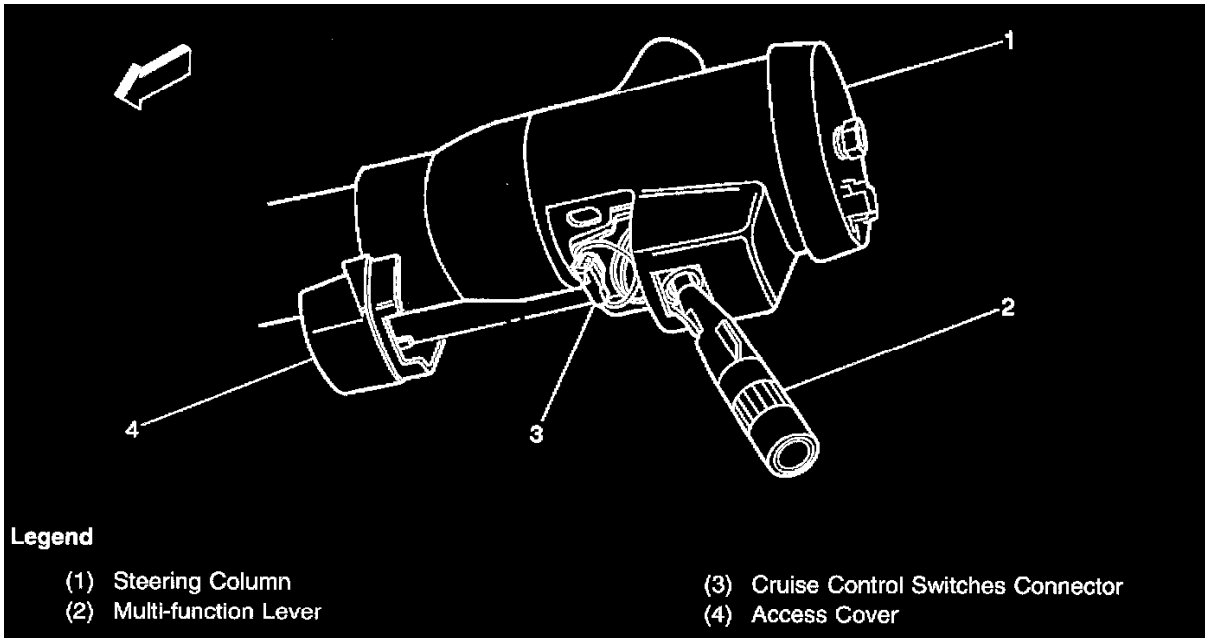
On the left side of the steering column, part of the multi-function lever

Wipers/Washer Switch

In the left side of the steering column, actuated by the multi-function lever

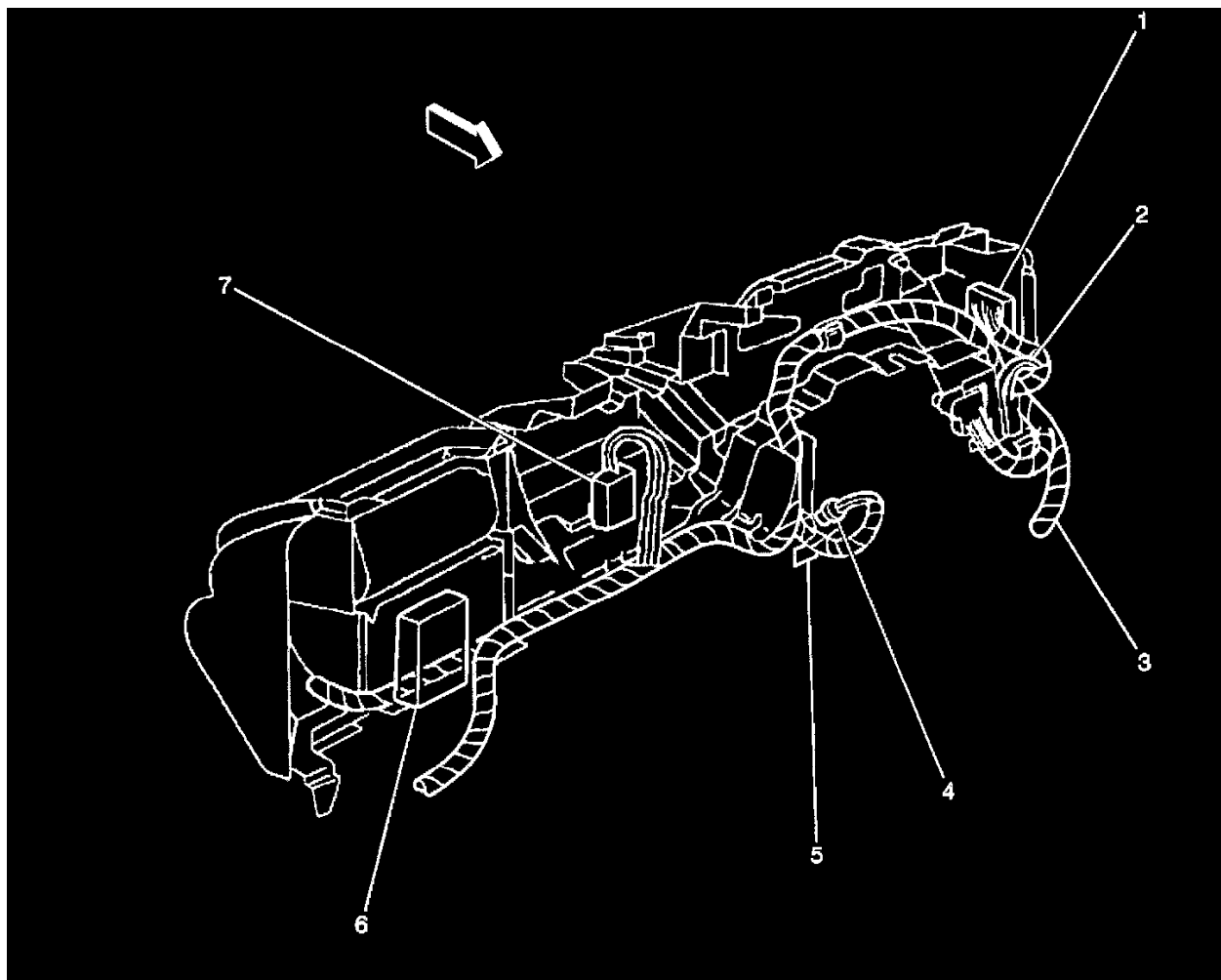


Locations View



Locations View

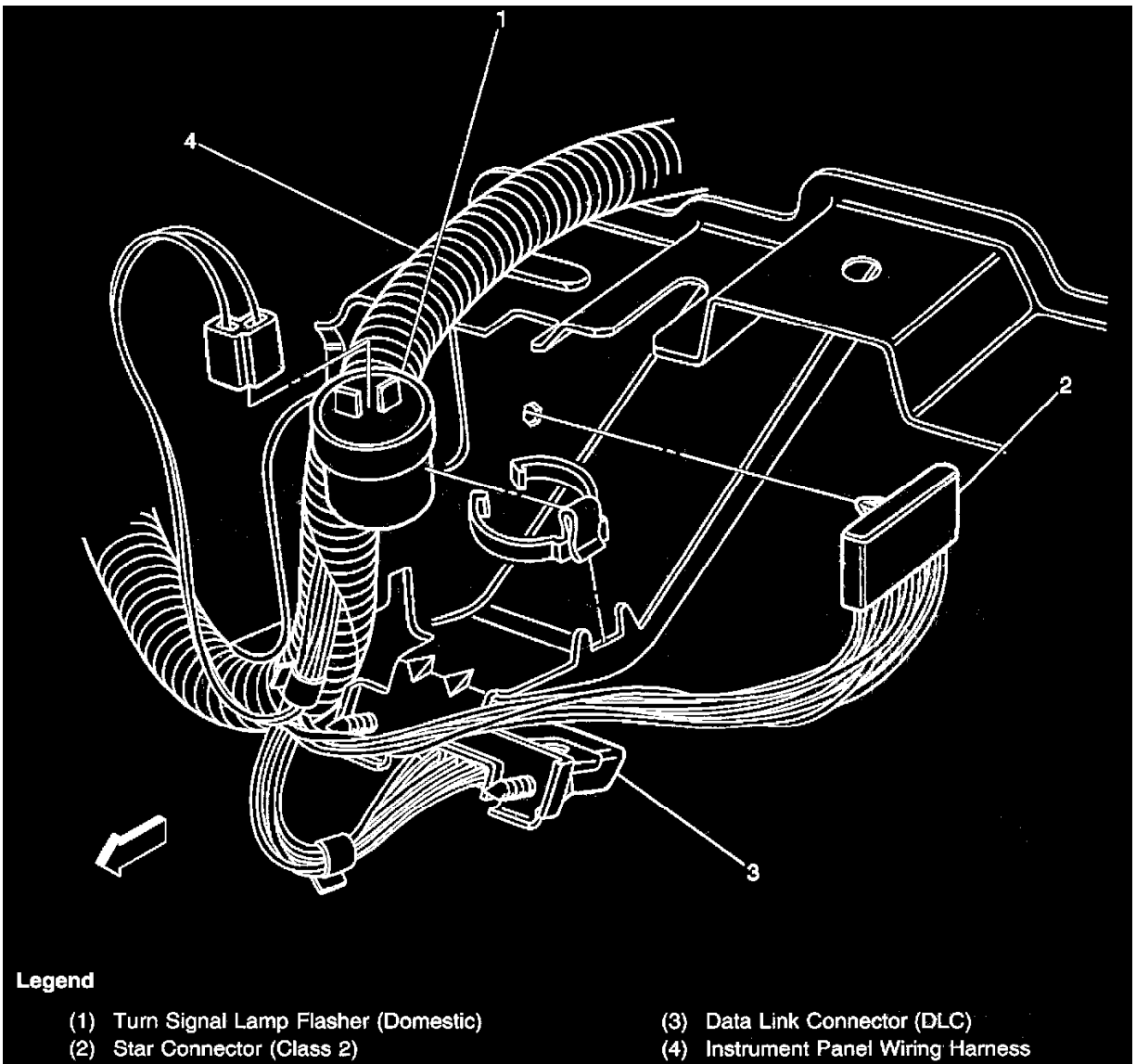
Data Link Connector (DLC)



Legend

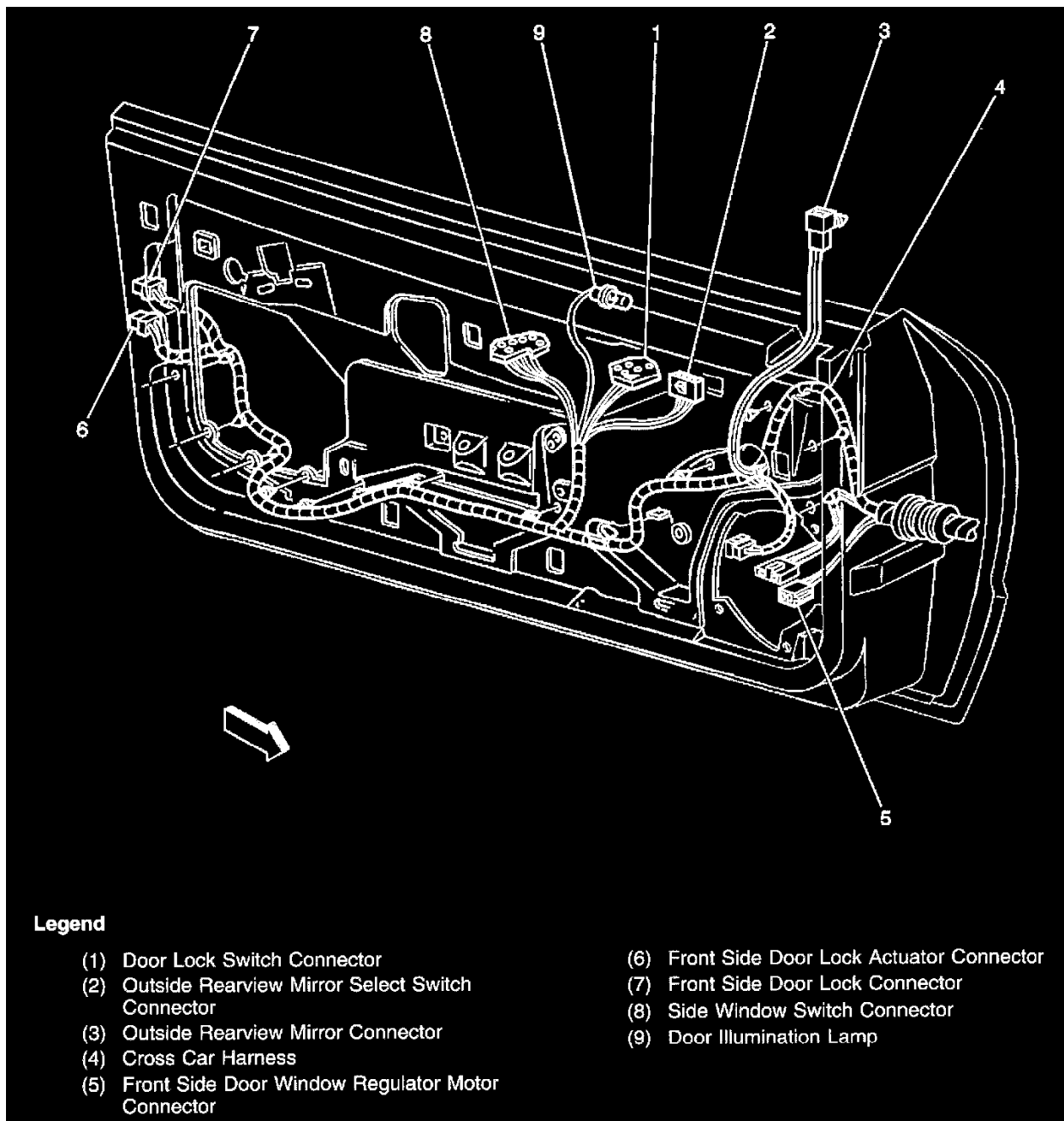
- | | |
|------------------------------|--|
| (1) IP Fuse Block | (5) Data Link Connector (DLC) |
| (2) Hazard Lamp Flasher | (6) Body Control Module (BCM) |
| (3) IP Wiring Harness | (7) Daytime Running Lamps (DRL) Module |
| (4) Turn Signal Lamp Flasher | |

Locations View

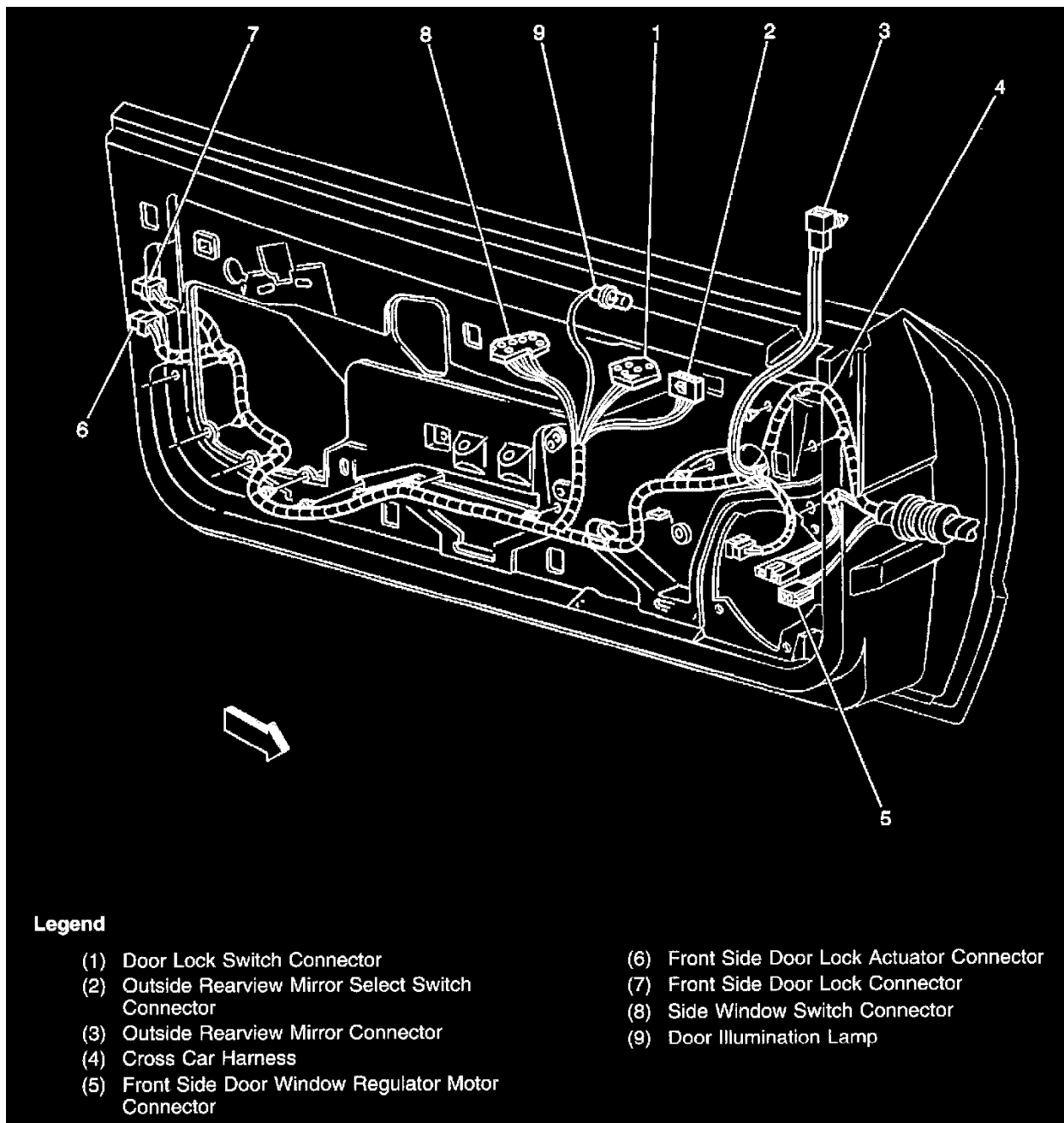


Locations View

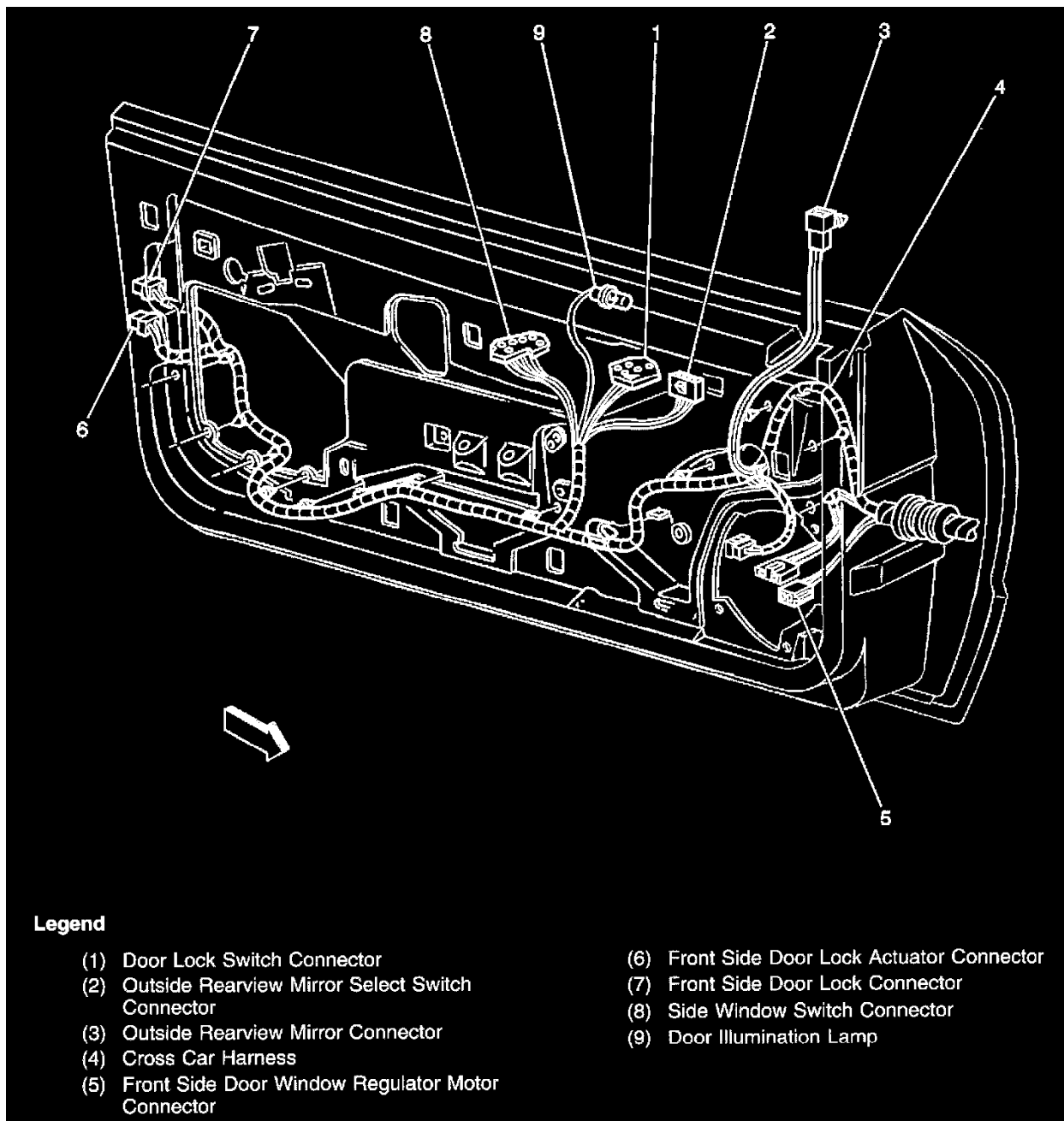
Under the IP, right of the steering column



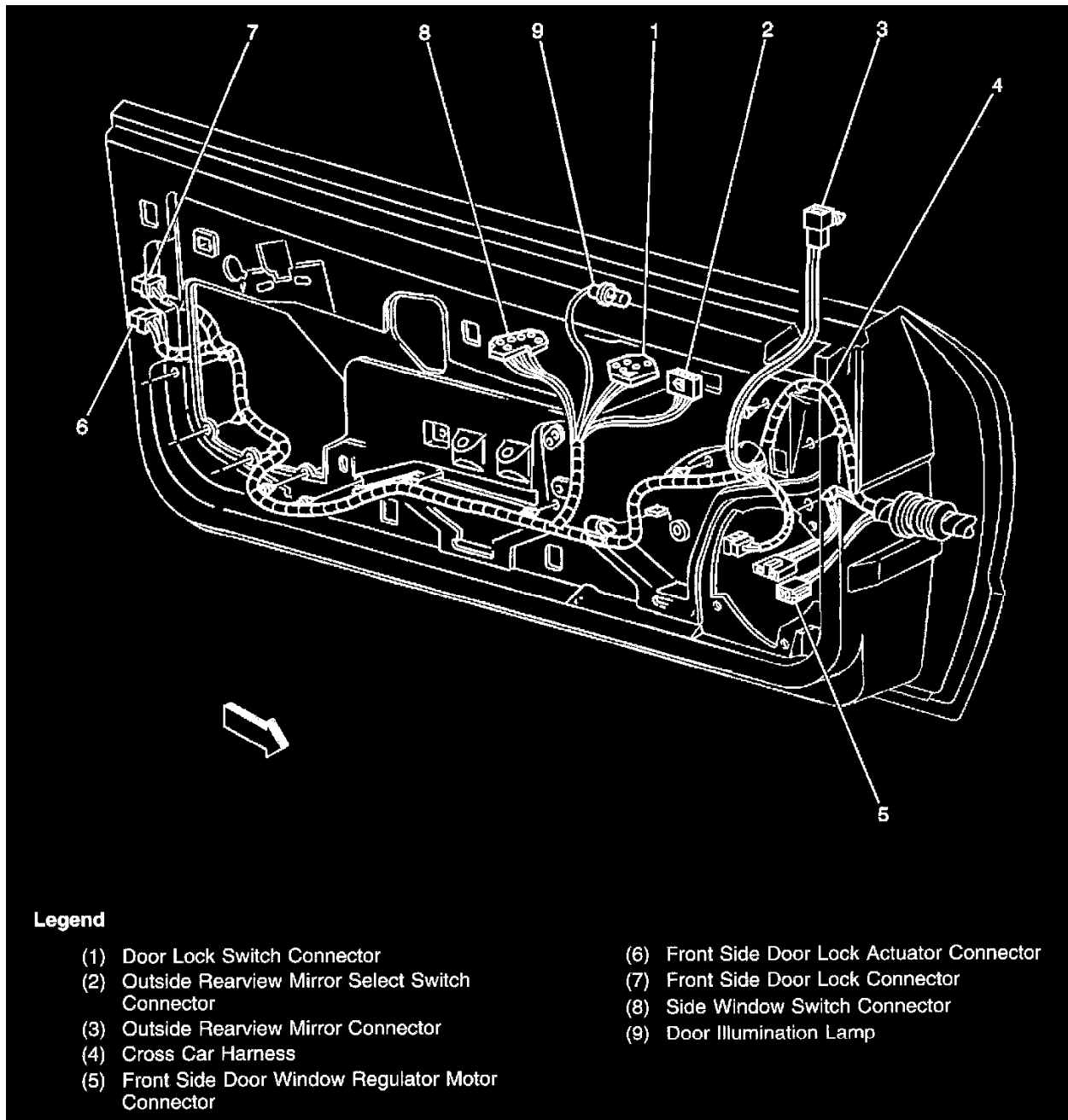
Locations View



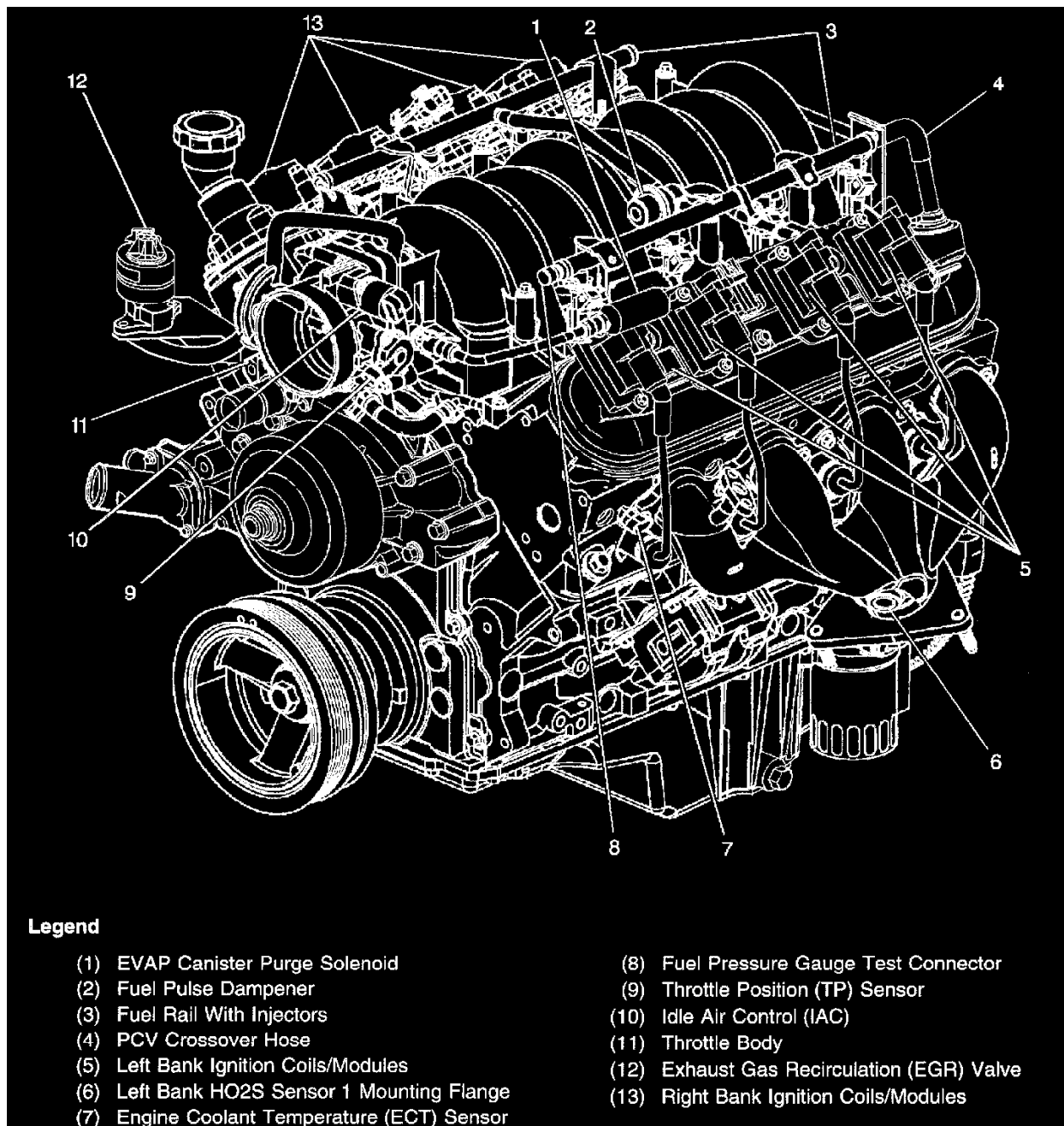
Locations View



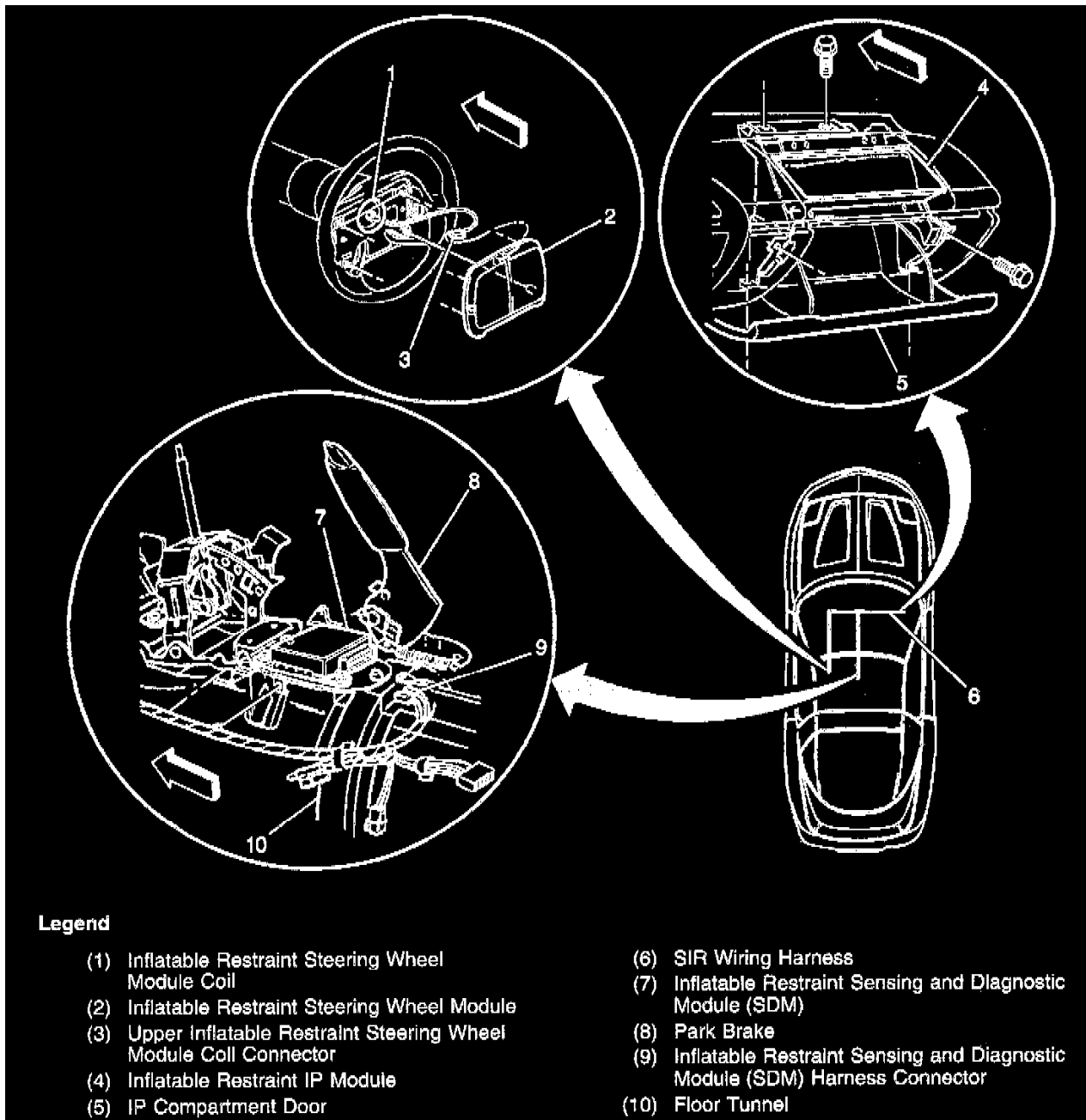
Locations View



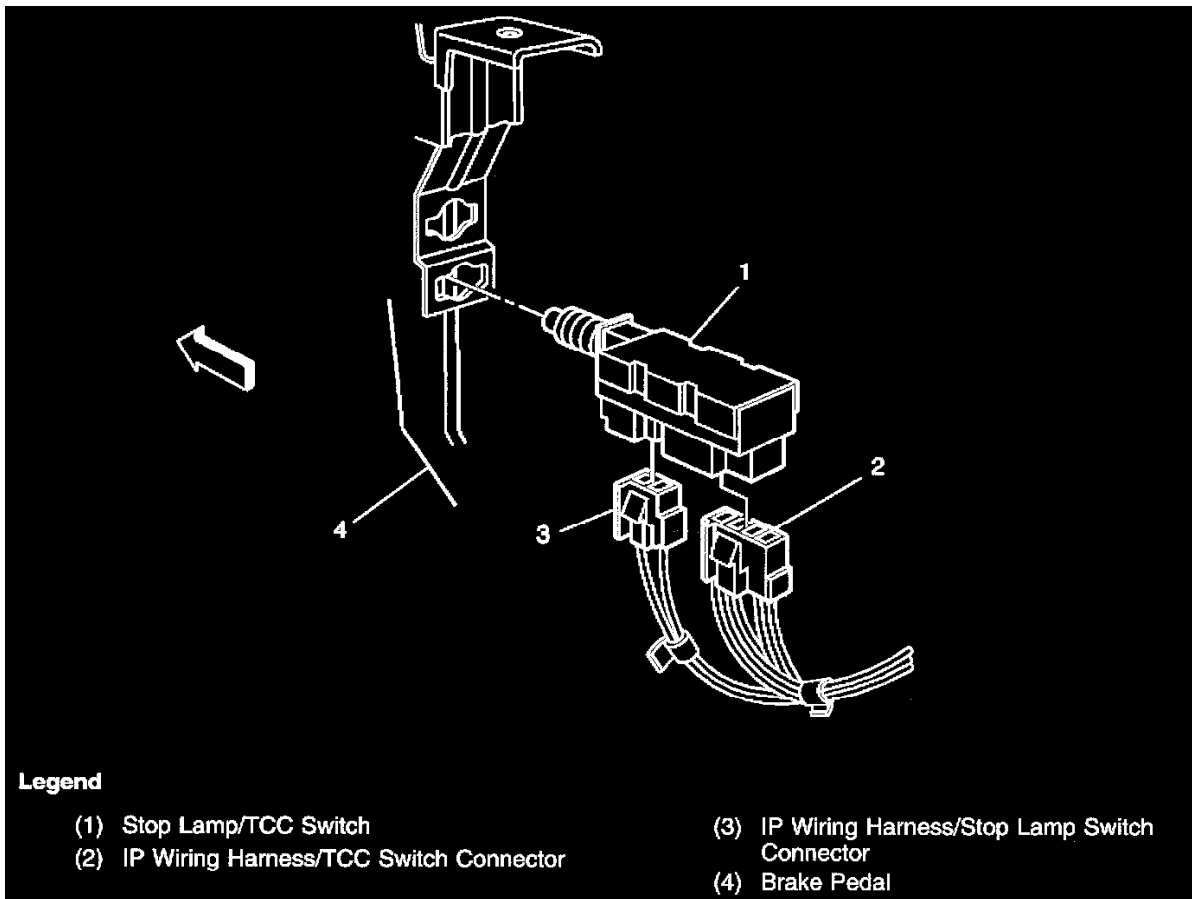
Locations View



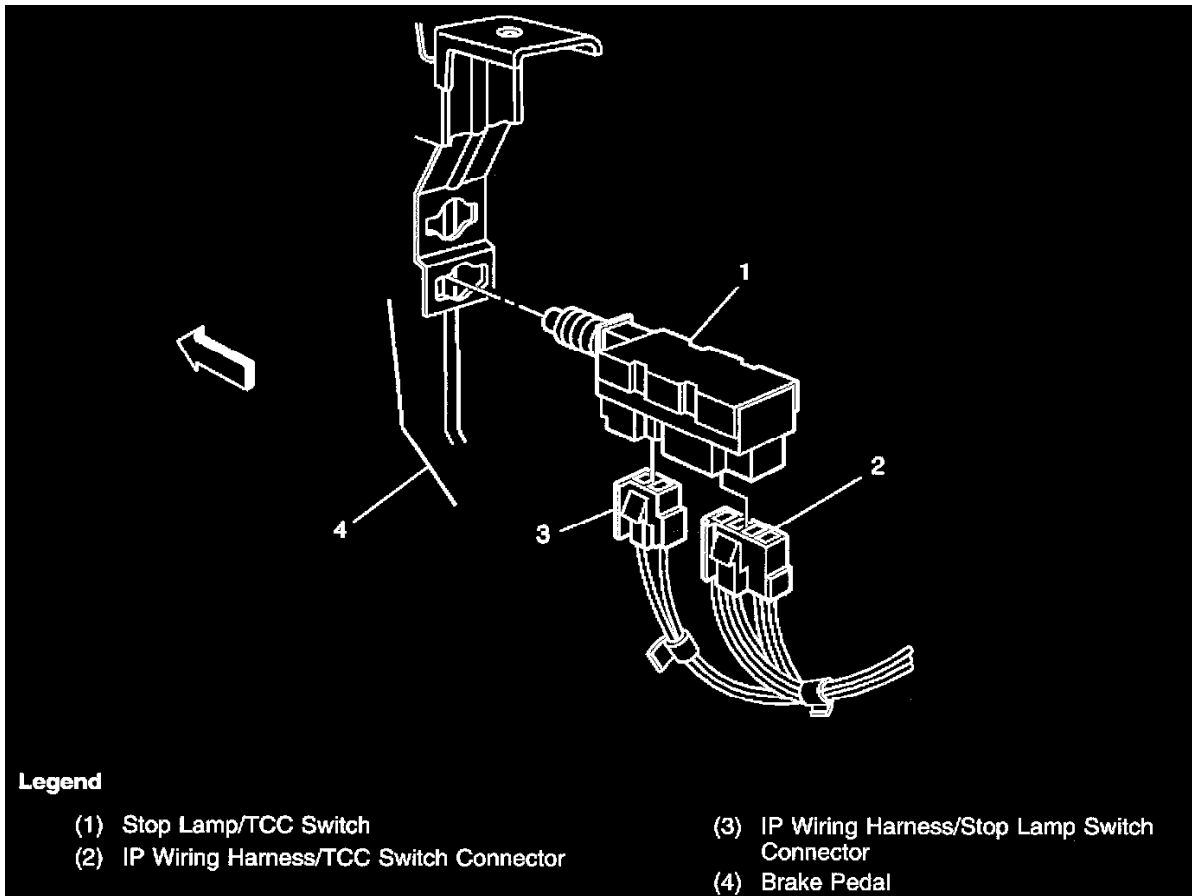
Locations View



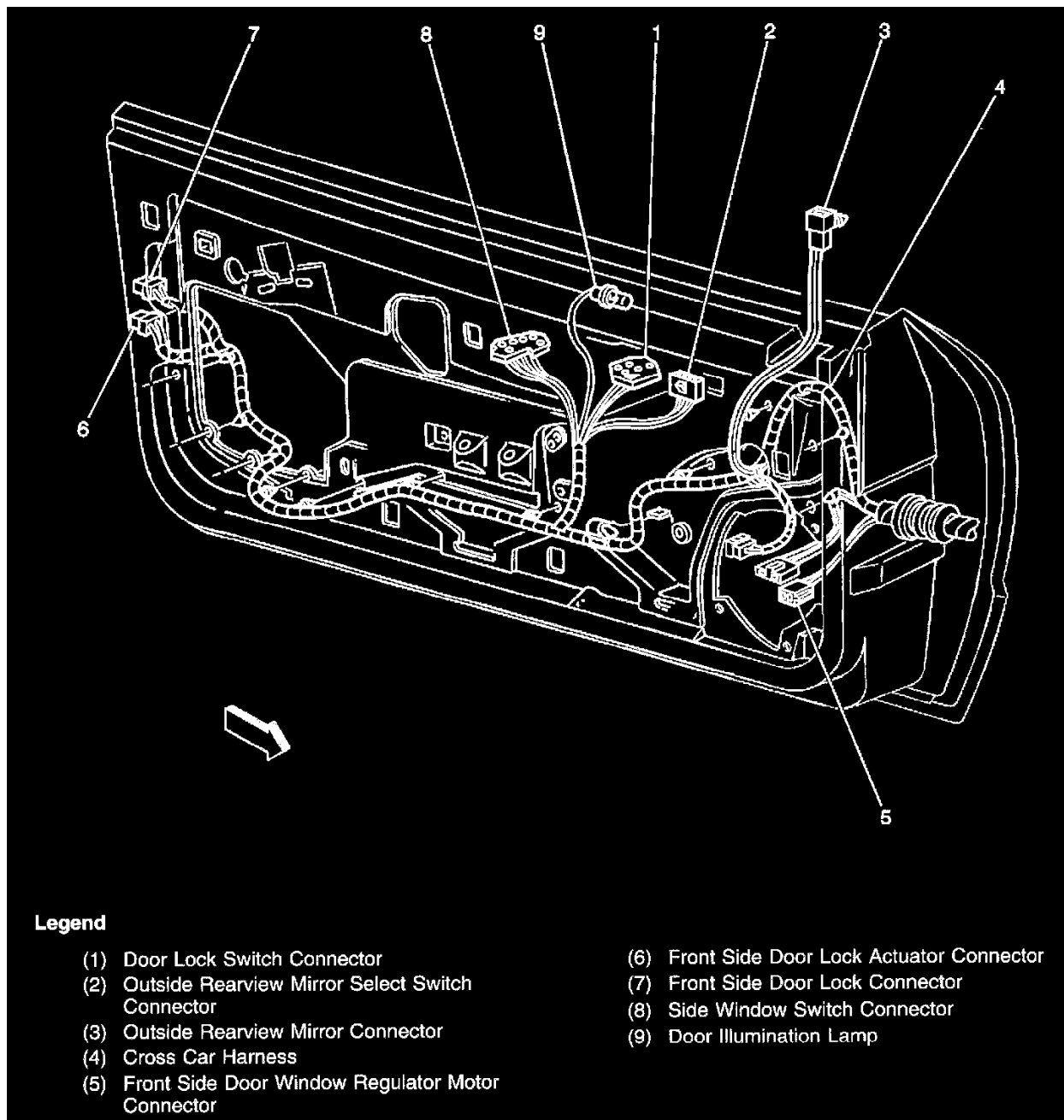
Locations View



Locations View



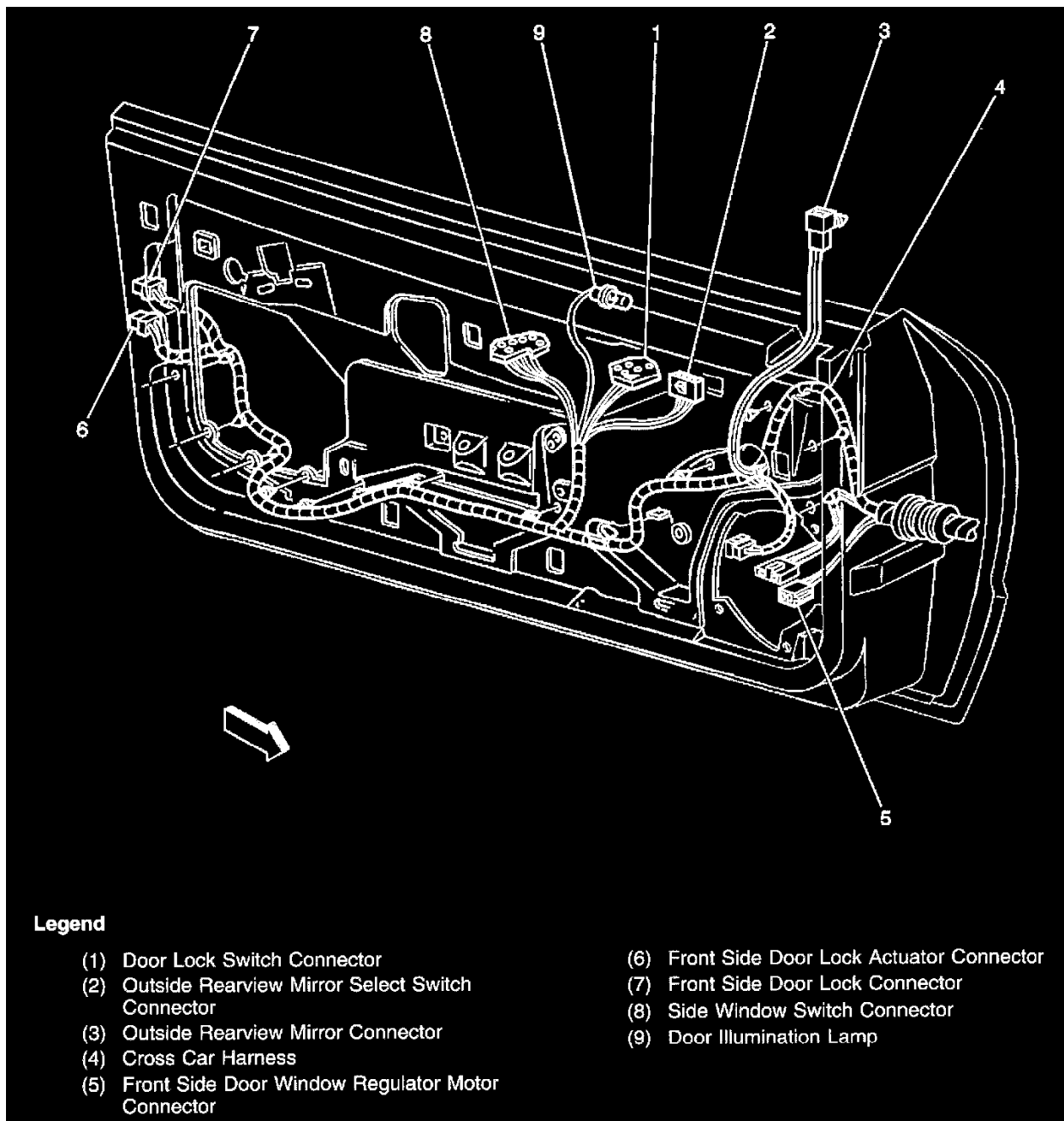
Locations View



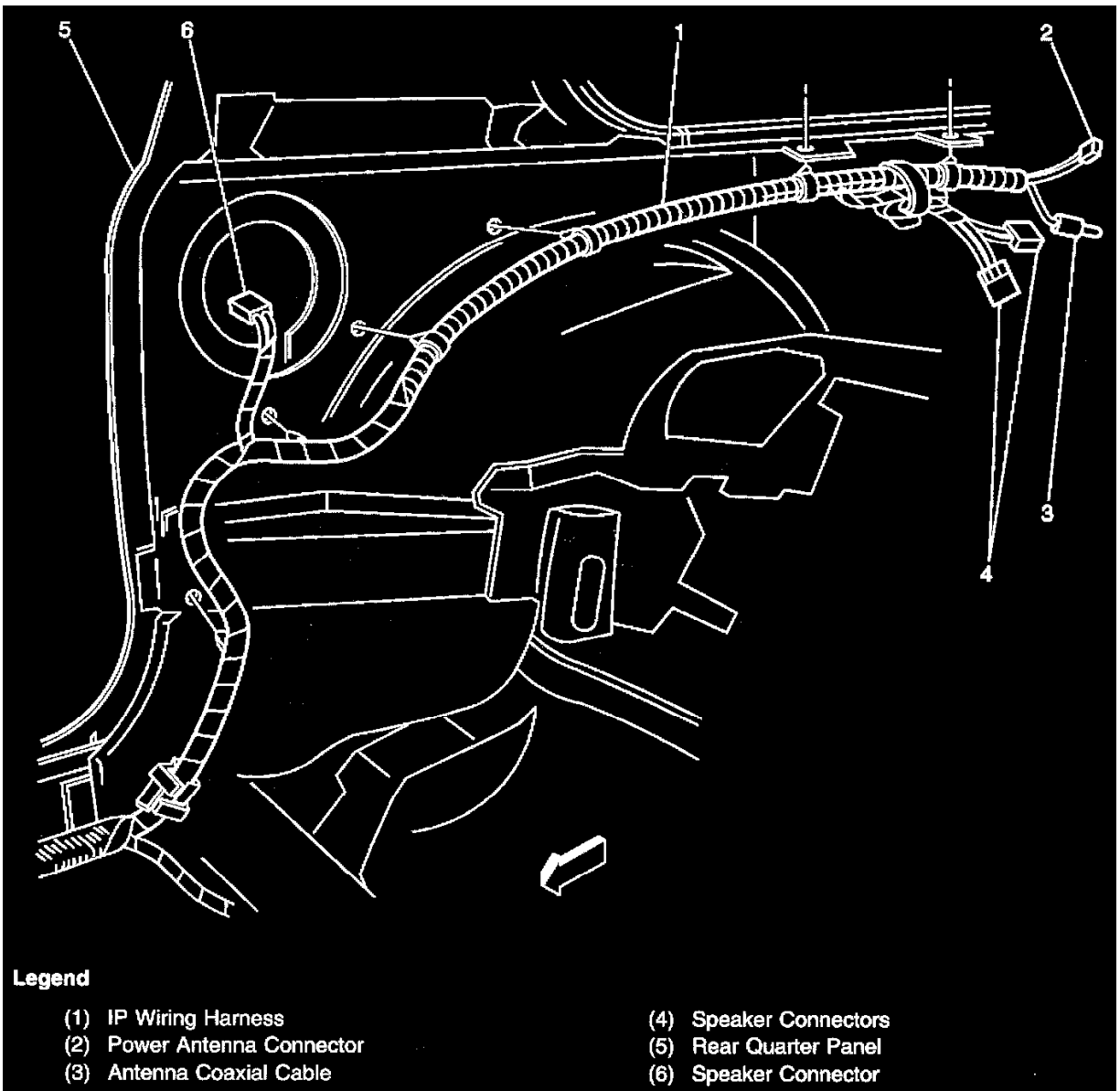
Legend

- | | |
|--|---|
| (1) Door Lock Switch Connector | (6) Front Side Door Lock Actuator Connector |
| (2) Outside Rearview Mirror Select Switch Connector | (7) Front Side Door Lock Connector |
| (3) Outside Rearview Mirror Connector | (8) Side Window Switch Connector |
| (4) Cross Car Harness | (9) Door Illumination Lamp |
| (5) Front Side Door Window Regulator Motor Connector | |

Locations View



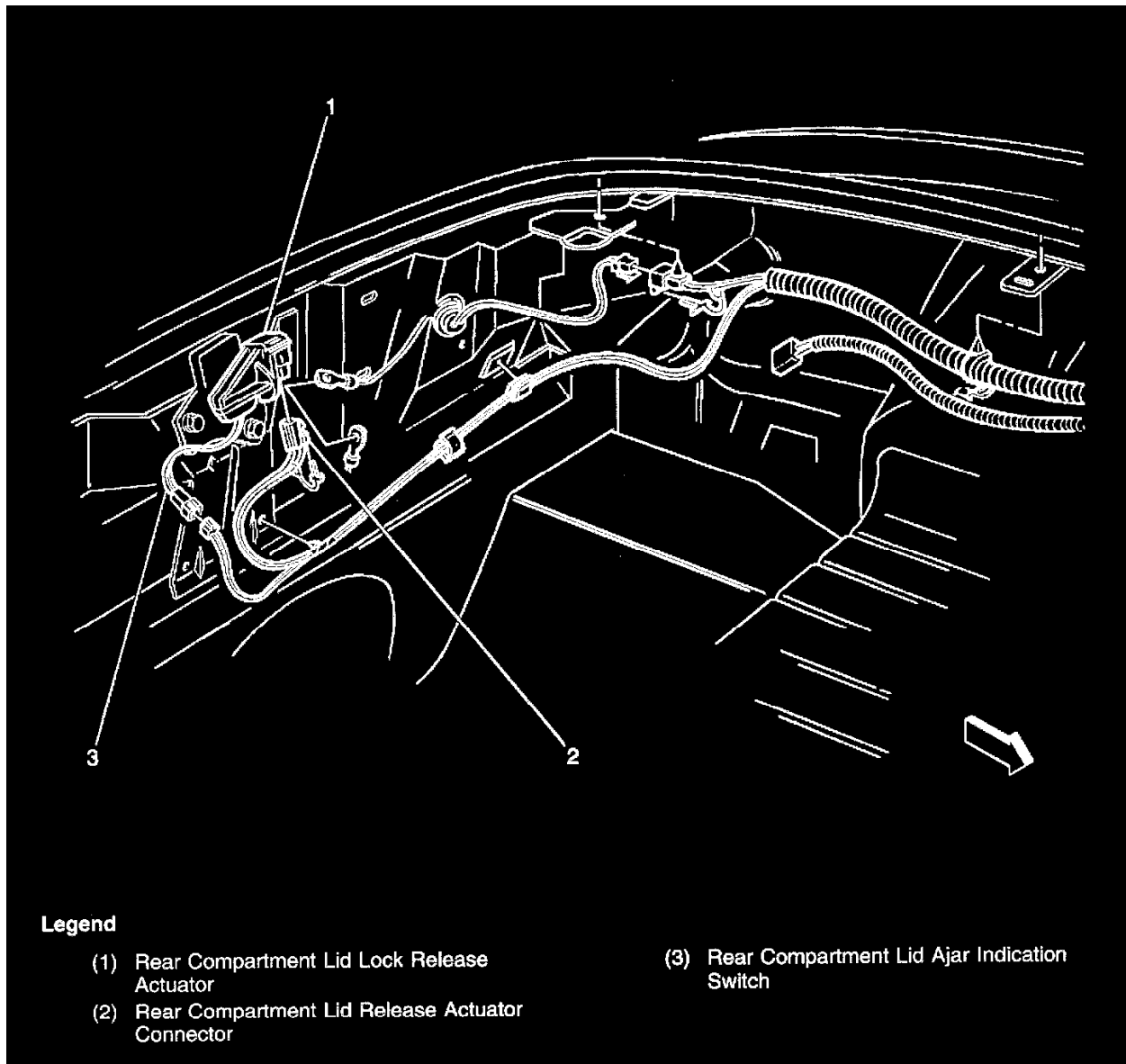
Locations View



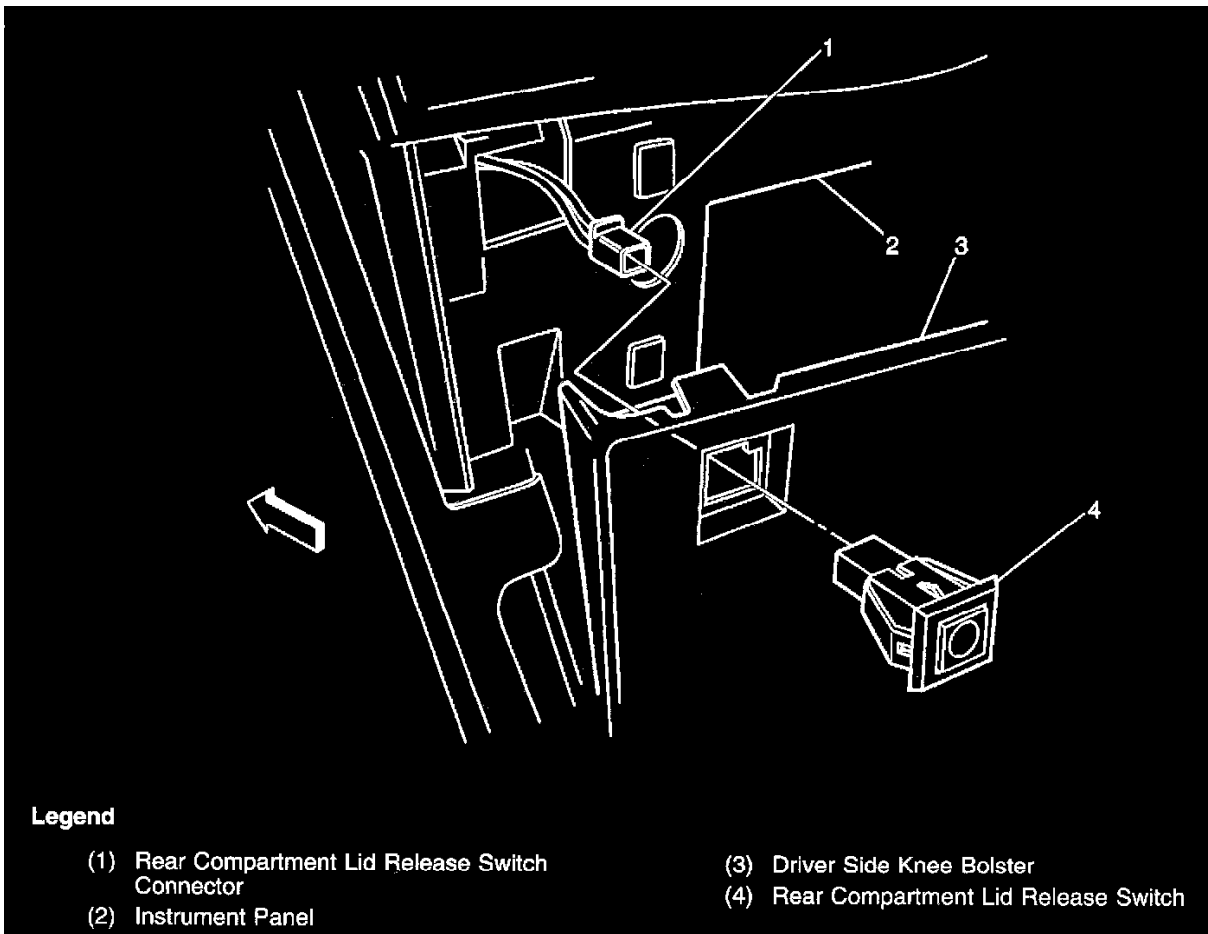
Legend

- | | |
|-----------------------------|------------------------|
| (1) IP Wiring Harness | (4) Speaker Connectors |
| (2) Power Antenna Connector | (5) Rear Quarter Panel |
| (3) Antenna Coaxial Cable | (6) Speaker Connector |

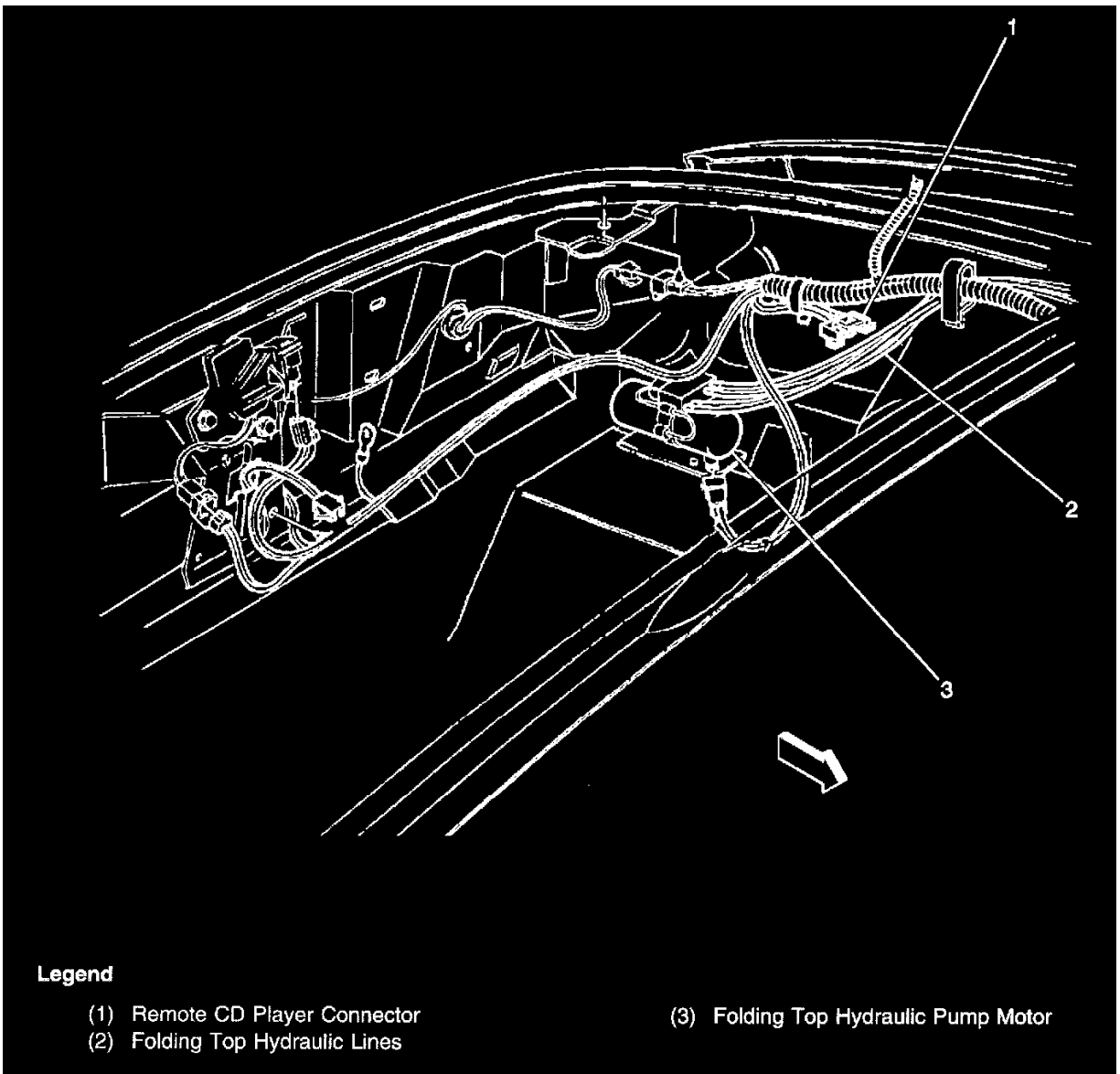
Locations View



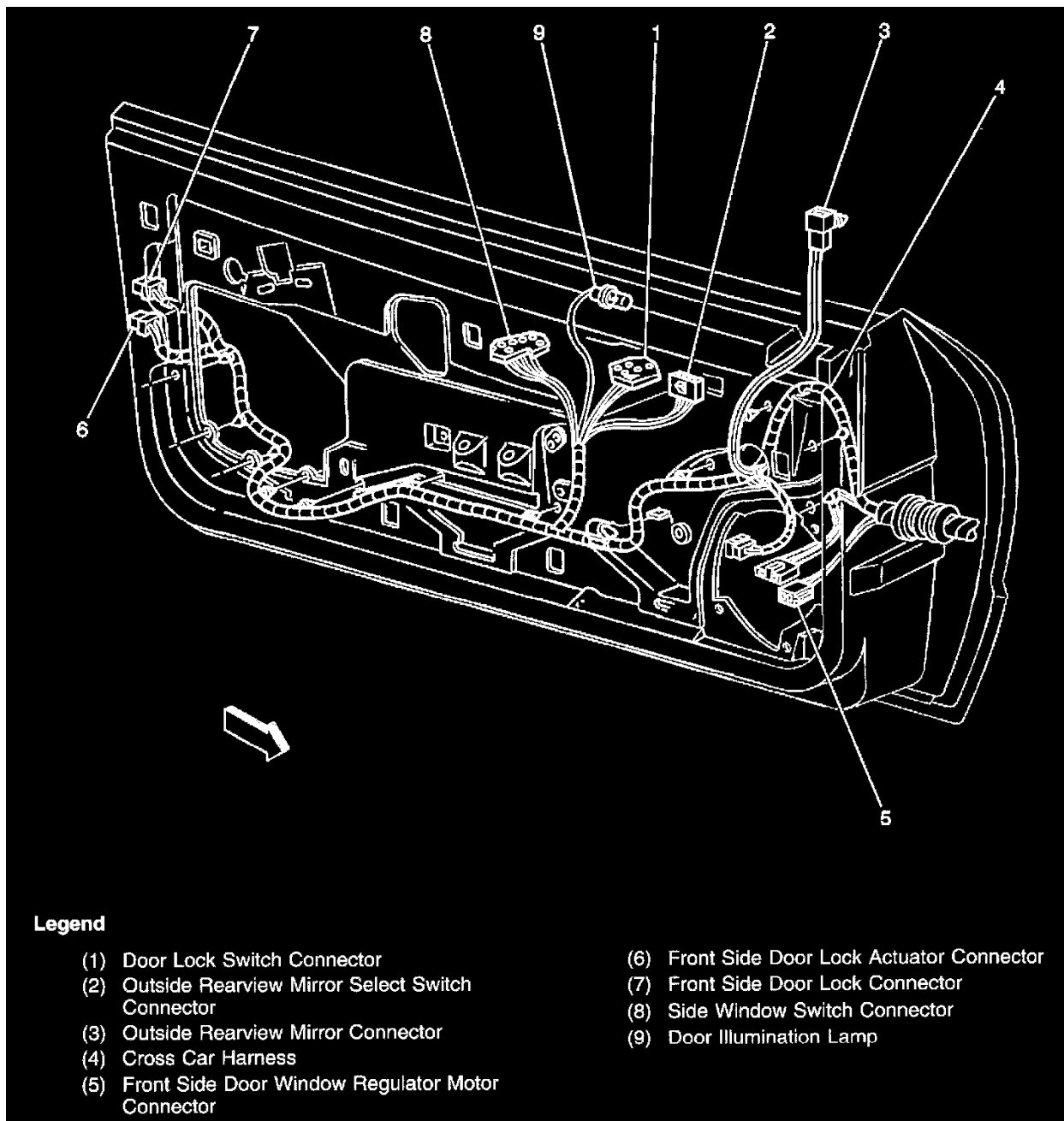
Locations View



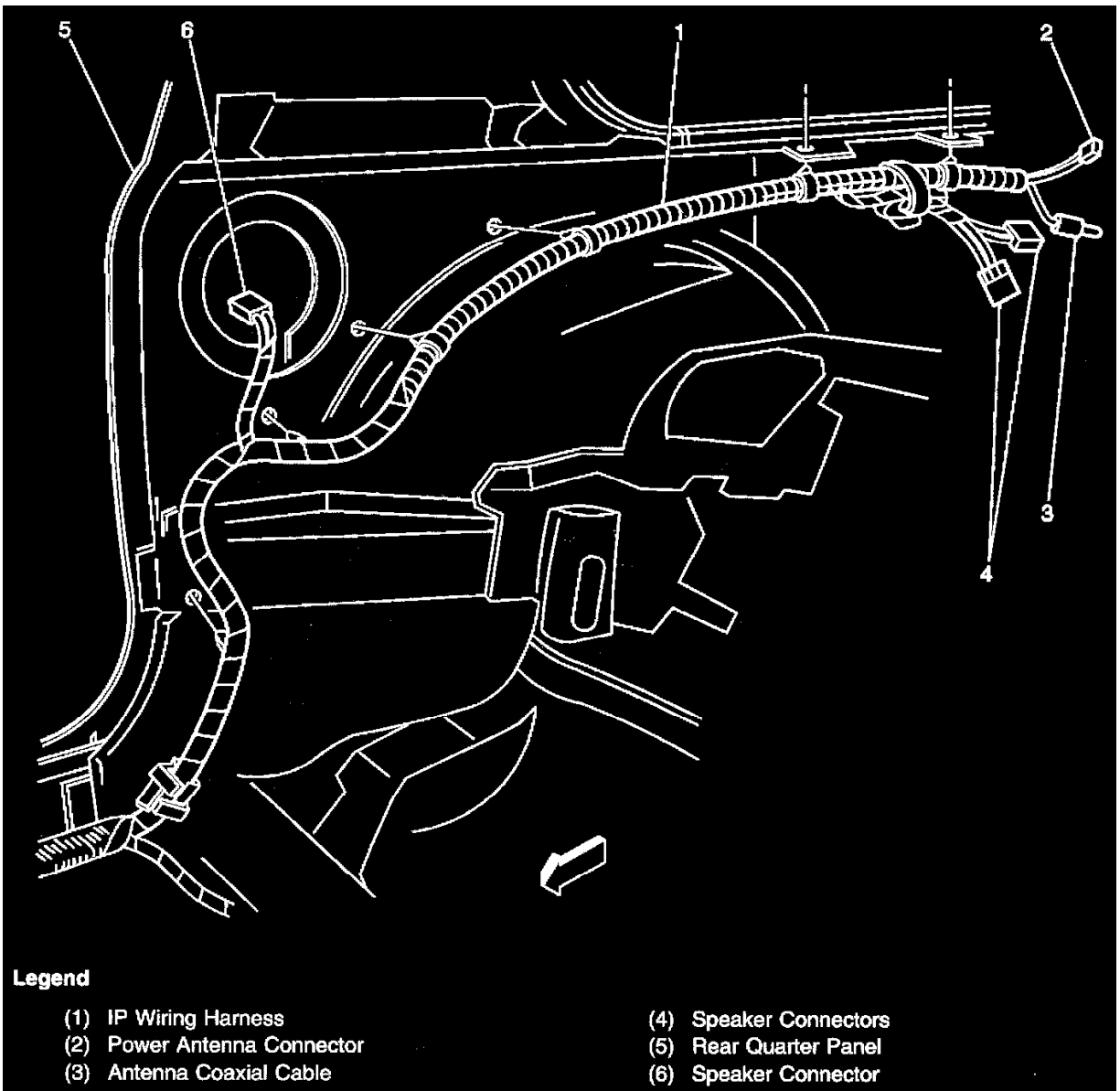
Locations View



Locations View



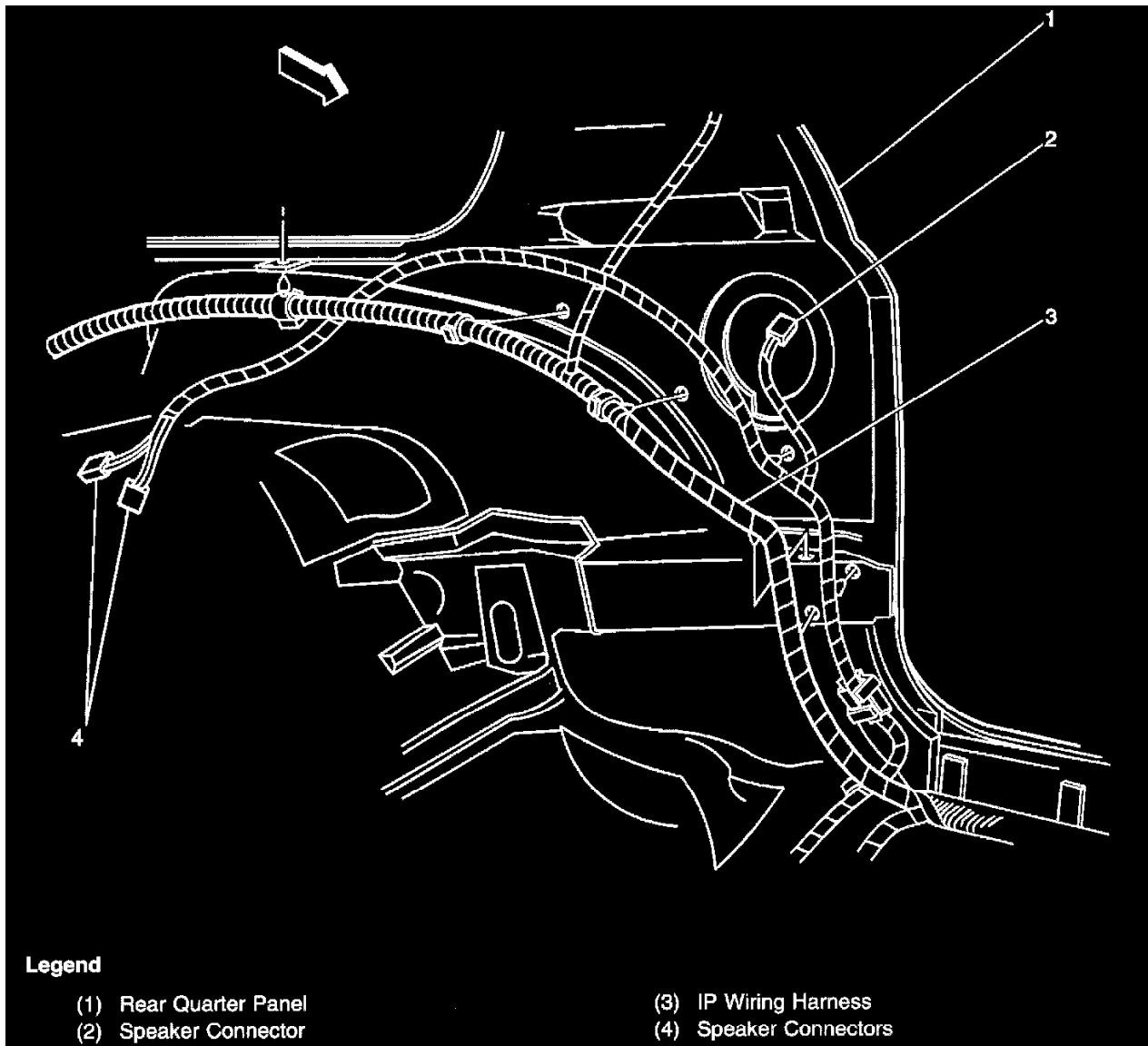
Locations View



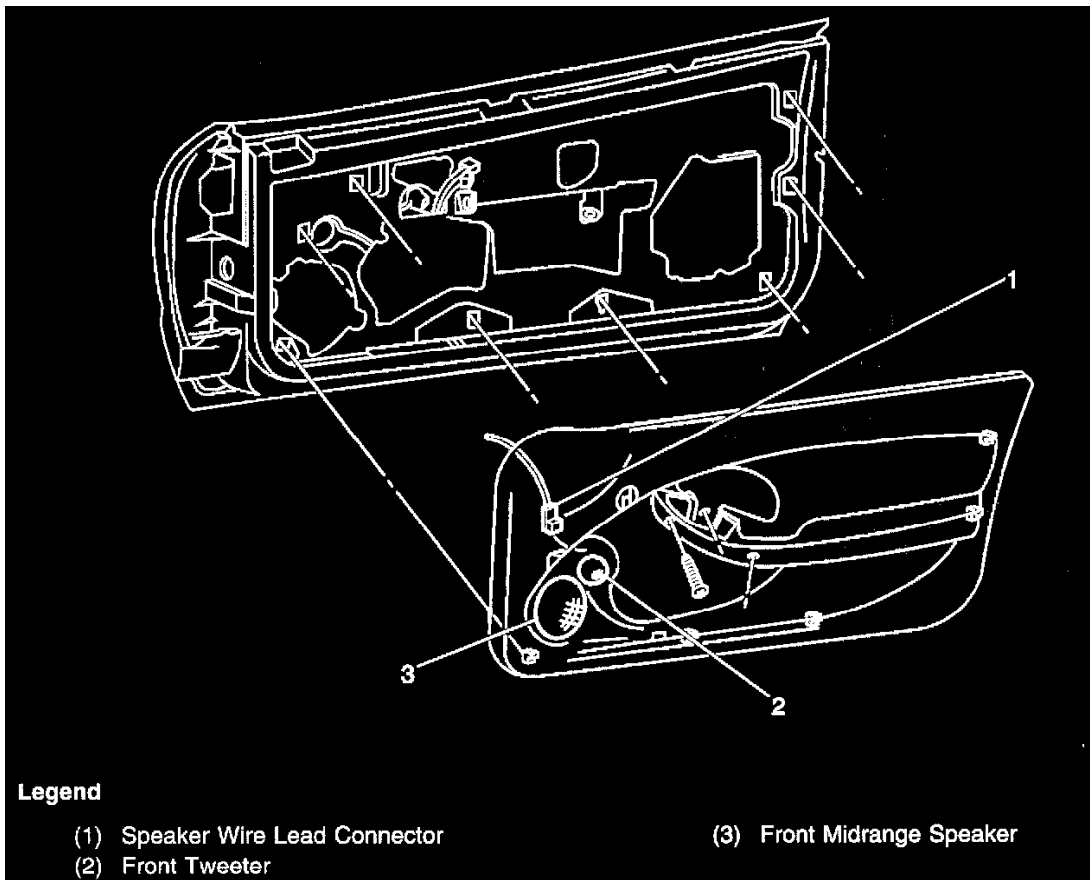
Legend

- | | |
|-----------------------------|------------------------|
| (1) IP Wiring Harness | (4) Speaker Connectors |
| (2) Power Antenna Connector | (5) Rear Quarter Panel |
| (3) Antenna Coaxial Cable | (6) Speaker Connector |

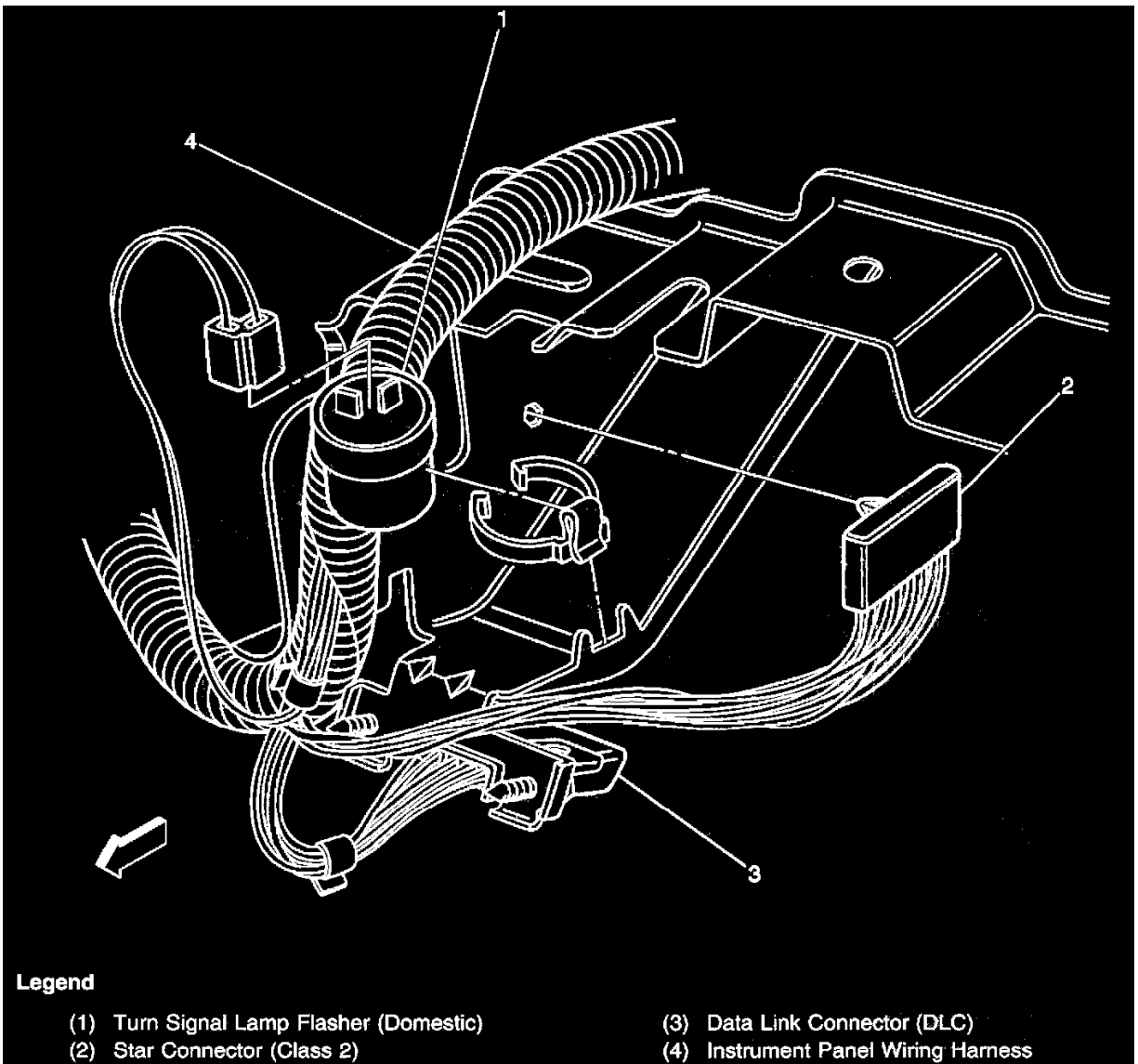
Locations View



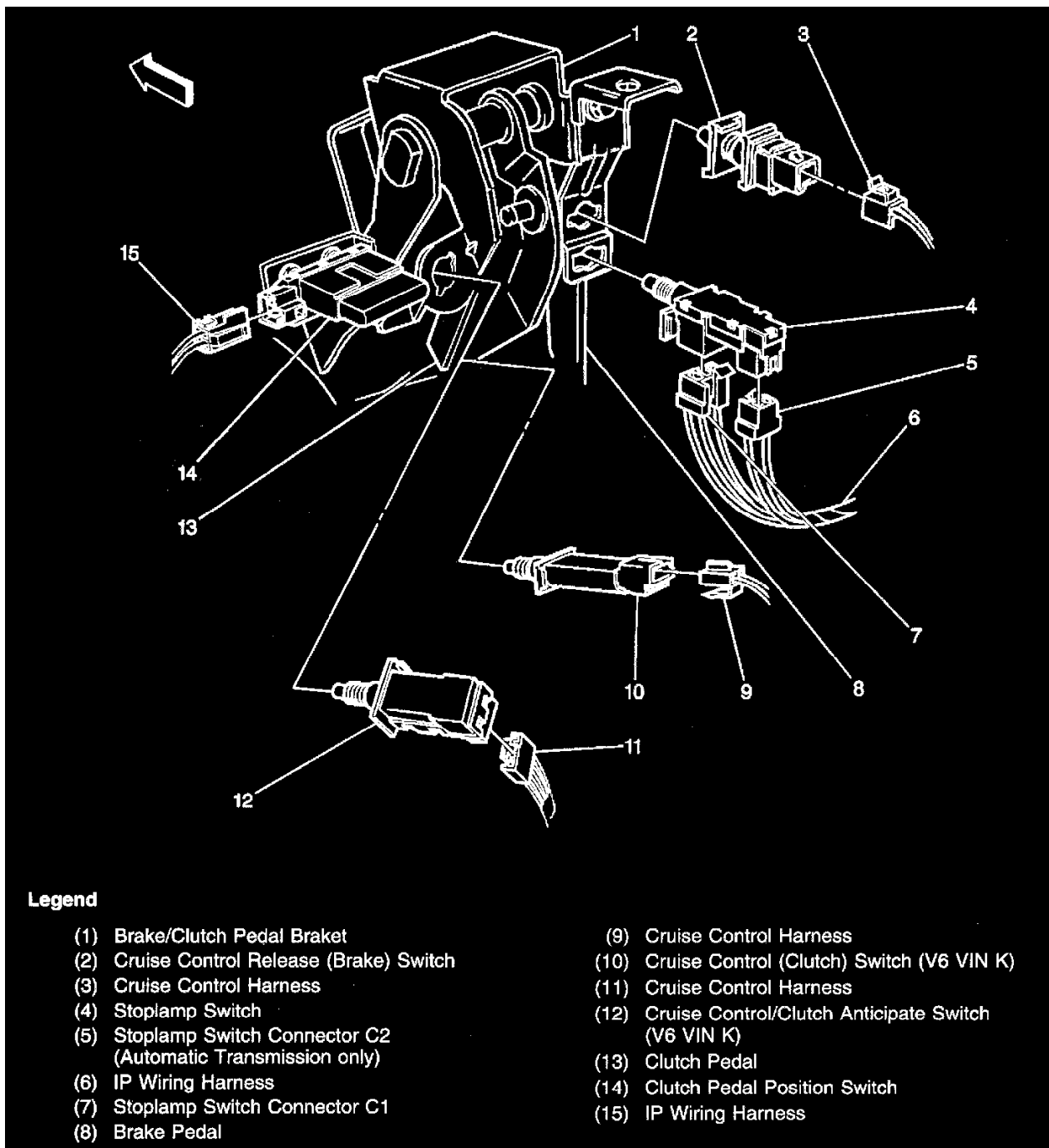
Locations View



Locations View



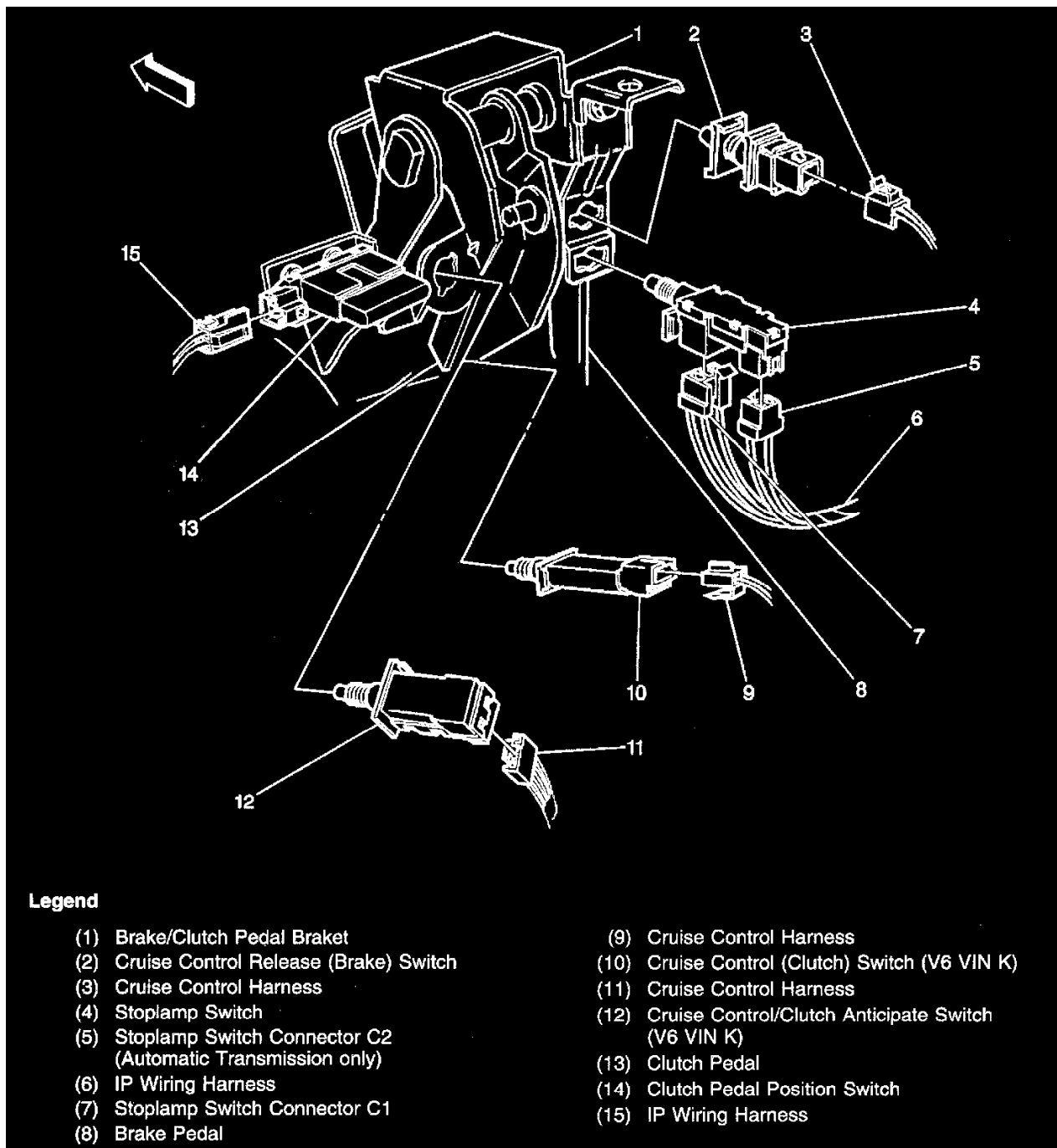
Locations View



Legend

- | | |
|--|---|
| (1) Brake/Clutch Pedal Bracket | (9) Cruise Control Harness |
| (2) Cruise Control Release (Brake) Switch | (10) Cruise Control (Clutch) Switch (V6 VIN K) |
| (3) Cruise Control Harness | (11) Cruise Control Harness |
| (4) Stoplamp Switch | (12) Cruise Control/Clutch Anticipate Switch (V6 VIN K) |
| (5) Stoplamp Switch Connector C2 (Automatic Transmission only) | (13) Clutch Pedal |
| (6) IP Wiring Harness | (14) Clutch Pedal Position Switch |
| (7) Stoplamp Switch Connector C1 | (15) IP Wiring Harness |
| (8) Brake Pedal | |

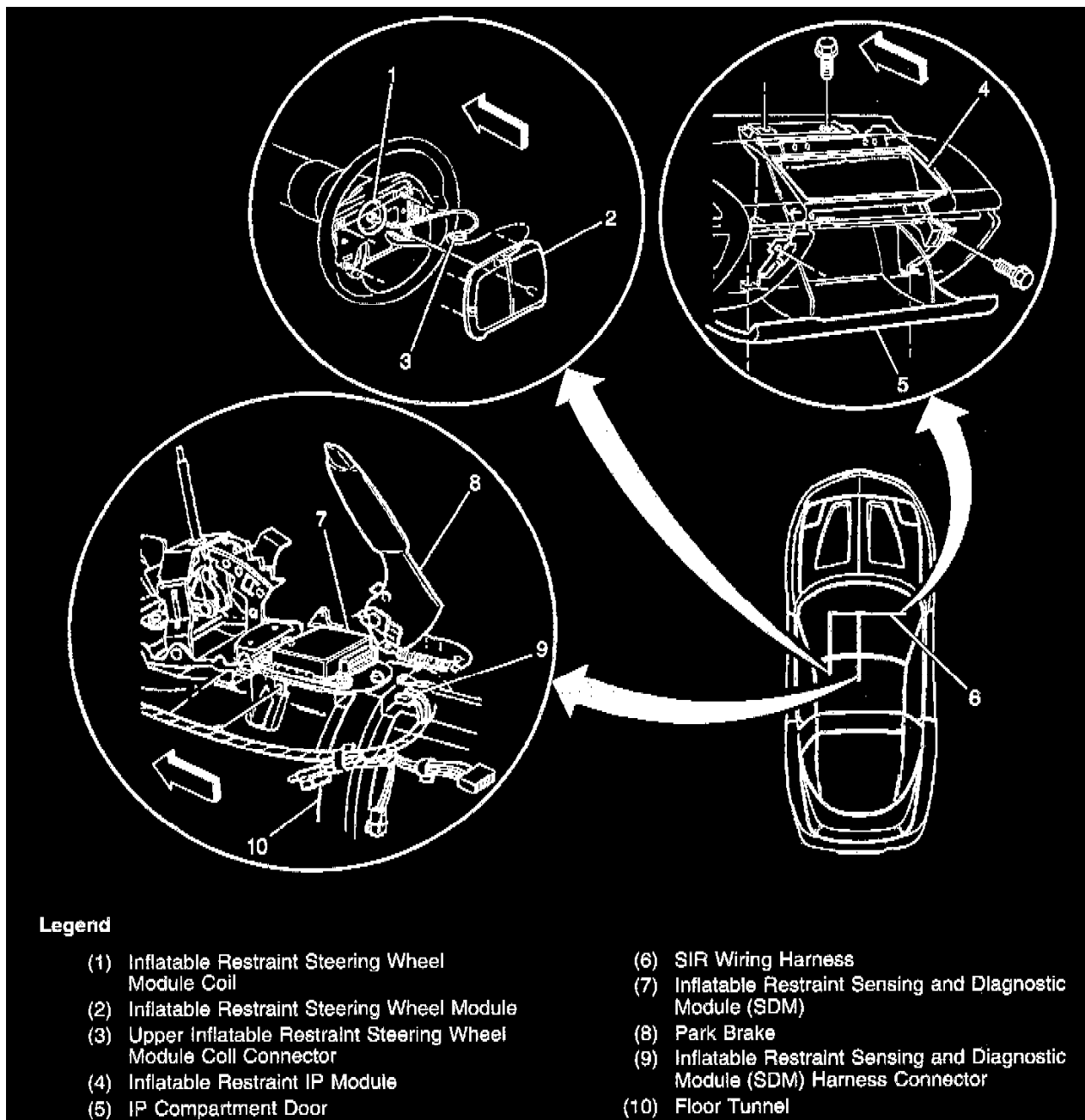
Locations View



Legend

- | | |
|--|---|
| (1) Brake/Clutch Pedal Bracket | (9) Cruise Control Harness |
| (2) Cruise Control Release (Brake) Switch | (10) Cruise Control (Clutch) Switch (V6 VIN K) |
| (3) Cruise Control Harness | (11) Cruise Control Harness |
| (4) Stoplamp Switch | (12) Cruise Control/Clutch Anticipate Switch (V6 VIN K) |
| (5) Stoplamp Switch Connector C2 (Automatic Transmission only) | (13) Clutch Pedal |
| (6) IP Wiring Harness | (14) Clutch Pedal Position Switch |
| (7) Stoplamp Switch Connector C1 | (15) IP Wiring Harness |
| (8) Brake Pedal | |

Locations View



Locations View

C100

(10 cavities) Engine to forward lamp harness, in the engine compartment, above the right wheelhouse

C101

(10 cavities) Engine to forward lamp harness, in the engine compartment, above the right wheelhouse

C102

(1 cavity) Engine to forward lamp harness, in the engine compartment above the right wheelhouse.

C105

(8 cavities) Engine to forward lamp harness, in the engine compartment, above the right wheelhouse

C106

(7 cavities) Engine to the engine jumper harness

C107

(7 cavities) Engine to the engine jumper harness

C170

(3 cavities) (Export) Forward lamp harness to the left headlamp leveling motor harness

C175

(3 cavities) (Export) Forward lamp harness to the right headlamp leveling motor harness

C200

Rear Compartment Lid Release Switch In the driver knee bolster, left of the steering column

C200A

(17 cavities) Forward lamp to IP harness, between the left kick panel and the steering column

C200B

(18 cavities) Forward lamp harness to the IP harness, between the left kick panel and the steering column

C200C

(13 cavities) Cross car to IP harness, between the left kick panel and the steering column

C200D

(48 cavities) Part of the IP harness, between the left kick panel and the steering column

C206

(4 cavities) (Export) Forward lamp to IP harness, under the left side of the IP, behind the knee bolster

C211

(8 cavities) Forward lamp to traction control module jumper harness, under the left side of the IP, near the kick panel

C212

(10 cavities) Forward lamp to traction control module jumper harness, under the left side of the IP, near the kick panel

C215

(11 cavities) Forward lamp harness to the steering column harness, near the base of the steering column

(11 cavities) Forward lamp to the steering column harness, near the base of the steering column

C216

(11 cavities) IP to steering column harness, attached to the base of the steering column

C217

(4 cavities) IP harness to the inflatable restraint steering wheel module coil harness, near the base of the steering column

(4 cavities) IP to inflatable restraint steering wheel module coil harness, near the base of the steering column

C218

(2 cavities) SIR harness to the inflatable restraint steering wheel module coil, at the base of the steering wheel column

C219

(2 cavities) SIR harness to the inflatable restraint instrument panel module jumper harness, behind the IP compartment

C220

(10 cavities) IP to engine harness, under the right side of the IP, behind the knee bolster

C230

(10 cavities) IP to engine harness, under the right side of the IP, behind the knee bolster

C240

(8 cavities) cross car harness to the IP harness, under the right side of the IP, behind the knee bolster

C260

(6 cavities) Cross car harness to the BCM jumper harness, under the right side of the instrument panel, behind the knee bolster

C270

(2 cavities) IP harness of the cruise control harness, near the brake/clutch pedal bracket

C300

(6 cavities) (Front Seat, Driver and Passenger Recline) Seat jumper to driver seat harness, under the driver seat assembly

(6 cavities) (SEAT,FRT BKT, PASS, DRIVER, RECL) Seat jumper to the driver seat harness, under the driver seat assembly

C305

(6 cavities) (Front Seat, Driver and Passenger Recline) Seat jumper to passenger seat harness, under the passenger seat assembly

C310

(2 cavities) (w/Driver Front Seat, Power Adjuster) IP to driver seat harness, rear mounting bolt of the driver seat

(2 cavities) (w/Front Seat, Driver and Passenger Recline) IP to seat jumper harness, between the rear mounting bolts of the driver seat

(2 cavities) (w/SEAT,FRT BKT, PASS, DRIVER, RECL) IP to the driver seat harness, rear mounting bolt of the driver seat

C320

(1 cavity) (Convertible) Rear defogger jumper to IP harness, under the left interior trim molding, above the left rear wheelhouse

C330

(2 cavities) (Coupe) Hatch to the IP harness, center of the roof near the dome lamp

C400

(6 cavities) IP to rear body harness, left rear cargo compartment, between the rear end panel and the carpet

C405A

(7 cavities) Fuel tank harness to the IP harness pass through connector, forward of the rear axle

C405B

(16 cavities) IP harness pass through connector, forward of the rear axle

C405D

(4 cavities) Fuel tank harness to the IP harness pass through connector, forward of the rear axle

C410

(2 cavities) (Export) IP to rear body harness, in the left side of the rear compartment

C430

(2 cavities) Rear body harness to the rear fascia harness, between the rear fascia and the rear panel, on the left side

G100

On the lower right side of the engine, above the starter solenoid

G101

In the engine compartment, attached to the front of the left wheelhouse

G102

In the engine compartment, attached to the front of the right wheelhouse

G105

Attached to the top right side of the radiator support

G106

Attached to the top left side of the radiator support

G109

Attached to the left front frame rail, forward of the brake pressure modulator valve bracket

G110

Attached to the rear of the left cylinder head

G111

Attached to the lower left side of the engine, behind the generator

G112

Attached to the rear of the left cylinder head

G200

Near the left A-pillar, bolted to the IP mounting stud behind the kick panel

G201

Near the right A-pillar, bolted to the IP mounting stud behind the kick panel

G202

Attached to the floor pan under the center console, rear of the inflatable restraint Sensing and Diagnostic module (SDM)

G305

Bolted to the left rocker panel at the floor pan bar

G310

Bolted to the roof, left of the dome lamp

G320

Bolted to the roof, left of the dome lamp

G400 - G499

Bolted to the rear compartment lid release actuator bracket in the rear compartment

S100 (Automatic Transmission)

In the engine harness, approximately 12 cm (4.7 in) from the automatic transmission breakout

S100 (Manual Transmission)

In the engine harness, approximately 5 cm (2 in) from the vehicle speed sensor breakout

S102

In the engine harness, main branch, approximately 7 cm (2.8 in) from the engine oil pressure sensor breakout

S104

In the engine harness, approximately 14 cm (5.5 in) from the powertrain control module (PCM) breakout

S105

In the engine harness at the A/C refrigerant pressure sensor breakout

S106

In the engine harness, main branch approximately 4 cm (1.6 in) from the Powertrain Control Module (PCM) breakout

S107

In the engine harness, main branch, approximately 7 cm (2.8 in) from the powertrain control module (PCM) breakout

S108

(Automatic Transmission) In the engine harness, main branch, approximately 5 cm (2 in) from the automatic transmission breakout

(Manual Transmission) In the engine harness, main branch, approximately 12 cm (4.7 in) from the vehicle speed sensor breakout

S109

In the engine harness, approximately 8 cm (3.2 in) from the fuel injector 4 breakout

S110

In the engine harness, main branch, approximately 20 cm (7.9 in) from the powertrain control module (PCM) breakout

S112

In the forward lamp harness, approximately 9 cm (3.5 in) from the right lamps breakout

S113

In the forward lamp harness approximately 7 cm (2.8 in) from the Electronic Throttle Control (ETC) module/cruise control module breakout

S114

In the engine harness, approximately 17 cm (6.7 in) back from the A/C compressor clutch breakout

S115

In the engine harness, approximately 20 cm (7.9 in) back from the A/C compressor clutch breakout

S116

In the engine harness, approximately 9 (3.5 in) from the manifold absolute pressure (MAP) sensor breakout

S118

In the engine harness, approximately 15 cm (6 in) from the manifold absolute pressure (MAP) sensor breakout

S119

(Automatic Transmission) In the engine harness, main branch, approximately 8 cm (3.1 in) from the automatic transmission breakout

(Manual Transmission) In the engine harness, main branch, approximately 9 cm (3.5 in) from the vehicle speed sensor breakout

S122

In the engine jumper harness

S123

In the engine jumper harness

S124

In the engine jumper harness

S125

In the engine jumper harness

S126

In the engine jumper harness

S127

In the engine jumper harness

S128

In the engine harness, approximately 4 cm (1.8 in) from the Manifold Absolute Pressure (MAP) sensor breakout

S150

In the forward lamp harness, approximately 16 cm (6.3 in) from the windshield washer pump breakout

S152

In the forward lamp harness, approximately 7 cm (2.8 in) from the C120 (left front wheel speed sensor) breakout

S153

In the forward lam harness, approximately 13 cm (5.1 in) from the C120 (left front wheel speed sensor) breakout

S154

In the forward lamp harness, approximately 7 cm (2.8 in) from the C120 (left front wheel speed sensor) breakout

S155

In the forward lamp harness, approximately 27 cm (10.6 in) from the Electronic Throttle Control (ETC) module/cruise control module breakout

S156

In the forward lamp harness, main branch, approximately 7 cm (2.8 in) from G106 breakout

S157 (Export)

In the forward lamp harness, approximately 8 cm (3.2 in) from G105 breakout

S160

In the forward lamp harness, approximately 4 cm (1.6 in) from the electronic throttle control (ETC) module/cruise control

S163

In the forward lamp harness, approximately 11 cm (4.3 in) into the electronic brake control module (EBCM) breakout

S164

In the forward lamp harness, approximately 11 cm (4.3 in) from the main branch into the engine wiring harness junction block 2 breakout

S165

In the forward lamp harness, approximately 7 cm (2.8 in) from the main branch into the engine wiring harness junction block 2 breakout

S166

In the forward lamp harness, approximately 14 cm (5.5 in) from G105 breakout

S167

In the forward lamp harness, approximately 7 cm (2.8 in) from the electronic brake control module (EBCM) breakout

S168

In the forward lamp harness, approximately 8 cm (3.2 in) from the main branch into the engine wiring harness junction block 1 breakout

S169

In the forward lamp harness, approximately 6 cm (2.4 in) from the main branch into the engine wiring harness junction block 1 breakout

S172 (Export)

In the forward lamp harness, approximately 28 cm (11 in) from G105 breakout

S177

In the forward lamp harness, approximately 5 cm (2 in) from the engine wiring harness junction block 1 breakout

S179

In the forward lamp harness, approximately 25 cm (9.8 in) from the engine wiring harness junction block 1 breakout

S181

In the forward lamp harness, approximately 20 cm (8 in) from the engine wiring harness junction block 1 breakout

S182

In the forward lamp harness, approximately 15 cm (6 in) from the engine wiring harness junction block 1 breakout

S183

In the forward lamp harness, approximately 10 cm (4 in) from the engine wiring harness junction block 1 breakout

S185

In the forward lamp harness, at the engine wiring harness junction block 1 breakout

S202

In the forward lamp harness, approximately 28 cm (4.3 in) from C200

S203

In the forward lamp harness, main branch, approximately 4 cm (1.6 in) from the ignition switch breakout

S207

In the IP harness, main branch, approximately 4 cm (1.6 in) from the data link connector (DLC) breakout

S208

In the cross car harness, main branch, approximately 26 cm (10.2 in) from the power window control module breakout

S209

In the forward lamp harness, main branch, approximately 11 cm (4.3 in) from the ignition switch breakout

S210

In the forward lamp harness, main branch, approximately 8 cm (3 in) from the ignition switch breakout

S211

In the IP harness, main branch, approximately 7 cm (2.8 in) from the rear compartment lid release relay breakout

S214

In the IP harness, approximately 8 cm (3 in) into the instrument cluster breakout

S215

In the IP harness, main branch, approximately 11 cm (4 in) from the antenna cable breakout

S216

In the IP harness, main branch, approximately 10 cm (4 in) from the instrument cluster breakout

S217

In the IP harness, main branch, approximately 18 cm (6.8 in) from the Body Control Module (BCM) breakout

S218

In the IP harness, approximately 4 cm (1.6 in) from the instrument cluster breakout

S220

In the cross car harness, main branch, approximately 9 cm (3.5 in) from C200C breakout

S222

In the IP harness, approximately 6 cm (2.4 in) from G202 breakout, in inflatable restraint Sensing and Diagnostic Module (SDM) breakout

S224

In the IP harness, main branch, approximately 17 cm (6.7 in) from the instrument cluster breakout

S226

In the IP harness, approximately 7 cm (2.8 in) into the headlamp switch breakout

S227

In the IP harness, approximately 14cm (5.5 in) into the headlamp switch breakout

S228

In the IP harness, main branch, approximately 20 cm (7.9 in) from the rear compartment lid release relay breakout

S232

In the IP harness, approximately 7 cm (2.8 in) from the park brake switch breakout

S234

In the IP harness, main branch, approximately 5 cm (2 in) from the Body Control Module (BCM) breakout

S237

In the IP harness, main branch, approximately 6 cm (2.4 in) from the Body Control Module (BCM) breakout

S239

In the IP harness, main branch, approximately 1 cm (0.5 in) from the Body Control Module (BCM) breakout

S240

In the IP harness, main branch, approximately 17 cm (6.7 in) from the antenna cable breakout

S241

In the IP harness, main branch, approximately 4 cm (1.6 in) from the antenna cable breakout

S242

In the IP harness, approximately 4 cm (1.6 in) from the Data Link Connector (DLC) breakout

S244

In the IP harness, approximately 40 cm (15.8 in) back from C405

S244 (Convertible)

In the IP harness, approximately 46 cm (18 in) from C405

S245

In the IP harness, approximately 22 cm (8.7 in) from G200 breakout

S246

In the IP harness, main branch, approximately 3 cm (1.2 in) from the antenna cable breakout

S247

In the IP harness, approximately 16 cm (6.3 in) from G200 breakout

S249

In the IP harness, approximately 5 cm (2 in) into the diode network breakout

S250

In the IP harness, approximately 29 cm (11.4 in) from G200 breakout

S251

In the IP harness, at IP fuse block breakout

S252 (Convertible)

In the IP harness, main branch, approximately 48 cm (19 in) from G200 breakout

S253

In the IP harness, main branch, approximately 4 cm (1.6 in) from the instrument cluster breakout

S254

In the IP harness, approximately 7 cm (2.8 in) from the main branch into the C200 breakout

S255

In the IP harness, approximately 7 cm (2.8 in) into the IP fuse block breakout

S260

In the cross car harness, main branch, approximately 11 cm (4.3 in) from the inside rearview mirror breakout

S263

In the cross car harness, main branch, approximately 16 cm (6.3 in) from the C200C breakout

S267

In the cross car harness, main branch, approximately 24 cm (9.5 in) from inside rearview mirror breakout

S268

In the cross car harness, main branch, approximately 18 cm (7.1 in) from inside rearview mirror breakout

S284

In the IP harness, approximately 11 cm (4.3 in) from the G202 breakout

S285

In the IP harness, approximately 21 cm (8.3 in) from the G202 breakout

S317

In the IP harness, main branch, approximately 40 cm (15.8 in) from the left rear courtesy lamp breakout

S320

In the seat jumper harness, main branch, approximately 7 cm (2.8 in) from C310 breakout

S321

In the seat jumper harness, main branch, approximately 13 cm (5.1 in) from C310 breakout

S331

In the passenger seat harness, approximately 30 cm (11.8 in) from C305 breakout

S333

In the IP harness, main branch, approximately 23 cm (9.1 in) from the remote compact disc player/left rear speaker breakout

S333 (Convertible)

In the IP harness, approximately 11 cm (4.3 in) from the Body Control Module (BCM) breakout

S400

In the rear body harness, main branch, approximately 20 cm (7.9 in) from P400 breakout, toward the right taillamp

S404

In the rear body harness, approximately 21 cm (8.3 in) from P400

S406

In the rear body harness, between P400 and C400 in breakout, approximately 11 cm (4.3 in) from P400

S408

In the rear body harness, main branch, approximately 20 cm (7.9 in) from P400

S410

In the rear body harness, main branch, approximately 27 cm (10.3 in) from P400 breakout, toward the right taillamp

S415

In the rear fascia harness, approximately 13 cm (5.1 in) from the license lamp breakout

S420

In the hatch harness, main branch, approximately 7 cm (2.8 in) from P300 breakout

S430

In the rear fascia harness, main branch, approximately 12 cm (5.7 in) from the license lamp breakout

S440

In the rear fascia harness, main branch, approximately 5 cm (2 in) from license lamp breakout

S440 (Export)

In the rear fascia harness, main branch, approximately 7 cm (2.8 in) from license lamp breakout

S470

In the IP harness, approximately 6 cm (9.5 in) from the G400 breakout

S501

In the cross car harness, approximately 4 cm (1.6 in) from the left outside rearview mirror breakout

S504

In the cross car harness, approximately 11 cm (4.3 in) from the left outside rearview mirror breakout

S600 - S699

In the cross car harness, approximately 7 cm (2.8 in) from the right outside rearview mirror breakout

P100

Left side in the dash panel, engine to the passenger compartment

Left side in the dash panel, from the engine compartment to the passenger compartment

P110

Right side in the dash panel, engine to the passenger compartment

P300 - P399

In the rear center of the roof, near the dome lamp

P400 - P499

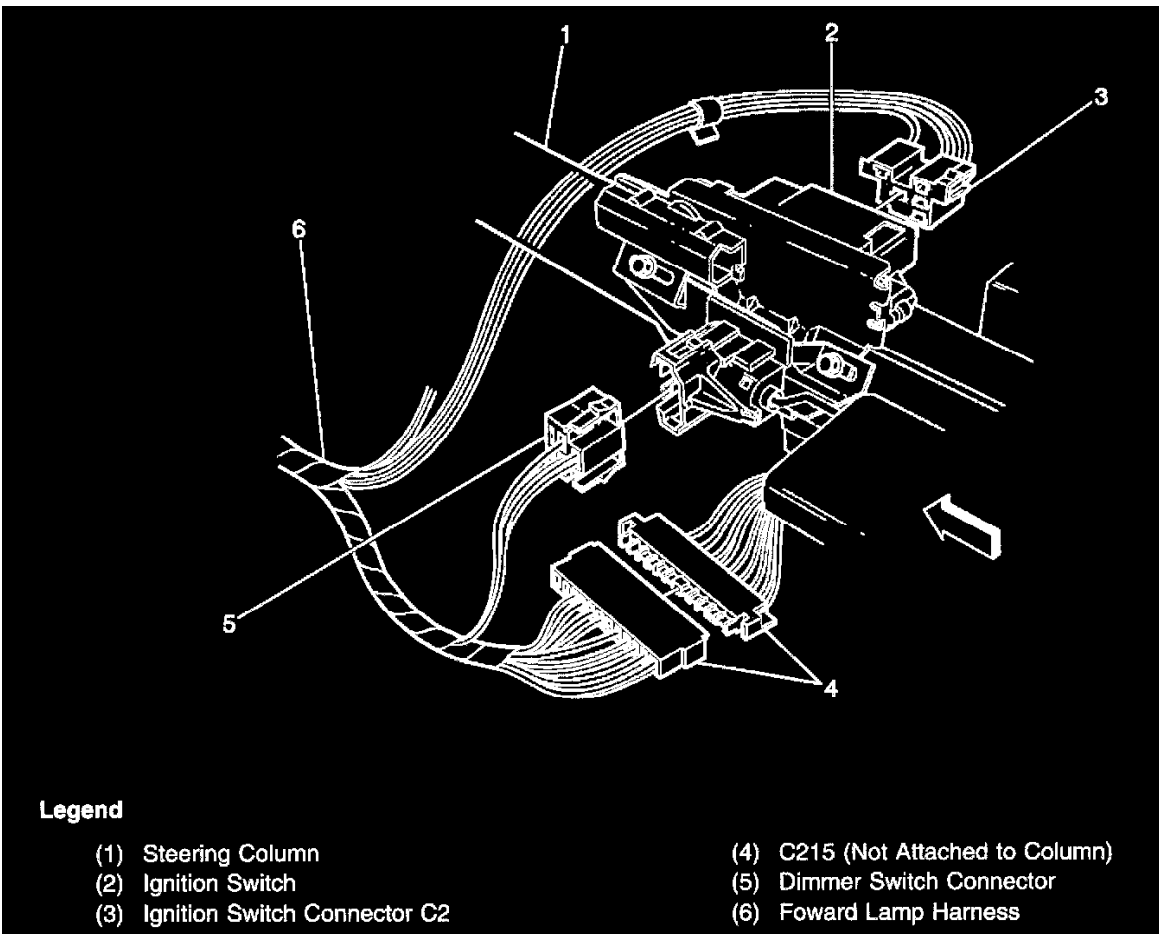
In the rear of the cargo compartment, left of the rear compartment lid release actuator

P500 - P599

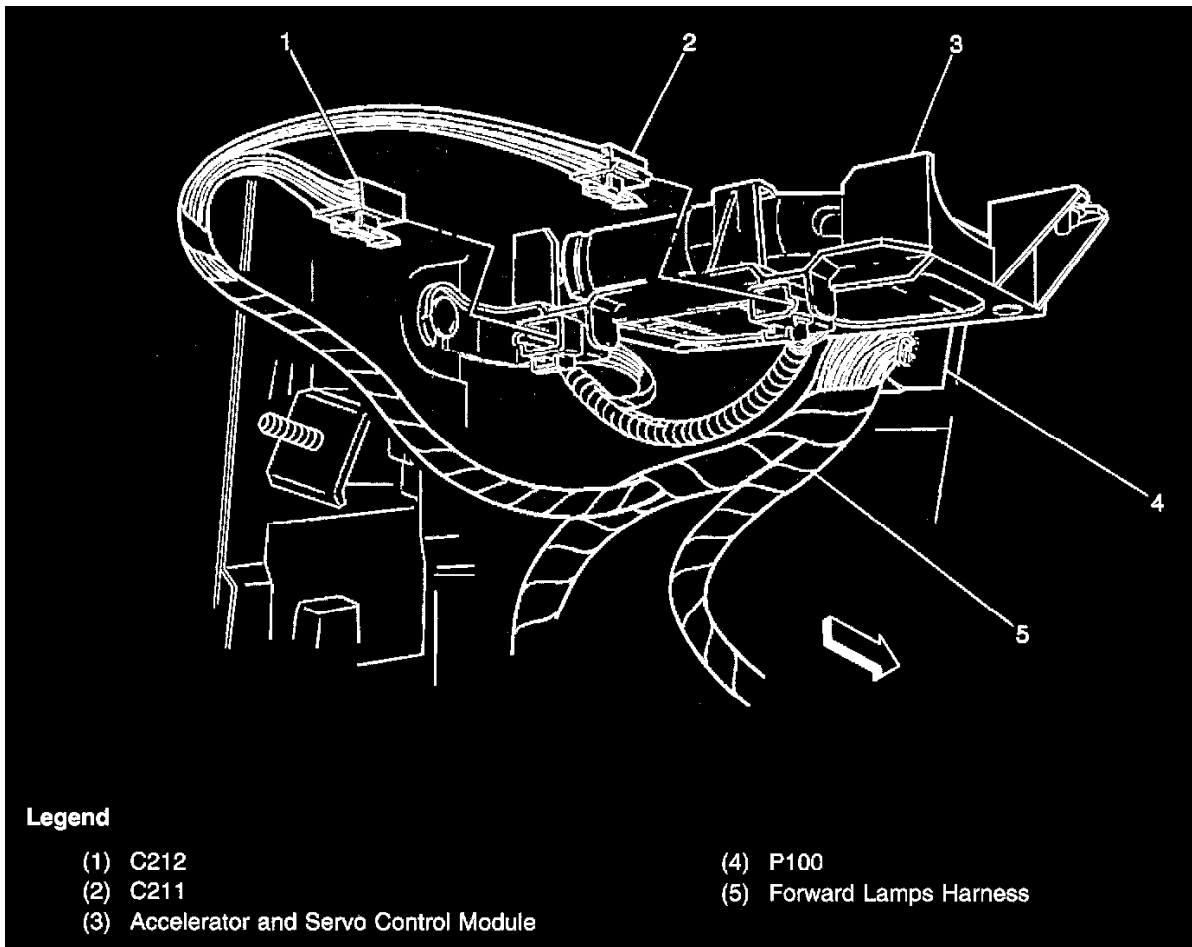
Between the driver door and A-pillar

P600 - P699

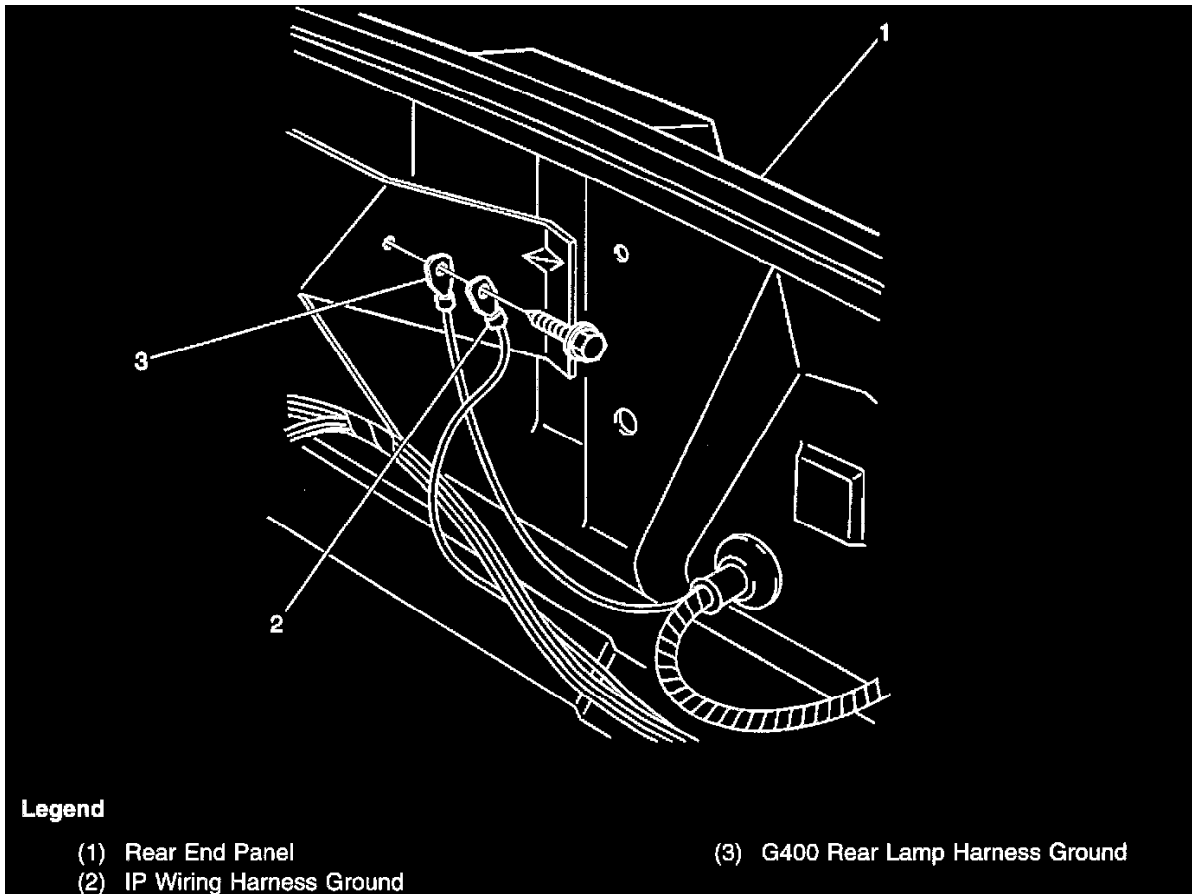
Between the passenger door and A-pillar



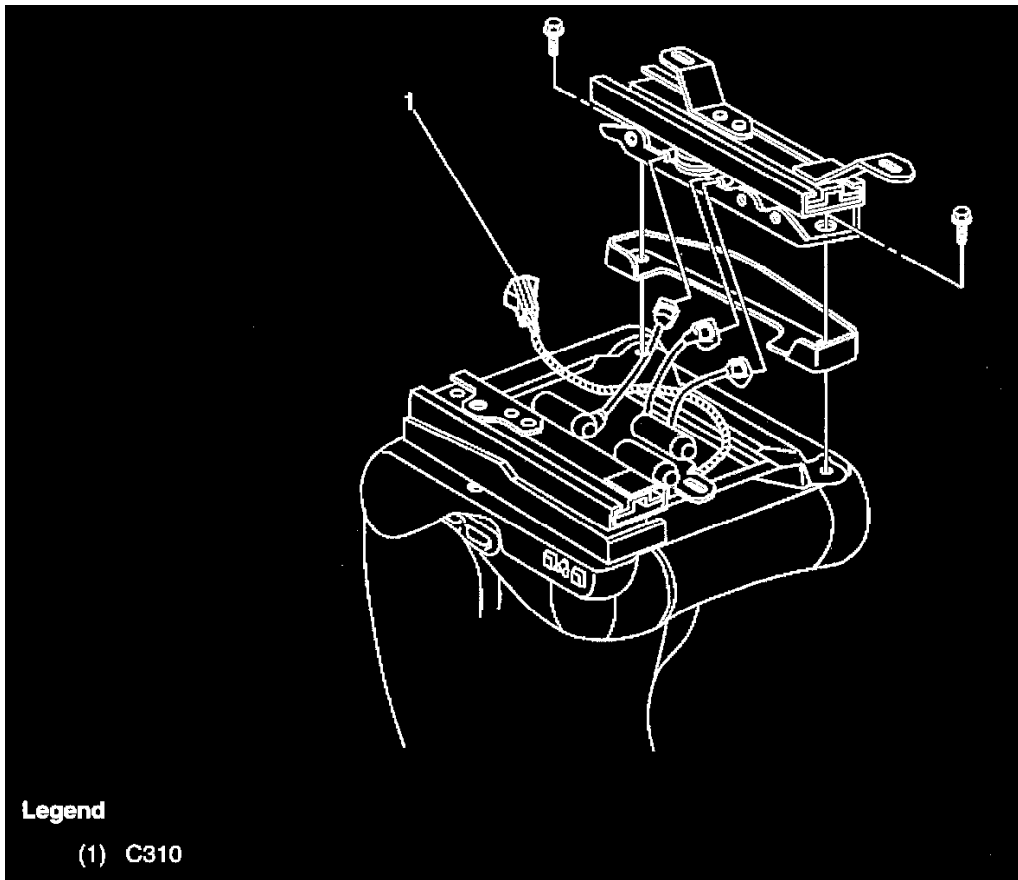
Harness Routing Views (Base Of Steering Column)



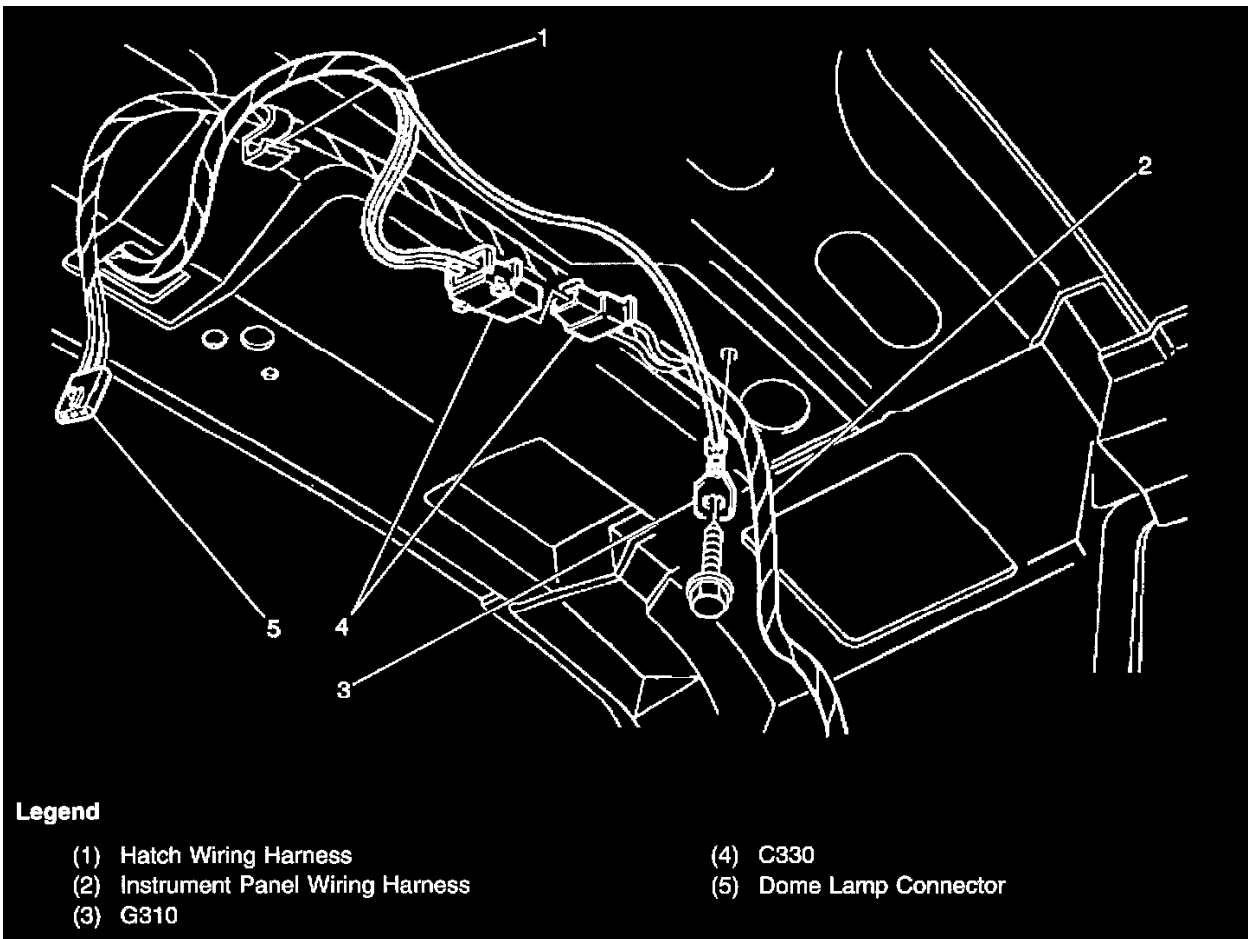
Harness Routing Views (Behind Lower Left Side Of IP)



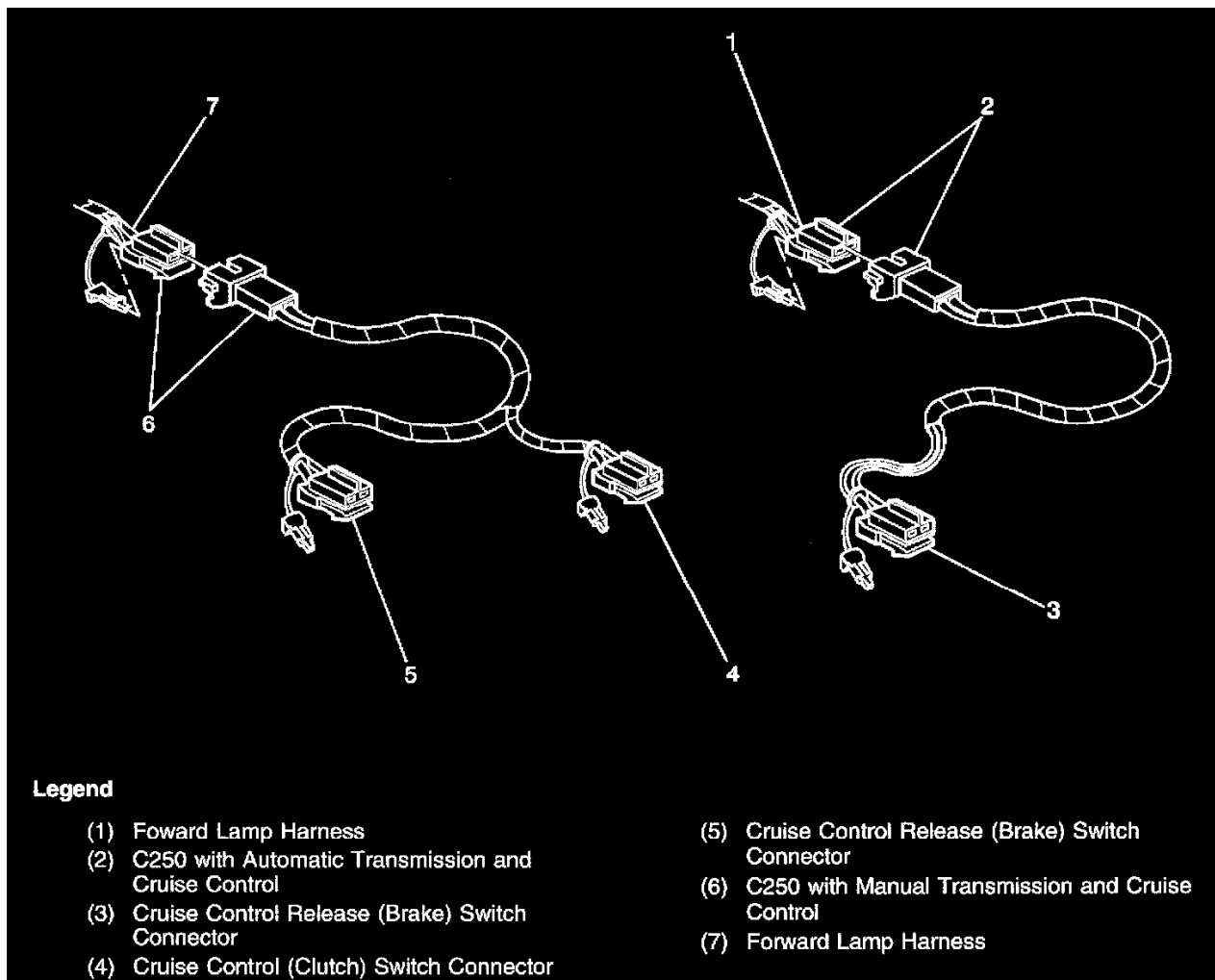
Harness Routing Views (Rear Body)



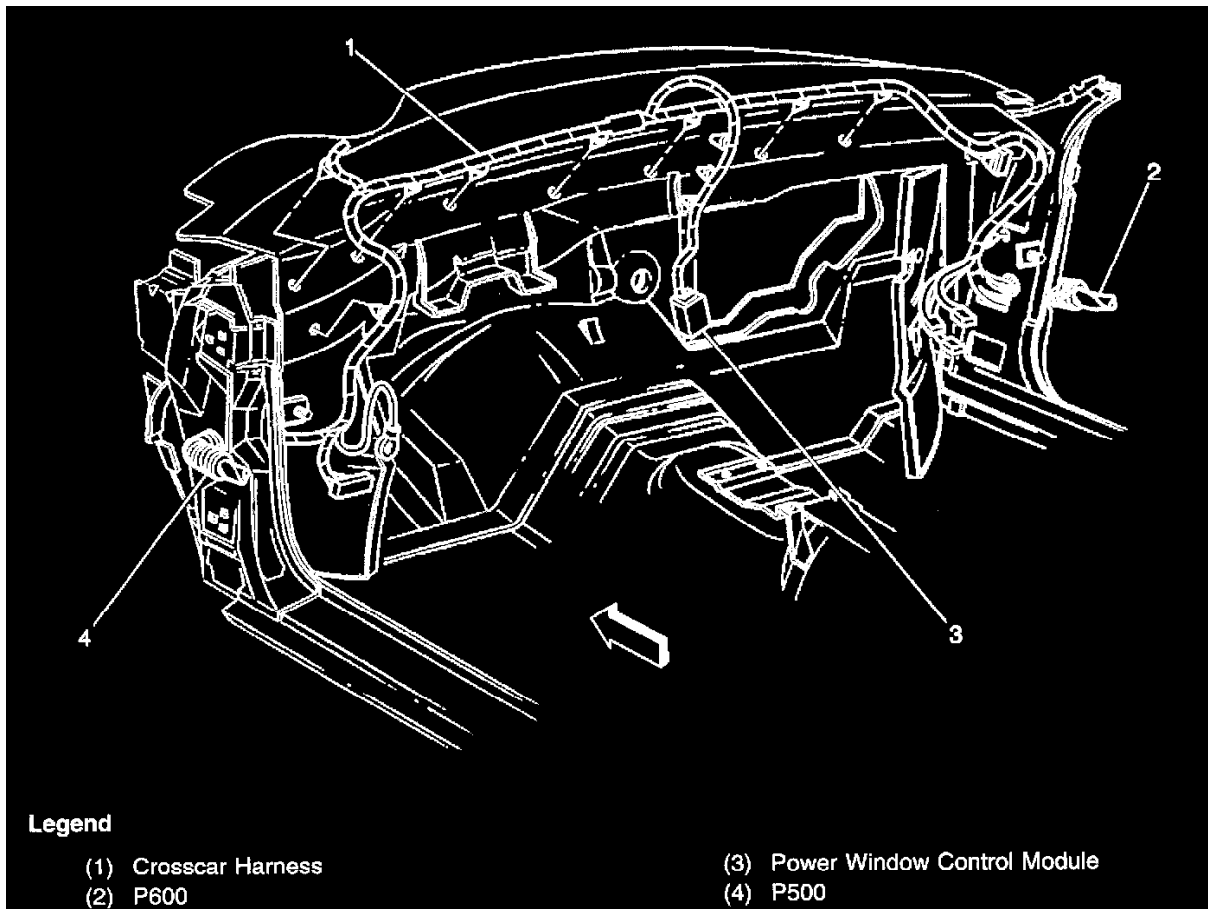
Harness Routing Views (Bottom Of Driver Seat (AG1))



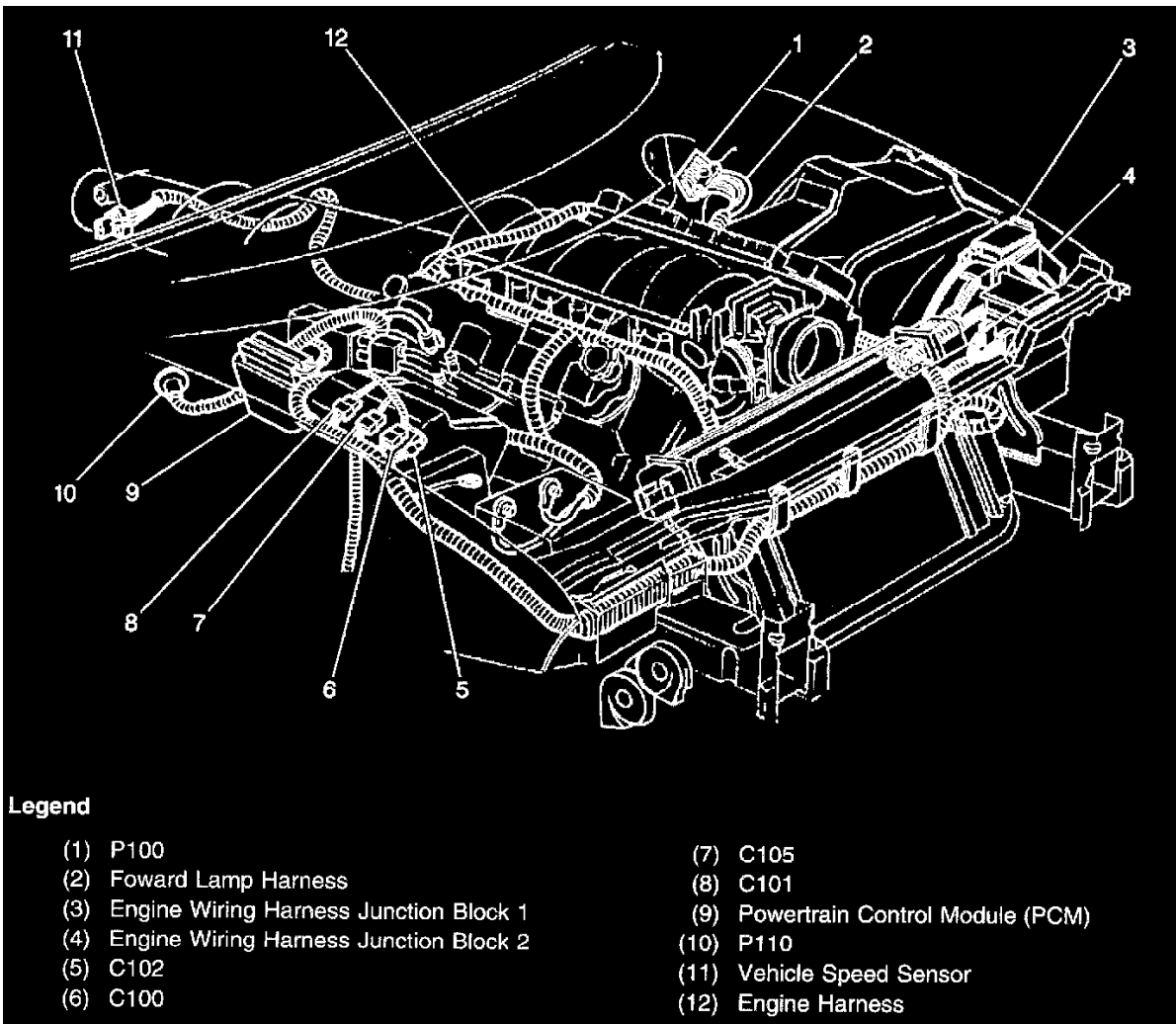
Harness Routing Views (Center Rear Of Roof Panel)



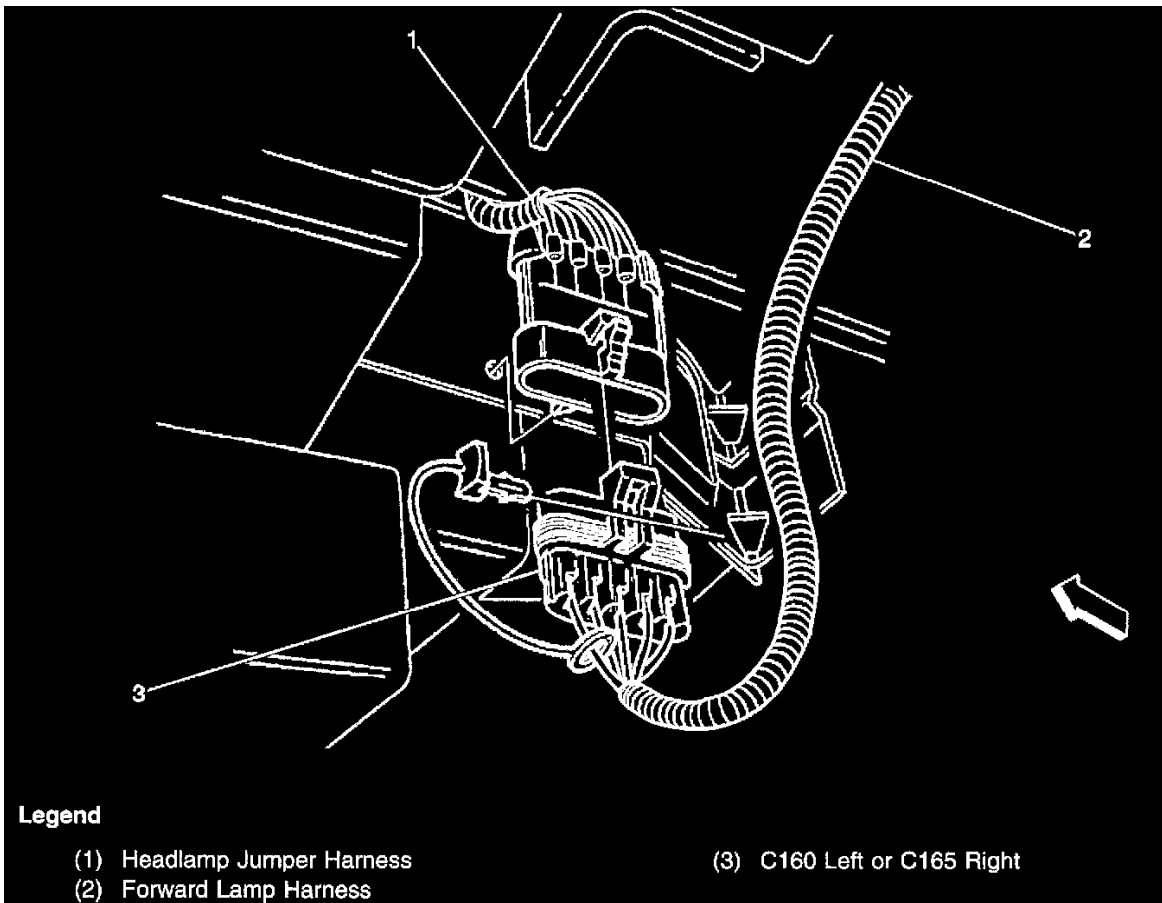
Harness Routing Views (Clutch Jumper Harness Combinations)



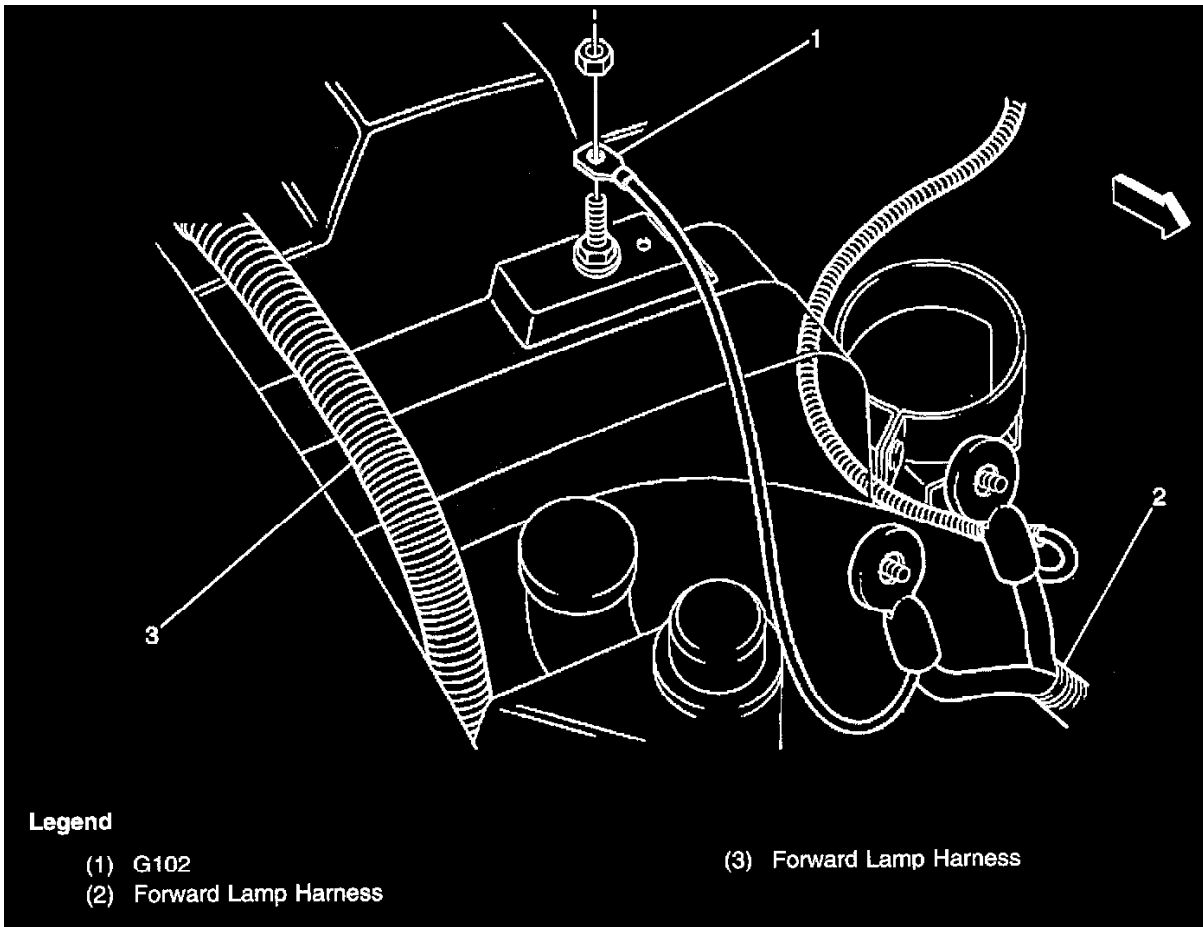
Harness Routing Views (Dash Panels)



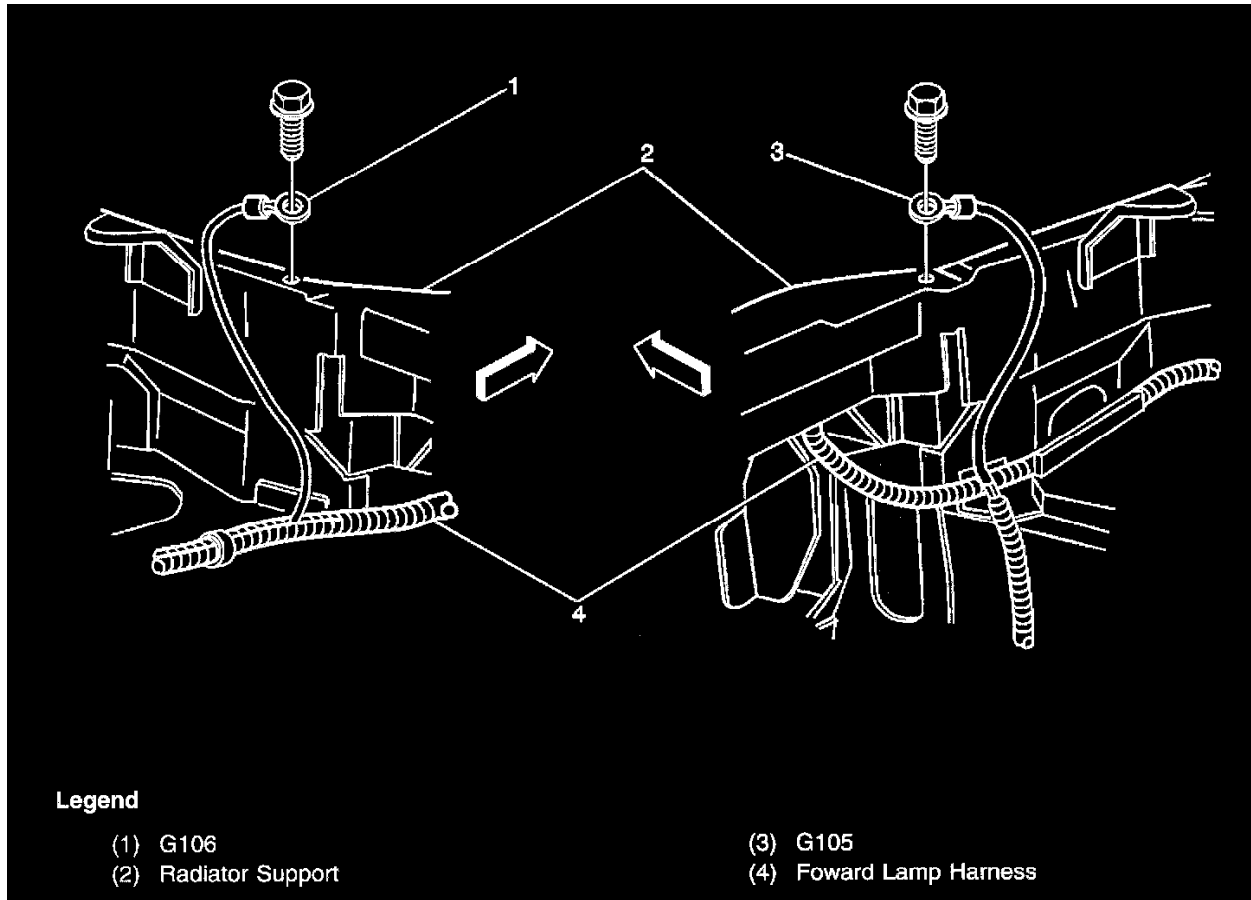
Harness Routing Views (Engine Compartment)



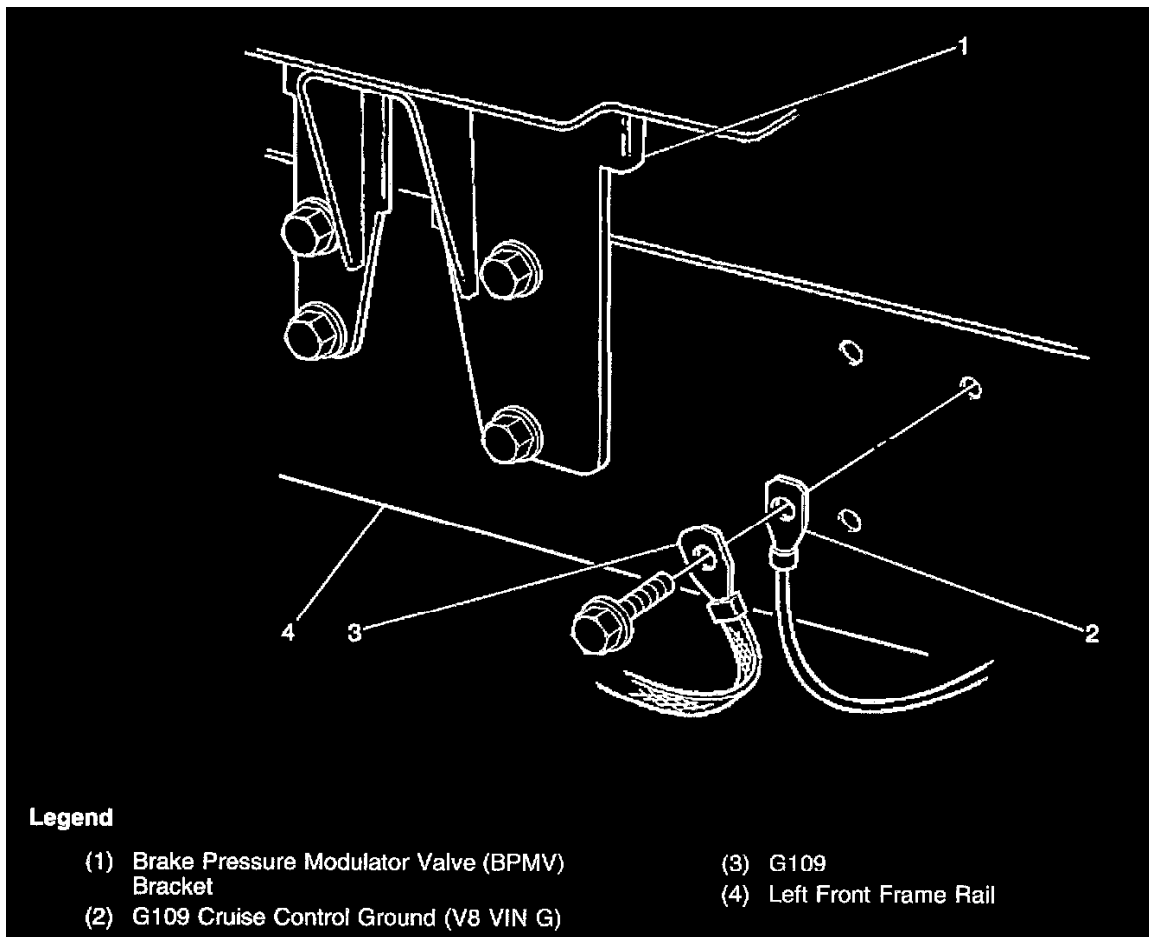
Harness Routing Views (Right Front Compartment)



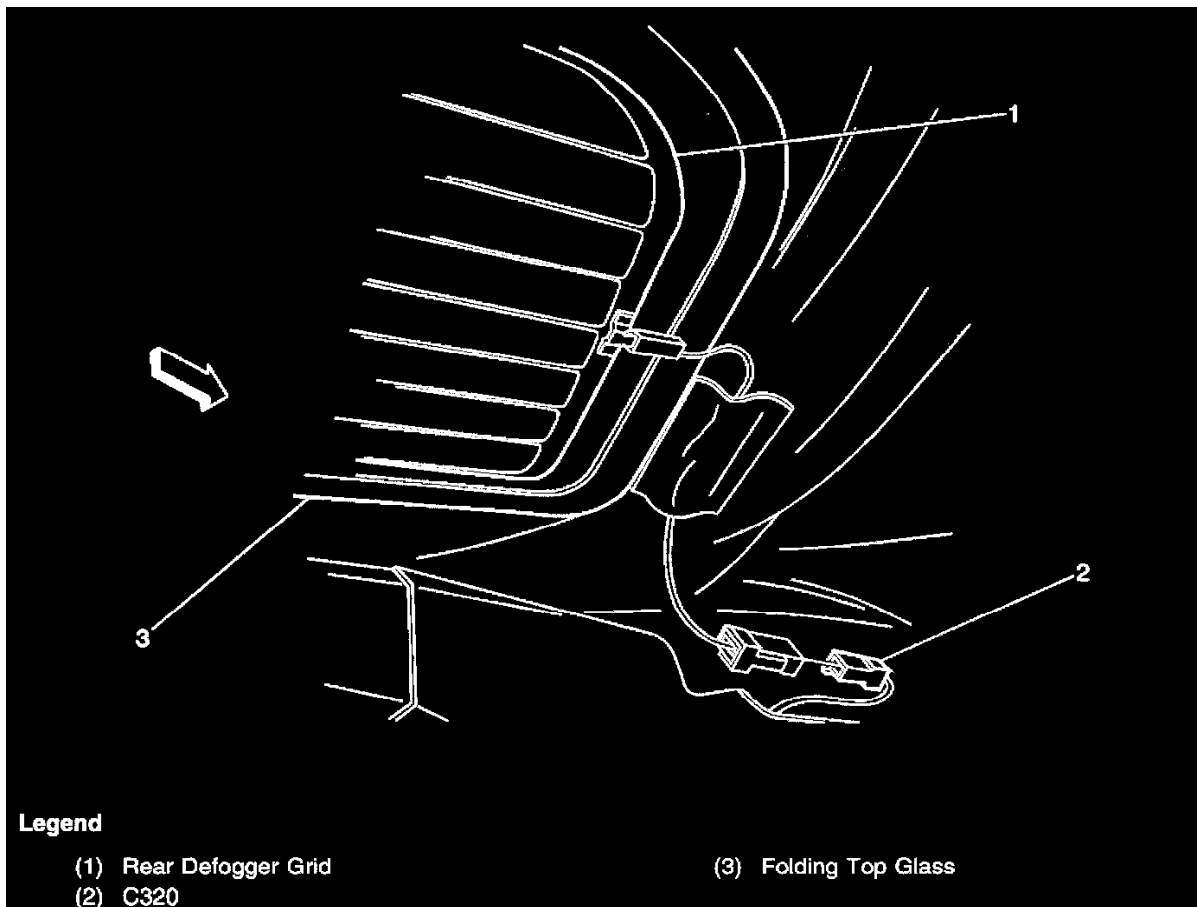
Harness Routing Views (Right Front Engine Compartment)



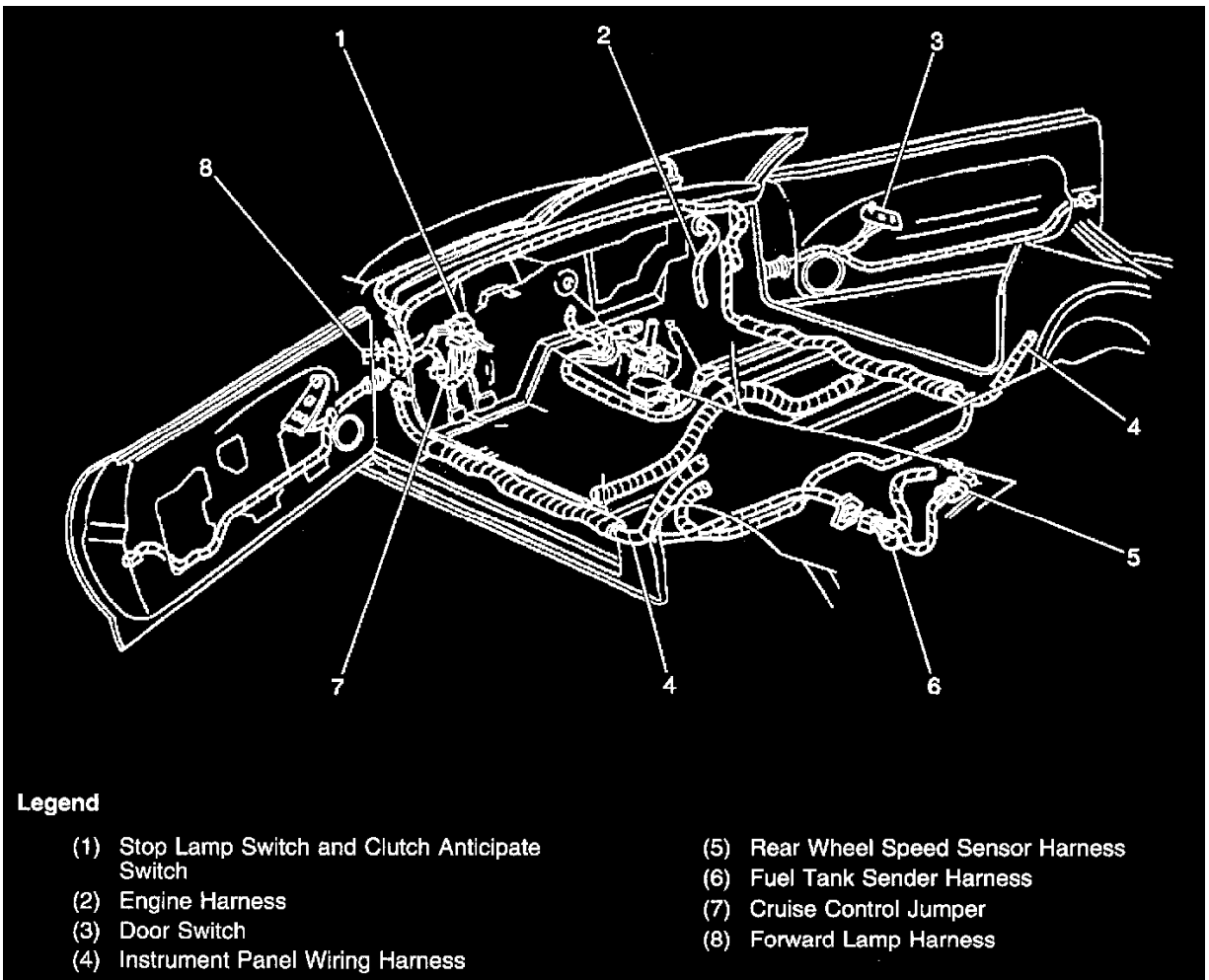
Harness Routing Views (Forward Lamp Harness Grounds)



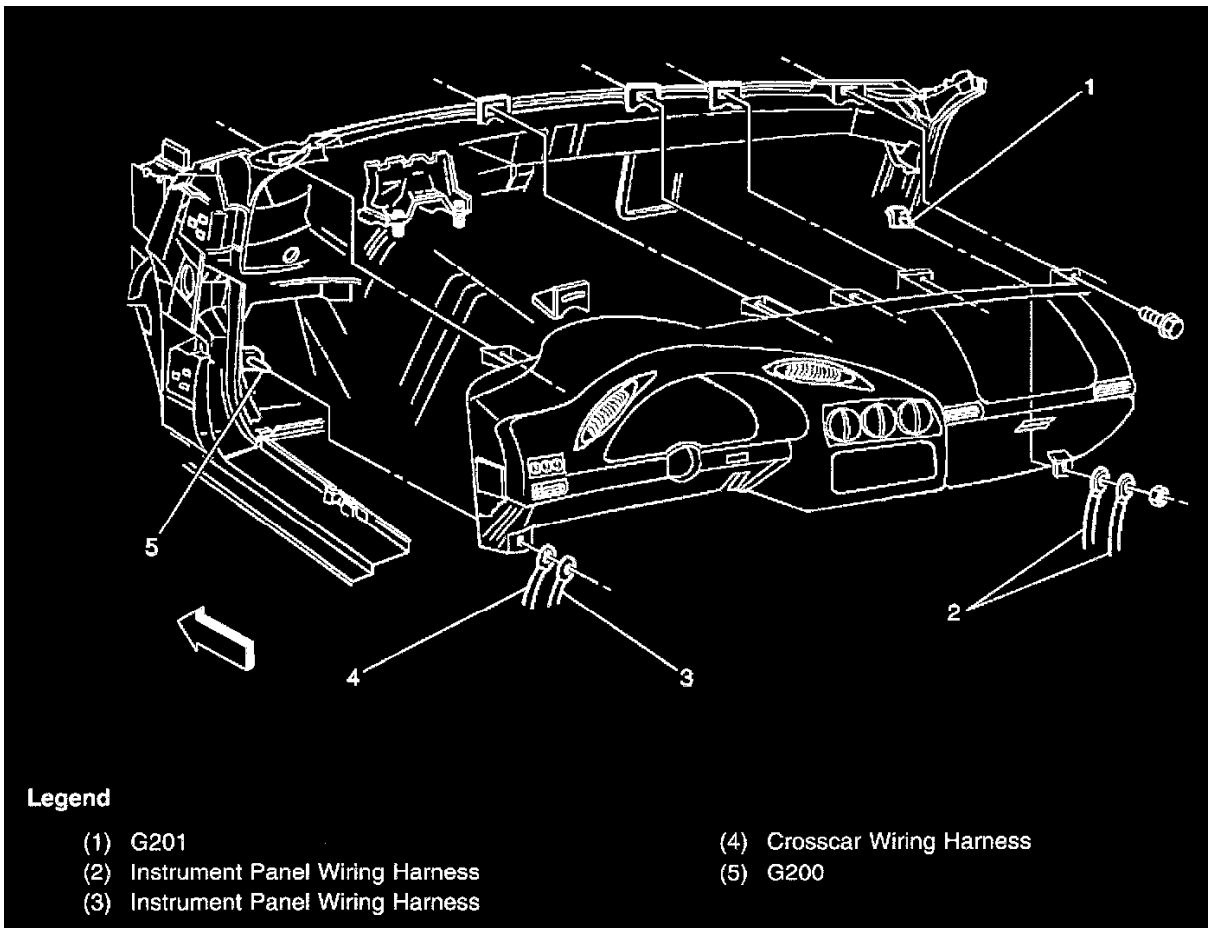
Harness Routing Views (Left Frame Rail)



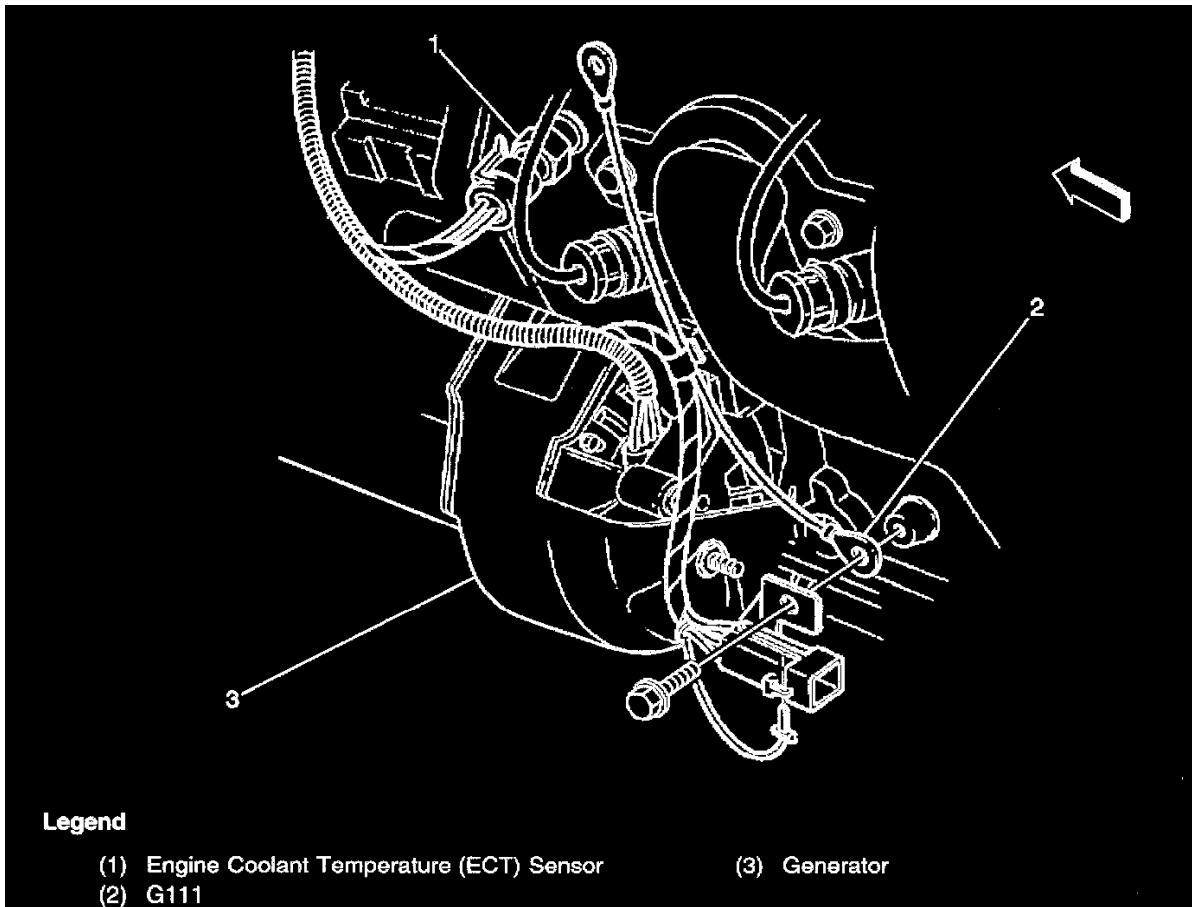
Harness Routing Views (Inside Rear Convertible Top)



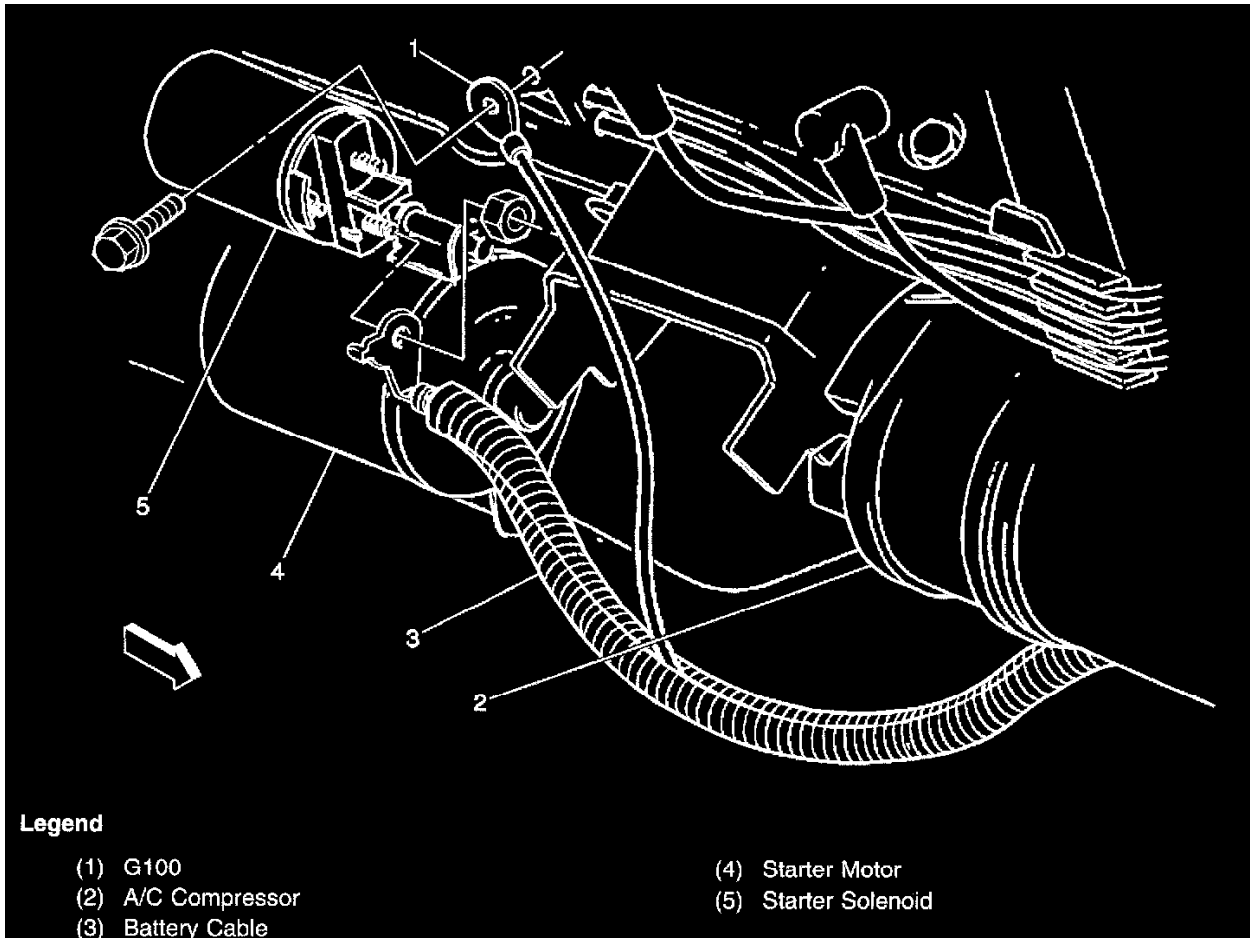
Harness Routing Views (Interior Body)



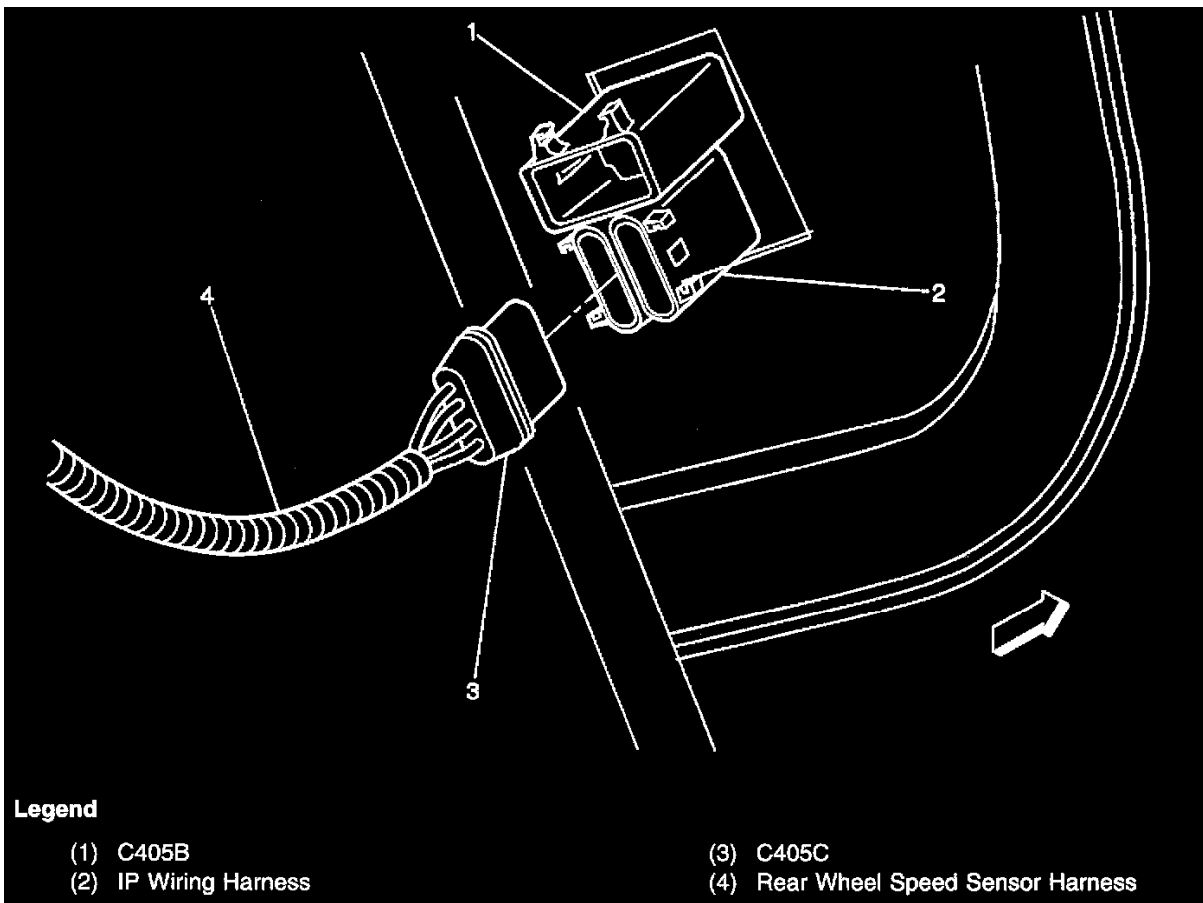
Harness Routing Views (IP Ground)



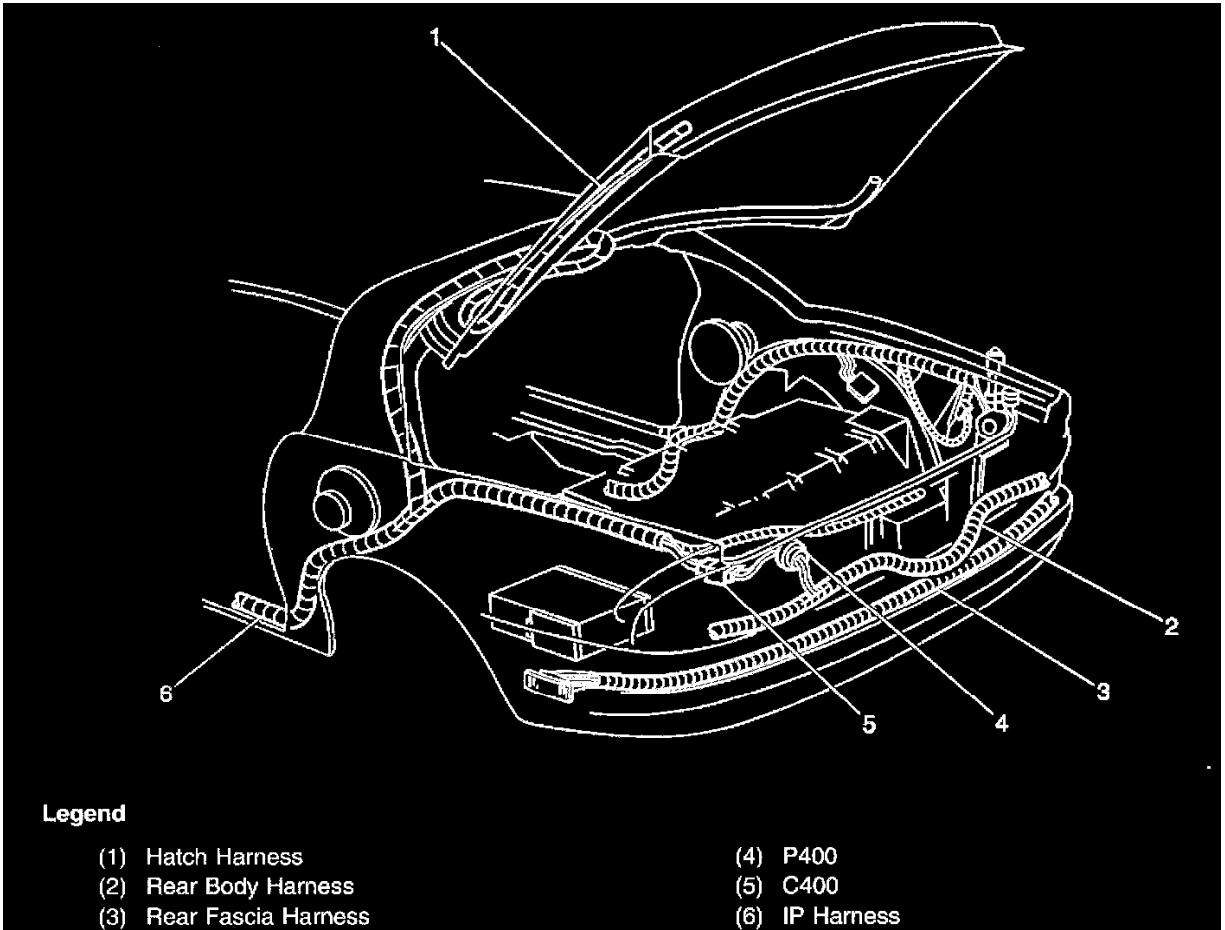
Harness Routing Views (Lower Left Front Of Engine)



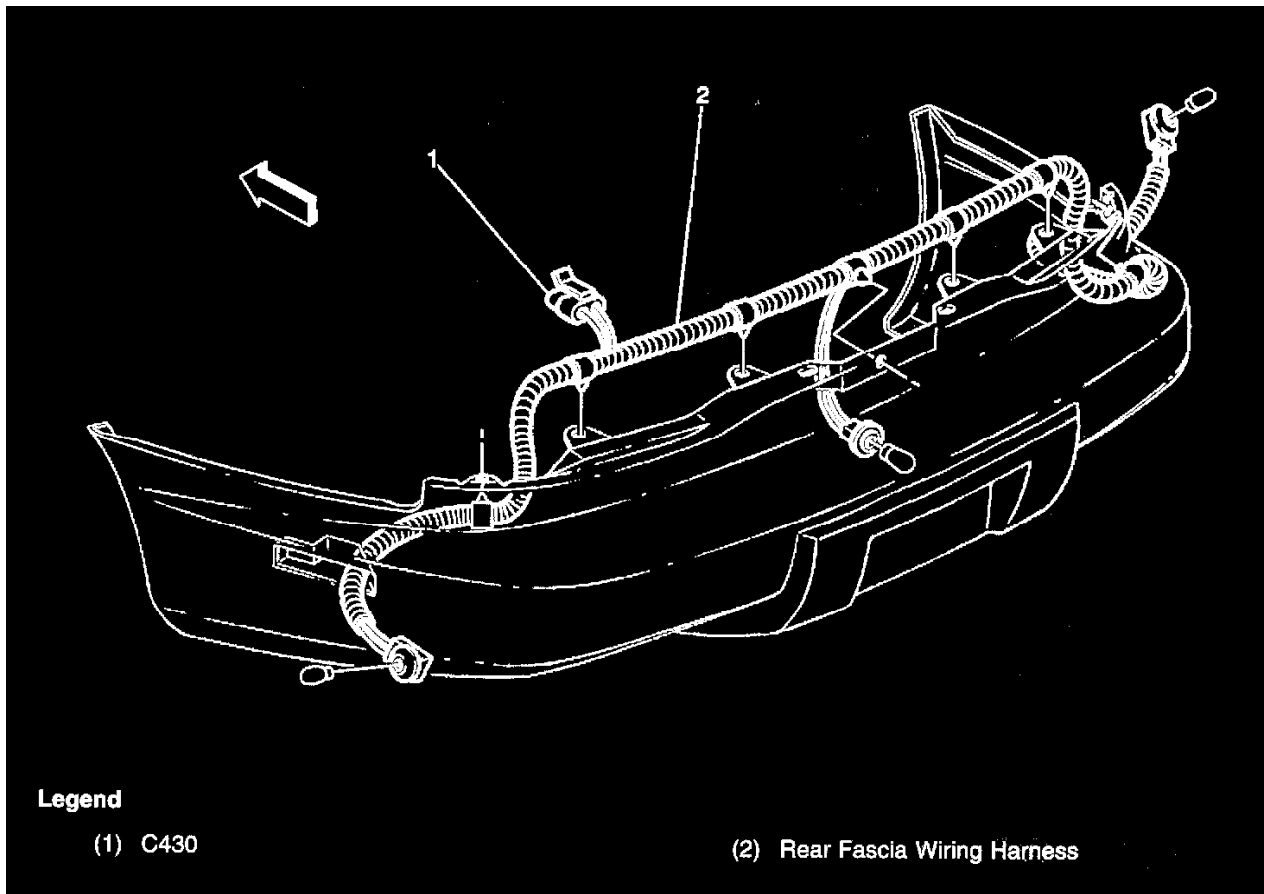
Harness Routing Views (Lower Right Side Of Engine)



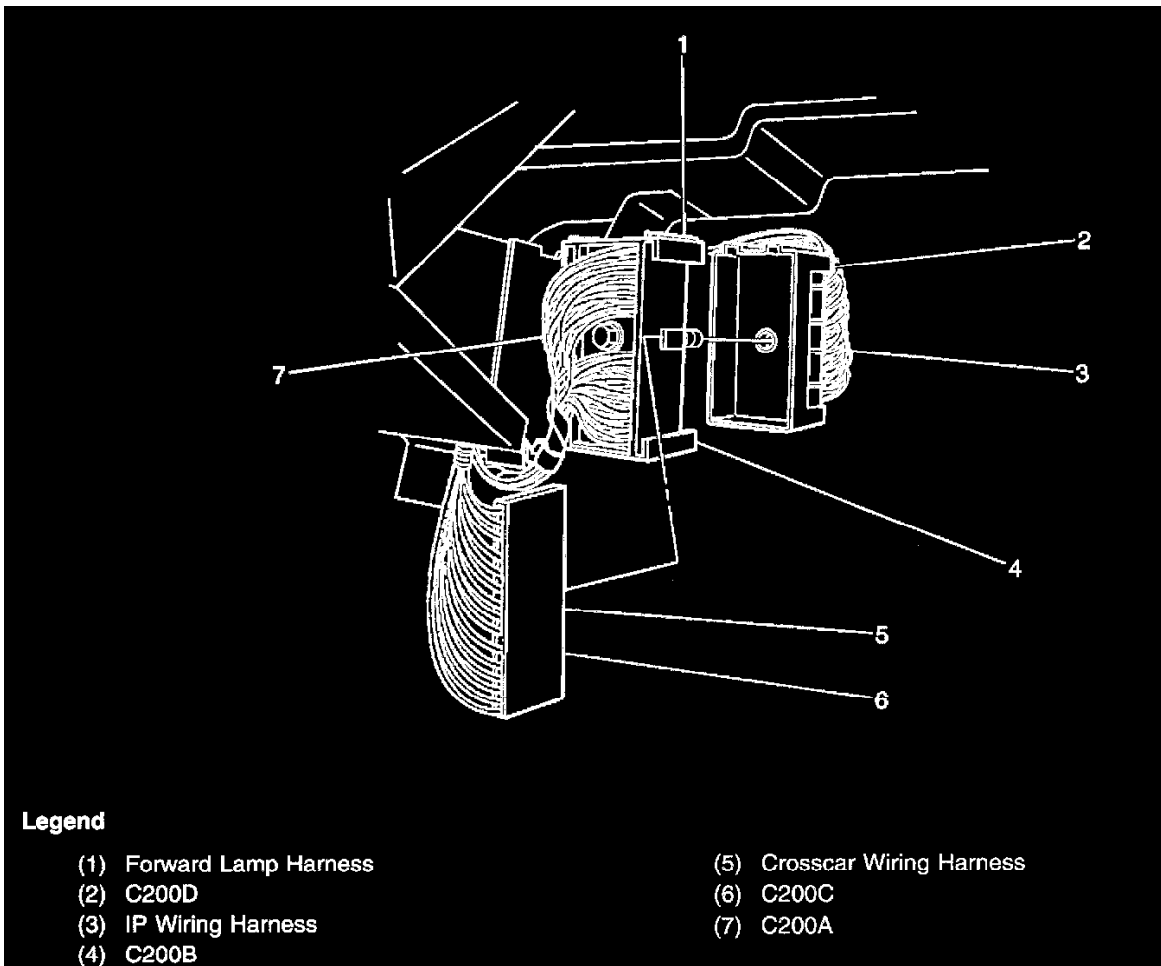
Harness Routing Views (Outside Left Of Rear Floor Pan, Forward Of Rear Axle)



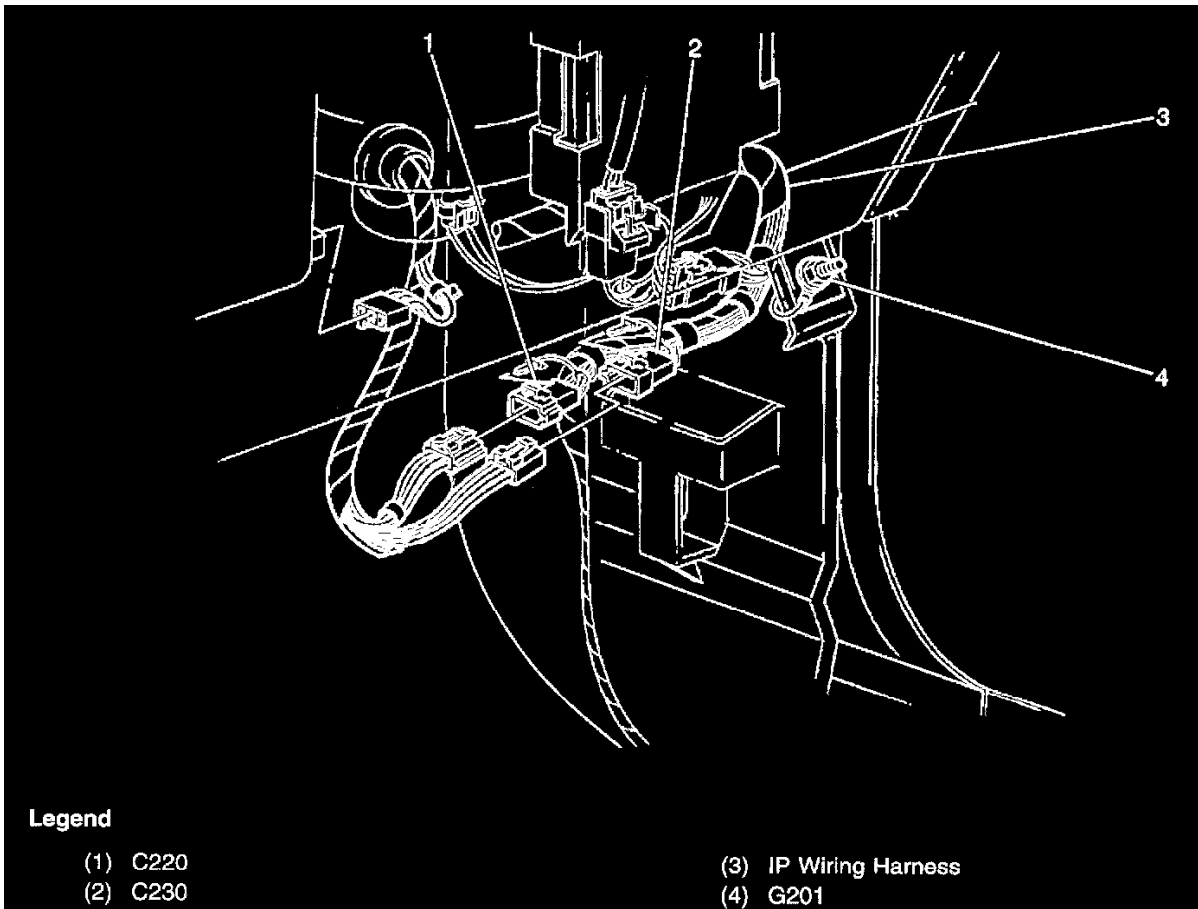
Harness Routing Views (Rear Compartment (Coupe))



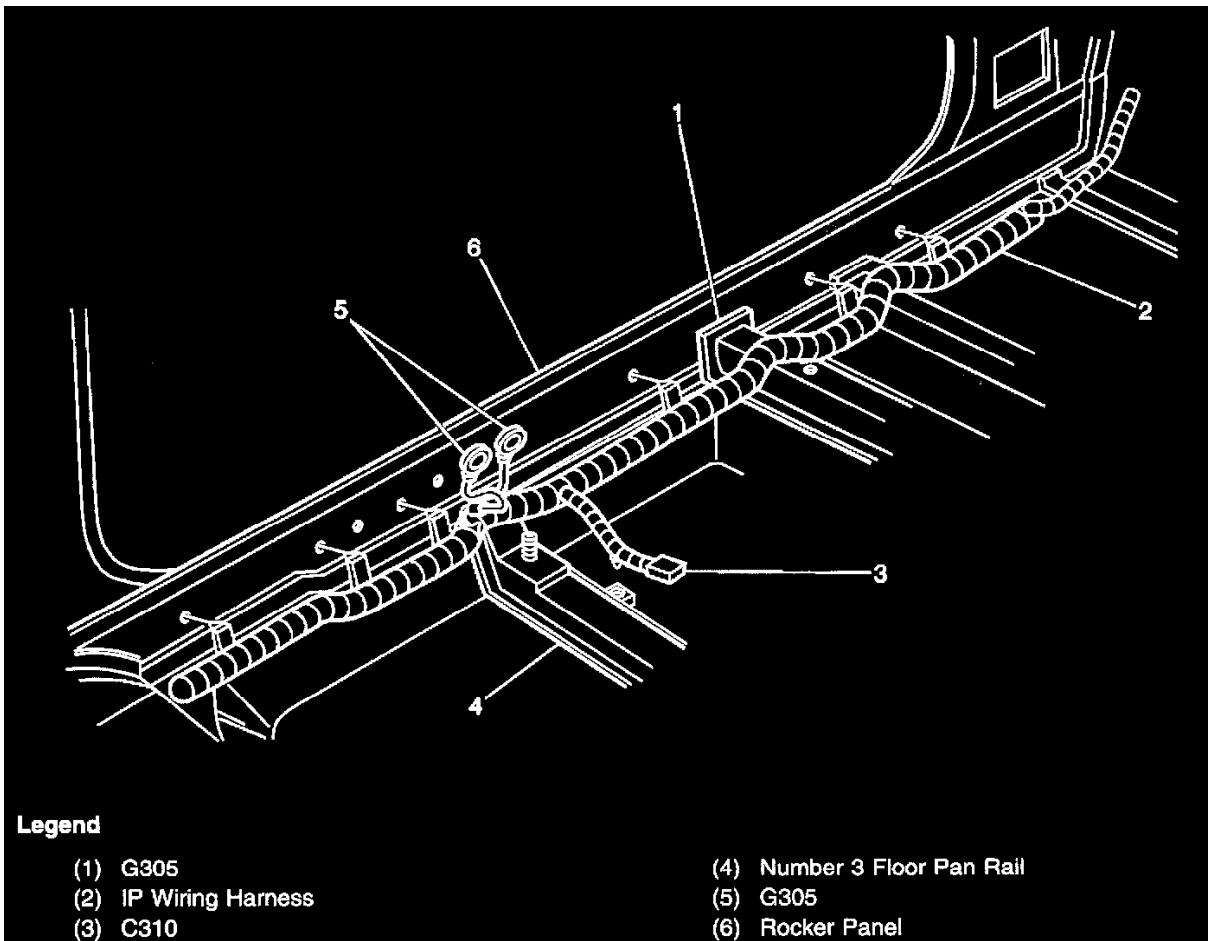
Harness Routing Views (Rear Fascia)



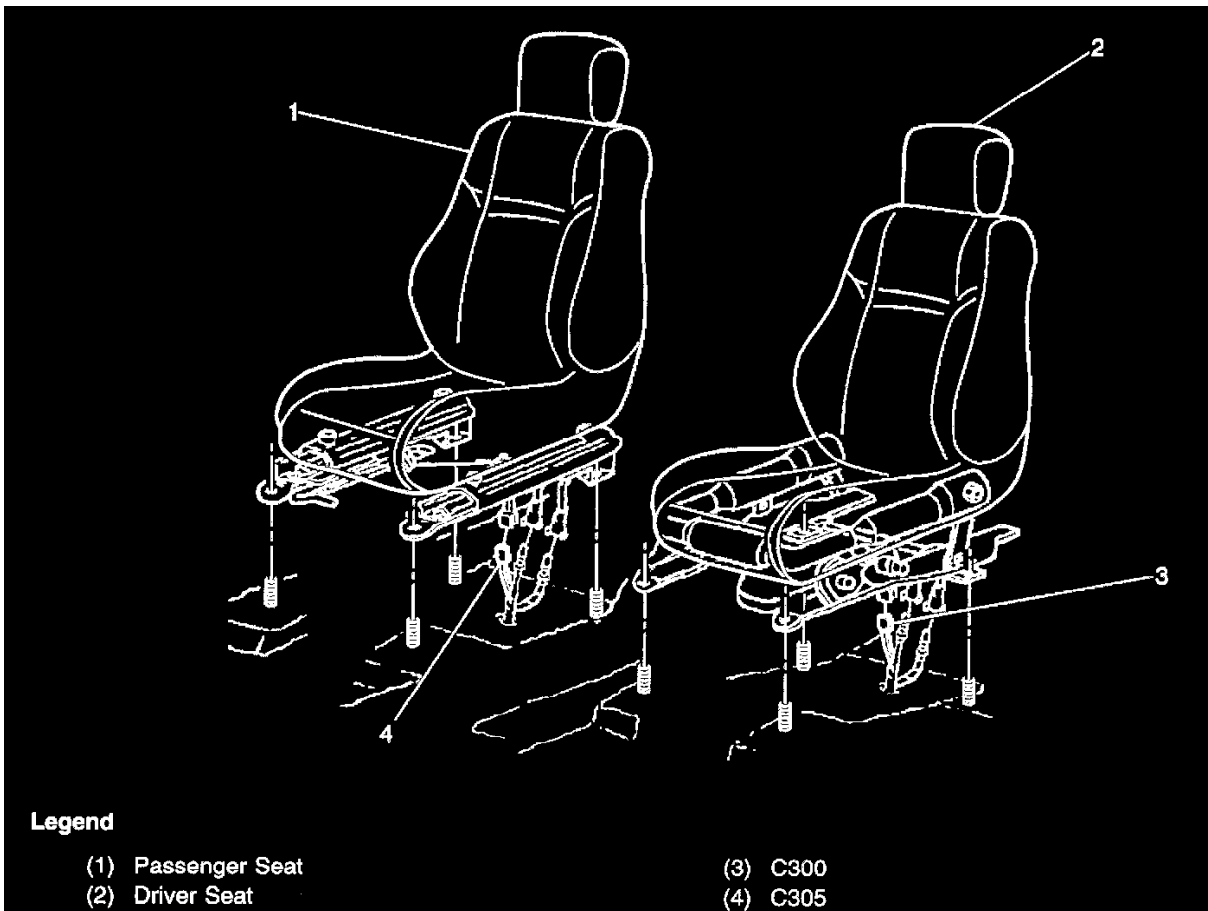
Harness Routing Views (Rear Left Side Of IP)



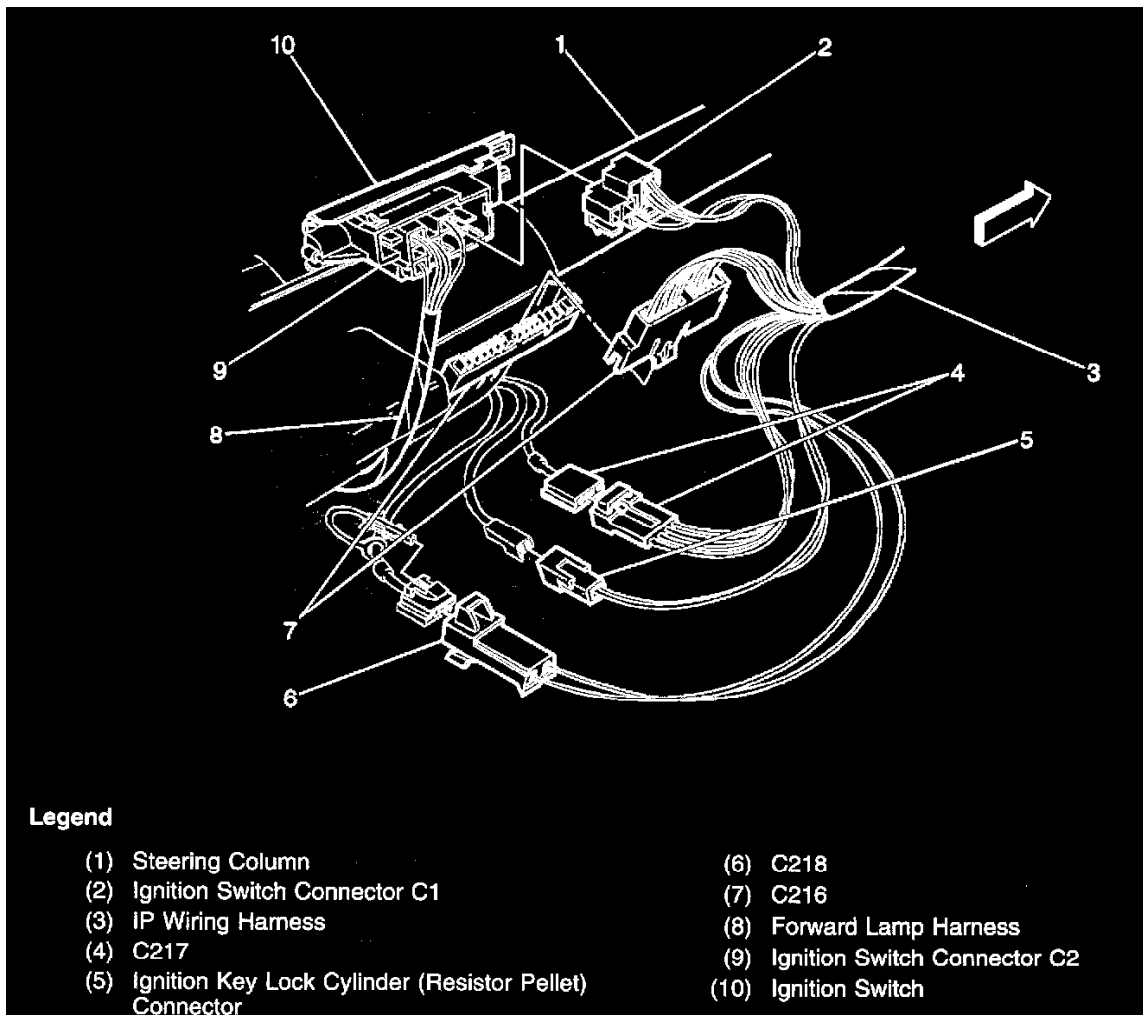
Harness Routing Views (Right Side Of The IP)



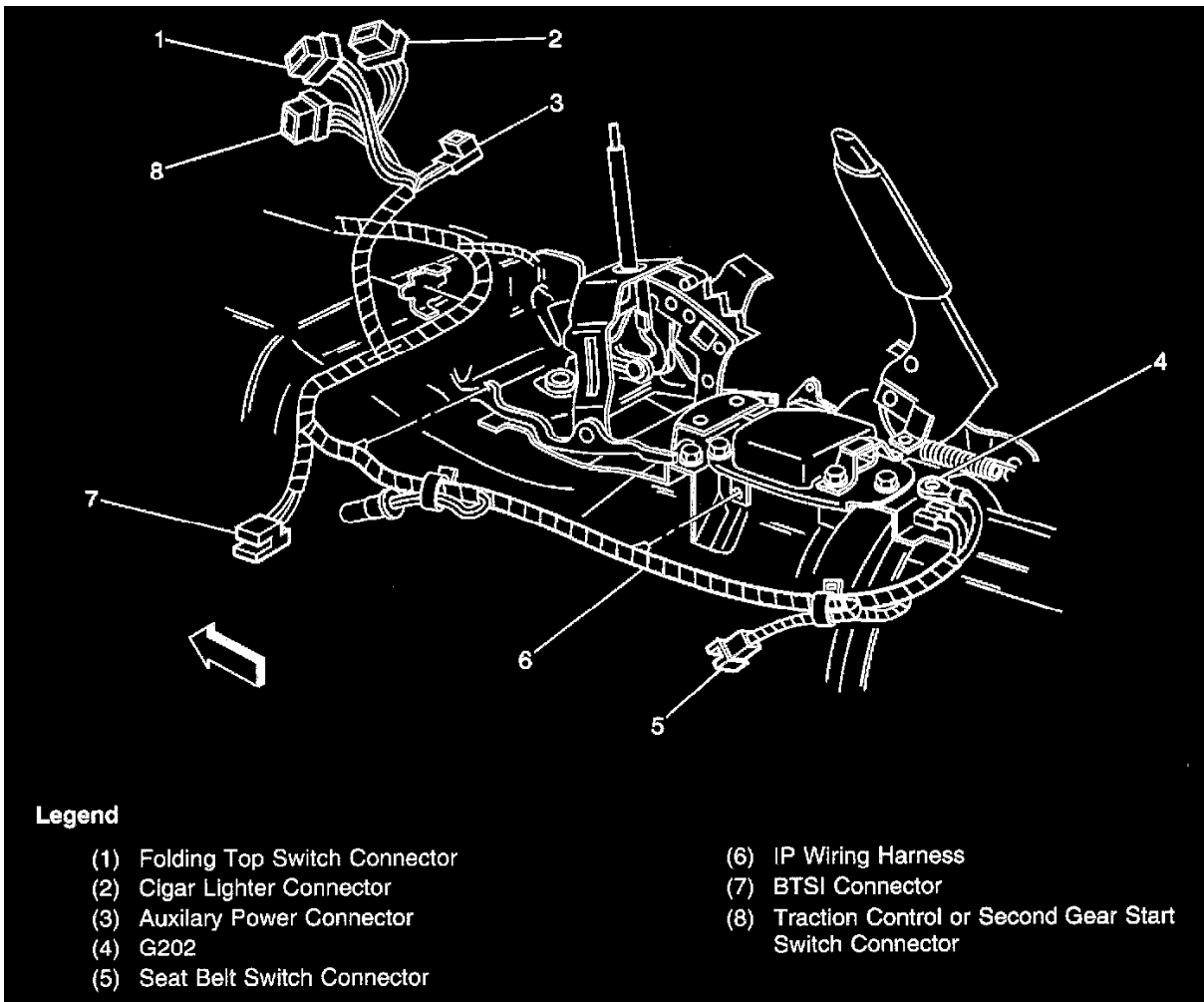
Harness Routing Views (Left Rocker Panel)



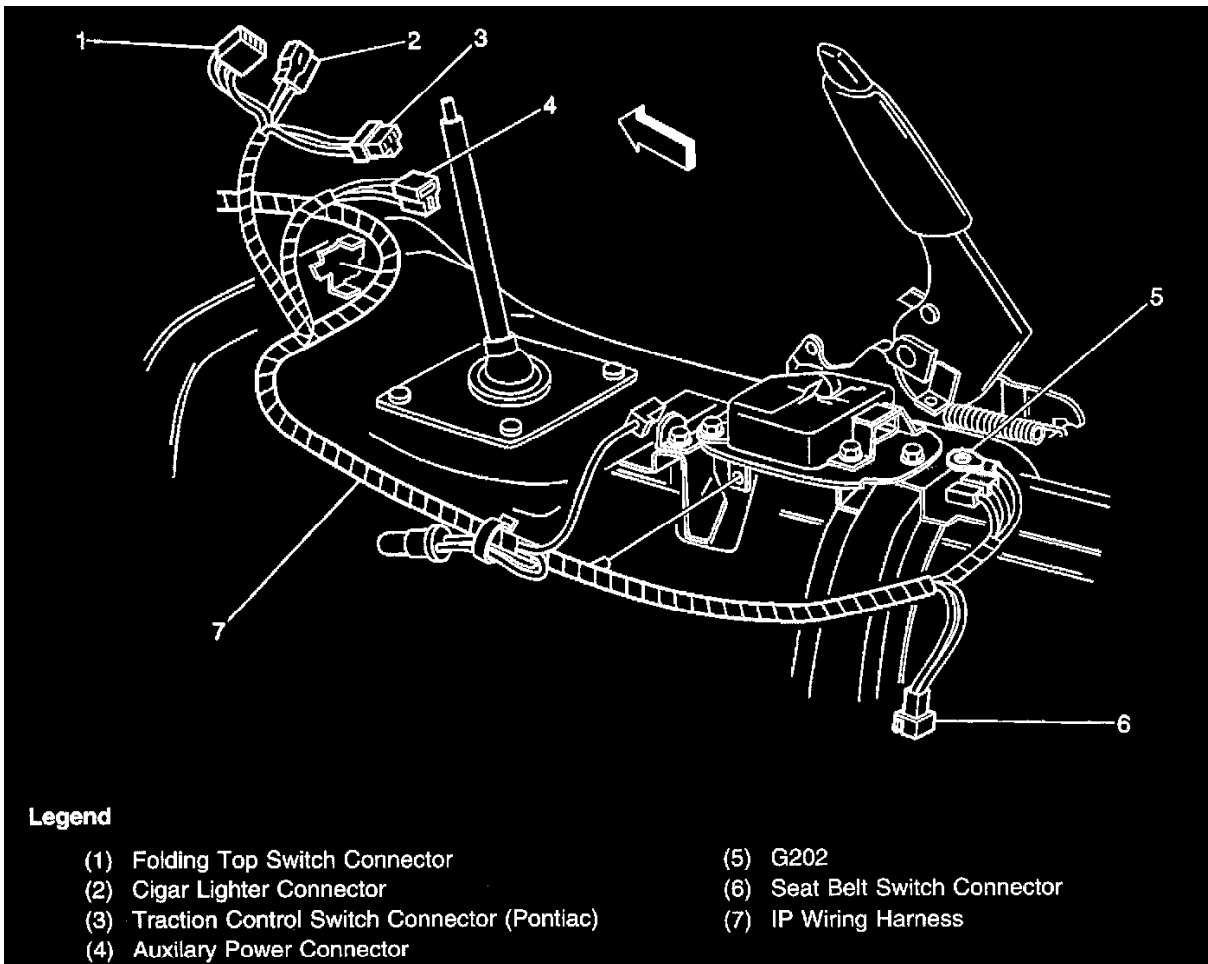
Harness Routing Views (Seats)



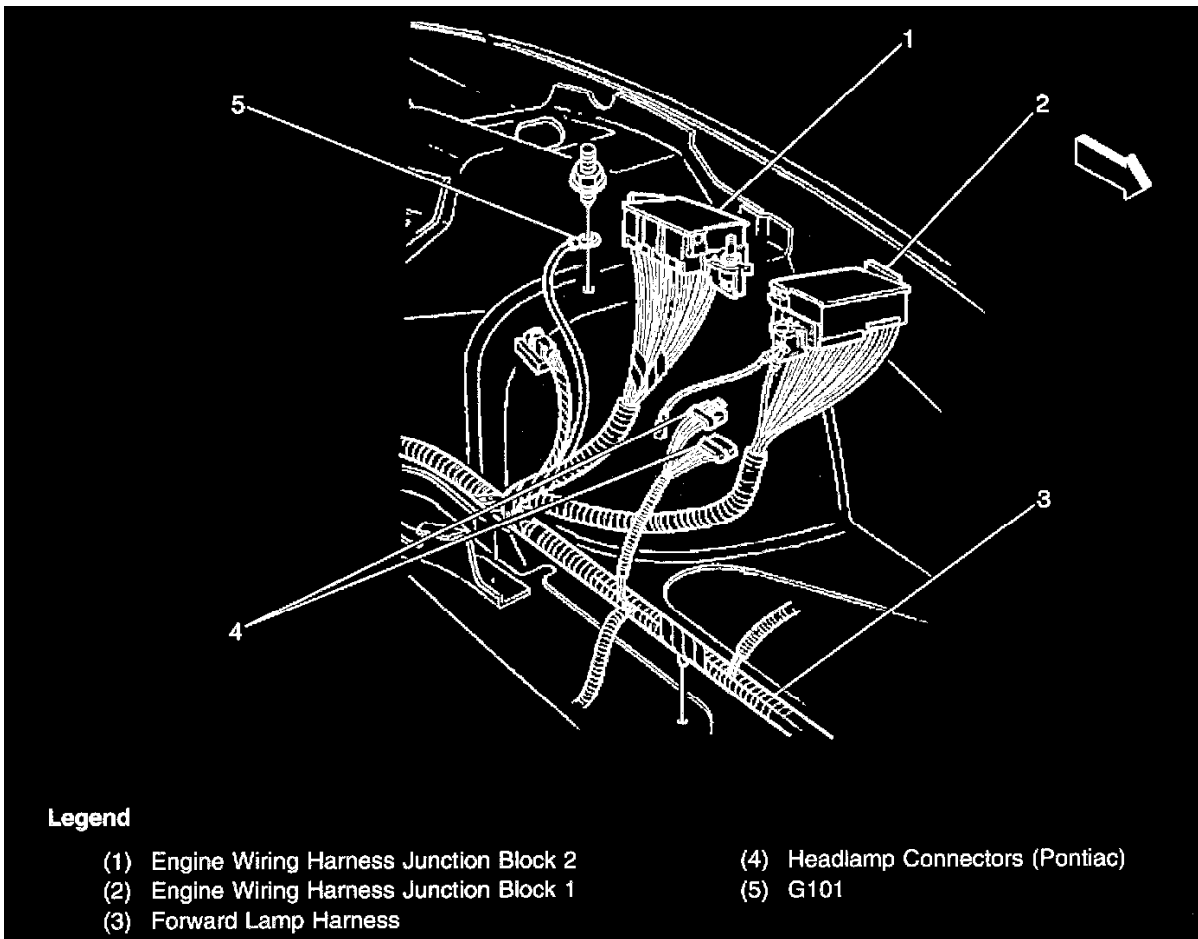
Harness Routing Views (Steering Column)



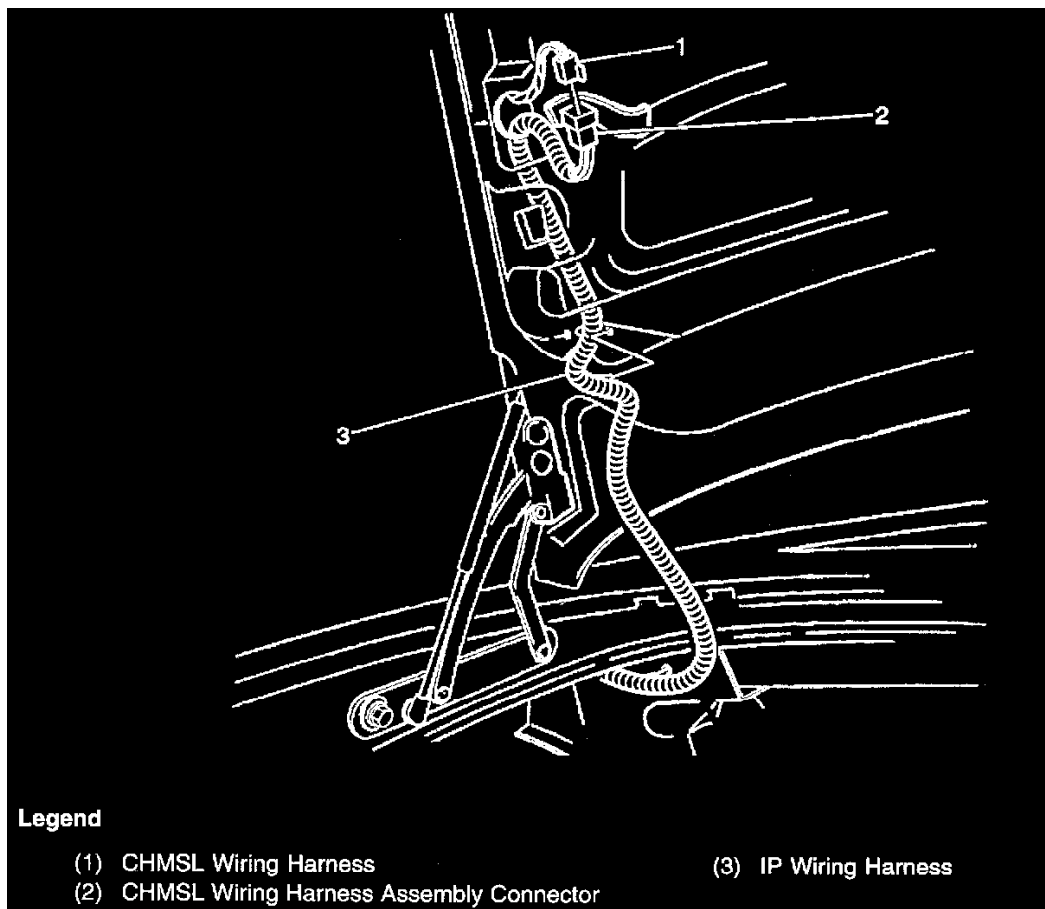
Harness Routing Views (Under Console, Left Side (Automatic Transmission))



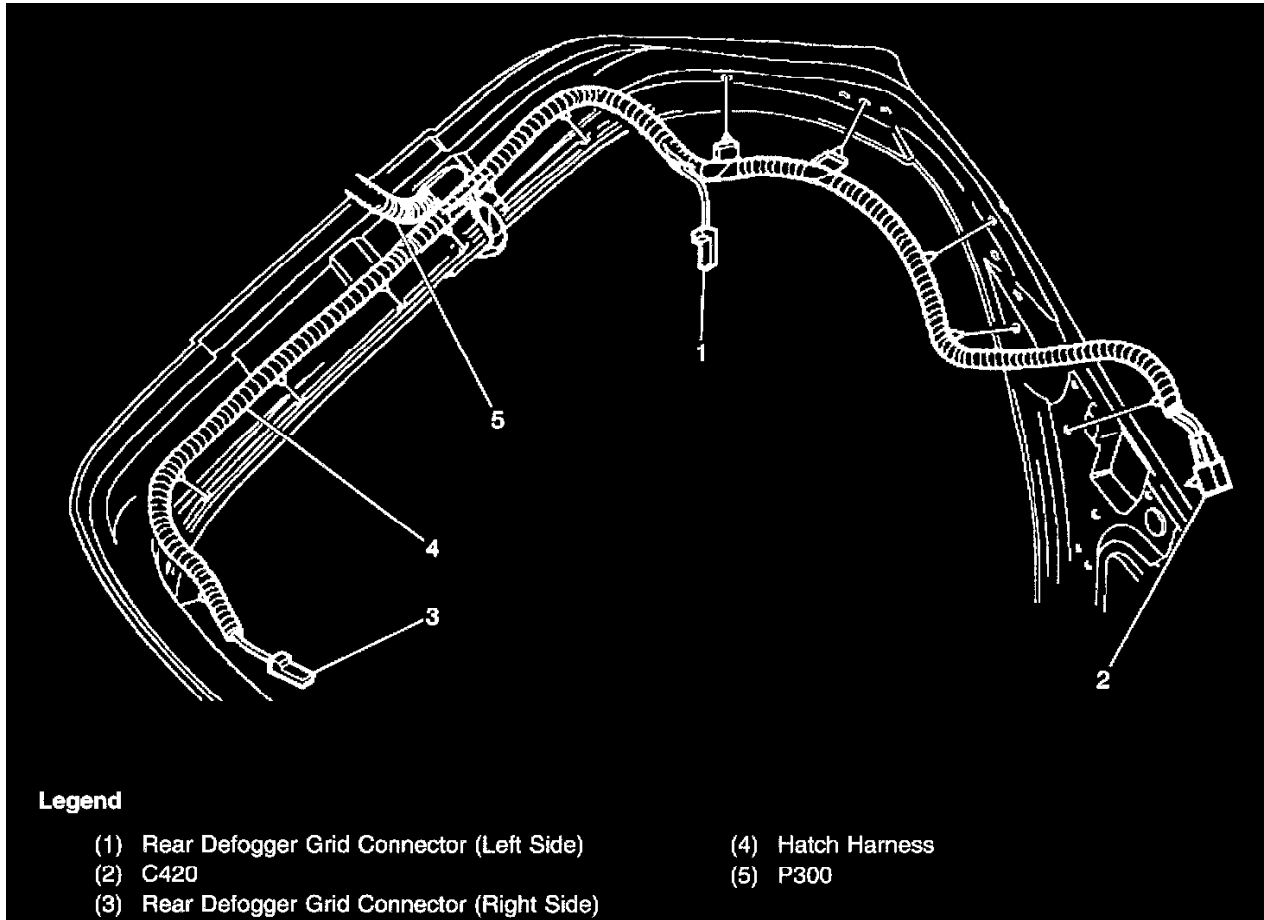
Harness Routing Views (Under Console, Left Side (Manual Transmission))



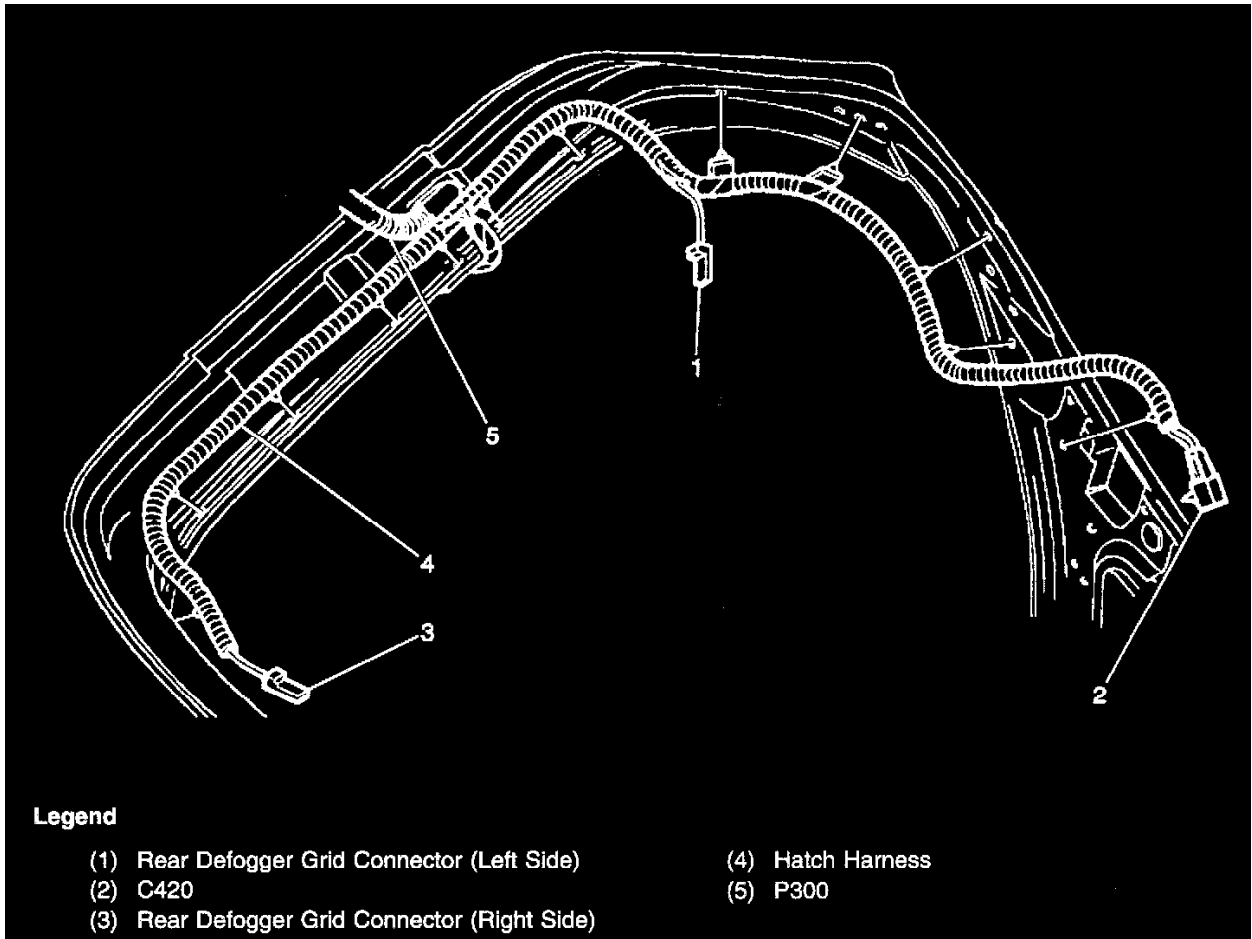
Harness Routing Views (Underhood Electrical Centers)



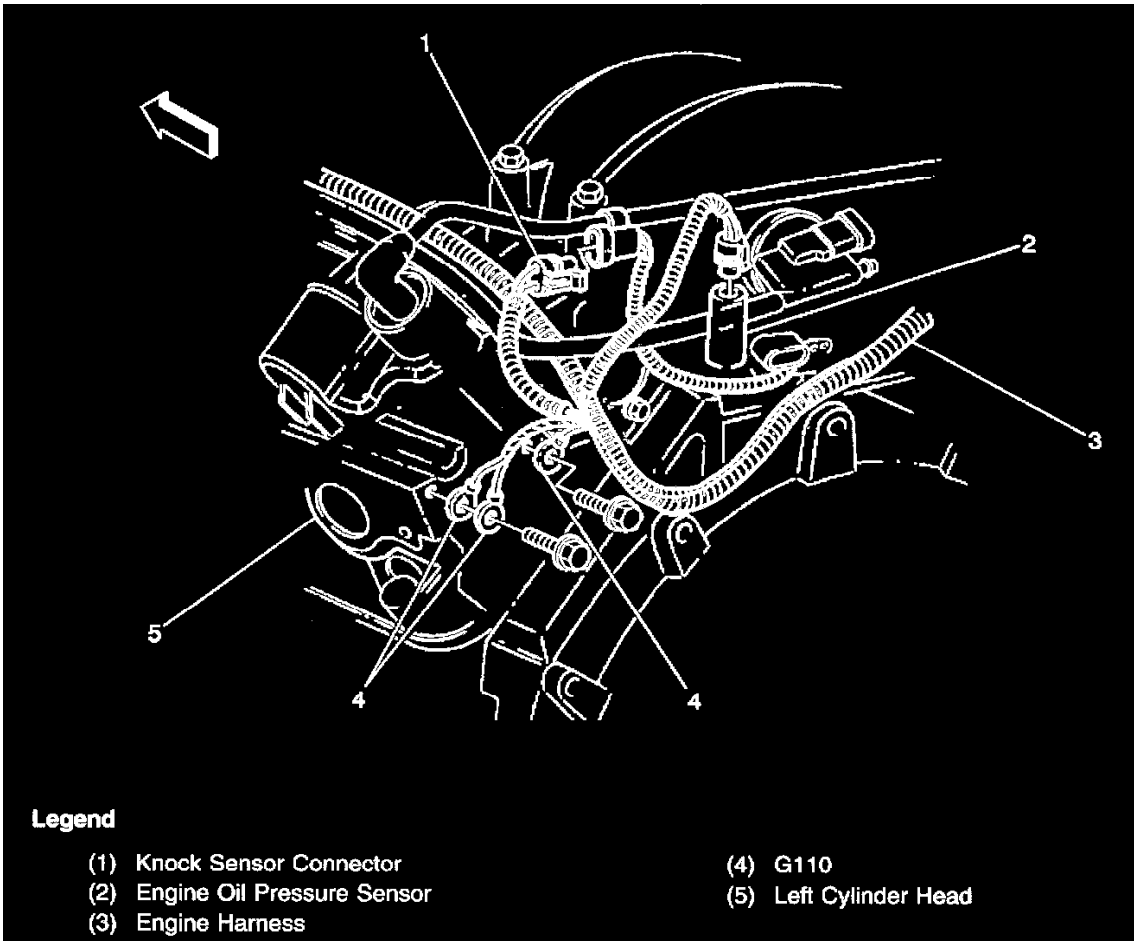
Harness Routing Views (Underside Of Rear Compartment Lid (Convertible))



Harness Routing Views (Underside Of Rear Compartment Lid (Coupe))



Harness Routing Views (Underside Of Rear Compartment Lid (Coupe))



Harness Routing Views (Upper Left Rear Side Of Engine)