

**Vehicle: Locations****A/C Clutch Diode**

Sealed in a harness, approximately 17 cm (6.8 in) from the A/C compressor clutch connector

**AT Shift Lock Control Actuator Diode**

In the IP harness, main branch, approximately 6 cm (2.4 in) from the body control module (BCM) breakout

**Diode Network (Europe)**

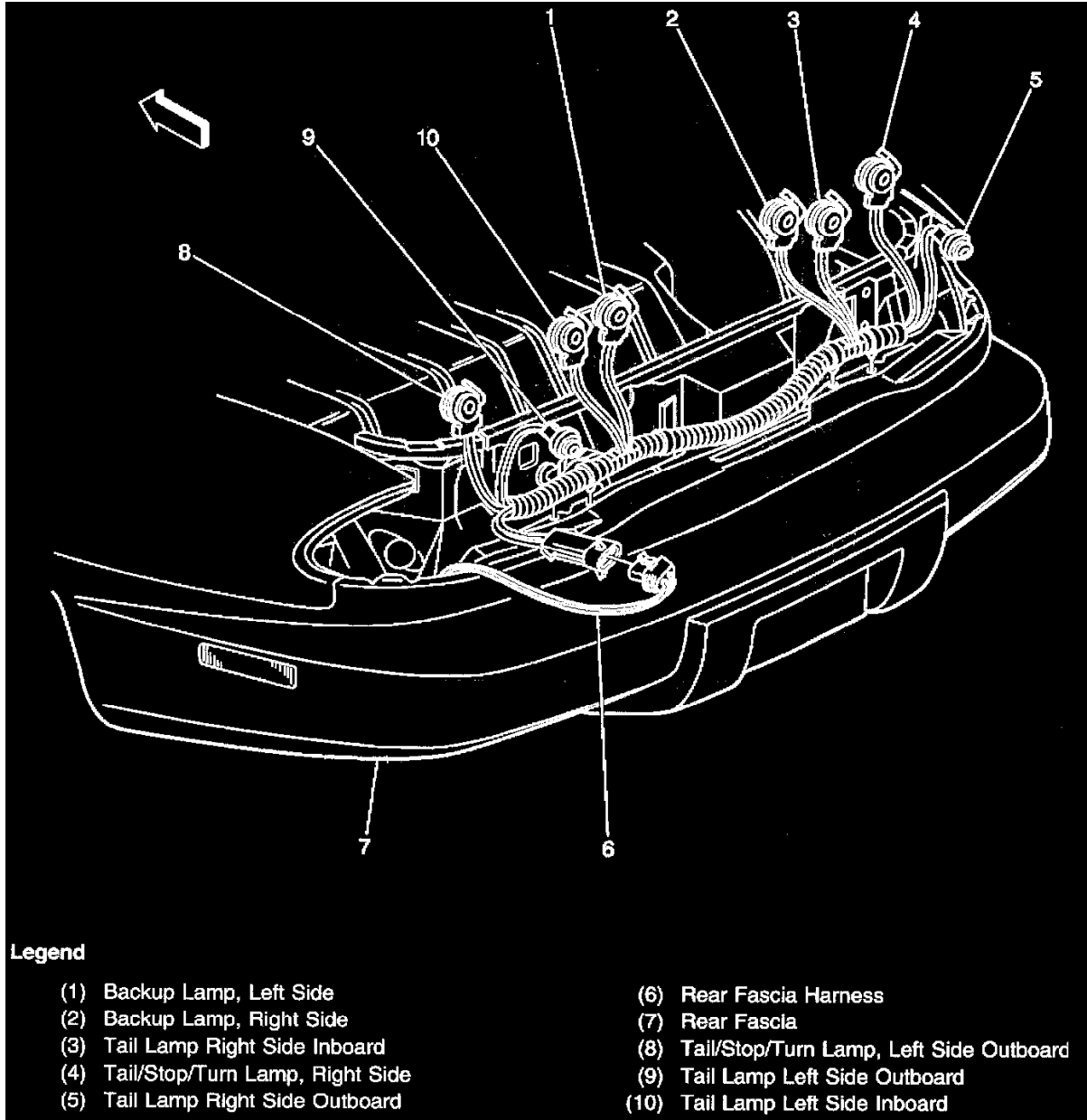
Mounted behind the radio and HVAC control, left of the IP compartment

**Ashtray Lamp (Auto Trans)**

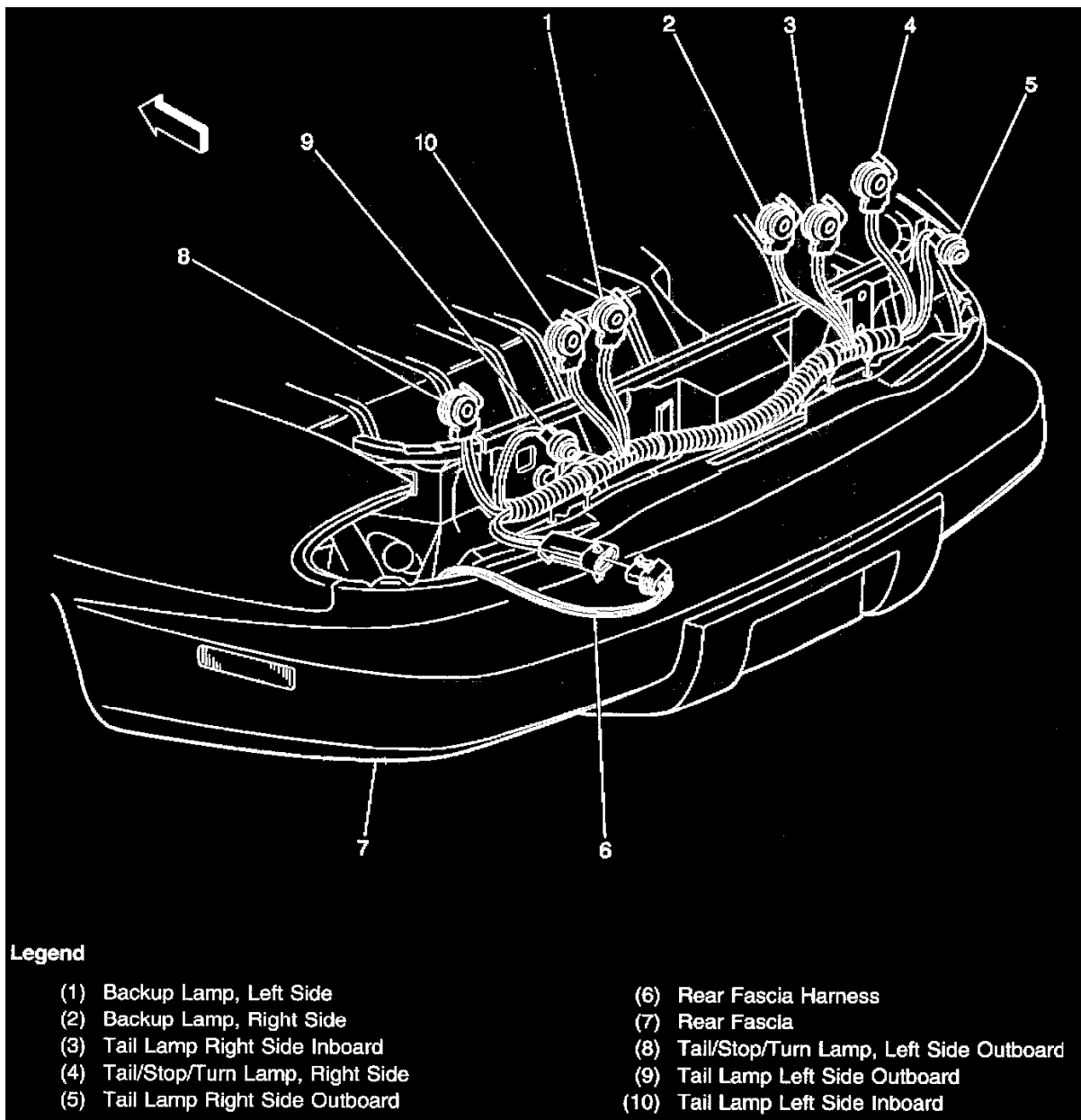
In the lighting tube from the PRNDL lamp

**Ashtray Lamp (Manual Trans)**

Rearward of the shifter, in the ashtray



Locations View



Locations View

**Backup Lamps**

Mounted in the left and right taillamp assemblies

**Center High Mounted Stop Lamp (CHMSL)**

In the center of the rear spoiler

**Courtesy Lamp, Left Rear (Convertible)**

Mounted in the left sail panel

**Courtesy Lamp, Rear Compartment (Convertible)**

In the center of the rear compartment, near the rear compartment lid release actuator

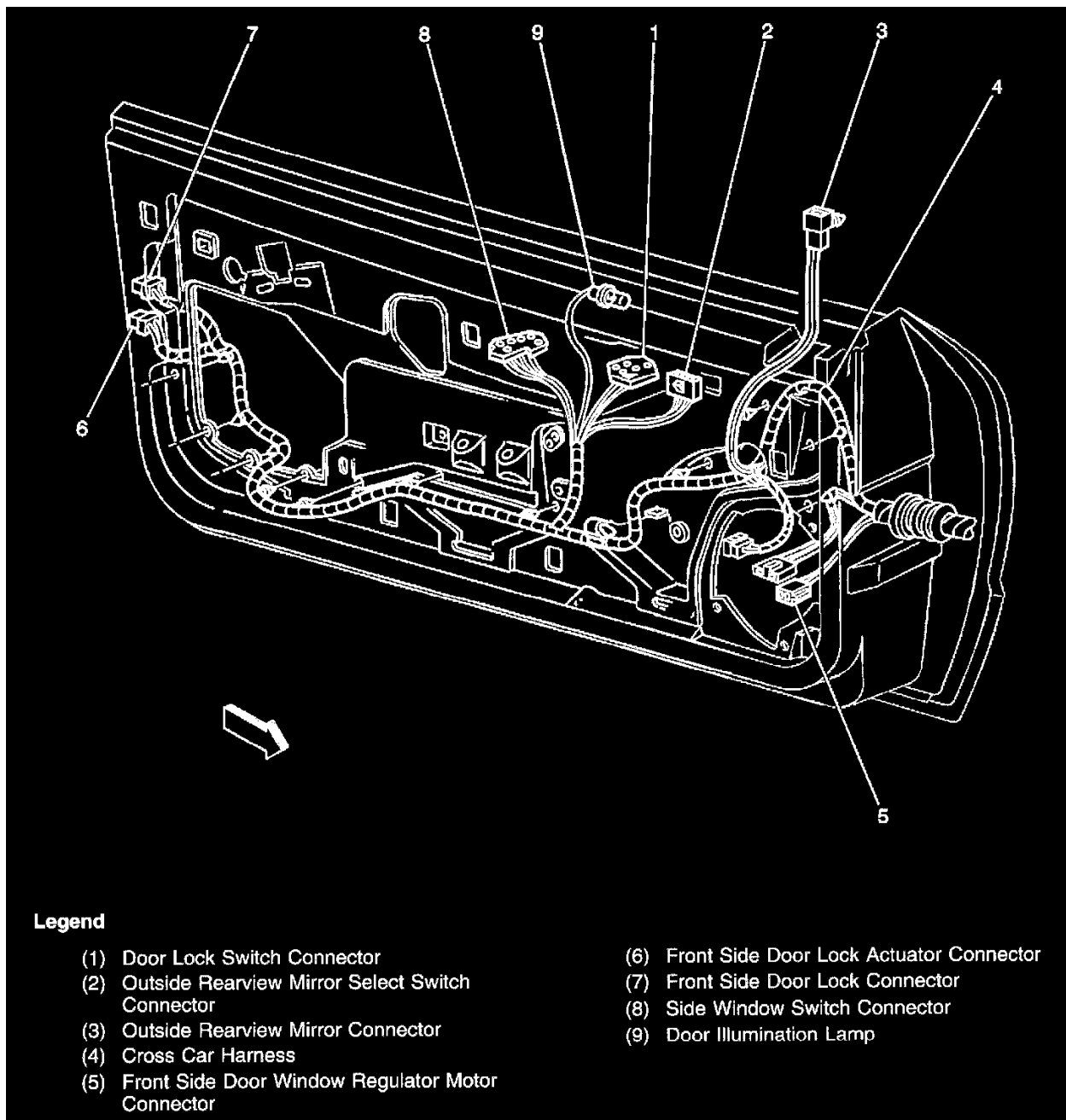
**Courtesy Lamp, Right Rear (Convertible)**

Mounted in the right sail panel

**Dome Lamp (Coupe)**

On the inside of the roof, near the hatch

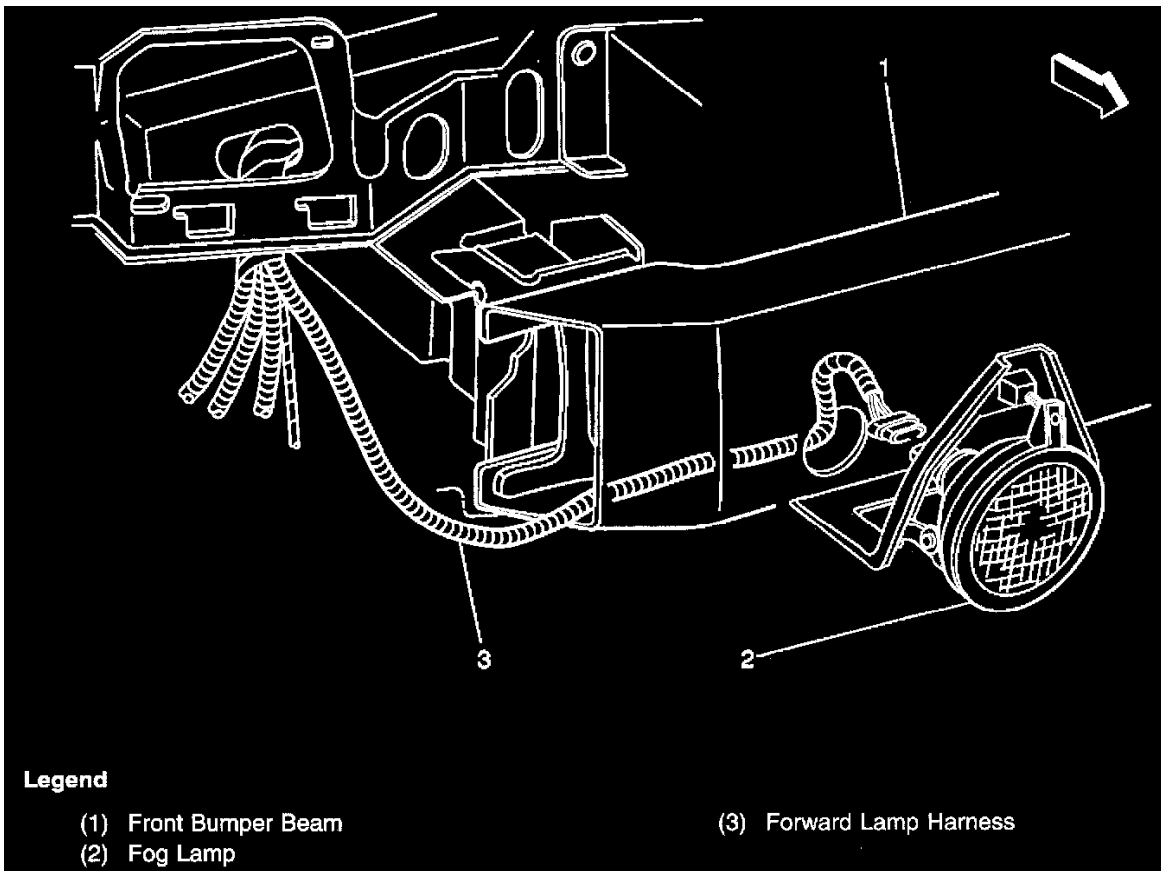
**Door Illumination Lamp**



Locations View

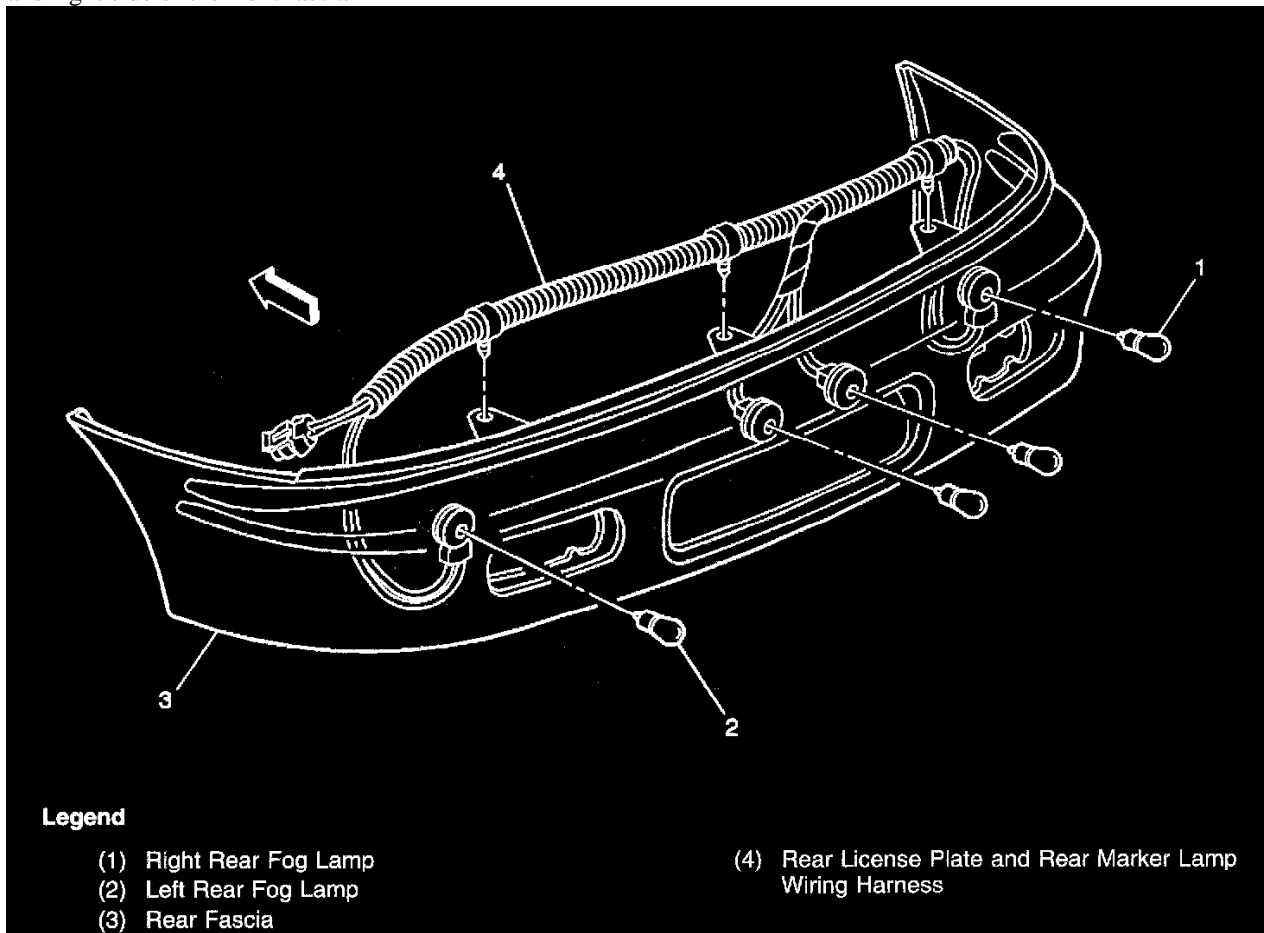
Mounted in the door arm rest

## Fog Lamp

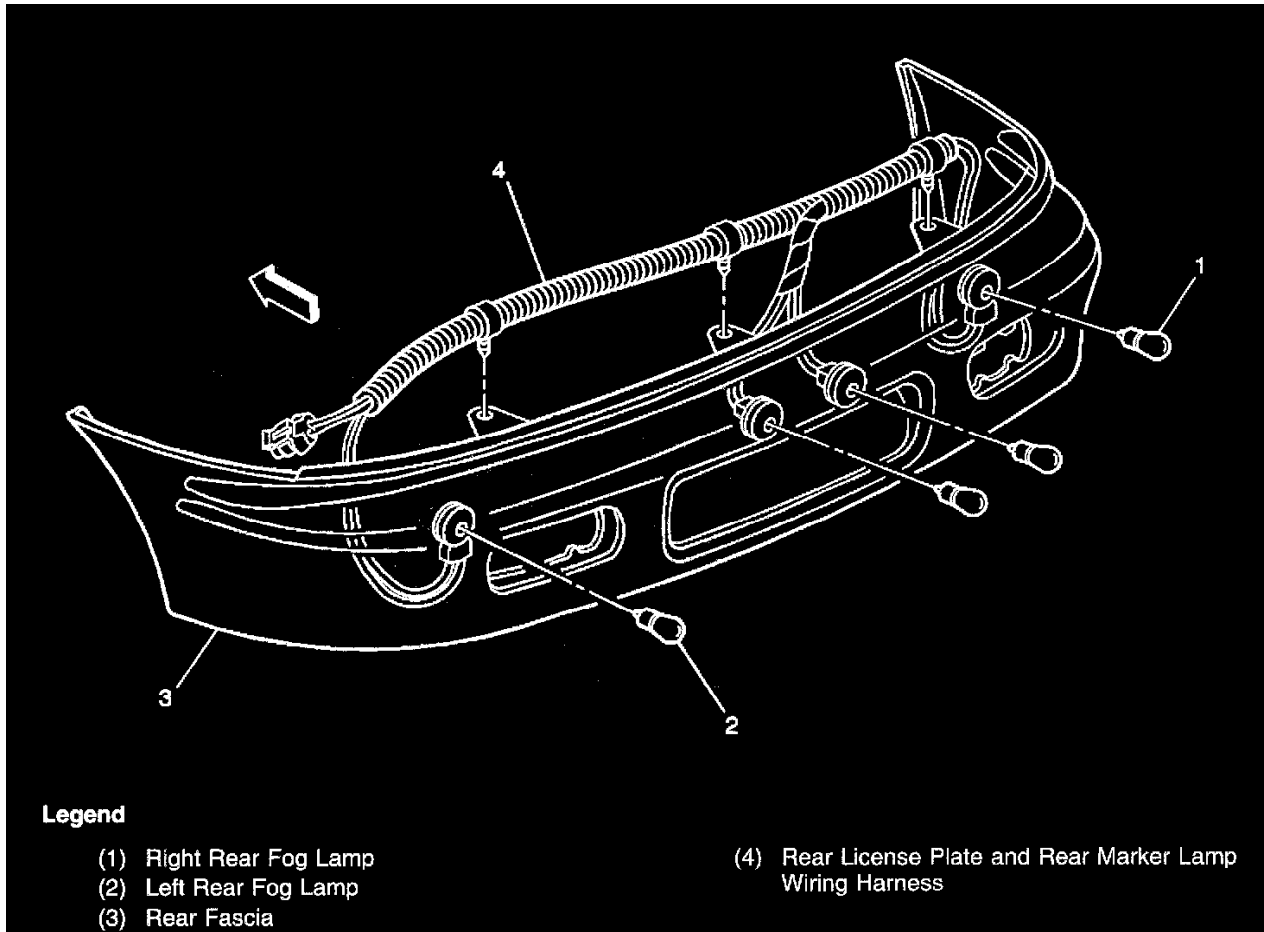


Locations View

On the lower left and right side of the front fascia

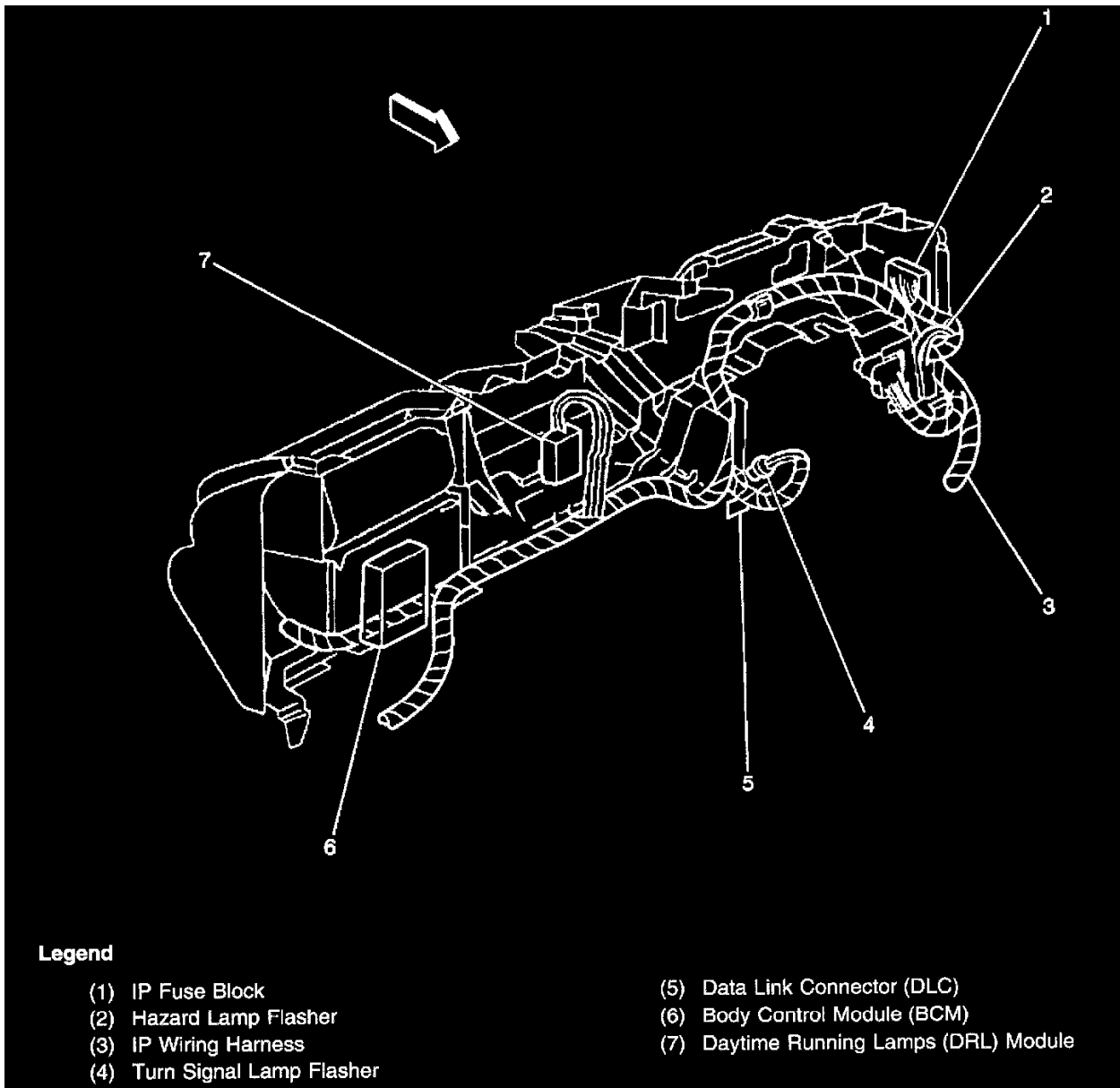


Locations View



Locations View

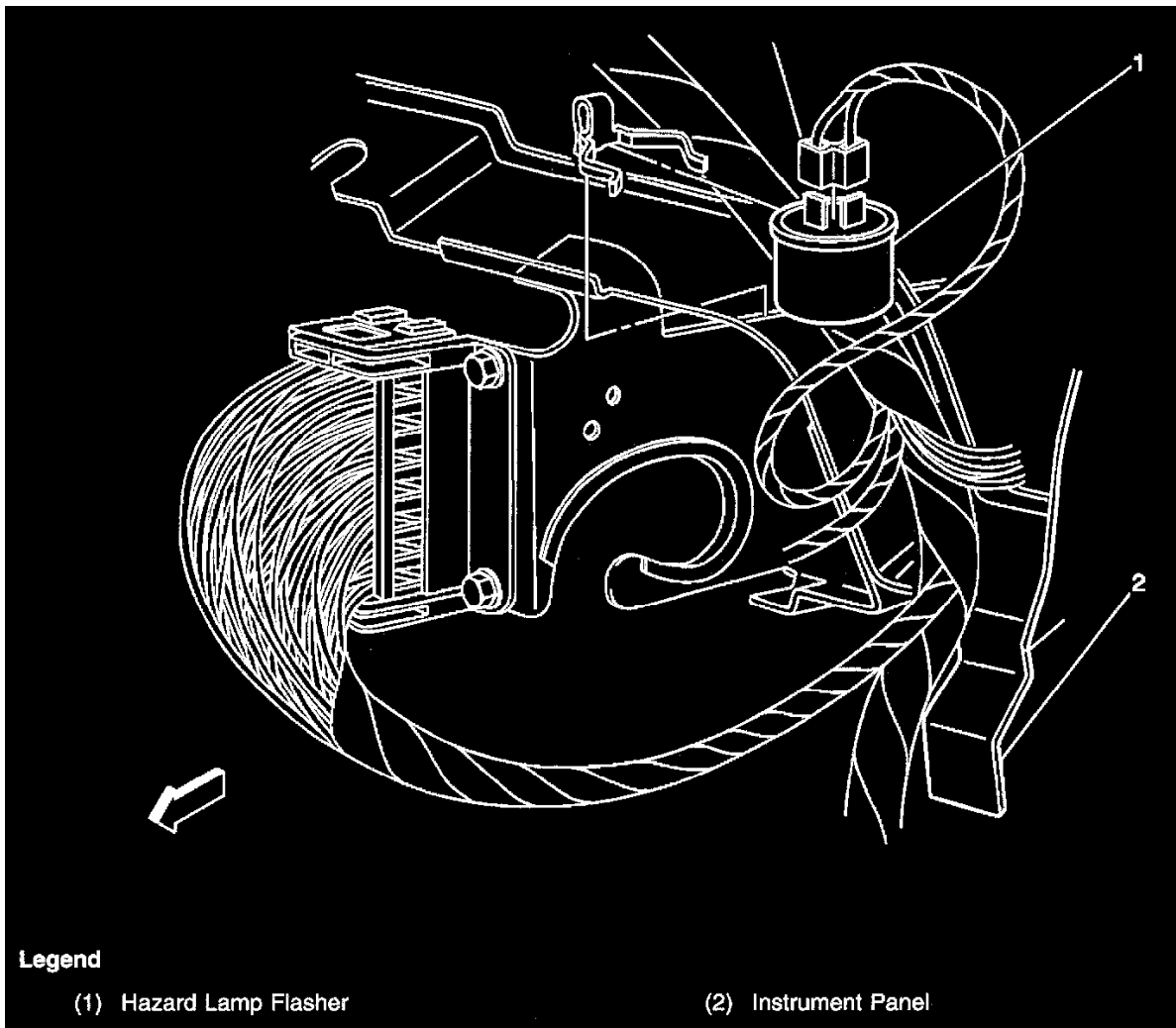
## Hazard Lamp Flasher



**Legend**

- |                              |  |
|------------------------------|--|
| (1) IP Fuse Block            | (5) Data Link Connector (DLC)          |
| (2) Hazard Lamp Flasher      | (6) Body Control Module (BCM)          |
| (3) IP Wiring Harness        | (7) Daytime Running Lamps (DRL) Module |
| (4) Turn Signal Lamp Flasher |  |

**Locations View**



Locations View

Left of the steering column, mounted to the IP carrier

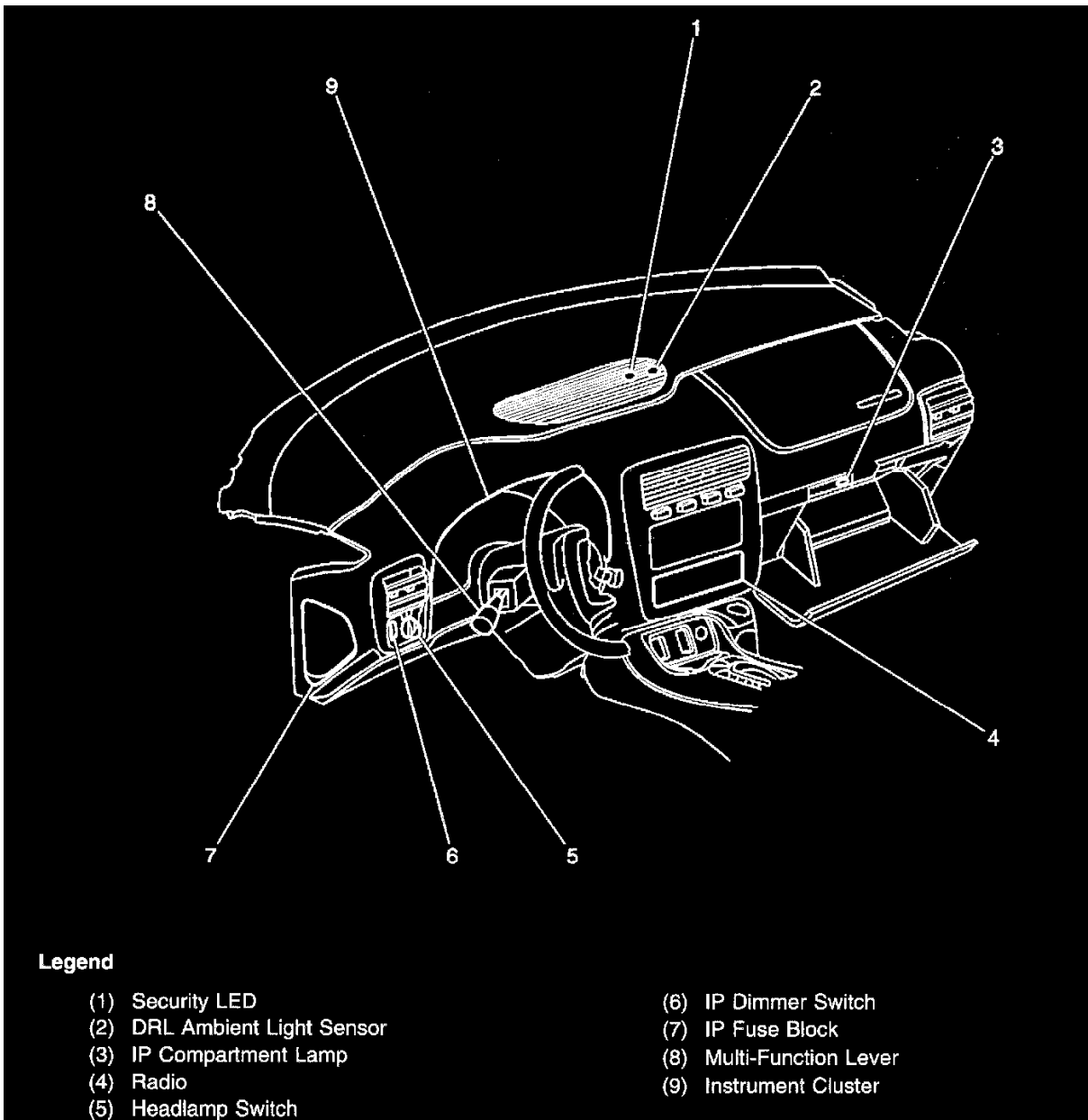
**Headlamp, High Beam**

On the front of the vehicle

**Headlamp, Low beam**

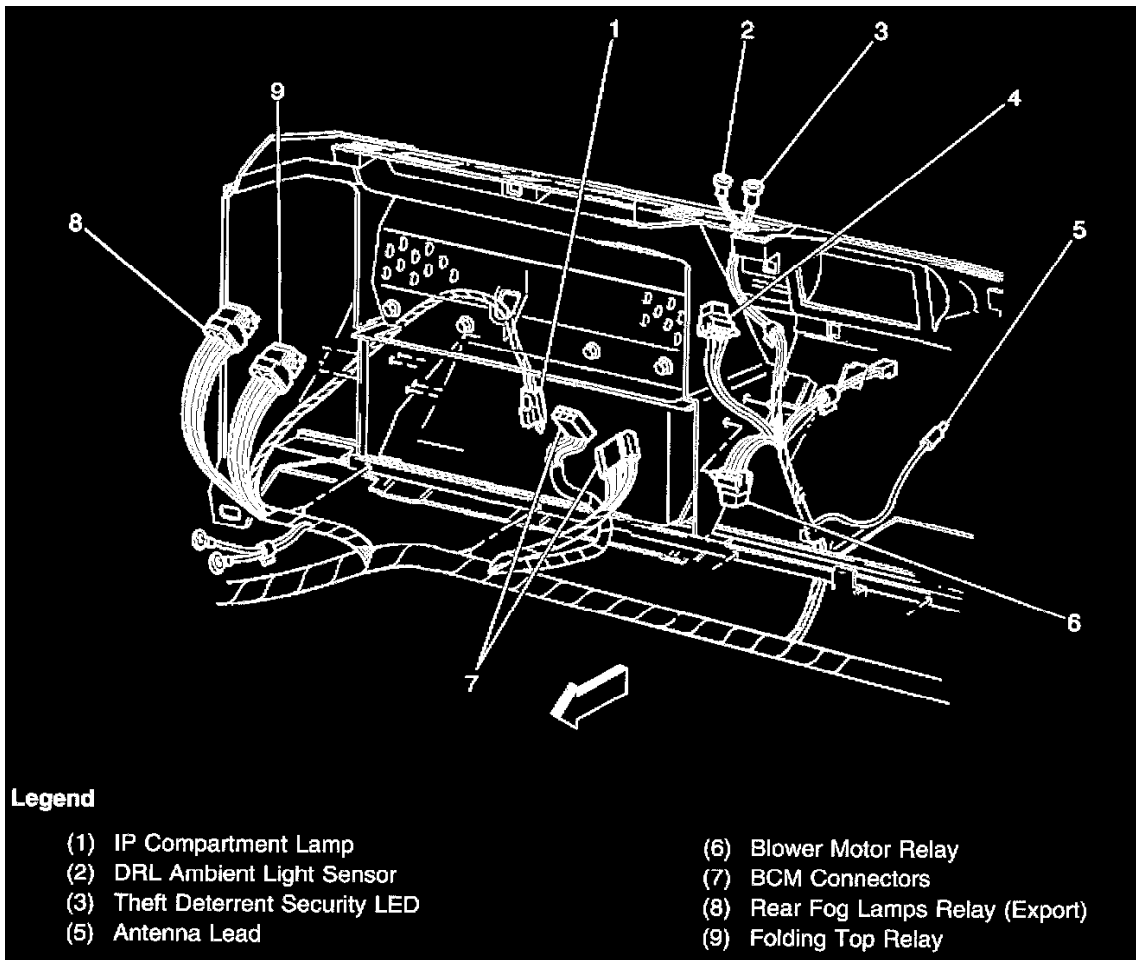
On the front of the vehicle

**IP Compartment Lamp**



Locations View

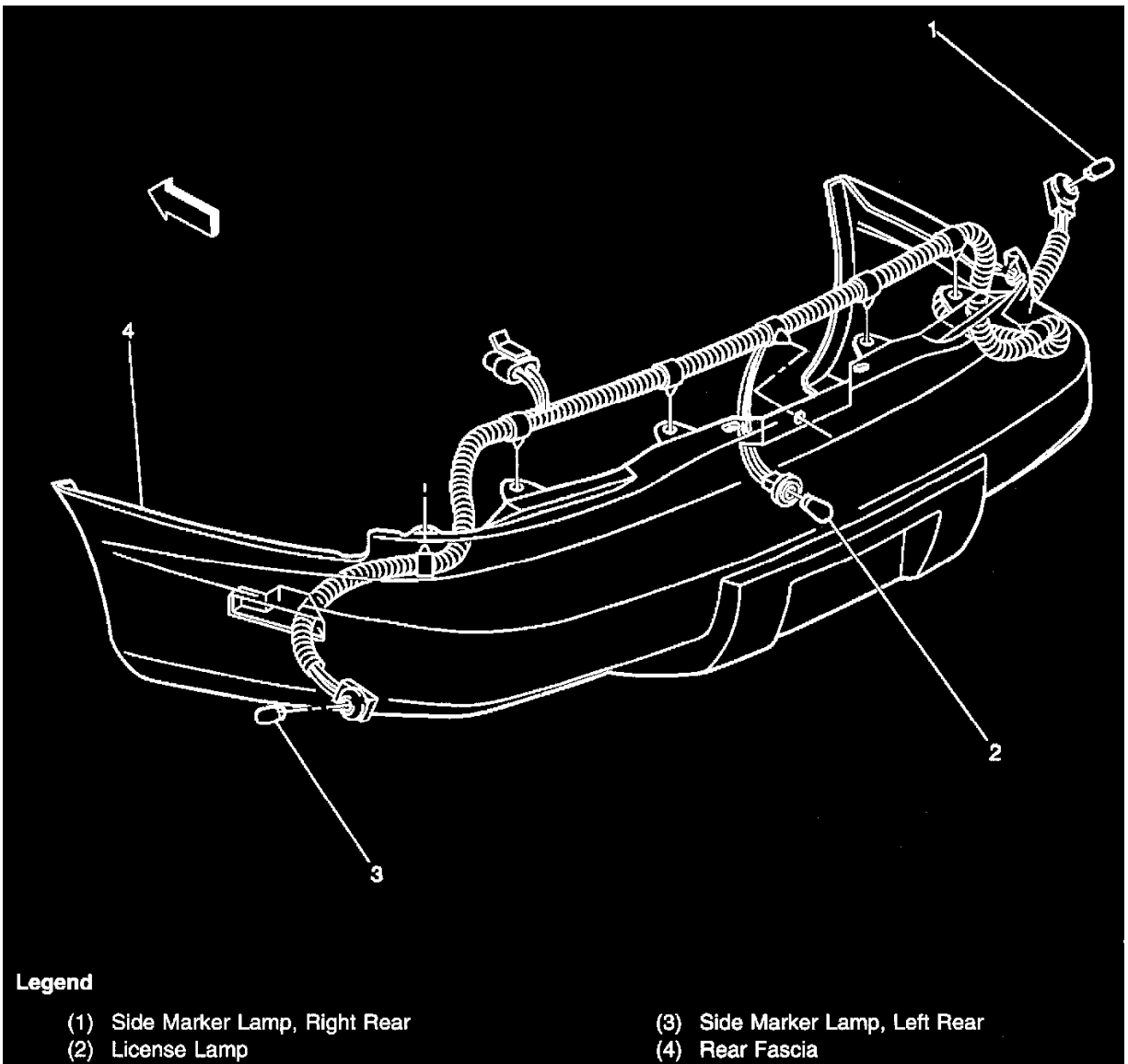




Locations View

Inside the top center of the IP compartment

## Licence Lamps

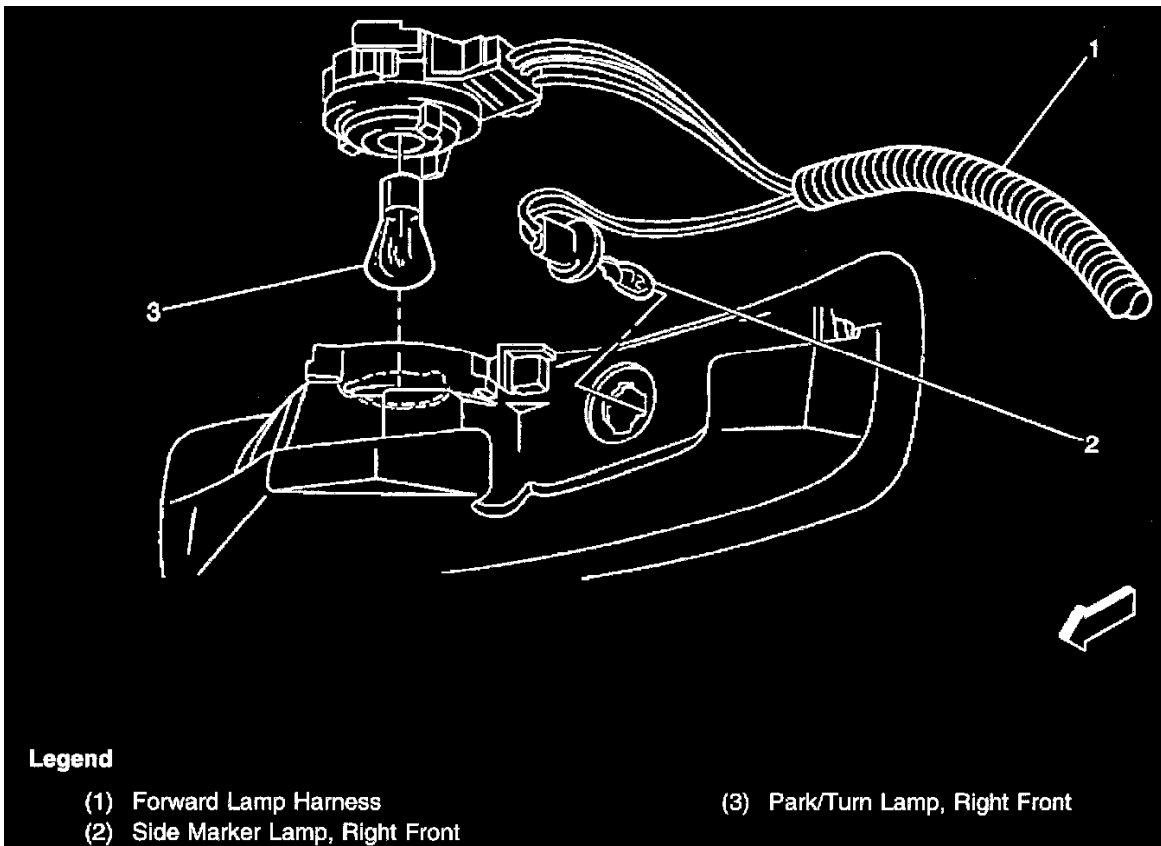


**Locations View**

In the center of the rear fascia, above the license plate

**Park/Turn Lamp, Front**

On the left and right side of the exterior of the vehicle



Locations View

**Positioning Lamp (Europe, Scandinavia)**

On the front left and right side of the exterior of the vehicle

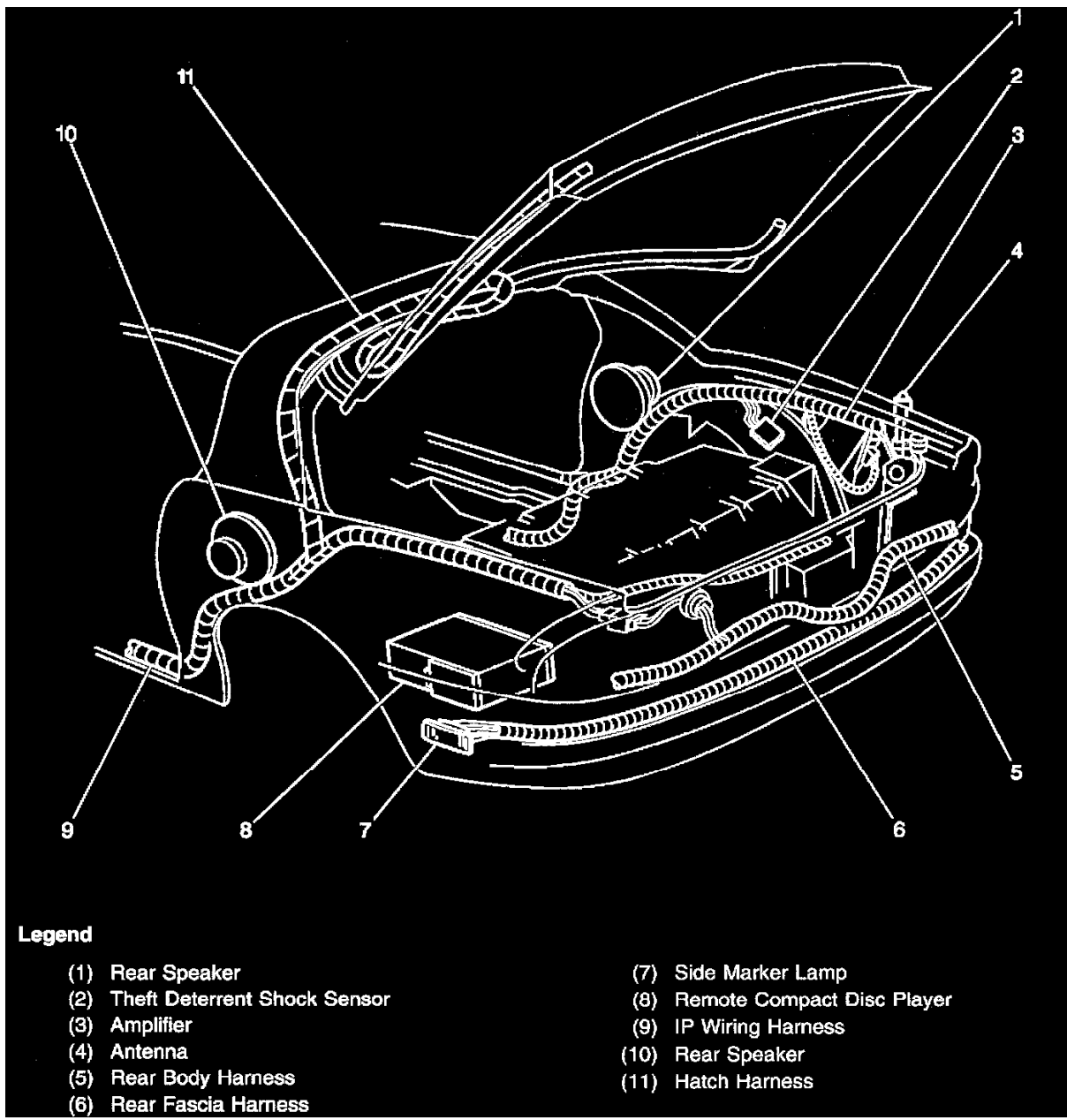
**PRNDL Illumination Lamp**

Under the console, left of the shift control lever

**Rear Fog Lamps (Europe)**

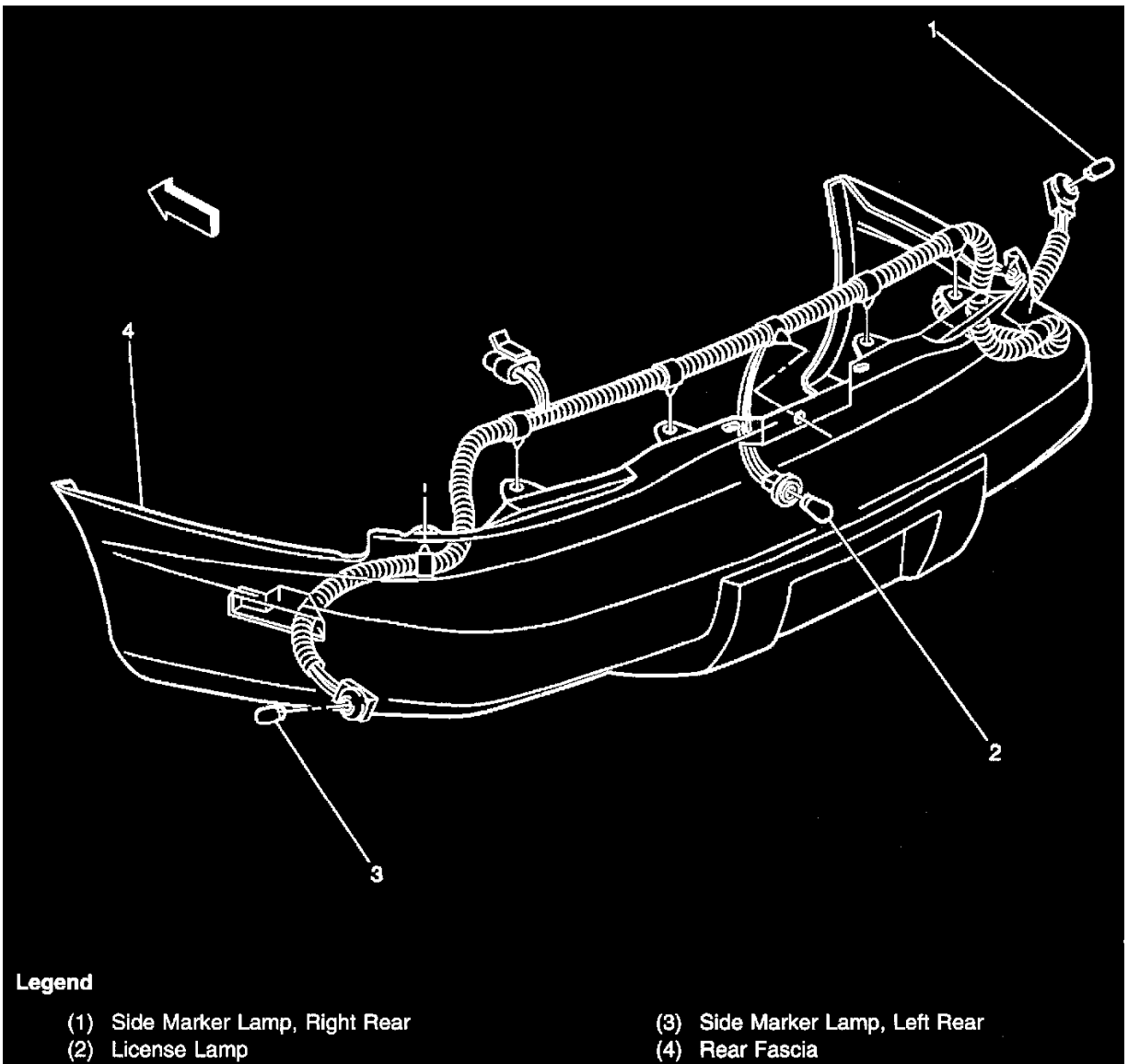
On the left and right side of the rear fascia

**Side Marker Lamp**

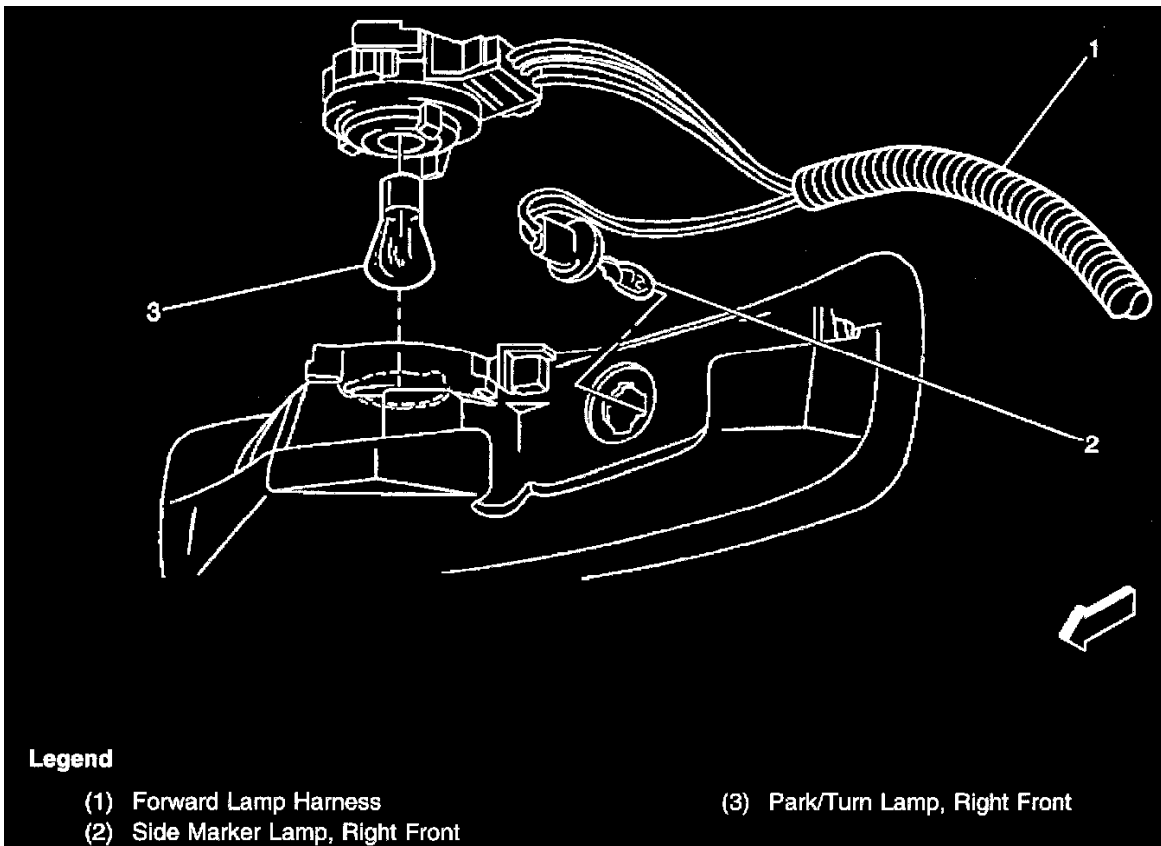


Locations View

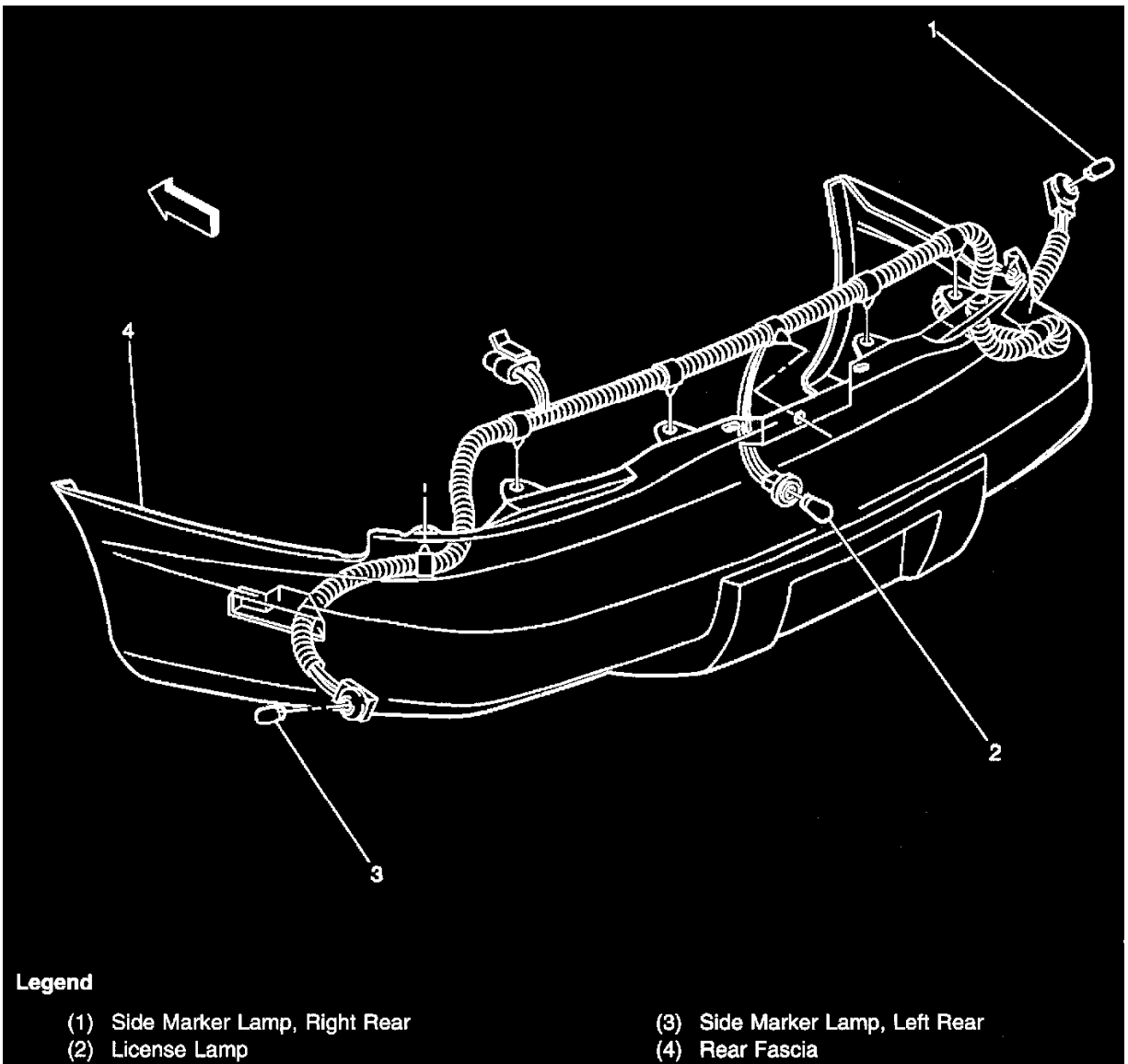
On the left and right front and rear exterior of the vehicle



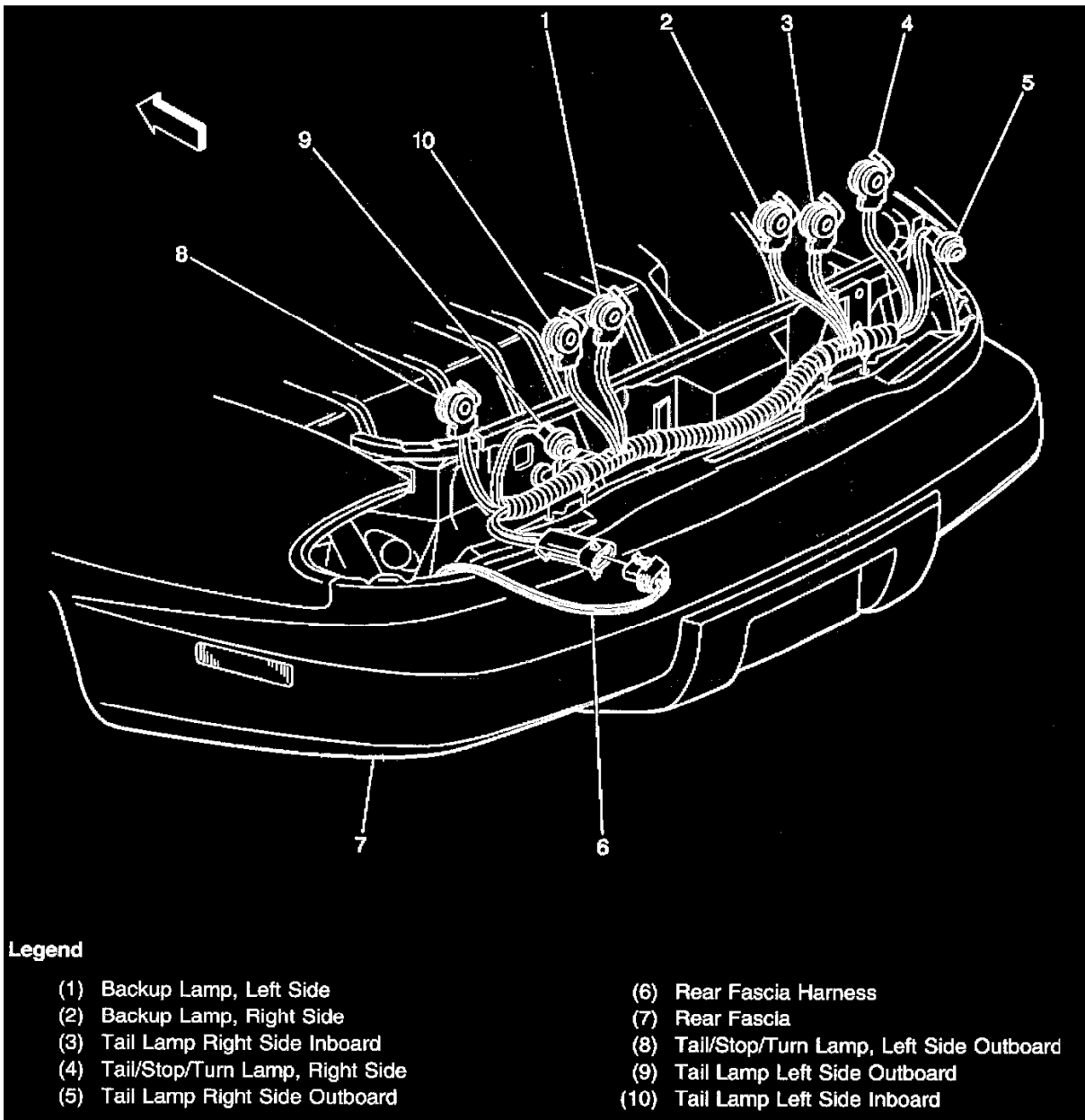
Locations View



Locations View

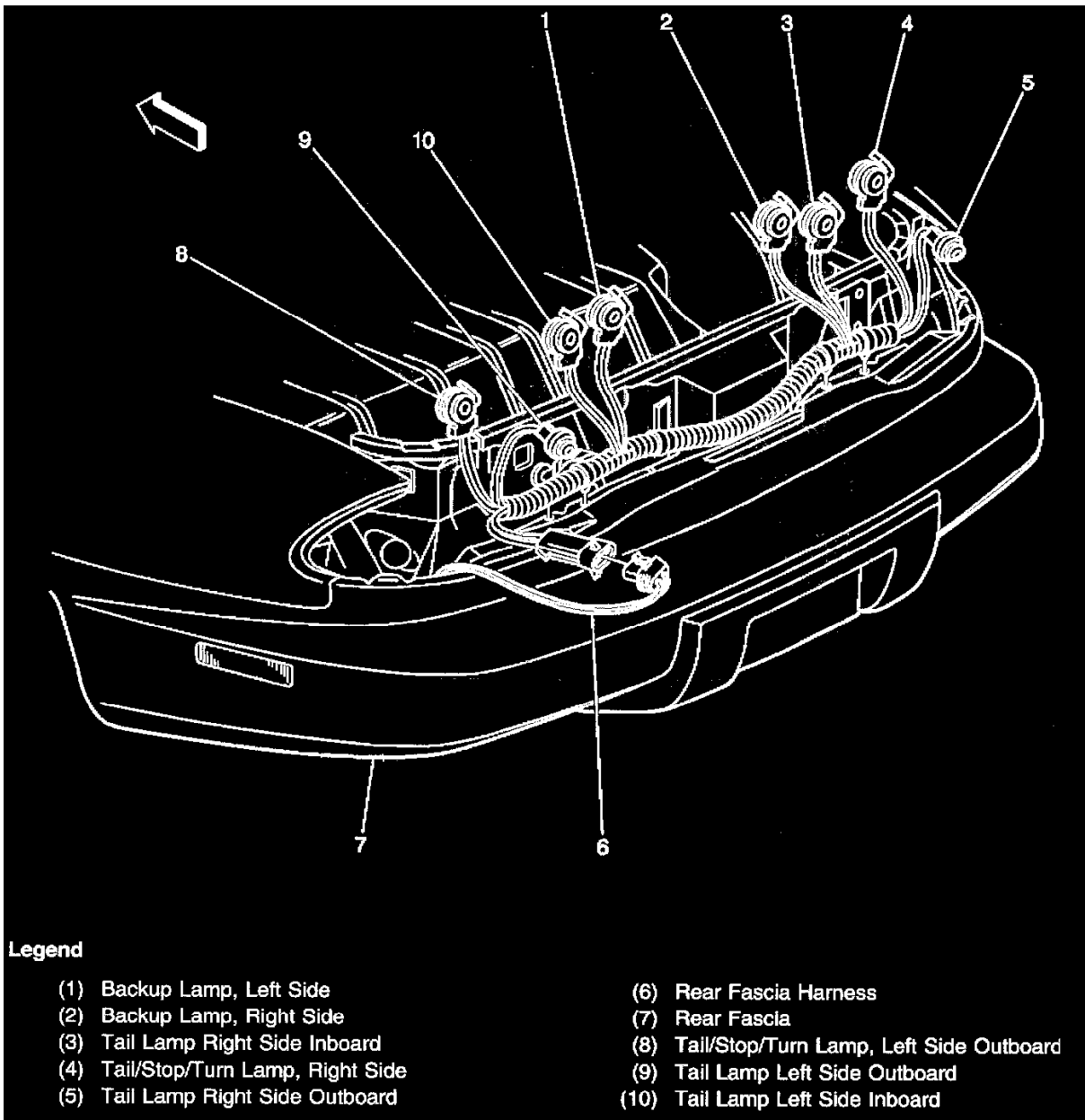


Locations View

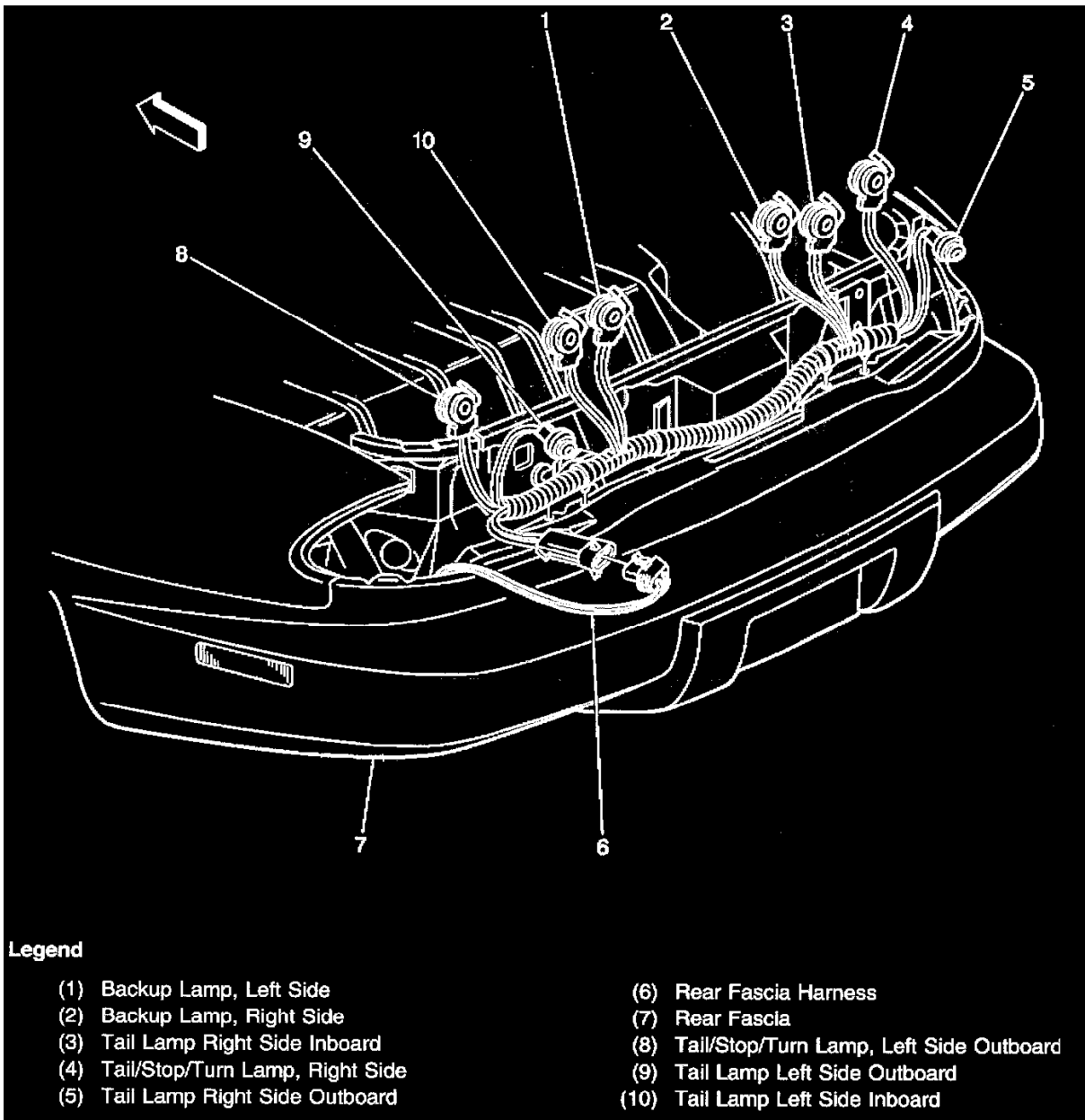


Locations View

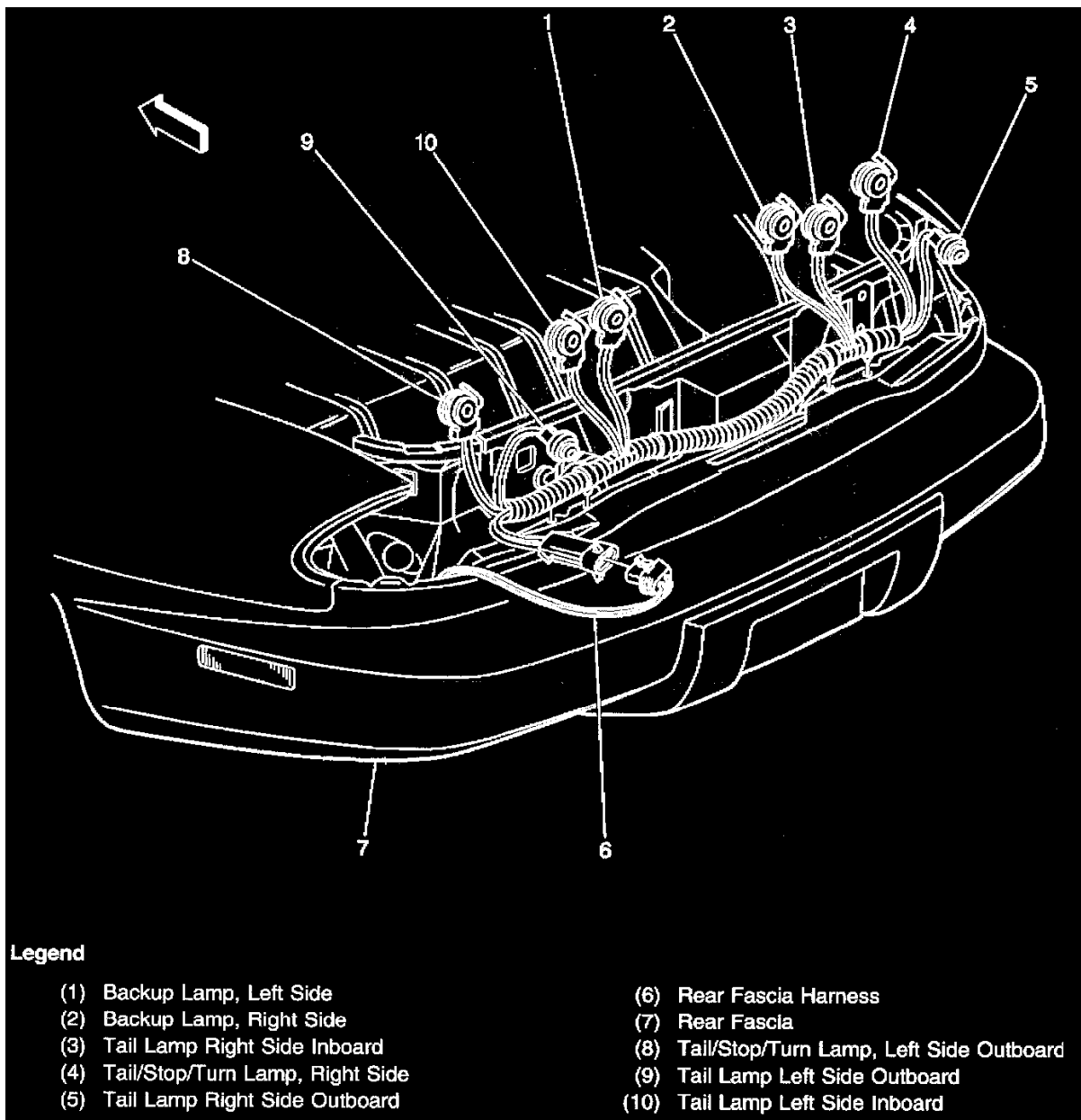




Locations View



Locations View



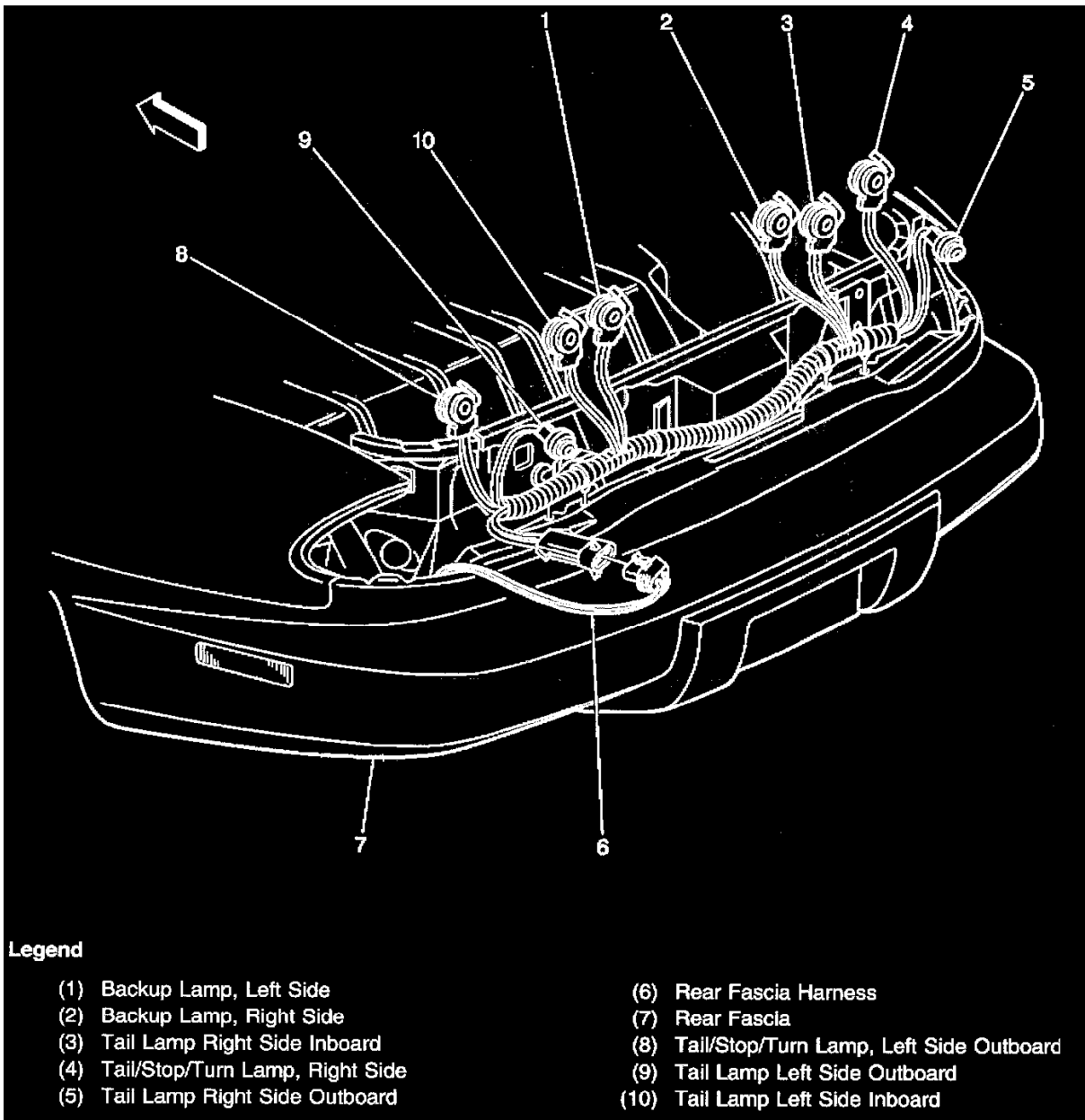
Locations View

**Tail/Stop Lamp**

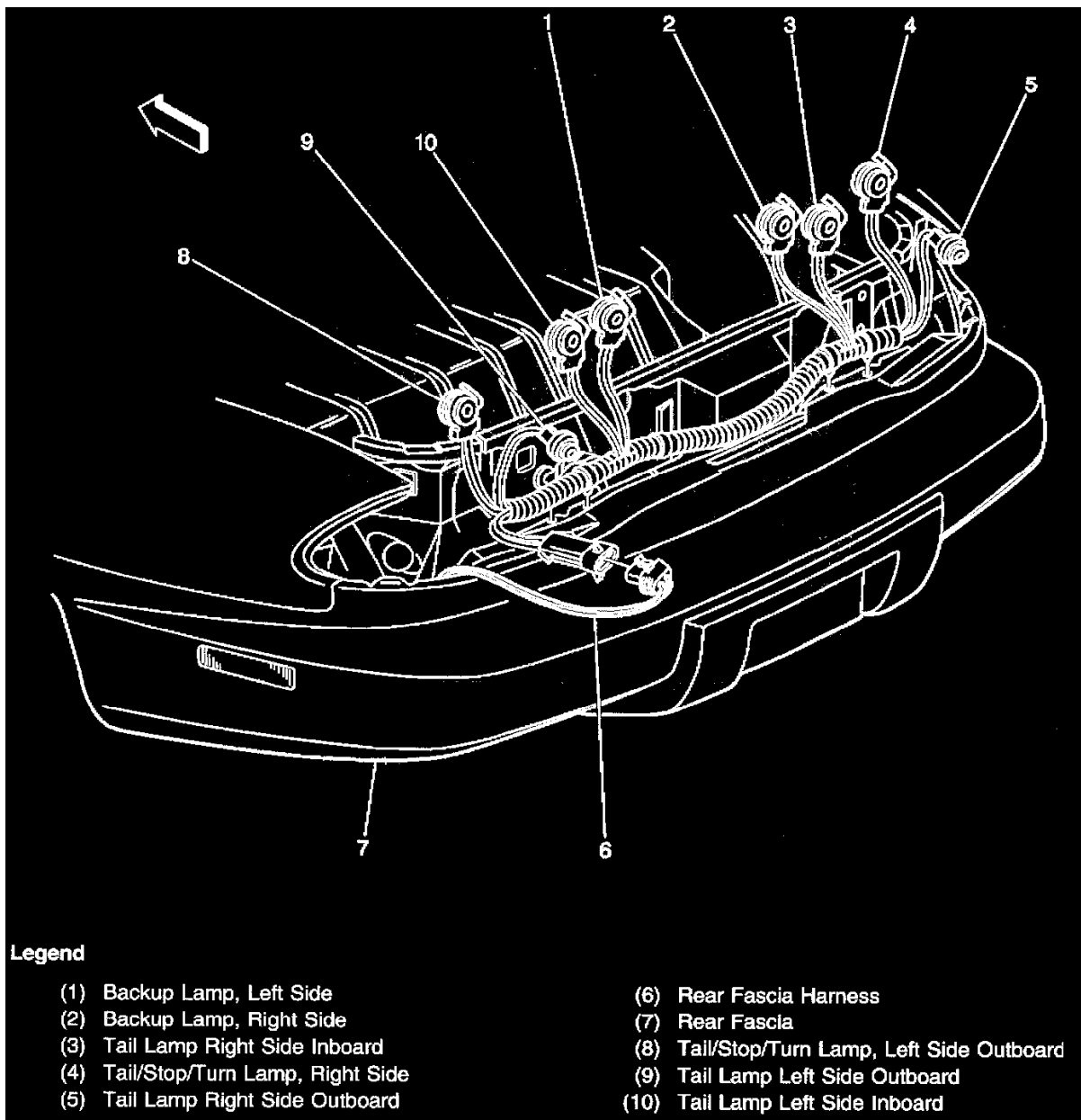
On the left and right rear exterior of the vehicle

**Tail/Stop/Turn Lamp**

On the left and right rear exterior of the vehicle



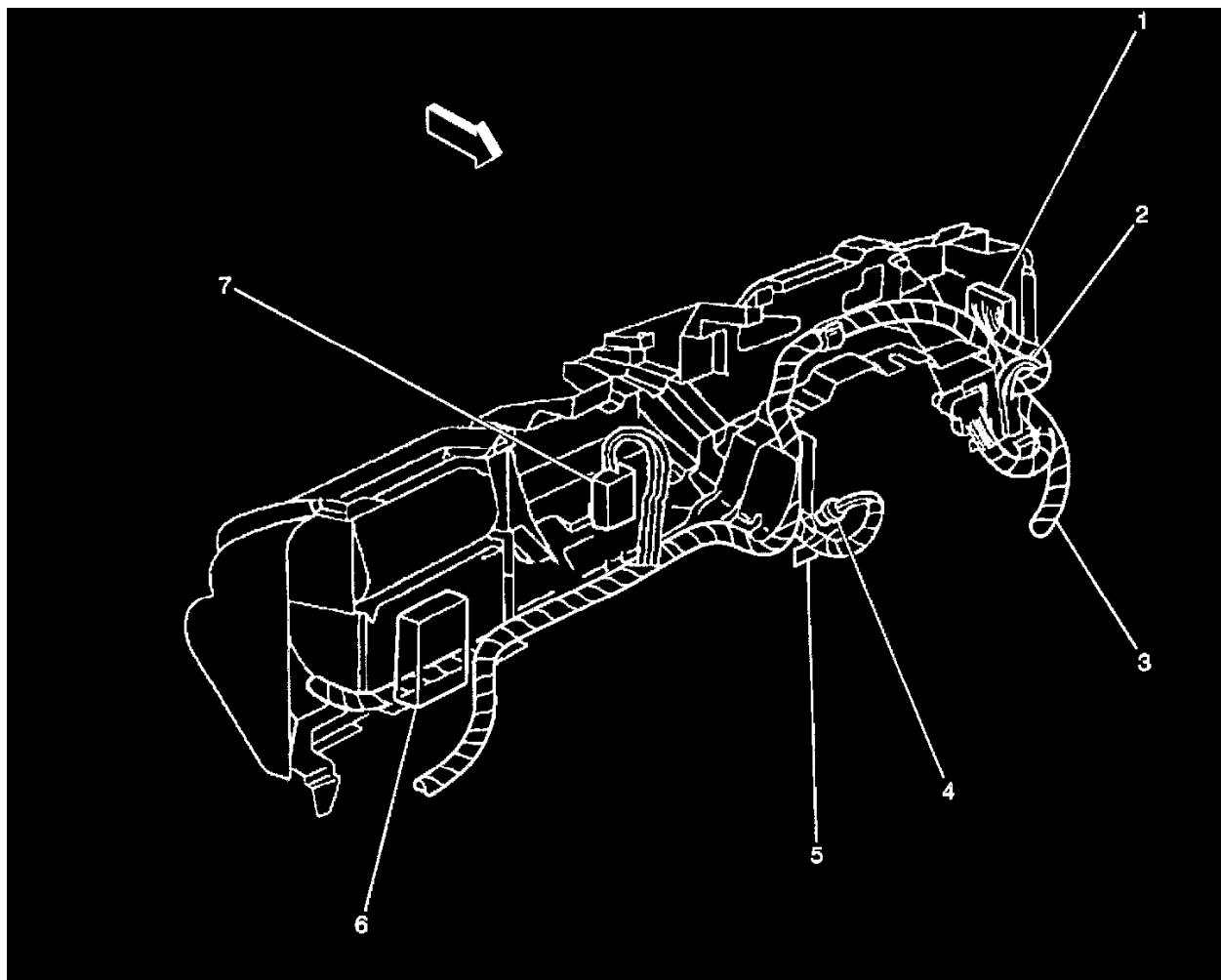
Locations View



Locations View

**Taillamp**

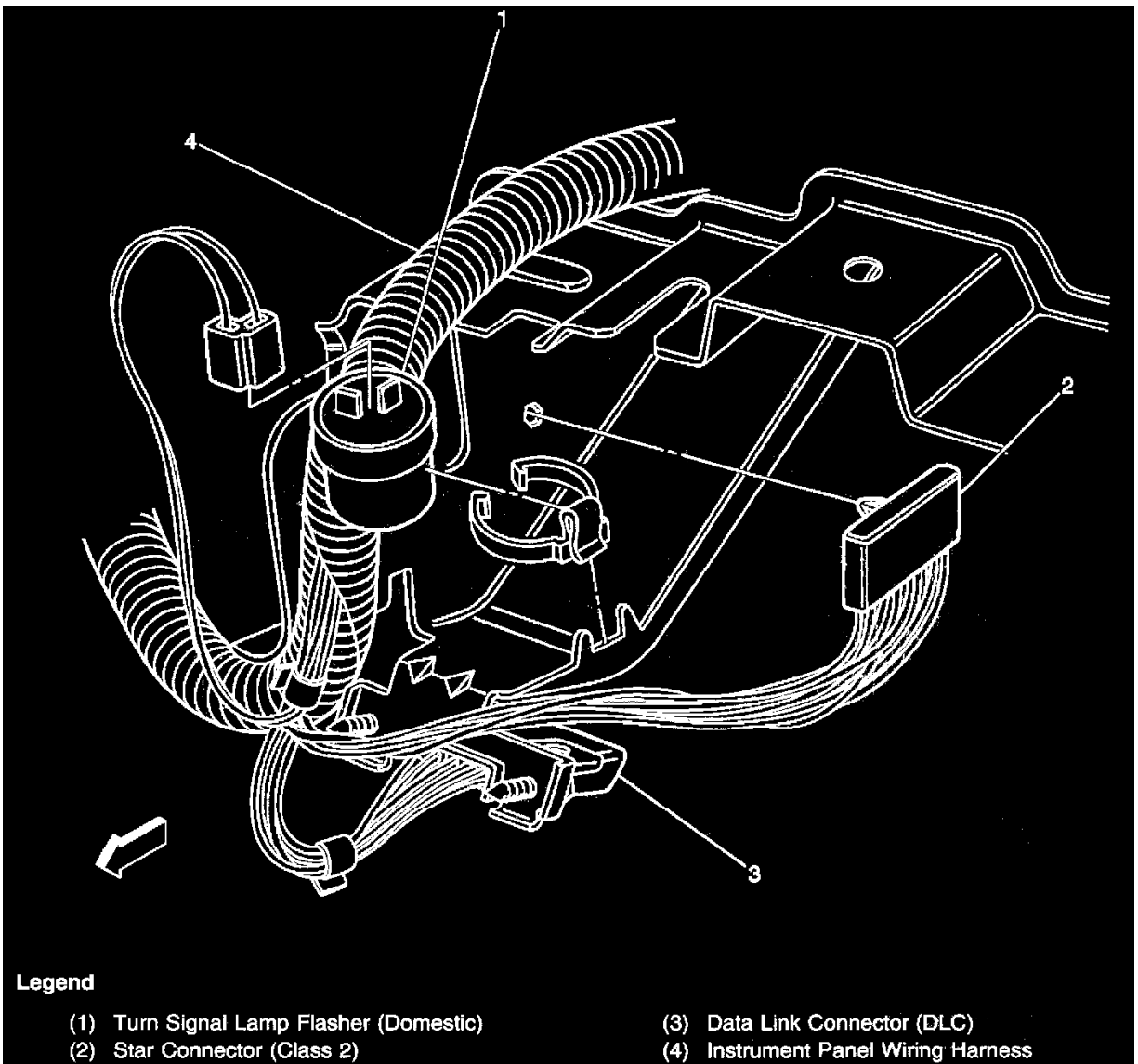
On the left and right rear exterior of the vehicle



**Legend**

- |                              |  |
|------------------------------|--|
| (1) IP Fuse Block            | (5) Data Link Connector (DLC)          |
| (2) Hazard Lamp Flasher      | (6) Body Control Module (BCM)          |
| (3) IP Wiring Harness        | (7) Daytime Running Lamps (DRL) Module |
| (4) Turn Signal Lamp Flasher |  |

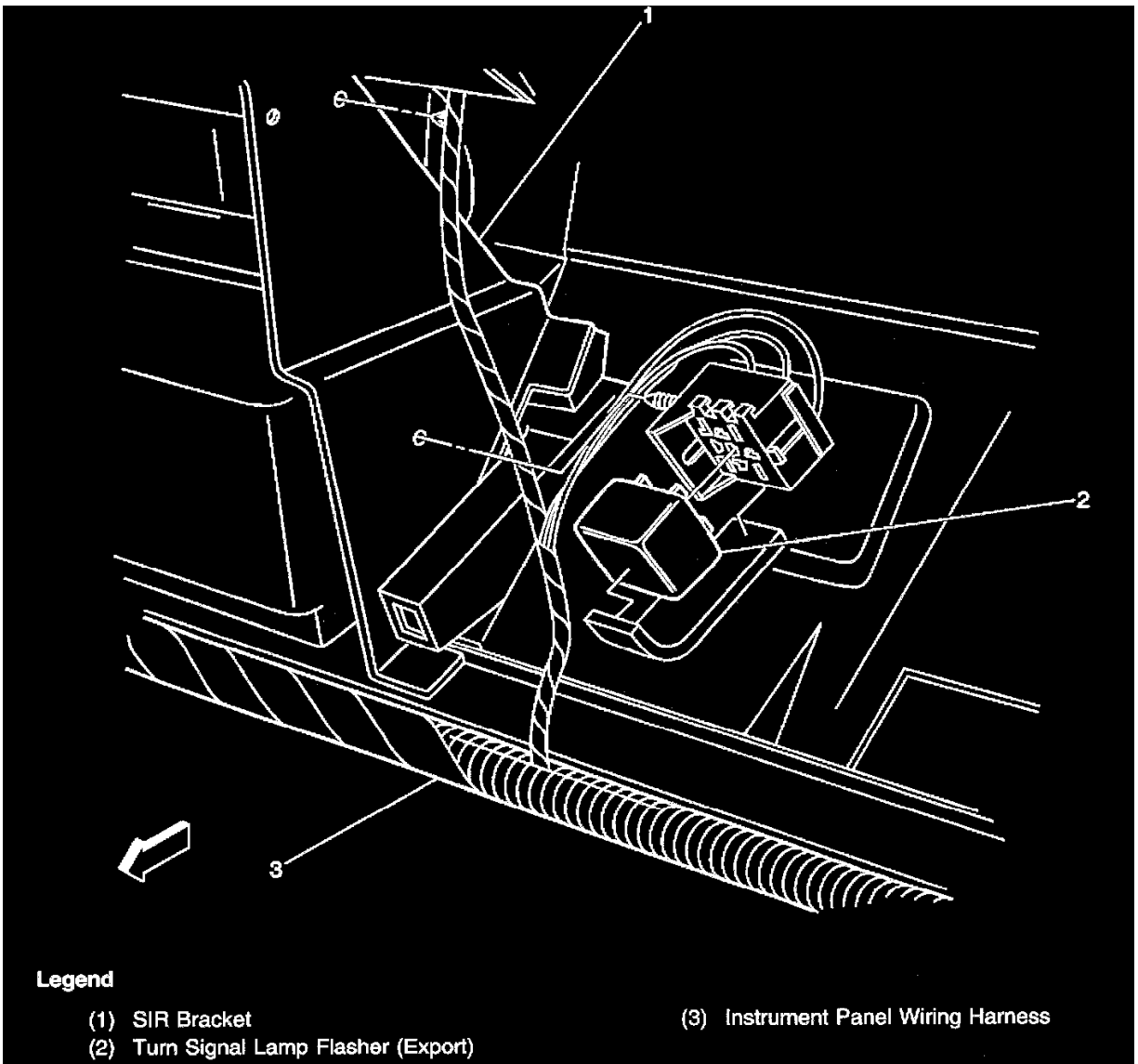
**Locations View**



Locations View

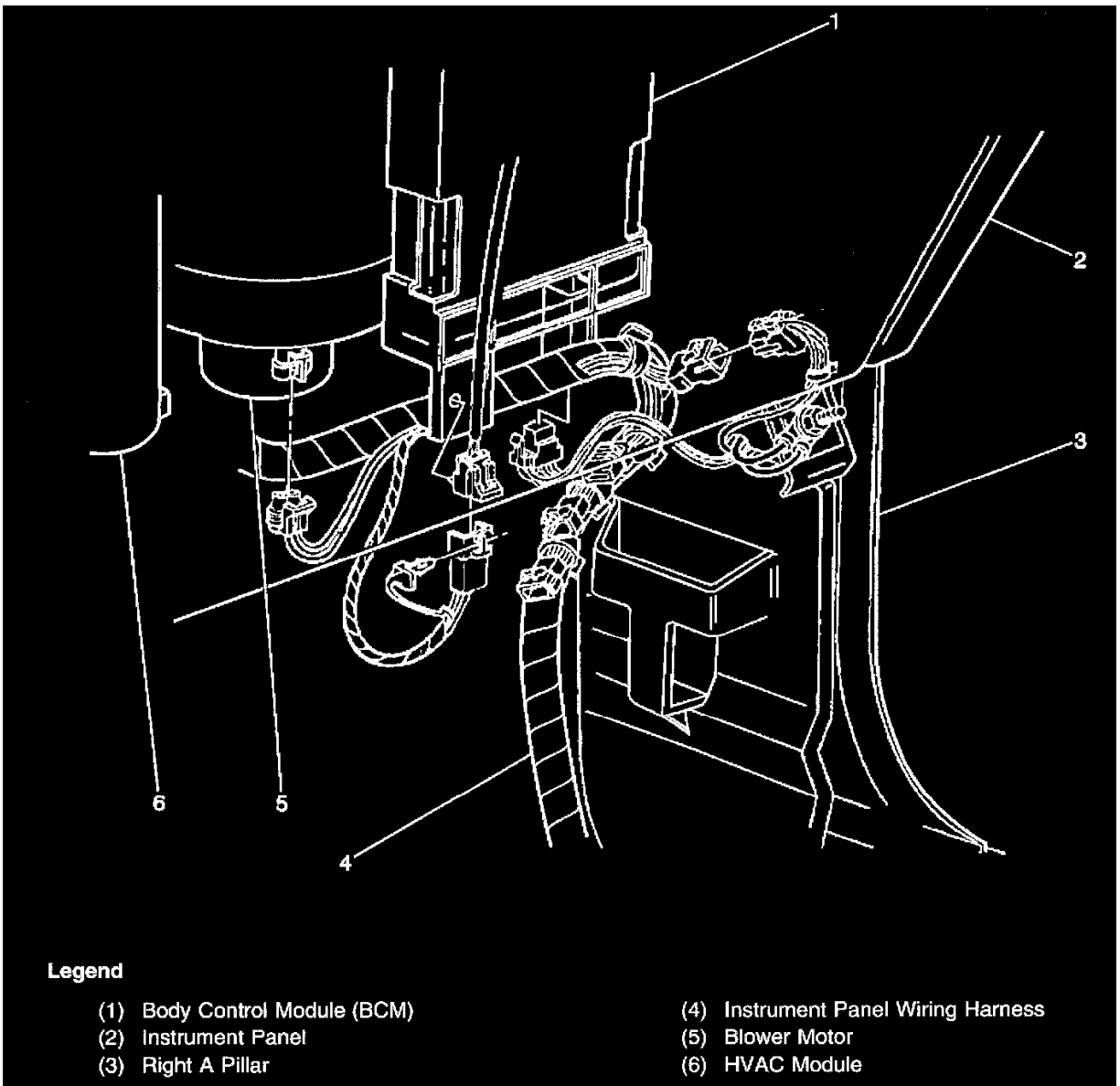
### Turn Signal Lamp Flasher (Europe)

Under the instrument panel, right of the steering column

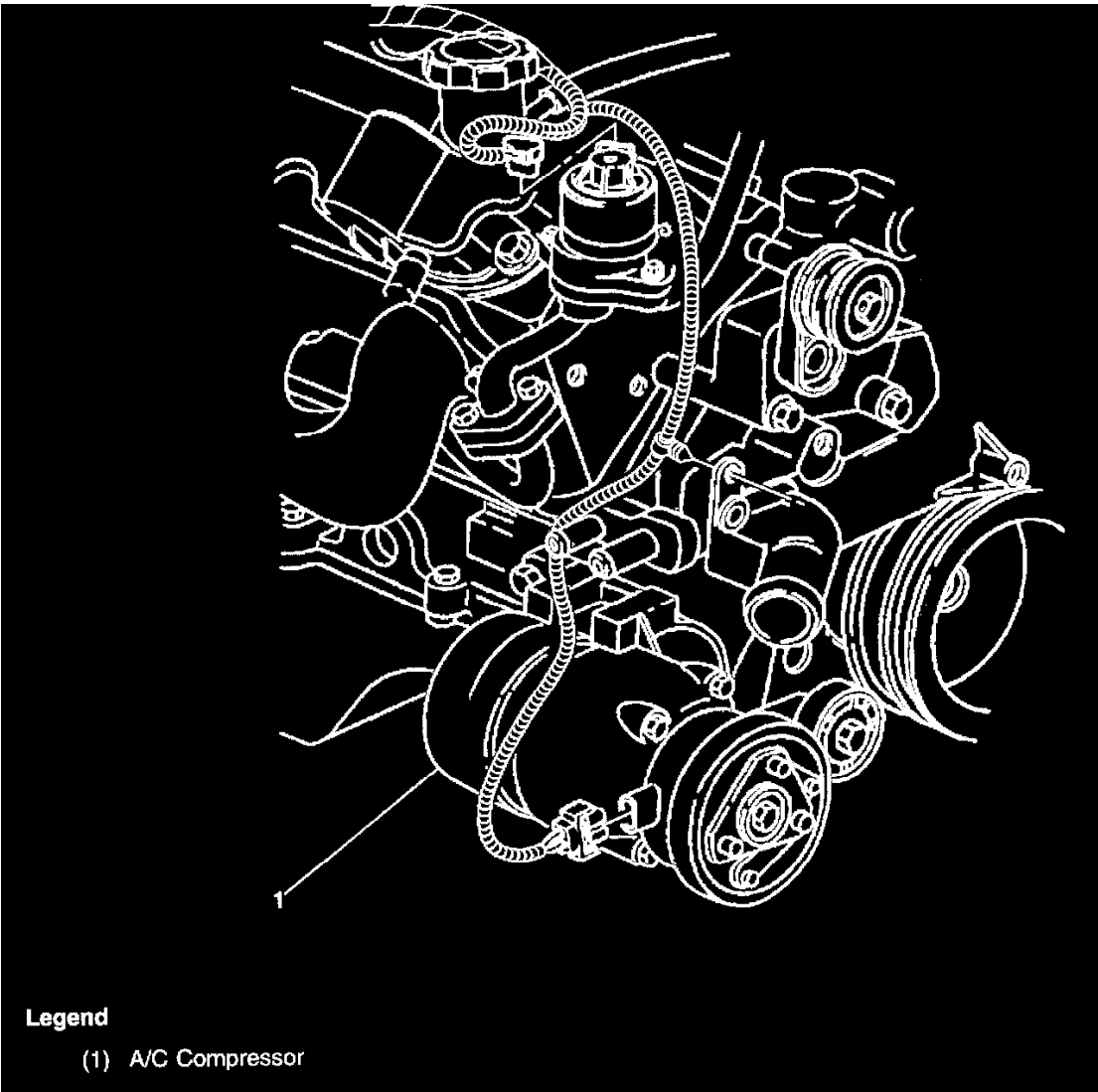


Locations View

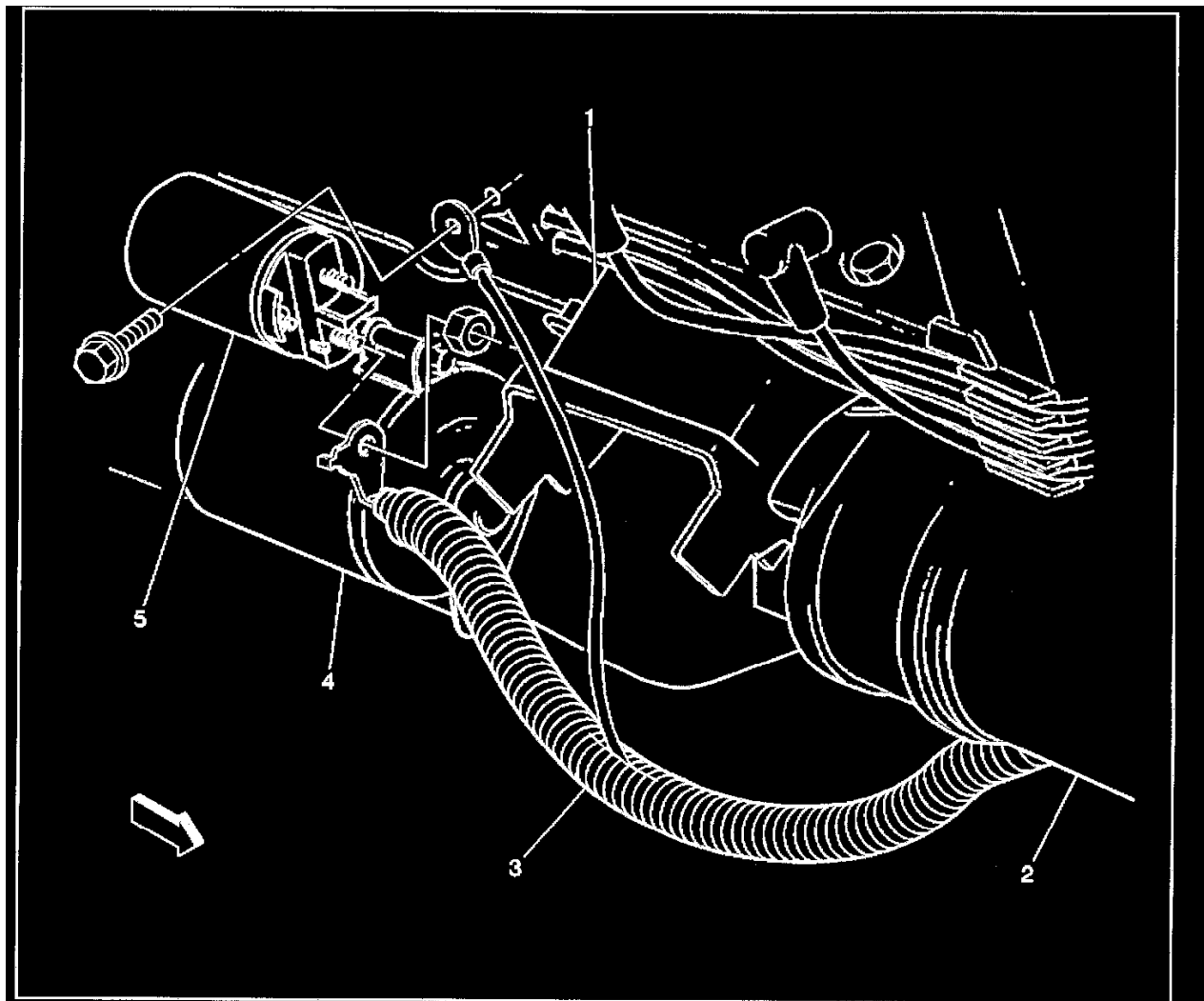




Locations View



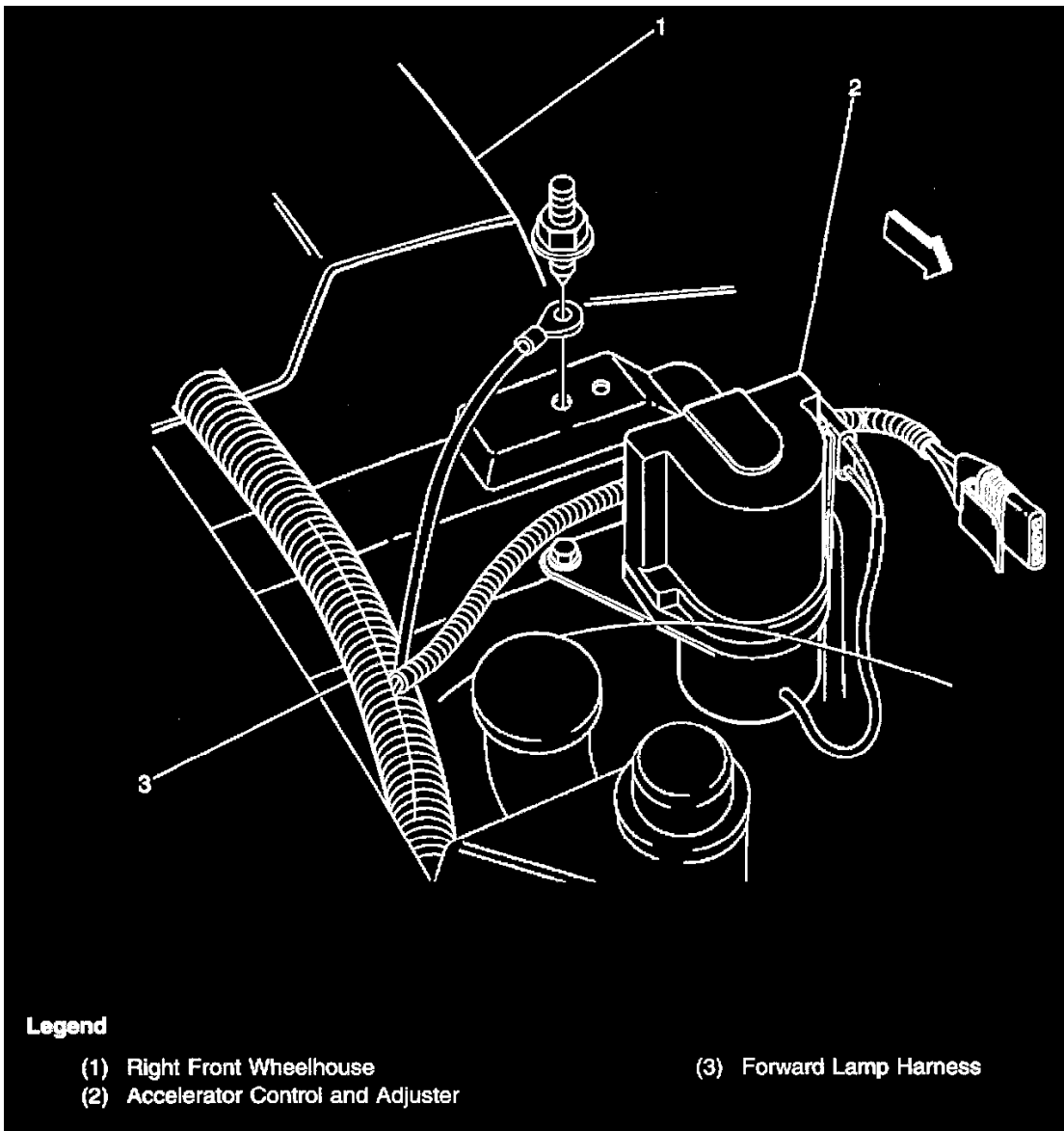
Locations View



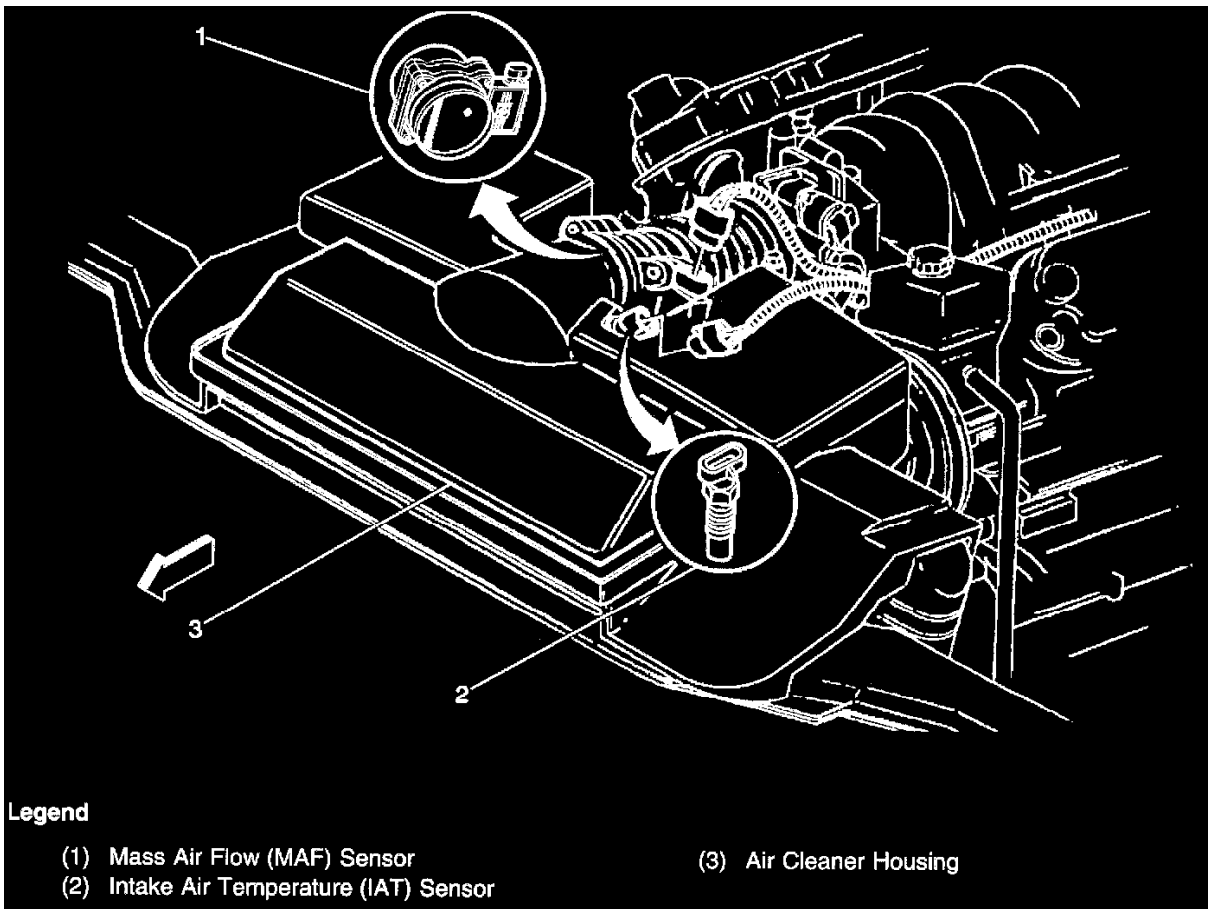
**Legend**

- |                          |                      |
|--------------------------|----------------------|
| (1) Engine Mount Bracket | (4) Starter Motor    |
| (2) A/C Compressor       | (5) Starter Solenoid |
| (3) Battery Cable        |                      |

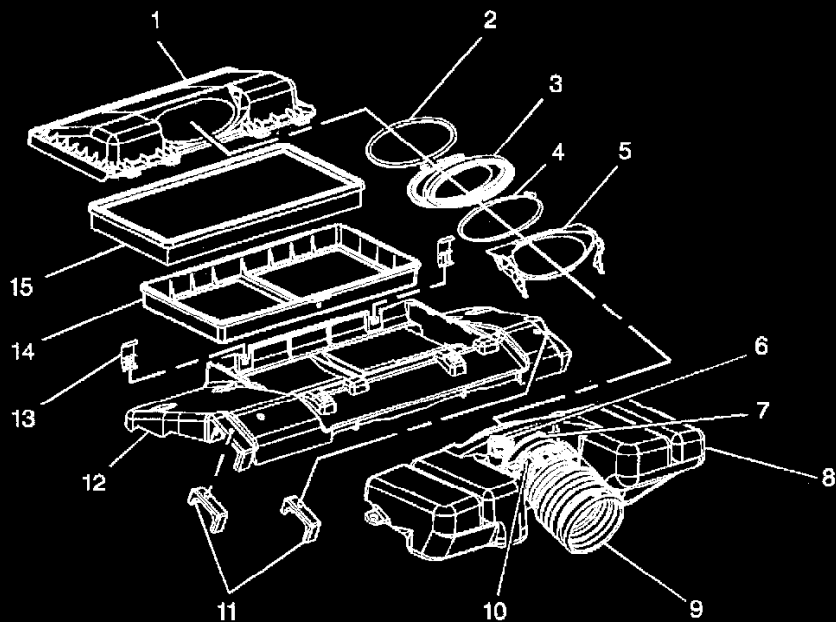
**Locations View - Lower Right Side Of Engine (V8 VIN G)**



Locations View



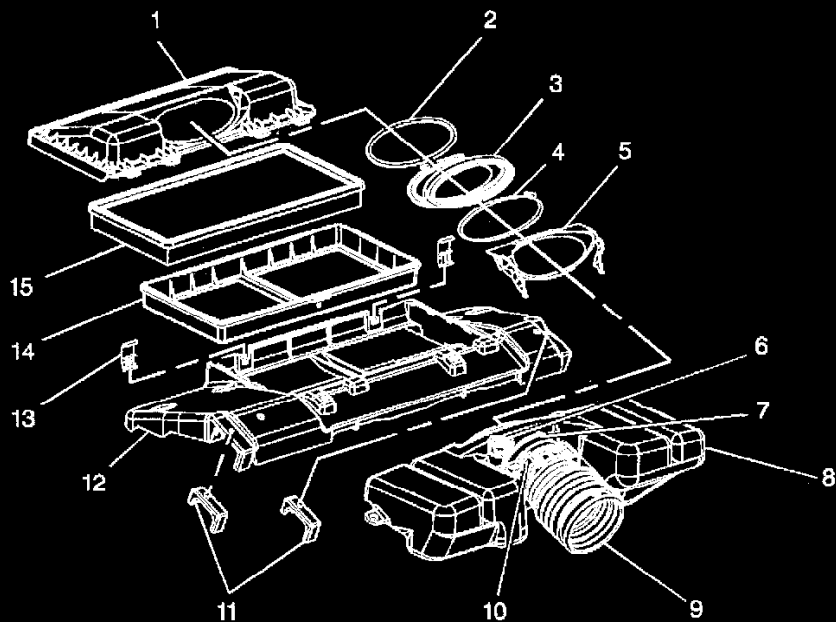
Locations View



**Legend**

- |   |   |
|---|---|
| (1) Air cleaner housing top cover         | (9) Air intake duct to throttle body    |
| (2) Seal                                  | (10) Mass Airflow (MAF) sensor          |
| (3) Air intake duct to resonator          | (11) Isolator                           |
| (4) Clamp                                 | (12) Air cleaner housing lower assembly |
| (5) Air intake duct to top cover retainer | (13) Front retaining clips              |
| (6) Intake Air Temperature (IAT) sensor   | (14) Air filter element frame           |
| (7) Clamp                                 | (15) Air filter element                 |
| (8) Air intake resonator                  |   |

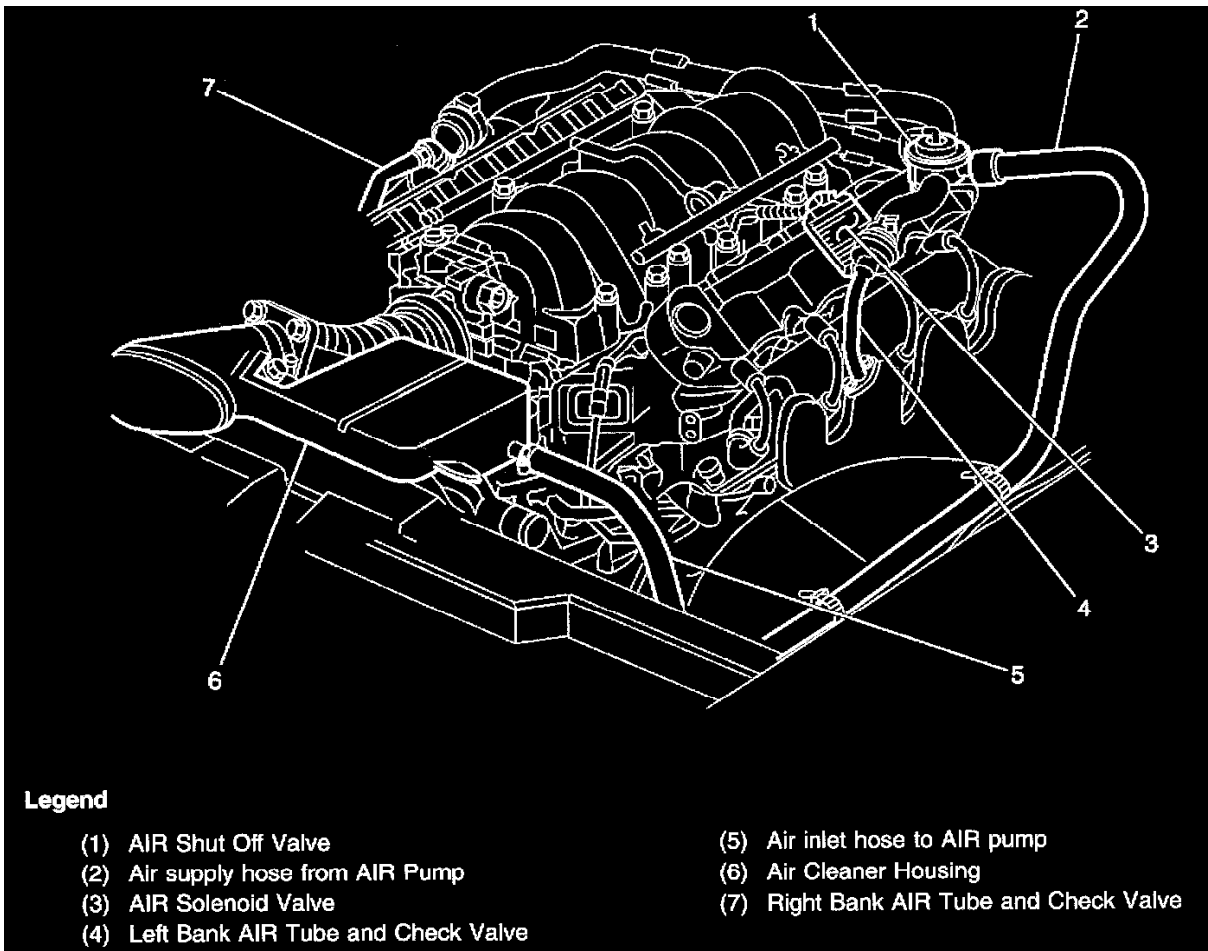
**Locations View**



**Legend**

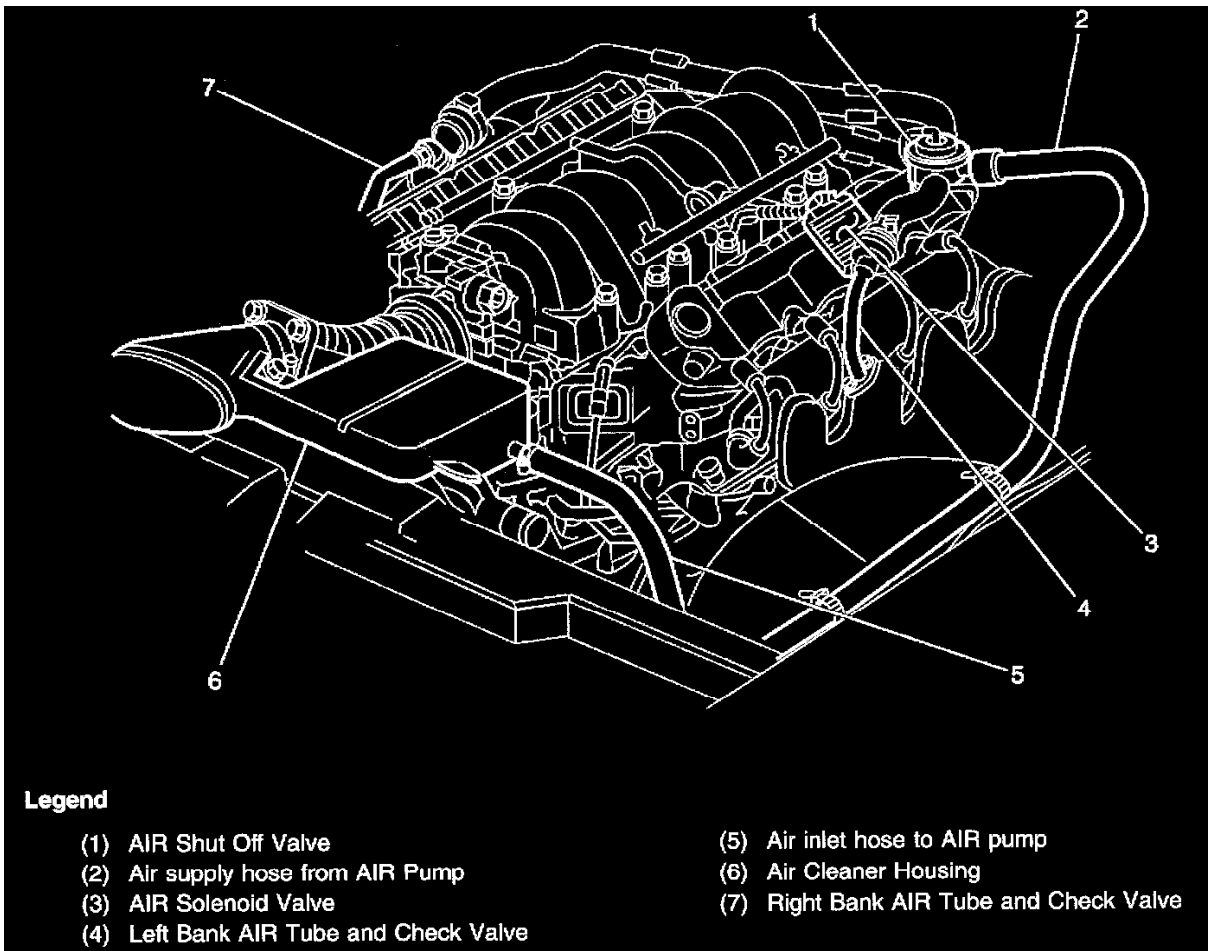
- |   |   |
|---|---|
| (1) Air cleaner housing top cover         | (9) Air intake duct to throttle body    |
| (2) Seal                                  | (10) Mass Airflow (MAF) sensor          |
| (3) Air intake duct to resonator          | (11) Isolator                           |
| (4) Clamp                                 | (12) Air cleaner housing lower assembly |
| (5) Air intake duct to top cover retainer | (13) Front retaining clips              |
| (6) Intake Air Temperature (IAT) sensor   | (14) Air filter element frame           |
| (7) Clamp                                 | (15) Air filter element                 |
| (8) Air intake resonator                  |   |

**Locations View**

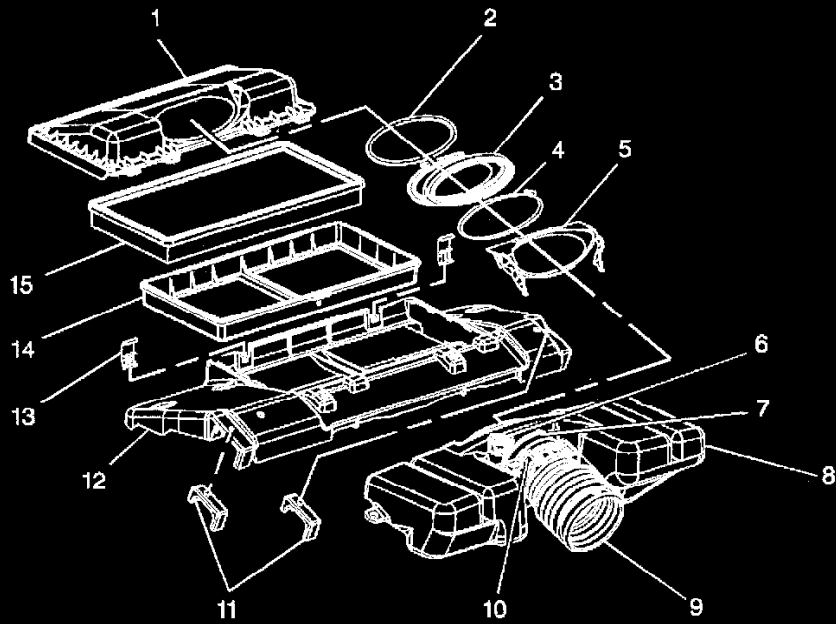


Locations View





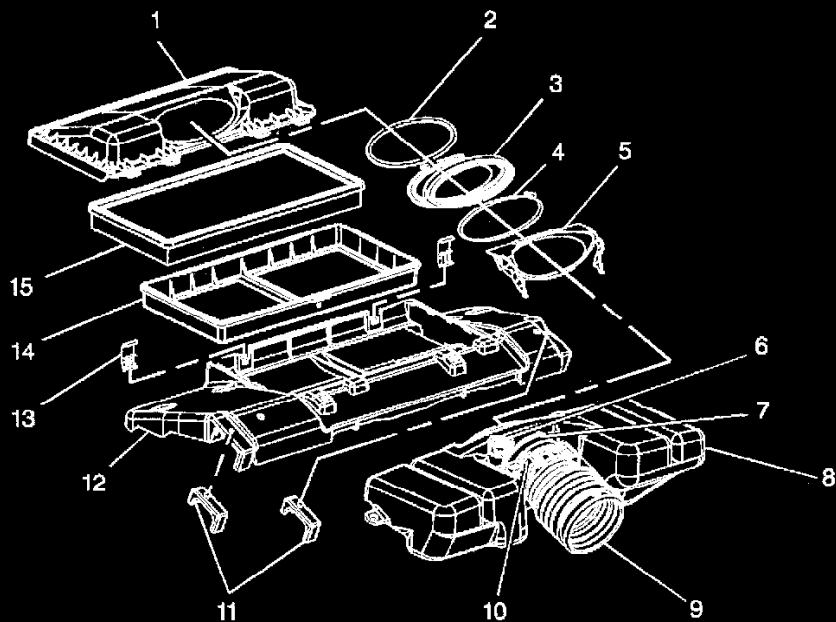
Locations View



**Legend**

- |   |   |
|---|---|
| (1) Air cleaner housing top cover         | (9) Air intake duct to throttle body    |
| (2) Seal                                  | (10) Mass Airflow (MAF) sensor          |
| (3) Air intake duct to resonator          | (11) Isolator                           |
| (4) Clamp                                 | (12) Air cleaner housing lower assembly |
| (5) Air intake duct to top cover retainer | (13) Front retaining clips              |
| (6) Intake Air Temperature (IAT) sensor   | (14) Air filter element frame           |
| (7) Clamp                                 | (15) Air filter element                 |
| (8) Air intake resonator                  |   |

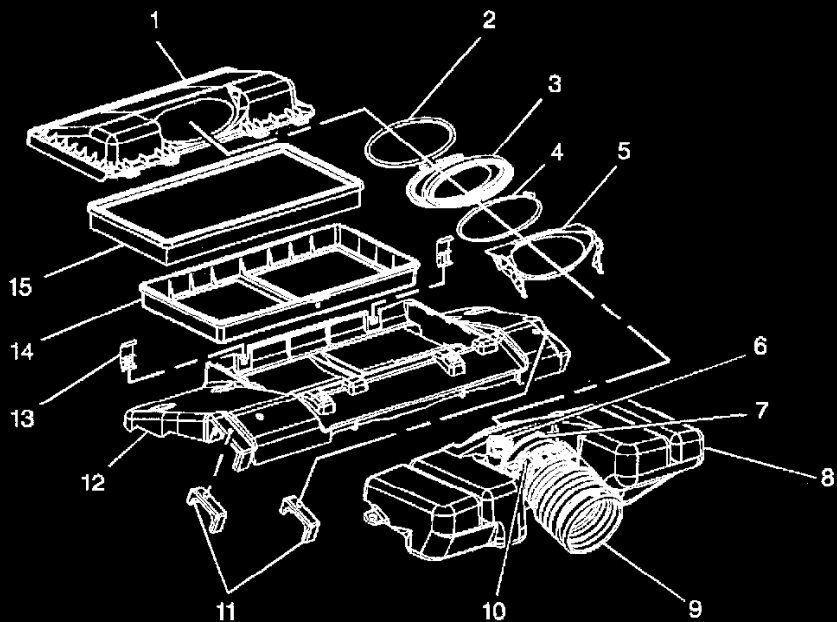
**Locations View**



**Legend**

- |   |   |
|---|---|
| (1) Air cleaner housing top cover         | (9) Air intake duct to throttle body    |
| (2) Seal                                  | (10) Mass Airflow (MAF) sensor          |
| (3) Air intake duct to resonator          | (11) Isolator                           |
| (4) Clamp                                 | (12) Air cleaner housing lower assembly |
| (5) Air intake duct to top cover retainer | (13) Front retaining clips              |
| (6) Intake Air Temperature (IAT) sensor   | (14) Air filter element frame           |
| (7) Clamp                                 | (15) Air filter element                 |
| (8) Air intake resonator                  |   |

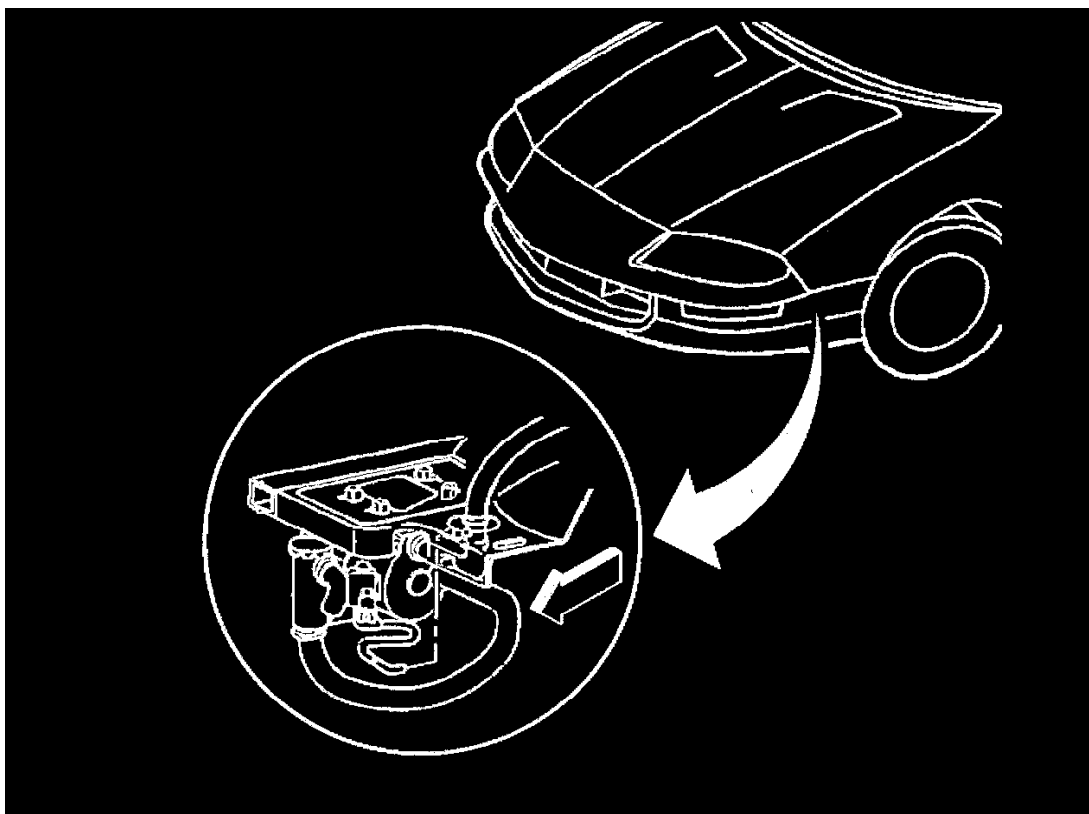
**Locations View**



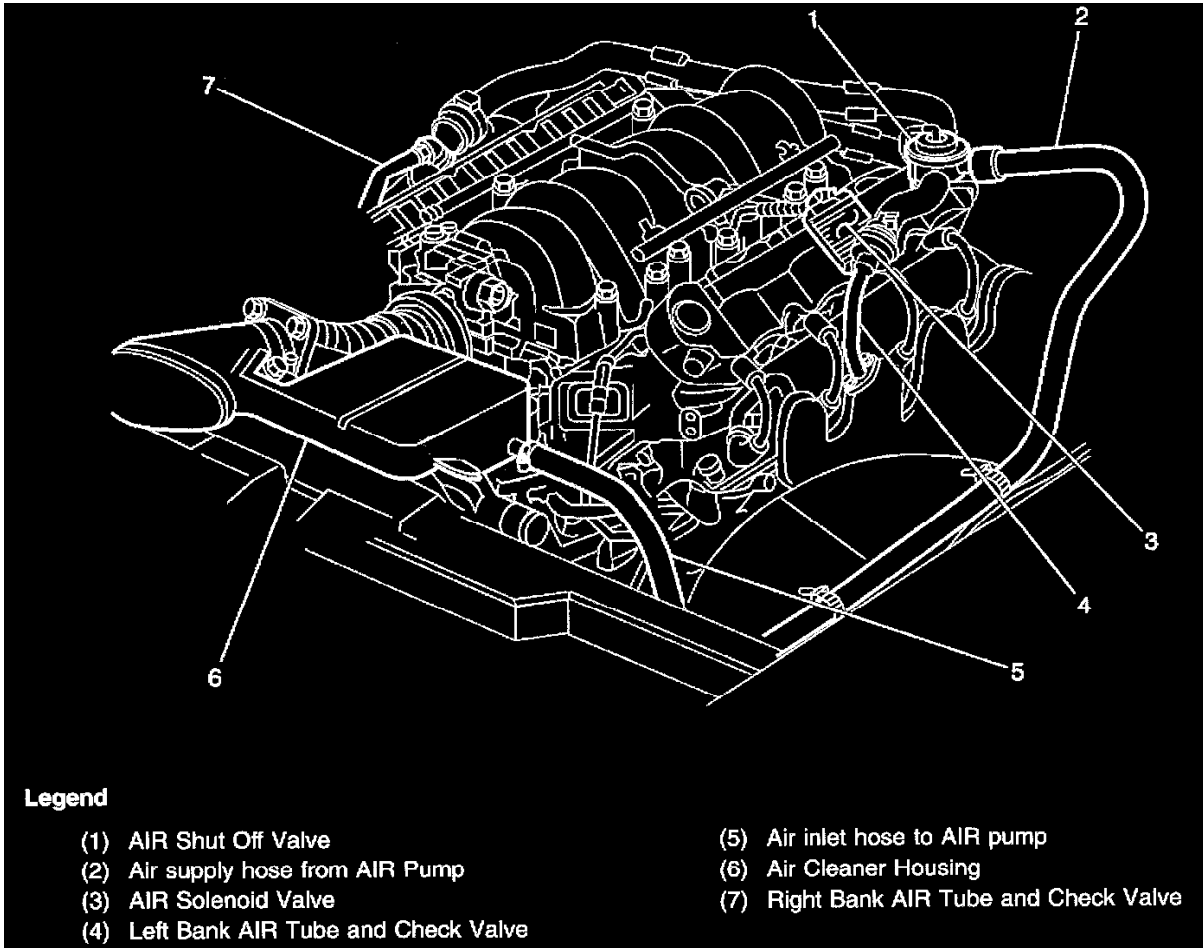
**Legend**

- |   |   |
|---|---|
| (1) Air cleaner housing top cover         | (9) Air intake duct to throttle body    |
| (2) Seal                                  | (10) Mass Airflow (MAF) sensor          |
| (3) Air intake duct to resonator          | (11) Isolator                           |
| (4) Clamp                                 | (12) Air cleaner housing lower assembly |
| (5) Air intake duct to top cover retainer | (13) Front retaining clips              |
| (6) Intake Air Temperature (IAT) sensor   | (14) Air filter element frame           |
| (7) Clamp                                 | (15) Air filter element                 |
| (8) Air intake resonator                  |   |

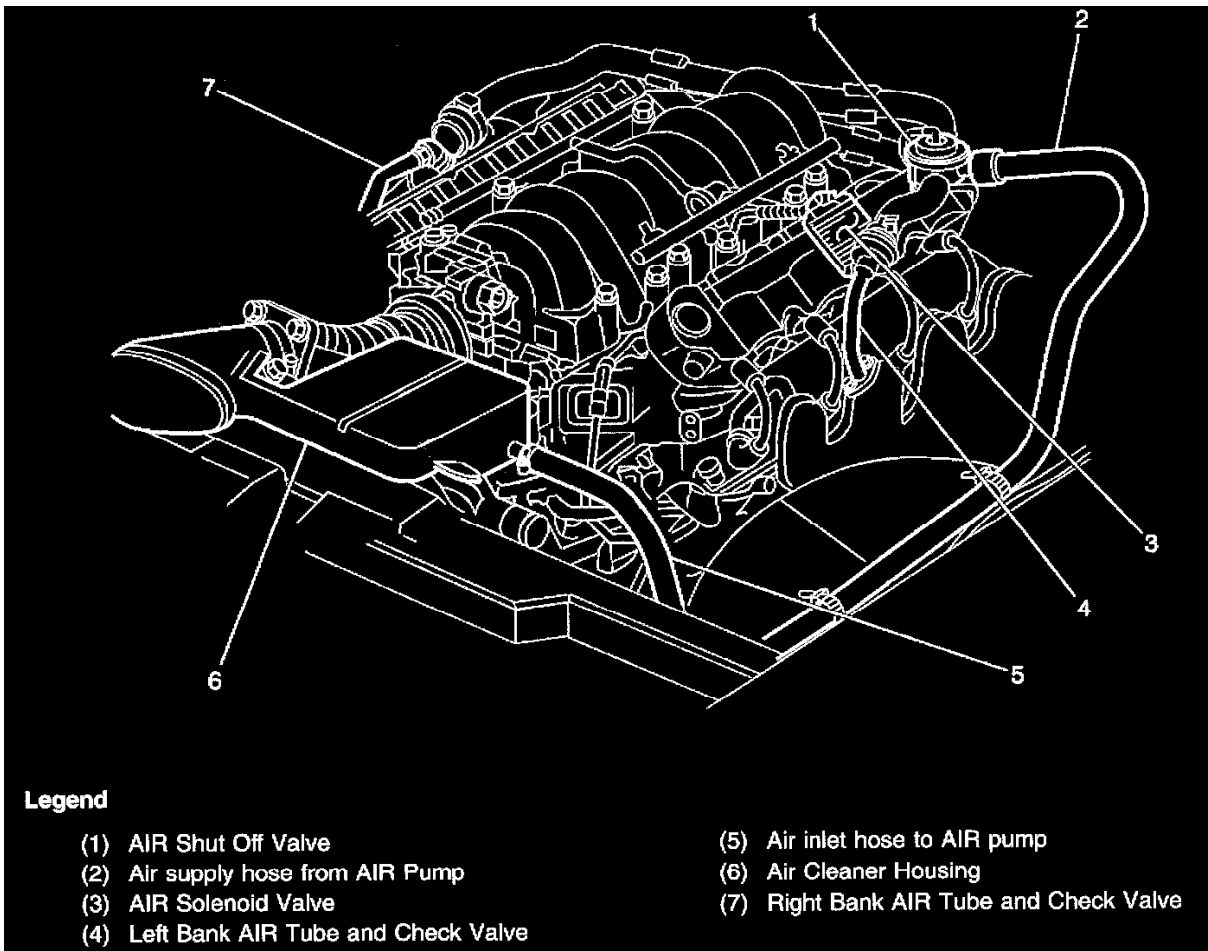
**Locations View**



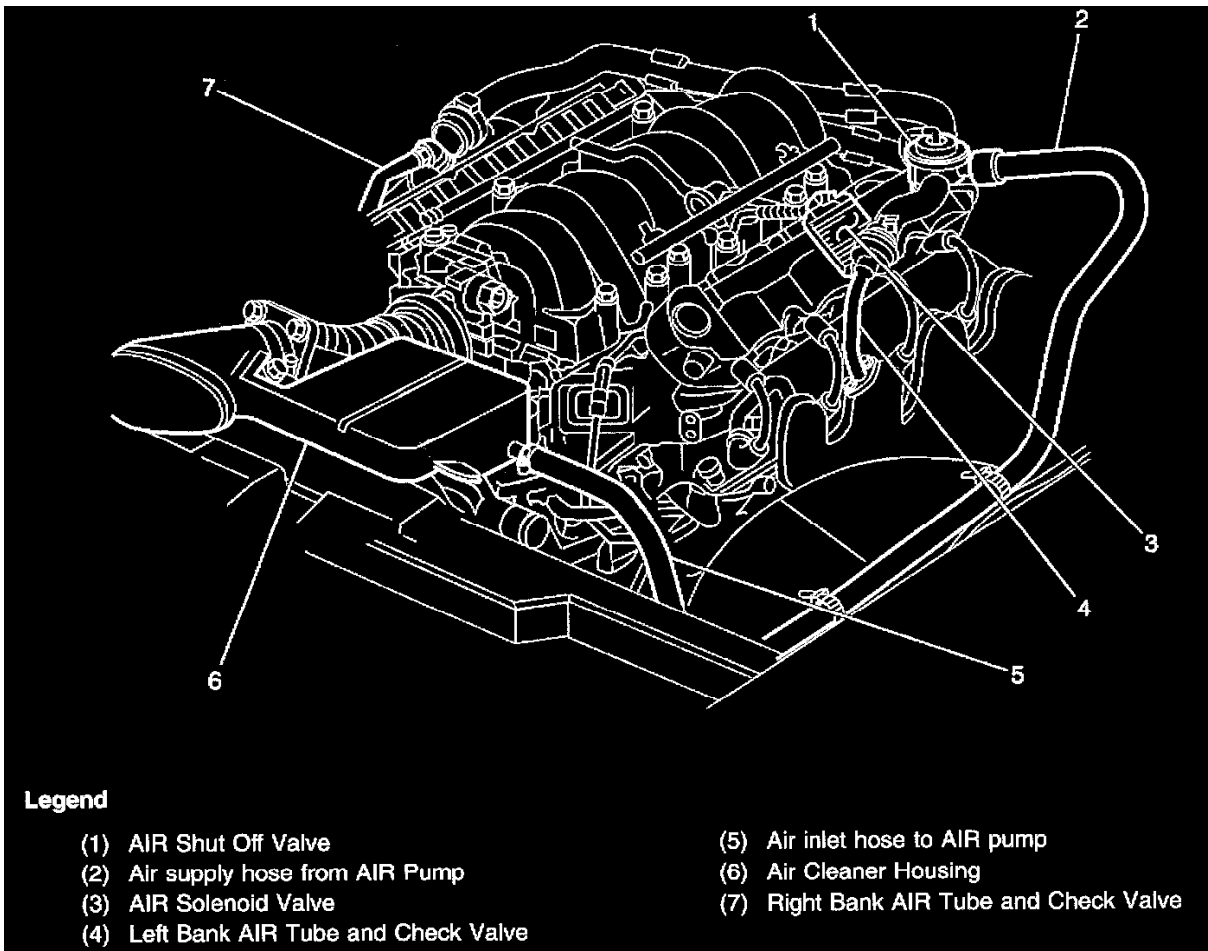
### AIR Pump Location



Locations View

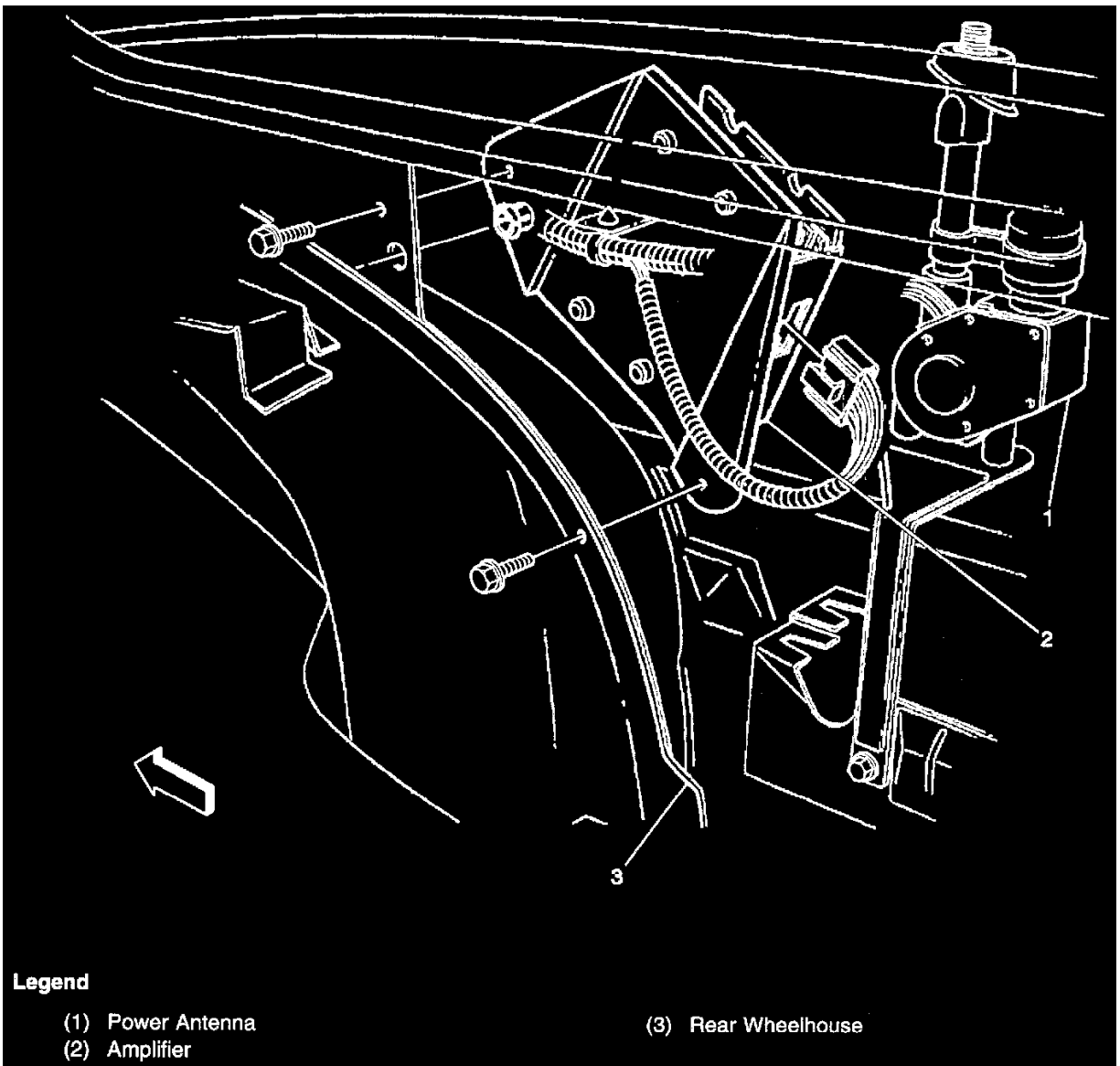


Locations View



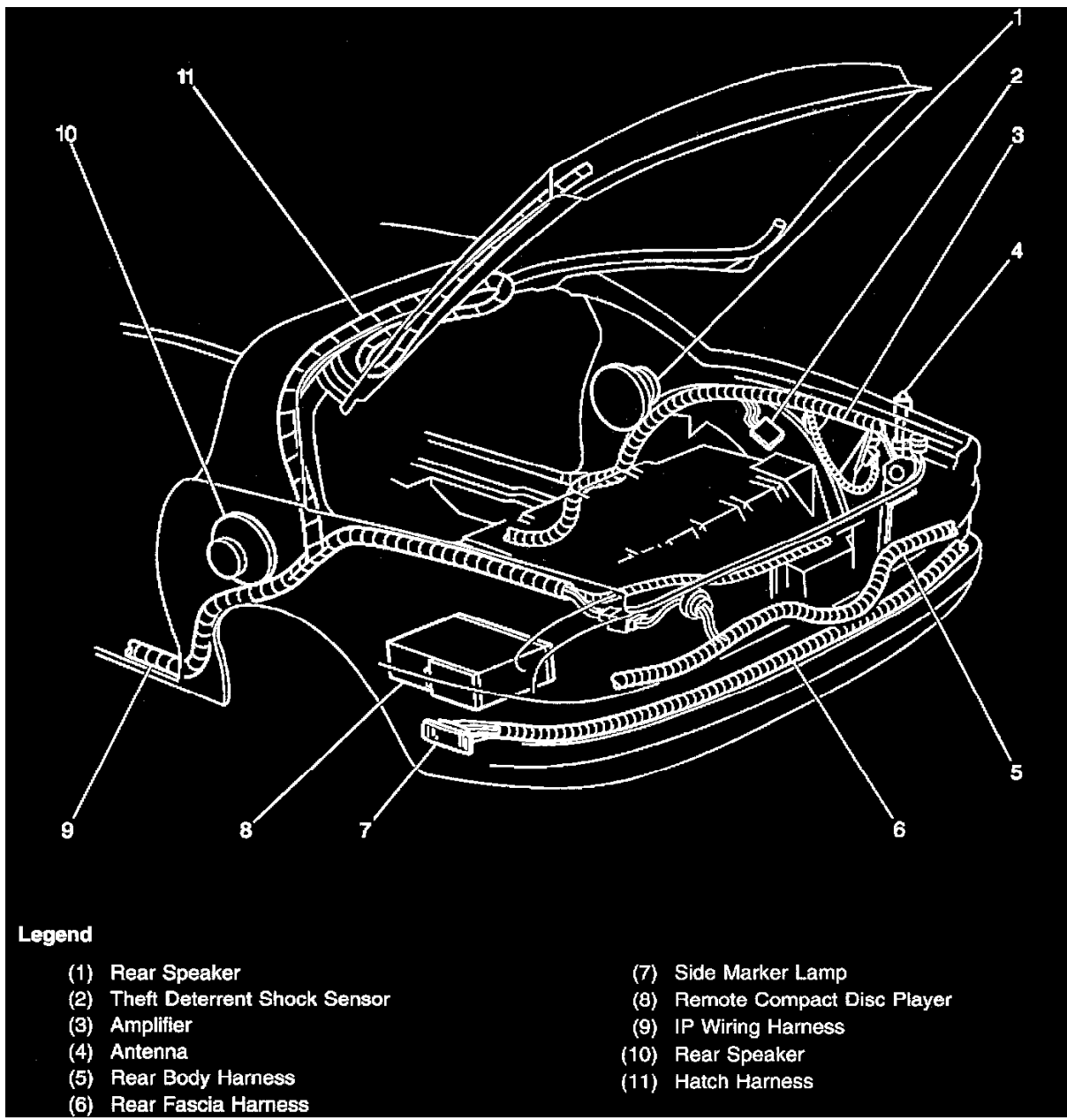
Locations View

Amplifier



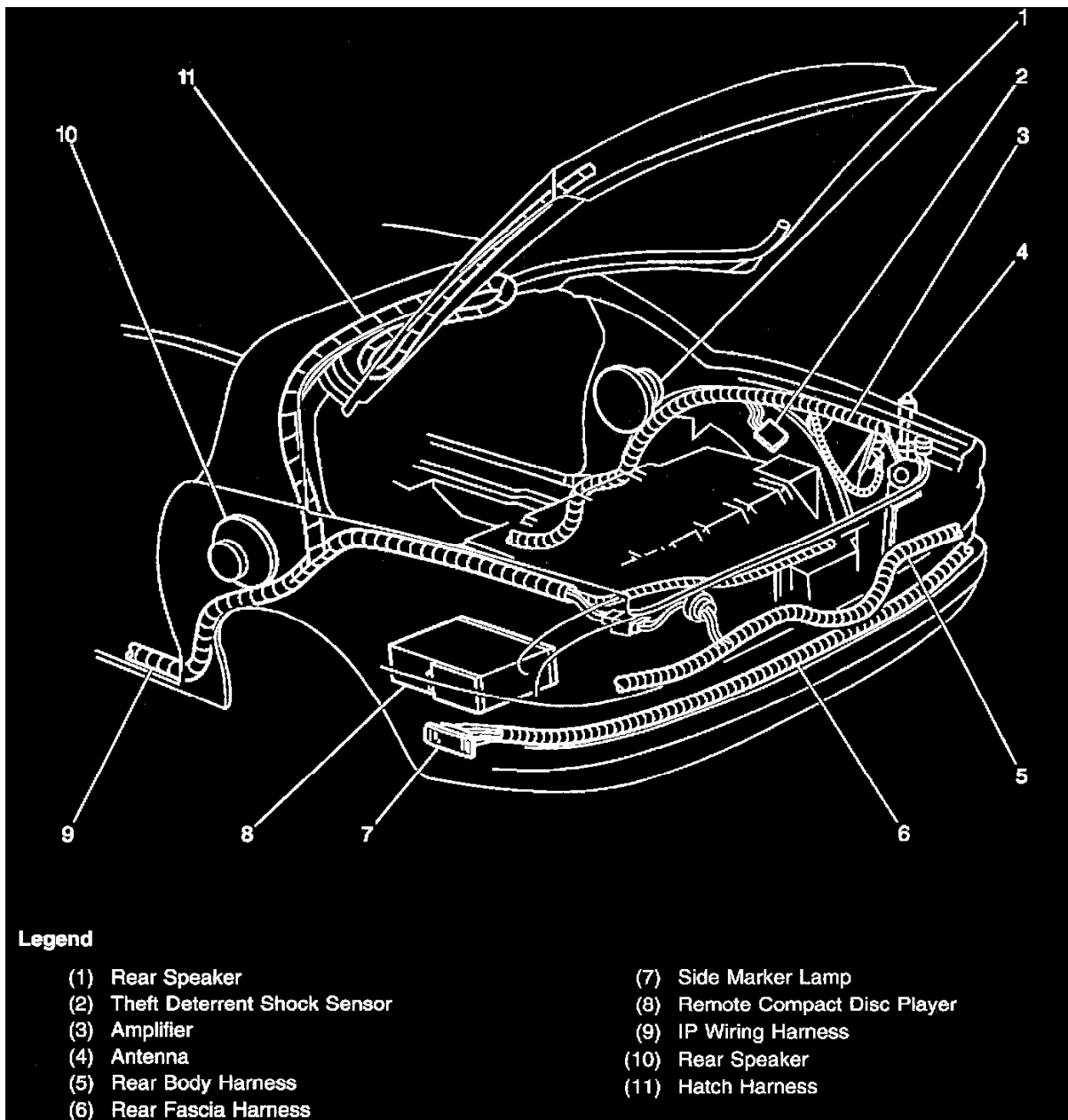
Locations View





Locations View

Mounted behind the right rear quarter inner trim panel

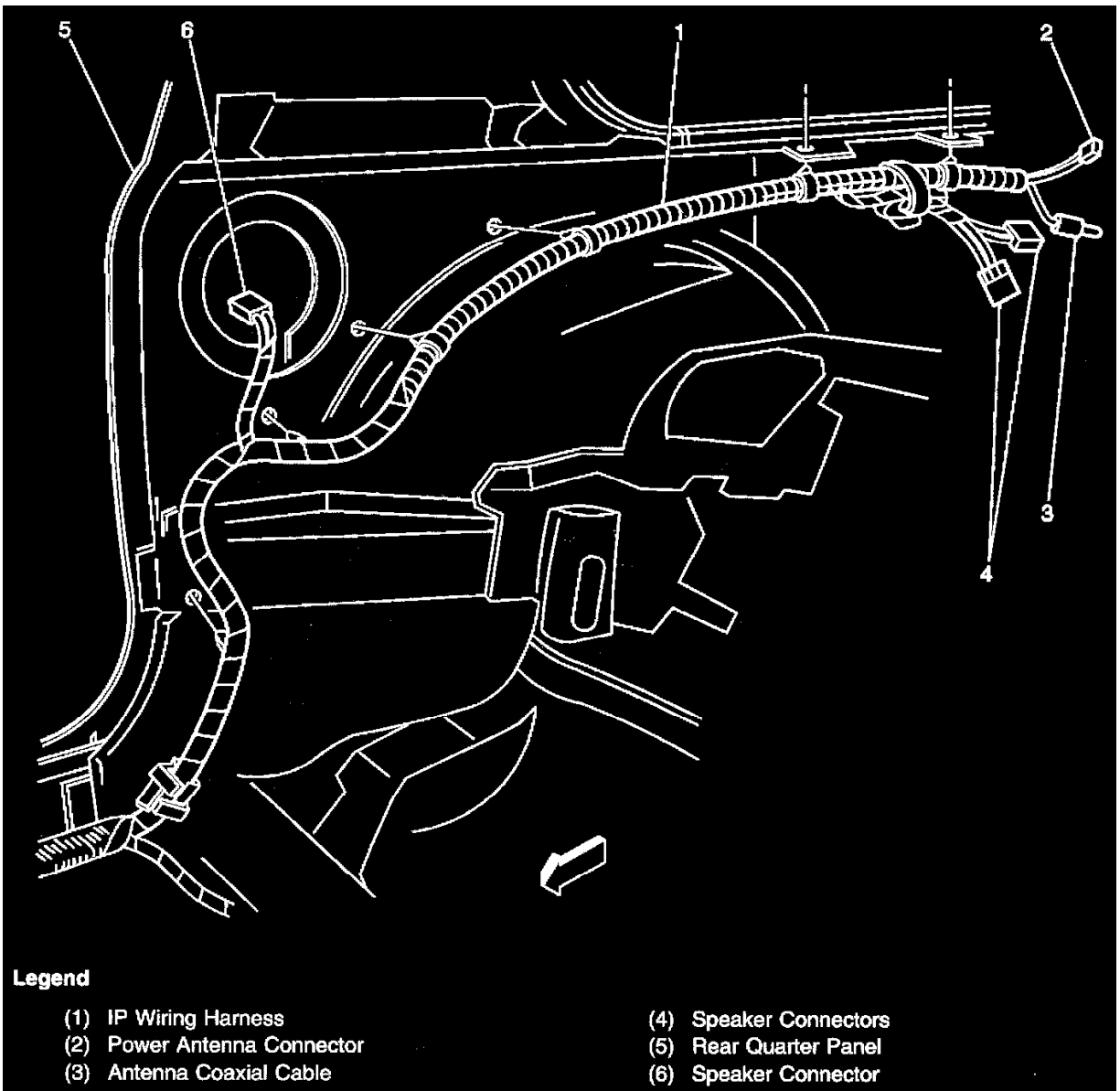


Locations View

**Antenna (Radio Power)**

Behind the right rear quarter inner trim panel

Mounted behind the right rear quarter inner trim panel

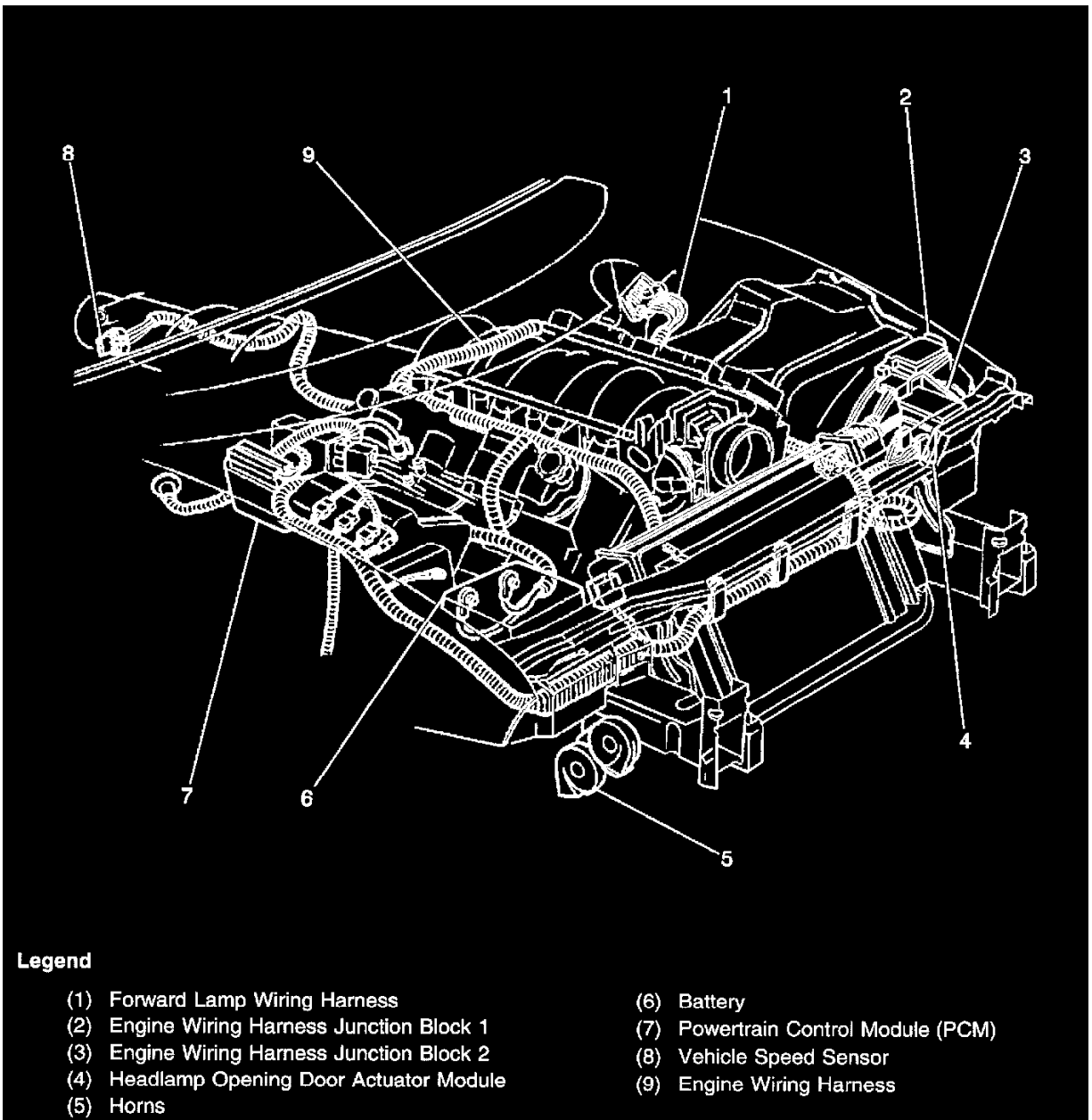


Locations View

### Auxiliary Power Outlet

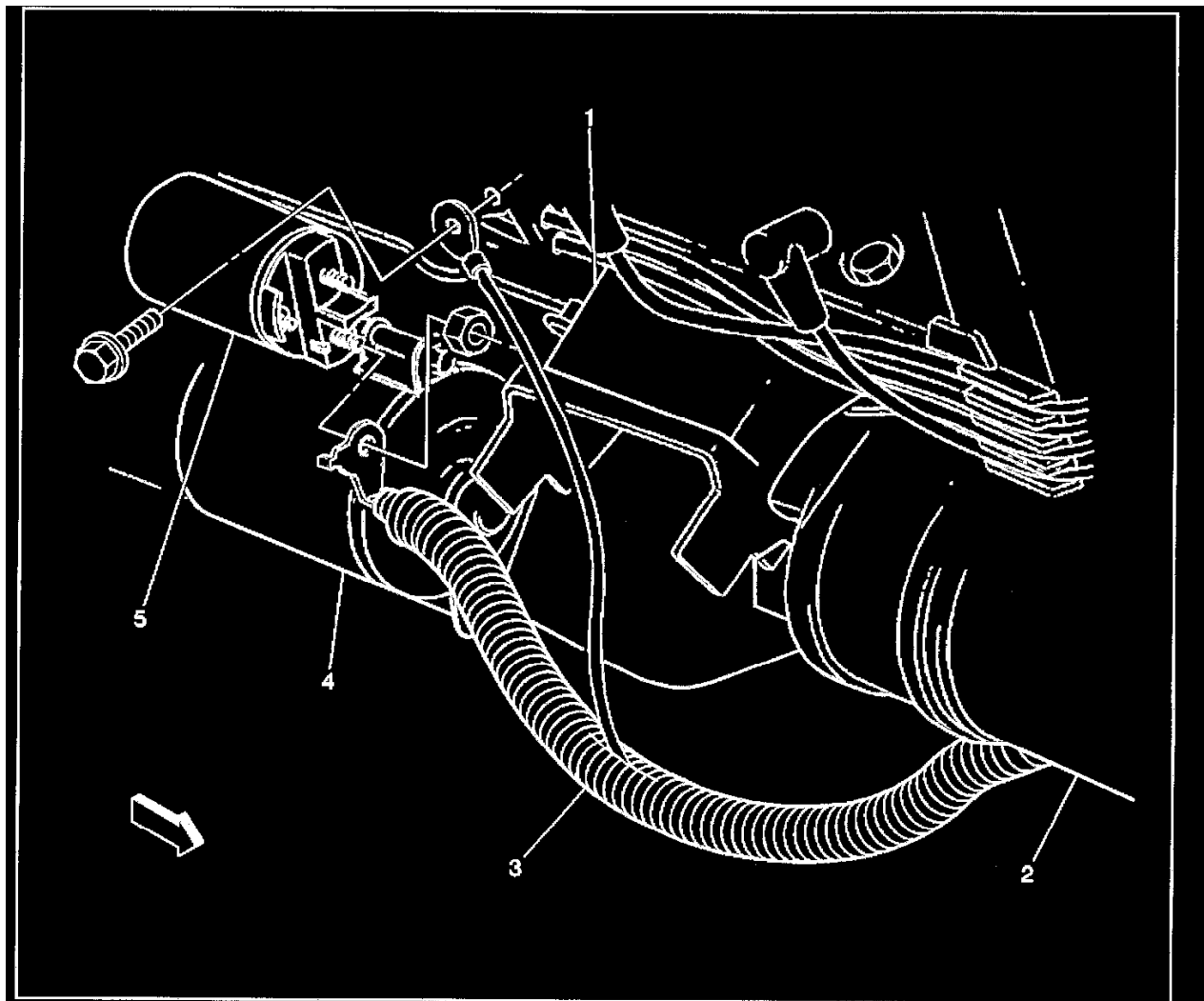
On the lower right side of the front of the console

### Battery



**Locations View**

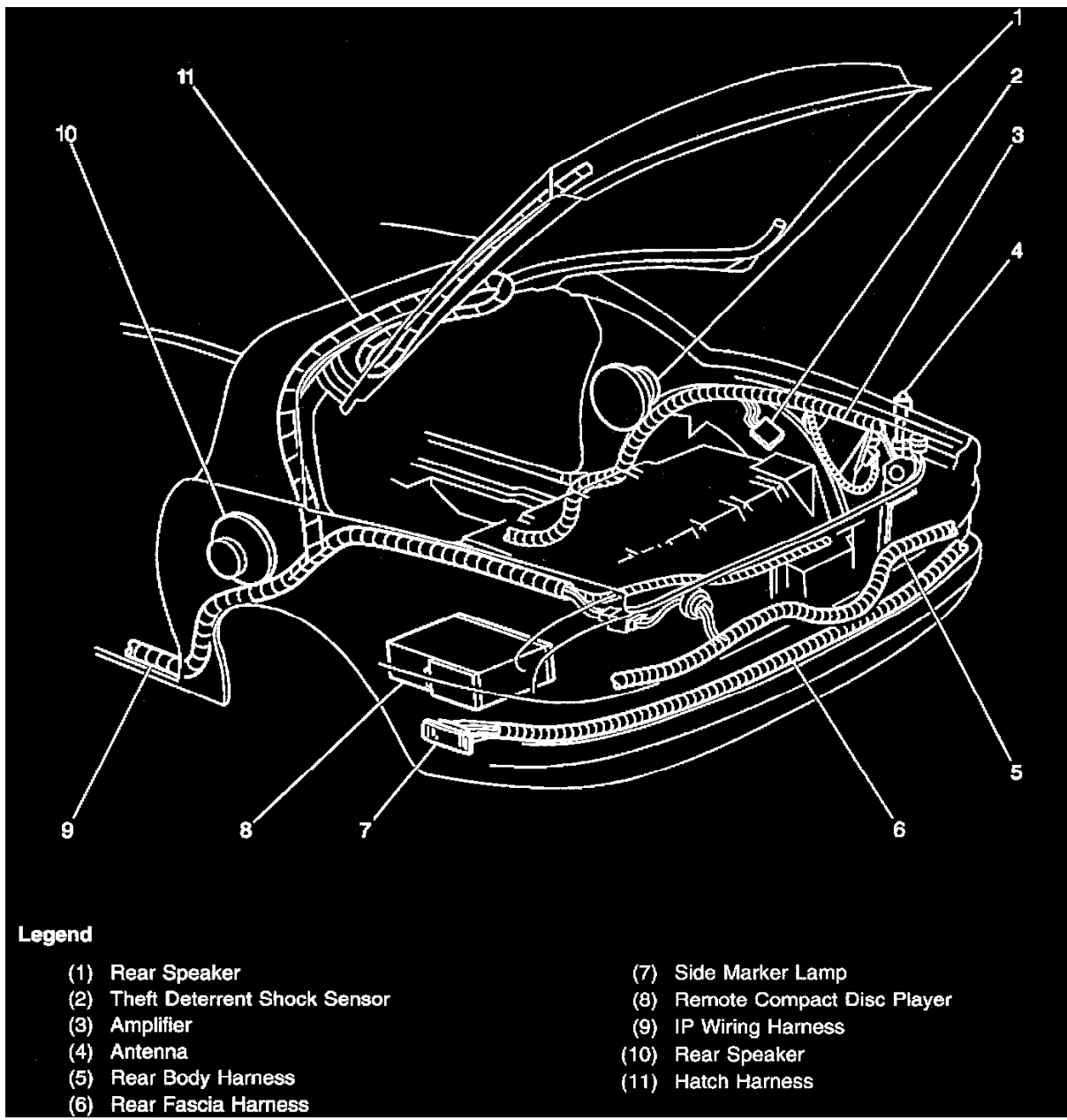
In the right front of the engine compartment



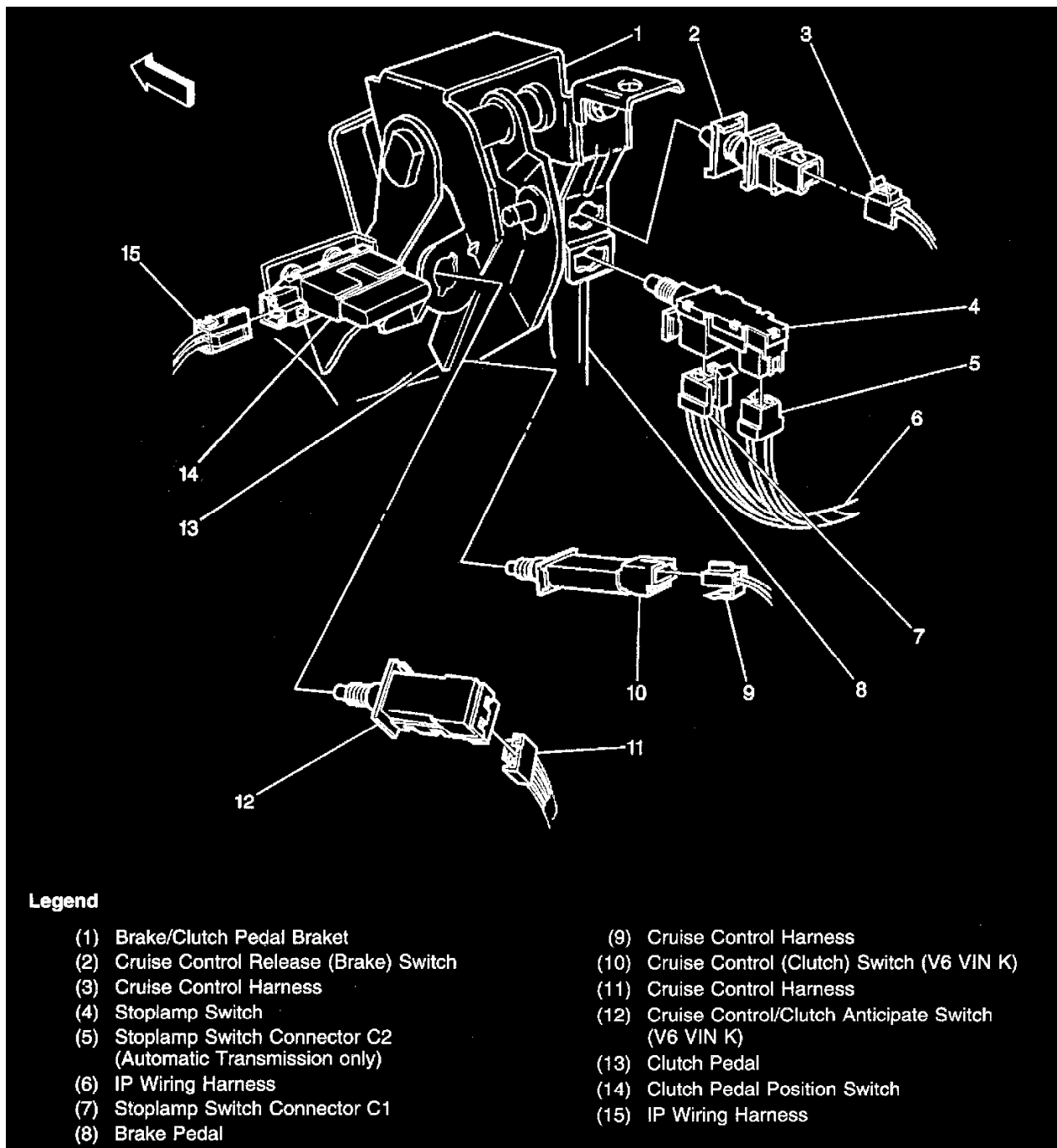
**Legend**

- |                          |                      |
|--------------------------|----------------------|
| (1) Engine Mount Bracket | (4) Starter Motor    |
| (2) A/C Compressor       | (5) Starter Solenoid |
| (3) Battery Cable        |                      |

**Locations View - Lower Right Side Of Engine (V8 VIN G)**



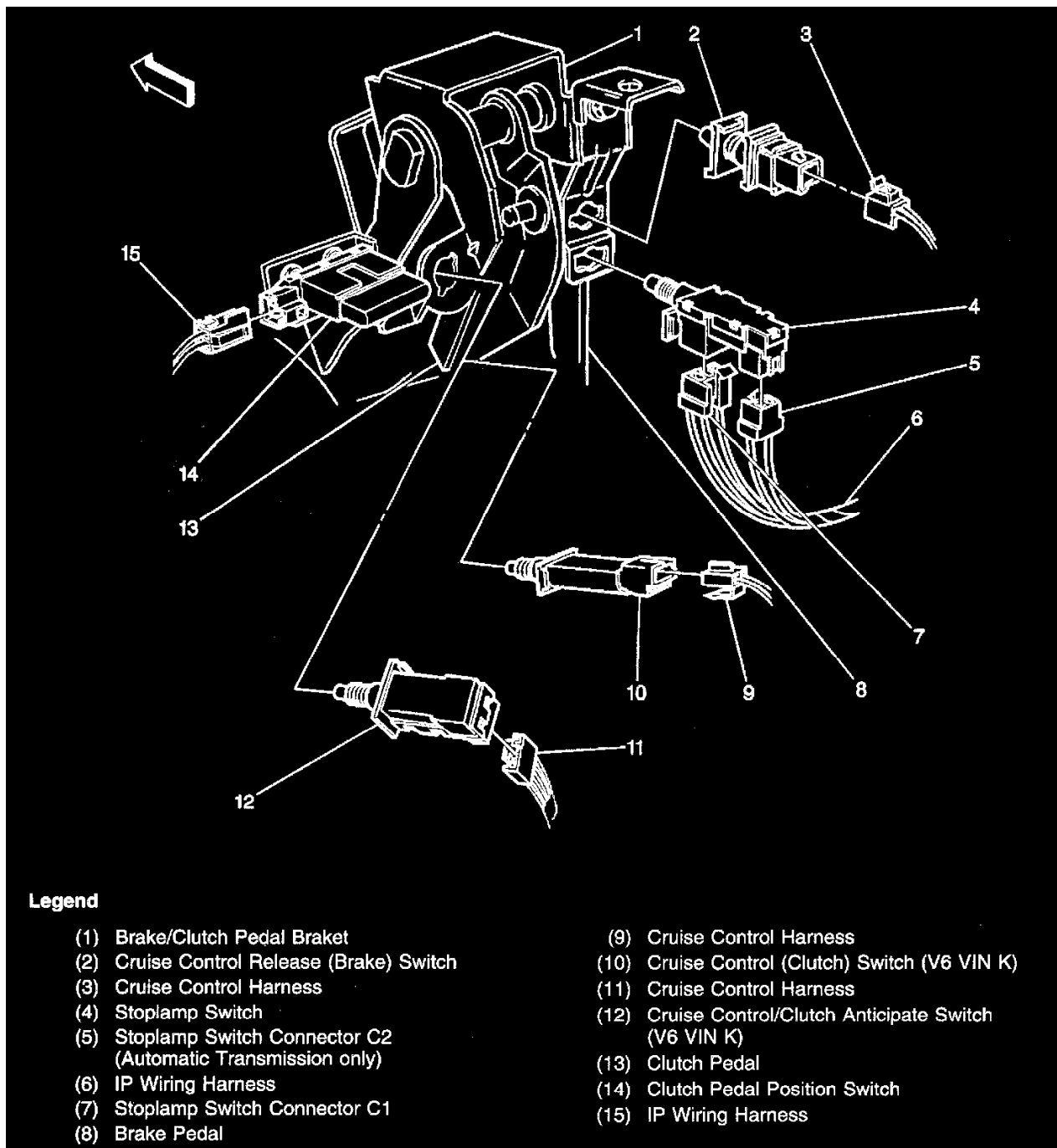
Locations View



### Legend

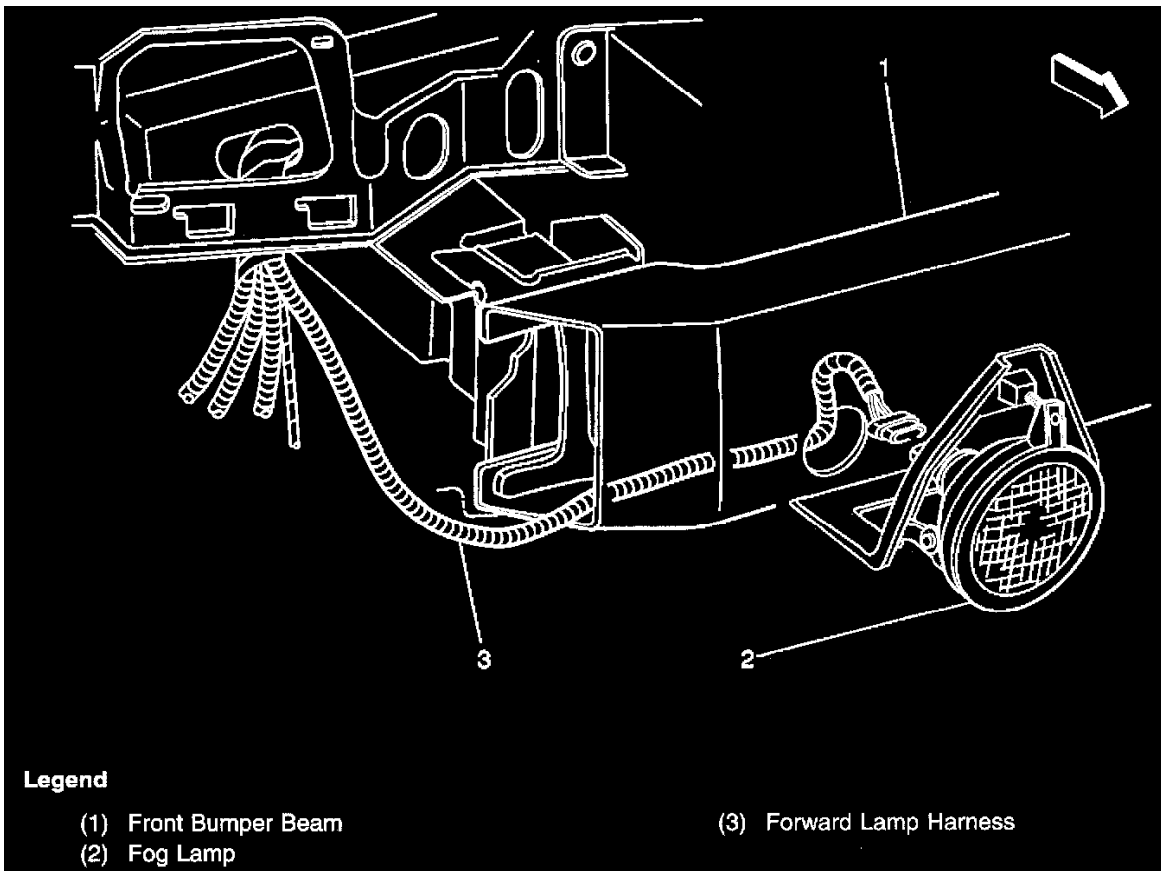
- |  |   |
|--|---|
| (1) Brake/Clutch Pedal Bracket                                 | (9) Cruise Control Harness                              |
| (2) Cruise Control Release (Brake) Switch                      | (10) Cruise Control (Clutch) Switch (V6 VIN K)          |
| (3) Cruise Control Harness                                     | (11) Cruise Control Harness                             |
| (4) Stoplamp Switch  | (12) Cruise Control/Clutch Anticipate Switch (V6 VIN K) |
| (5) Stoplamp Switch Connector C2 (Automatic Transmission only) | (13) Clutch Pedal                                       |
| (6) IP Wiring Harness  | (14) Clutch Pedal Position Switch                       |
| (7) Stoplamp Switch Connector C1                               | (15) IP Wiring Harness                                  |
| (8) Brake Pedal  |   |

Locations View

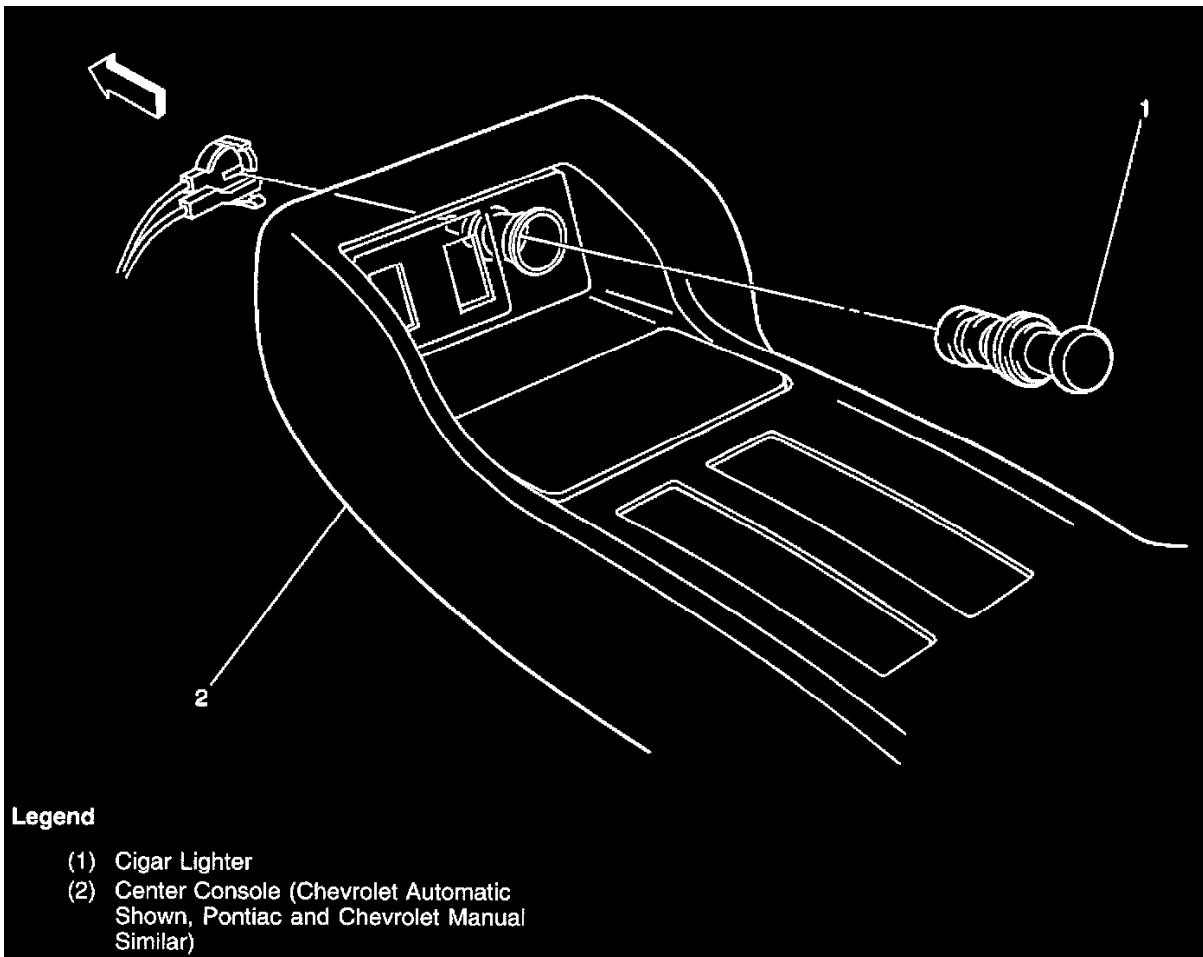


Locations View



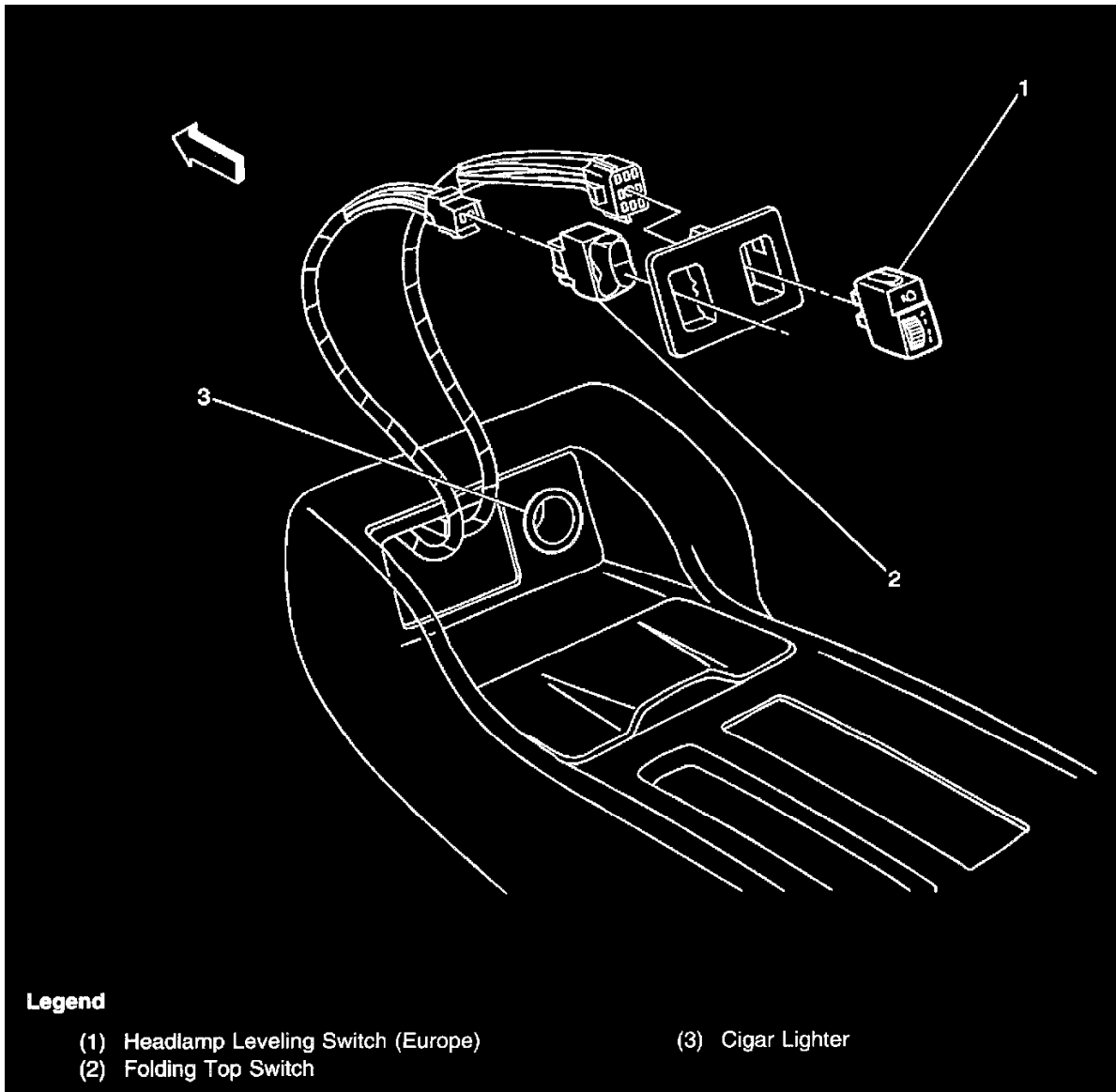


Locations View

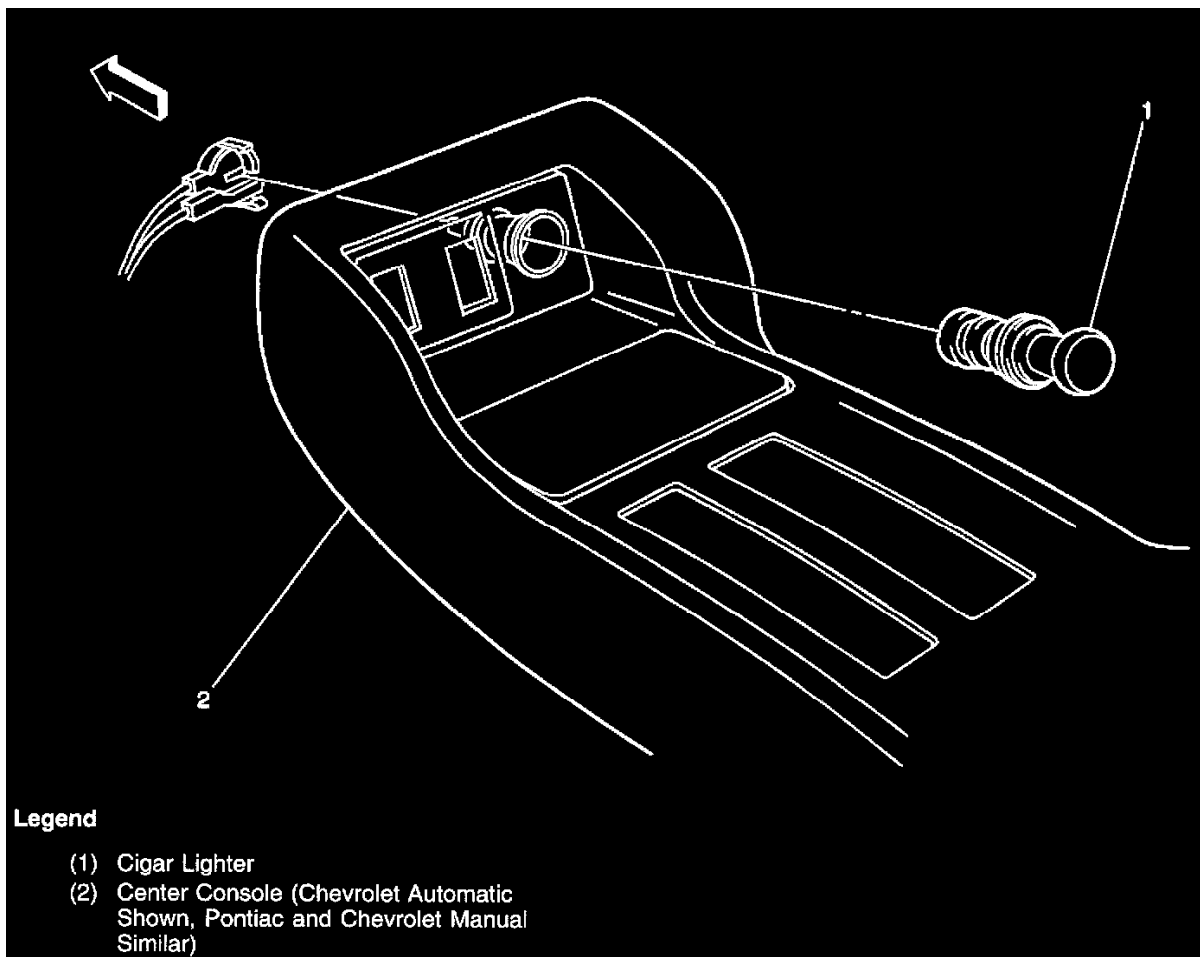


Locations View

# Cigar Lighter

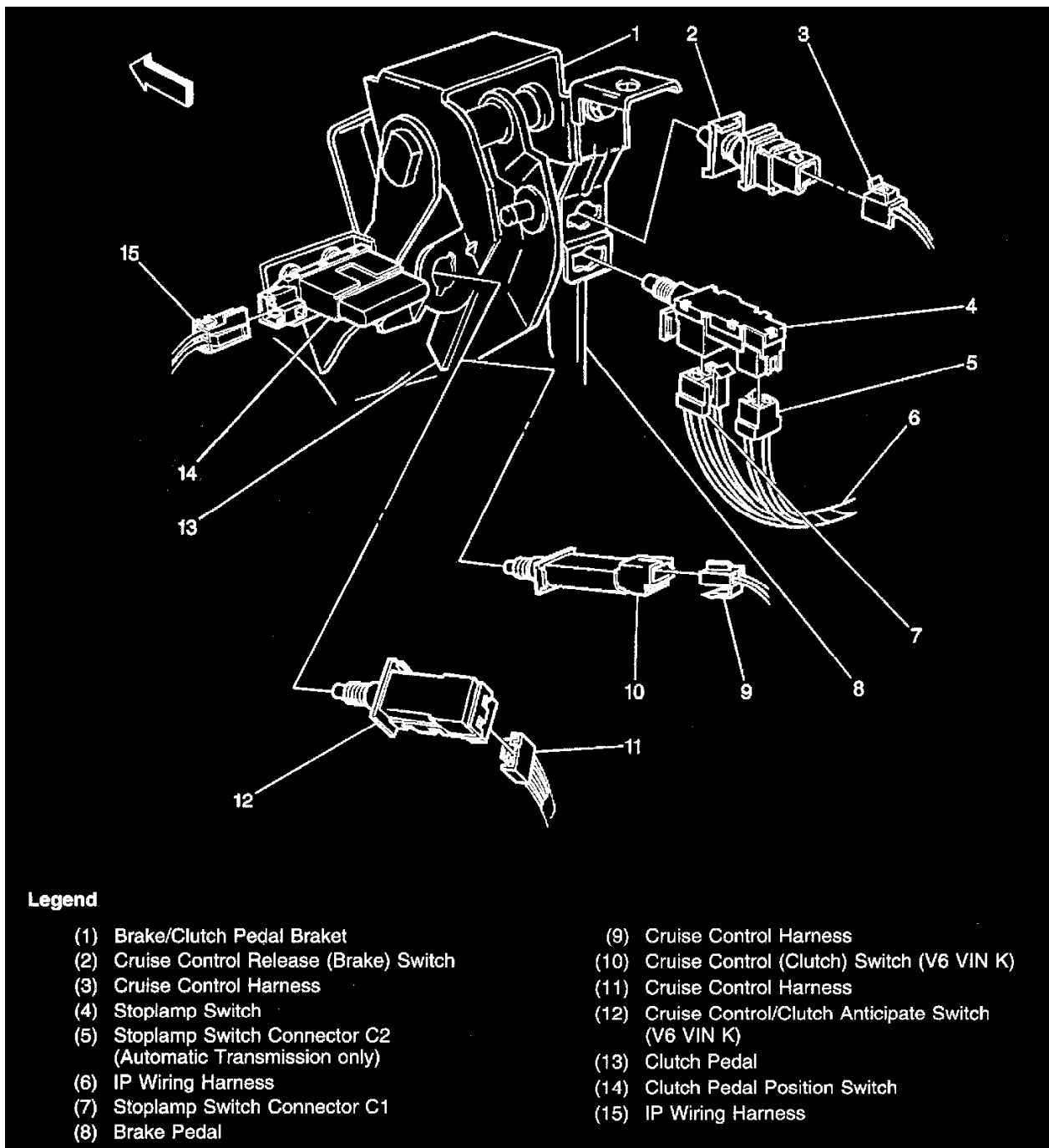


Locations View



Locations View

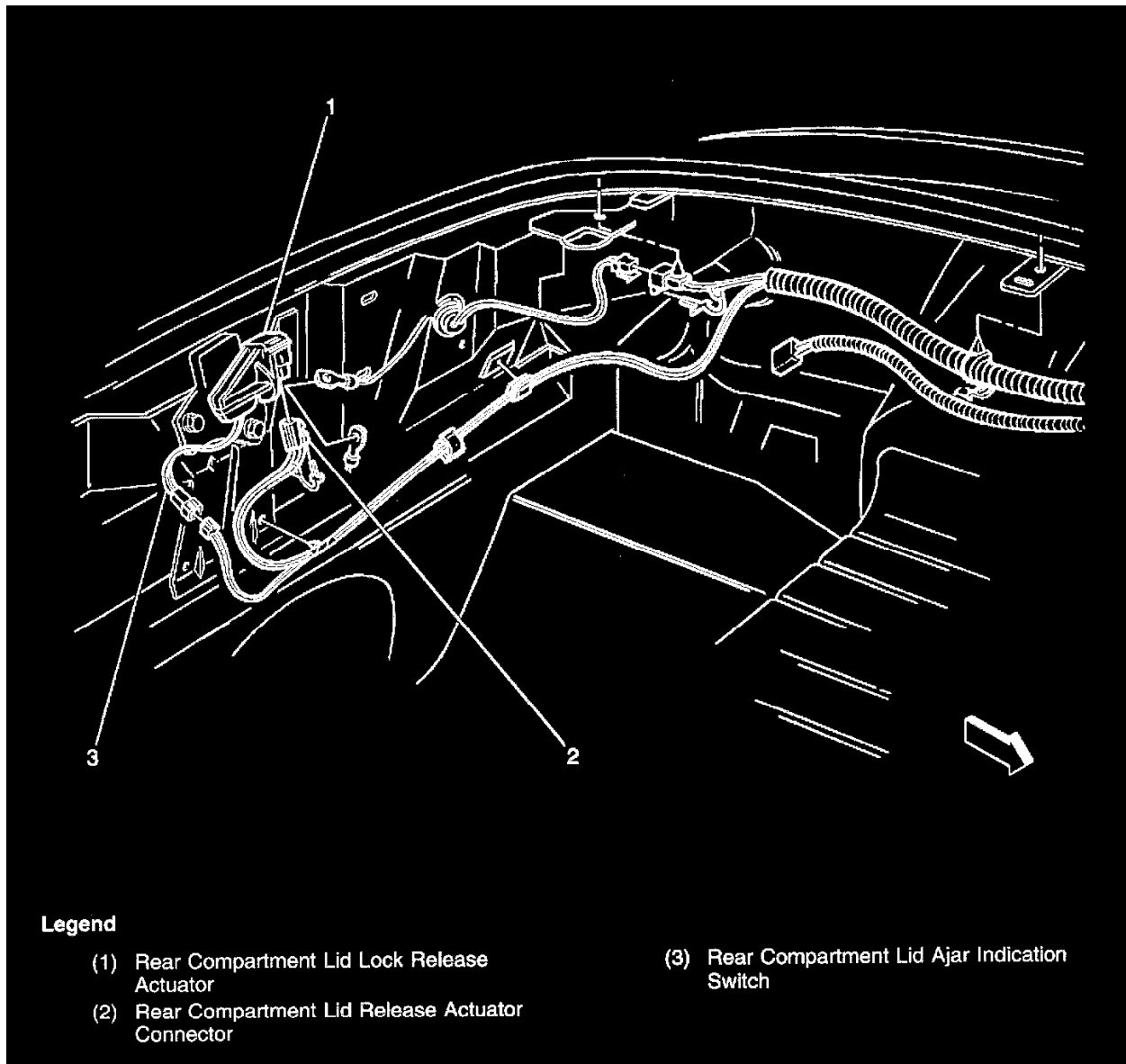
Mounted on the front of the console



**Legend**

- |  |   |
|--|---|
| (1) Brake/Clutch Pedal Bracket                                 | (9) Cruise Control Harness                              |
| (2) Cruise Control Release (Brake) Switch                      | (10) Cruise Control (Clutch) Switch (V6 VIN K)          |
| (3) Cruise Control Harness                                     | (11) Cruise Control Harness                             |
| (4) Stoplamp Switch  | (12) Cruise Control/Clutch Anticipate Switch (V6 VIN K) |
| (5) Stoplamp Switch Connector C2 (Automatic Transmission only) | (13) Clutch Pedal                                       |
| (6) IP Wiring Harness  | (14) Clutch Pedal Position Switch                       |
| (7) Stoplamp Switch Connector C1                               | (15) IP Wiring Harness                                  |
| (8) Brake Pedal  |   |

**Locations View**

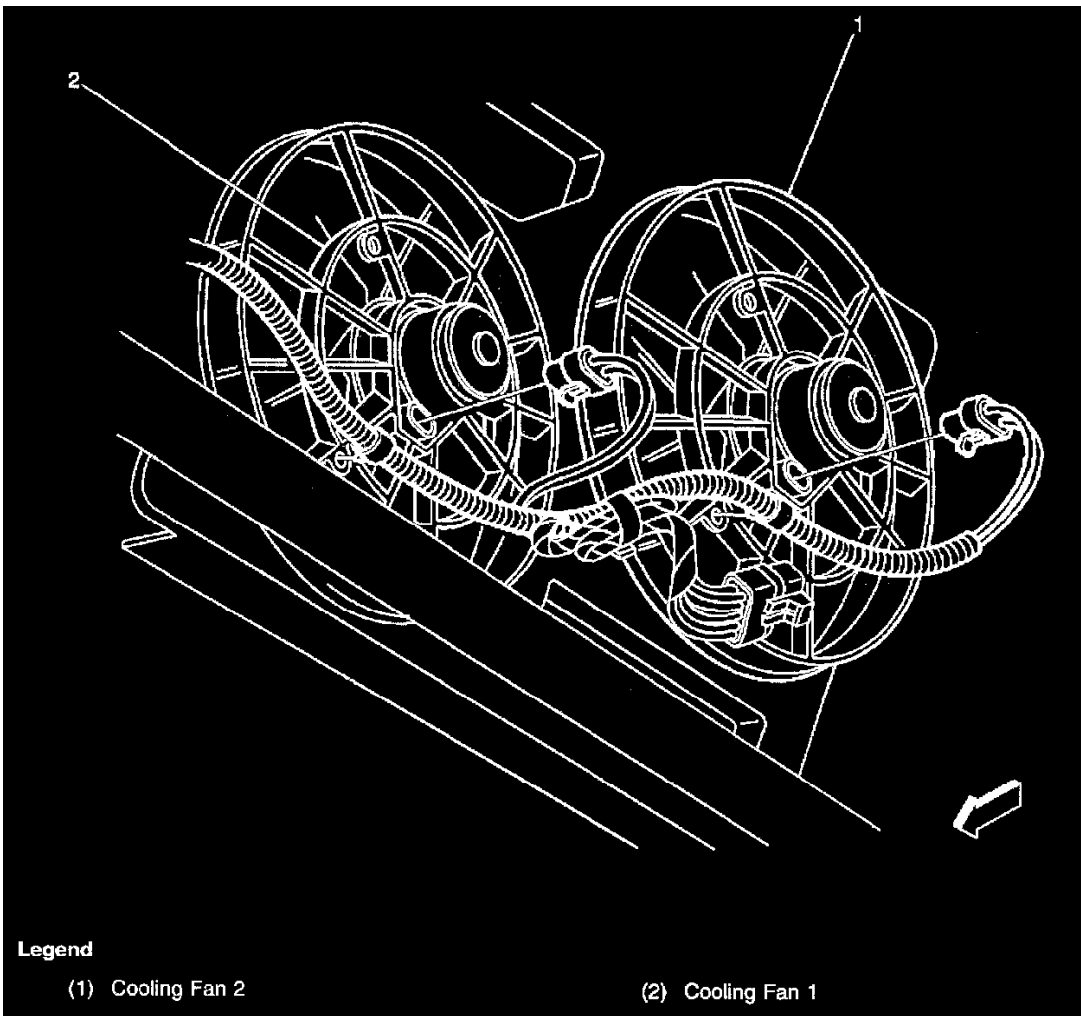


Locations View

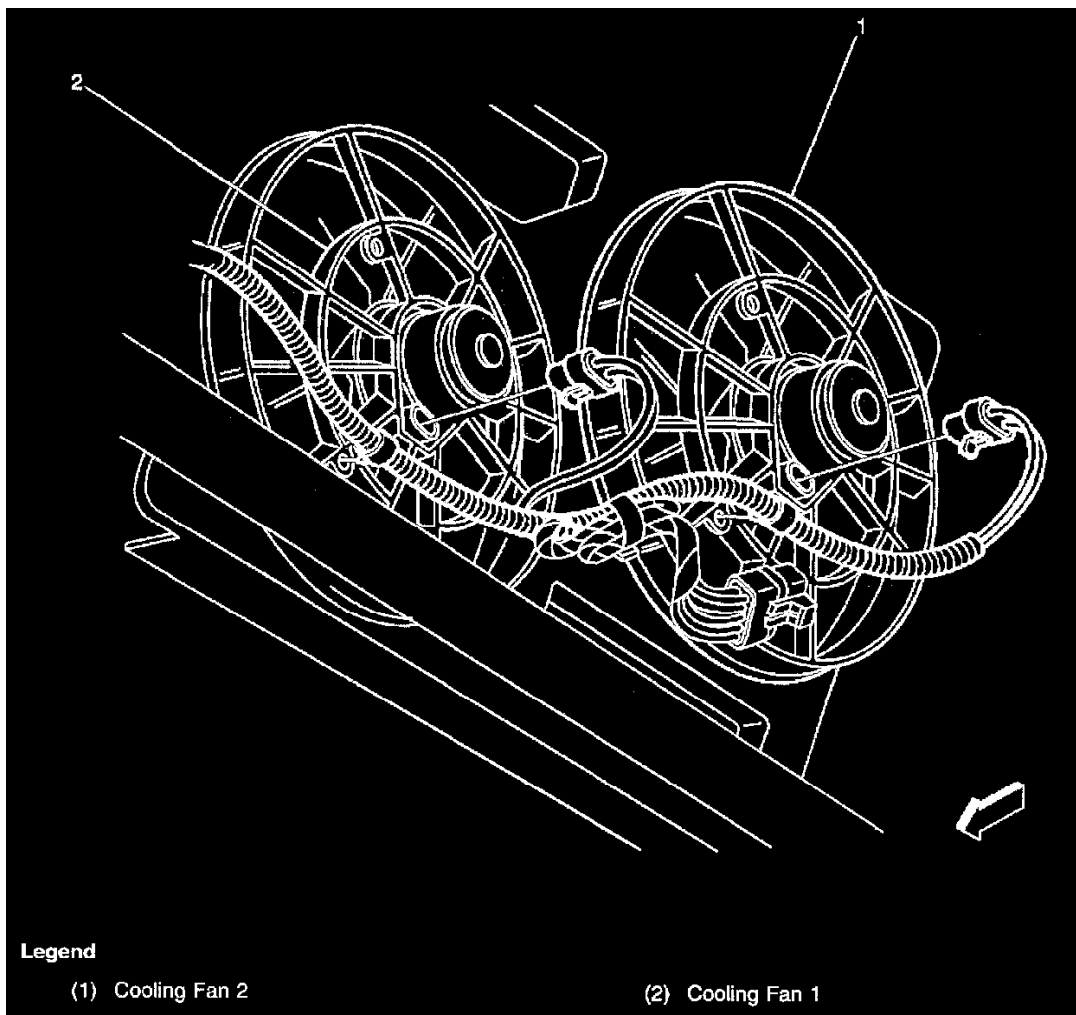
### Compartment Lid Release Actuator, Rear

Under the left side of the IP, near C200

In the center of the end panel, in the cargo compartment



Locations View



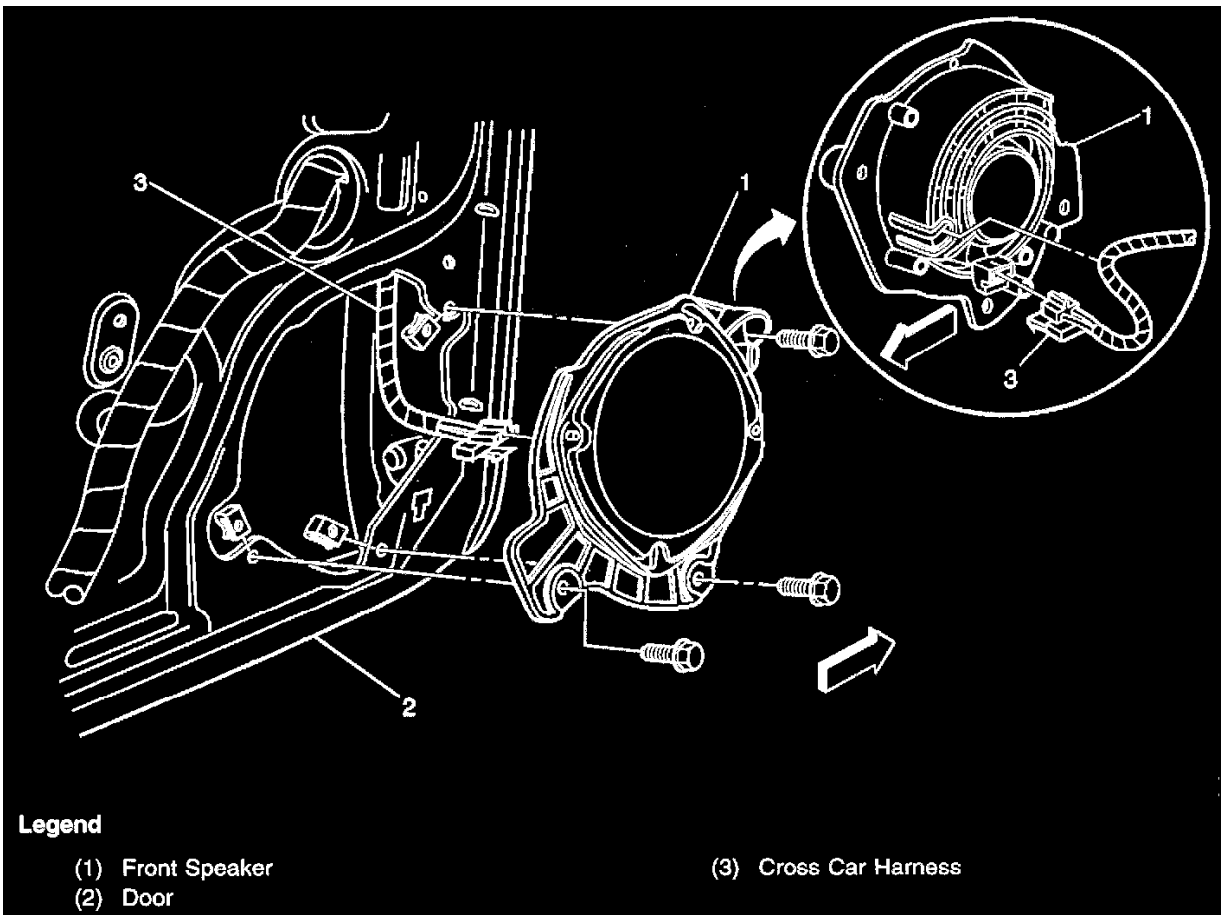
**Legend**

(1) Cooling Fan 2

(2) Cooling Fan 1

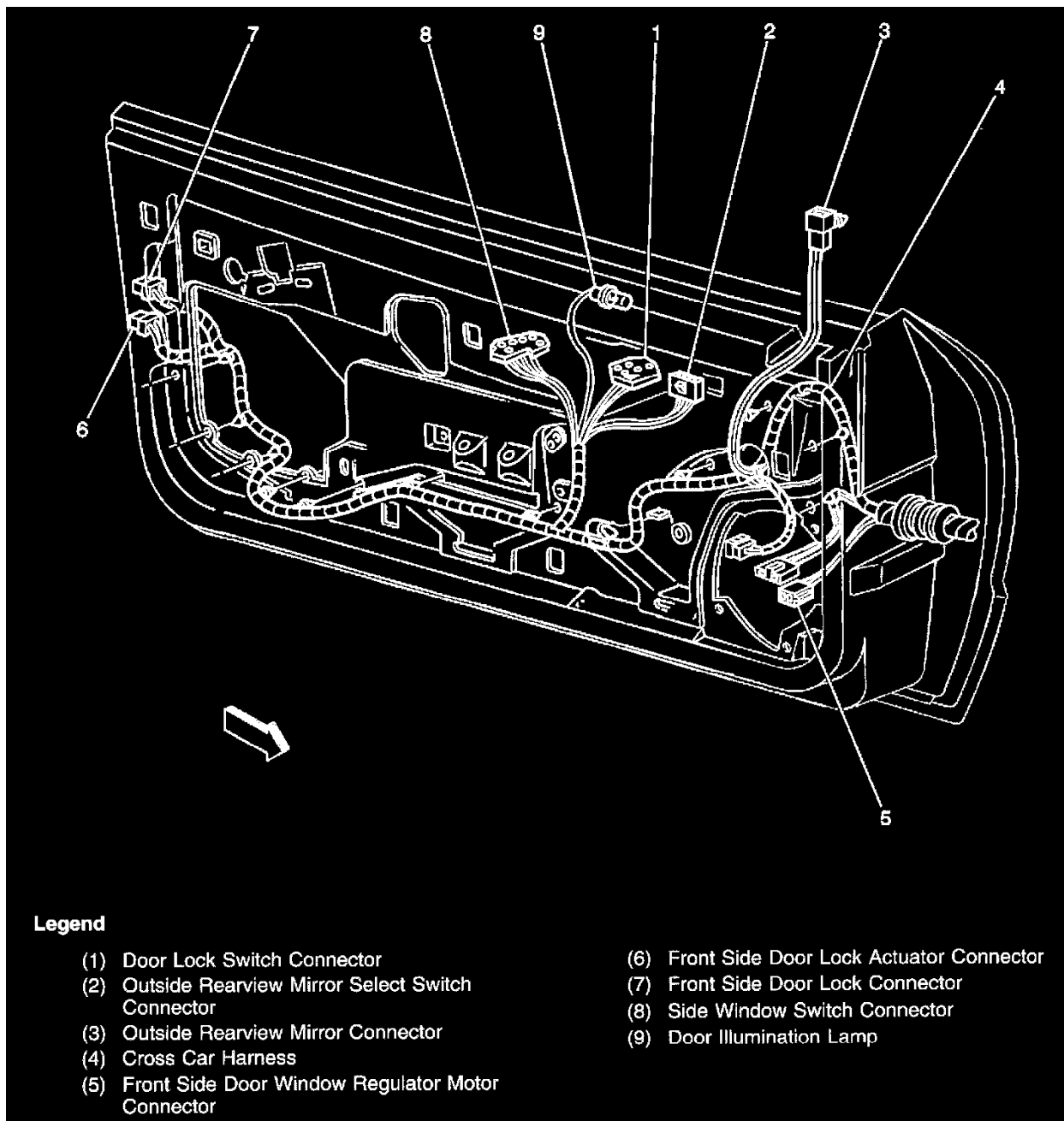
**Locations View**

**Cross Car Harness**

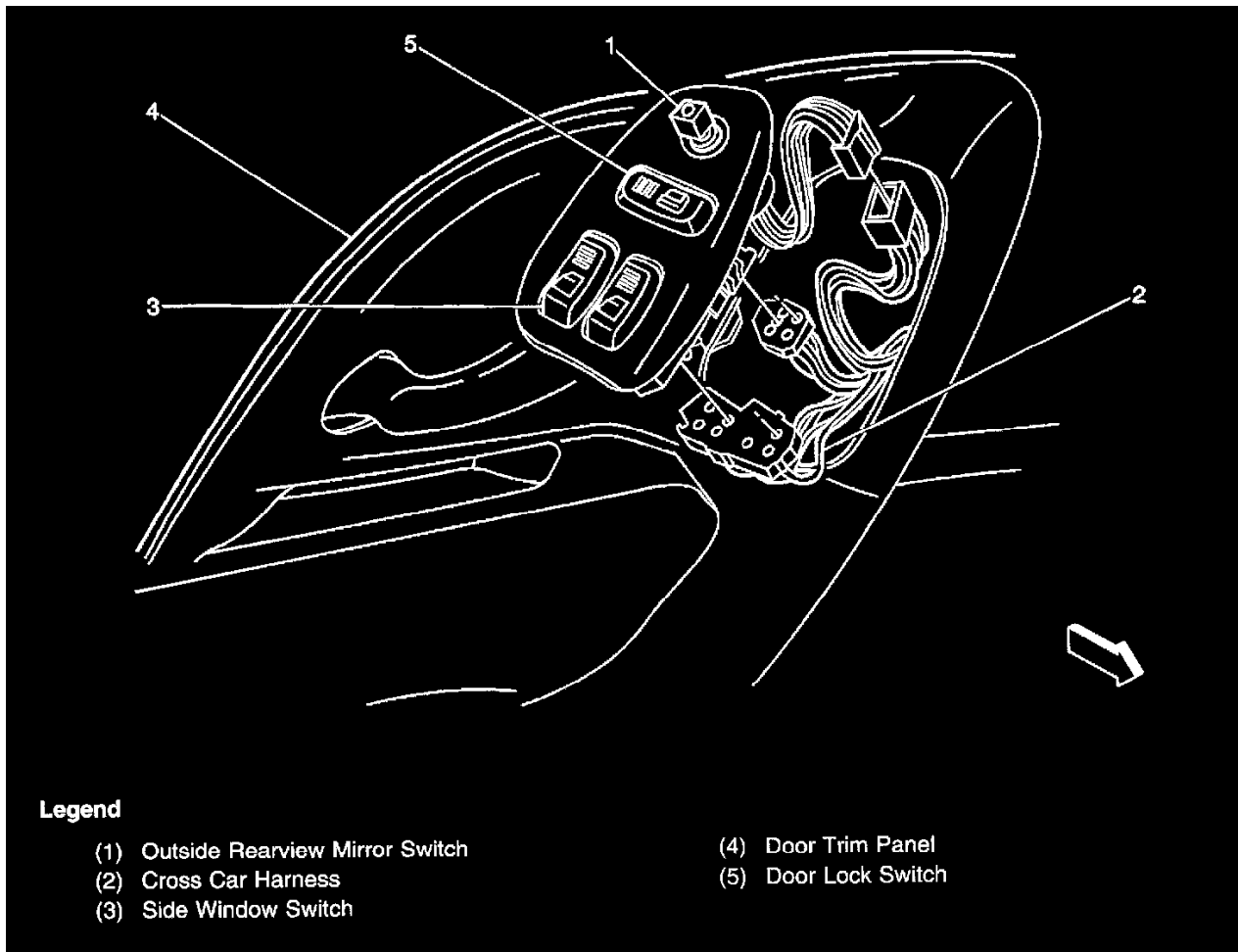


Locations View

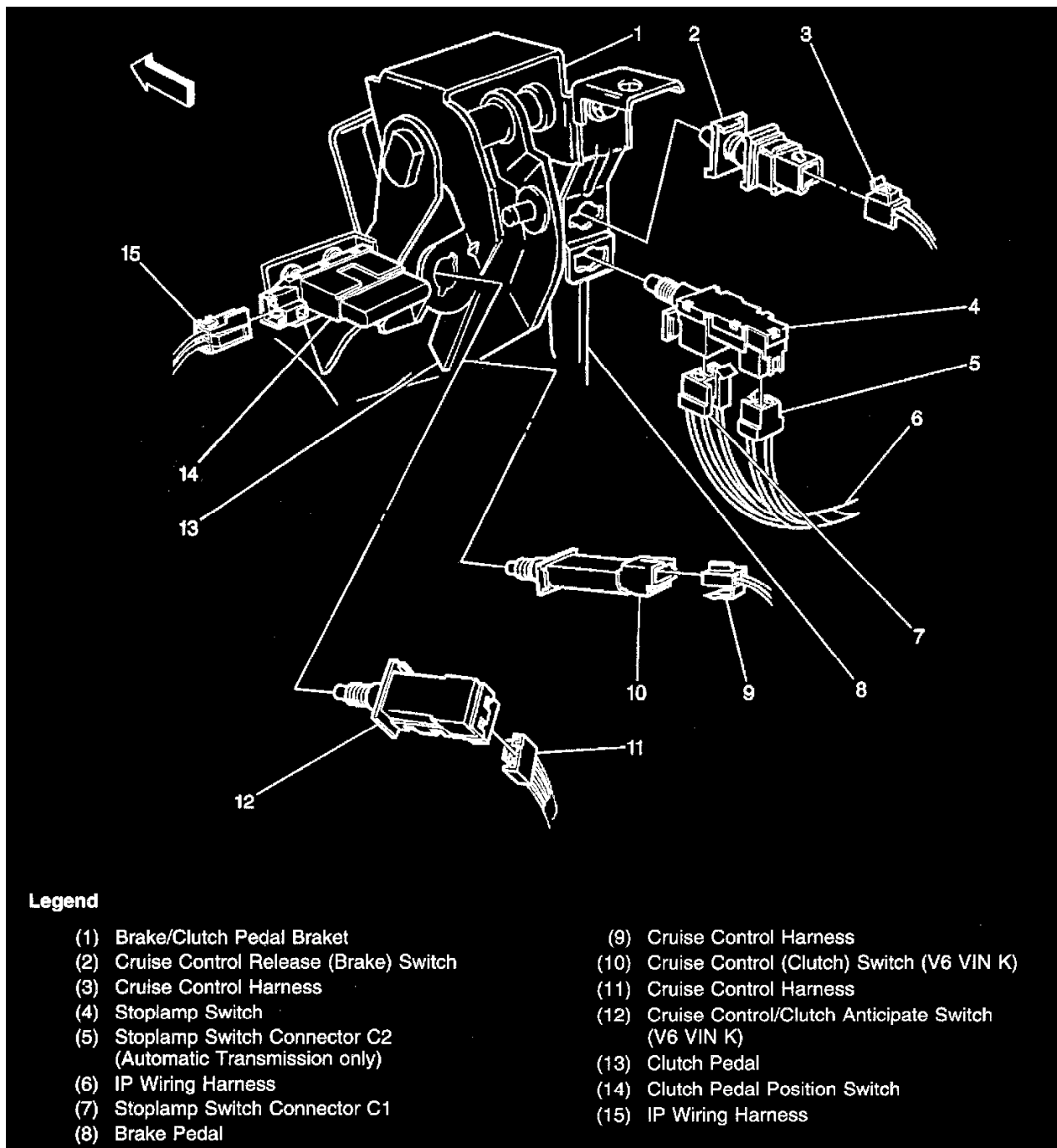




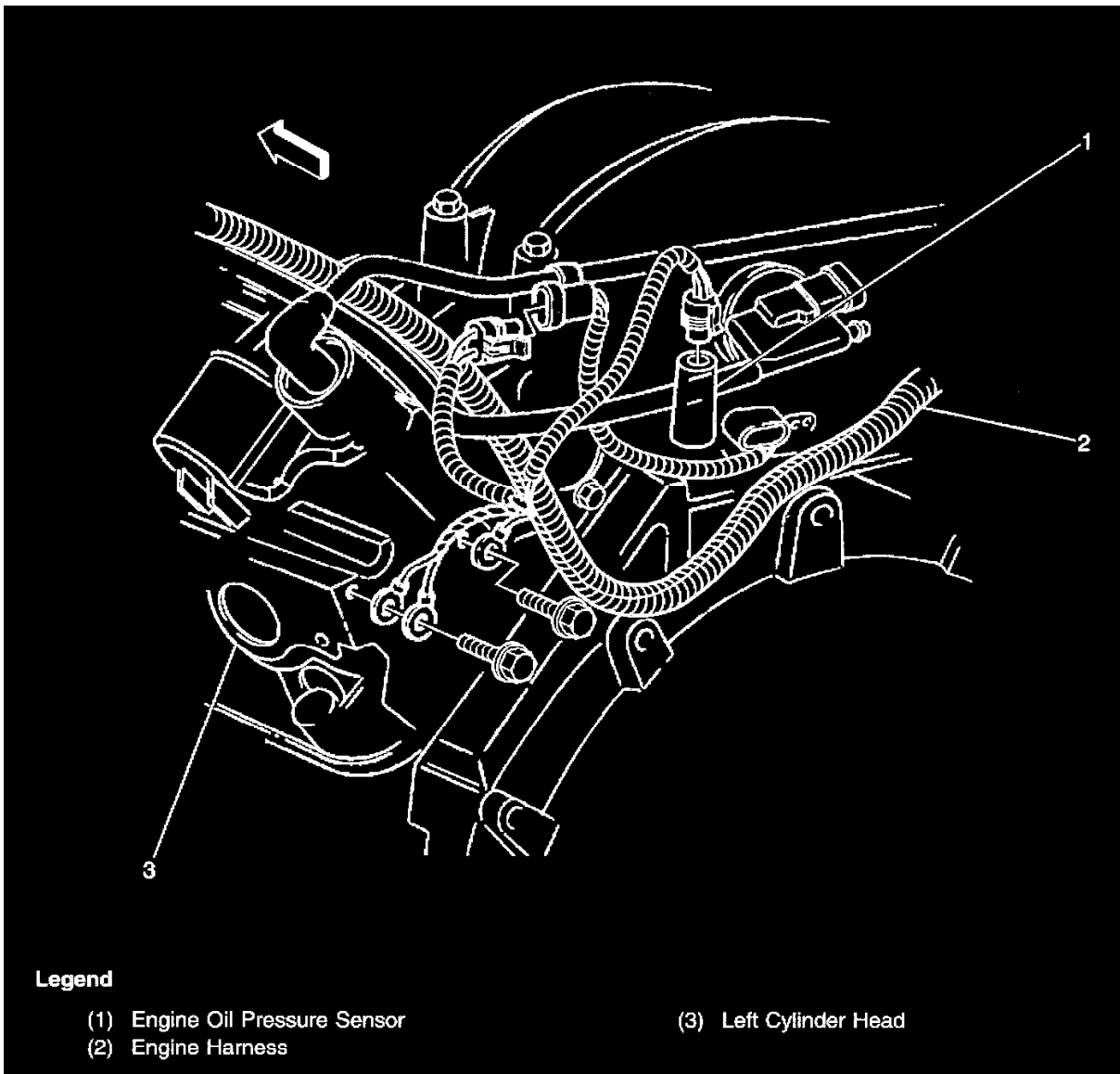
Locations View



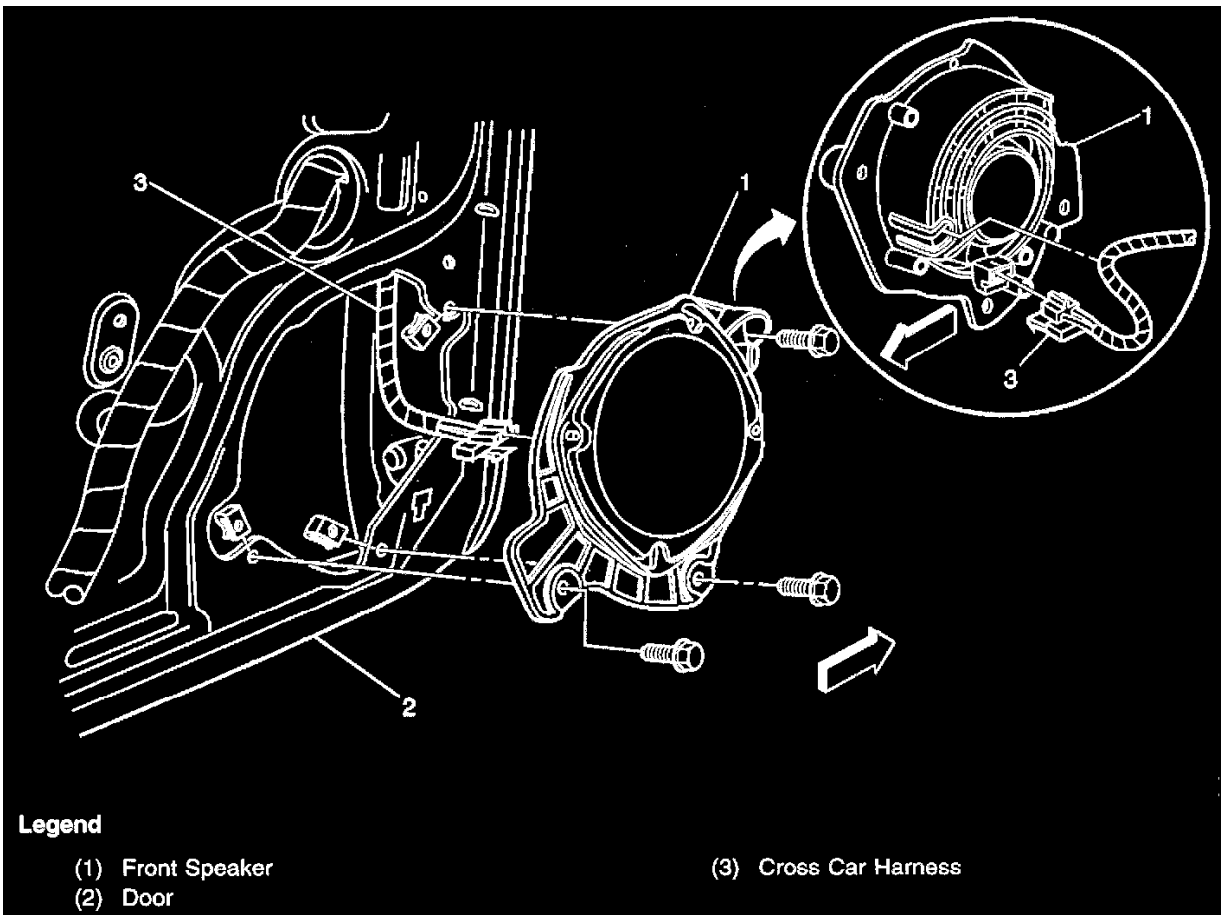
Locations View



Locations View



Locations View



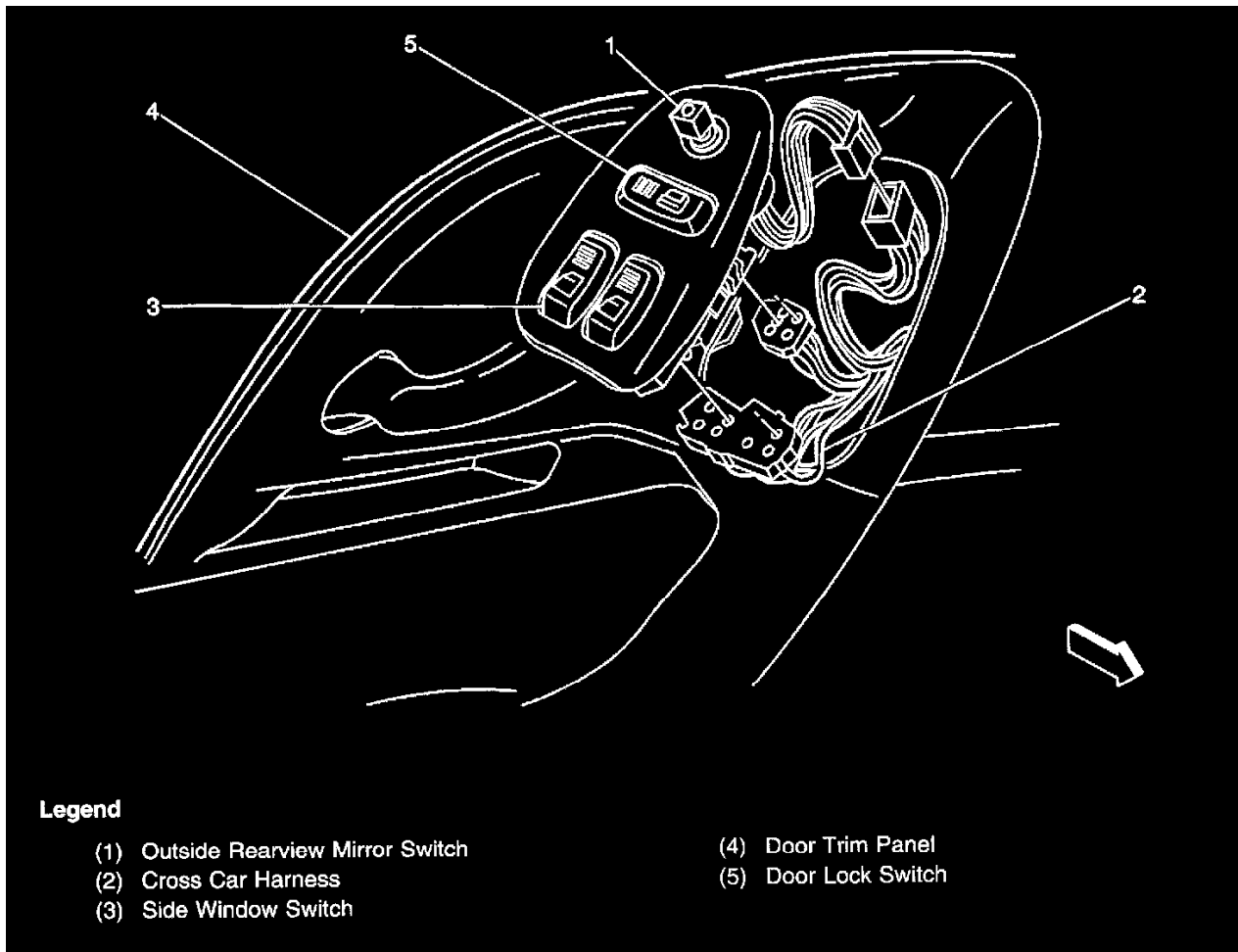
Locations View

**Door Lock Actuator, Front Side**

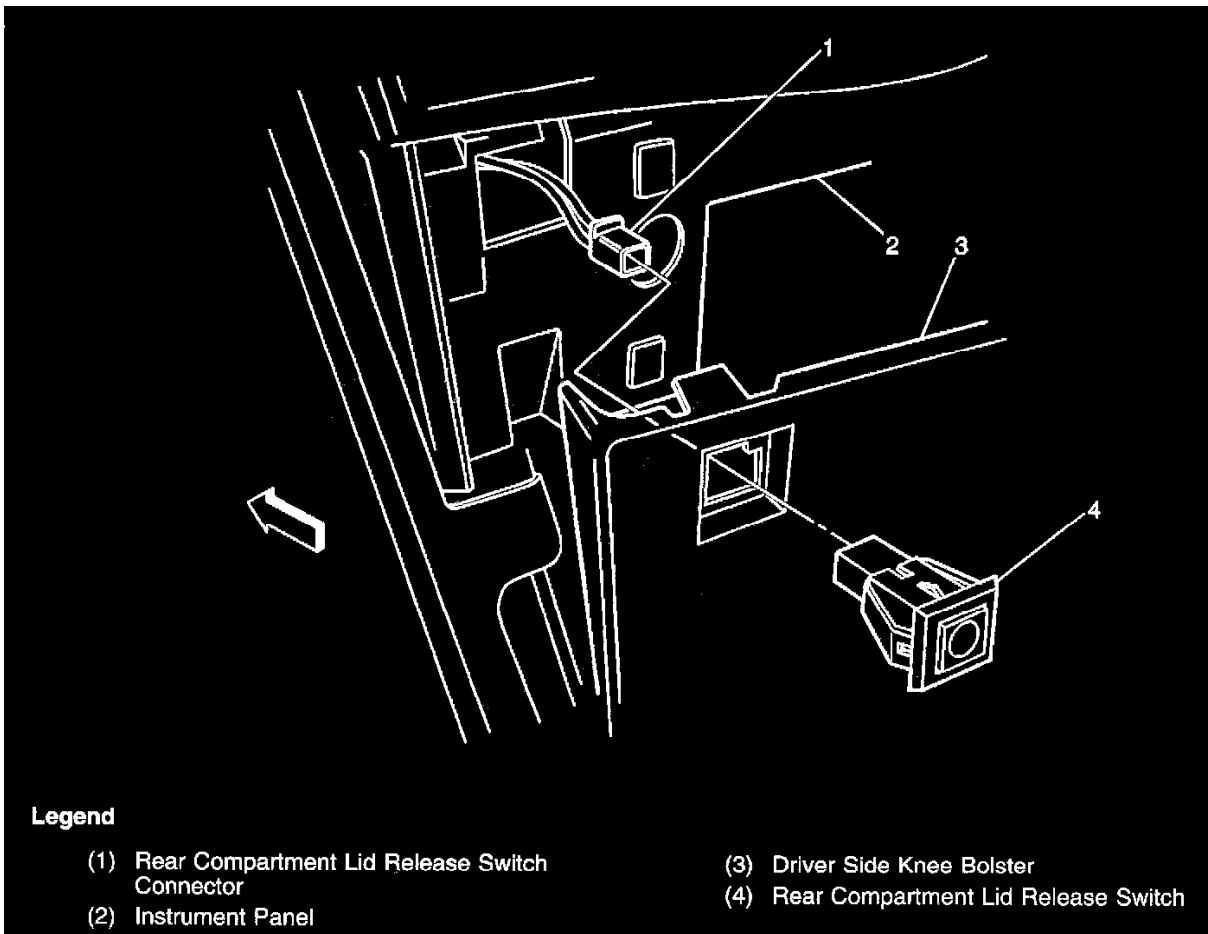
Inside the rear of the door

**Door Lock, Front Side**

Inside the rear of the door



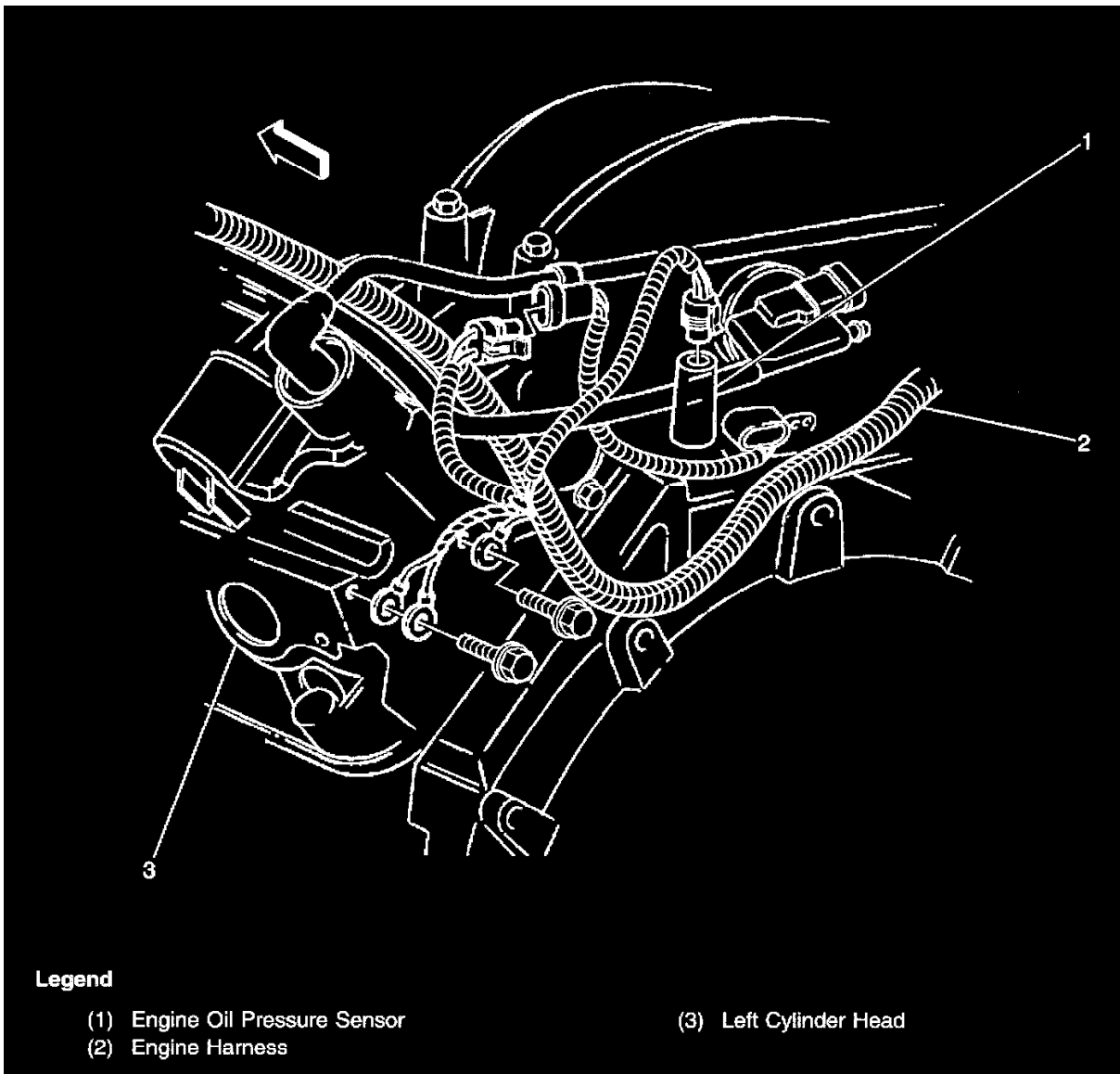
Locations View



Locations View

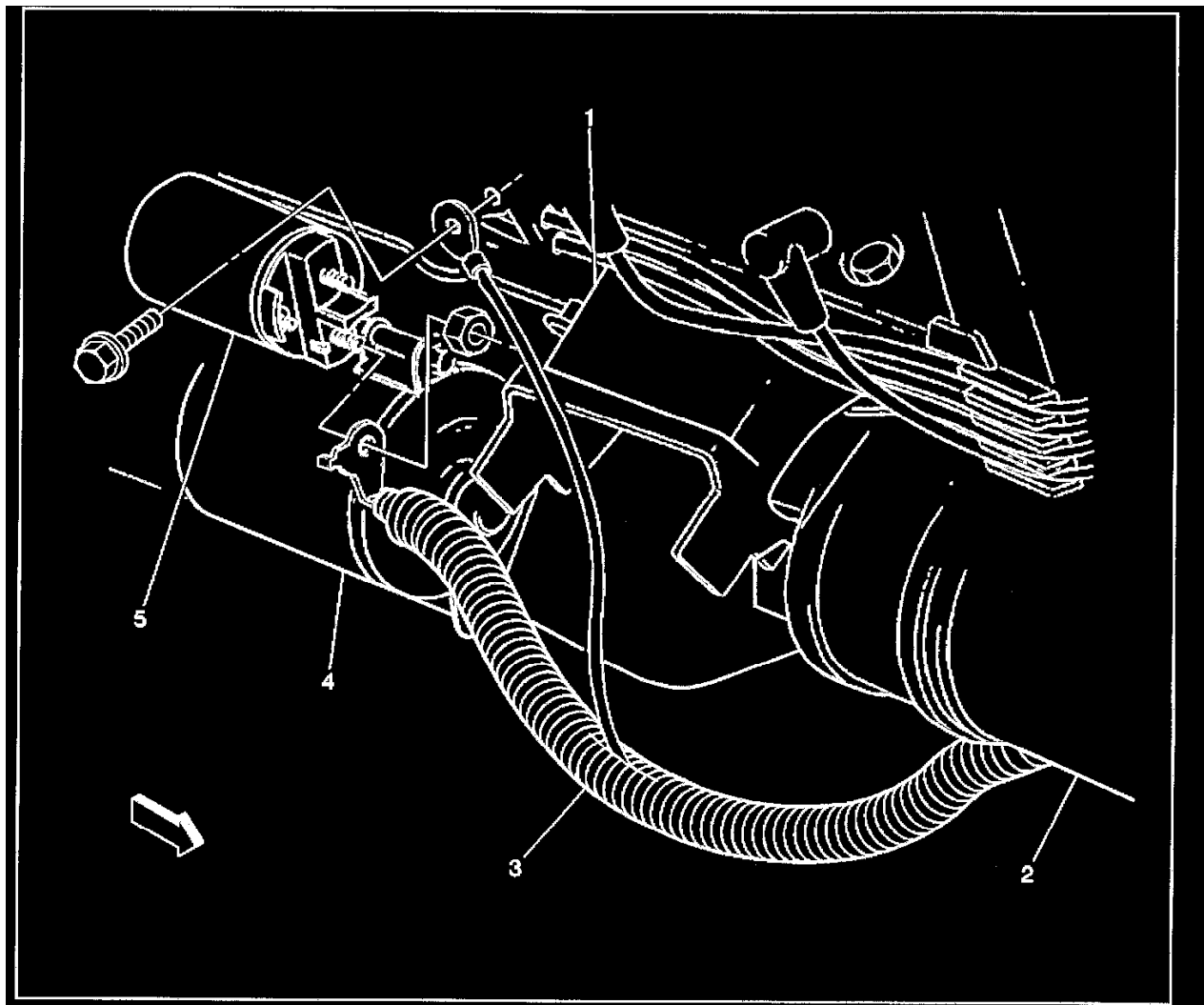
## Engine Cooling Fans

Behind the radiator



Locations View



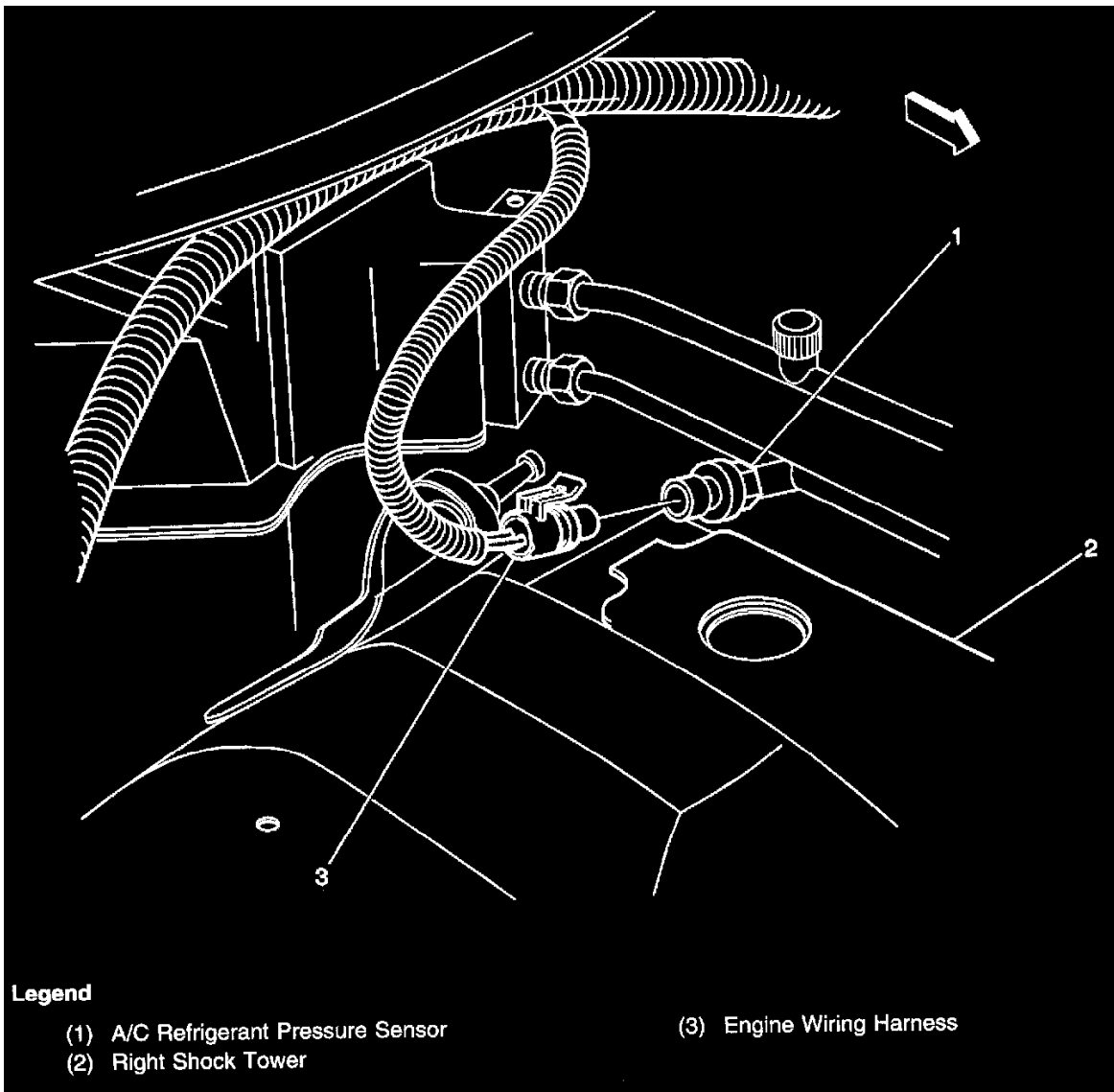


**Legend**

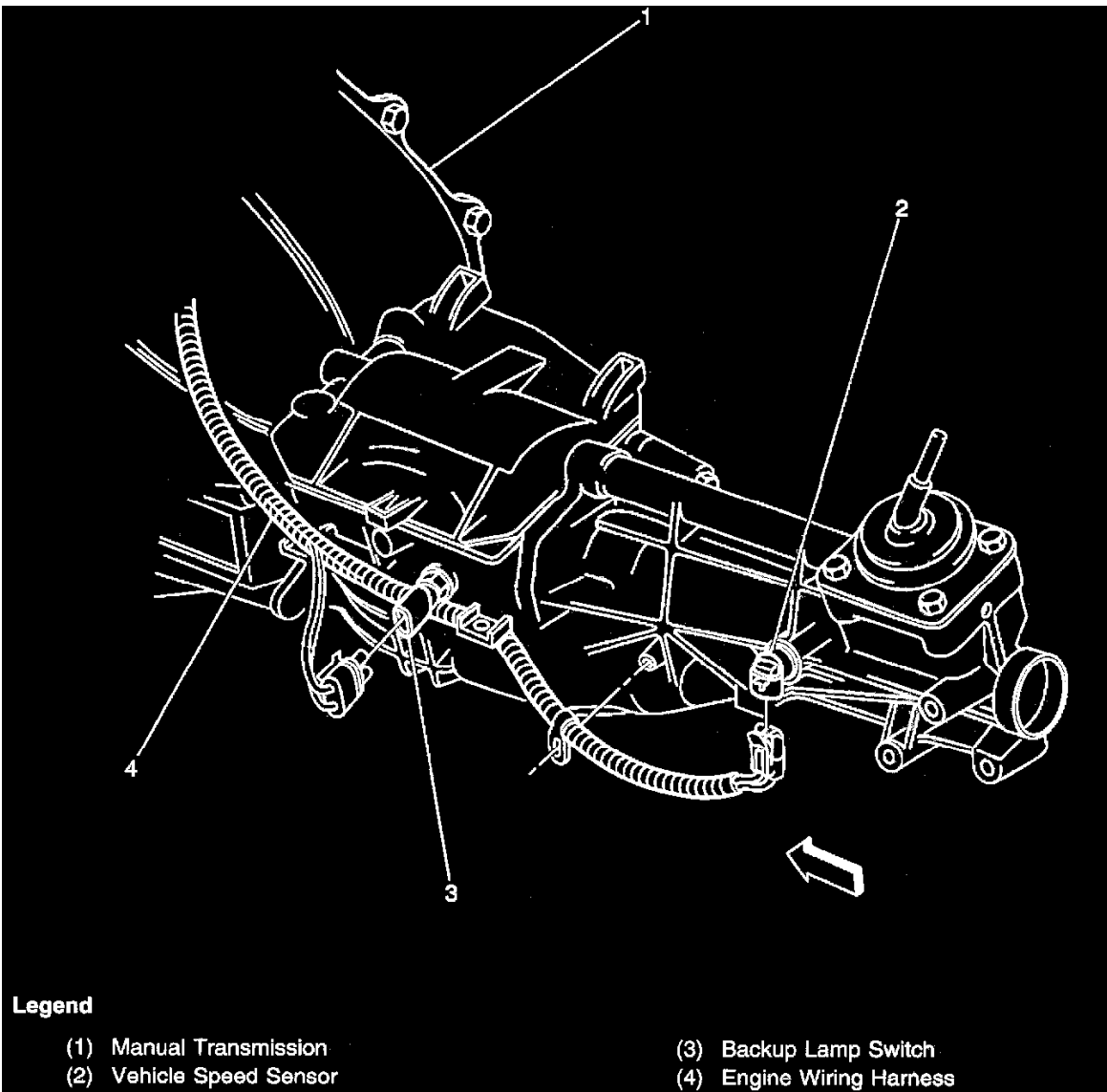
- |                          |                      |
|--------------------------|----------------------|
| (1) Engine Mount Bracket | (4) Starter Motor    |
| (2) A/C Compressor       | (5) Starter Solenoid |
| (3) Battery Cable        |                      |

Locations View - Lower Right Side Of Engine (V8 VIN G)

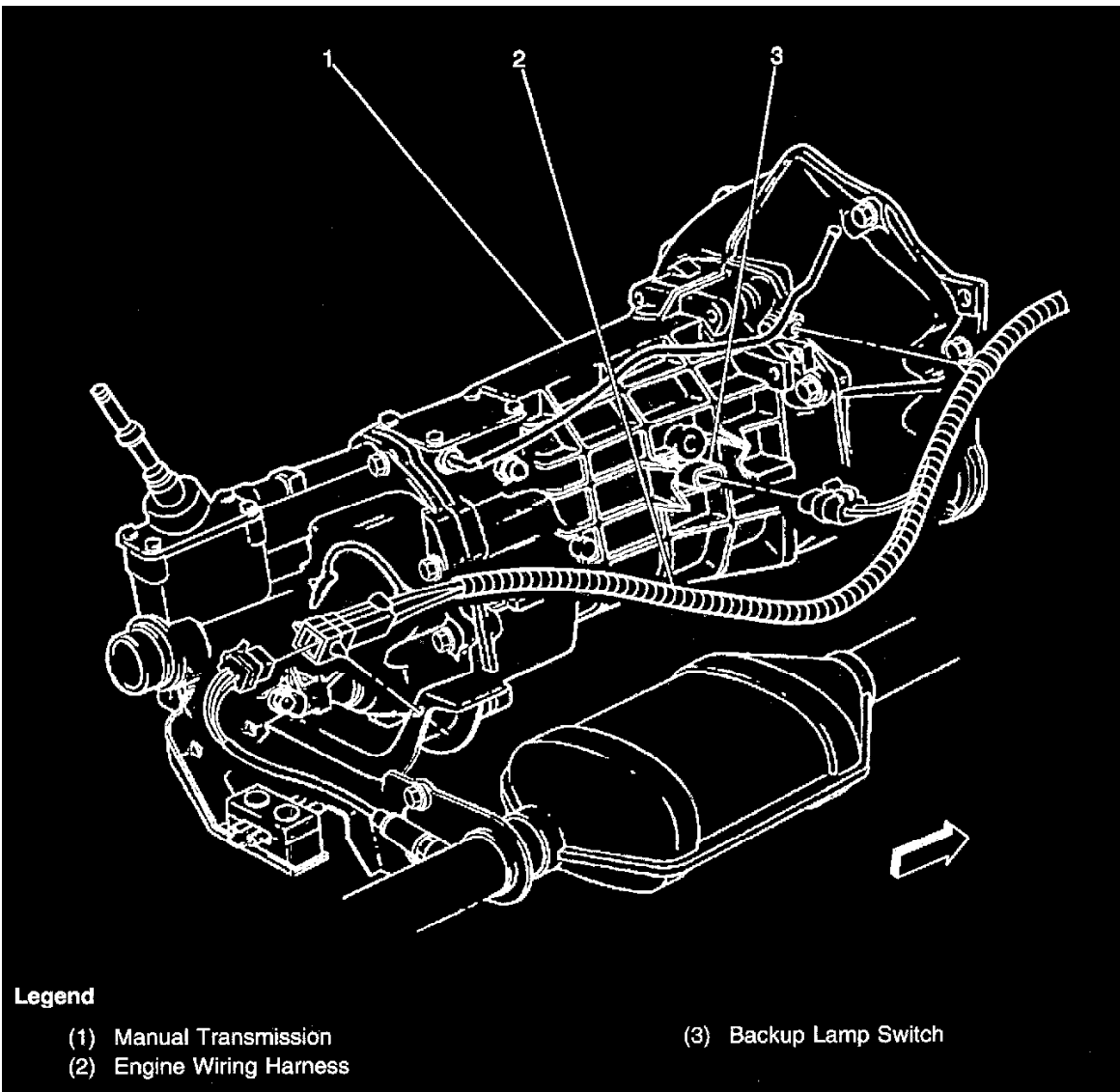
**Engine Wiring Harness**



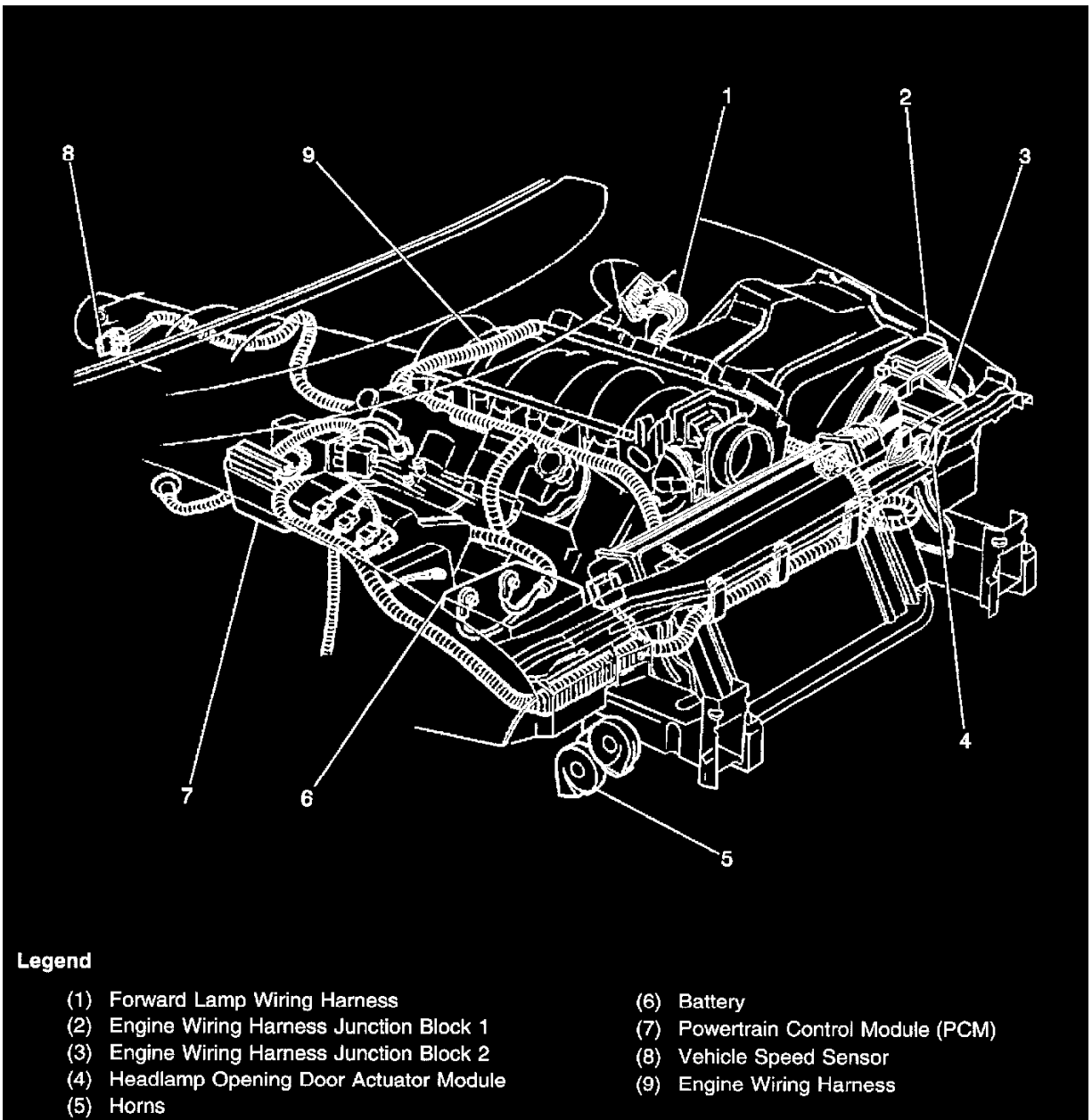
Locations View



Locations View



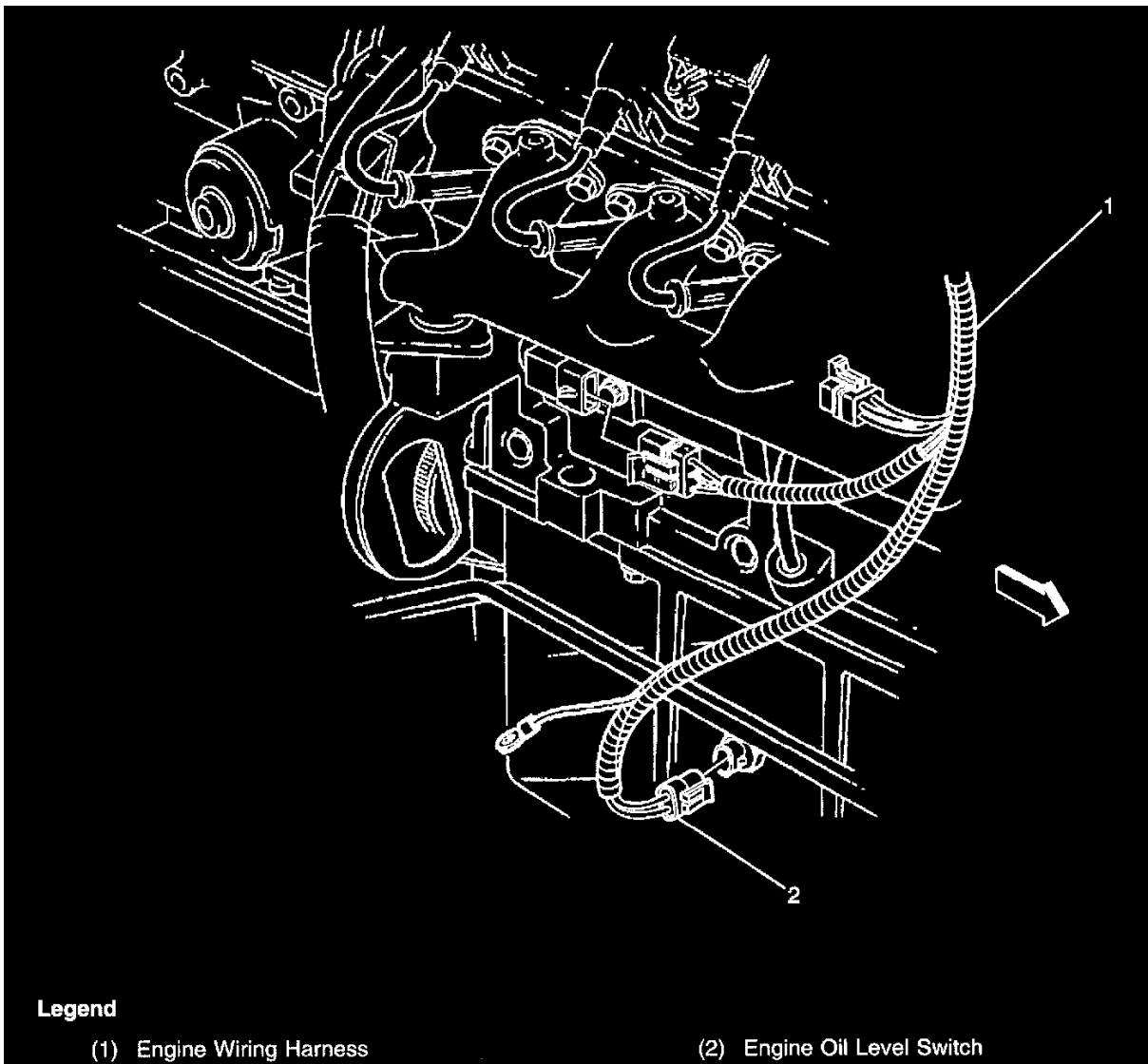
Locations View



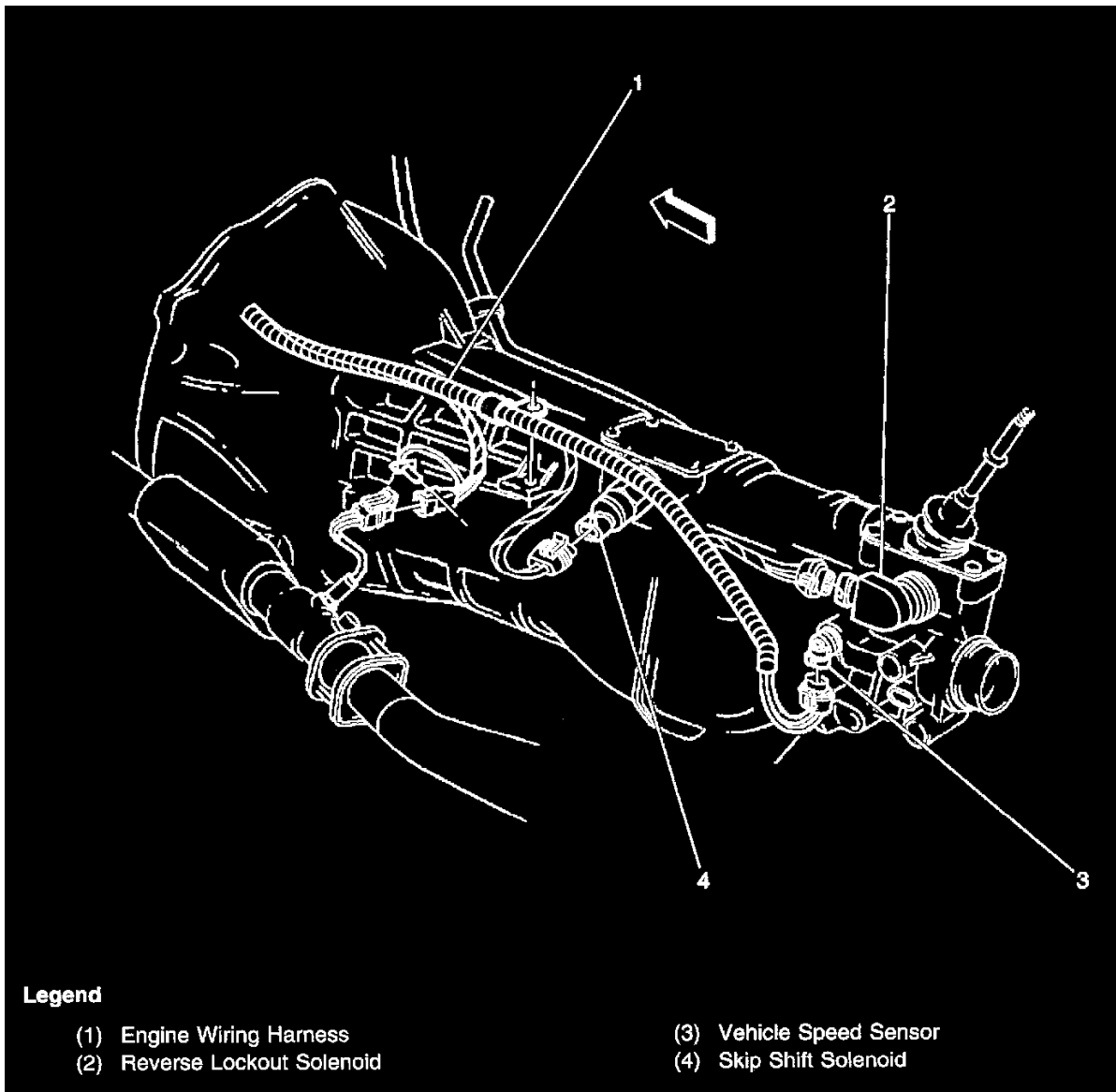
**Legend**

- |  |                                     |
|--|-------------------------------------|
| (1) Forward Lamp Wiring Harness            | (6) Battery                         |
| (2) Engine Wiring Harness Junction Block 1 | (7) Powertrain Control Module (PCM) |
| (3) Engine Wiring Harness Junction Block 2 | (8) Vehicle Speed Sensor            |
| (4) Headlamp Opening Door Actuator Module  | (9) Engine Wiring Harness           |
| (5) Horns                                  |                                     |

**Locations View**

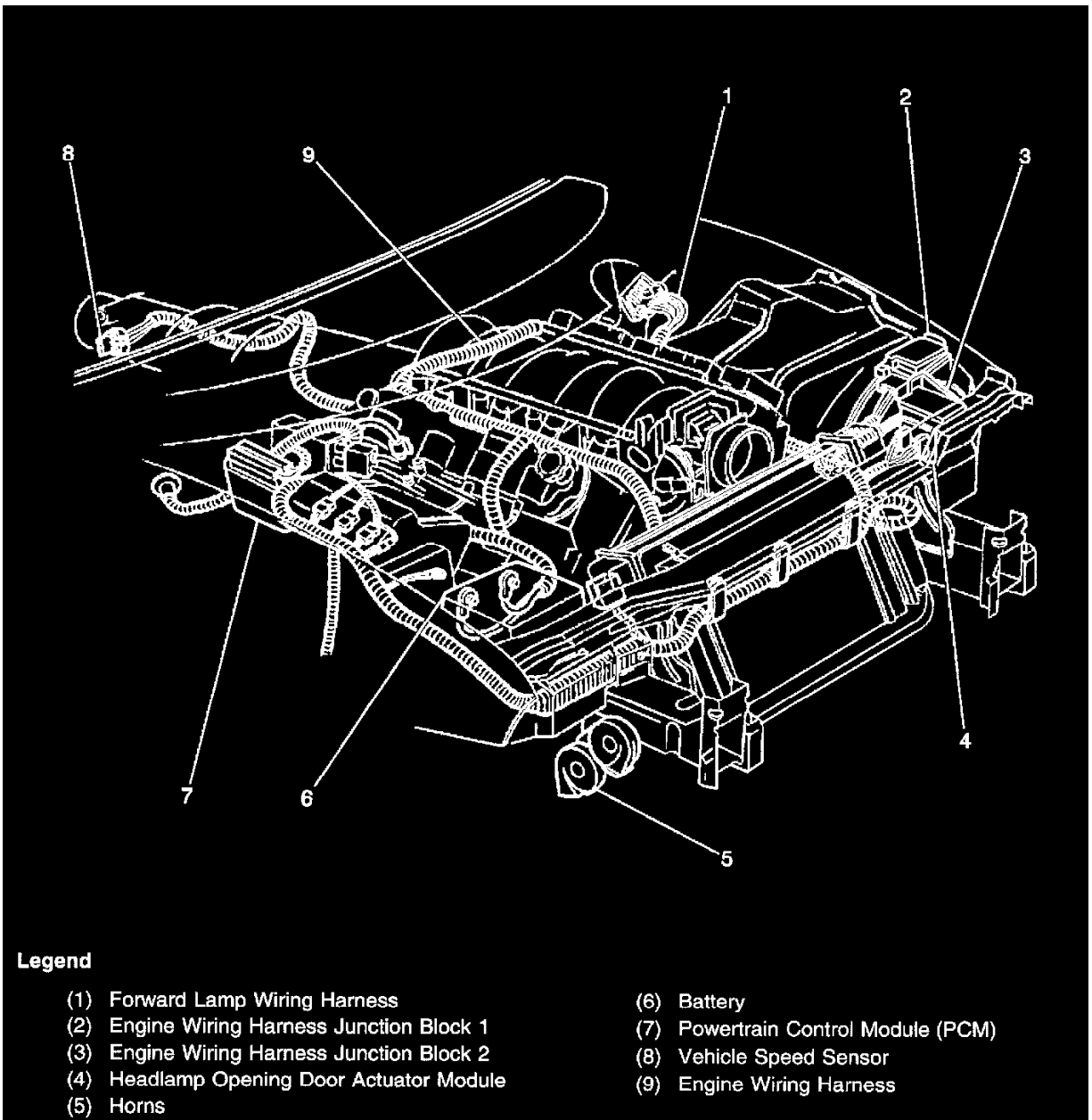


Locations View



Locations View

## Engine Wiring Harness Junction Block 1

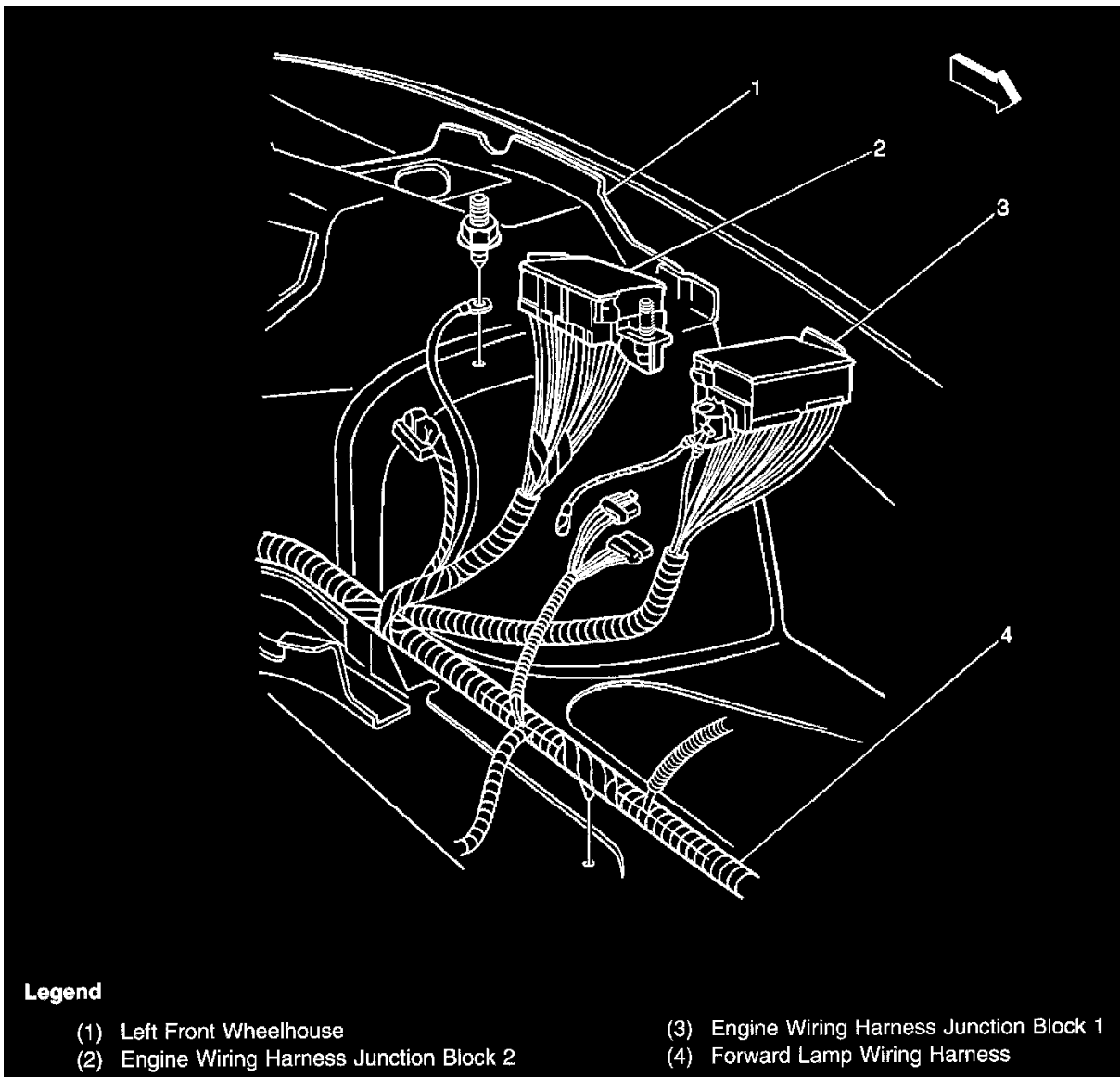


**Legend**

- |  |                                     |
|--|-------------------------------------|
| (1) Forward Lamp Wiring Harness            | (6) Battery                         |
| (2) Engine Wiring Harness Junction Block 1 | (7) Powertrain Control Module (PCM) |
| (3) Engine Wiring Harness Junction Block 2 | (8) Vehicle Speed Sensor            |
| (4) Headlamp Opening Door Actuator Module  | (9) Engine Wiring Harness           |
| (5) Horns                                  |                                     |

**Locations View**

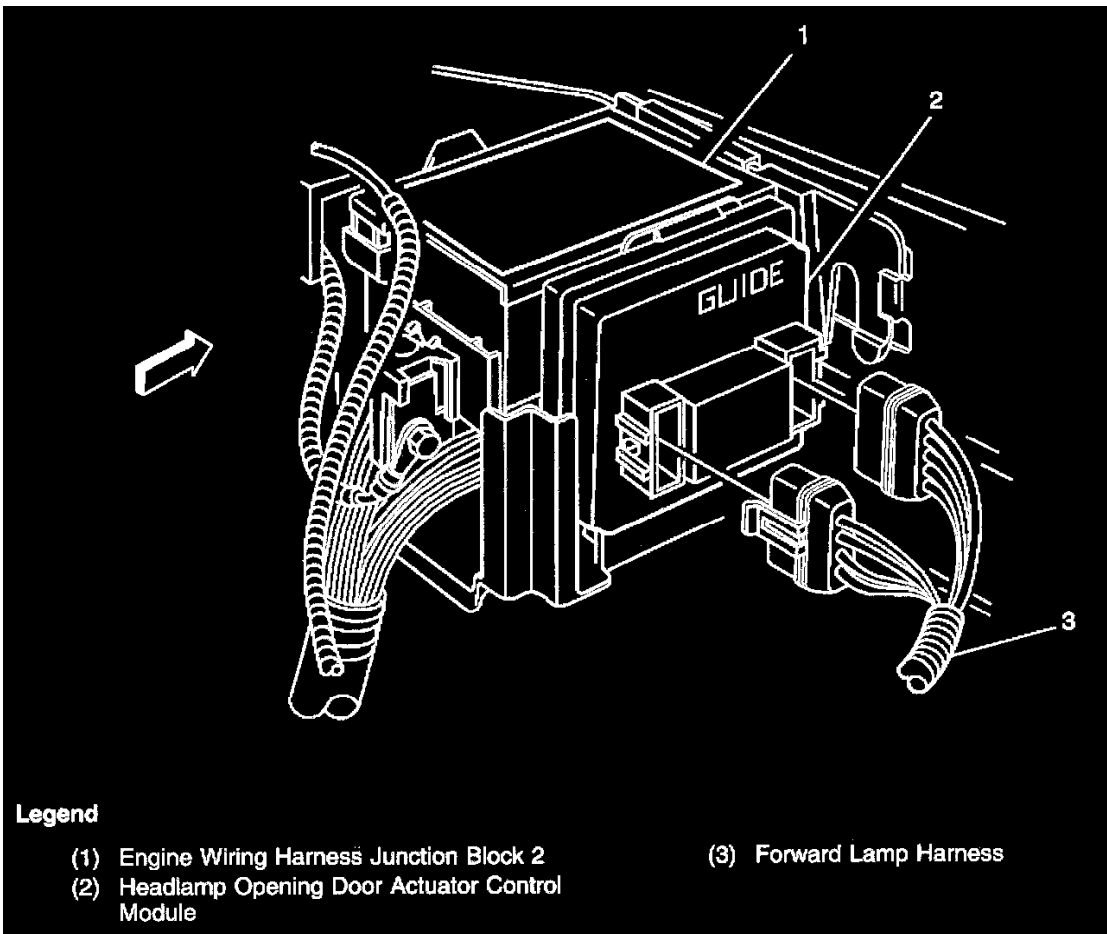




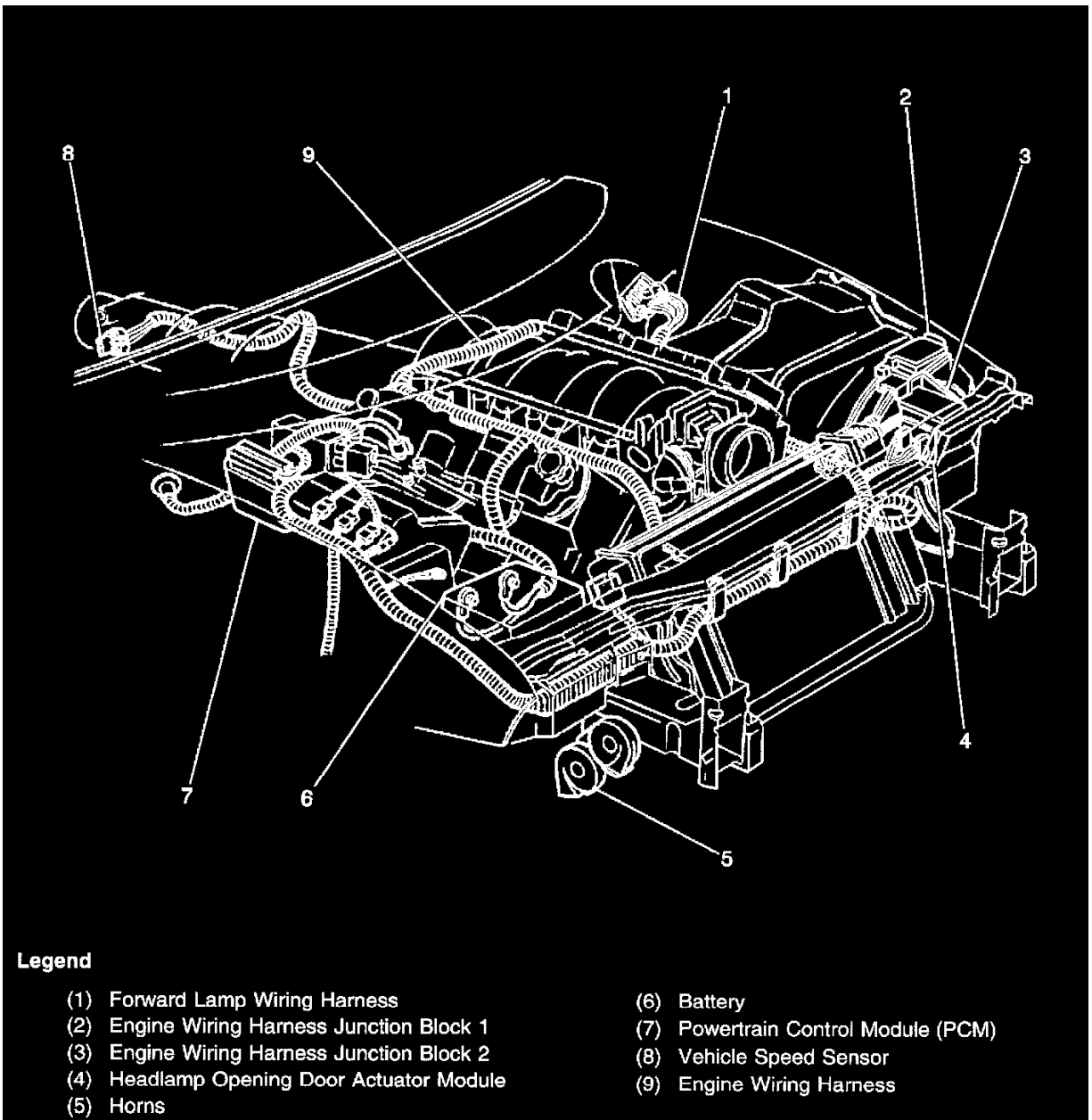
Locations View

In the left front corner of the engine compartment

## Engine Wiring Harness Junction Block 2



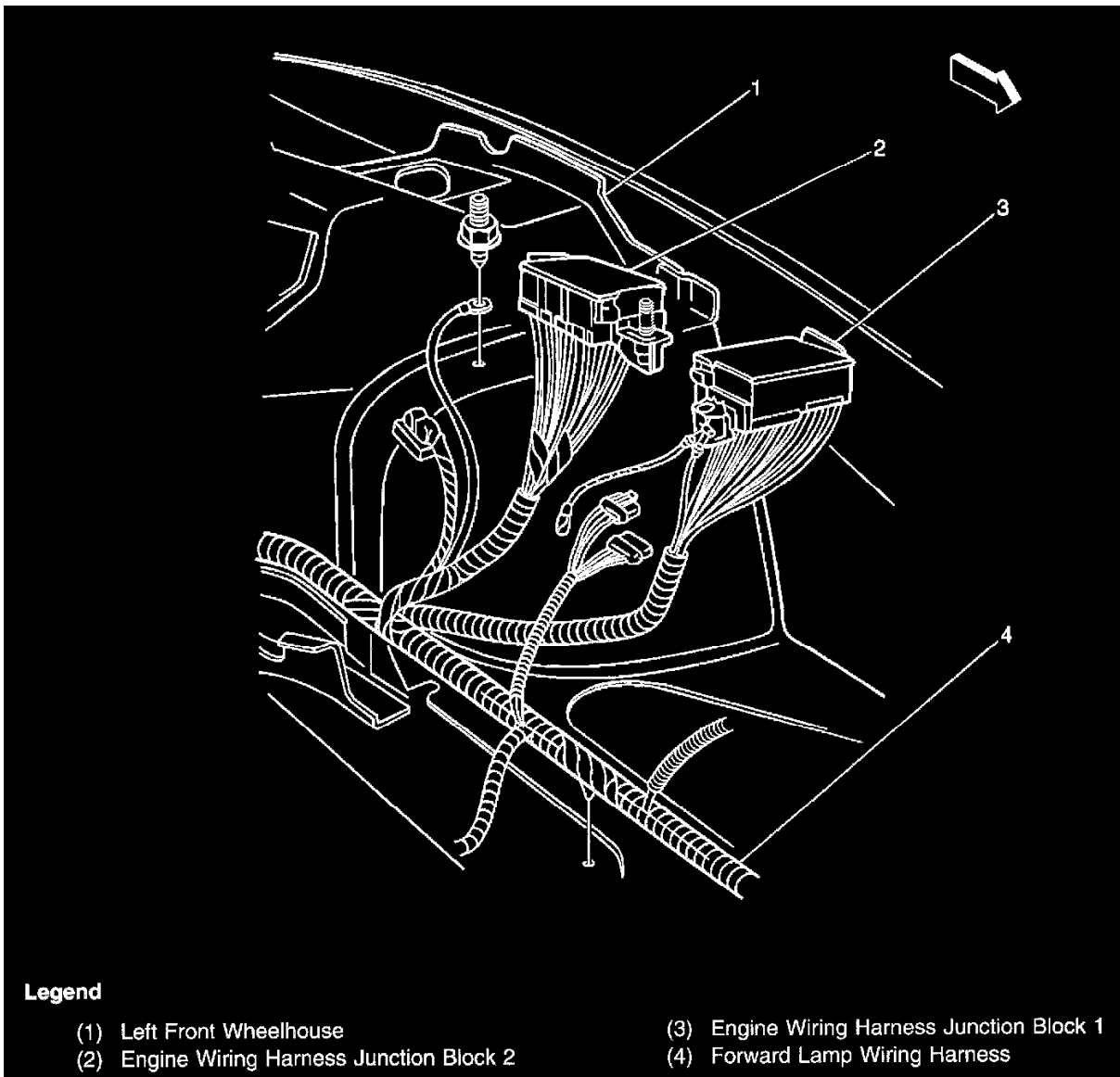
Locations View



**Legend**

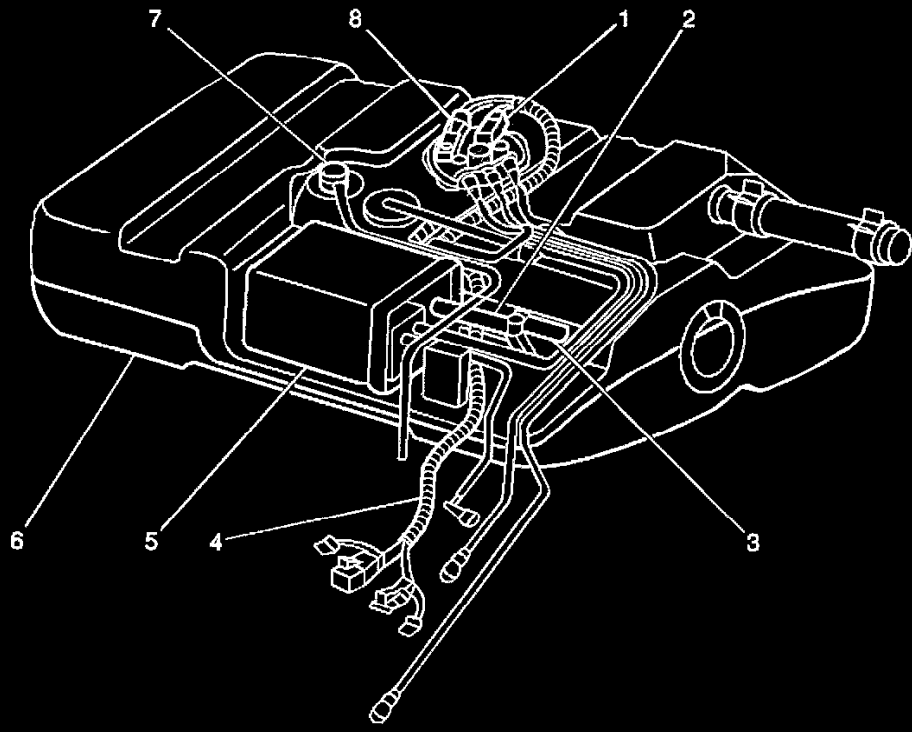
- |  |                                     |
|--|-------------------------------------|
| (1) Forward Lamp Wiring Harness            | (6) Battery                         |
| (2) Engine Wiring Harness Junction Block 1 | (7) Powertrain Control Module (PCM) |
| (3) Engine Wiring Harness Junction Block 2 | (8) Vehicle Speed Sensor            |
| (4) Headlamp Opening Door Actuator Module  | (9) Engine Wiring Harness           |
| (5) Horns                                  |                                     |

**Locations View**



**Locations View**

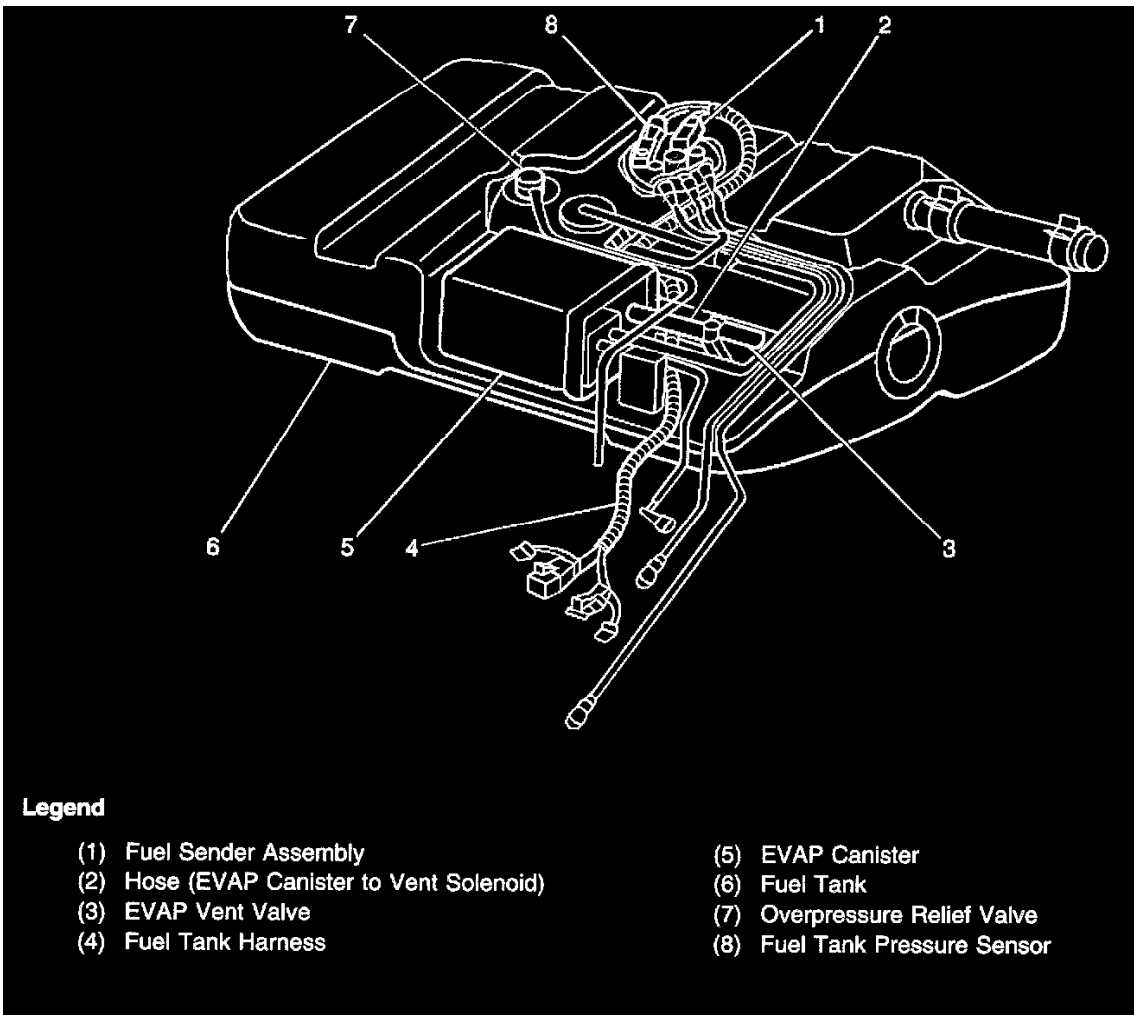
In the left front corner of the engine compartment



**Legend**

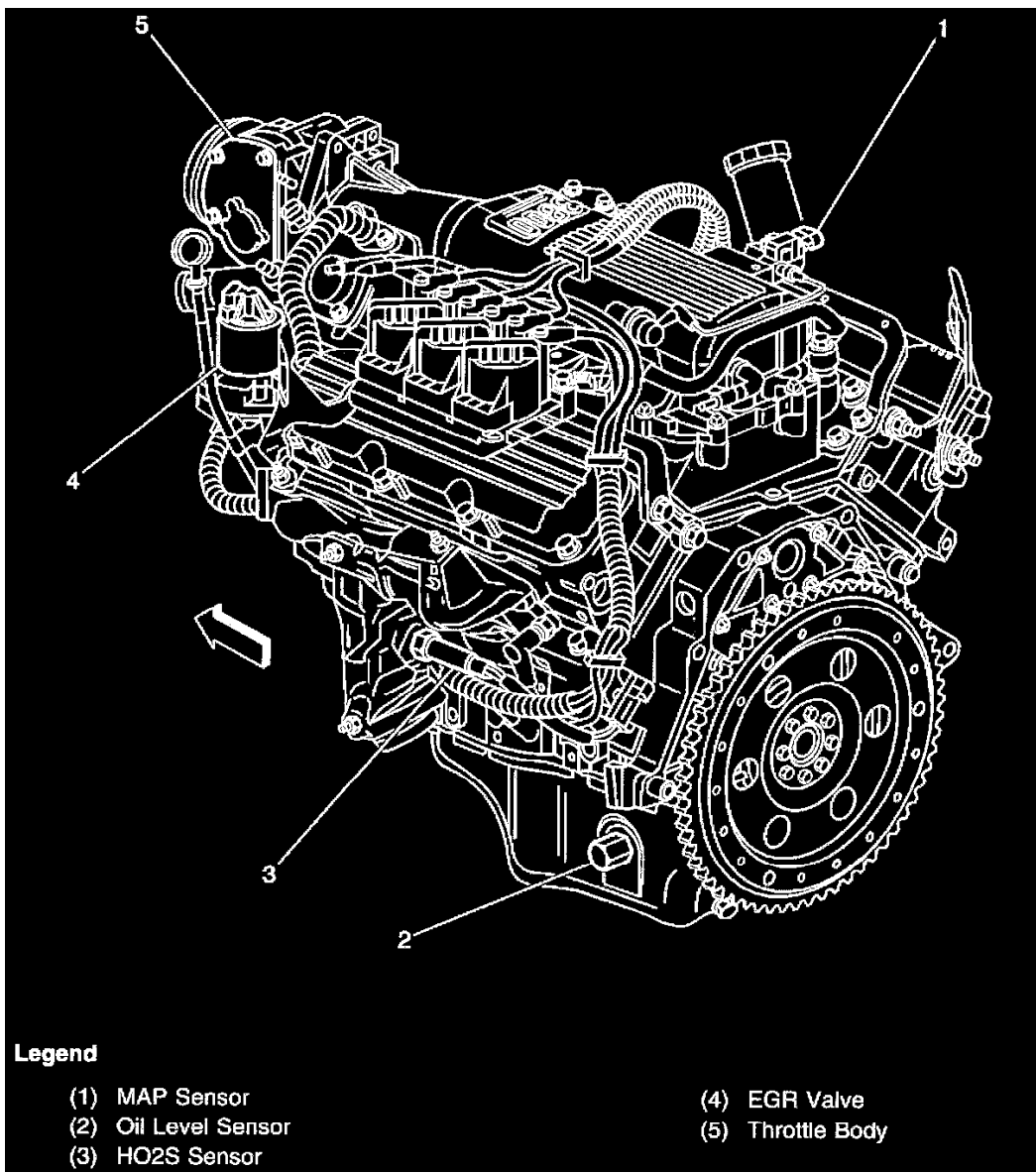
- |   |                               |
|---|-------------------------------|
| (1) Fuel Sender Assembly                  | (5) EVAP Canister             |
| (2) Hose (EVAP Canister to Vent Solenoid) | (6) Fuel Tank                 |
| (3) EVAP Vent Valve                       | (7) Overpressure Relief Valve |
| (4) Fuel Tank Harness                     | (8) Fuel Tank Pressure Sensor |

**Locations View**



Locations View

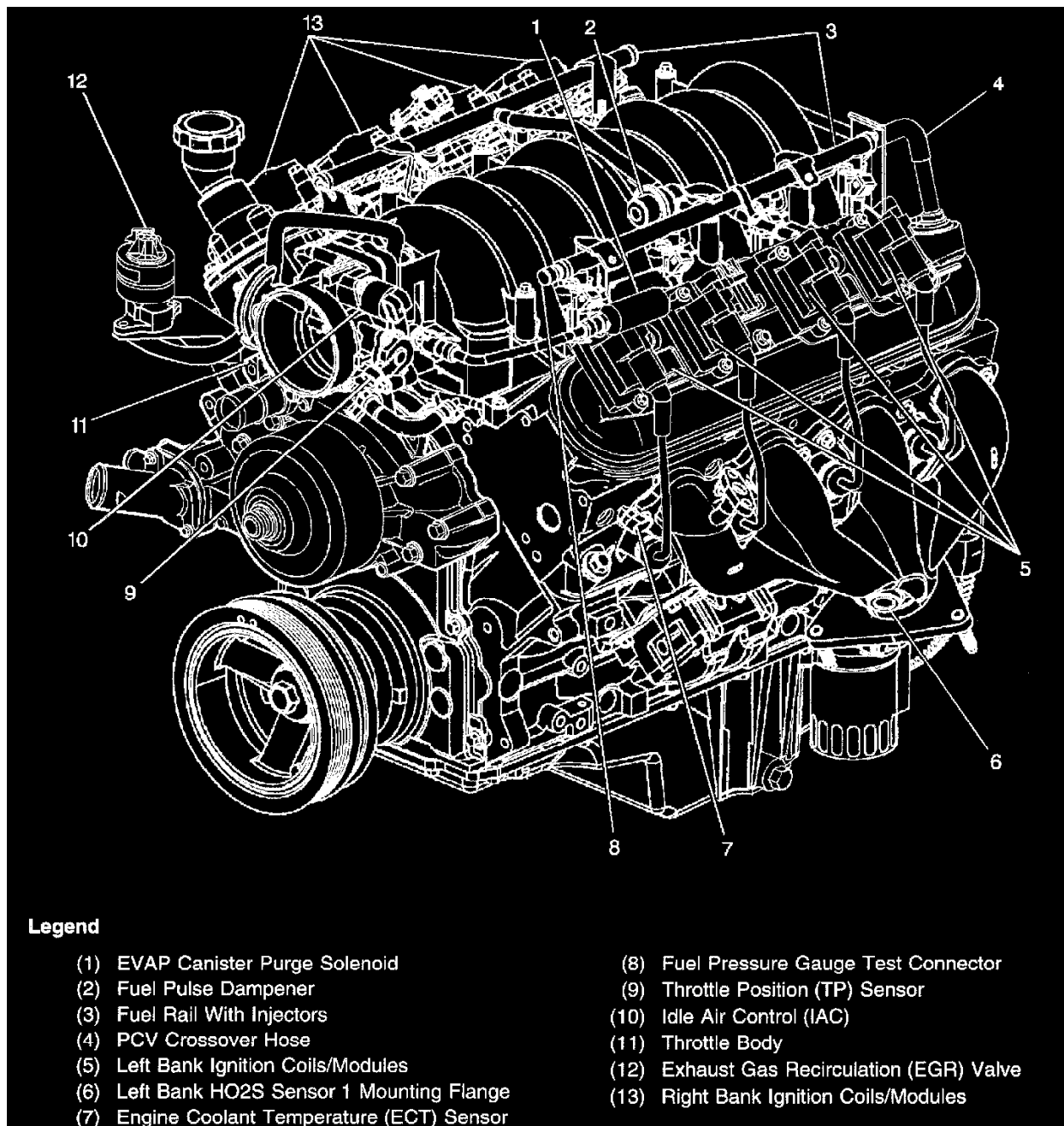
## Exhaust Gas Recirculation (EGR) Valve



**Legend**

- |                      |                   |
|----------------------|-------------------|
| (1) MAP Sensor       | (4) EGR Valve     |
| (2) Oil Level Sensor | (5) Throttle Body |
| (3) HO2S Sensor      |                   |

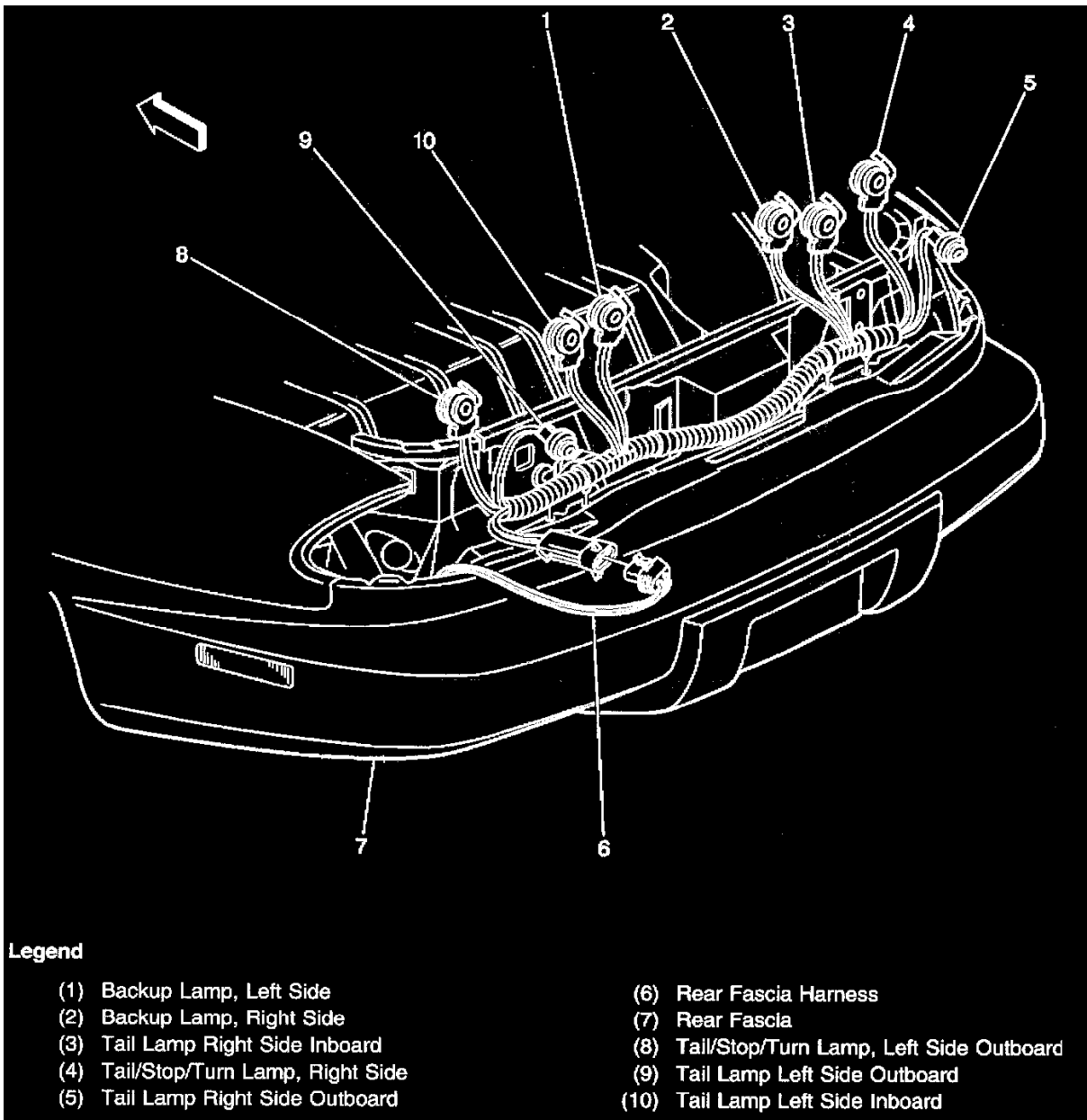
**Locations View**



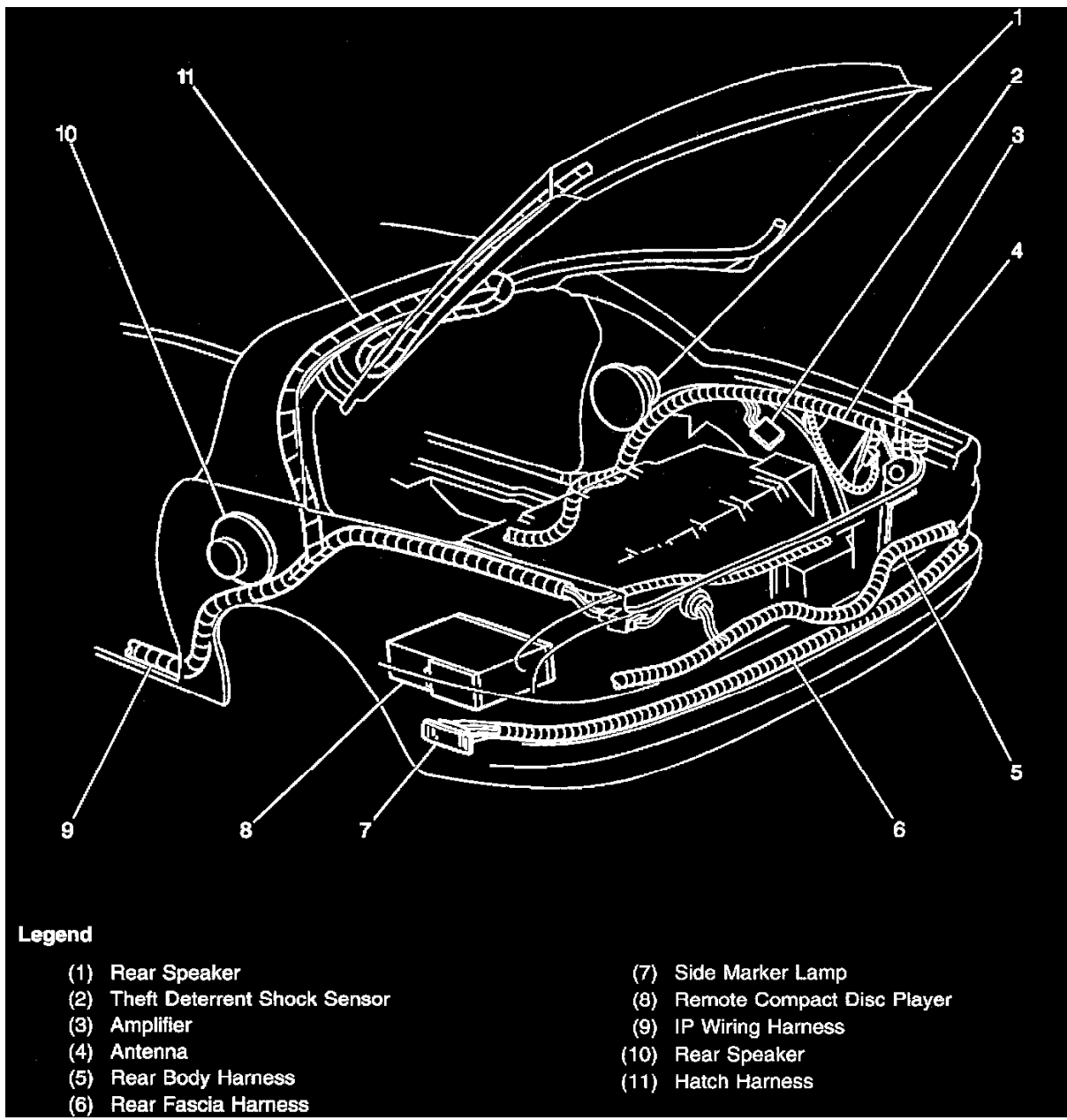
### Locations View

On the left rear of the engine, mounted to the intake manifold

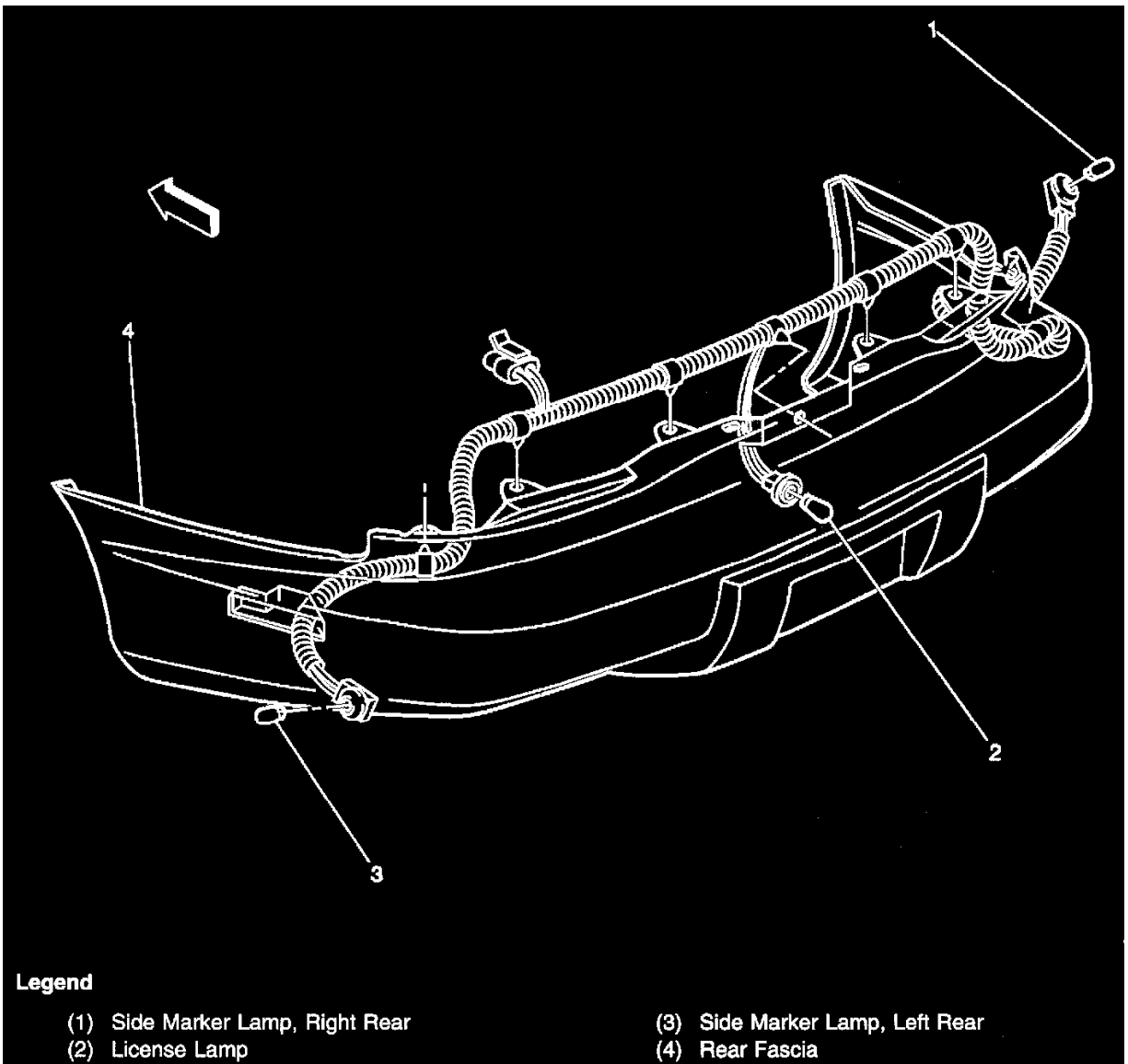




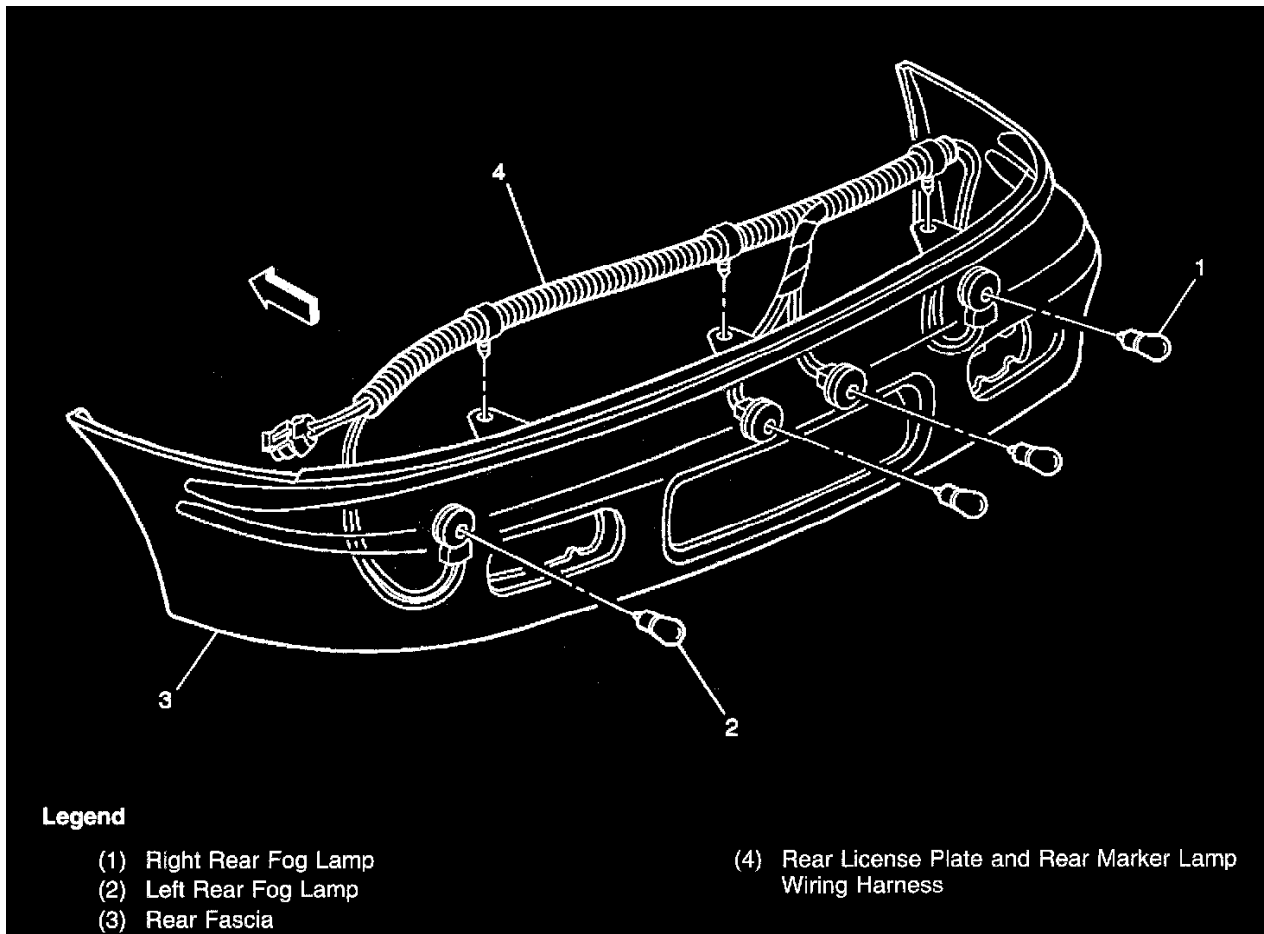
Locations View



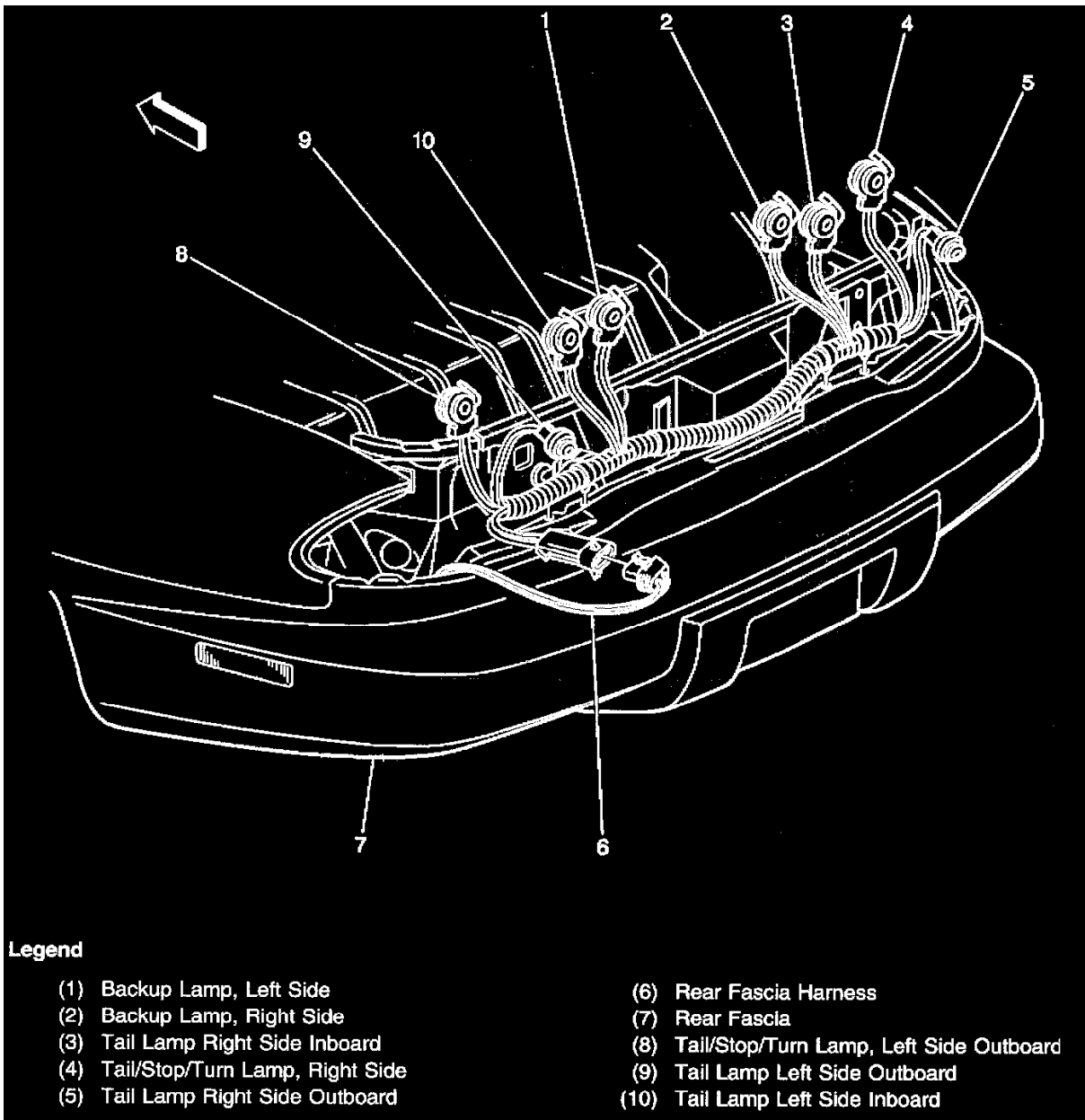
Locations View



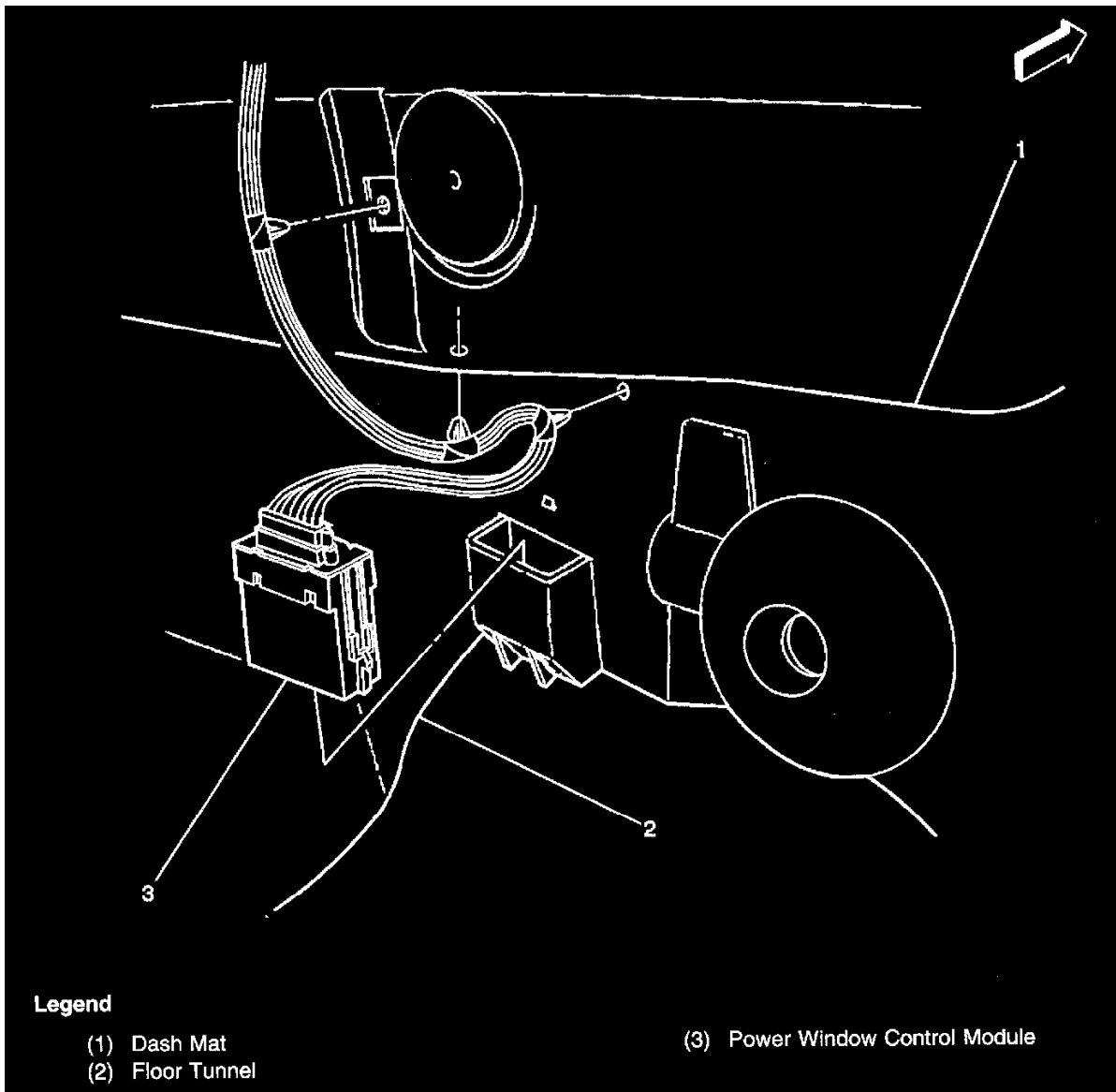
Locations View



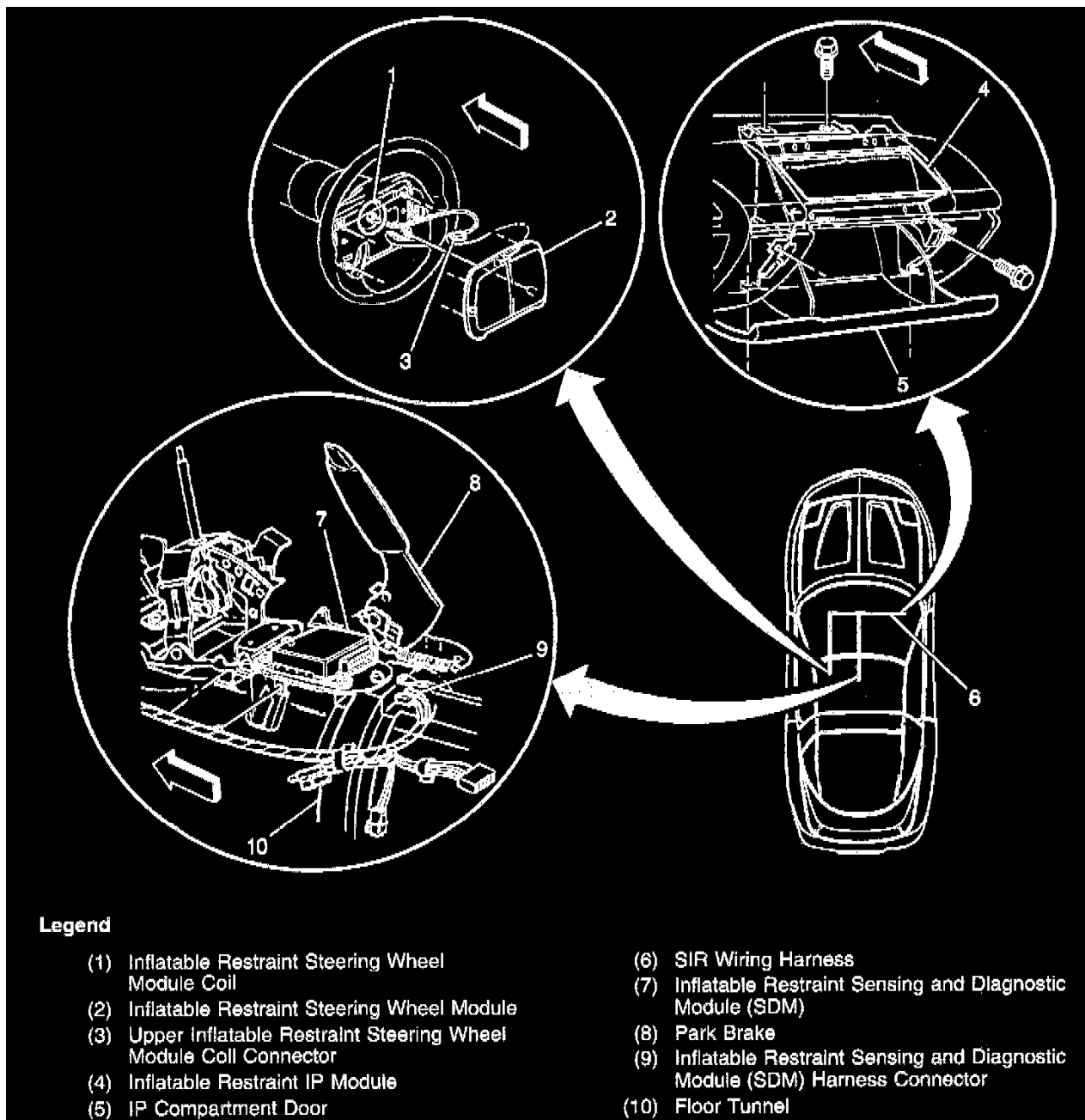
Locations View



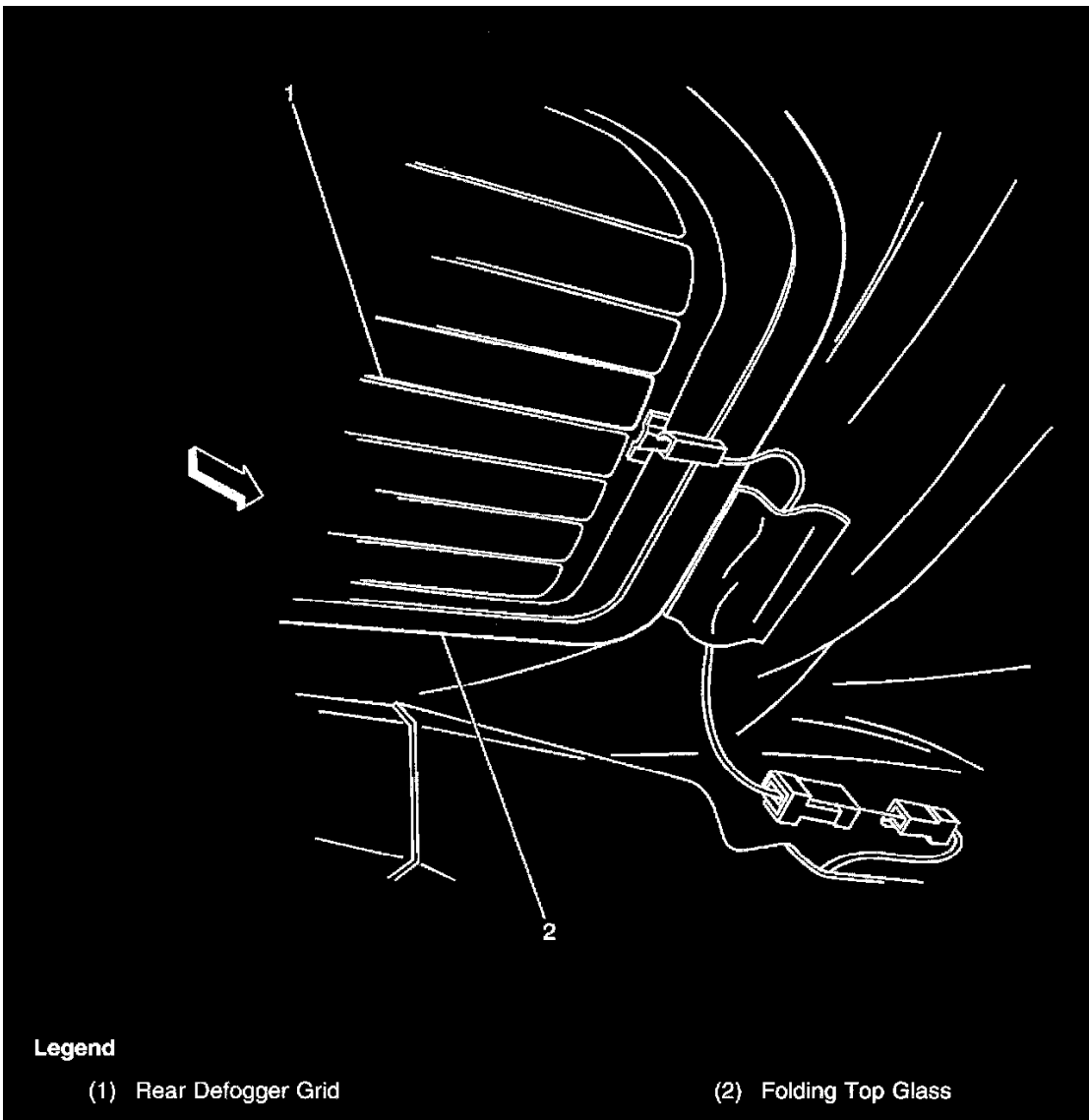
Locations View



Locations View

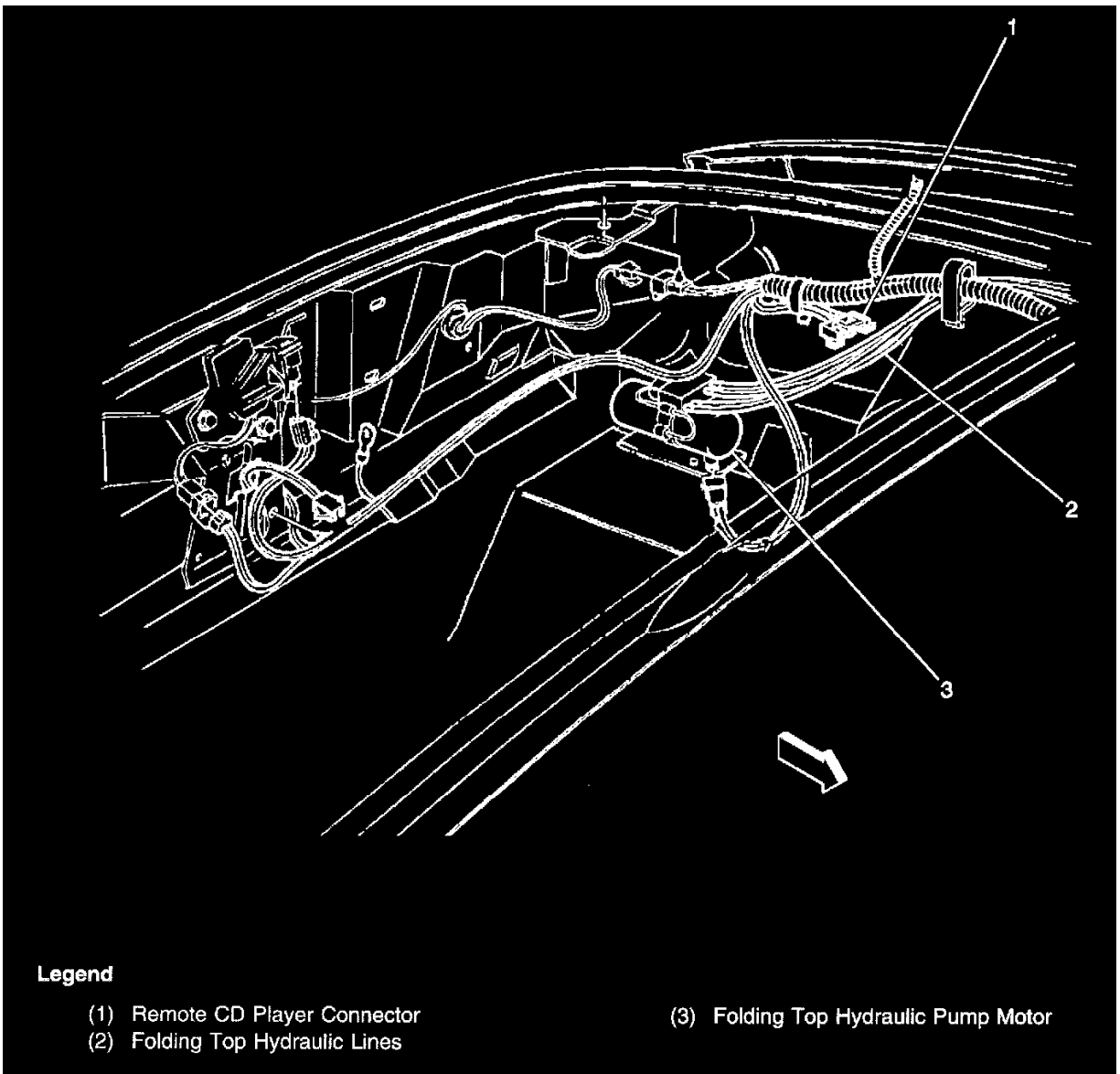


Locations View



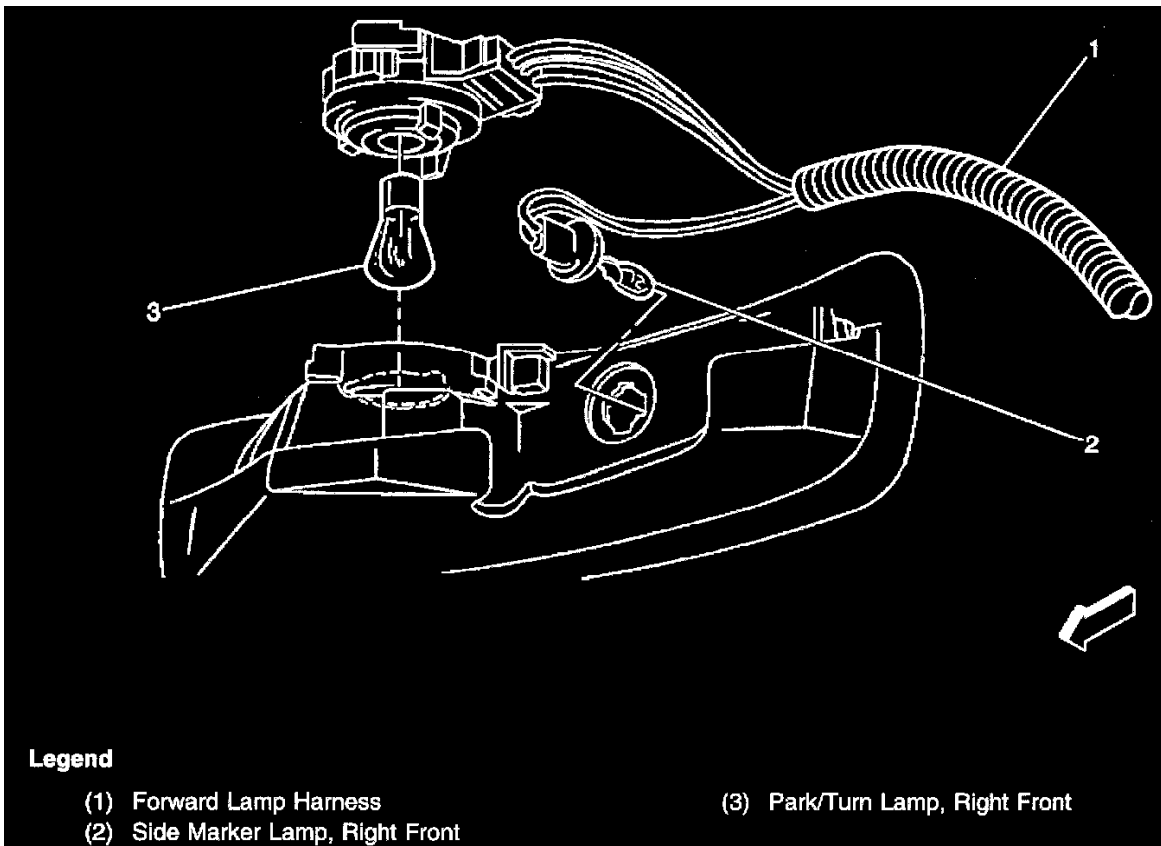
Locations View



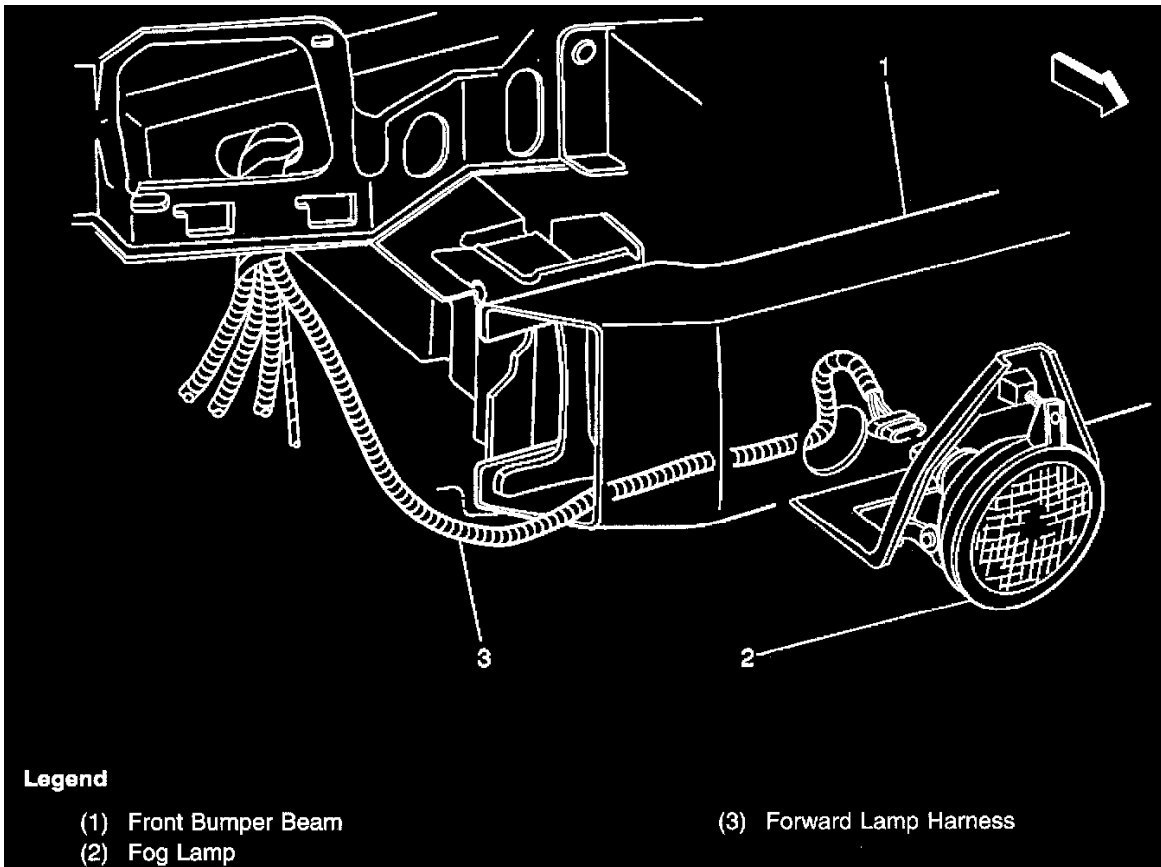


Locations View

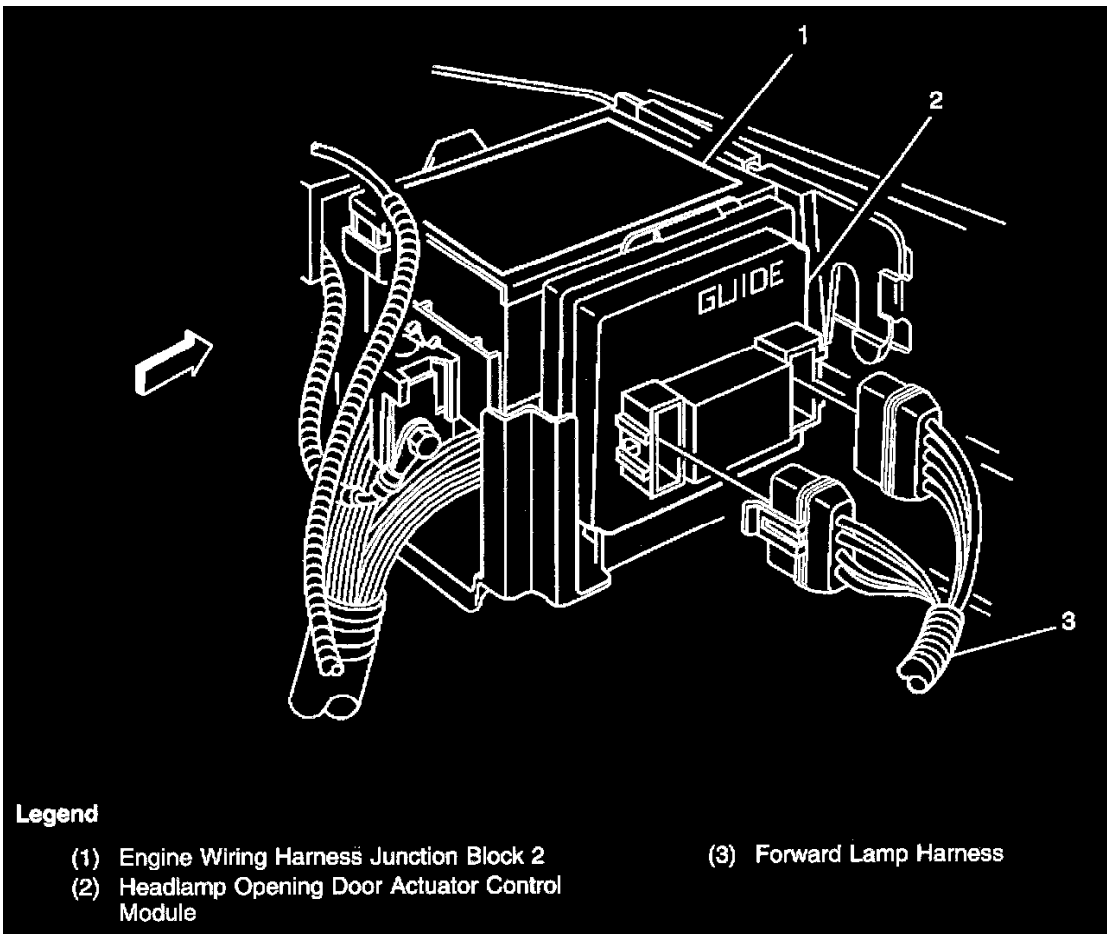
## Forward Lamp Harness



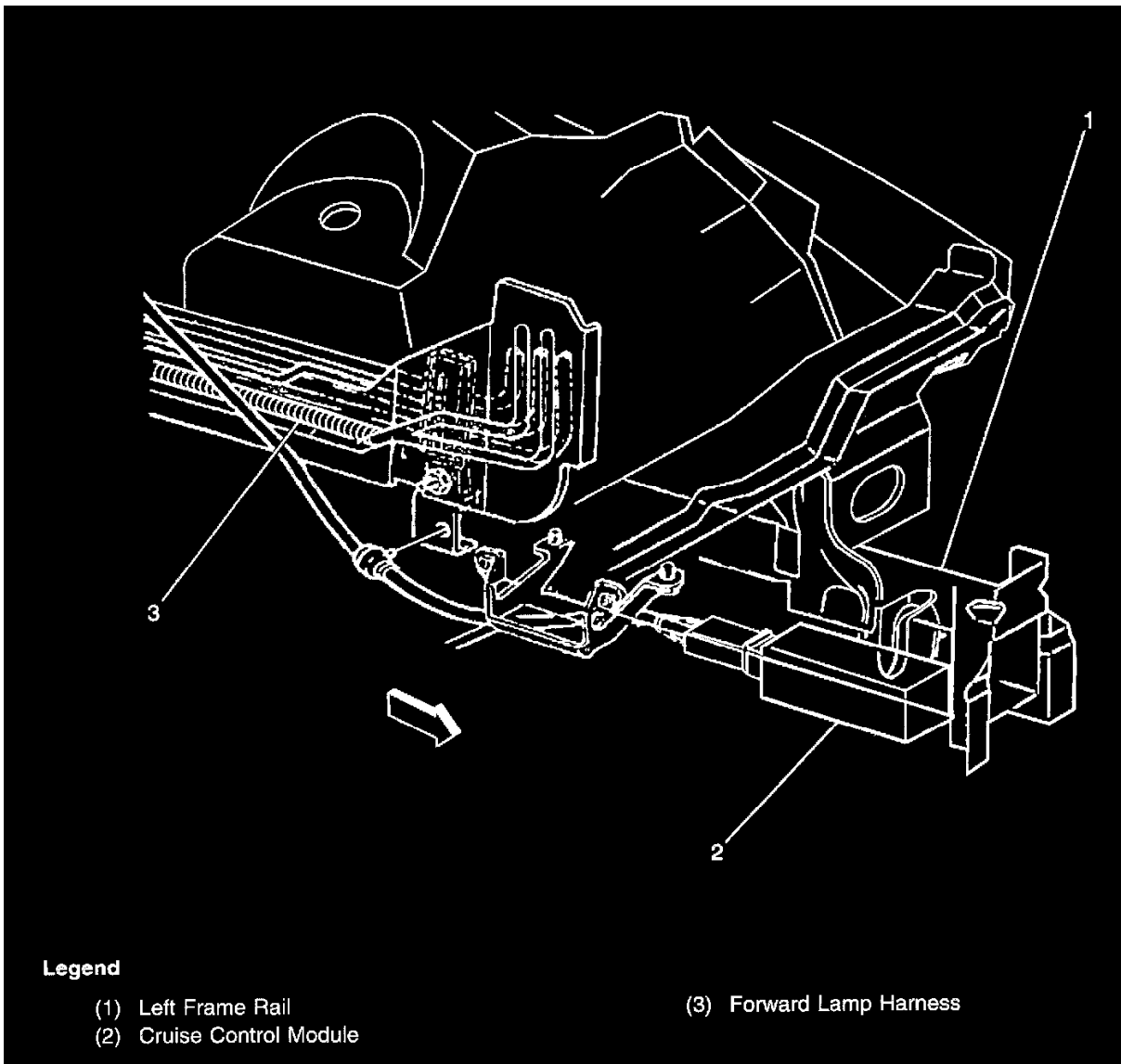
Locations View



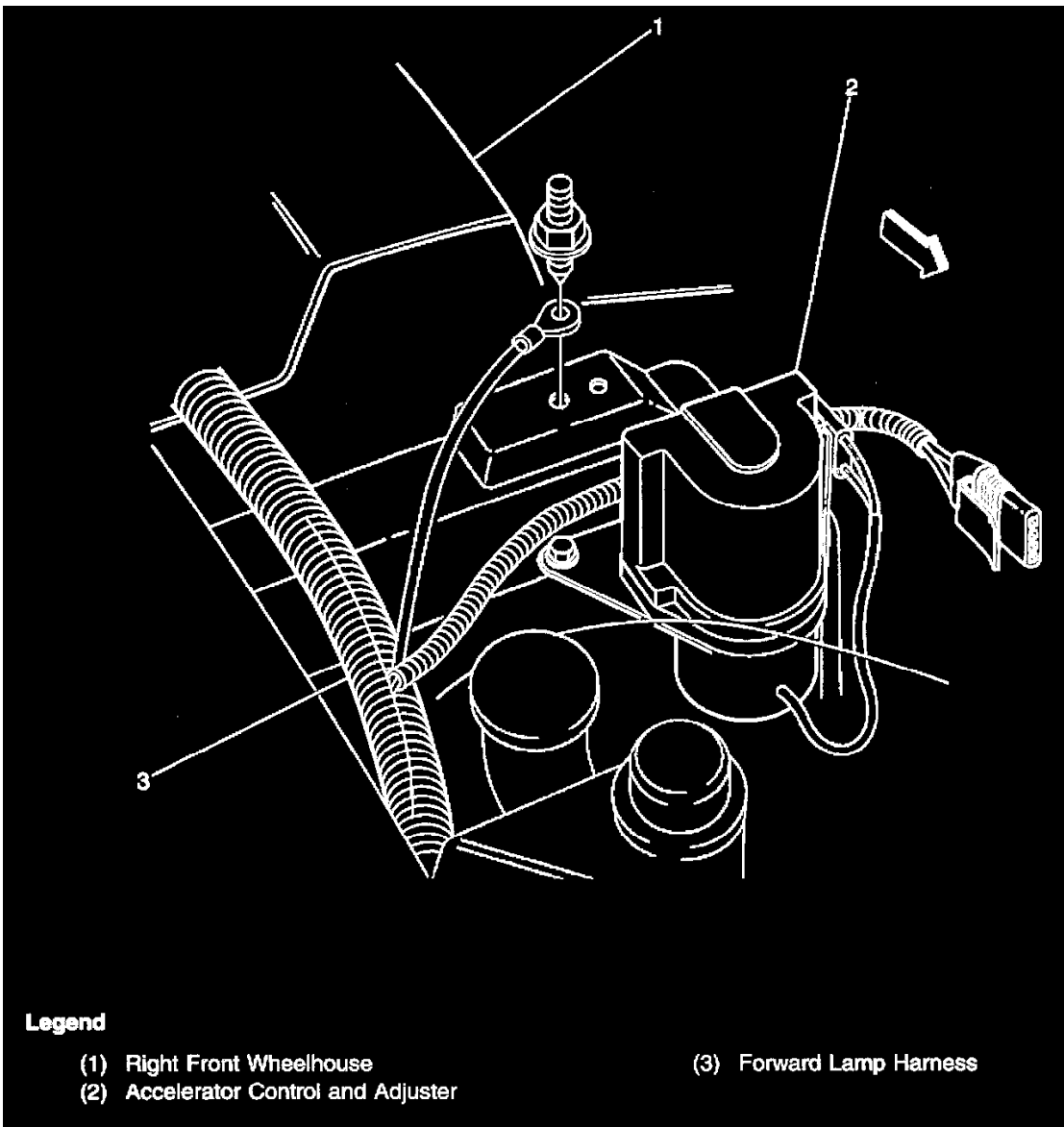
Locations View



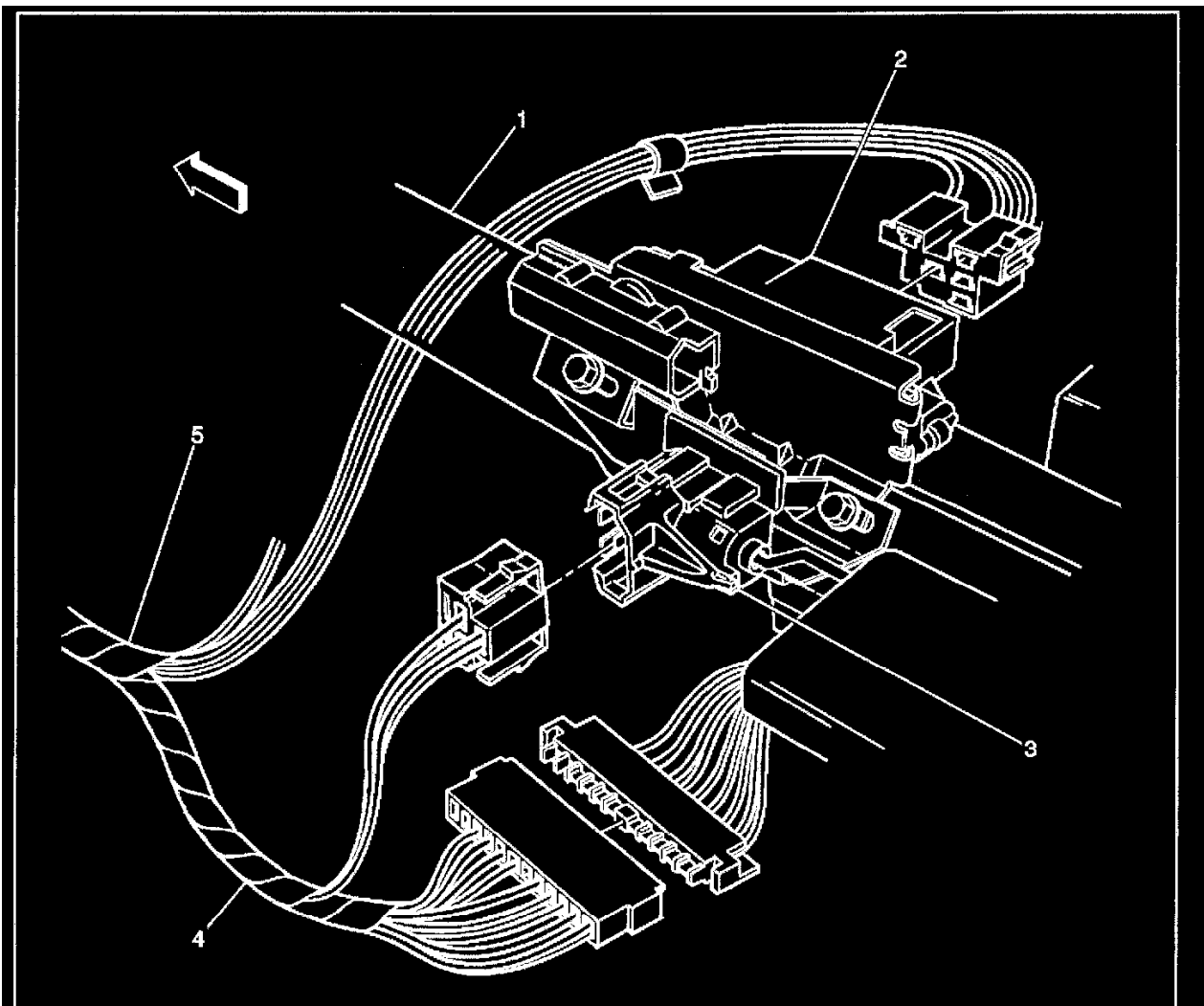
Locations View



Locations View



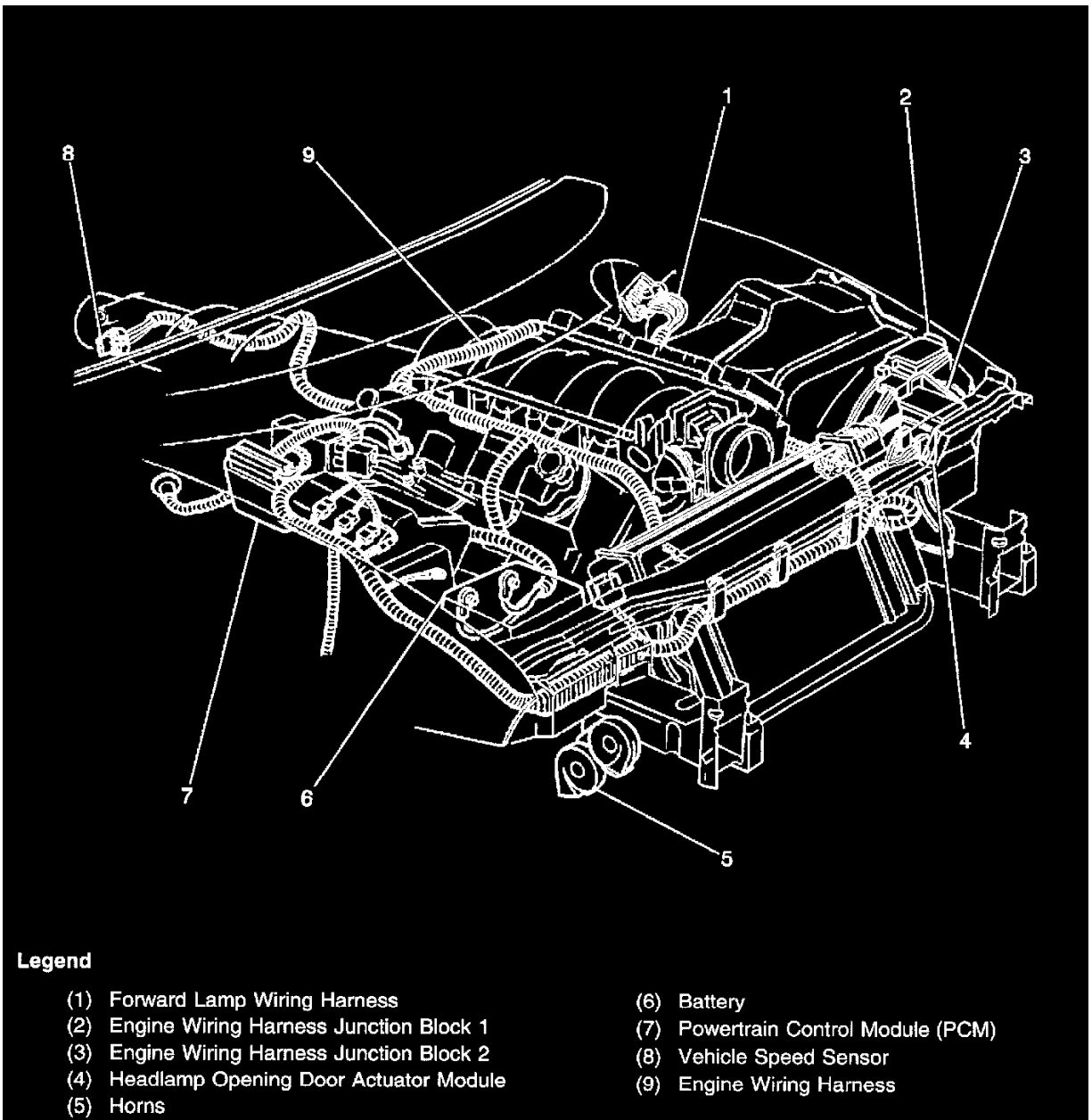
Locations View



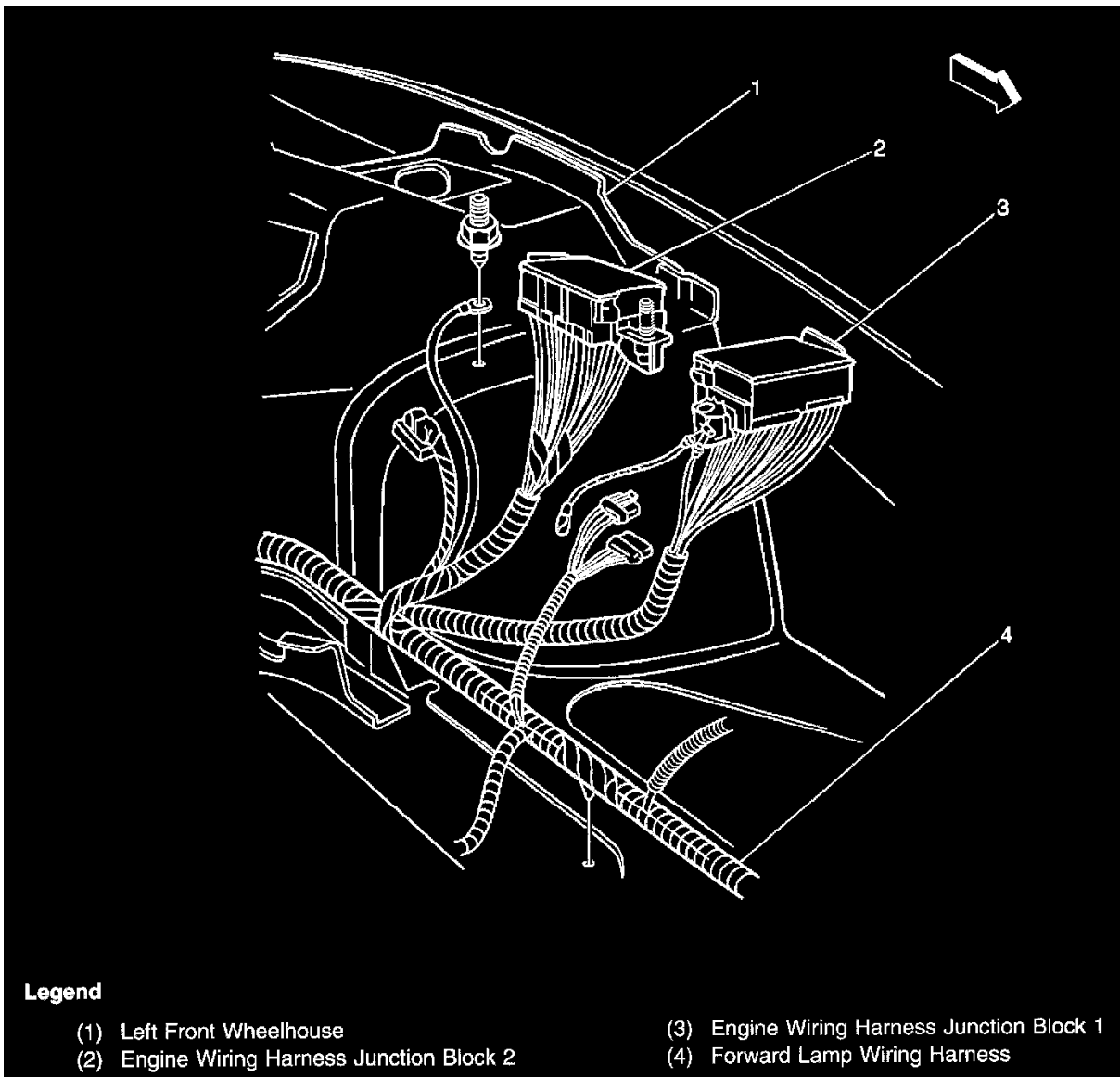
**Legend**

- |                            |                              |
|----------------------------|------------------------------|
| (1) Steering Column        | (4) Isolation Diode (Wipers) |
| (2) Ignition Switch        | (5) Forward Lamp Harness     |
| (3) Headlamp Dimmer Switch |                              |

**Locations View - Base Of Steering Column**



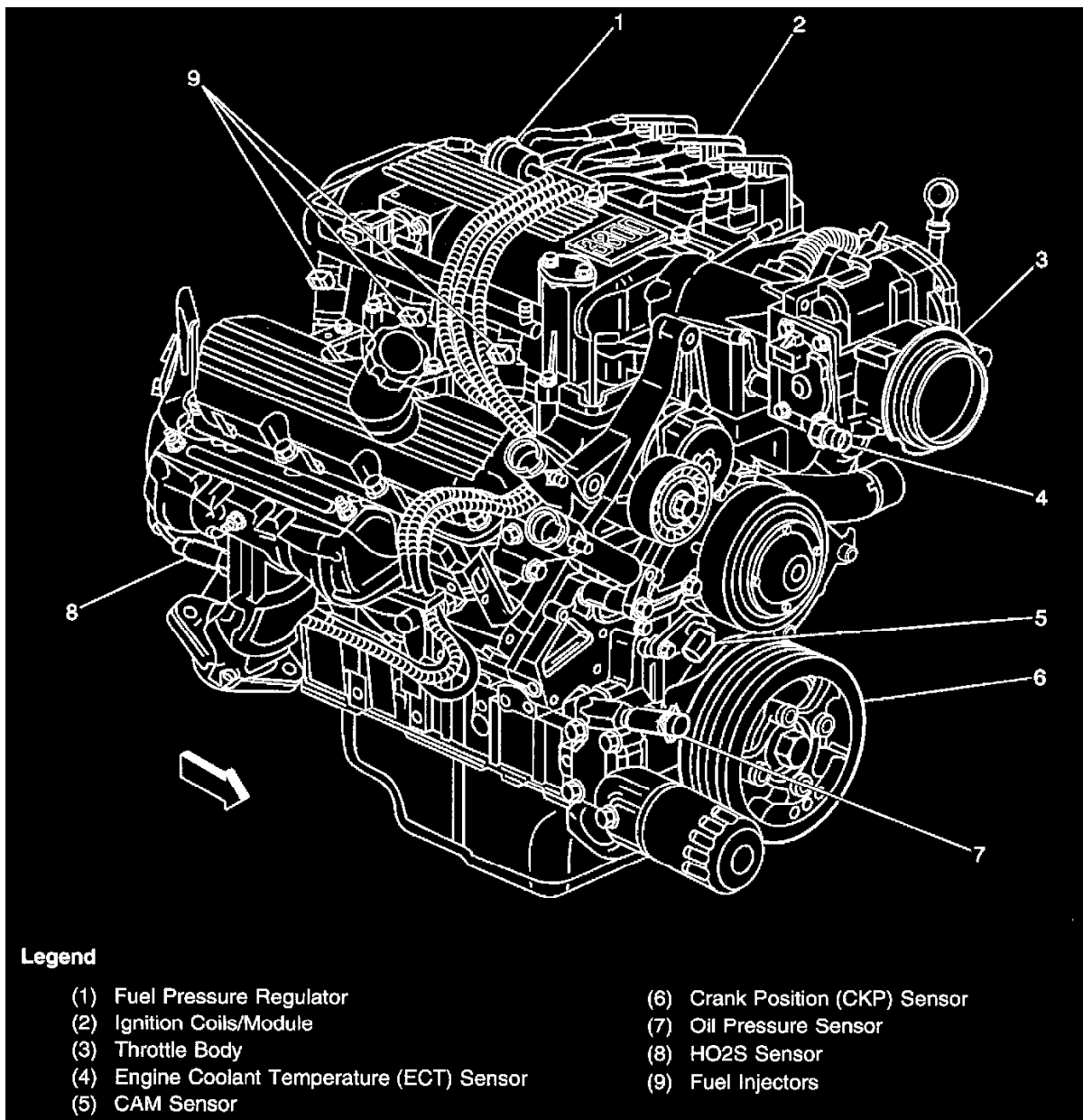
Locations View



Locations View

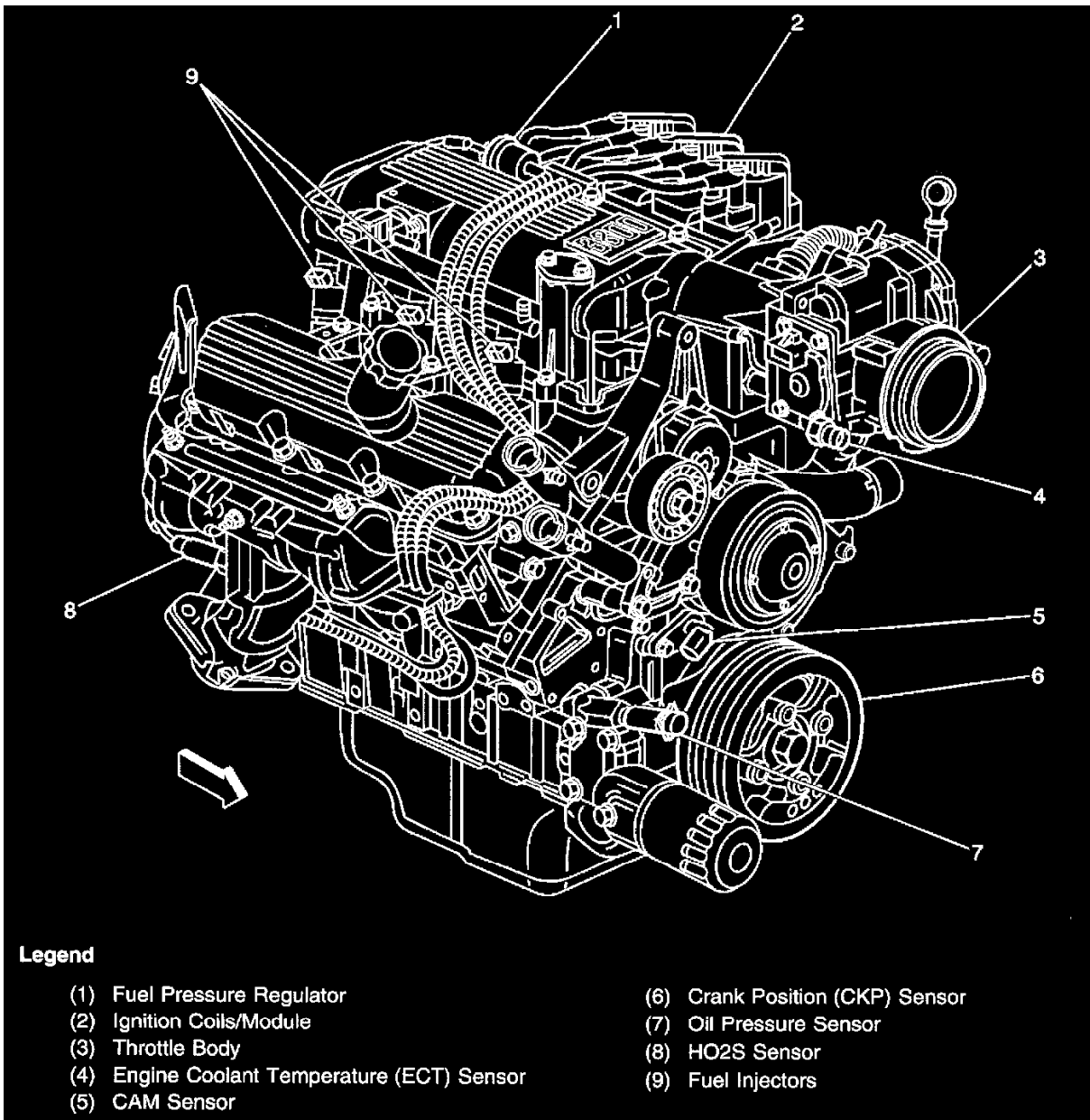
## Fuel Injectors



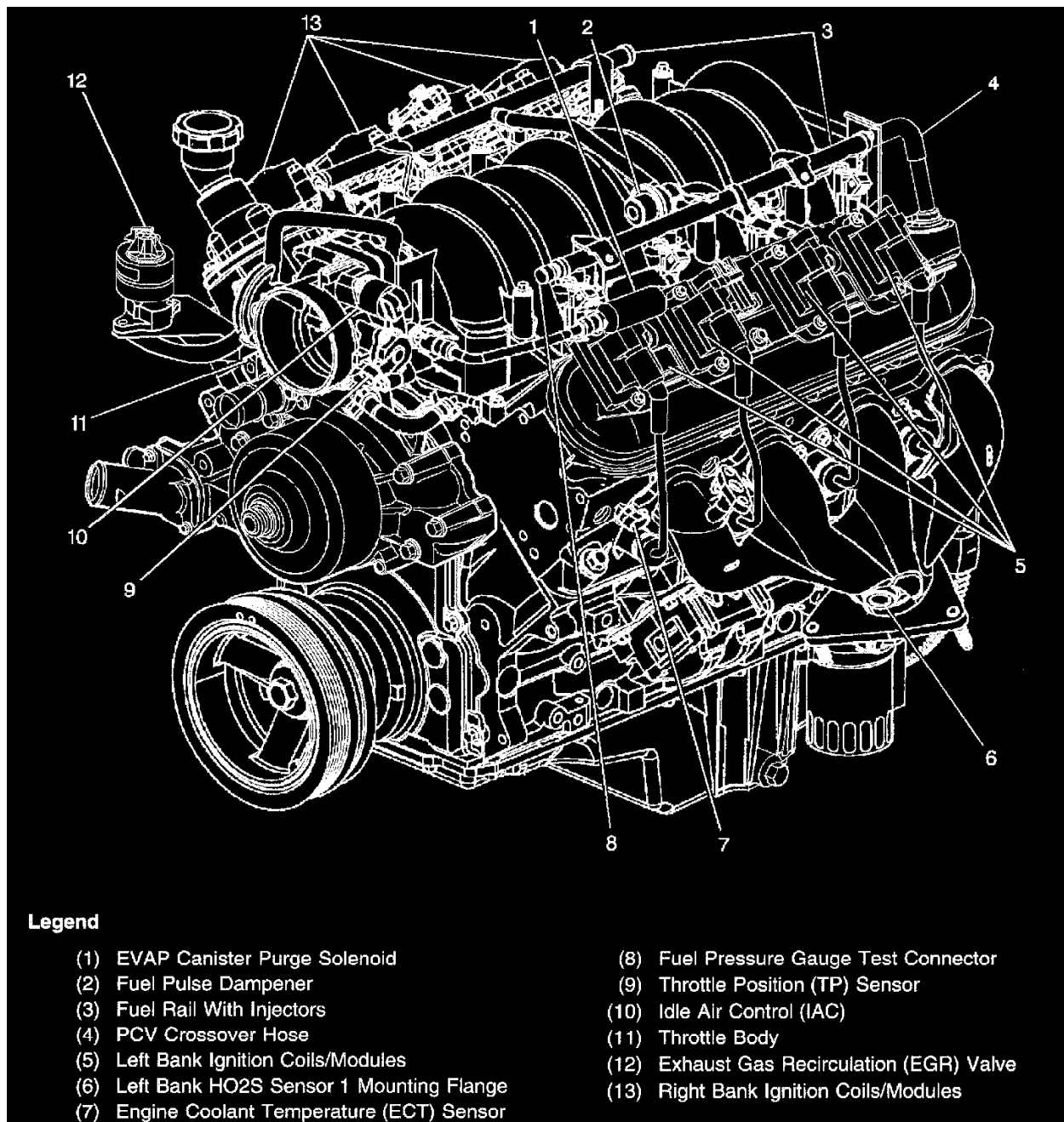


Locations View

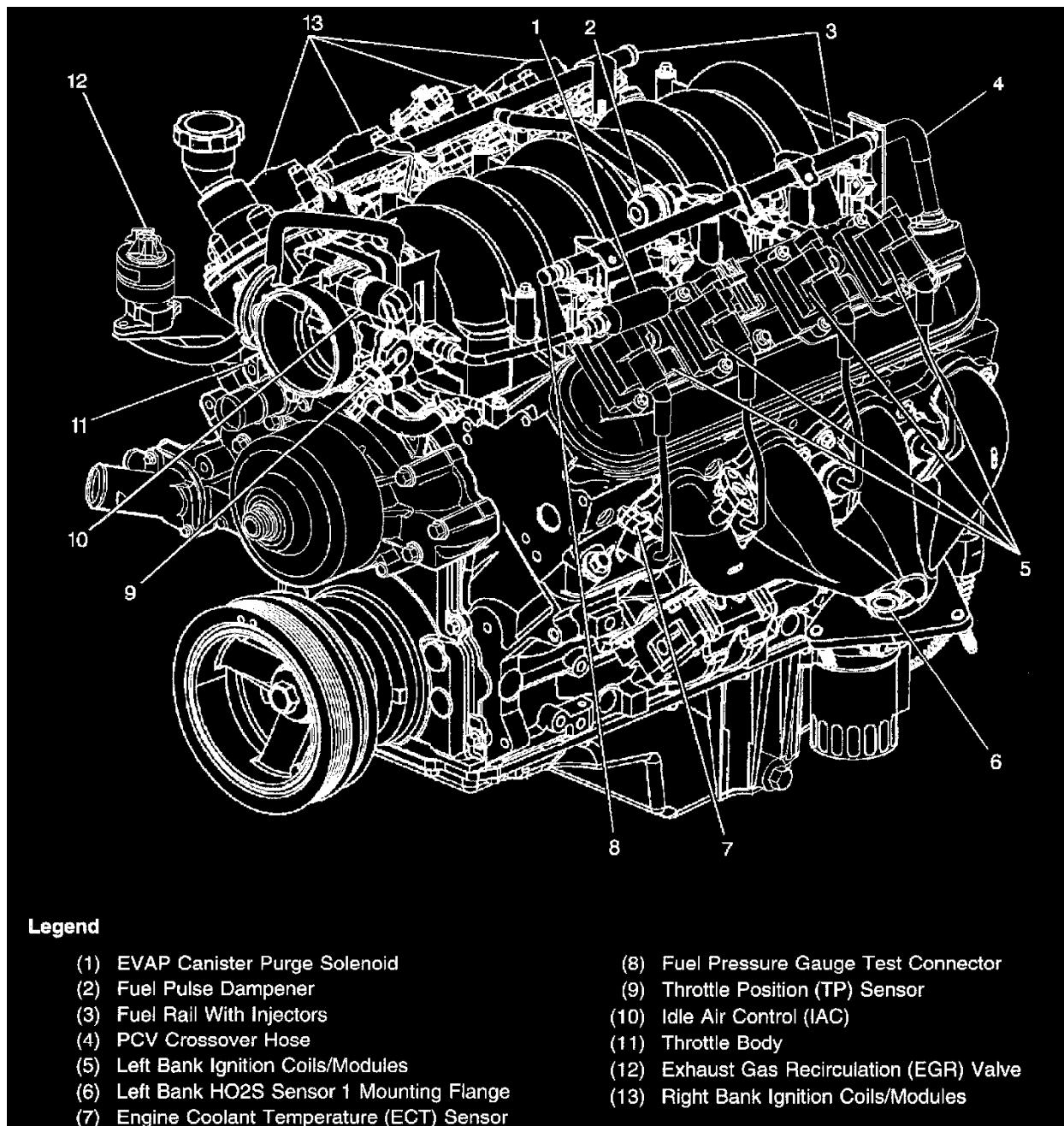
Mounted on the intake manifold, part of the fuel rail



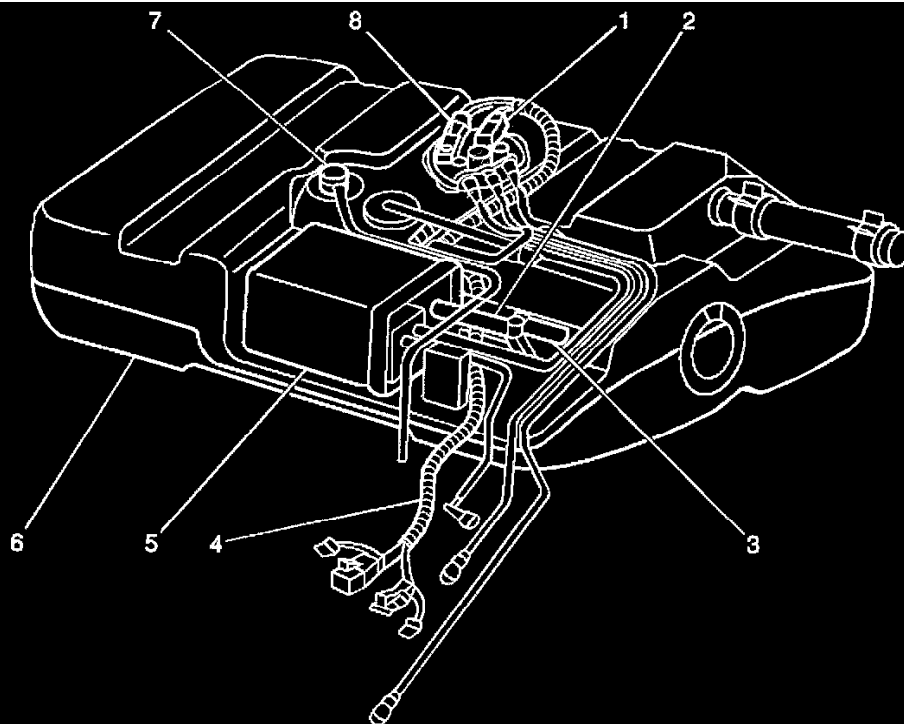
Locations View



Locations View



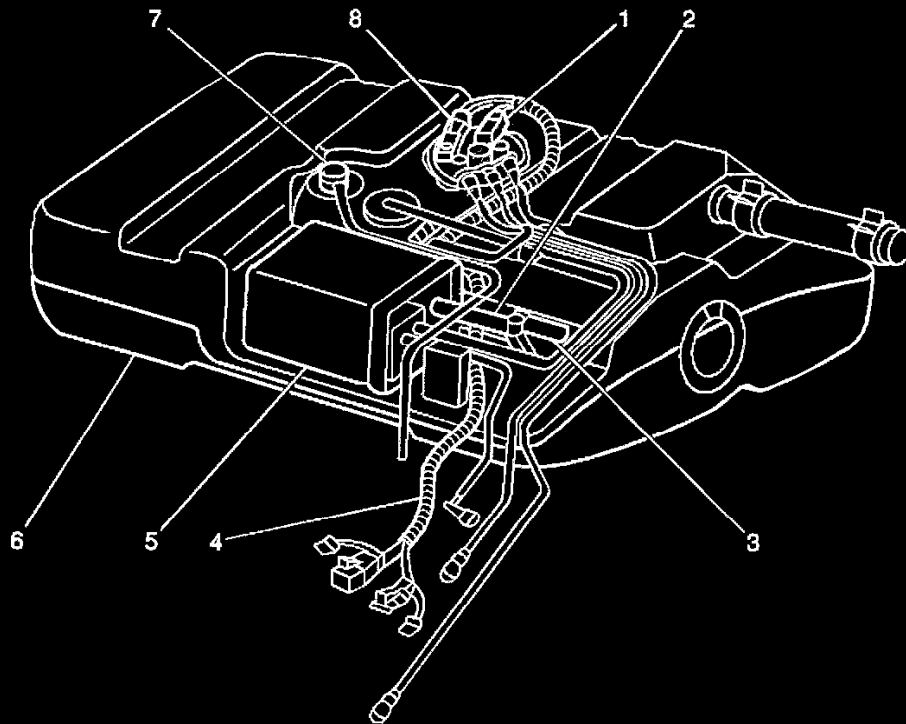
Locations View



**Legend**

- |   |                               |
|---|-------------------------------|
| (1) Fuel Sender Assembly                  | (5) EVAP Canister             |
| (2) Hose (EVAP Canister to Vent Solenoid) | (6) Fuel Tank                 |
| (3) EVAP Vent Valve                       | (7) Overpressure Relief Valve |
| (4) Fuel Tank Harness                     | (8) Fuel Tank Pressure Sensor |

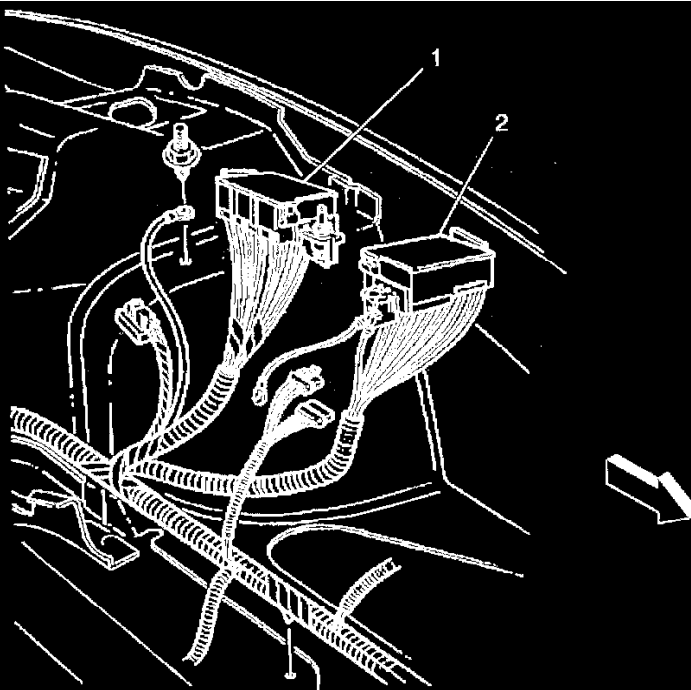
**Locations View**



**Legend**

- |   |                               |
|---|-------------------------------|
| (1) Fuel Sender Assembly                  | (5) EVAP Canister             |
| (2) Hose (EVAP Canister to Vent Solenoid) | (6) Fuel Tank                 |
| (3) EVAP Vent Valve                       | (7) Overpressure Relief Valve |
| (4) Fuel Tank Harness                     | (8) Fuel Tank Pressure Sensor |

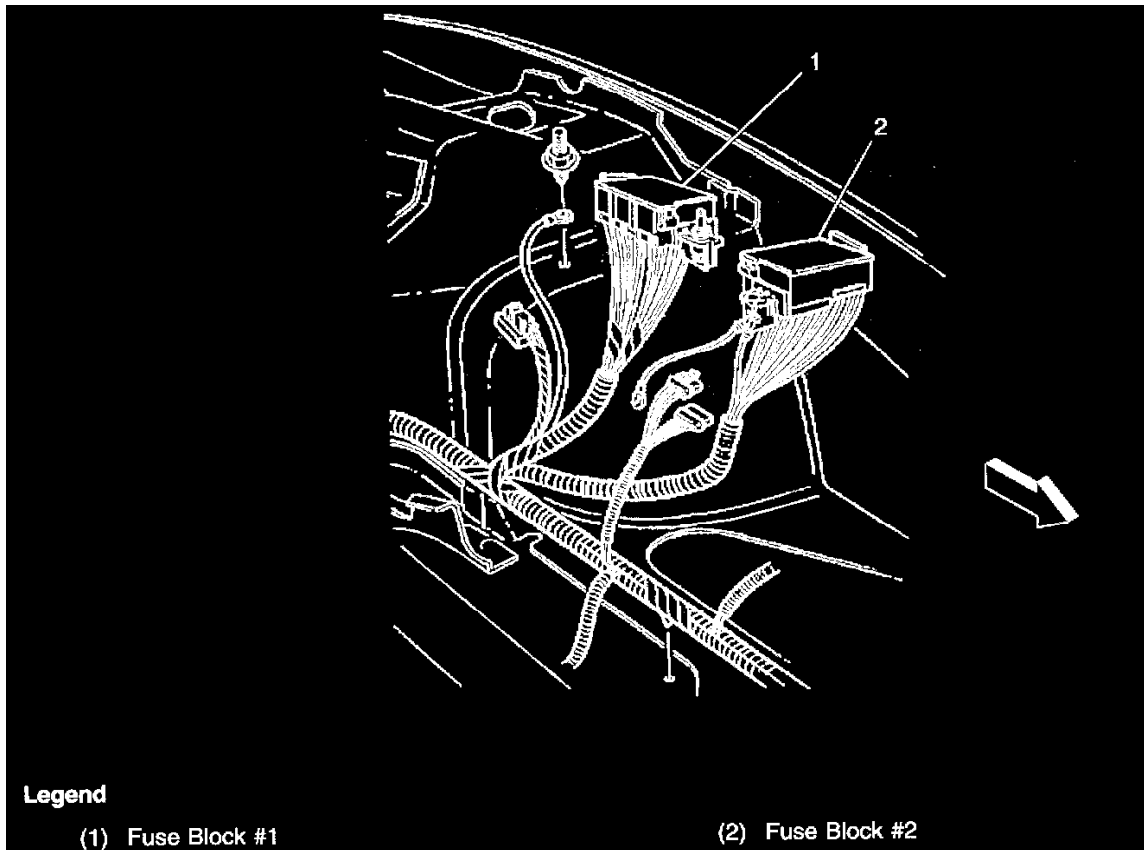
**Locations View**



**Legend**

- |                   |                   |
|-------------------|-------------------|
| (1) Fuse Block #1 | (2) Fuse Block #2 |
|-------------------|-------------------|

Locations View



Locations View

**Fuse Holder (Export)**

**FUSE HOLDER (EXPORT)**

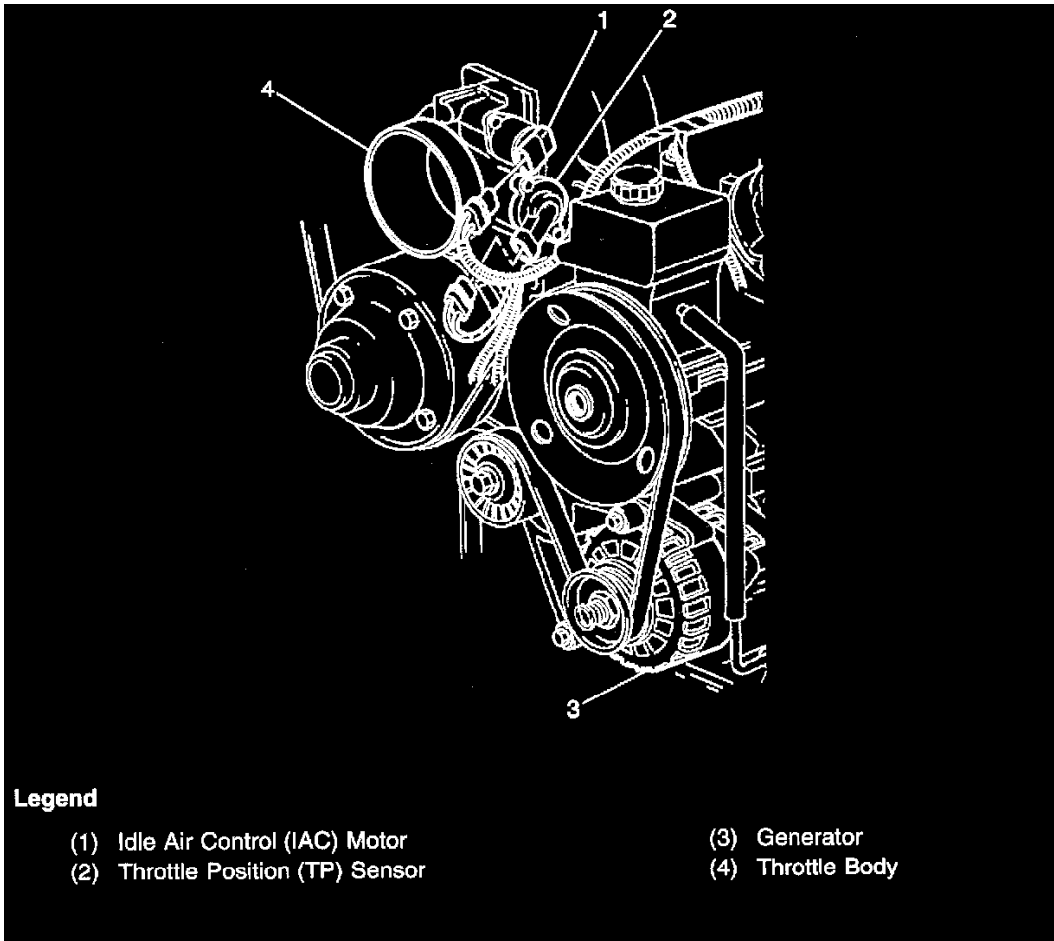
On the front of the vehicle, above each headlamp.

**Fusible Links**

**FUSIBLE LINKS**

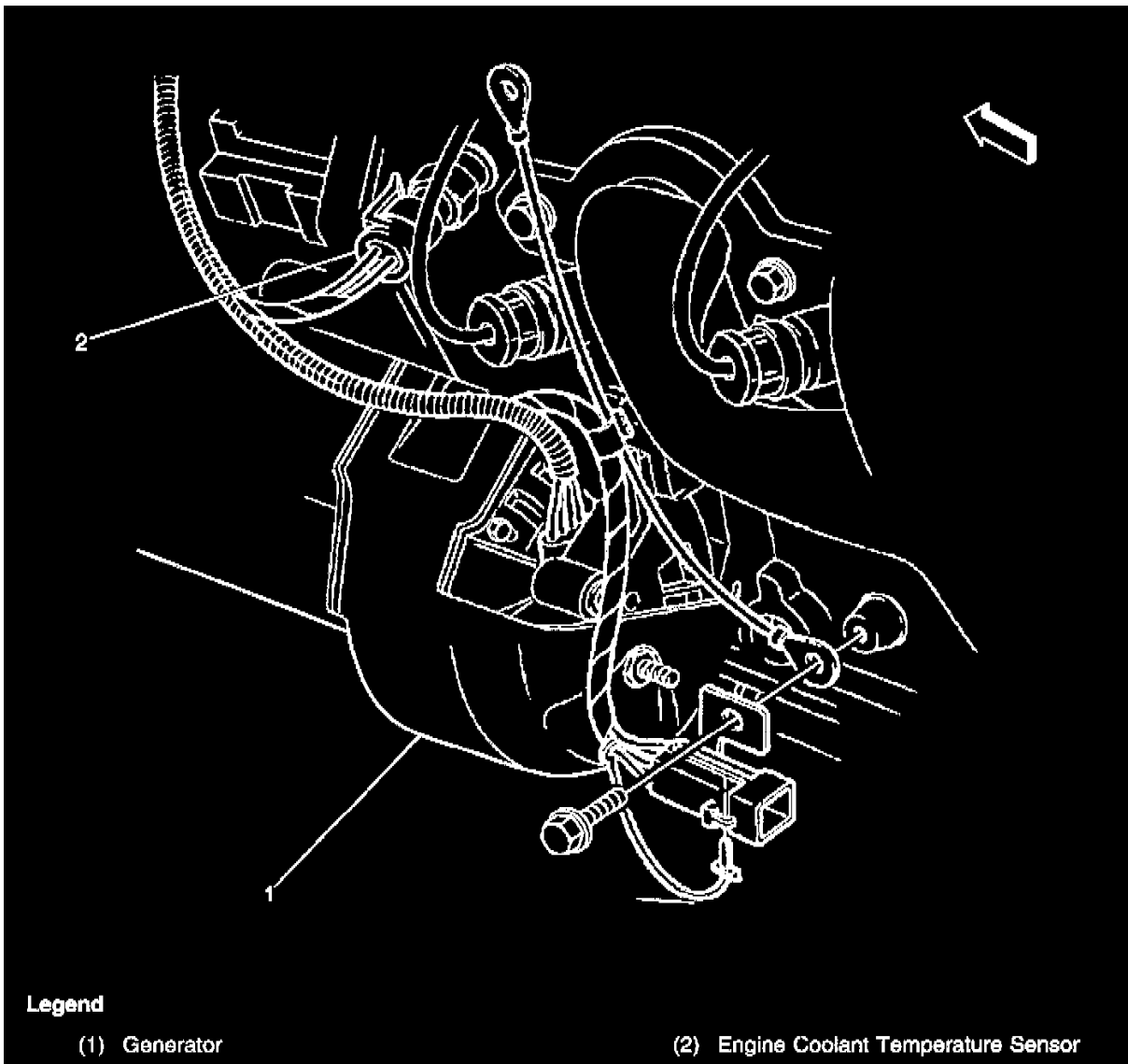
Forward of the left front wheelhouse, behind the underhood electrical center 2.

**Generator**



Locations View





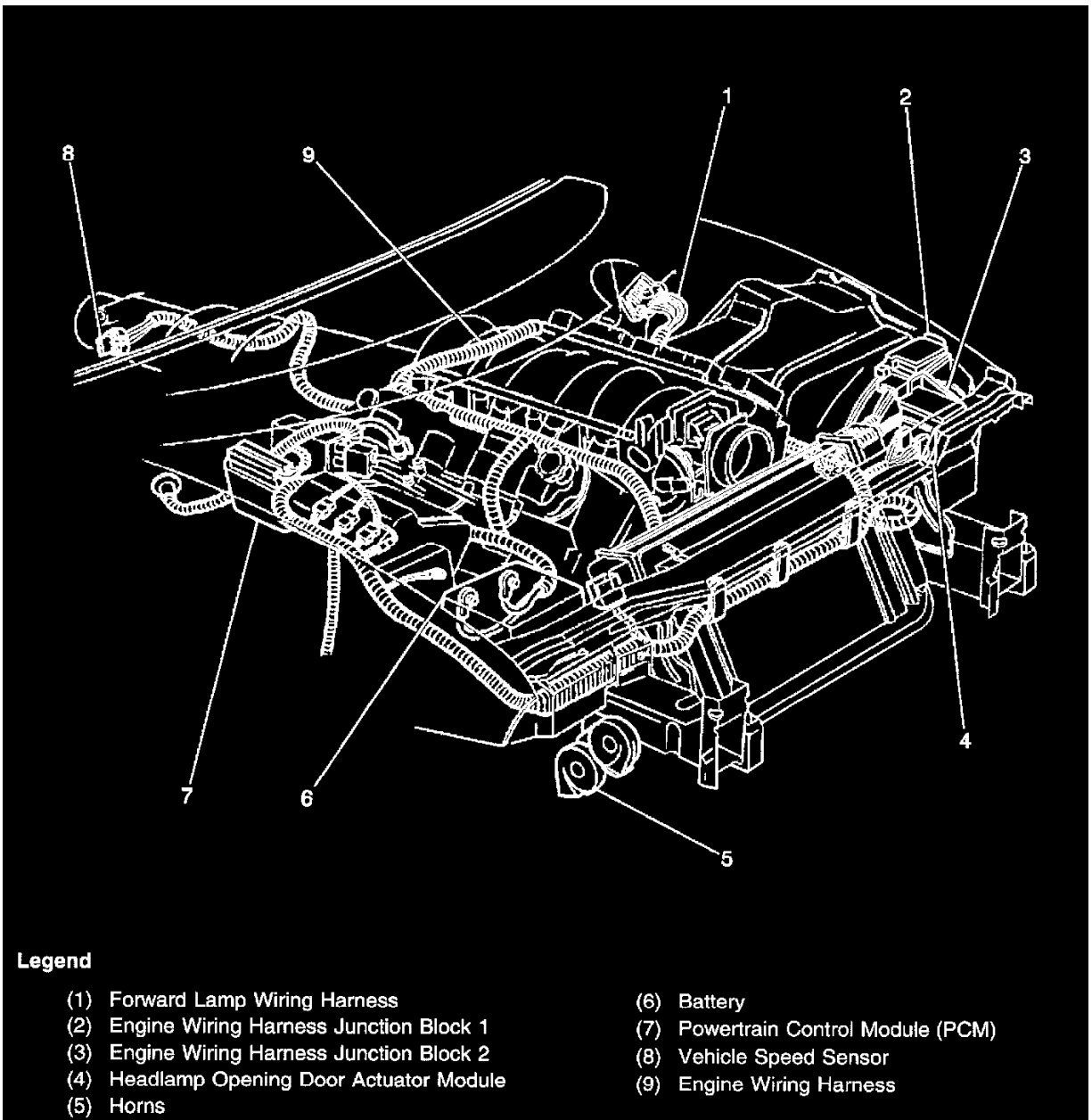
Locations View

On the front left side of the engine

**Headlamp Leveling Jumper Resistor**

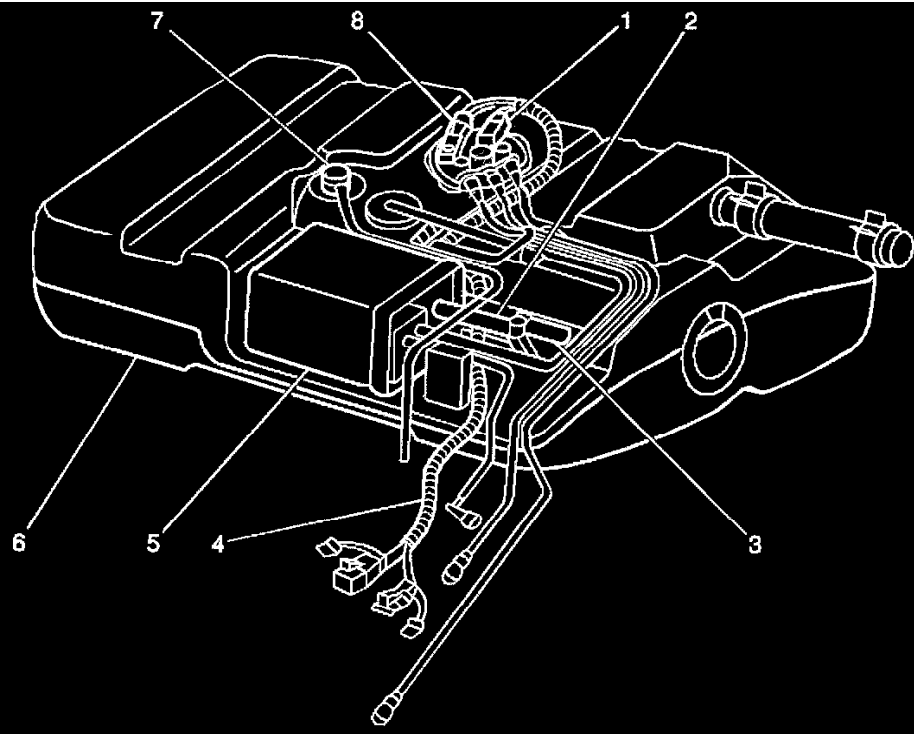
In the IP harness, approximately 12 cm (4 in) from G202 breakout, in inflatable restraint sensing and diagnostic module (SDM) breakout

**Horn**



**Locations View**

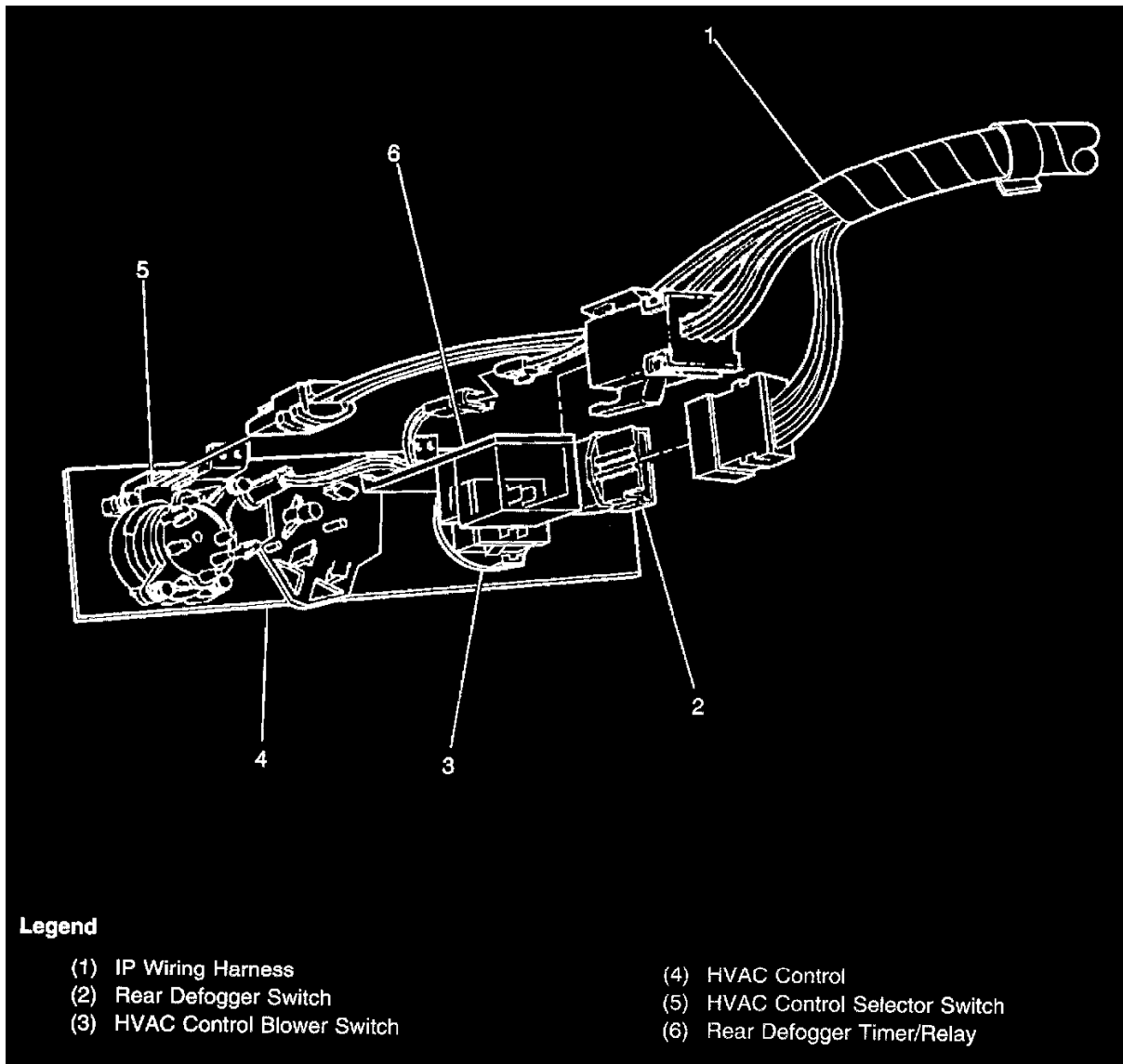
In the front right side of the vehicle, directly below headlamp



**Legend**

- |   |                               |
|---|-------------------------------|
| (1) Fuel Sender Assembly                  | (5) EVAP Canister             |
| (2) Hose (EVAP Canister to Vent Solenoid) | (6) Fuel Tank                 |
| (3) EVAP Vent Valve                       | (7) Overpressure Relief Valve |
| (4) Fuel Tank Harness                     | (8) Fuel Tank Pressure Sensor |

**Locations View**

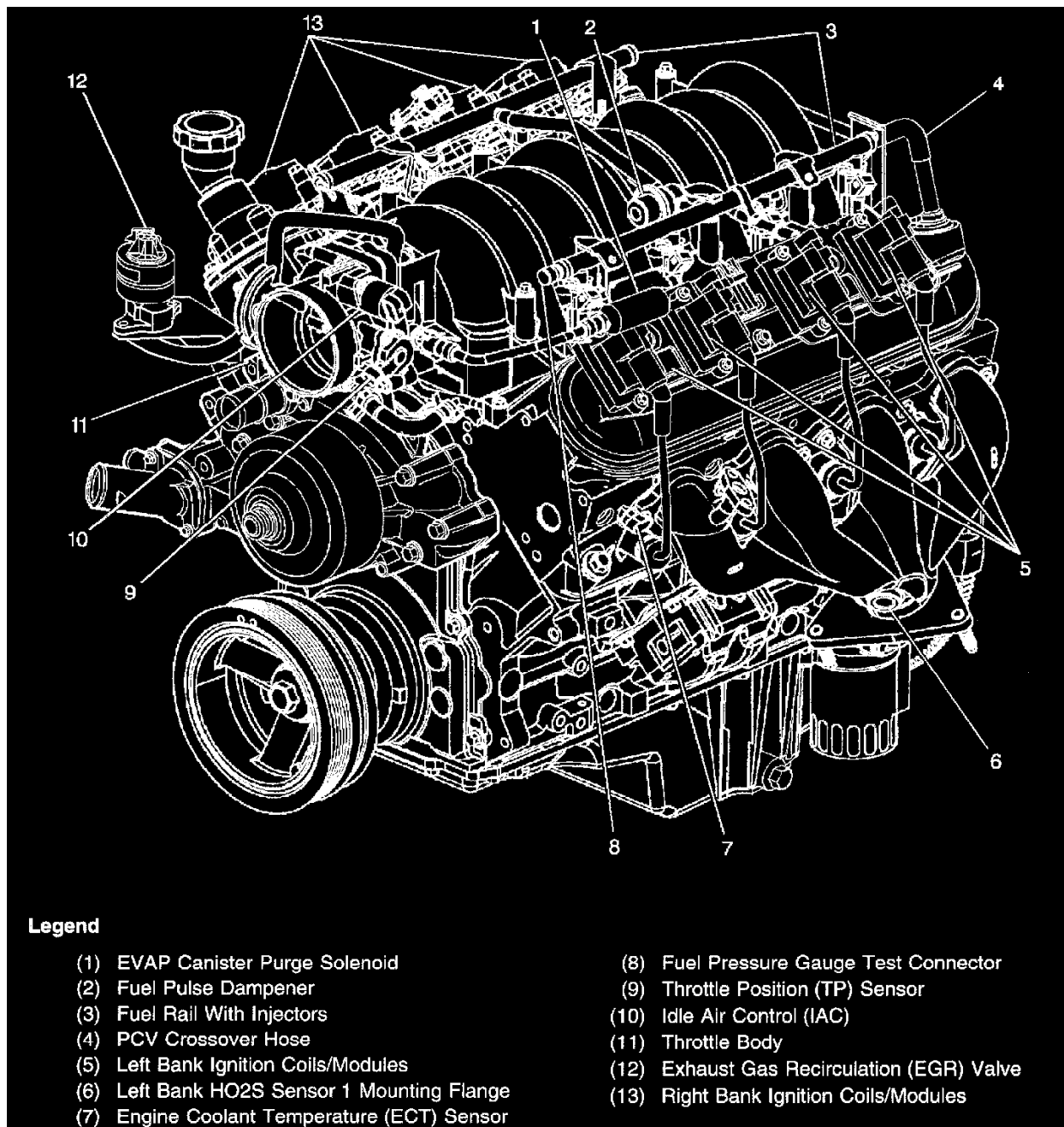


**Legend**

- (1) IP Wiring Harness
- (2) Rear Defogger Switch
- (3) HVAC Control Blower Switch
- (4) HVAC Control
- (5) HVAC Control Selector Switch
- (6) Rear Defogger Timer/Relay

**Locations View**

**Idle Air Control (IAC) Valve**

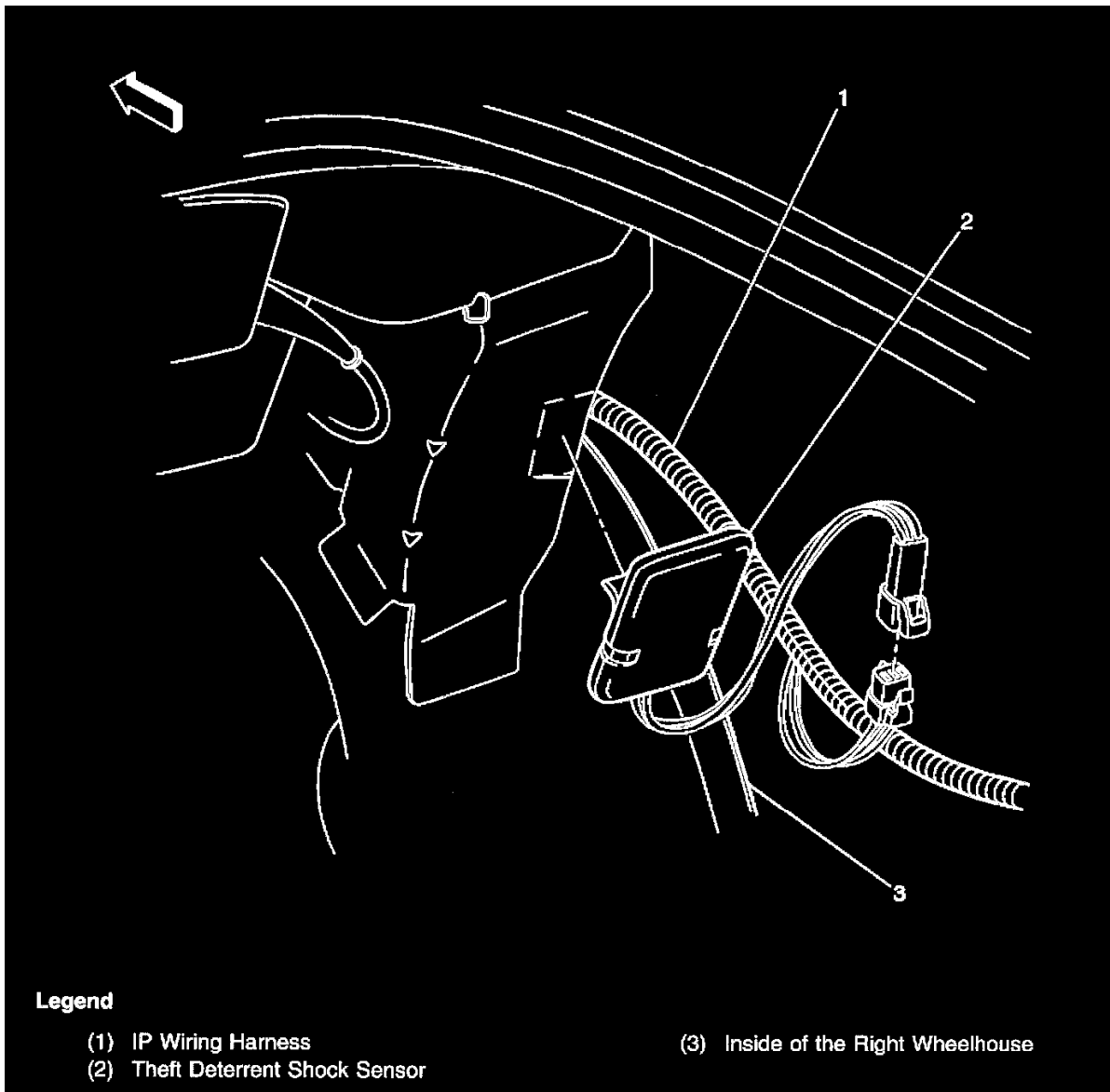


### Locations View

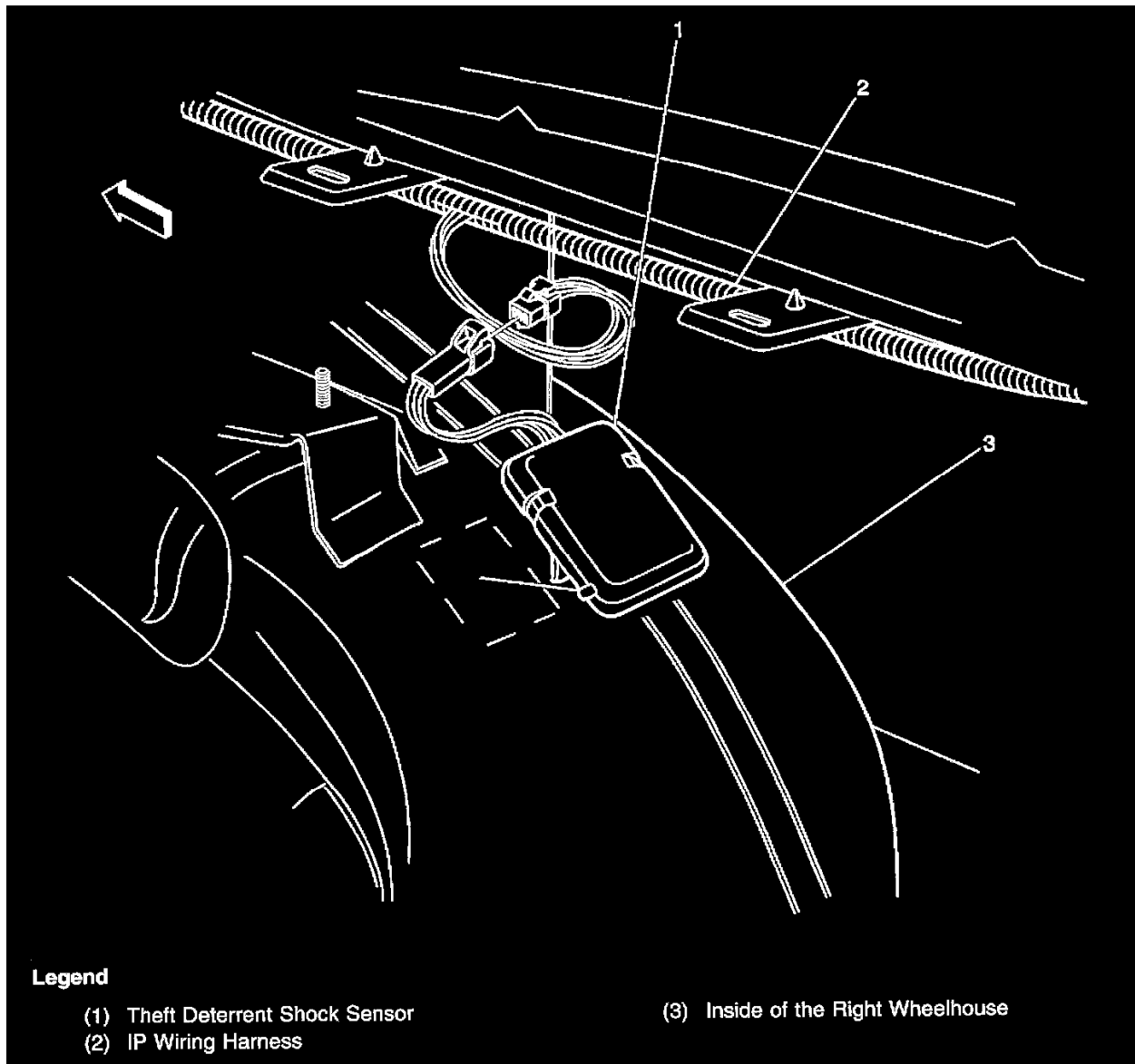
On the right front of the engine, on the throttle body

### Ignition Key Lock Cylinder

Part of the steering column



Locations View

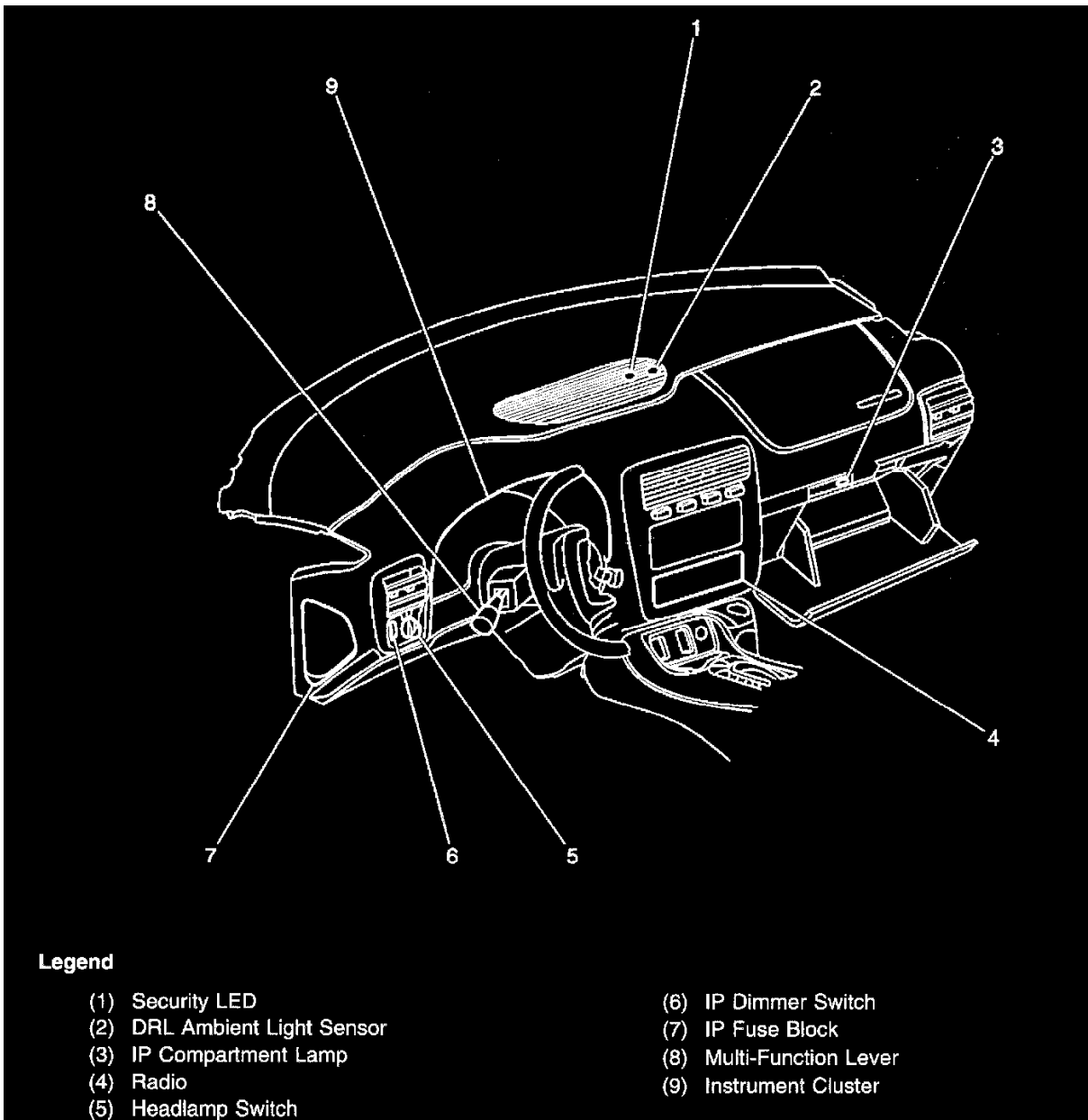


Locations View

### Inside Rearview Mirror

Mounted to the inside center of the windshield

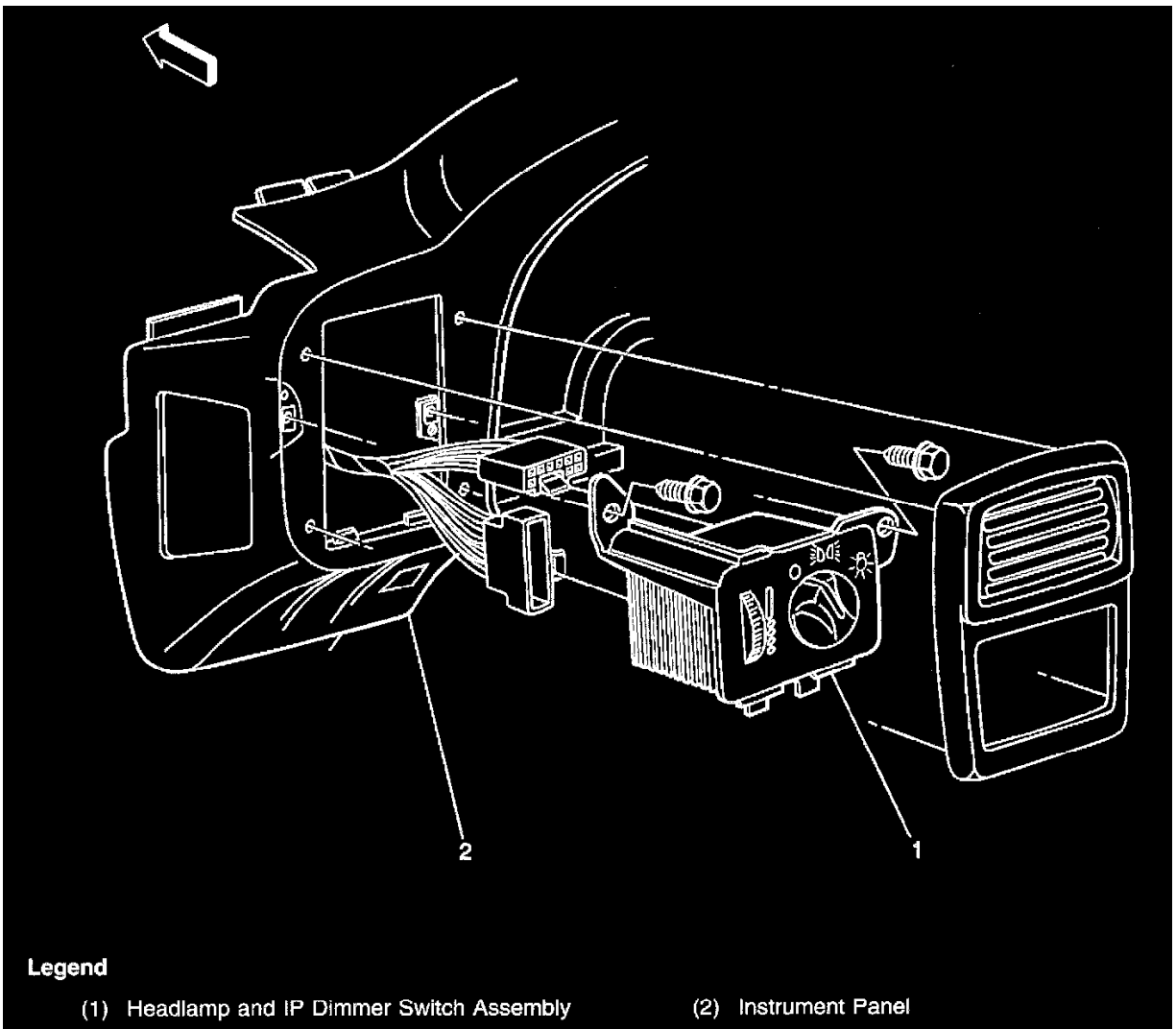
### Instrument Cluster



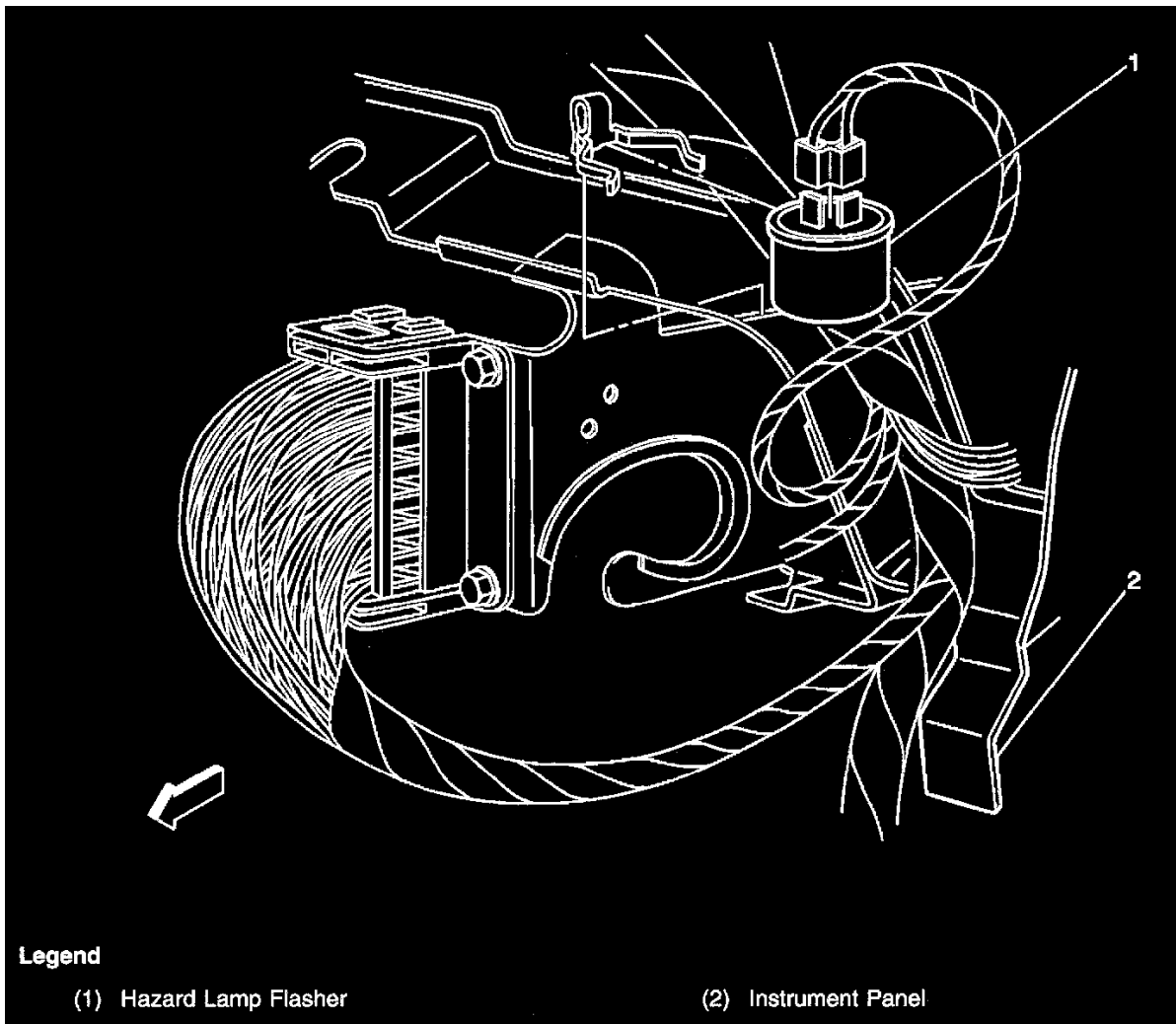
Locations View

On the left side of the IP  
**Instrument Panel**

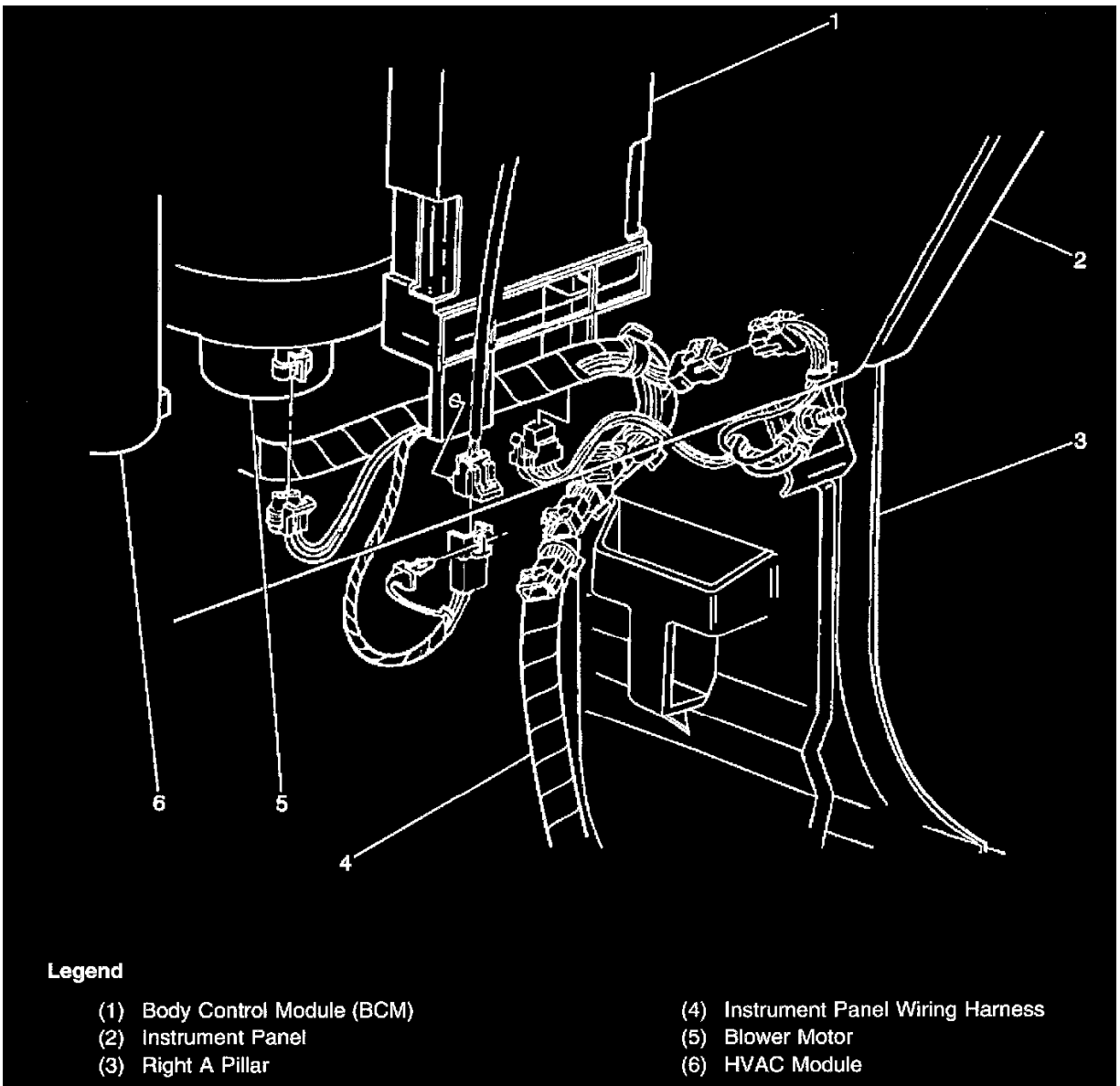




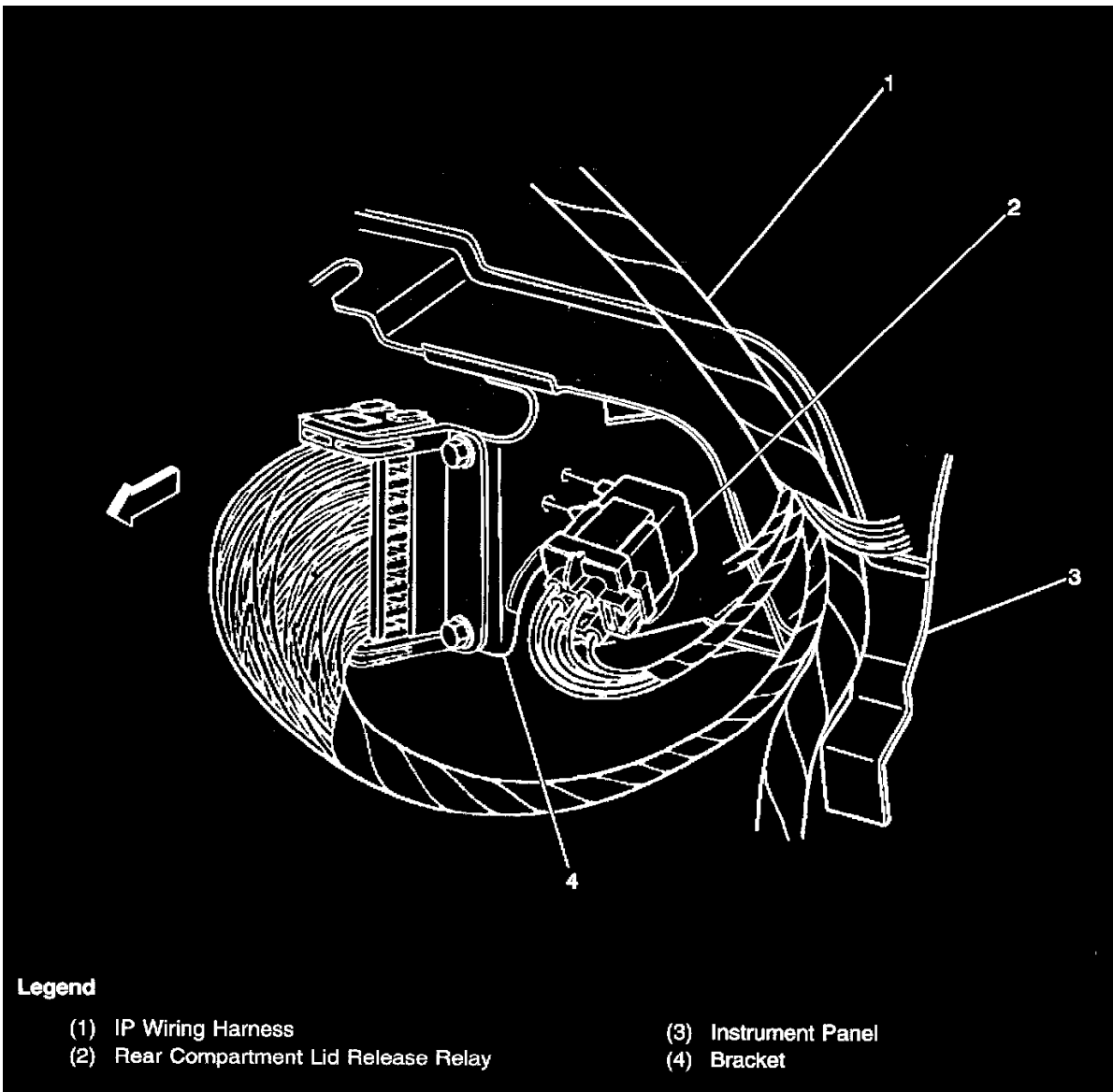
Locations View



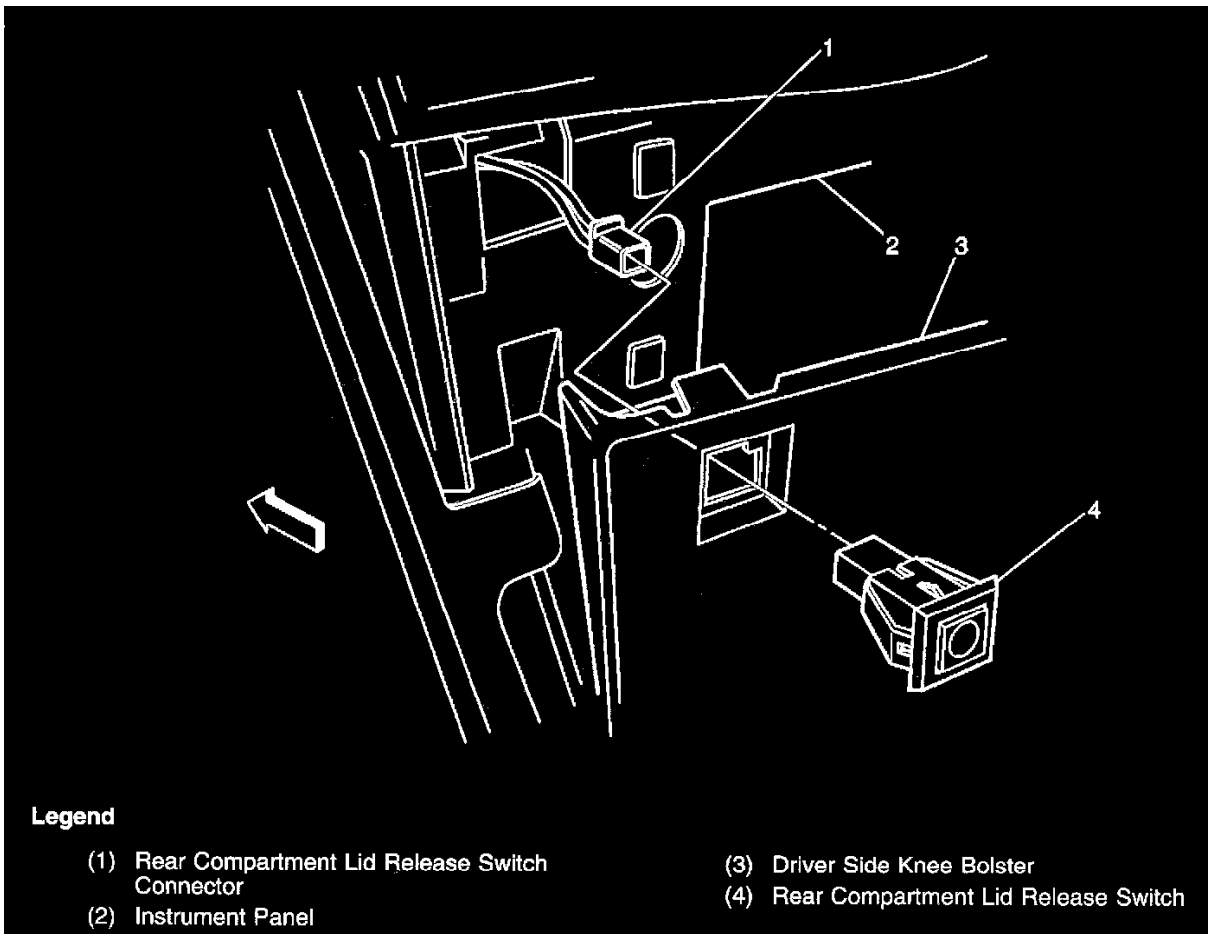
Locations View



Locations View

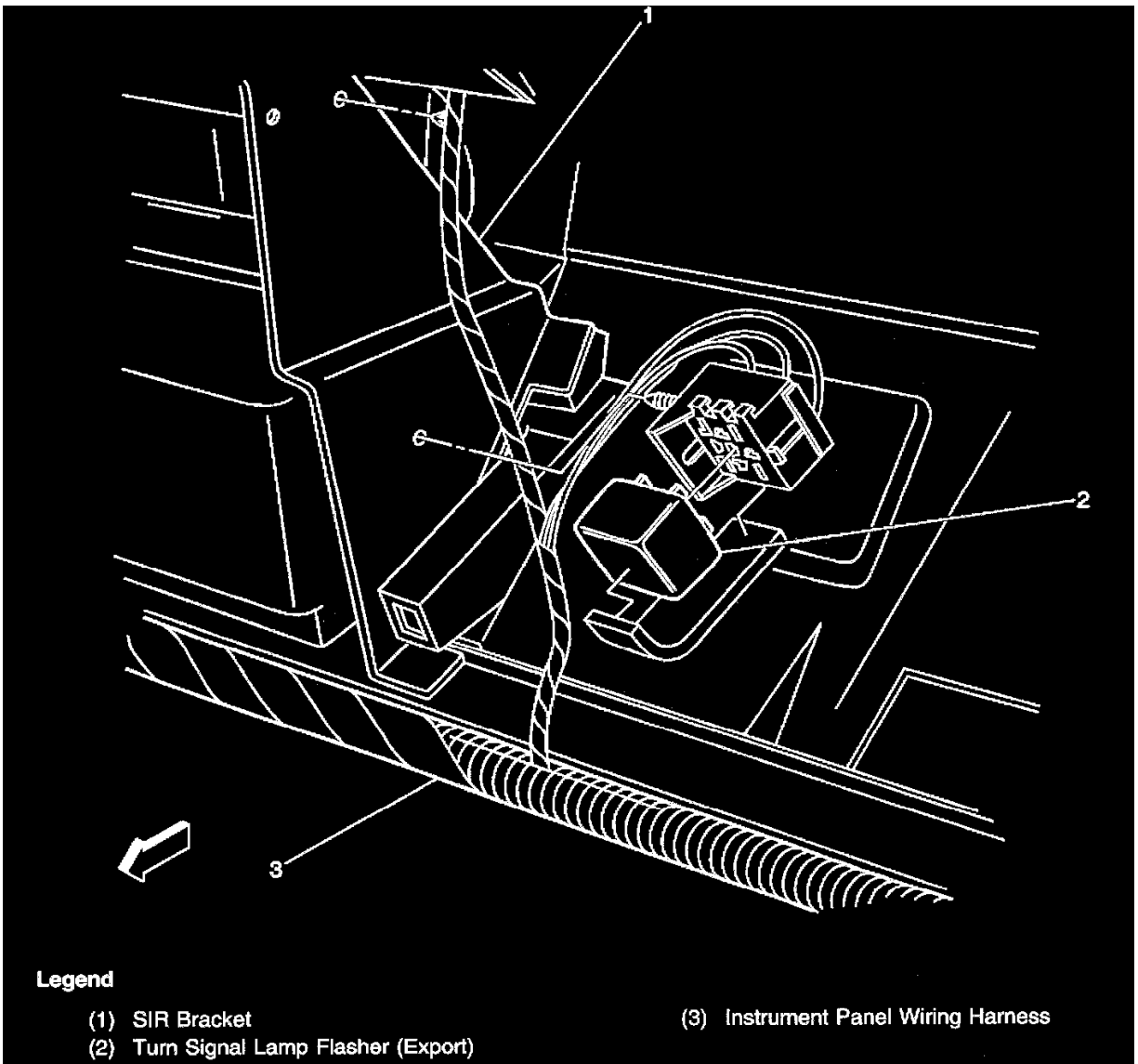


Locations View

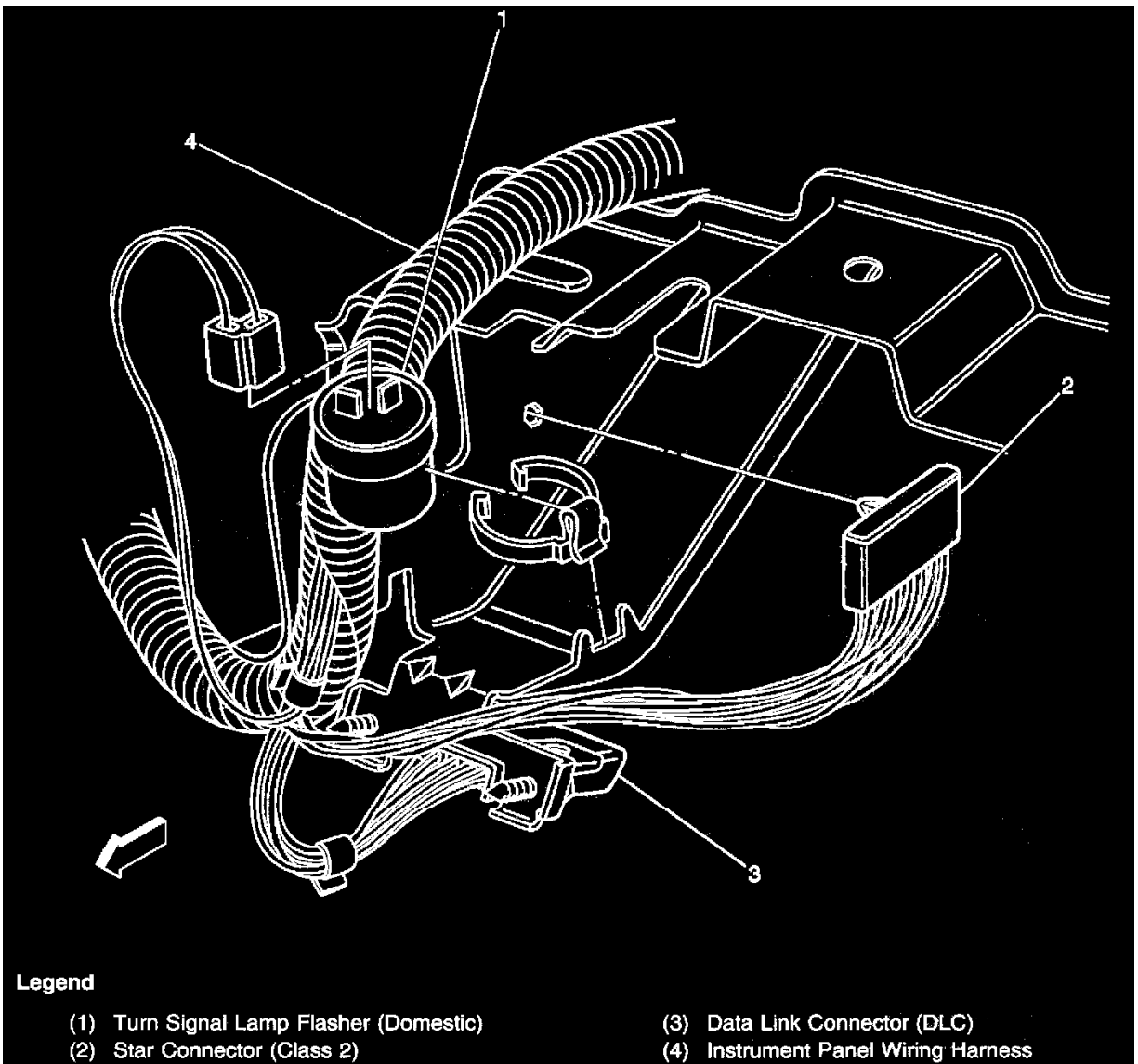


Locations View

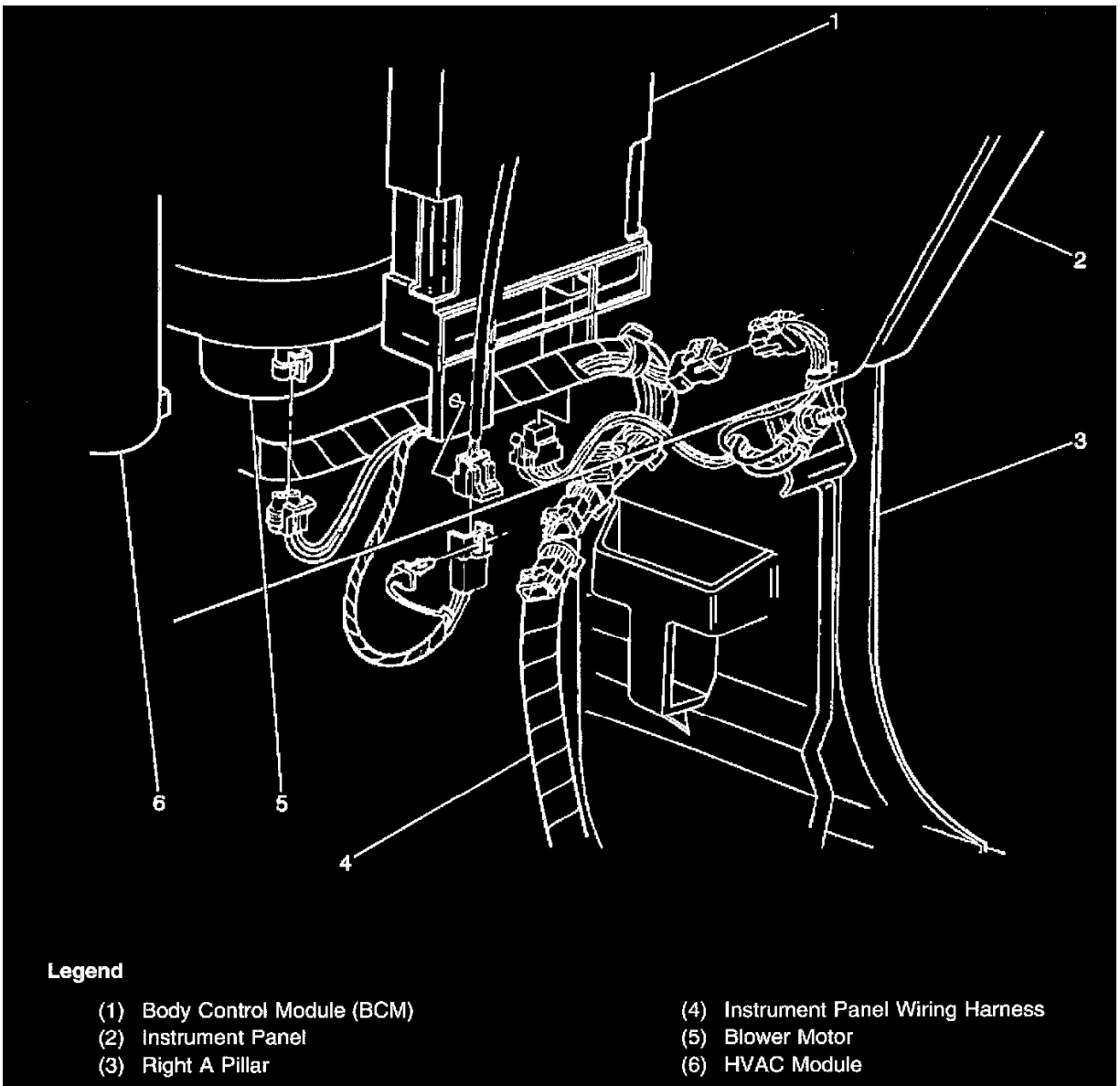
## Instrument Panel Wiring Harness



Locations View

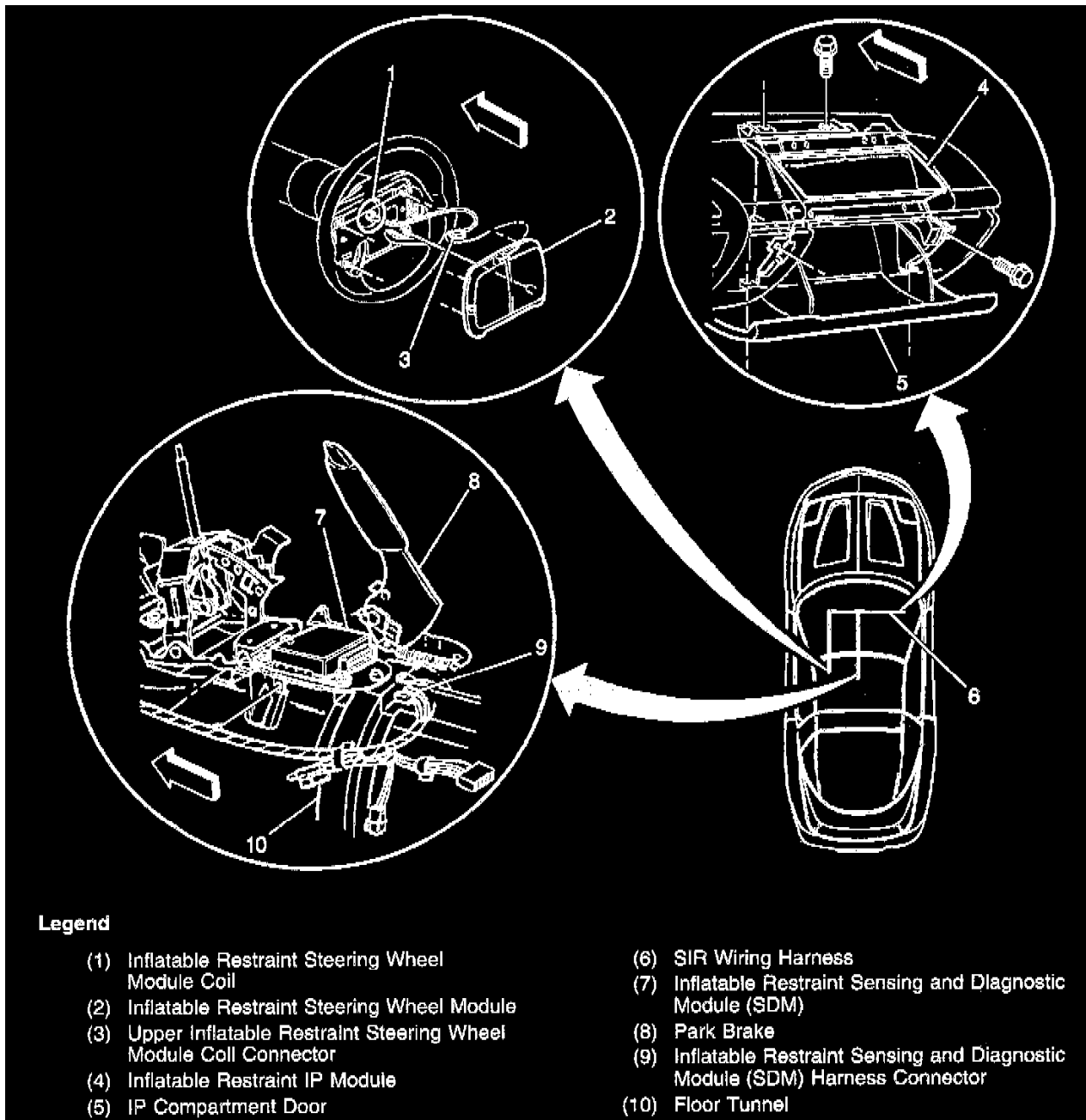


Locations View



Locations View

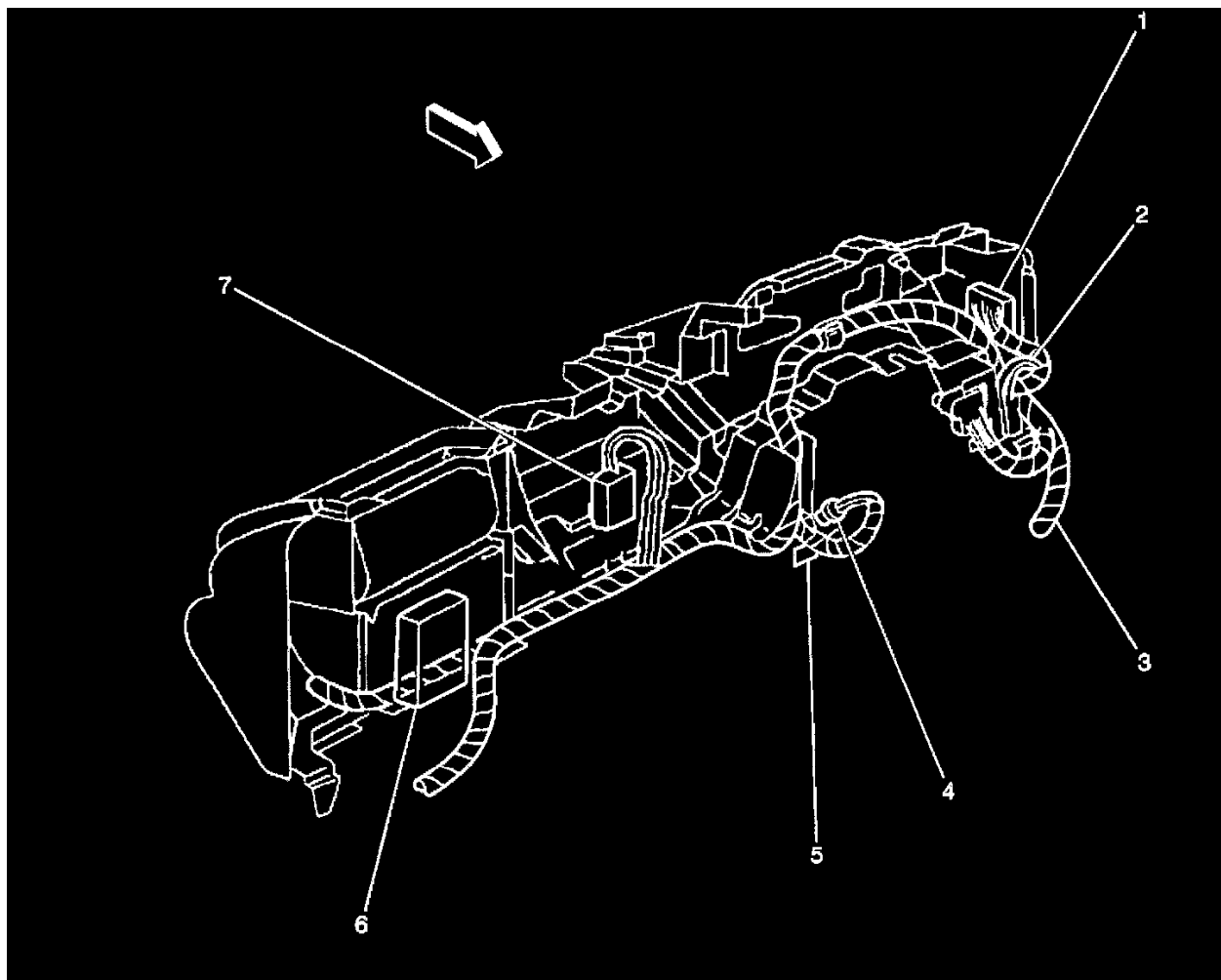




Locations View

**IP Fuse Block**

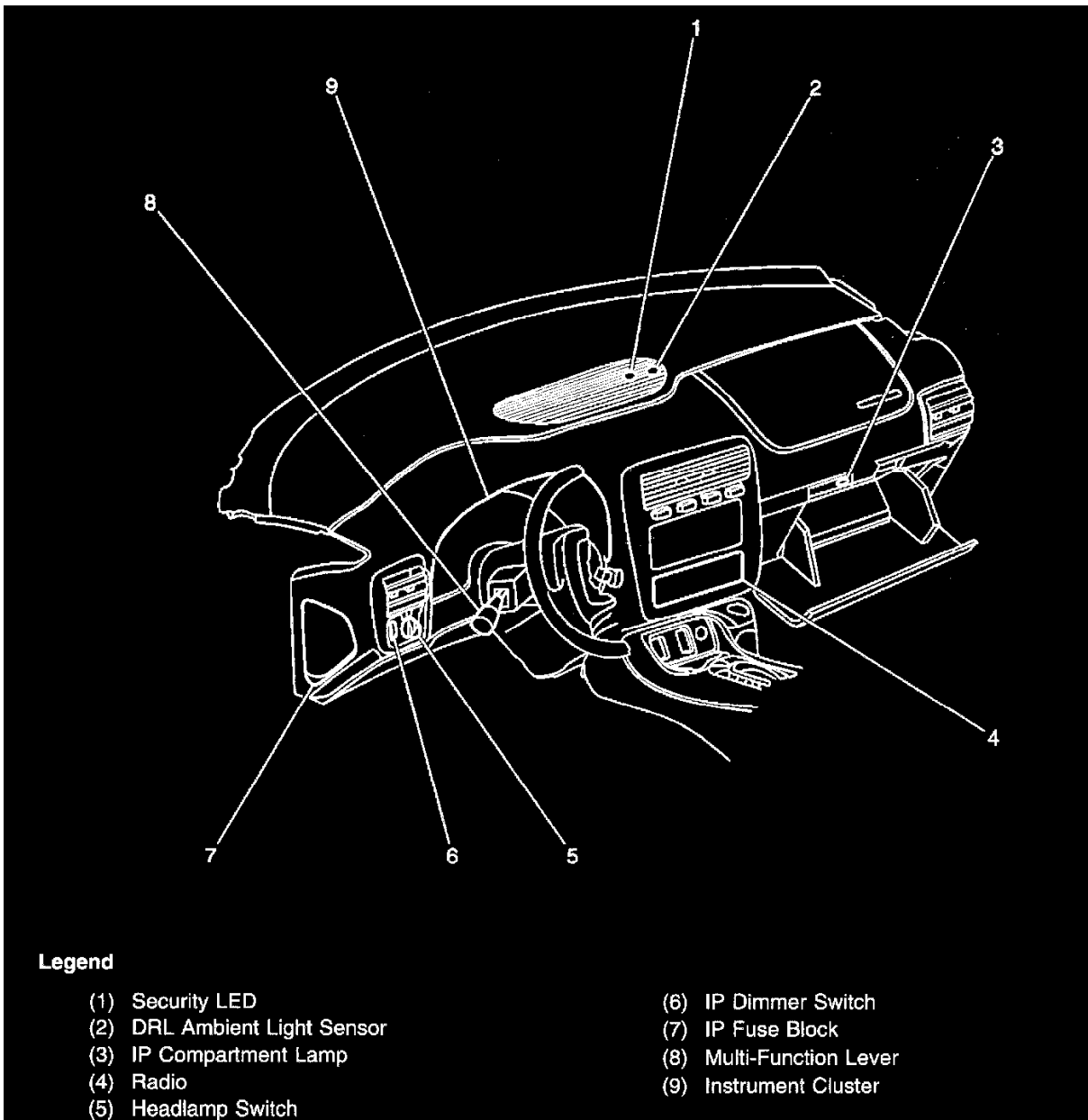
FUSE BLOCK I/P



**Legend**

- |                              |  |
|------------------------------|--|
| (1) IP Fuse Block            | (5) Data Link Connector (DLC)          |
| (2) Hazard Lamp Flasher      | (6) Body Control Module (BCM)          |
| (3) IP Wiring Harness        | (7) Daytime Running Lamps (DRL) Module |
| (4) Turn Signal Lamp Flasher |  |

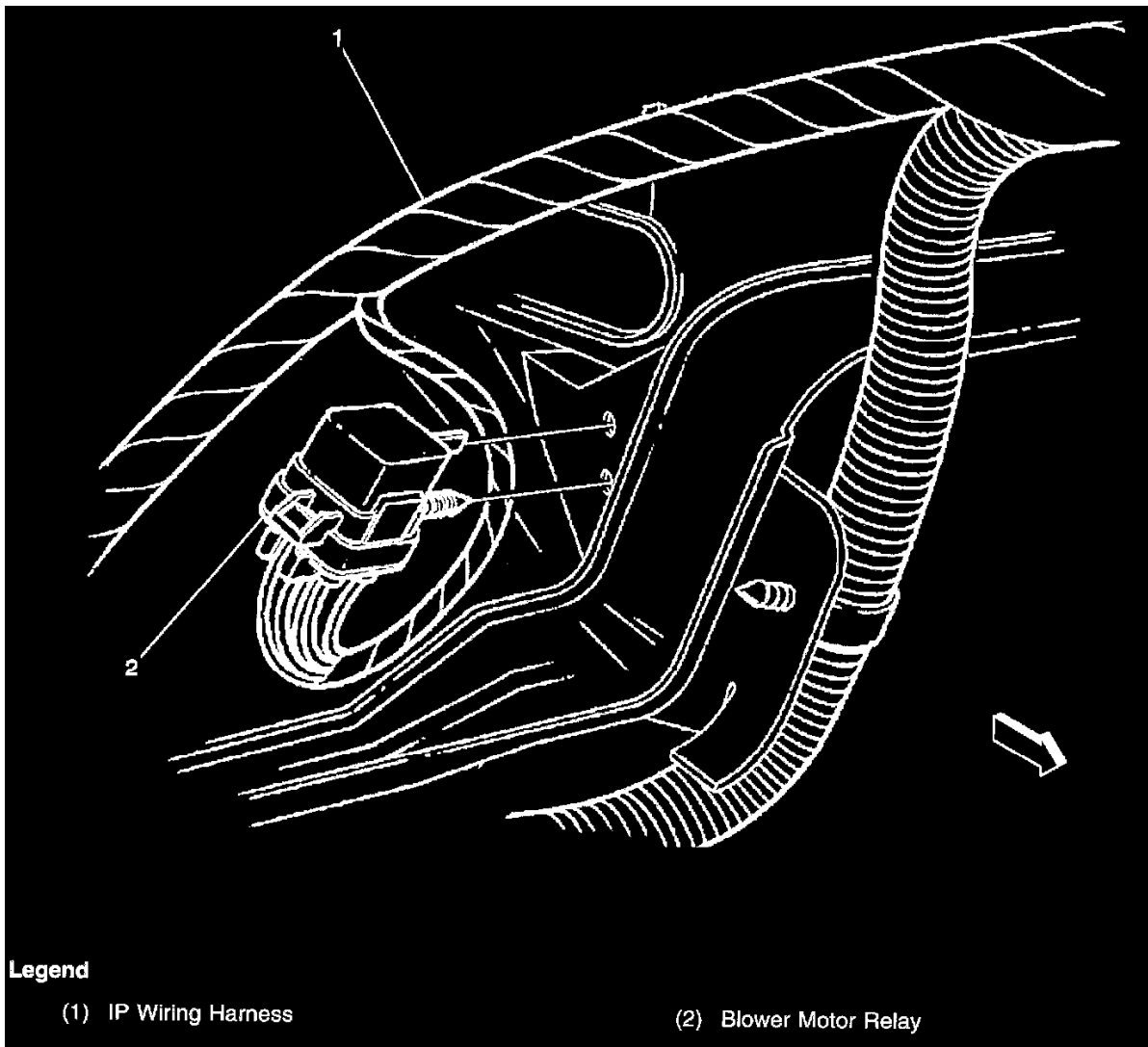
**Locations View**



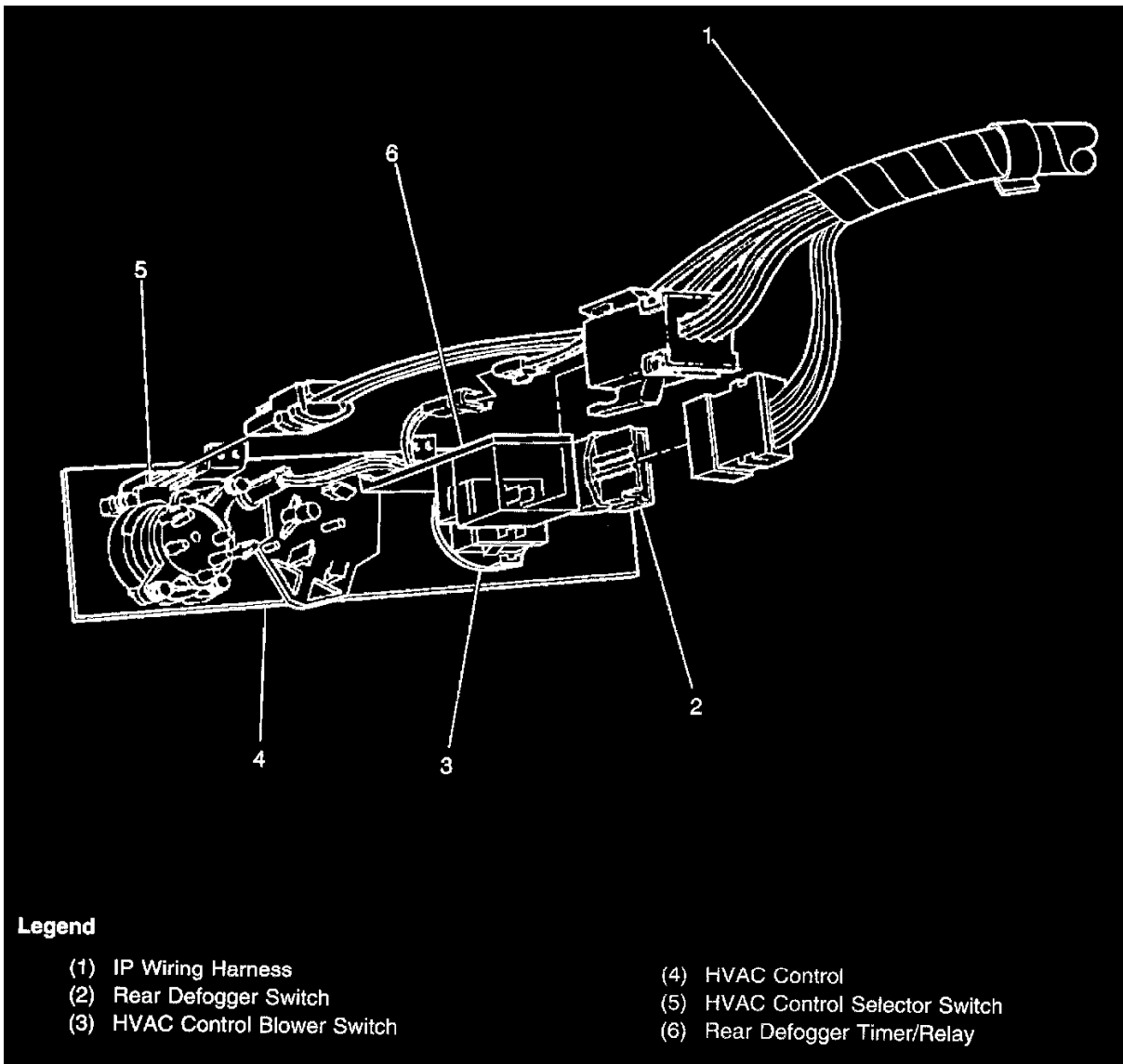
Locations View

On the left end of the IP carrier.

## IP Wiring Harness



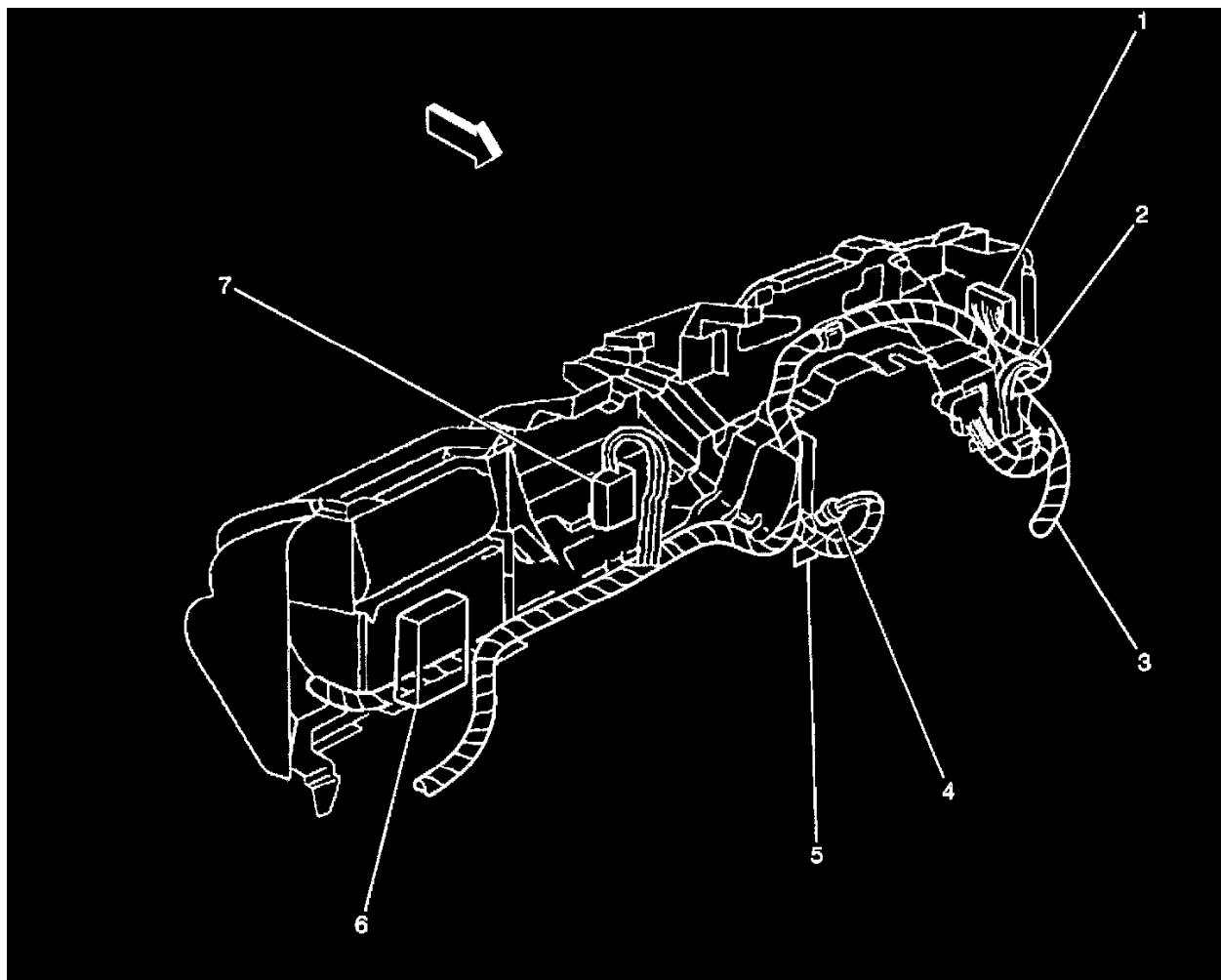
Locations View



**Legend**

- (1) IP Wiring Harness
- (2) Rear Defogger Switch
- (3) HVAC Control Blower Switch
- (4) HVAC Control
- (5) HVAC Control Selector Switch
- (6) Rear Defogger Timer/Relay

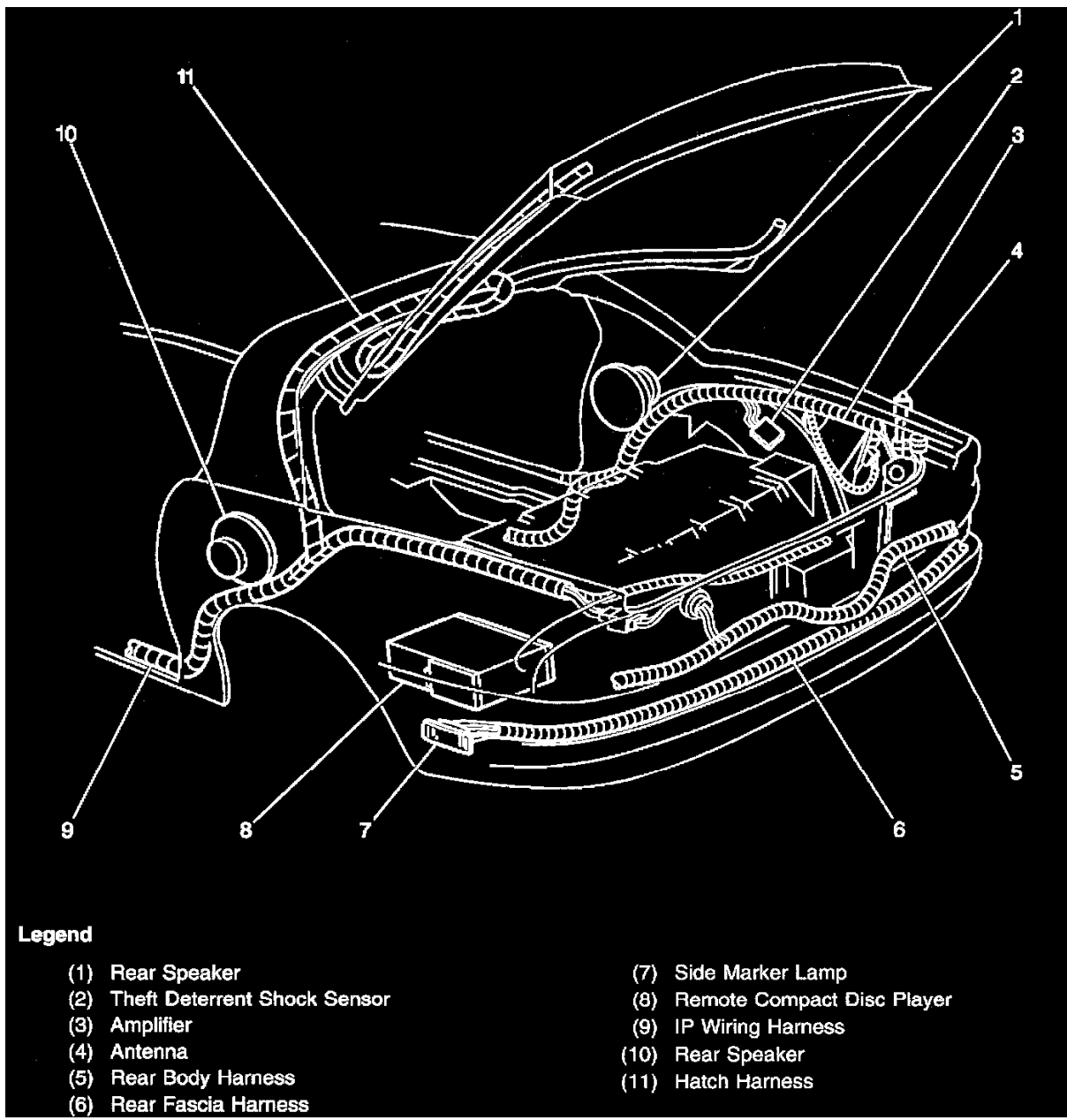
**Locations View**



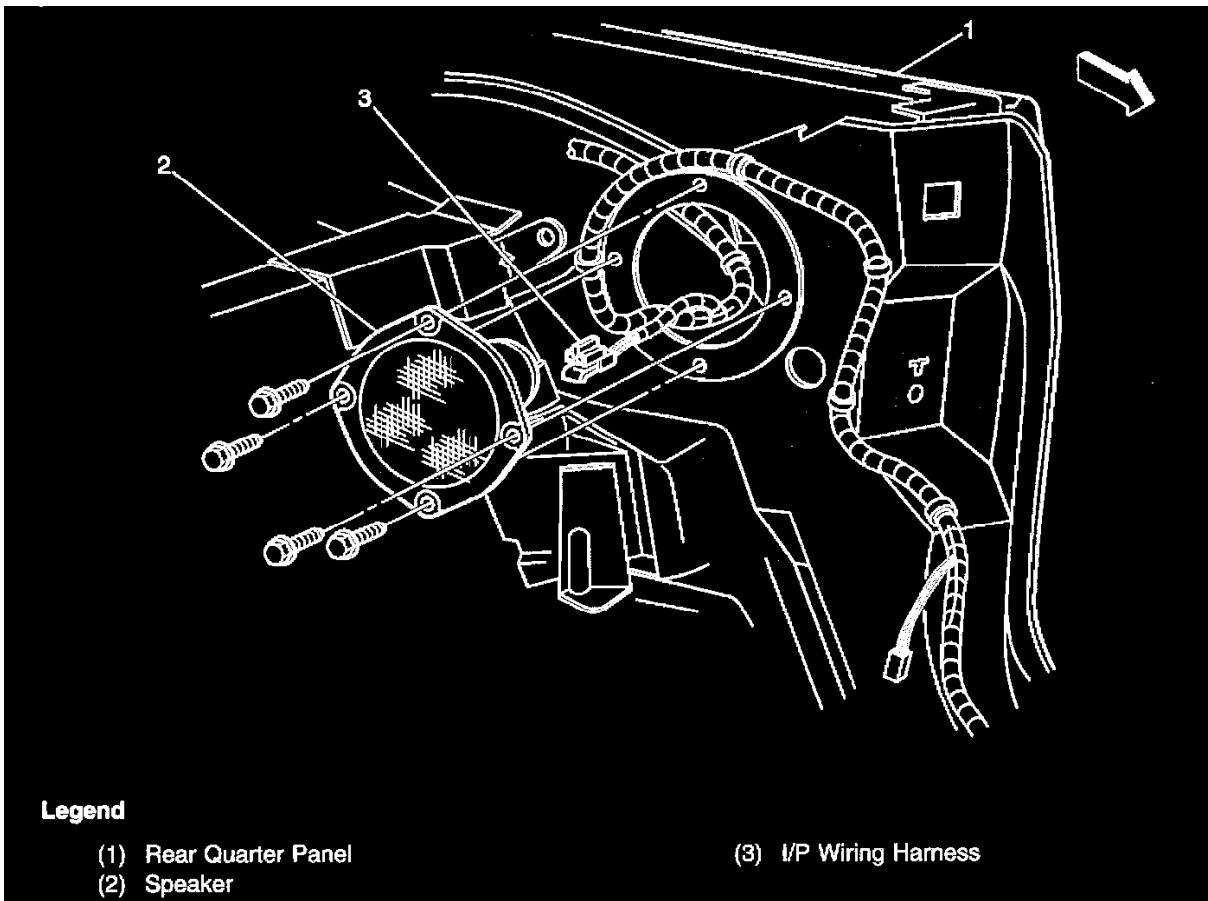
**Legend**

- |                              |  |
|------------------------------|--|
| (1) IP Fuse Block            | (5) Data Link Connector (DLC)          |
| (2) Hazard Lamp Flasher      | (6) Body Control Module (BCM)          |
| (3) IP Wiring Harness        | (7) Daytime Running Lamps (DRL) Module |
| (4) Turn Signal Lamp Flasher |  |

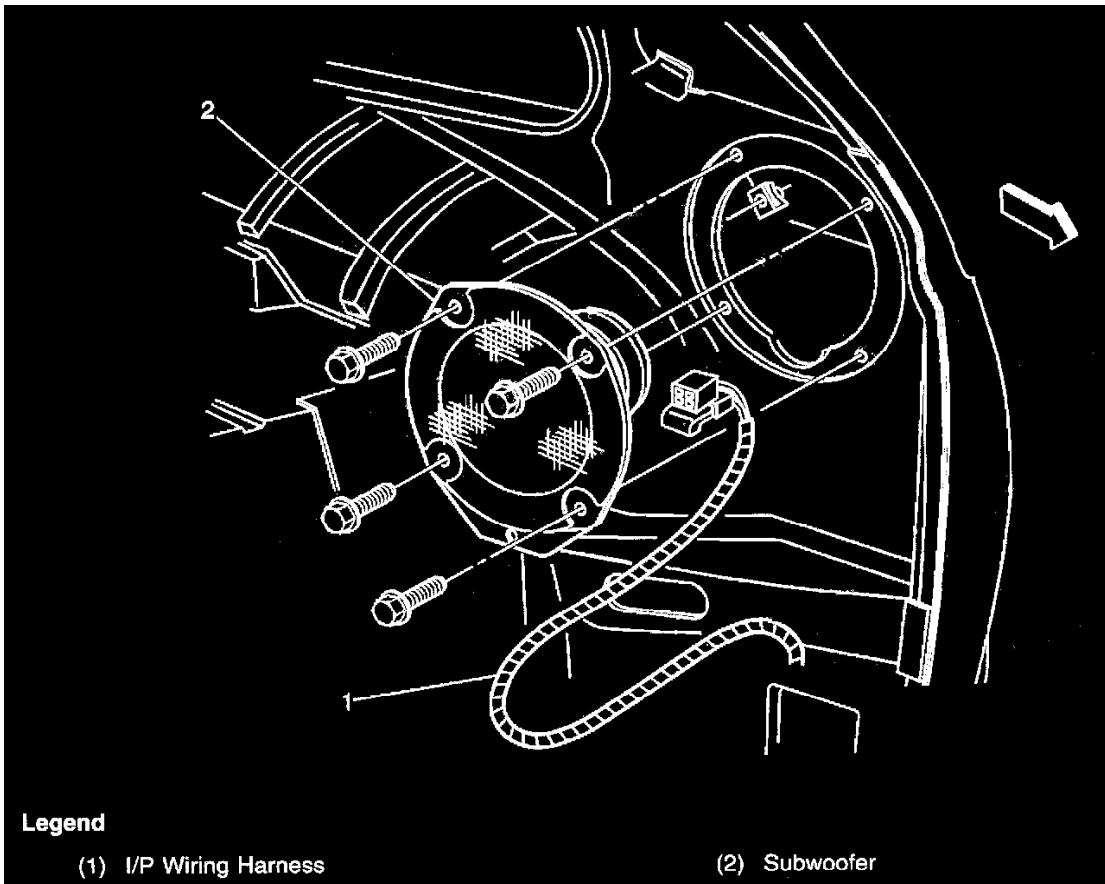
**Locations View**



Locations View

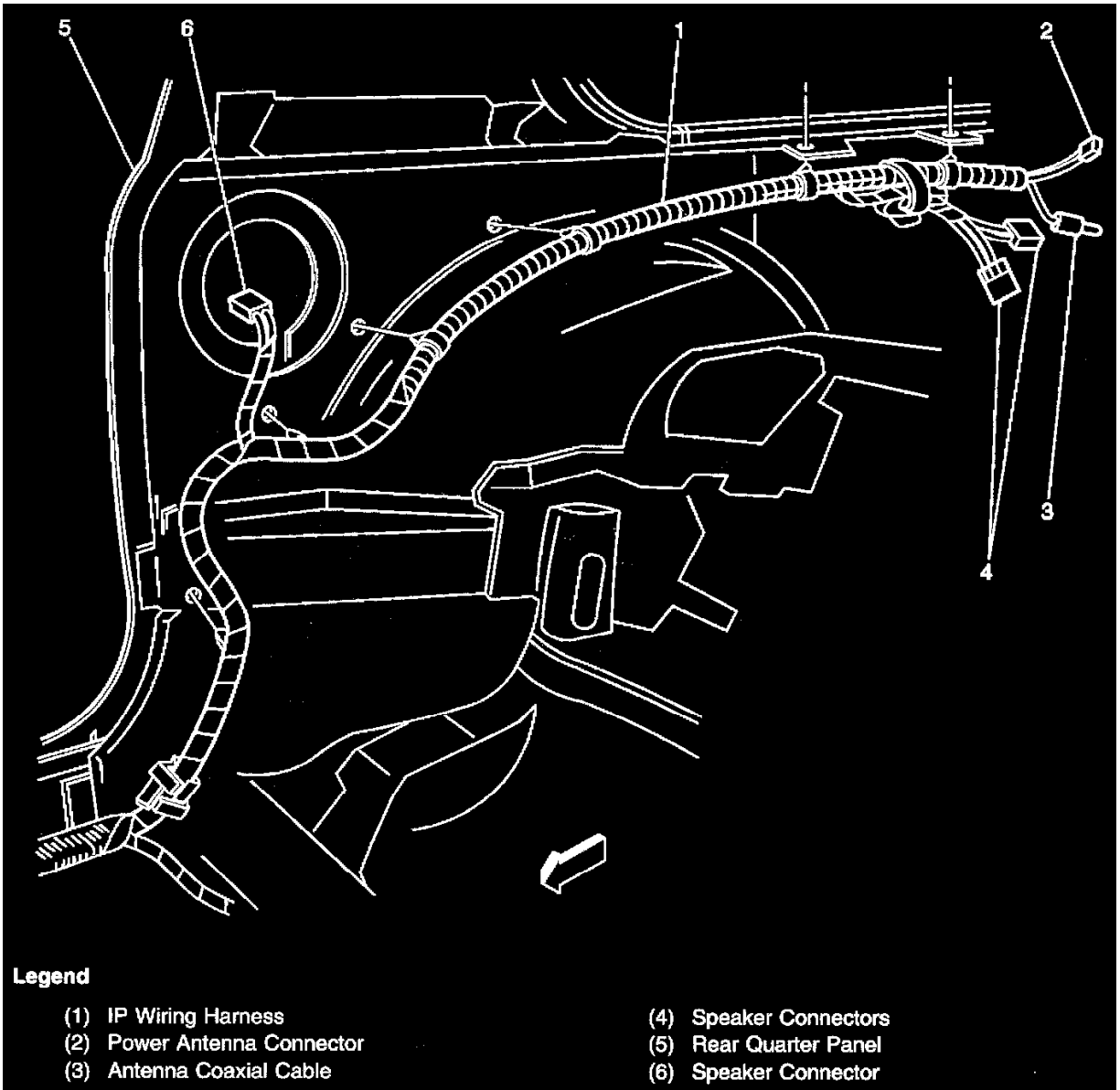


Locations View

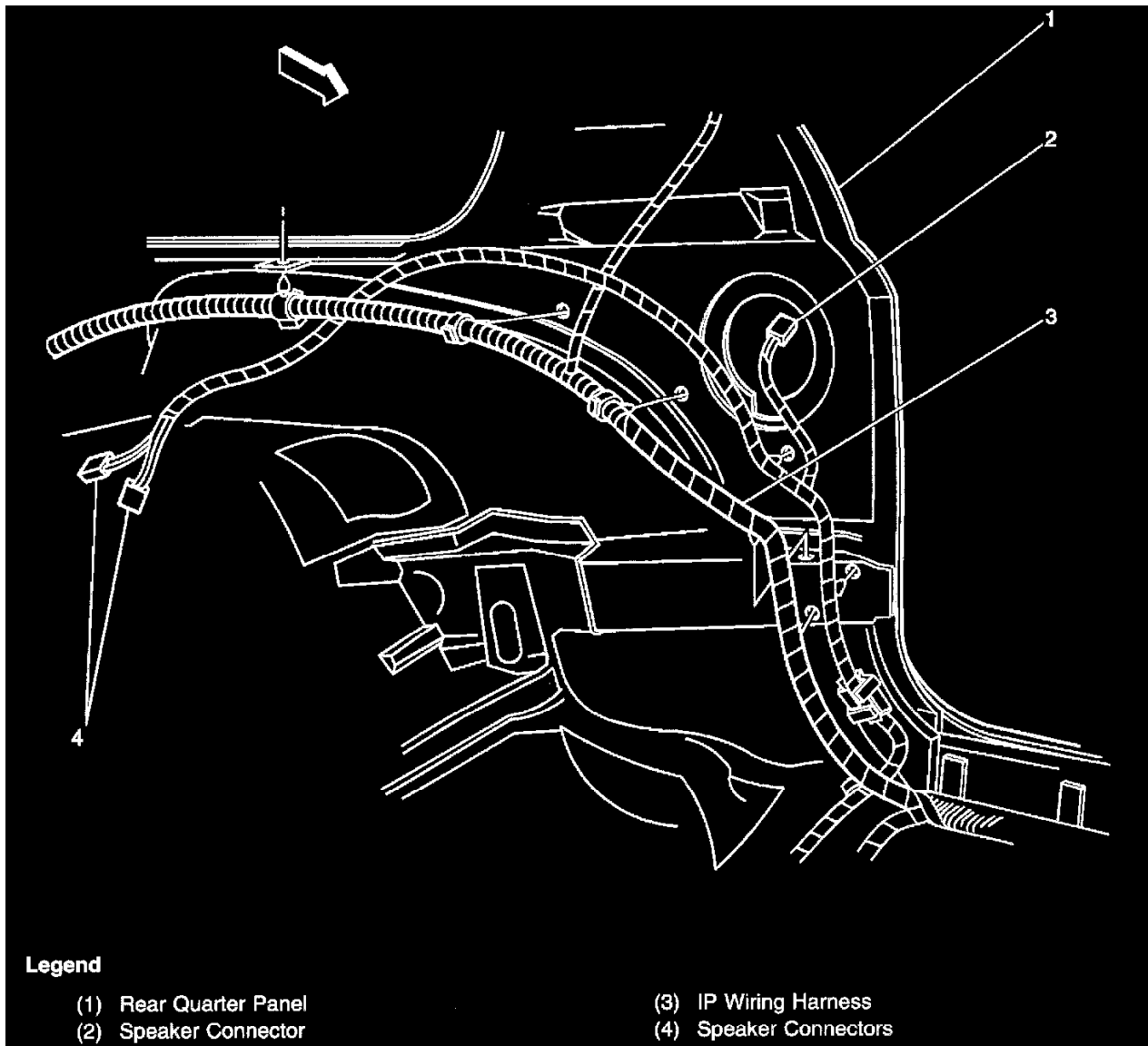


Locations View

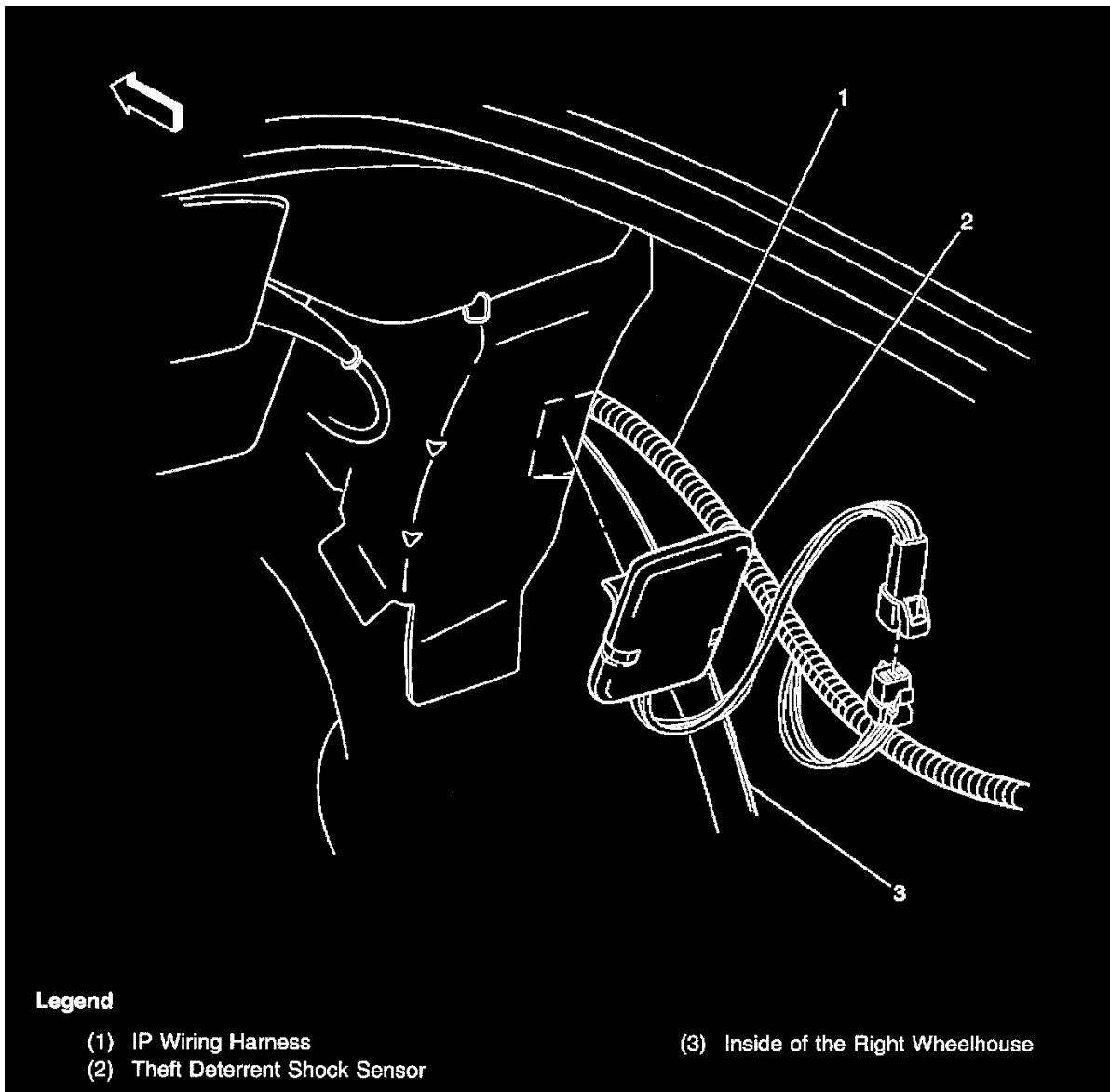




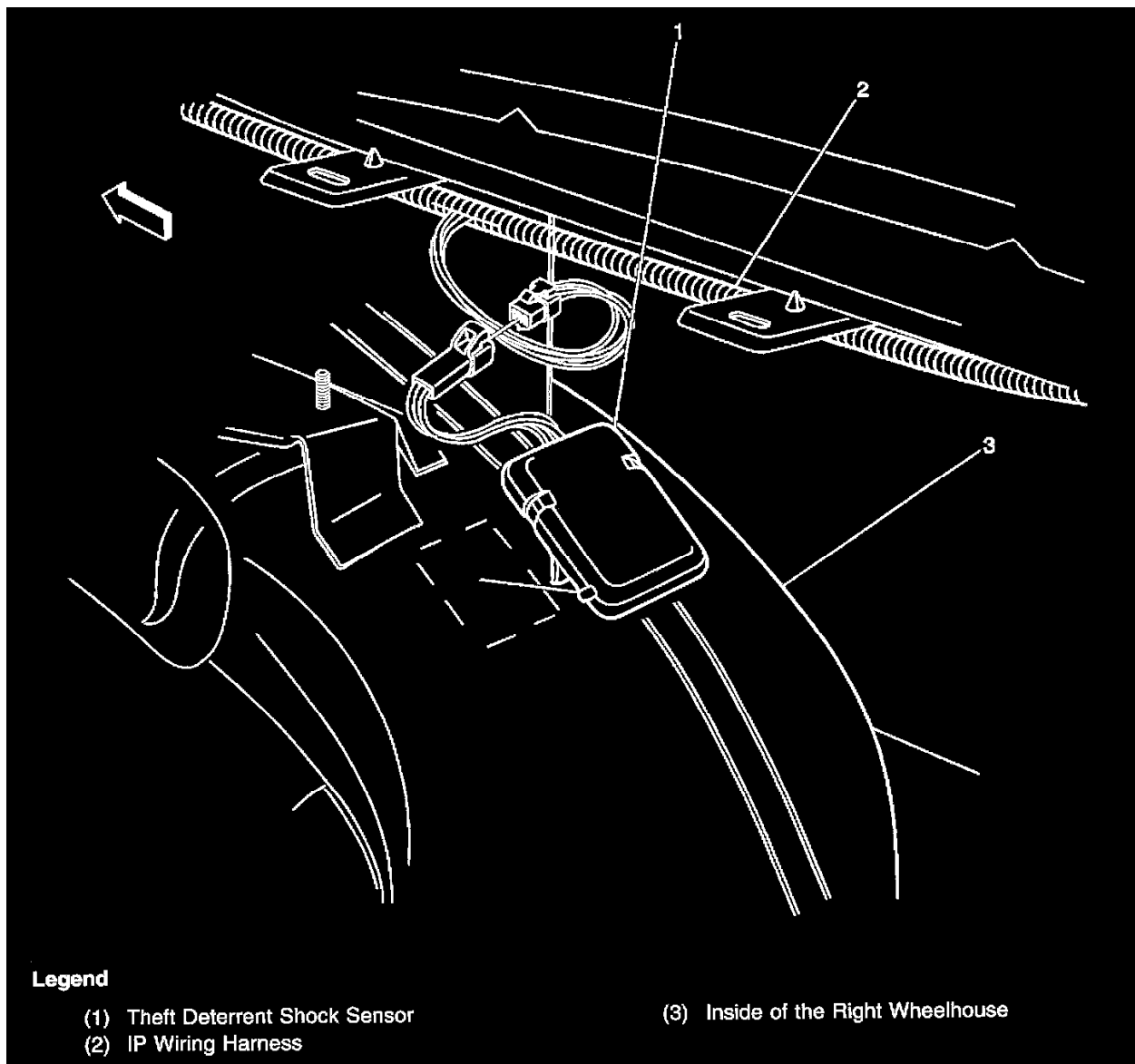
Locations View



Locations View



Locations View

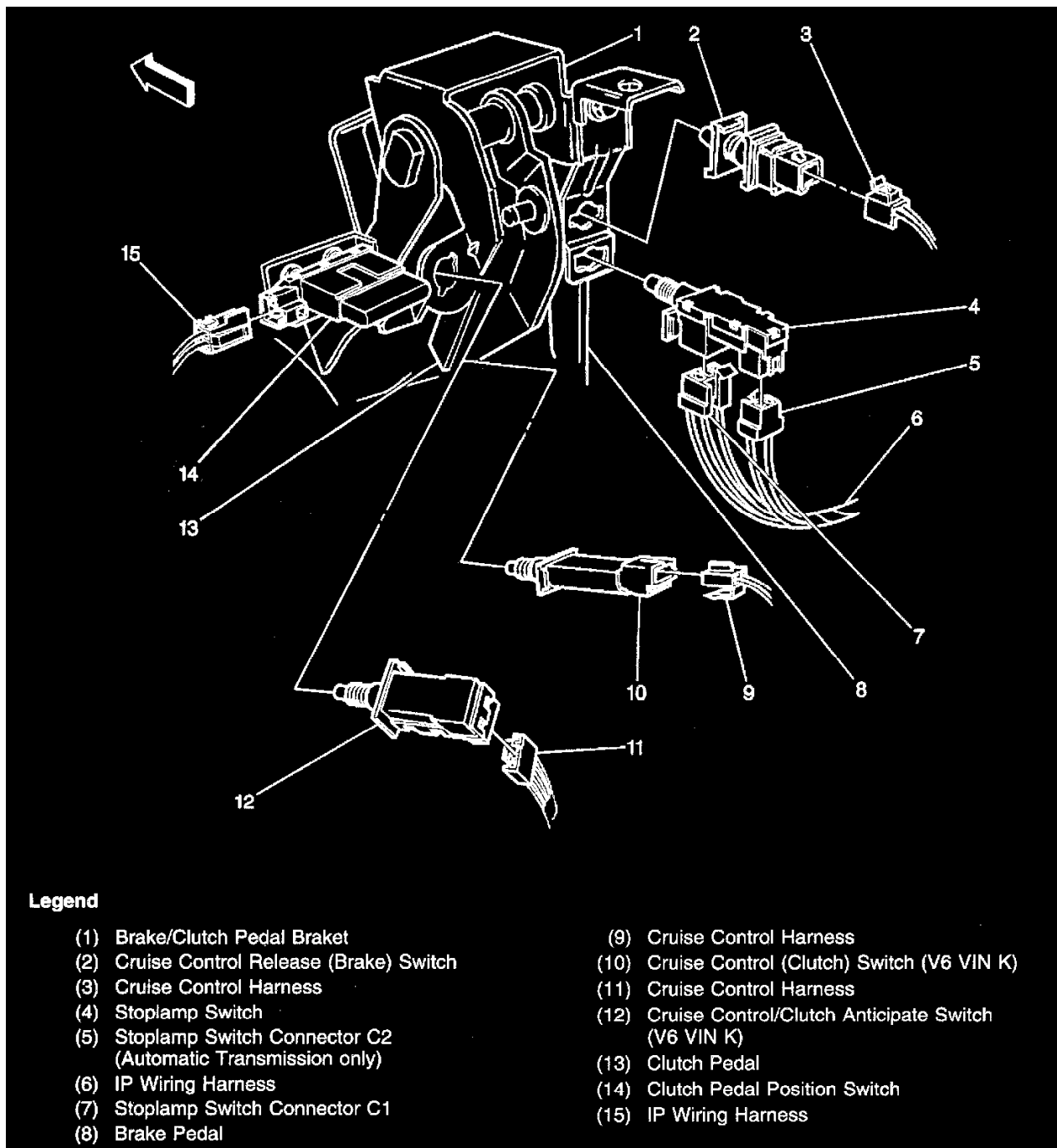


**Legend**

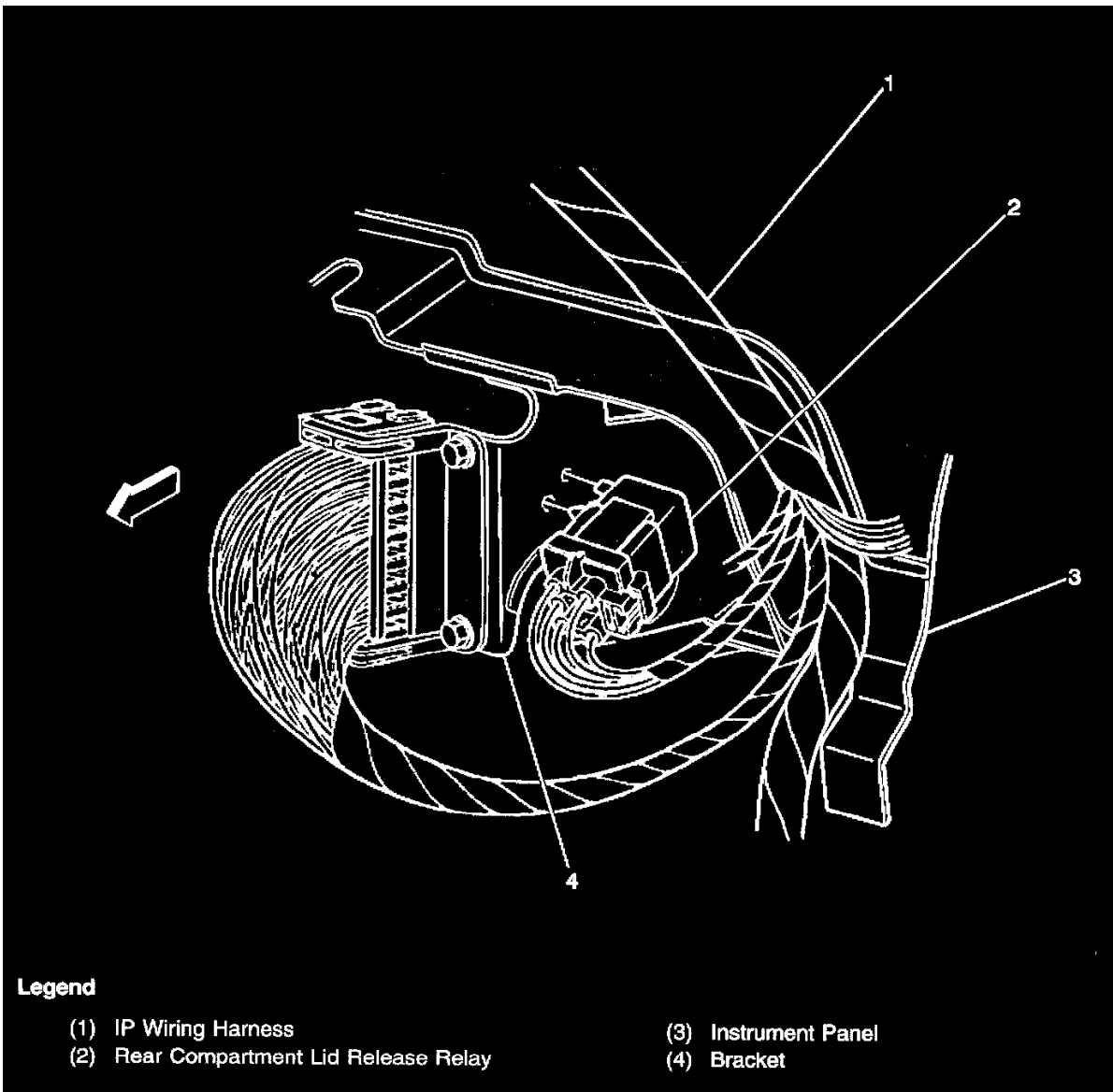
- (1) Theft Deterrent Shock Sensor
- (2) IP Wiring Harness

- (3) Inside of the Right Wheelhouse

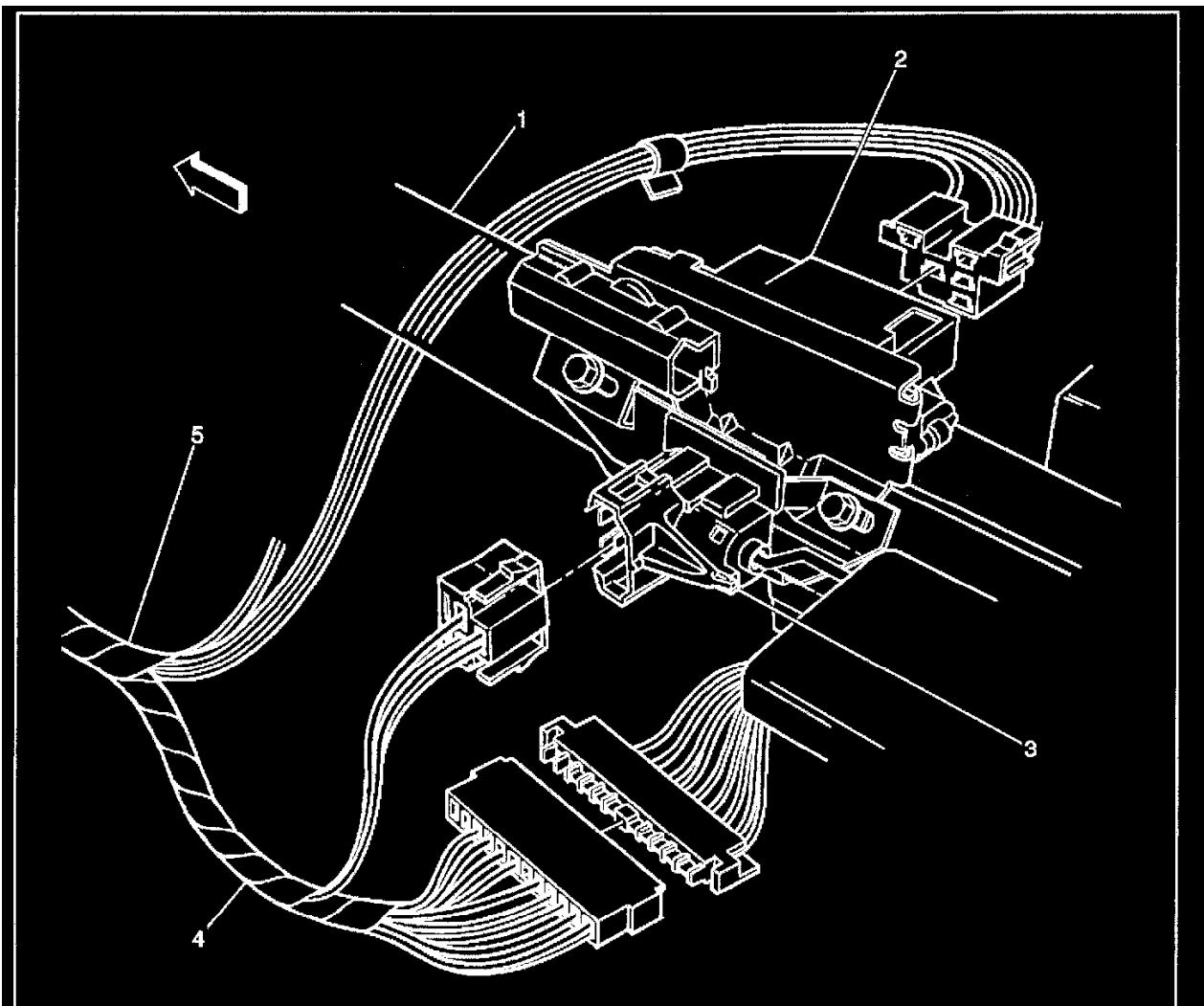
**Locations View**



Locations View



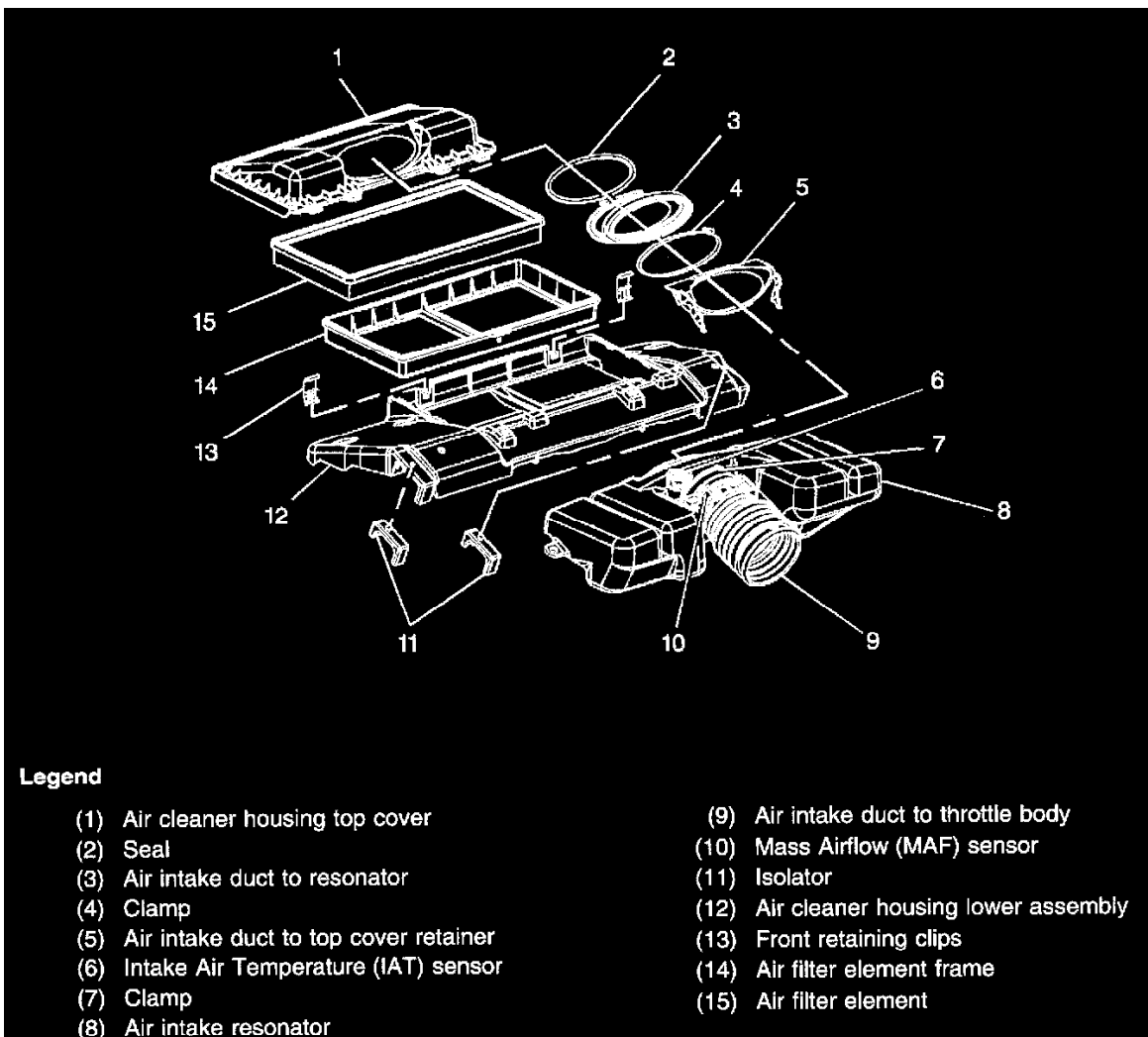
Locations View



**Legend**

- (1) Steering Column
- (2) Ignition Switch
- (3) Headlamp Dimmer Switch
- (4) Isolation Diode (Wipers)
- (5) Forward Lamp Harness

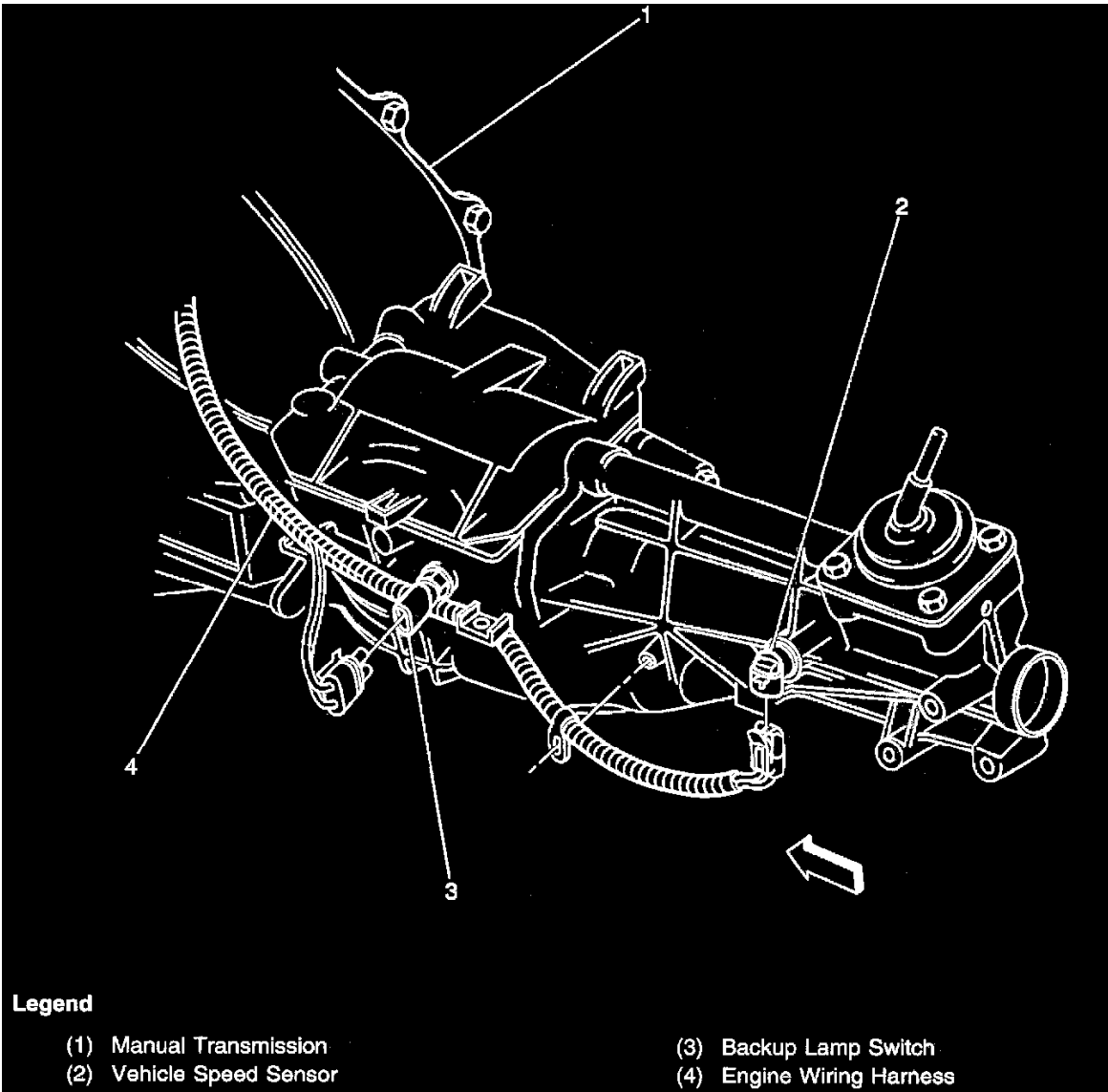
**Locations View - Base Of Steering Column**



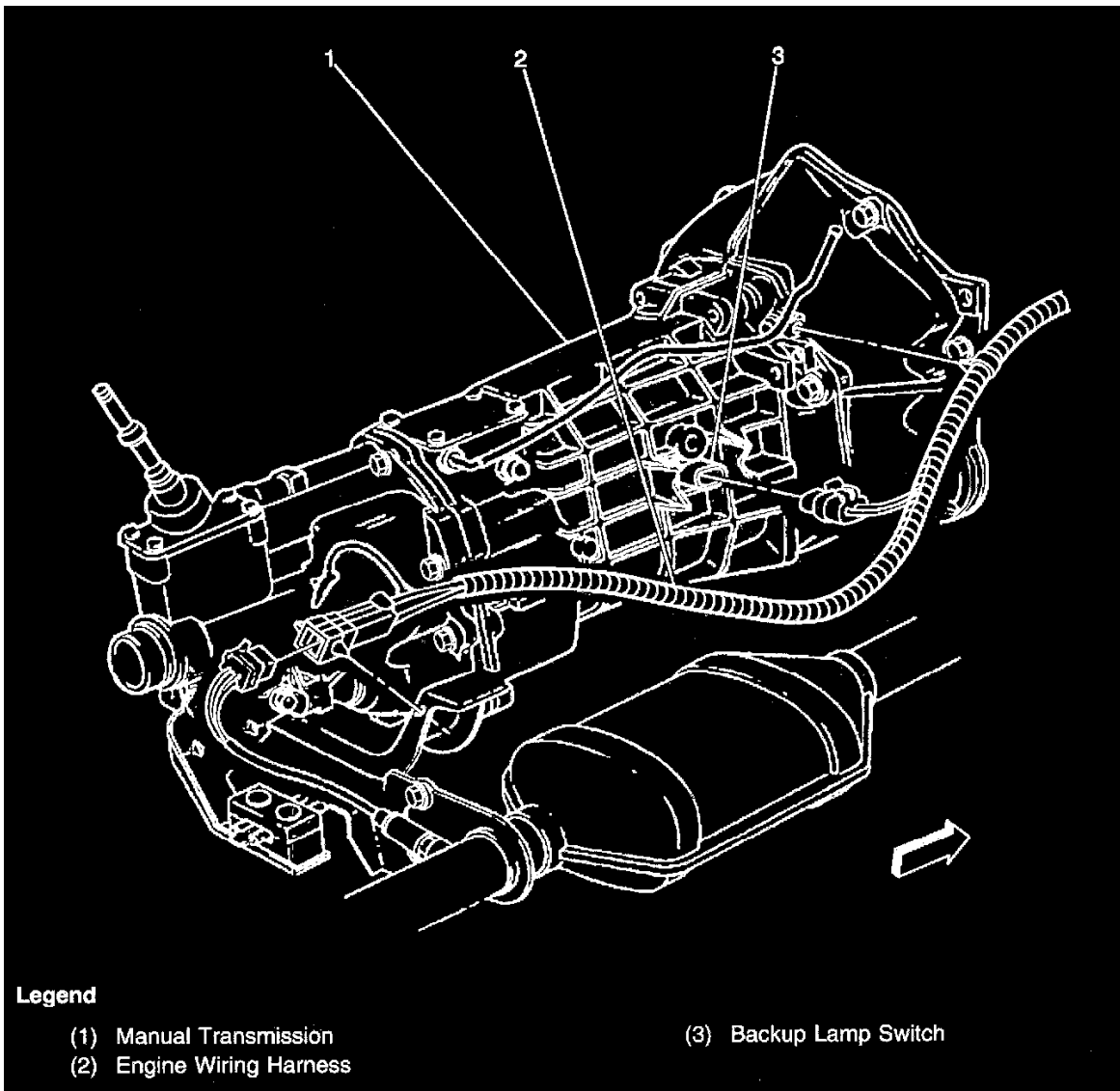
Locations View

**Manual Transmission**





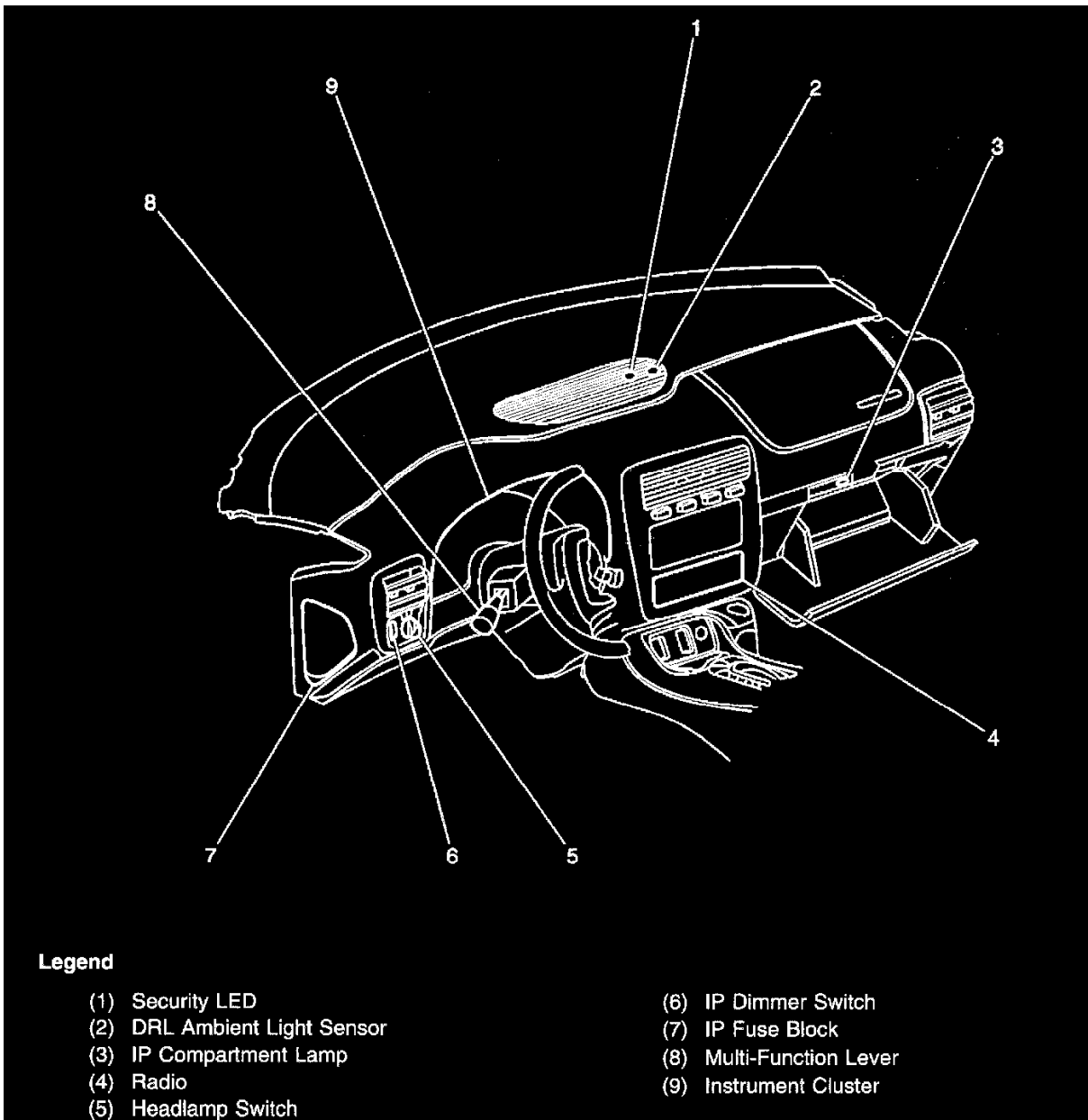
Locations View



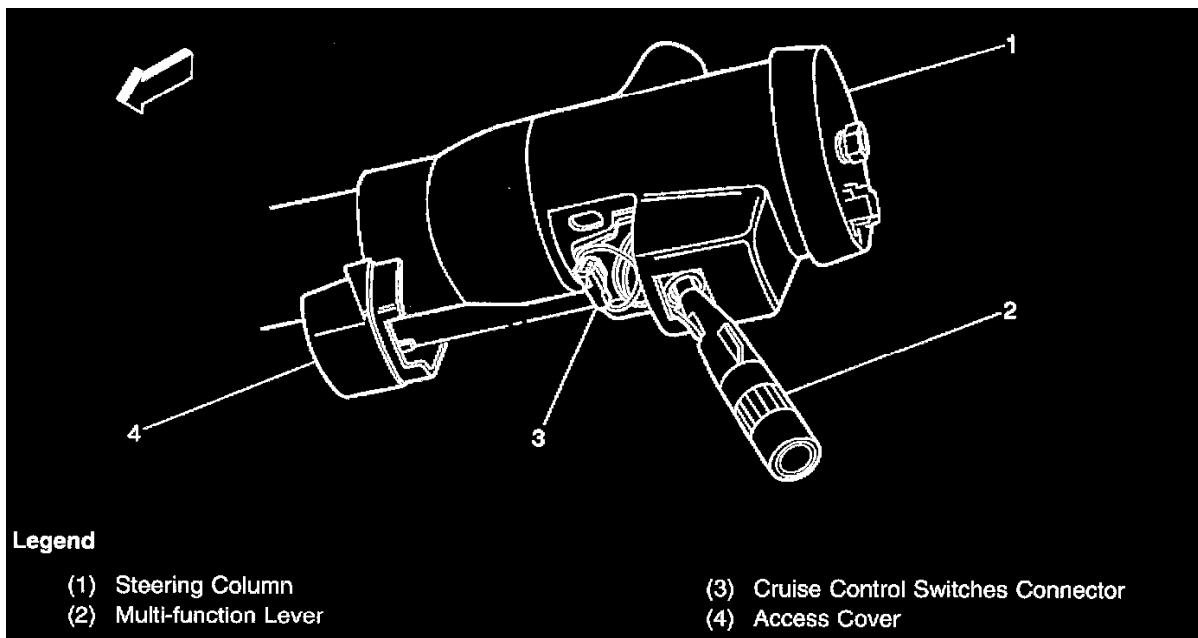
Locations View

Behind the engine

**Multi-function Lever**



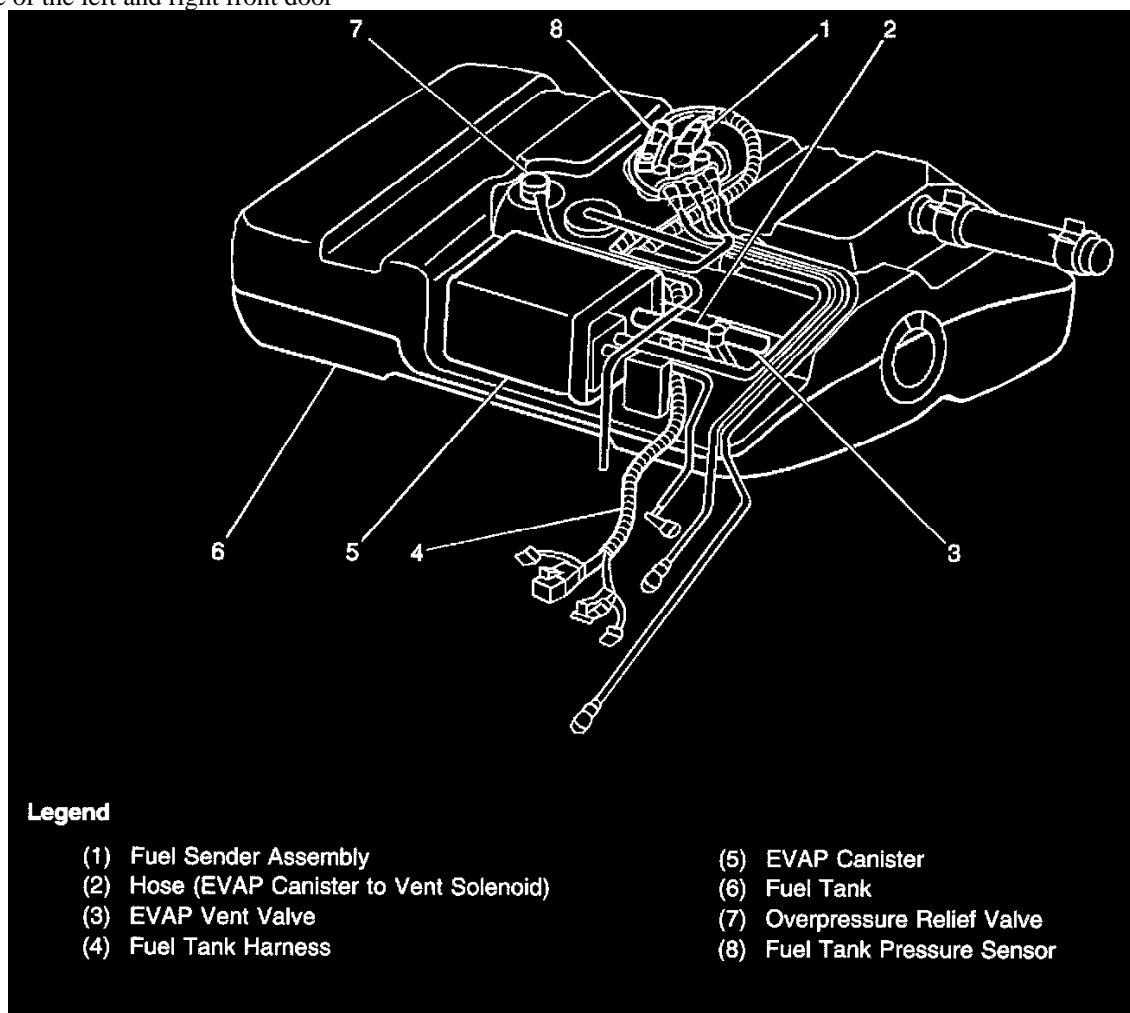
Locations View



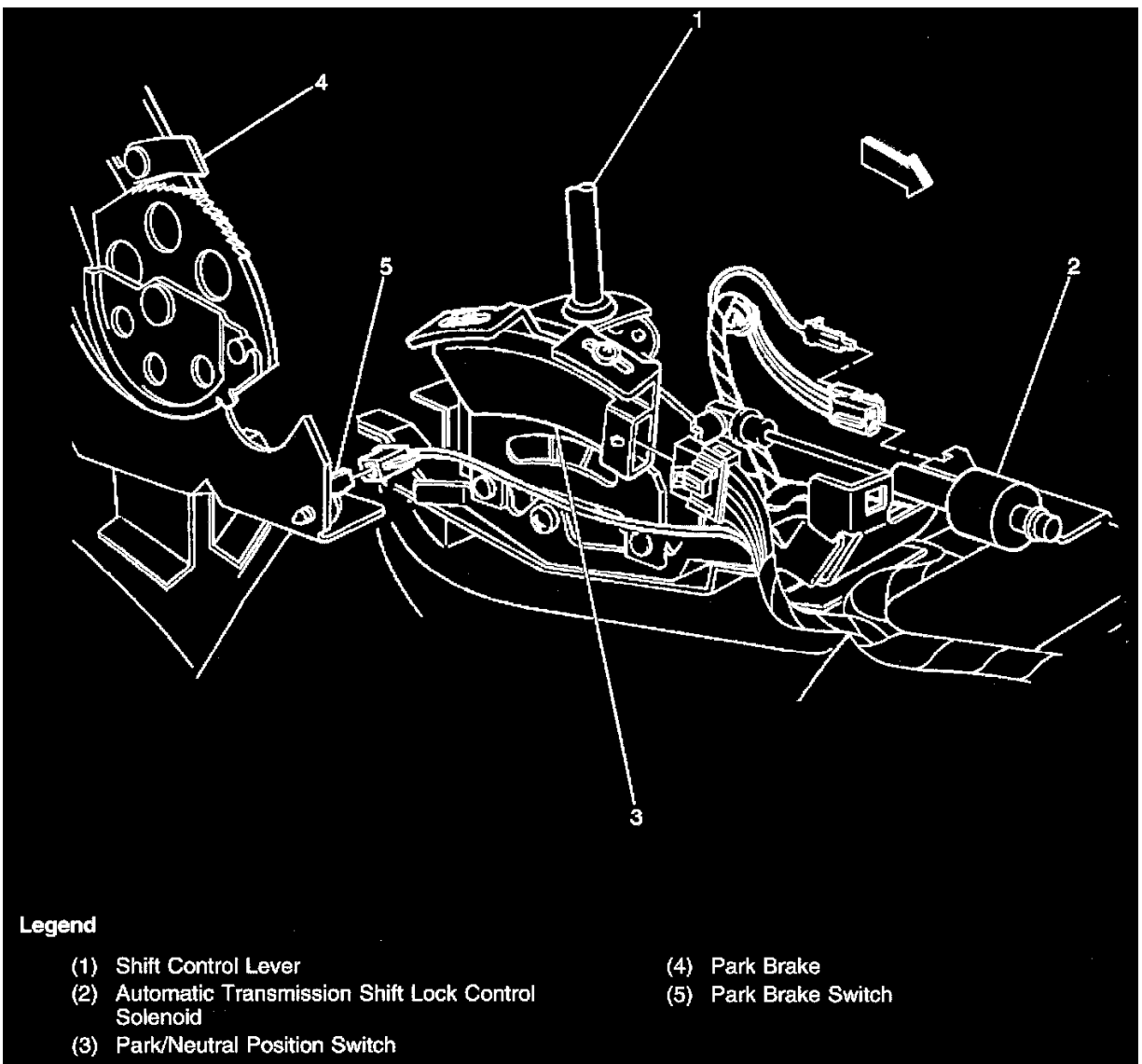
Locations View

## Outside Rearview Mirror

Mounted to the outside of the left and right front door



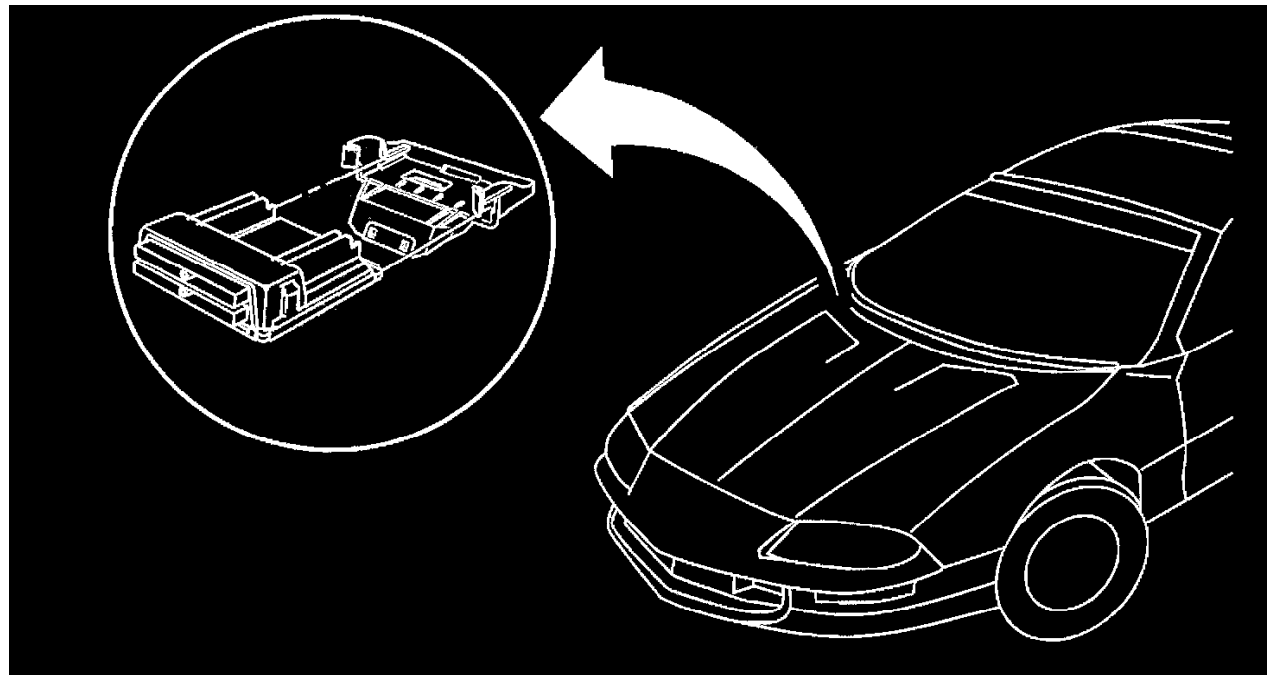
Locations View



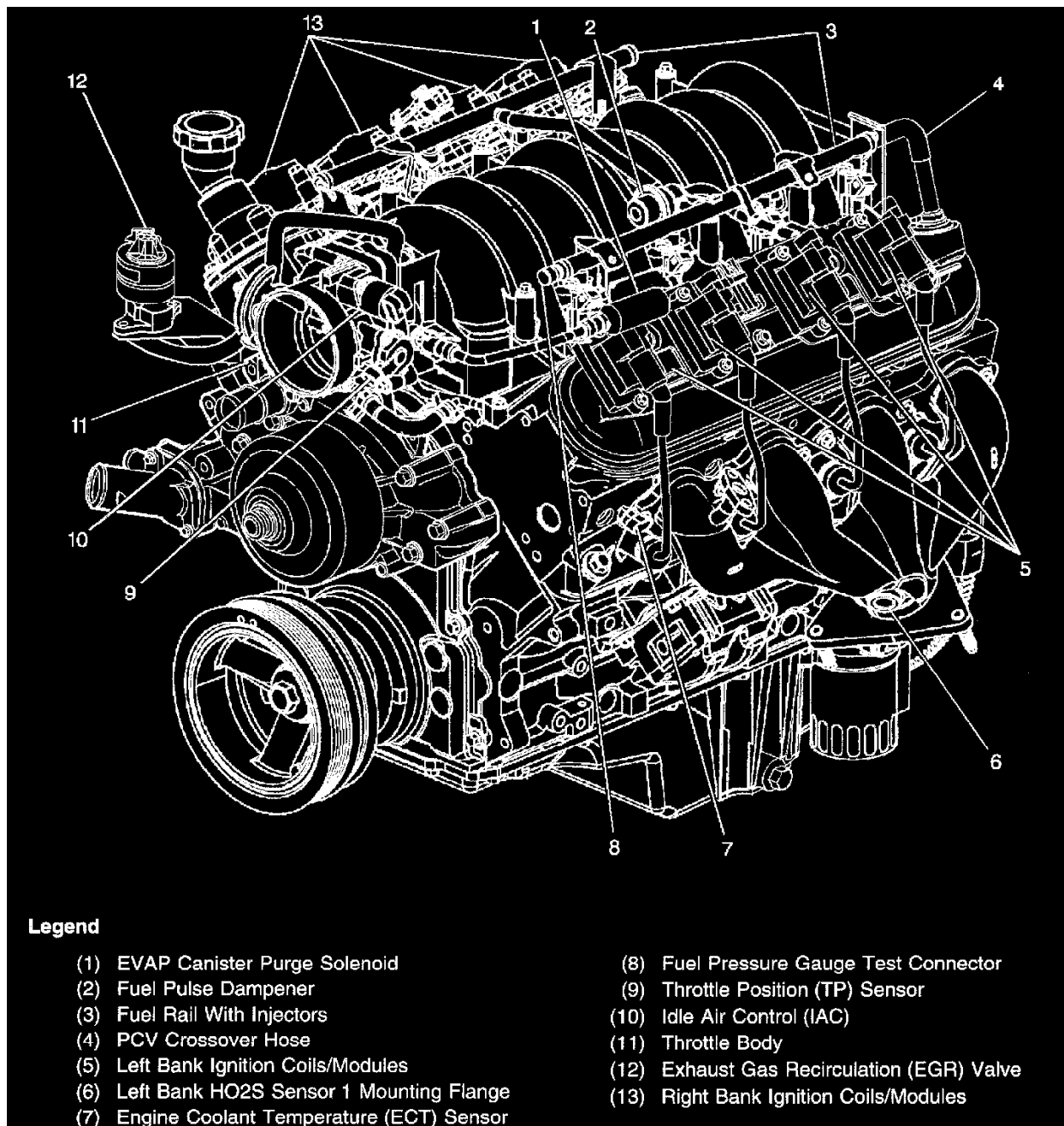
**Legend**

- (1) Shift Control Lever
- (2) Automatic Transmission Shift Lock Control Solenoid
- (3) Park/Neutral Position Switch
- (4) Park Brake
- (5) Park Brake Switch

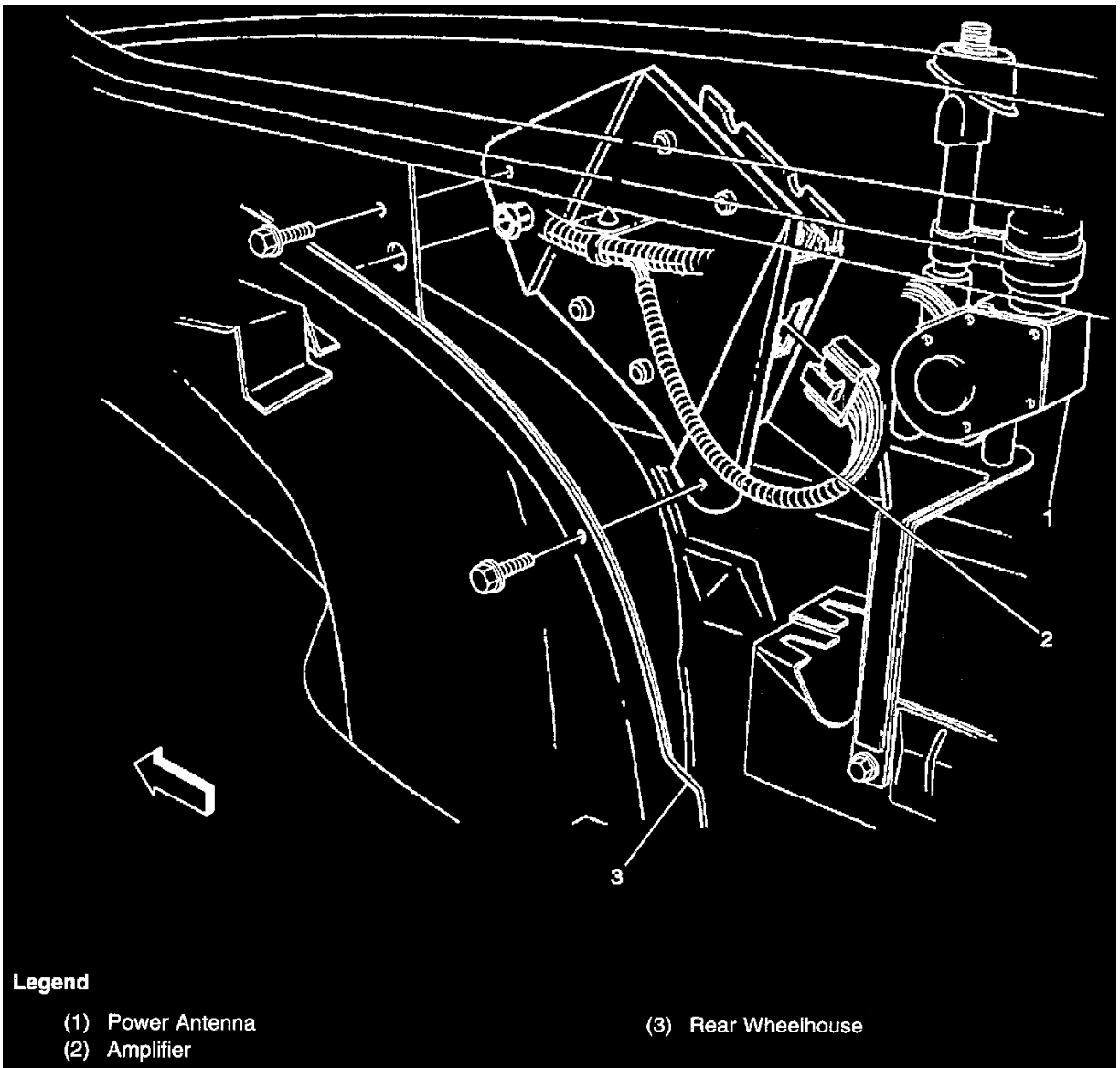
**Locations View**



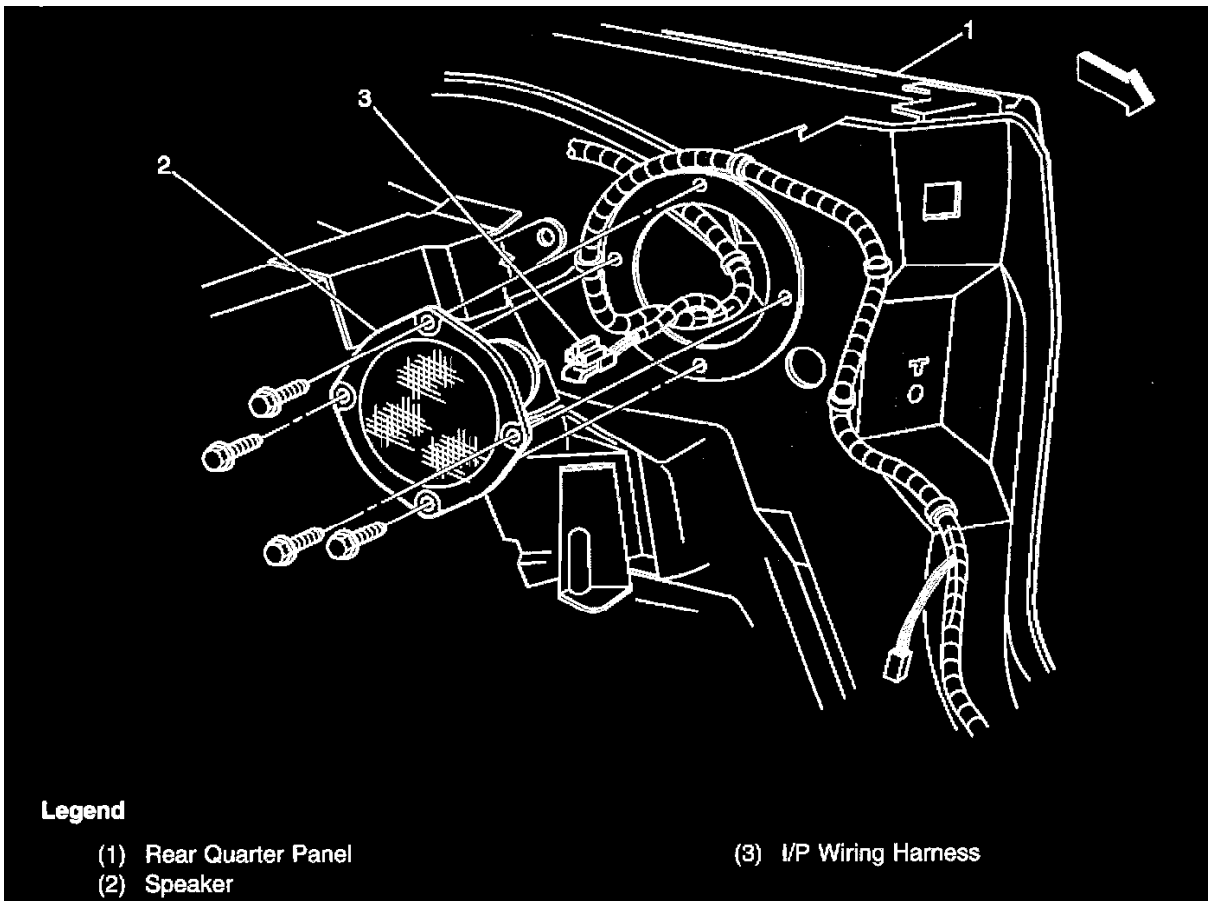
**PCM Location**



Locations View

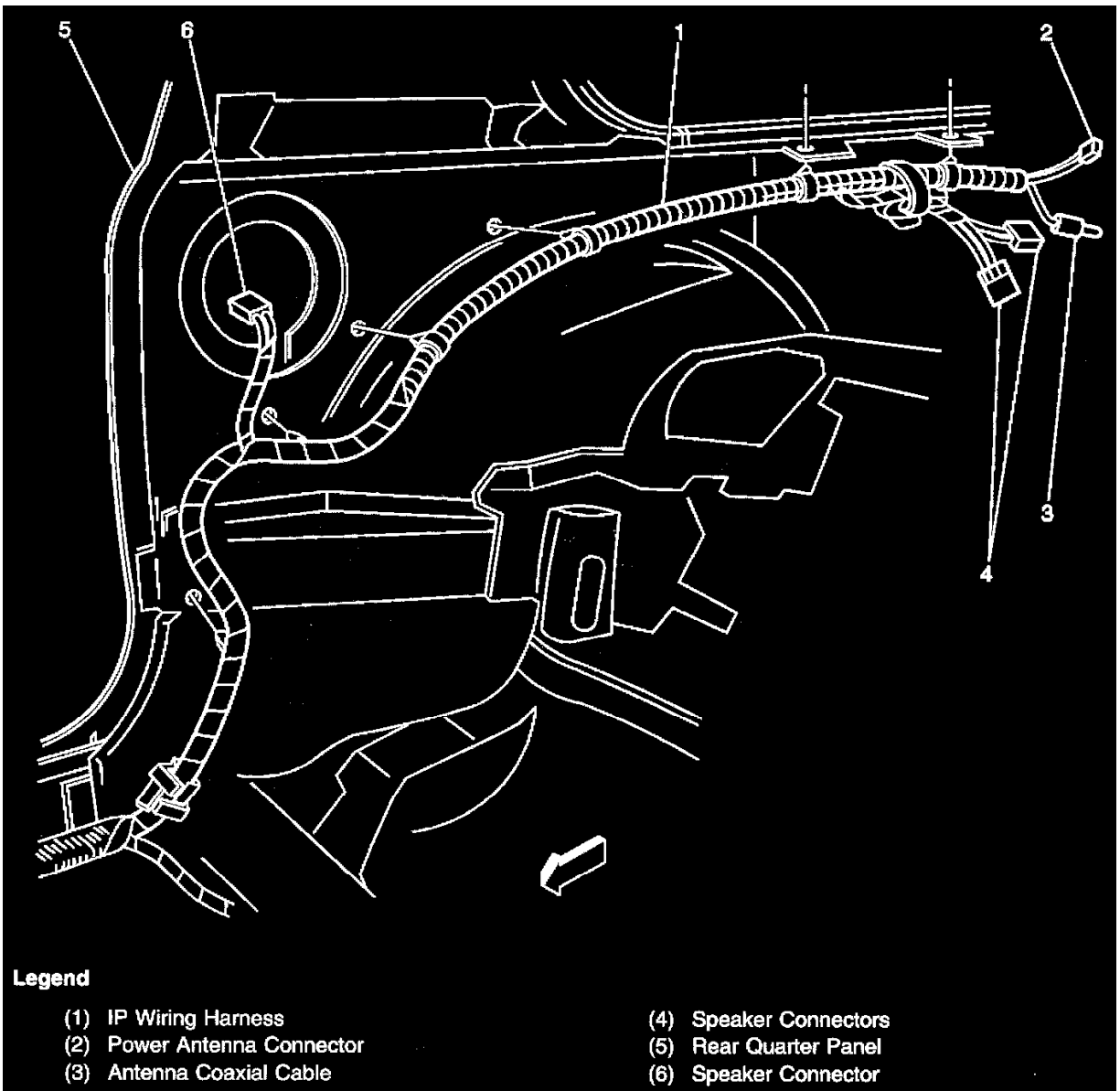


Locations View



Locations View

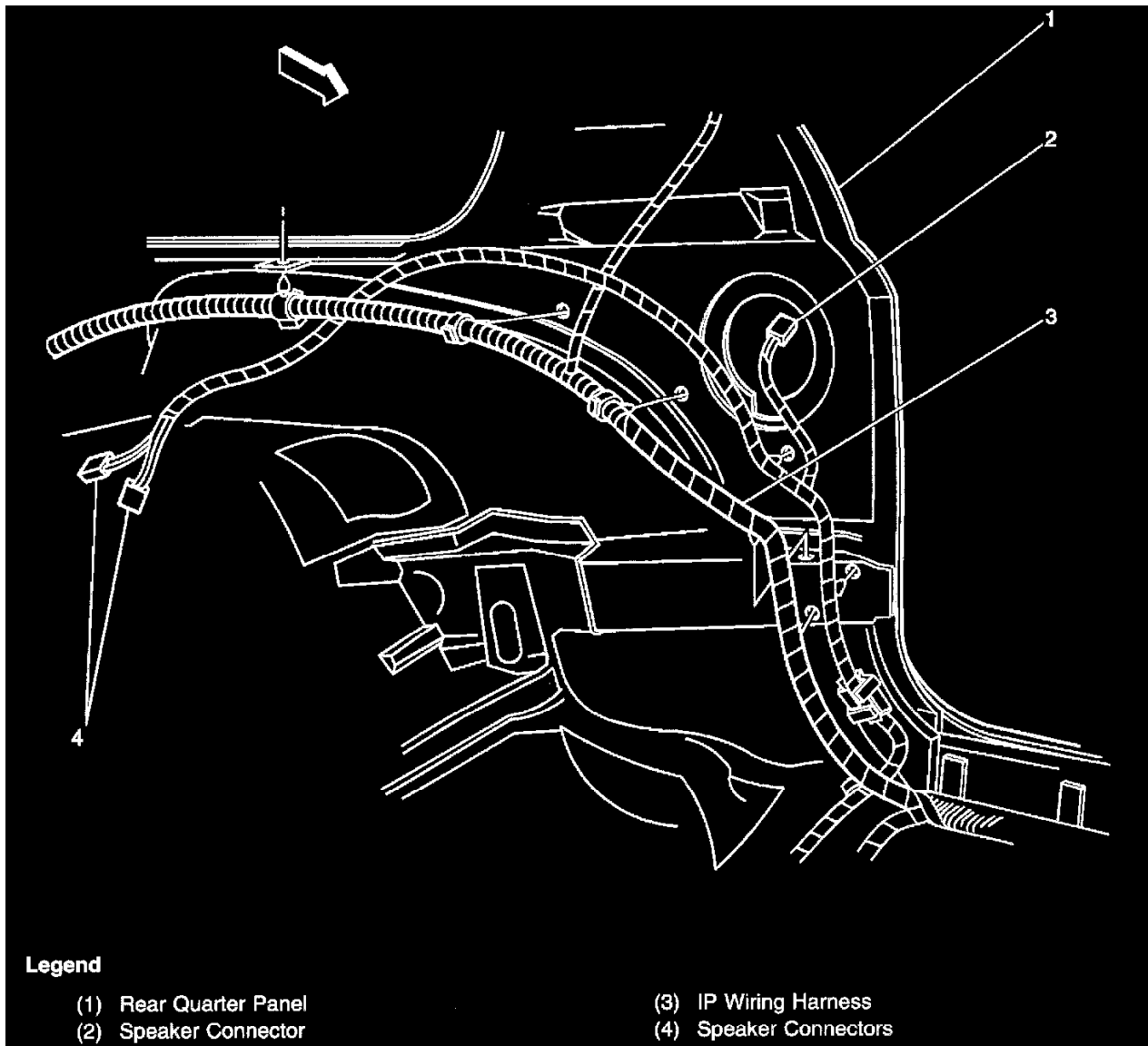




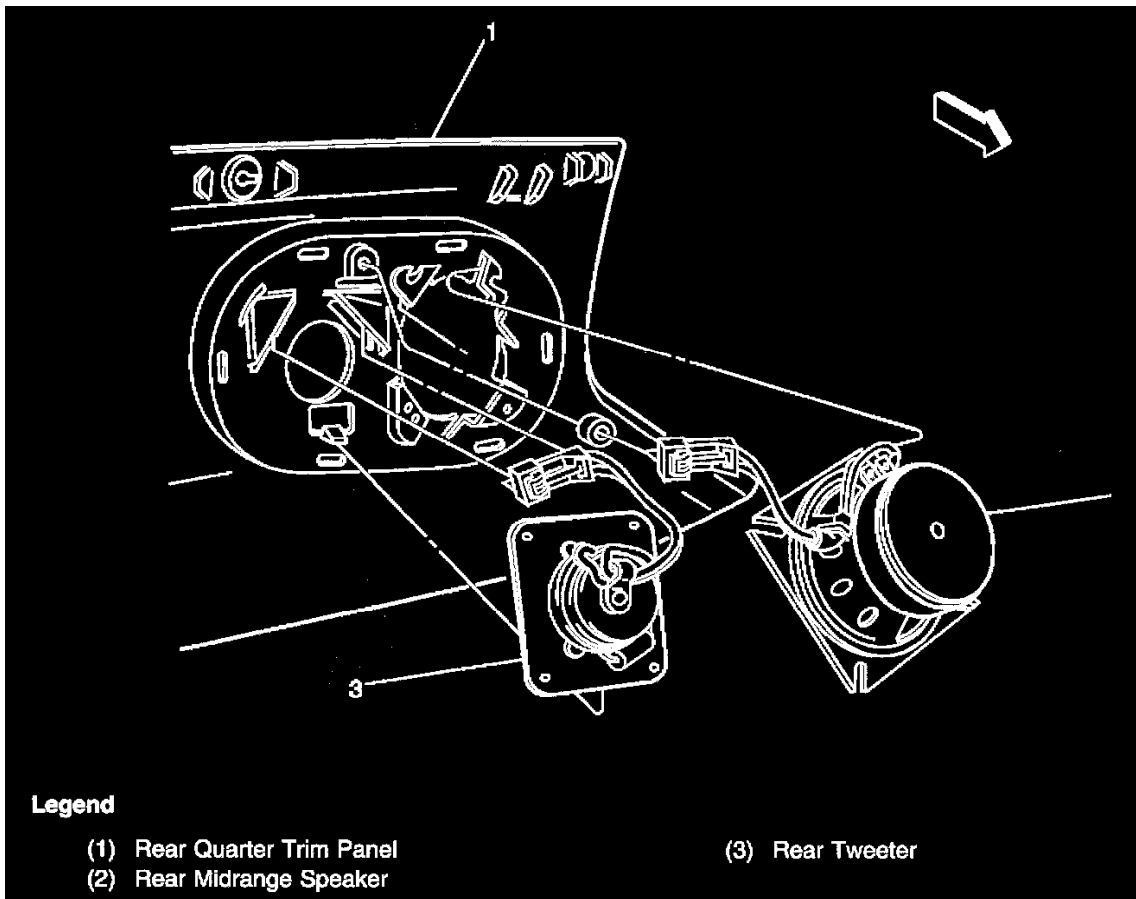
**Legend**

- |                             |                        |
|-----------------------------|------------------------|
| (1) IP Wiring Harness       | (4) Speaker Connectors |
| (2) Power Antenna Connector | (5) Rear Quarter Panel |
| (3) Antenna Coaxial Cable   | (6) Speaker Connector  |

**Locations View**

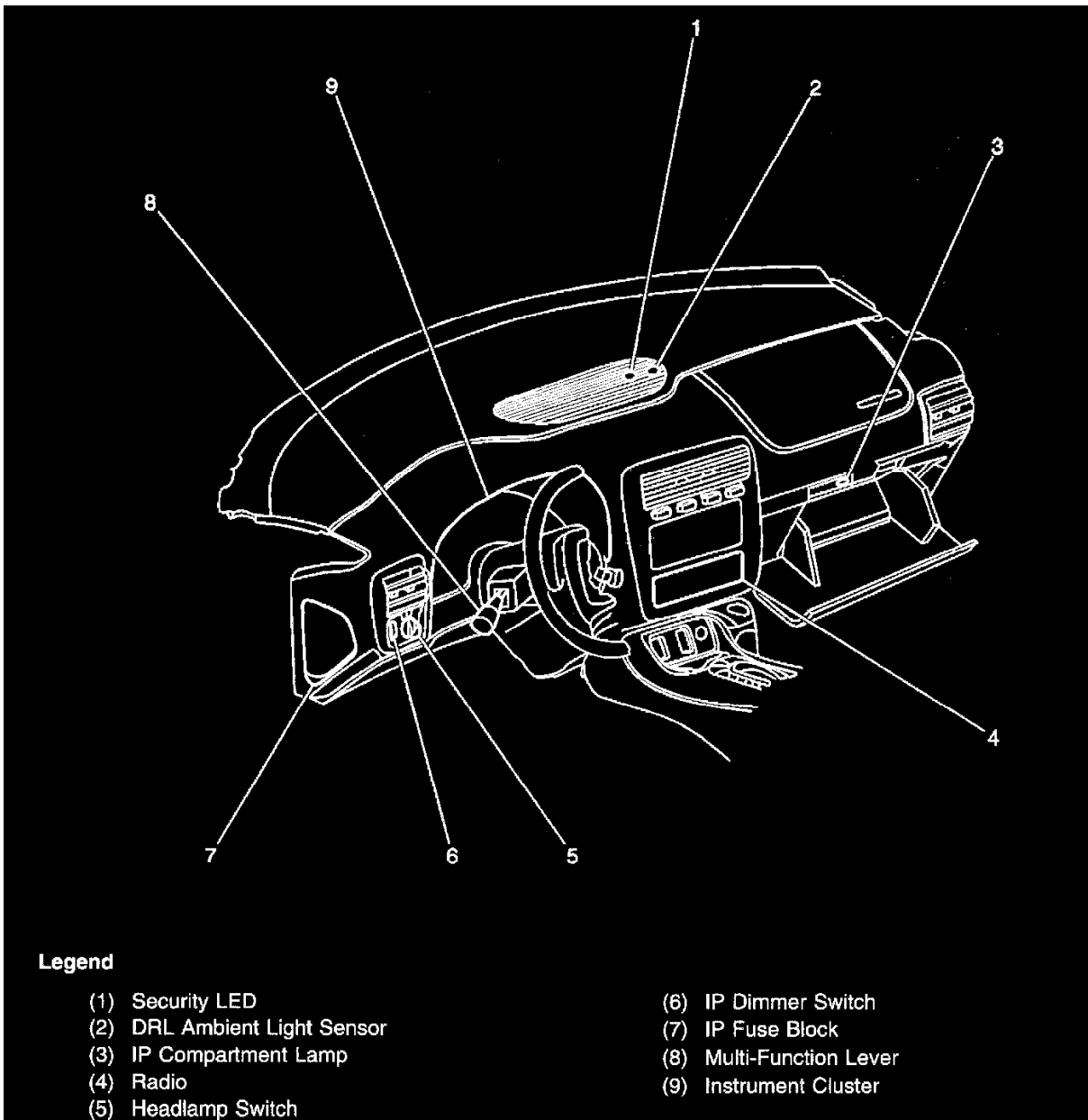


Locations View



Locations View

Radio

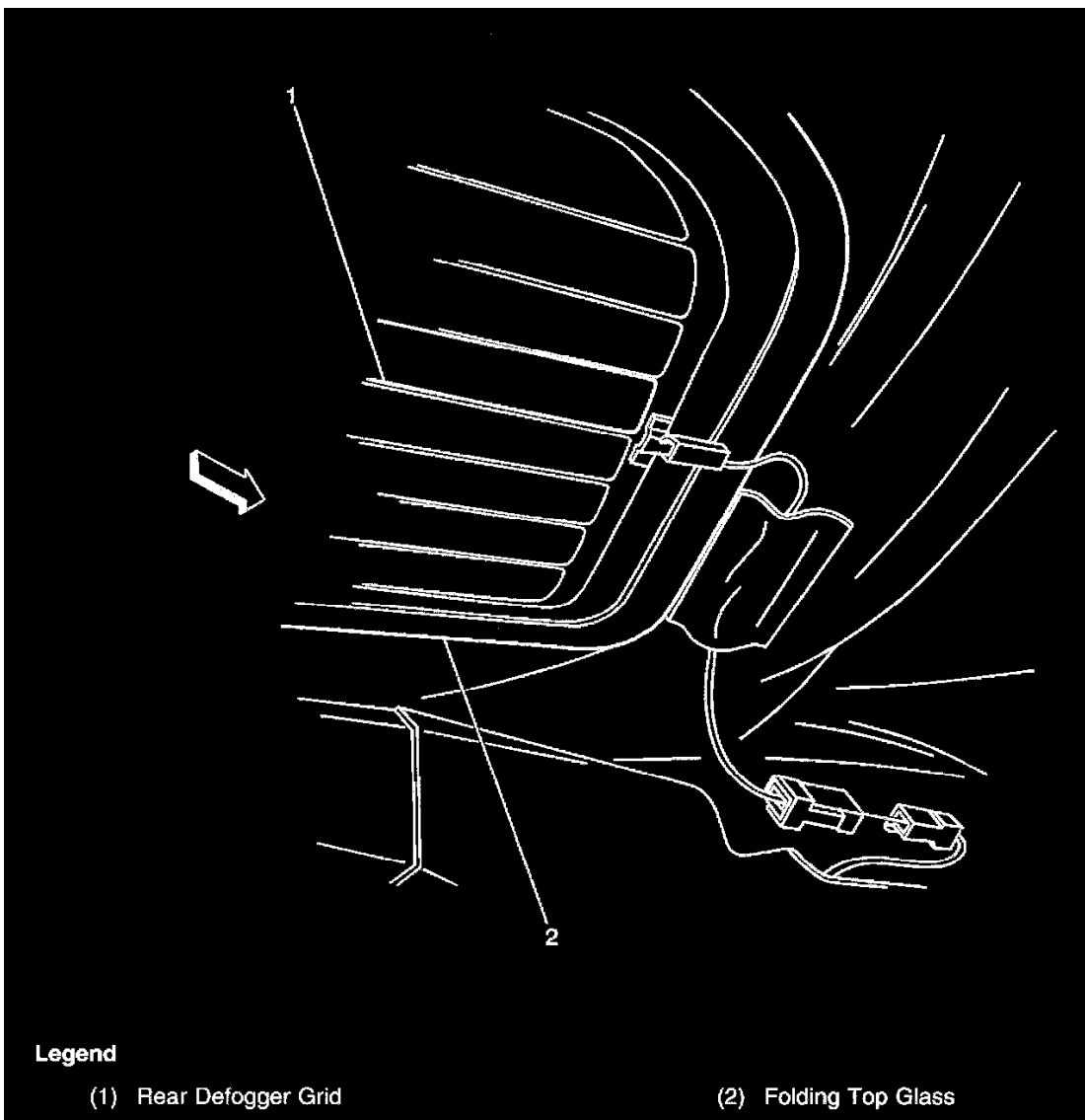


**Locations View**

In the center of the IP, above the HVAC control

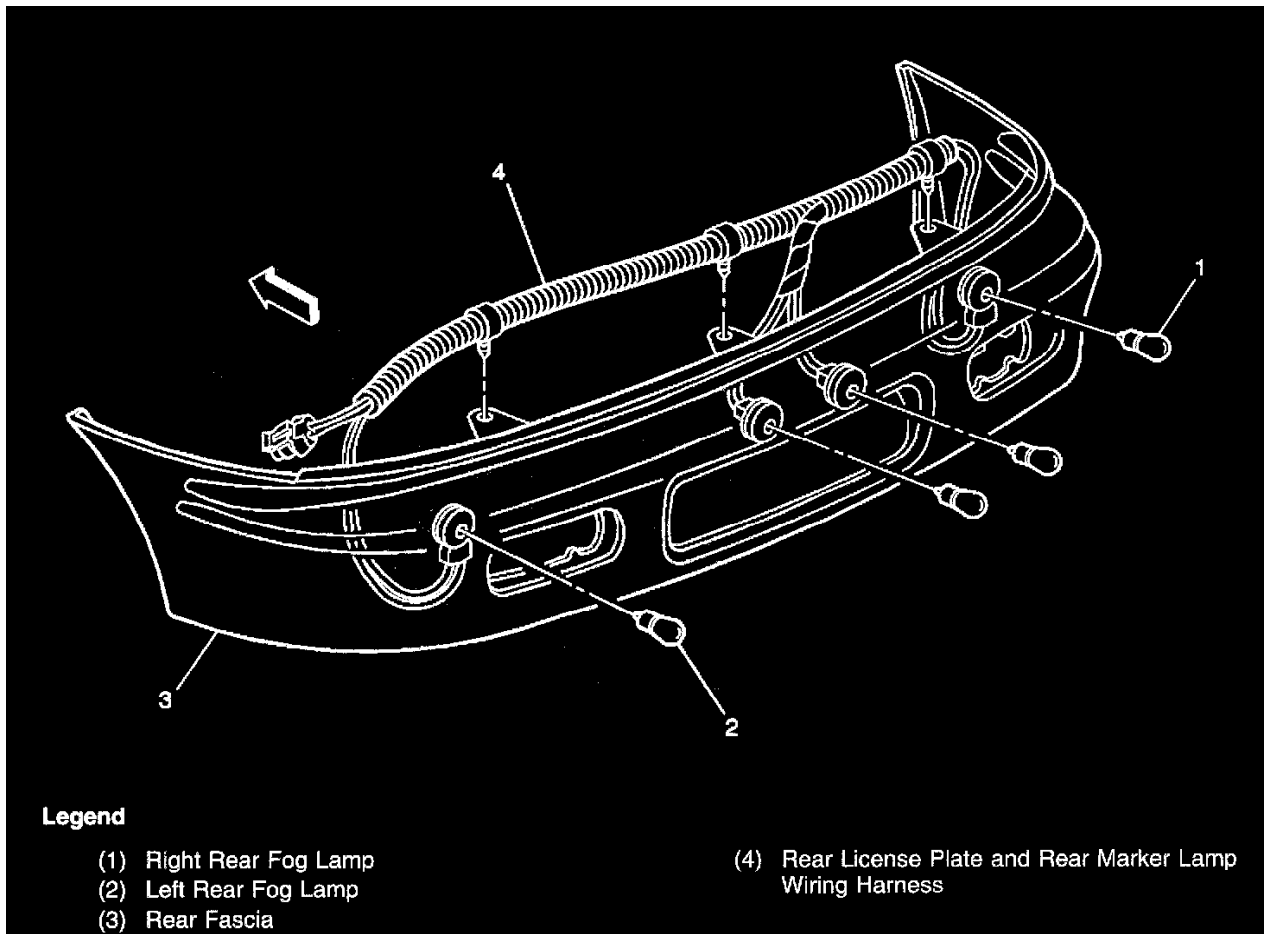
In the center of the IP, below the HVAC control

**Rear Defogger Grid**



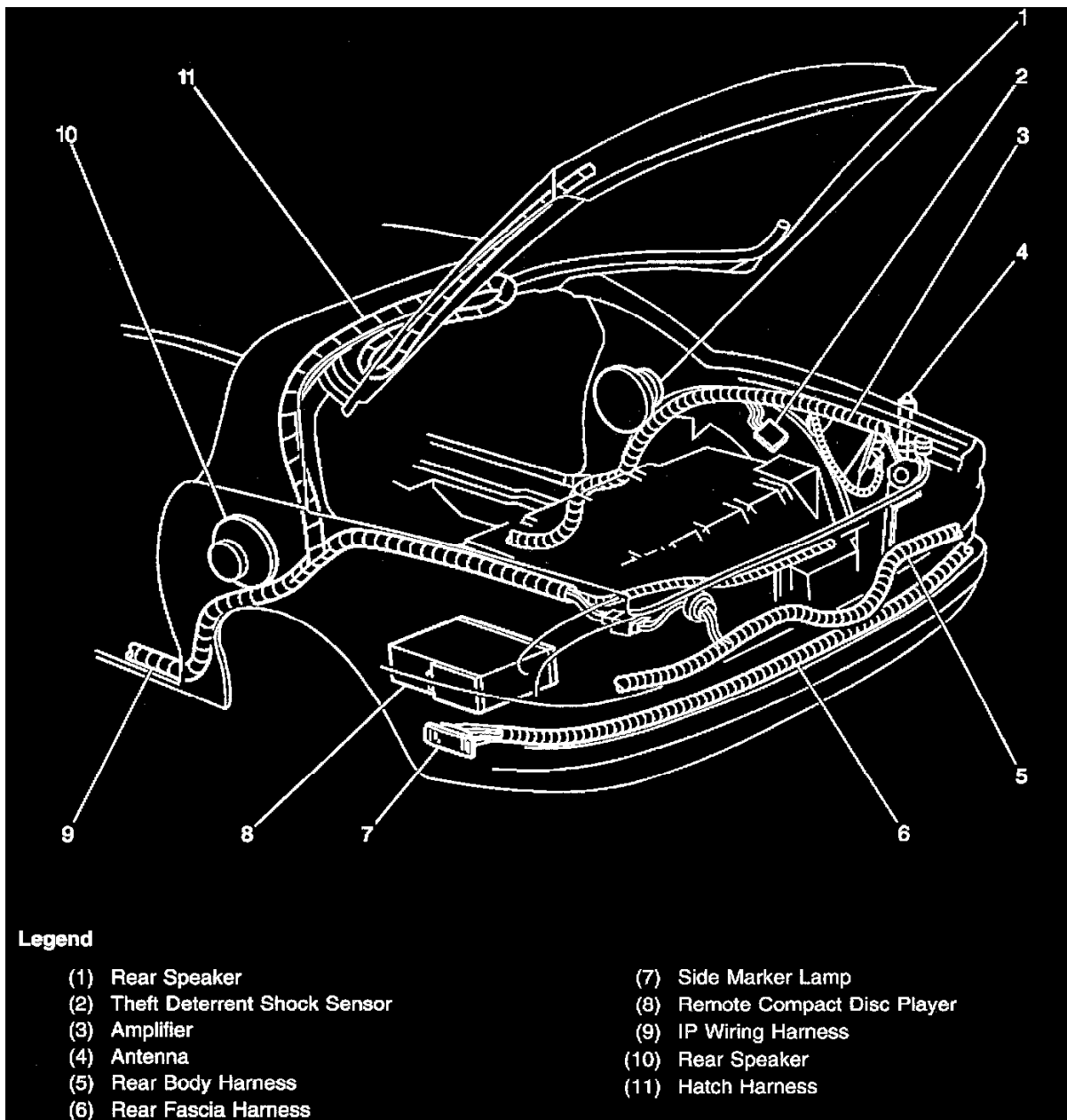
Locations View

Mounted on the rear windshield



Locations View

## Remote Compact Disc Player



Locations View

In the left rear cargo compartment

### Secondary Air Injection (Air) Pump

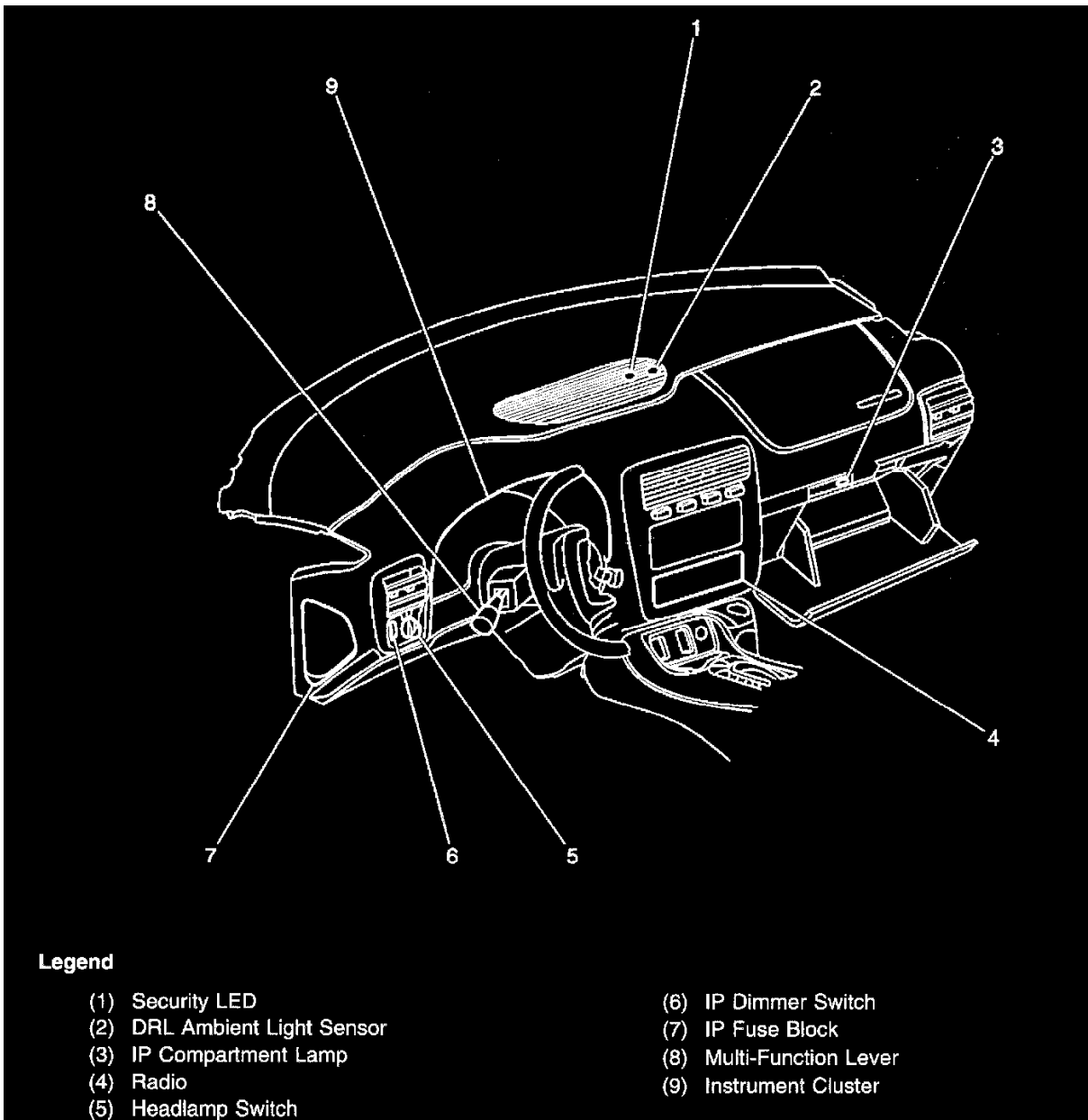
On the front left frame rail, in the engine compartment

### Secondary Air Injection Bypass Valve

Mounted to the right front frame rail

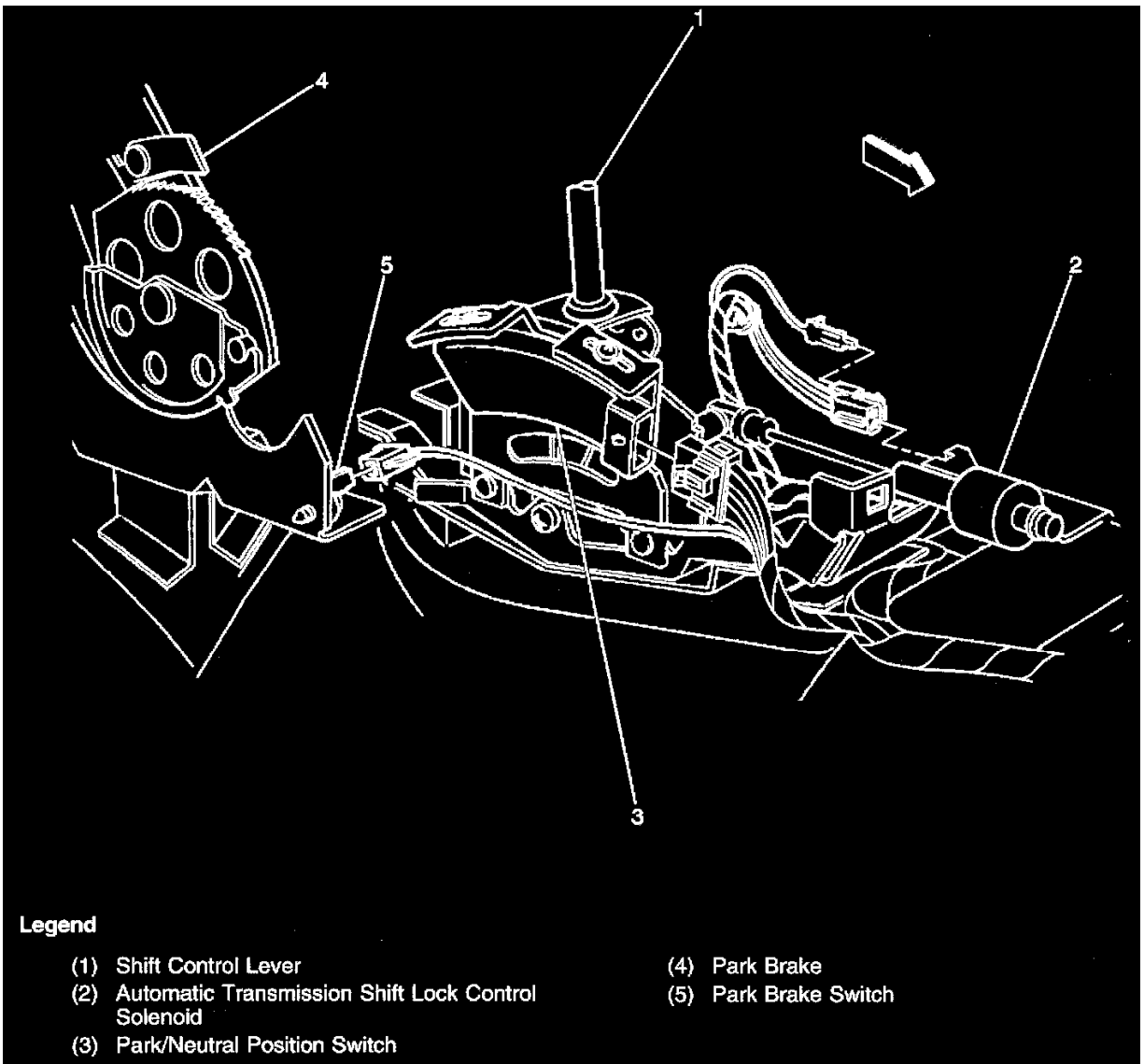
### Security Indicator LED

On the top center of the IP



Locations View

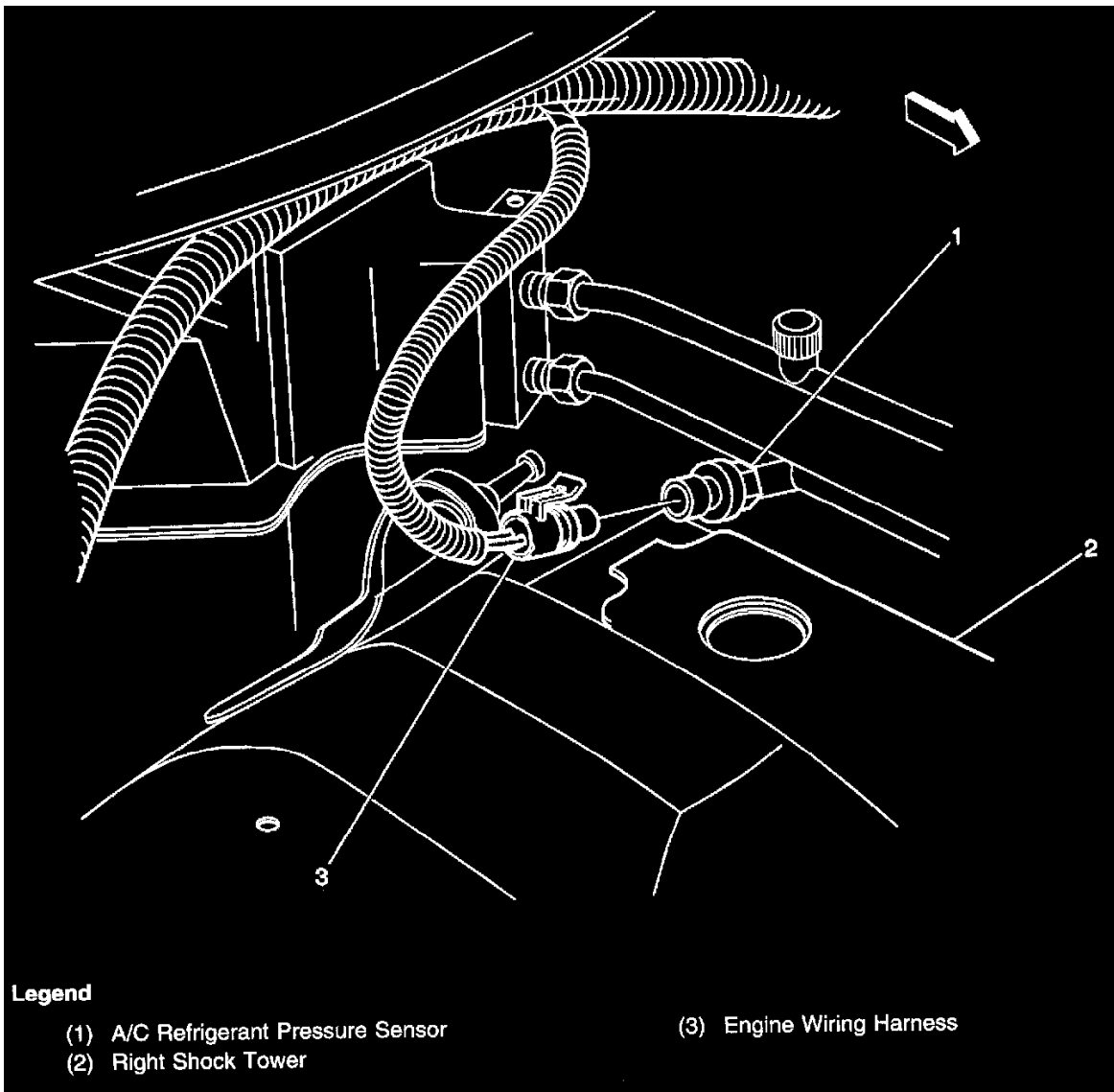




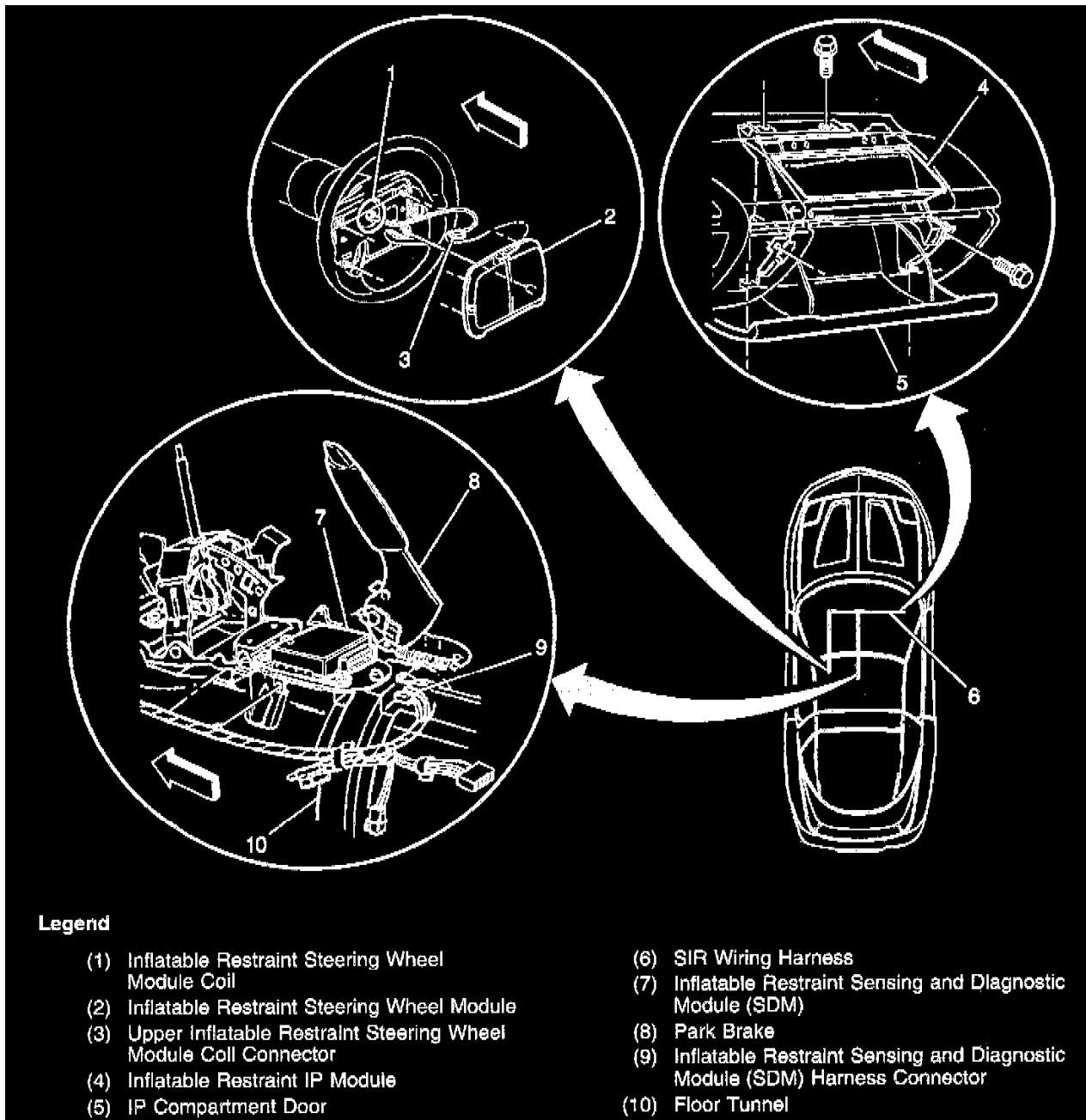
**Legend**

- |  |                       |
|--|-----------------------|
| (1) Shift Control Lever                                | (4) Park Brake        |
| (2) Automatic Transmission Shift Lock Control Solenoid | (5) Park Brake Switch |
| (3) Park/Neutral Position Switch                       |                       |

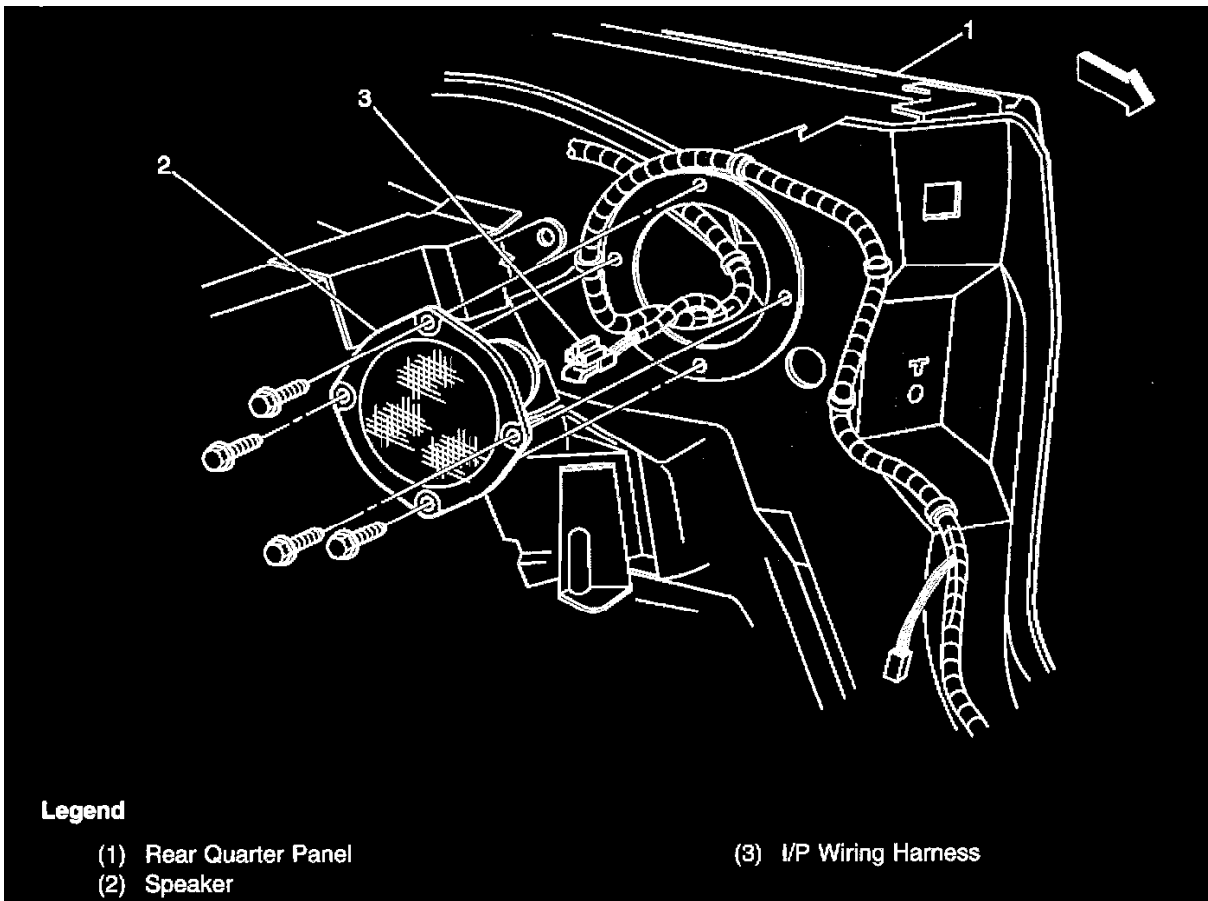
**Locations View**



Locations View



Locations View



**Legend**

- (1) Rear Quarter Panel
- (2) Speaker

- (3) I/P Wiring Harness

**Locations View**

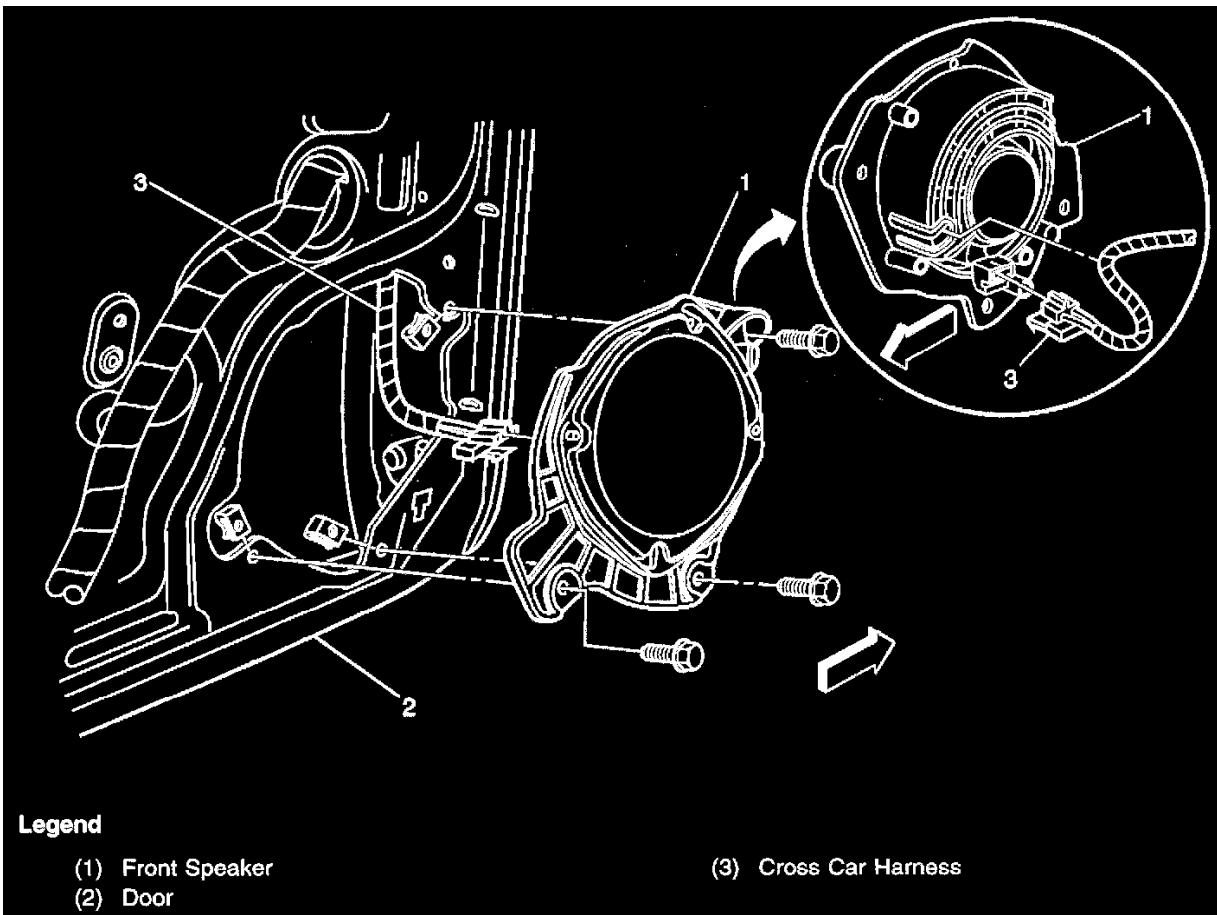
**Speaker Assembly, Front**

Speaker Assembly, Front (With Speaker System, 8 Quat Frt Dr Mtd Dual Rr Hatch Amplifier)

Inside the lower front of the left and right door panel

**Speaker Assembly, Front (With U59)**

Inside the lower front of the left and right door panel



Locations View

### Speaker, Front (With Entertainment System Option C)

Speaker, Front (With Entertainment System Option C, Speaker Sys, 4 Dual Frt Dr Mtd Dual Std Rge Qtr/Shelf)

Inside the lower front of the left and right door panel

### Speaker, Front Midrange (With Entertainment System Option D)

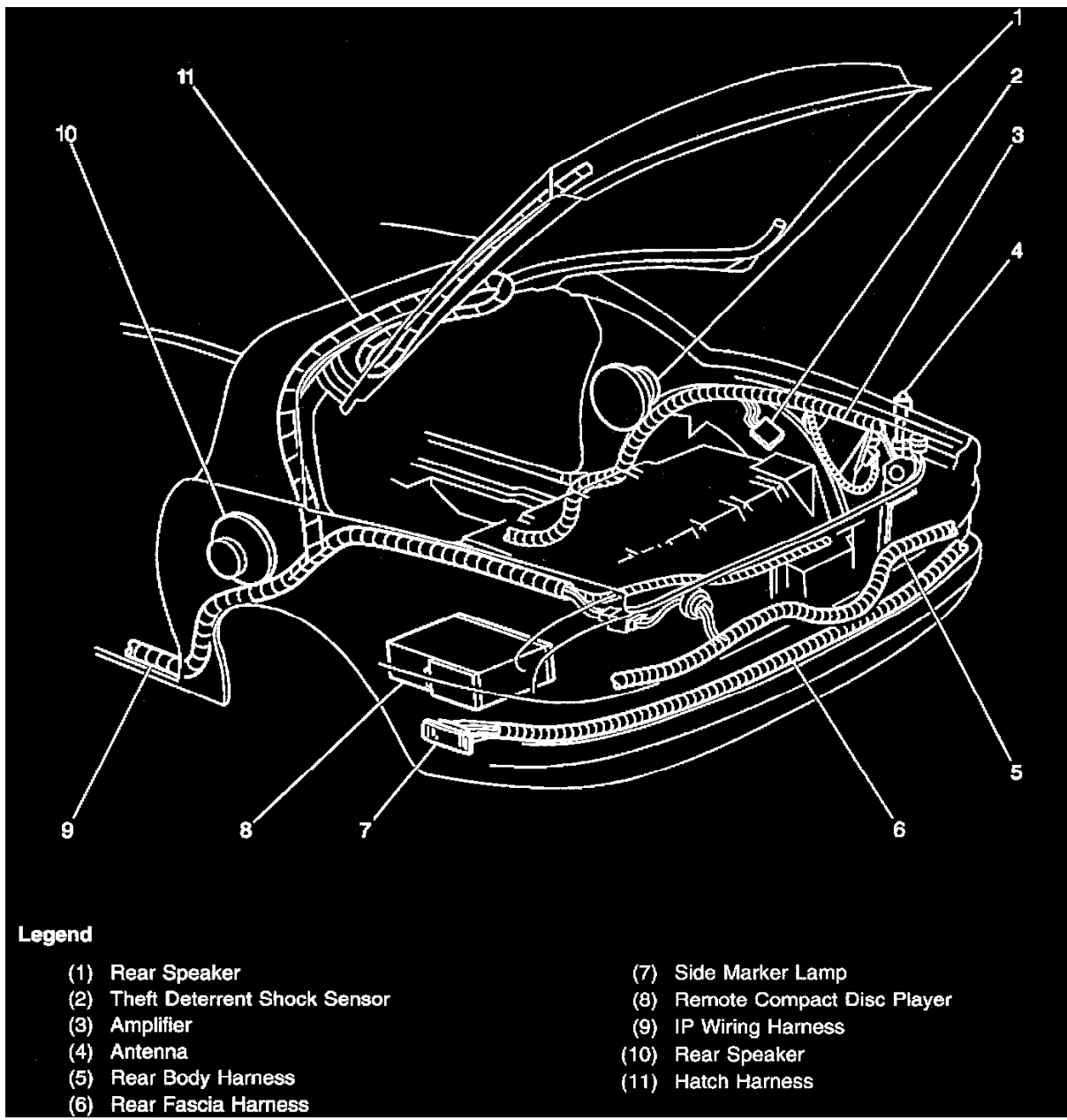
Speaker, Front Midrange (With Entertainment System Option D, Entertainment System Option E (Monsoon))

Inside the lower front of the left and right door panel

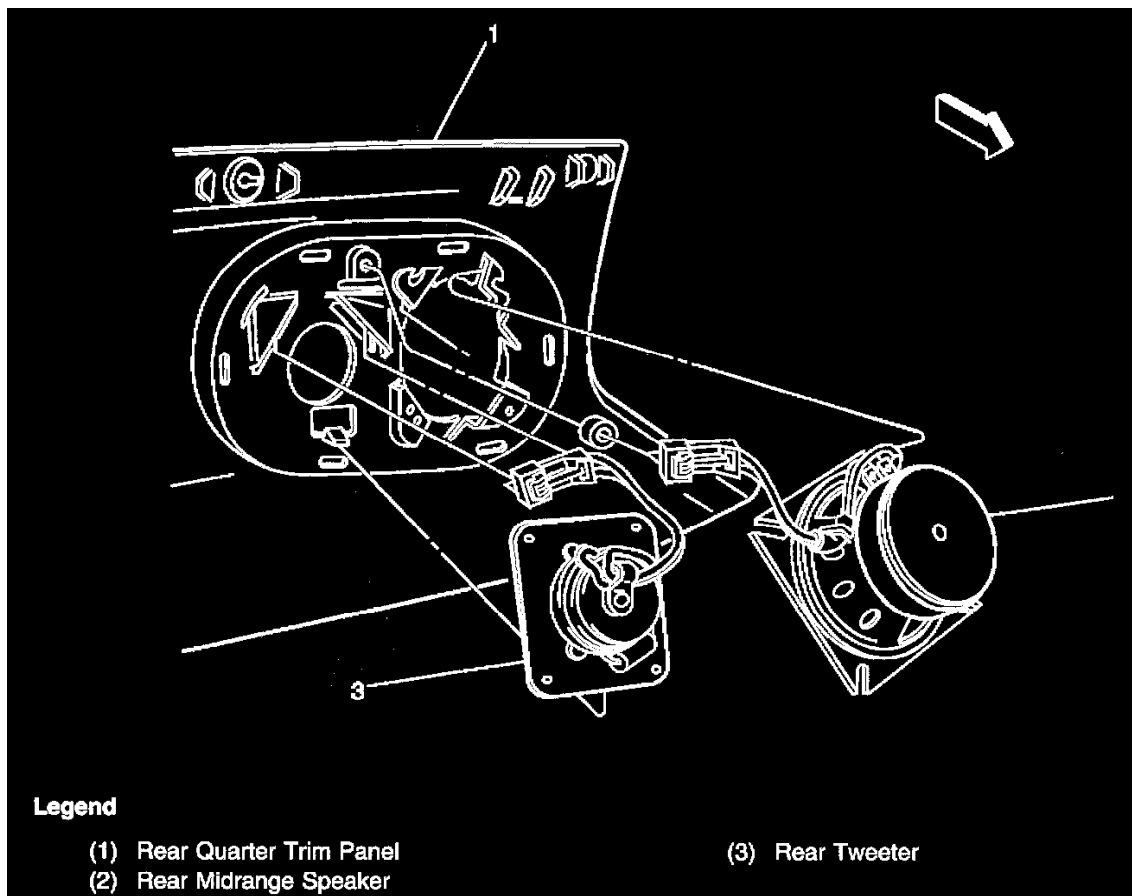
### Speaker, Front Tweeter (With System Option D, E (Monsoon))

Speaker, Front Tweeter (With Entertainment System Option D, Entertainment System Option E (Monsoon))

Inside the lower front of the left and right door panel



Locations View



Locations View

### **Speaker, Rear Midrange (With Entertainment System Option D)**

Mounted to the rear hatch

### **Speaker, Rear Quarter (With U59)**

In the right and left rear quarter panels

### **Speaker, Rear Subwoofer (With Entertainment System Option D)**

In the right and left sail panels

### **Speaker, Rear Subwoofer (8 Quat Frt Dr Mtd Dual Rr Hatch Amp)**

Speaker, Rear Subwoofer (With Speaker System, 8 Quat Frt Dr Mtd Dual Rr Hatch Amplifier)

In the right and left sail panels

### **Speaker, Rear Tweeter (Option D, E (Monsoon))**

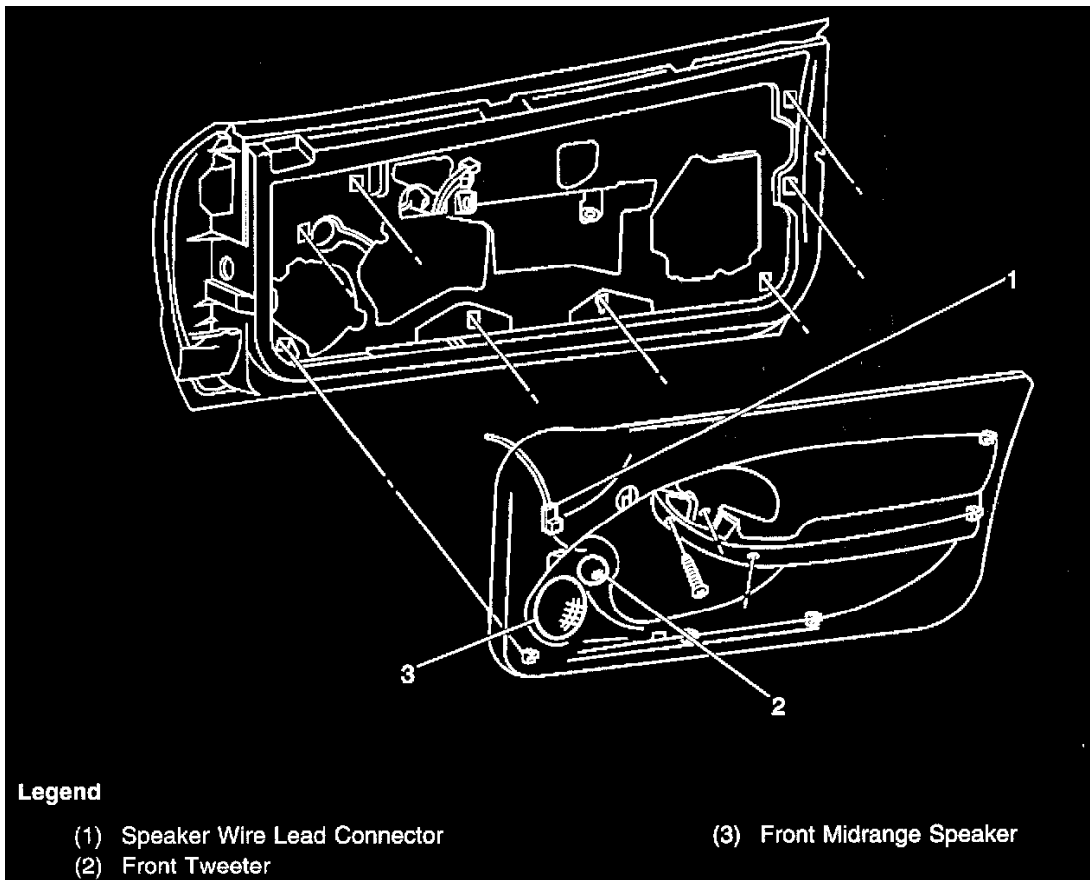
Speaker, Rear Tweeter (With Entertainment System Option D, Entertainment System Option E (Monsoon))

In the right and left rear quarter panels

### **Speaker, Rear, 4 Dual Frt Dr Mtd Dual**

Speaker, Rear (With Entertainment System Option C, Speaker Sys, 4 Dual Frt Dr Mtd Dual Std Rge Qtr/Shelf)

In the left and right sail panels



Locations View

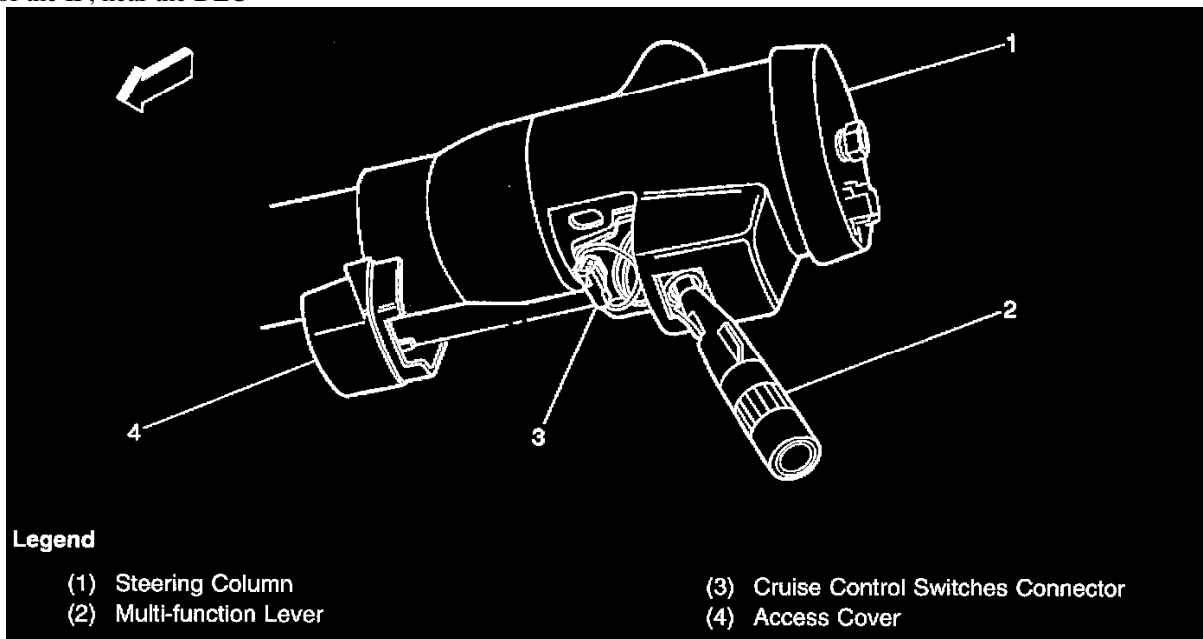
### Speaker, Rear Extended Range

Speaker, Rear Extended Range (With Speaker System, 8 Quart Frt Dr Mtd Dual Rr Hatch Amplifier)

Behind the rear seat in the rear hatch area

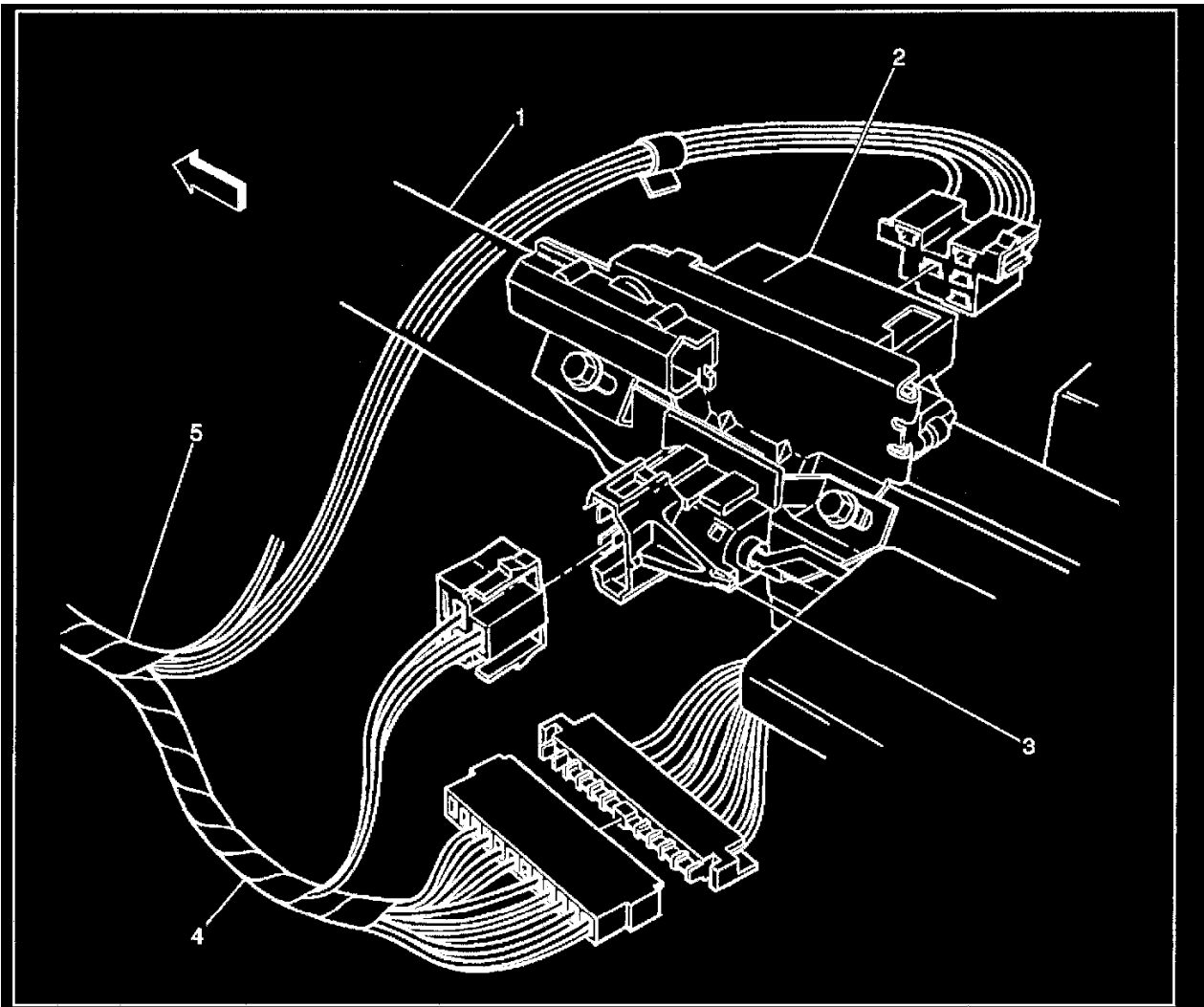
### Splice Pack SP200

Under the left side of the IP, near the DLC



Locations View

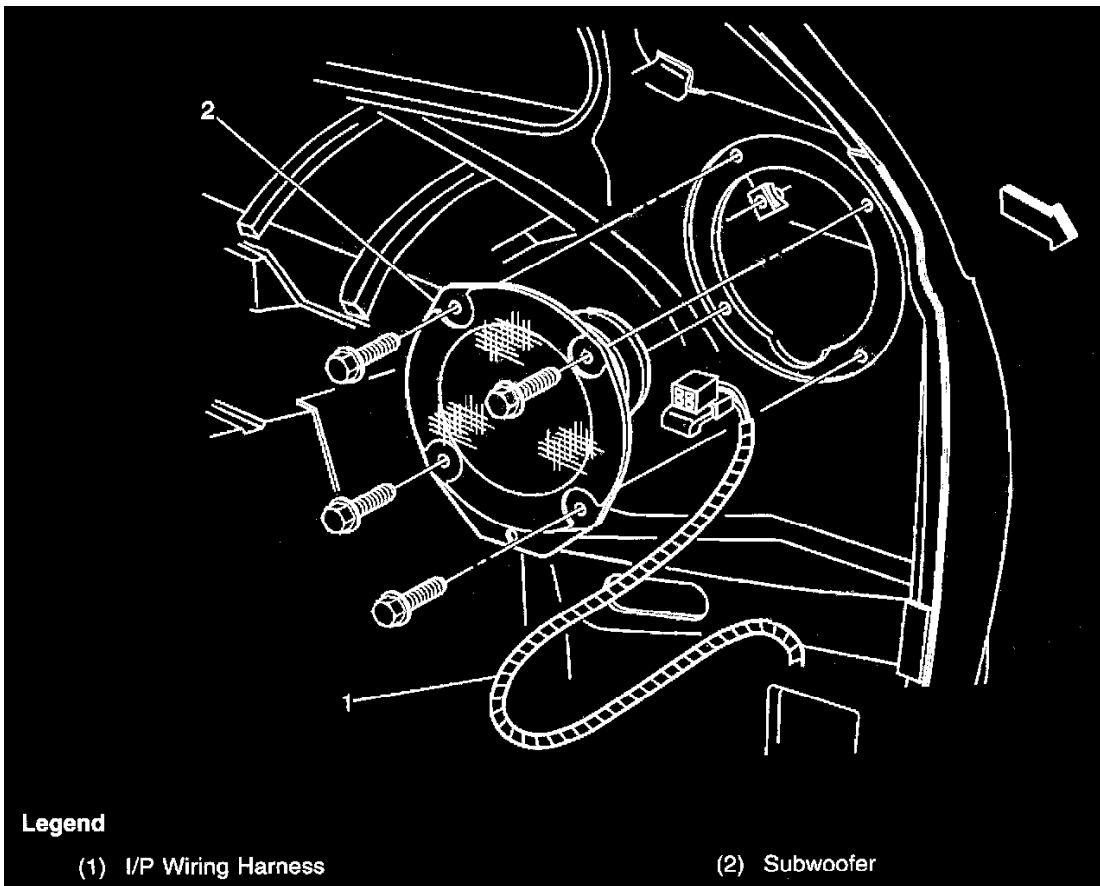




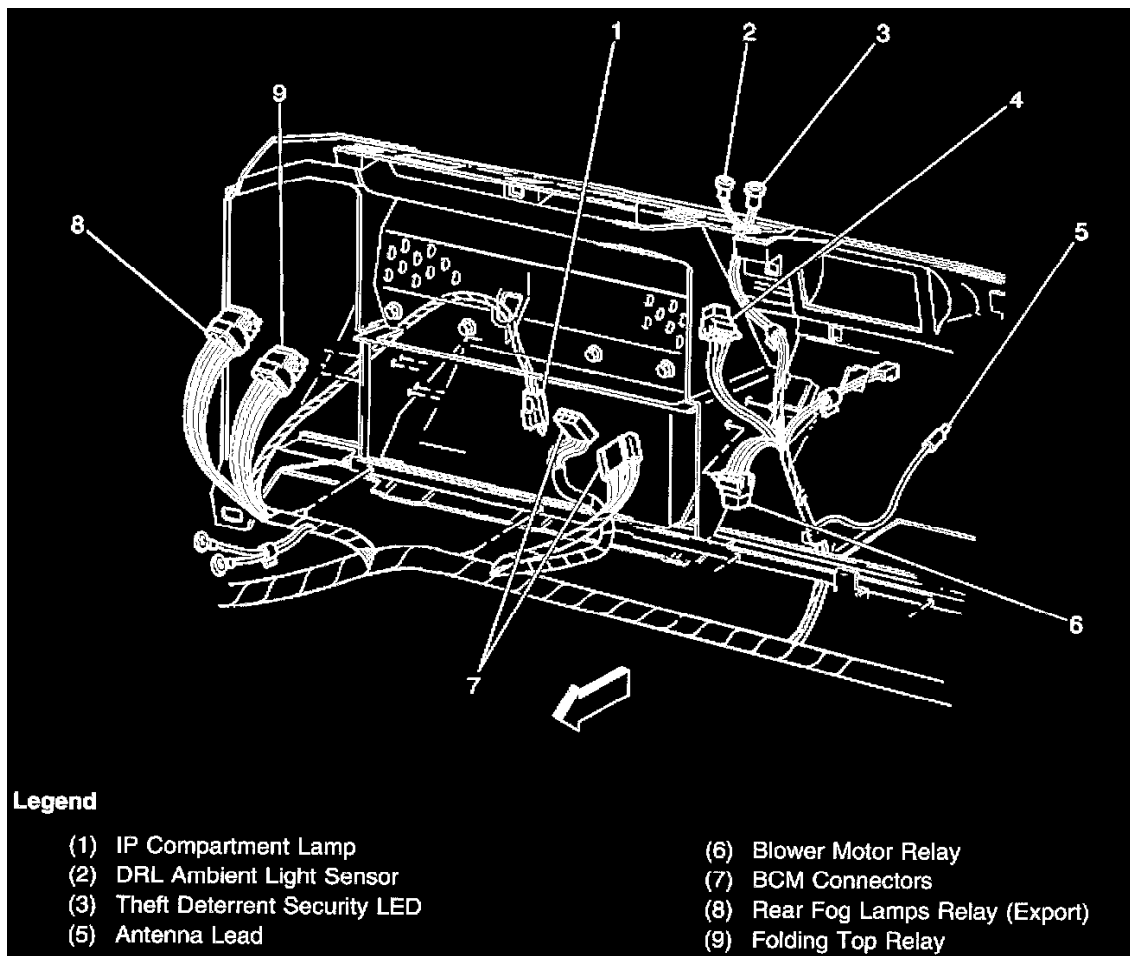
**Legend**

- (1) Steering Column
- (2) Ignition Switch
- (3) Headlamp Dimmer Switch
- (4) Isolation Diode (Wipers)
- (5) Forward Lamp Harness

Locations View - Base Of Steering Column

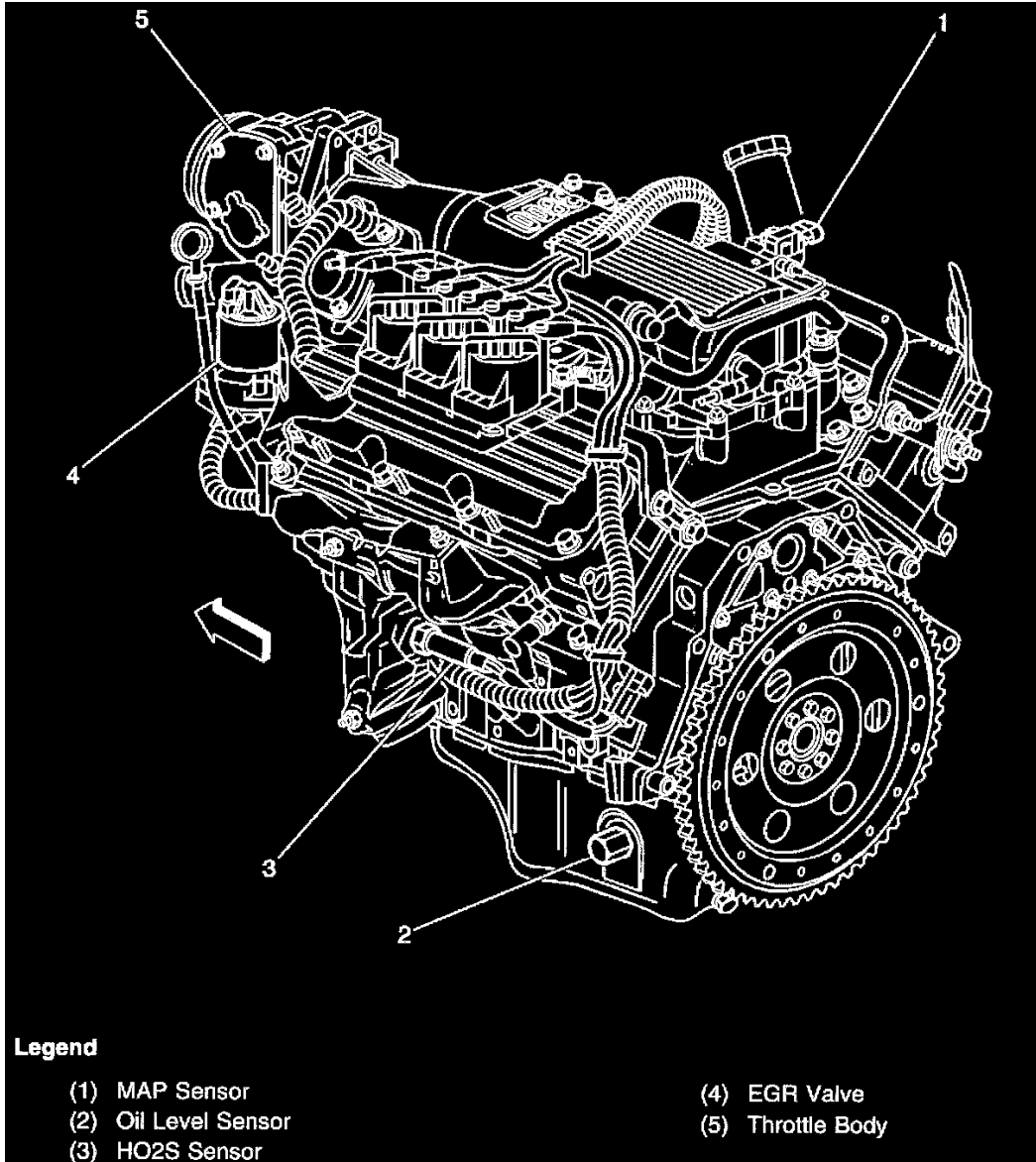


Locations View

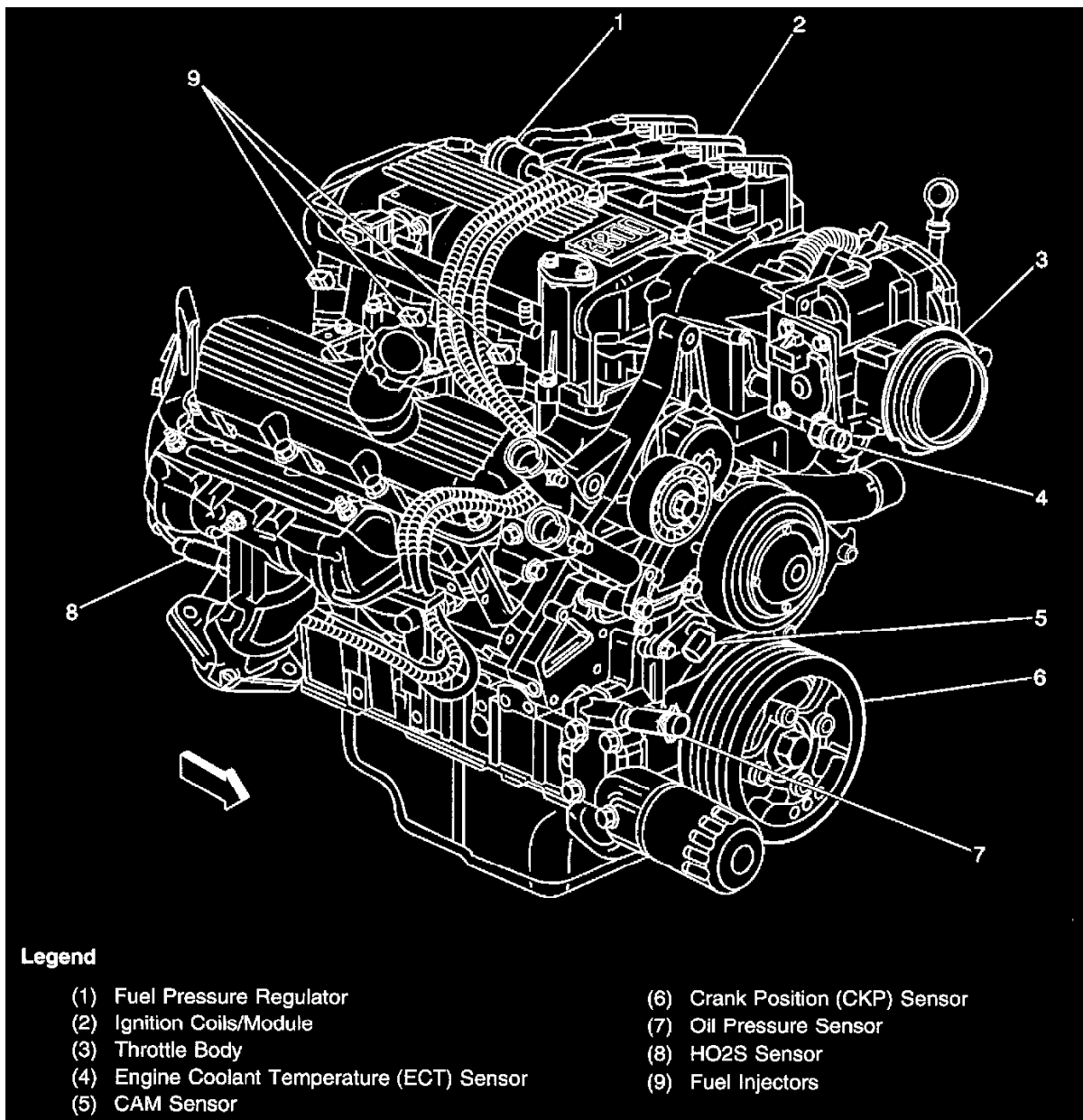


Locations View

Throttle Body Assembly



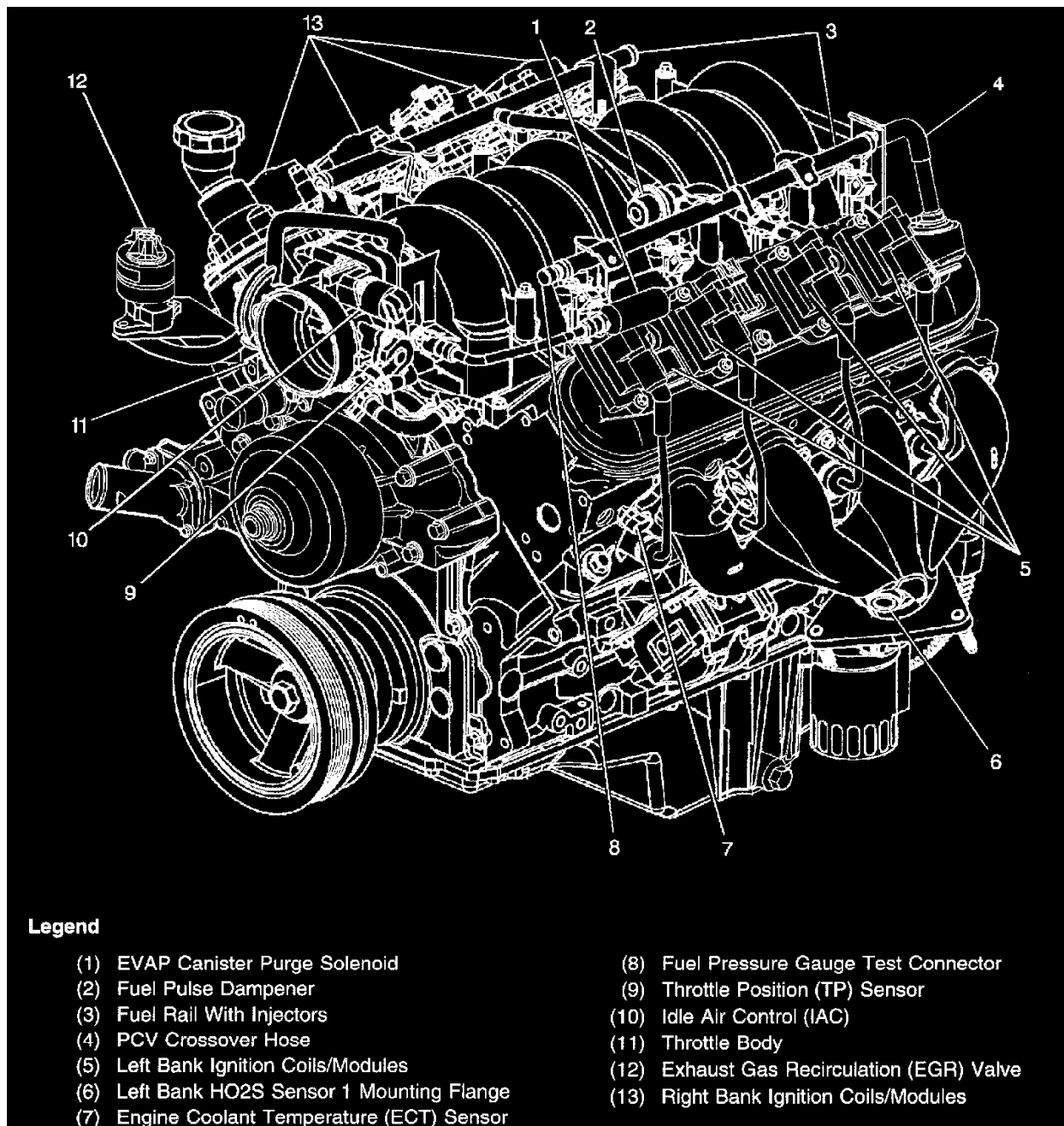
Locations View



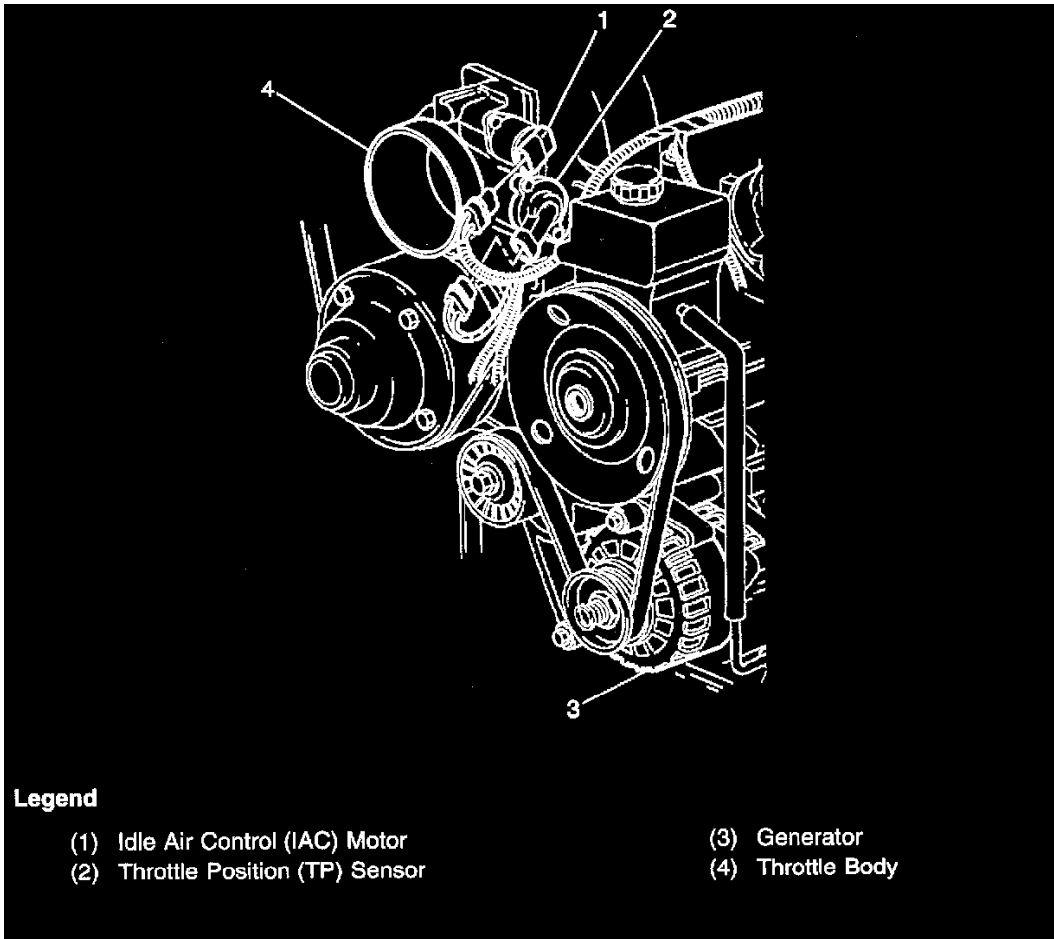
**Legend**

- |   |                                 |
|---|---------------------------------|
| (1) Fuel Pressure Regulator                 | (6) Crank Position (CKP) Sensor |
| (2) Ignition Coils/Module                   | (7) Oil Pressure Sensor         |
| (3) Throttle Body                           | (8) HO2S Sensor                 |
| (4) Engine Coolant Temperature (ECT) Sensor | (9) Fuel Injectors              |
| (5) CAM Sensor                              |                                 |

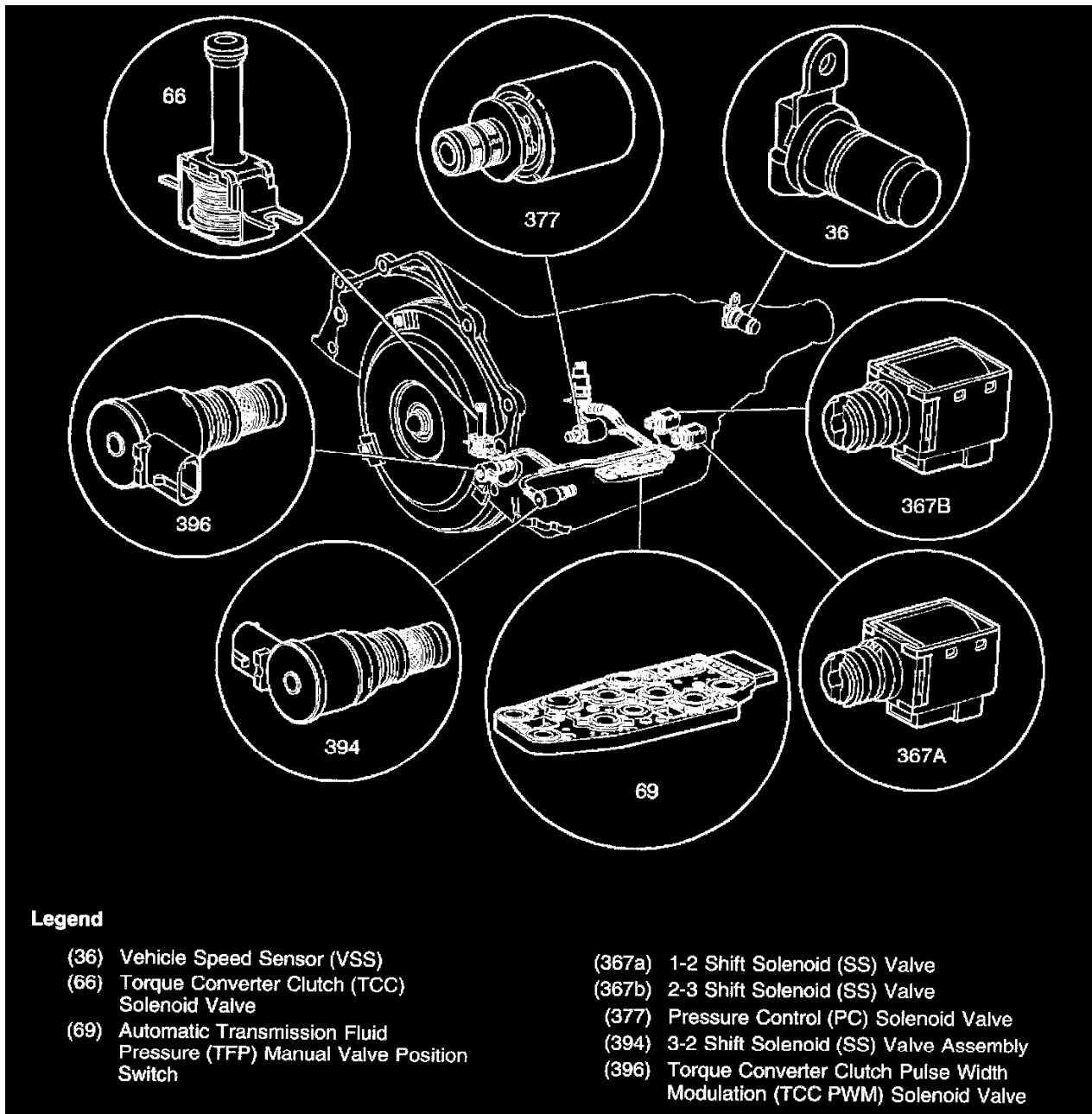
**Locations View**



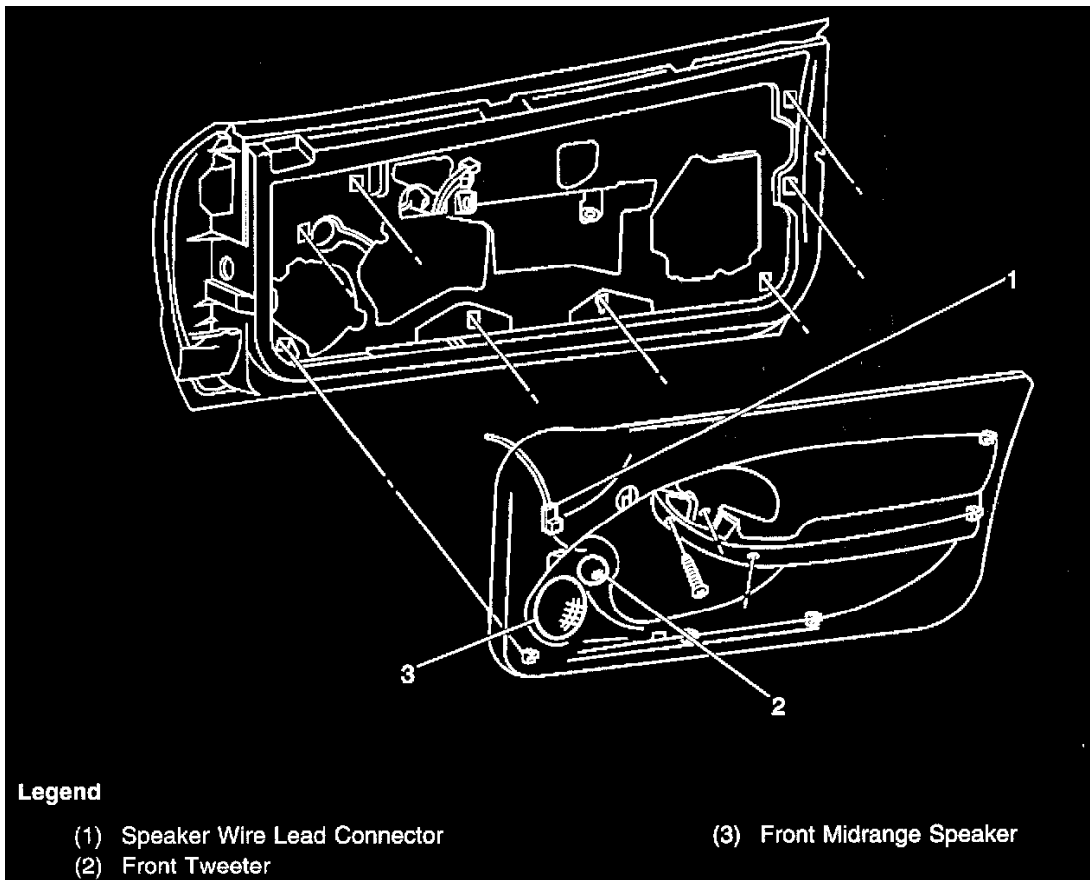
Locations View



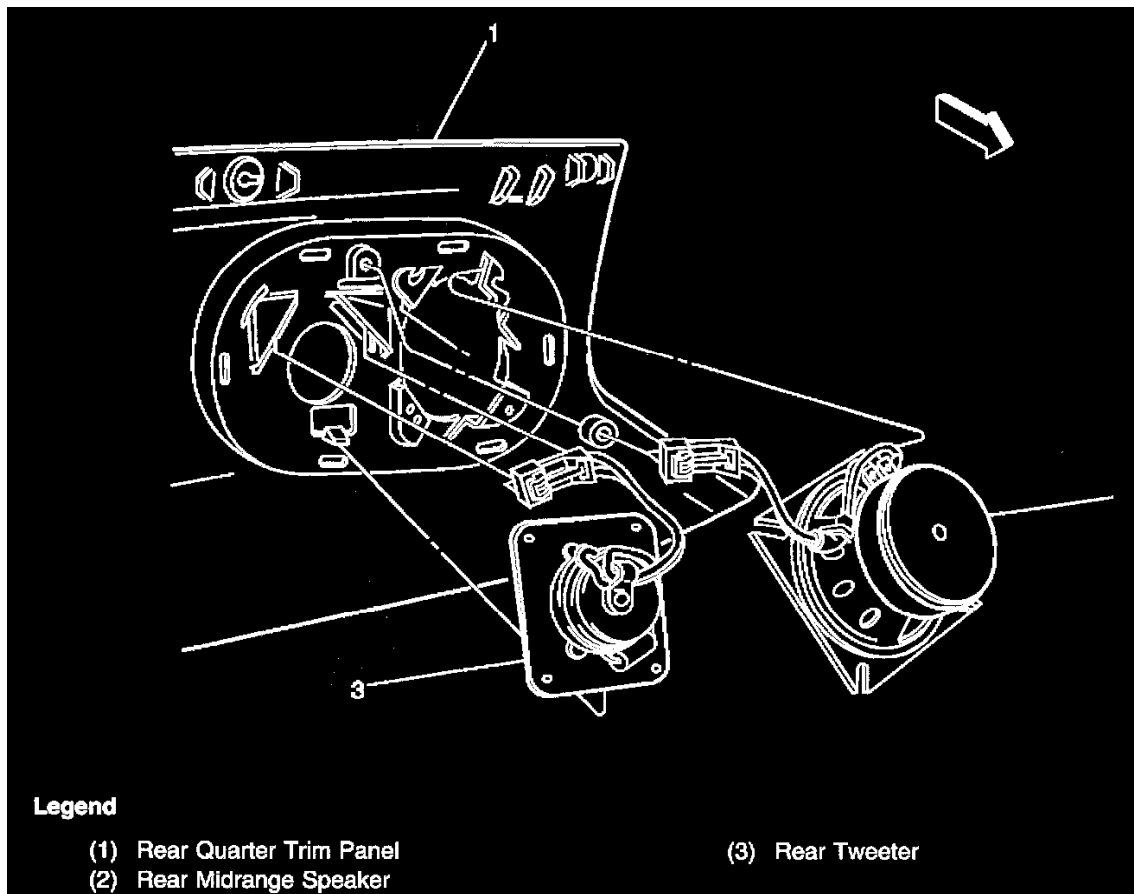
Locations View



Locations View



Locations View



Locations View