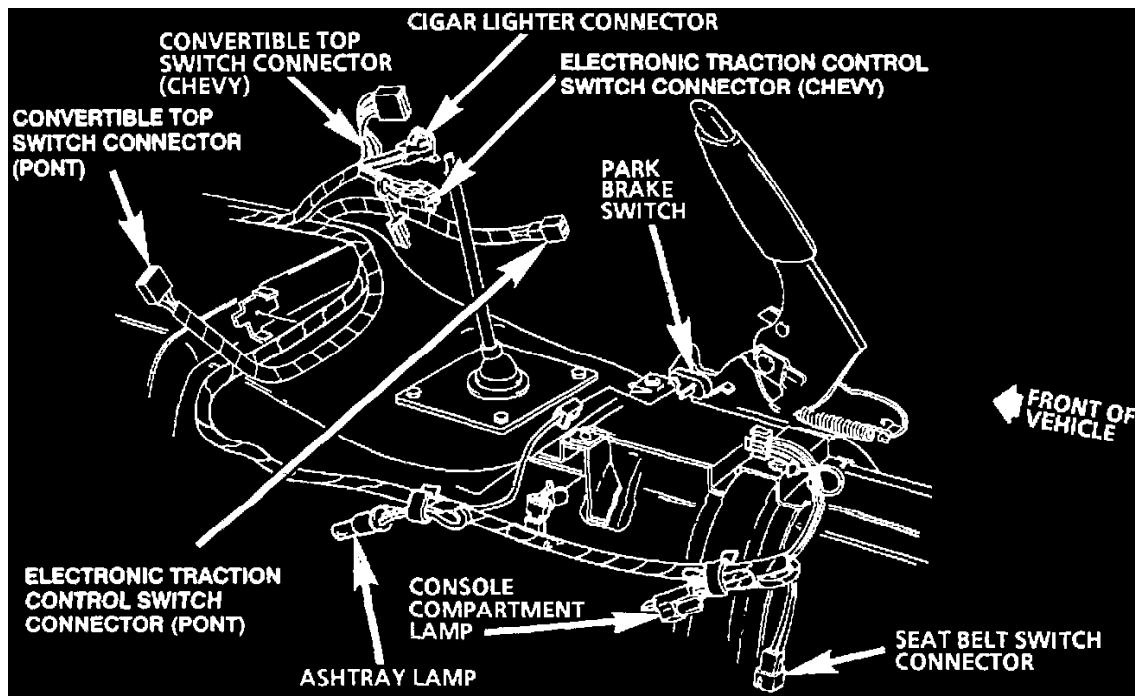
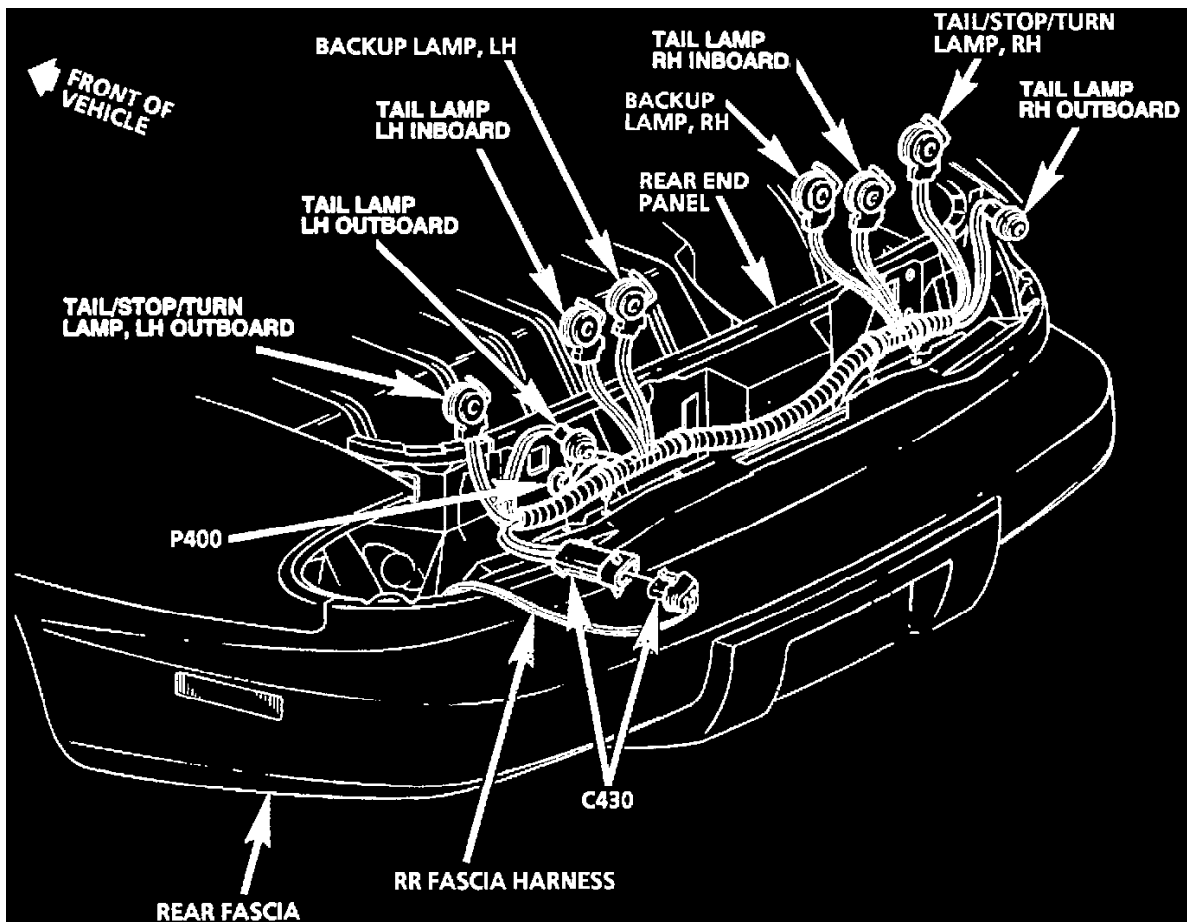


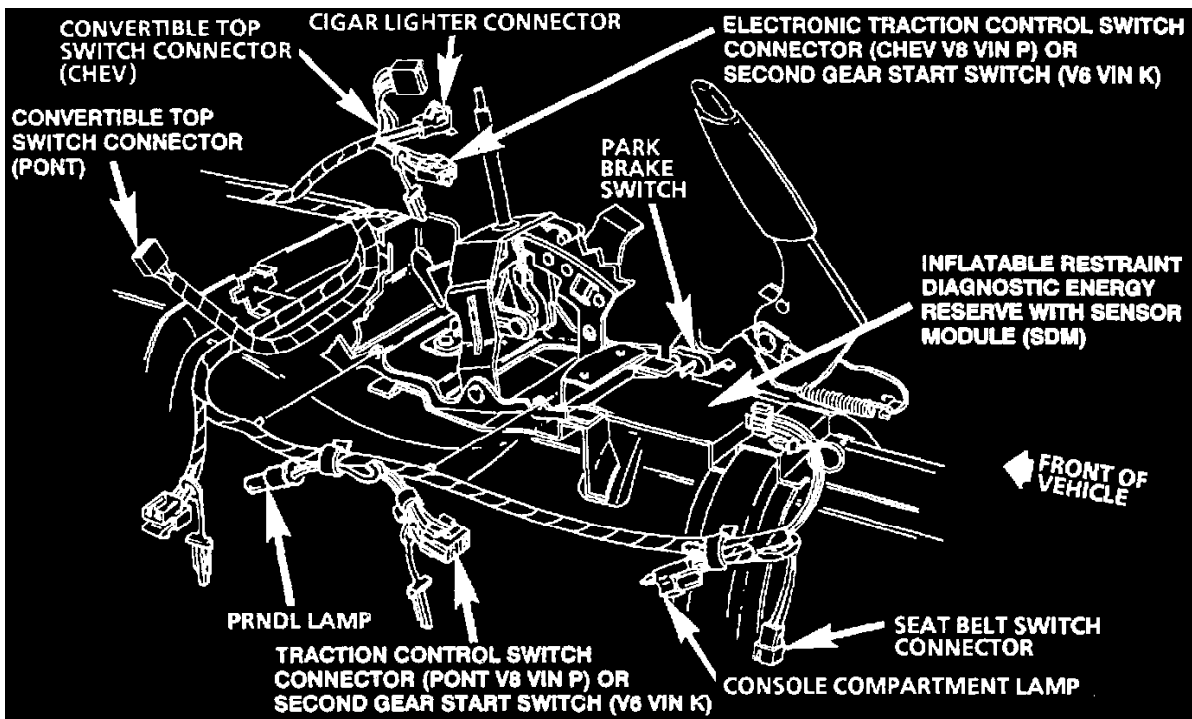
# Vehicle: Locations



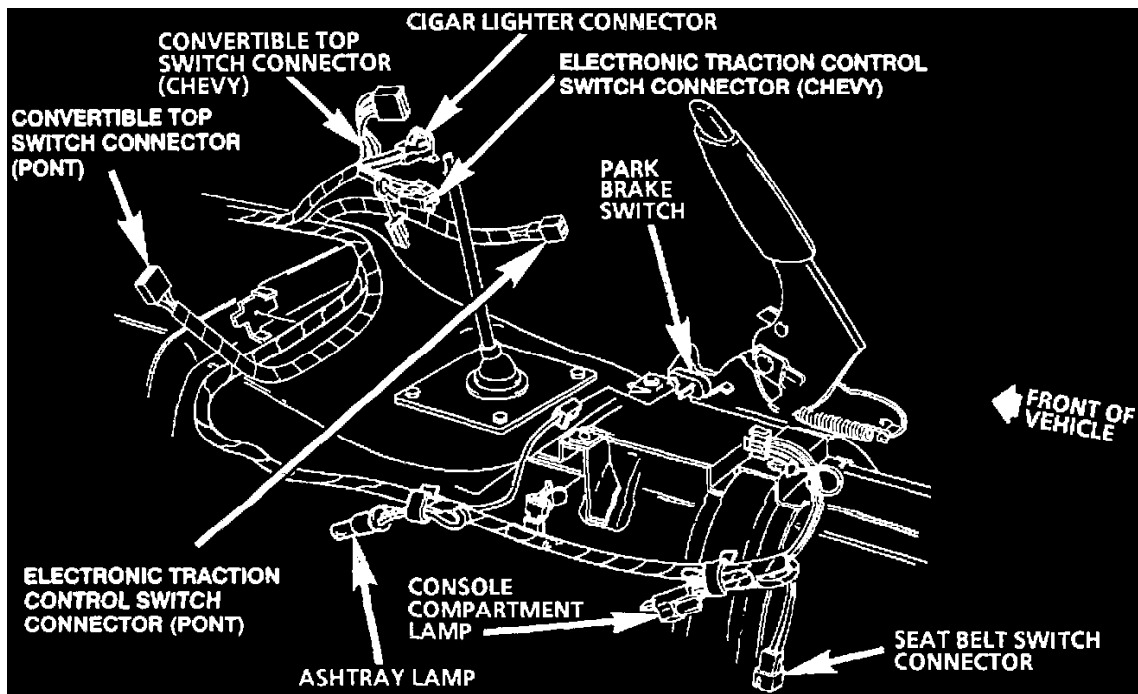
LH Side, Under Console - Manual (M49 Or MM6)



Rear Of Vehicle (Chevy, Pont Similar)



LH Side, Under Console - Automatic (M30)



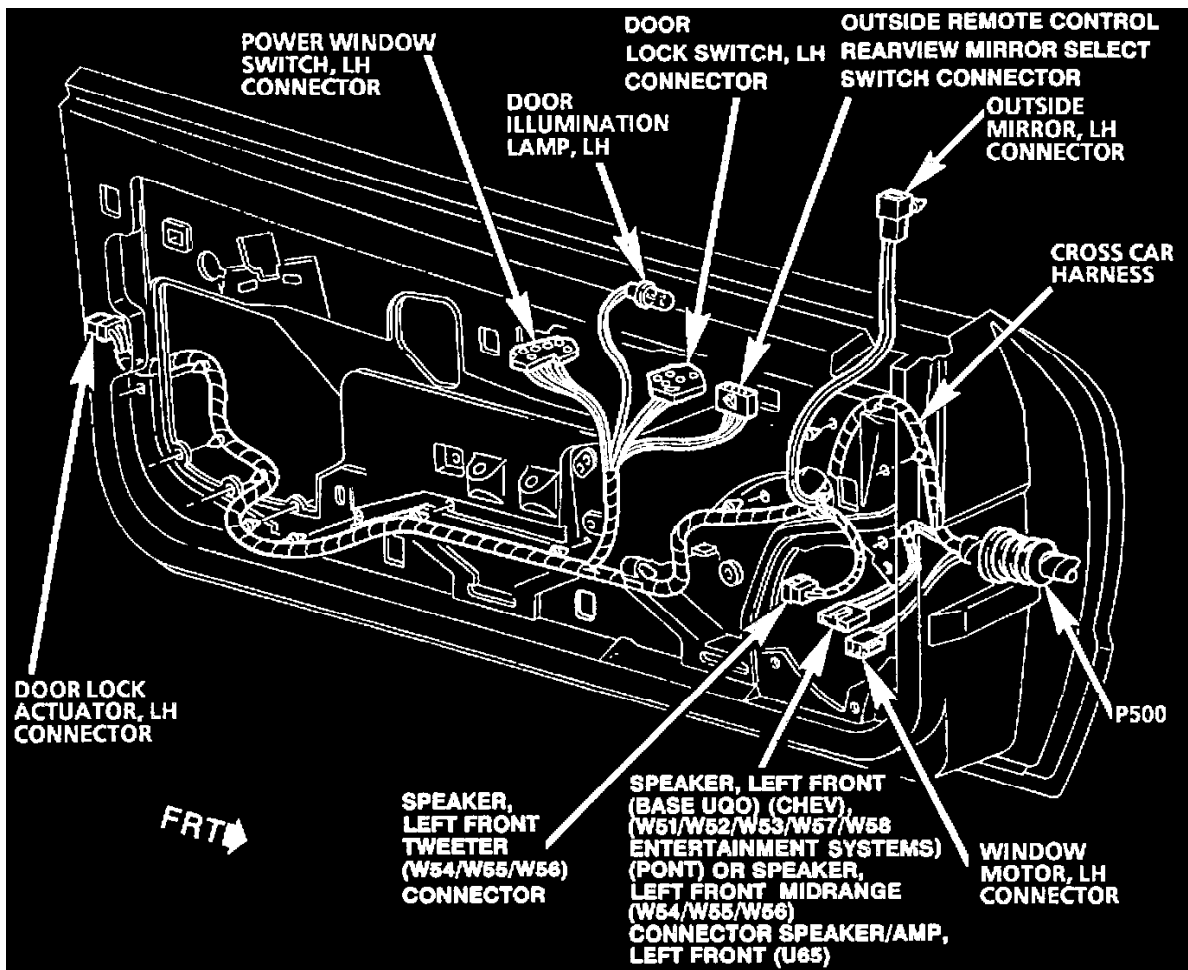
LH Side, Under Console - Manual (M49 Or MM6)

**Left**

Rear Mounted in left sail panel

**Right**

Rear Mounted in right sail panel



Behind LH Door Trim (RH Door Similar)

**Fog Lamp, Right**

Front Lower RH side of front Fascia

**Fog Lamp, Left**

=Front Lower LH side of front Fascia

**Left**

Exterior, left front

**Right**

Exterior, right front

**Left**

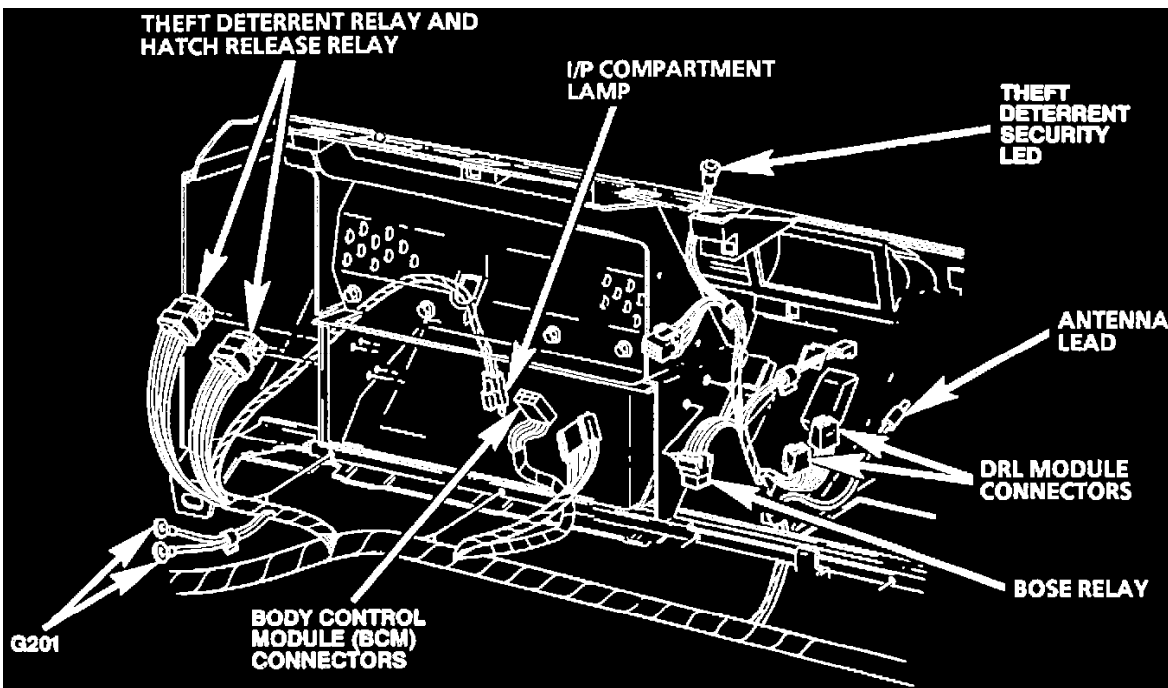
Exterior, left front

**Right**

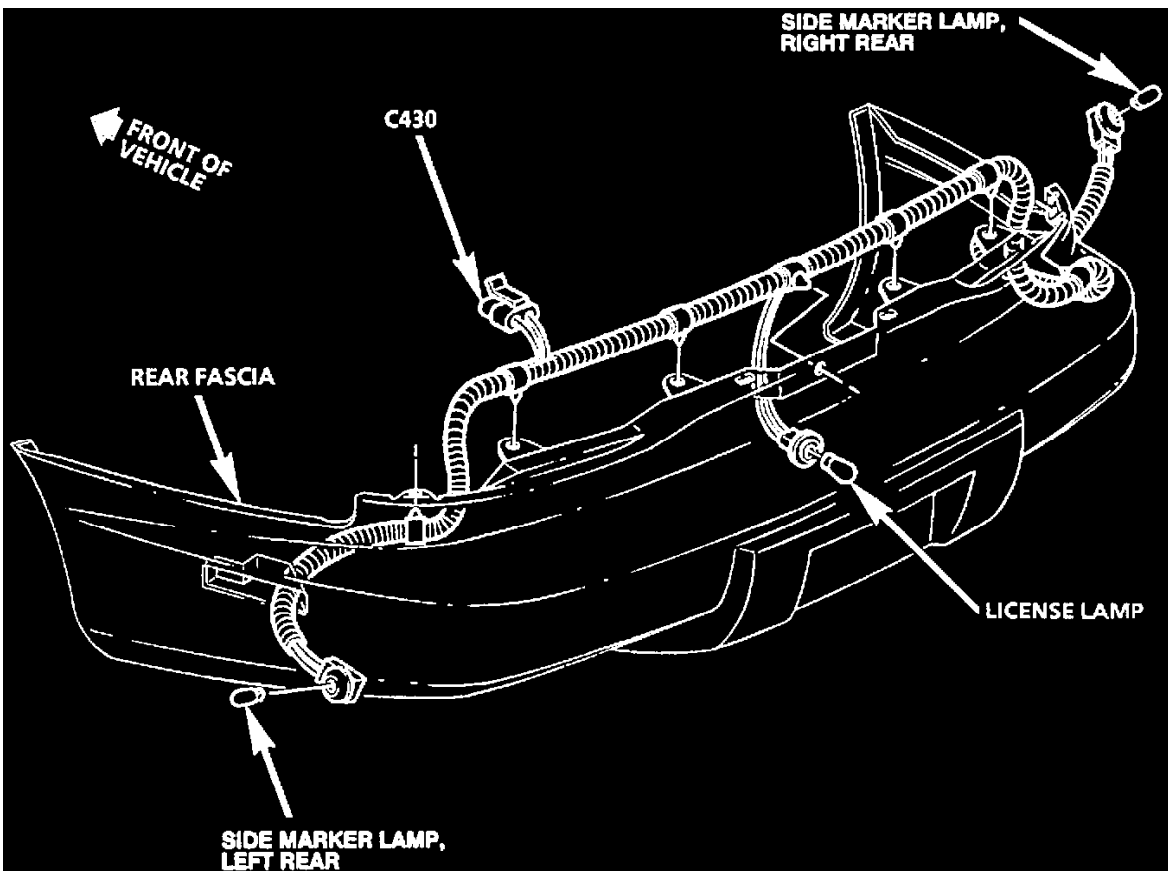
Exterior, right front

**High Mounted Stop Lamp (HMSL)**

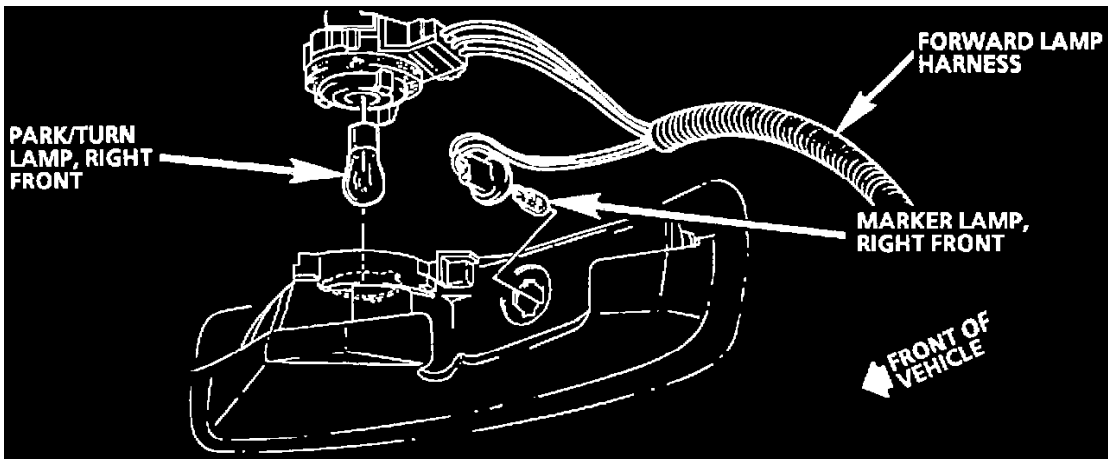
Rear center of Spoiler



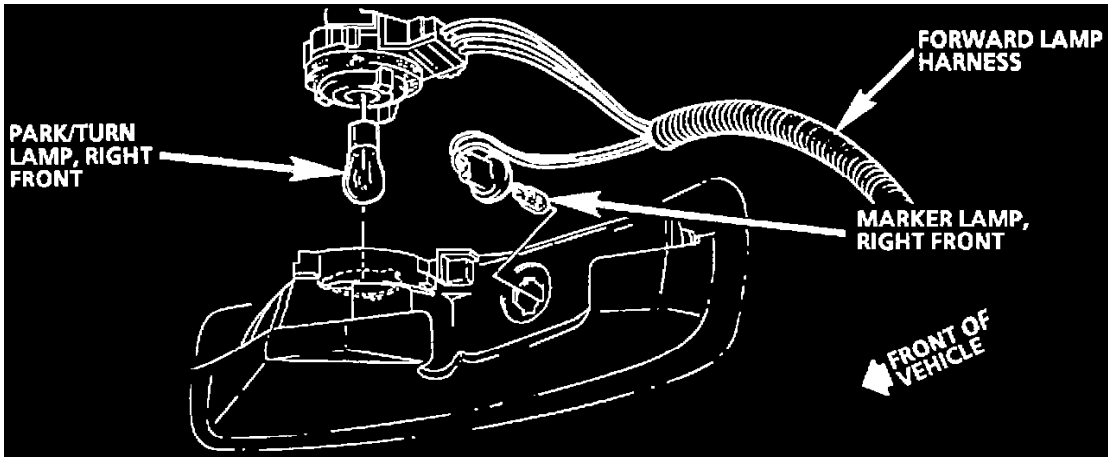
Behind RH Side Of I/P



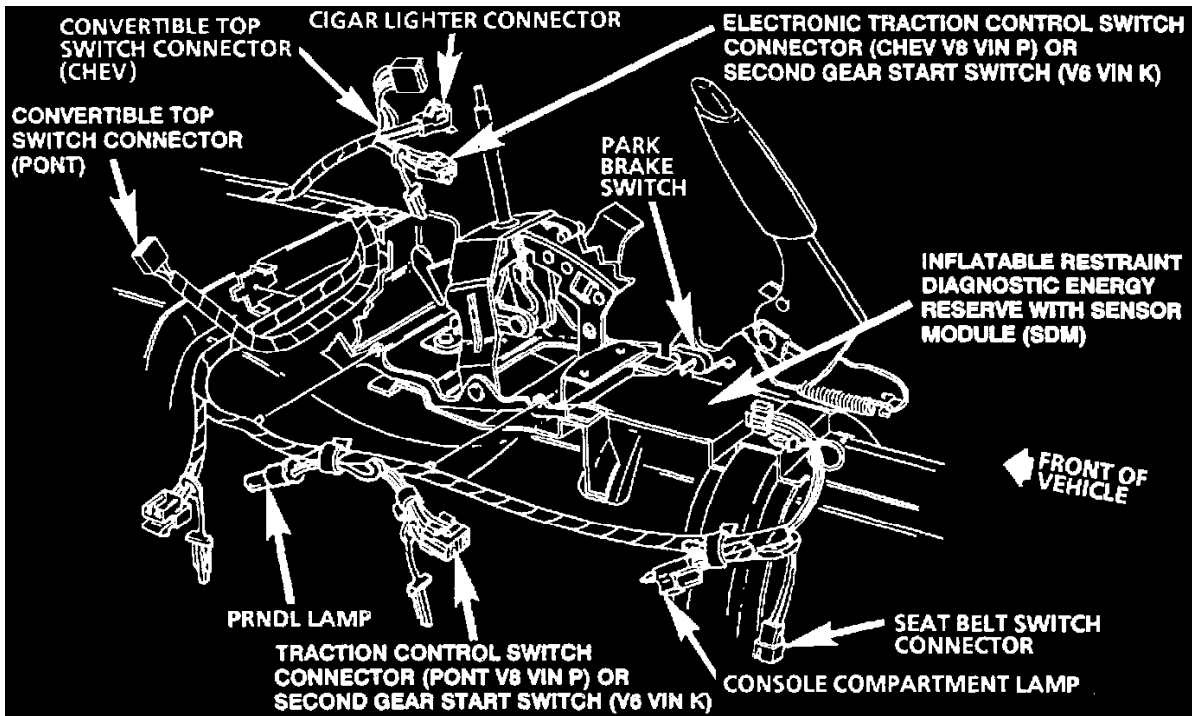
Rear Fascia



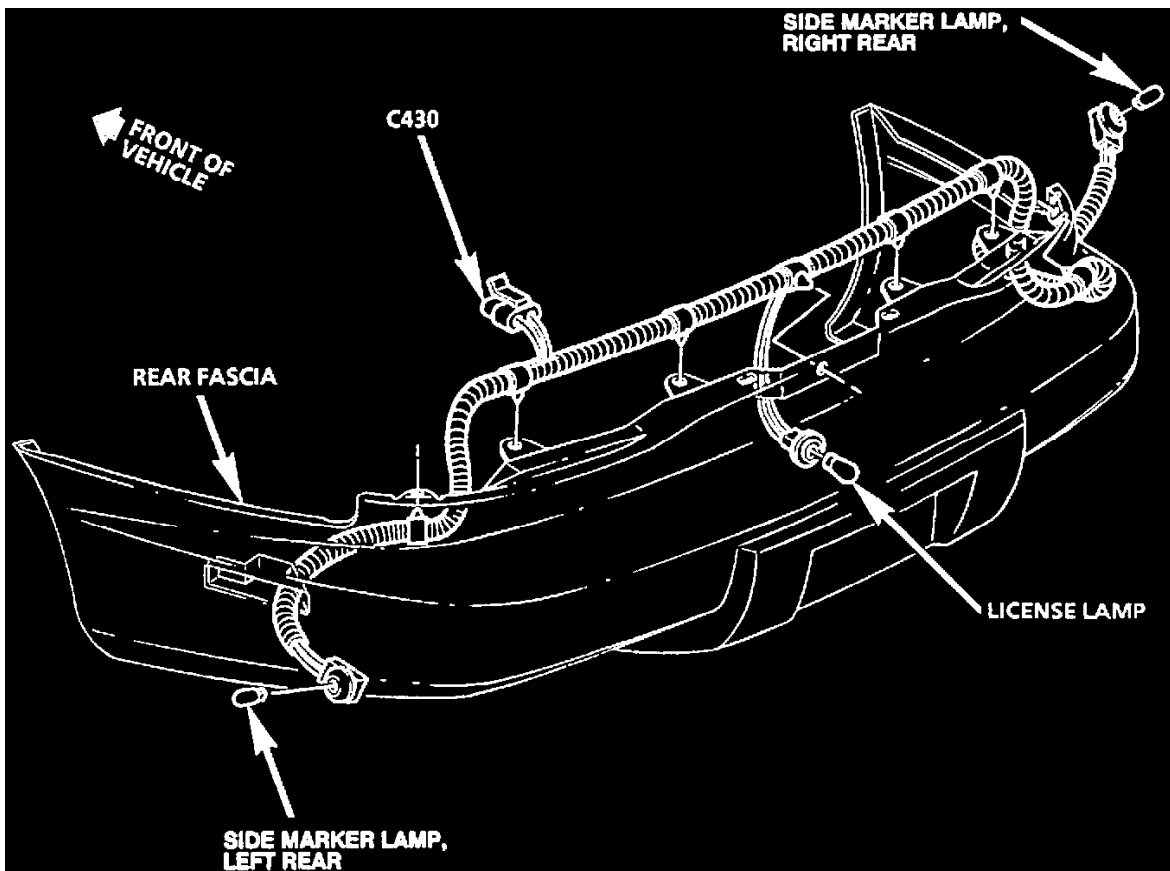
RH Side Of Front Fascia (LH Similar)



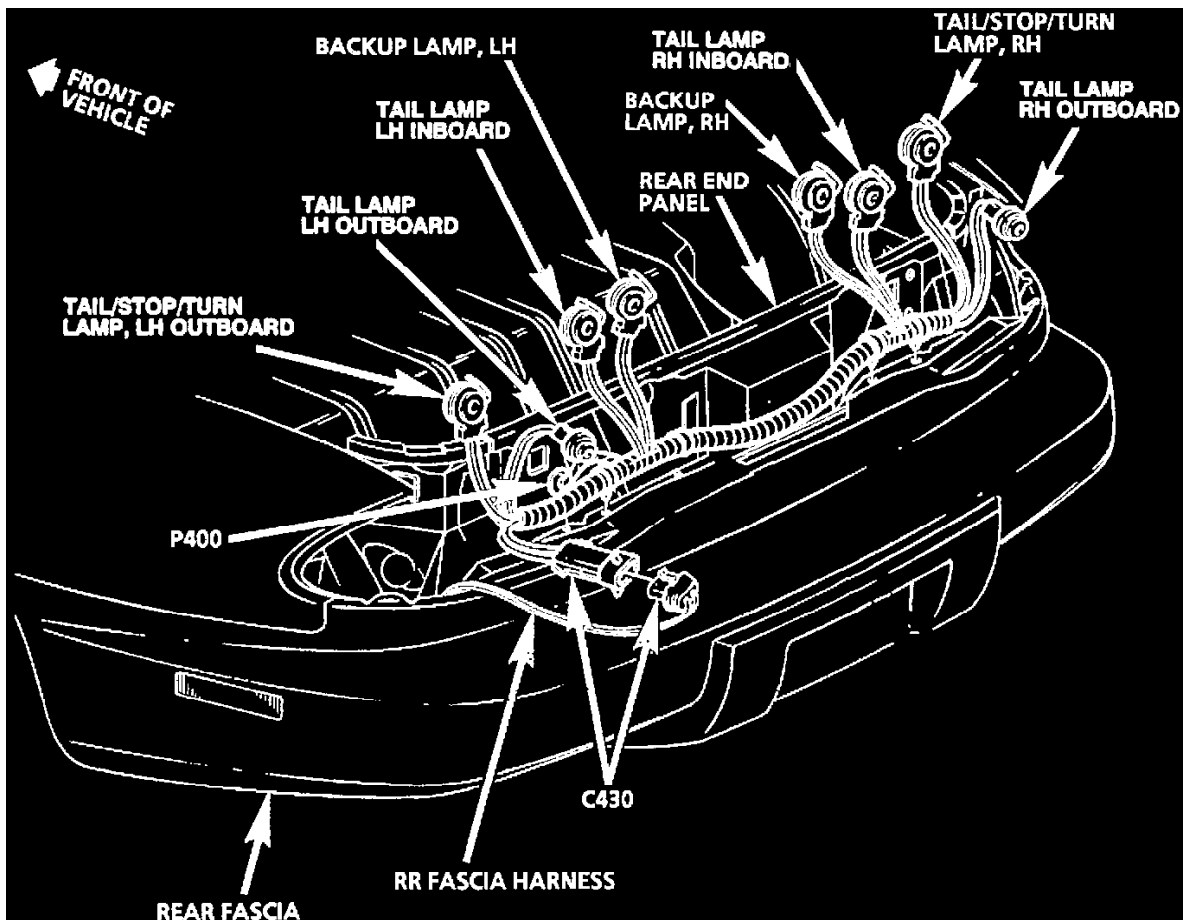
RH Side Of Front Fascia (LH Similar)



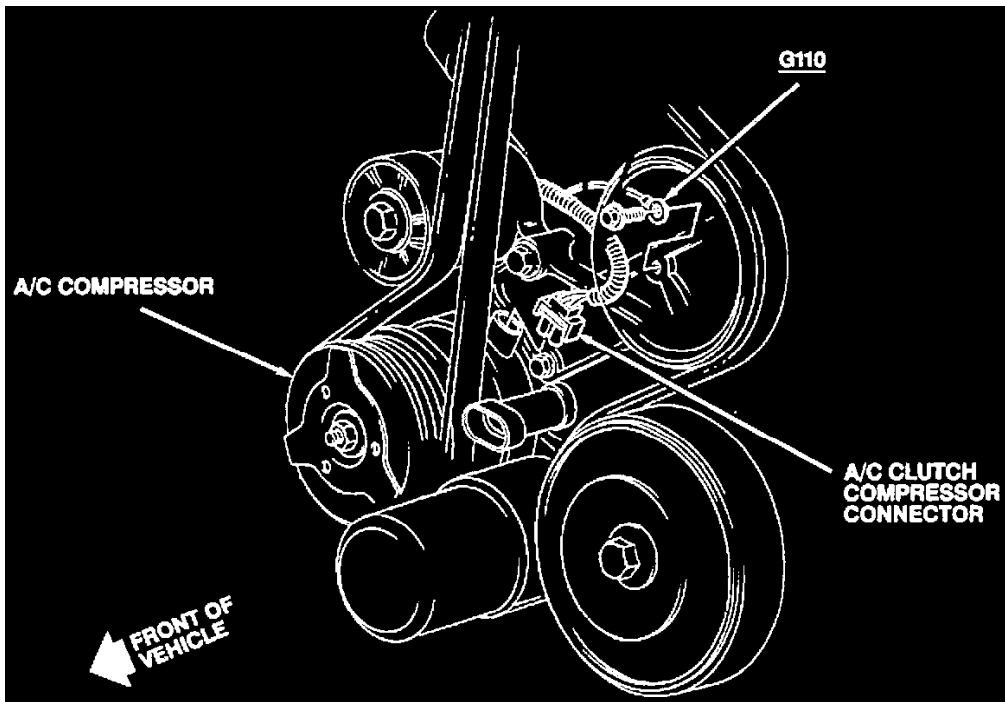
LH Side, Under Console - Automatic (M30)



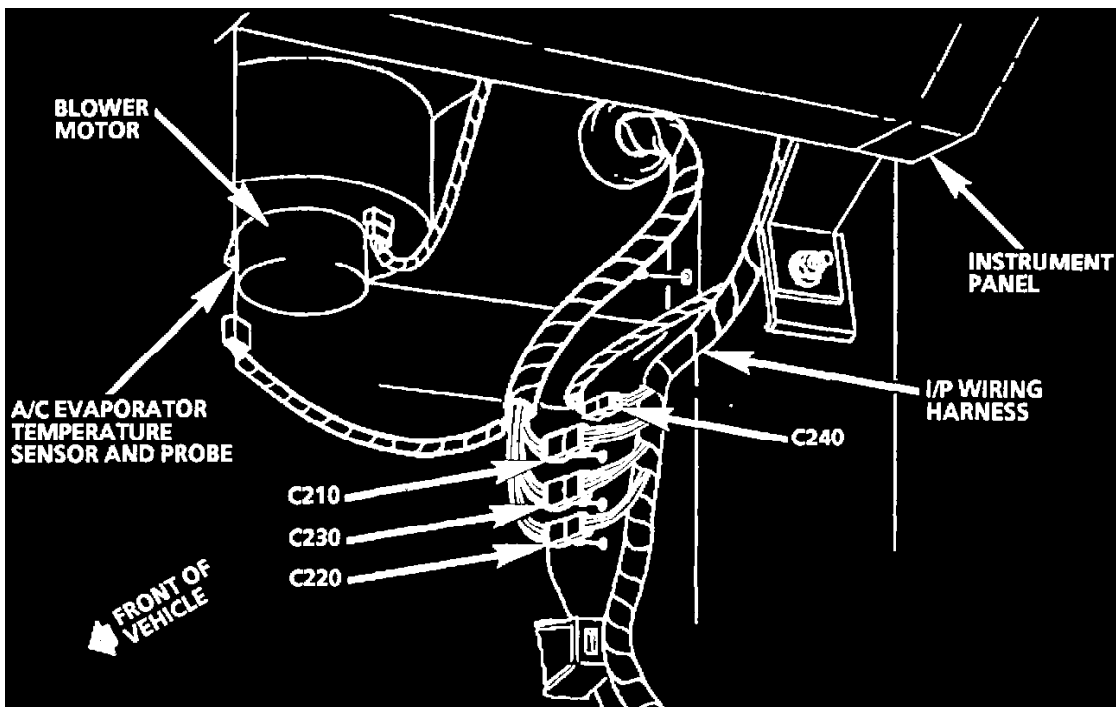
Rear Fascia



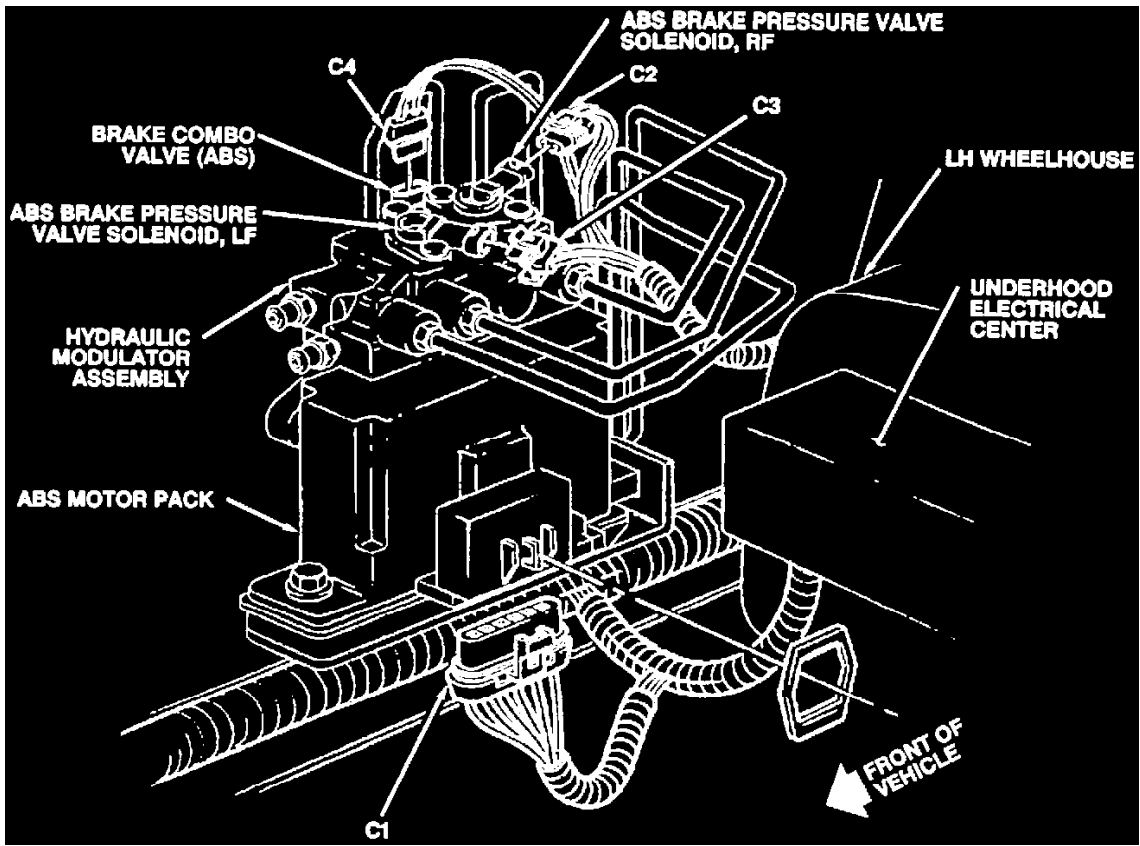
Rear Of Vehicle (Chevy, Pont Similar)



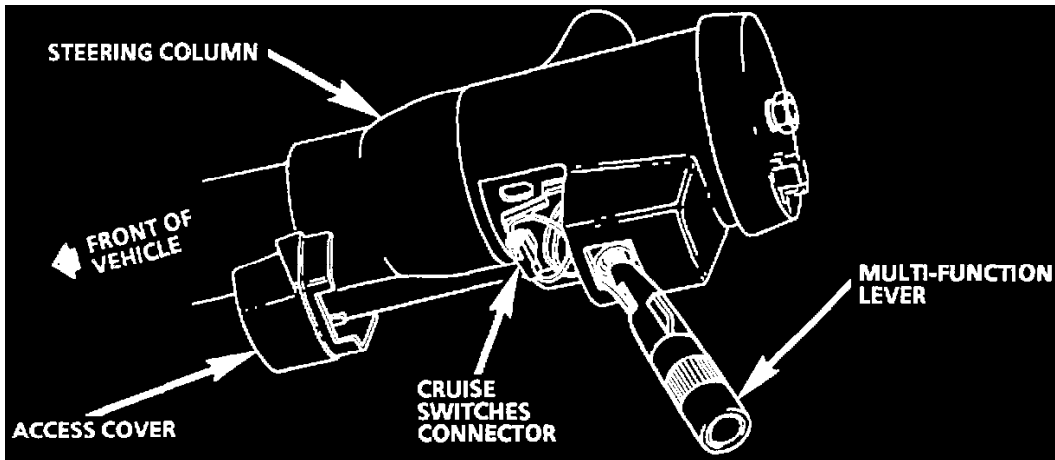
Front RH Side Of Engine



Behind Lower RH Side Of I/P

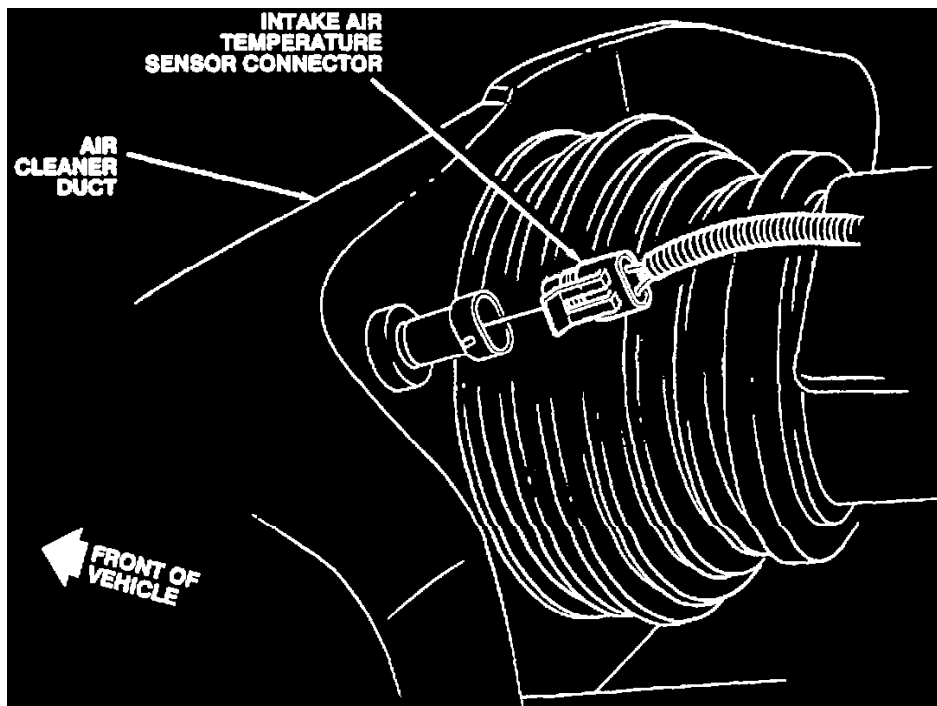


Front LH Side Of Engine Compartment

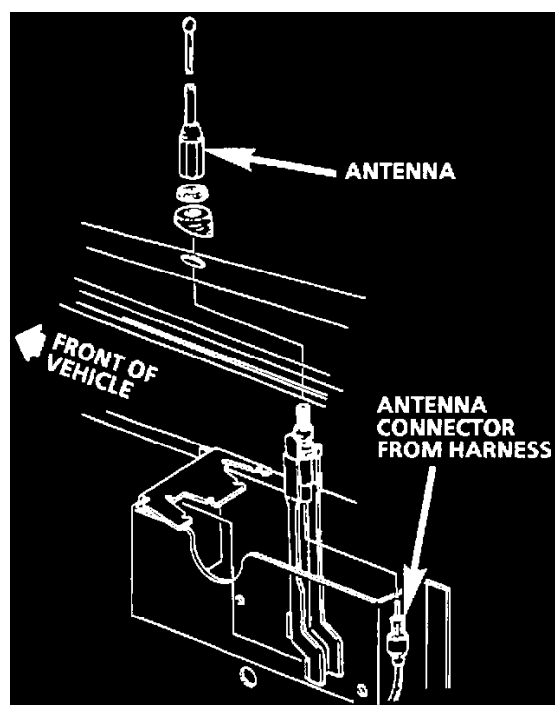


Steering Column

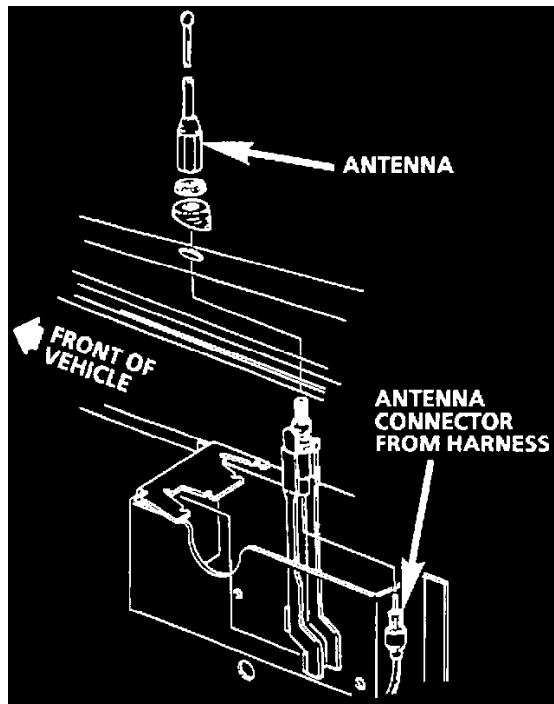




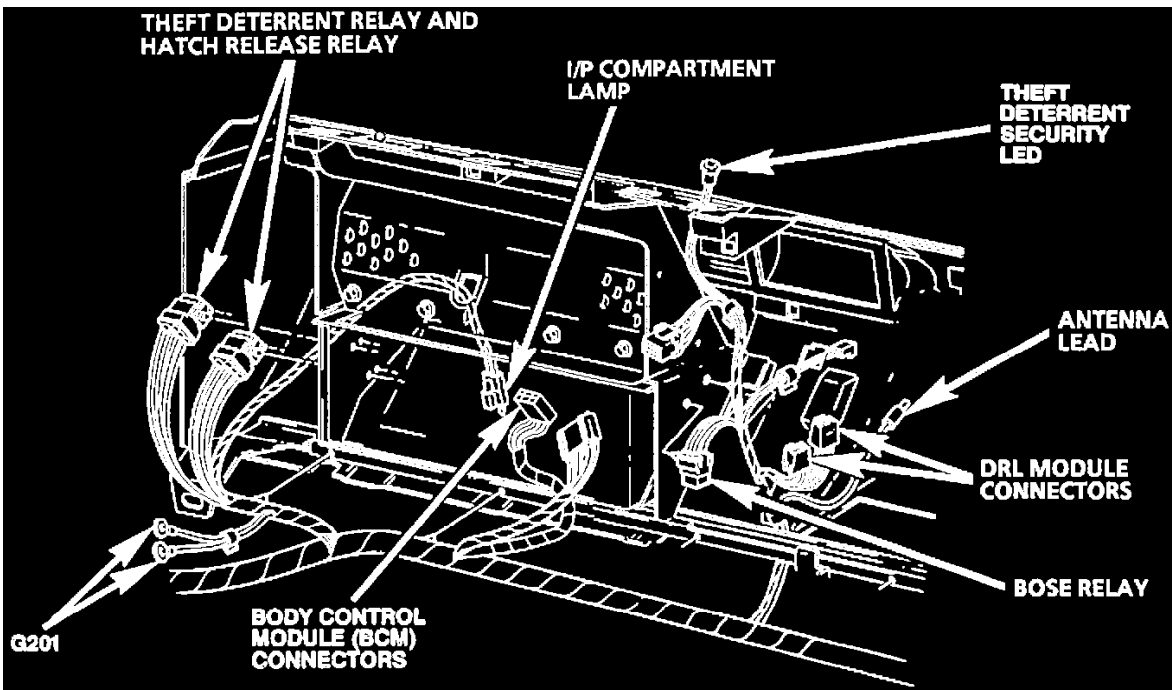
Rear Of Air Cleaner Duct



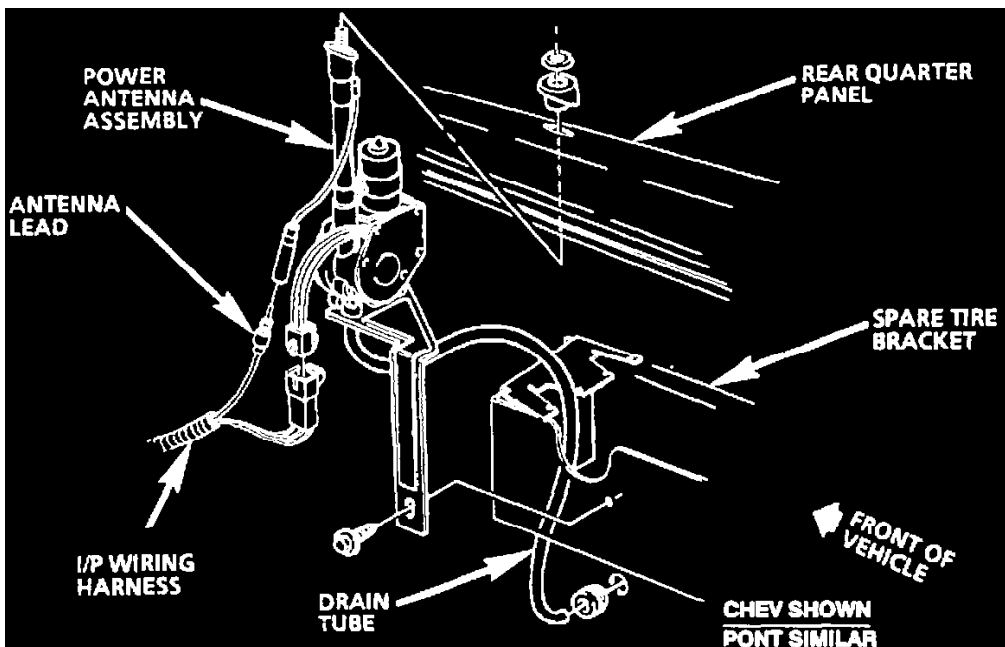
Right Rear Quarter Panel



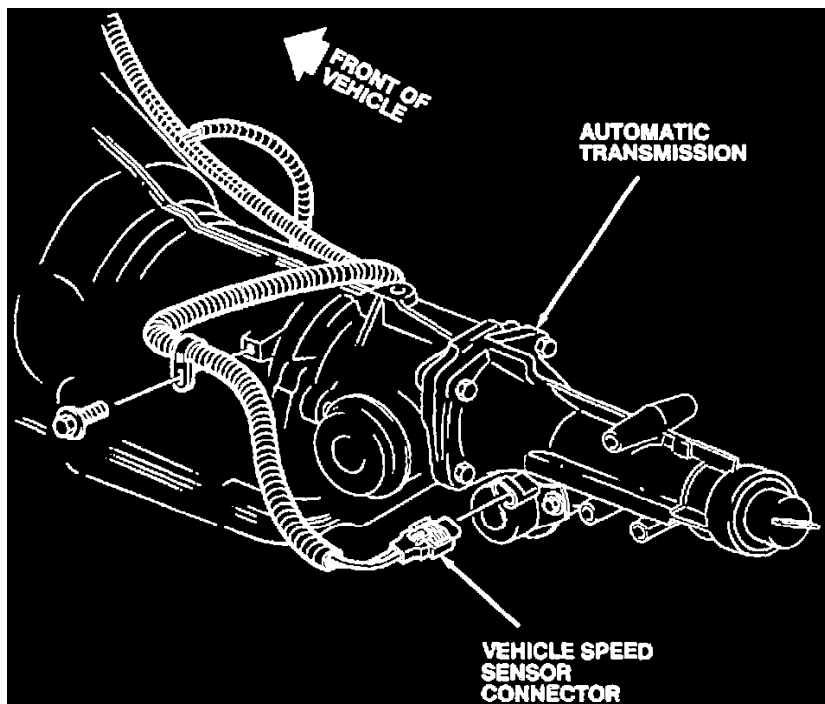
Right Rear Quarter Panel



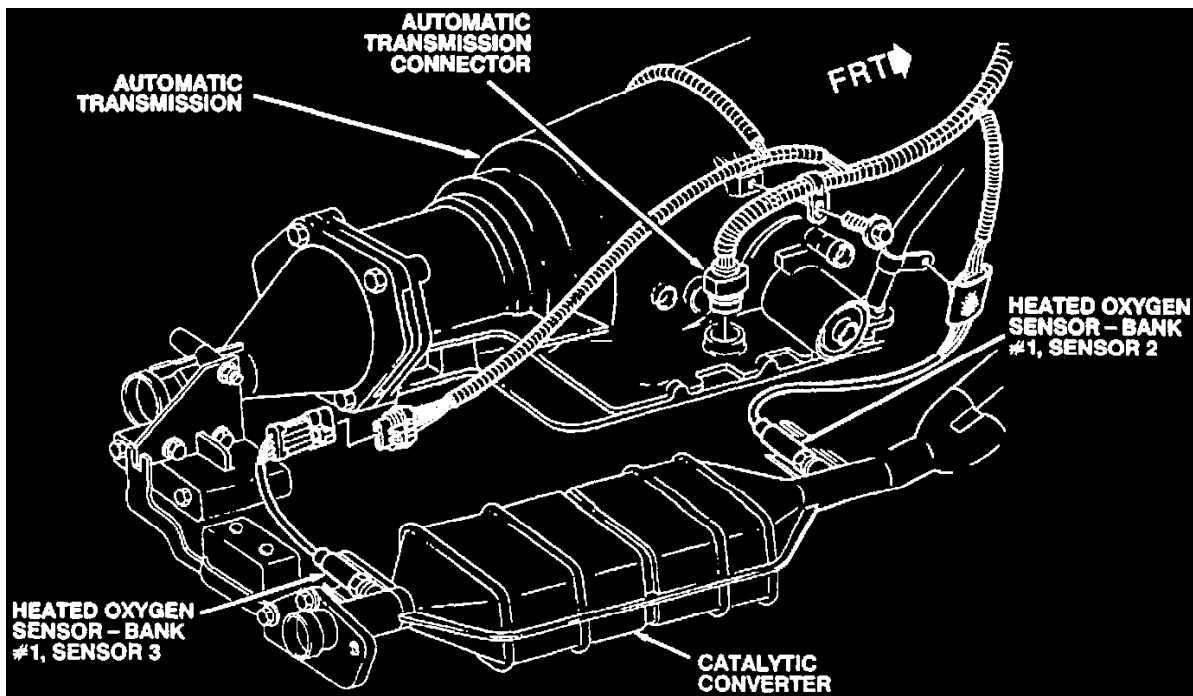
Behind RH Side Of I/P



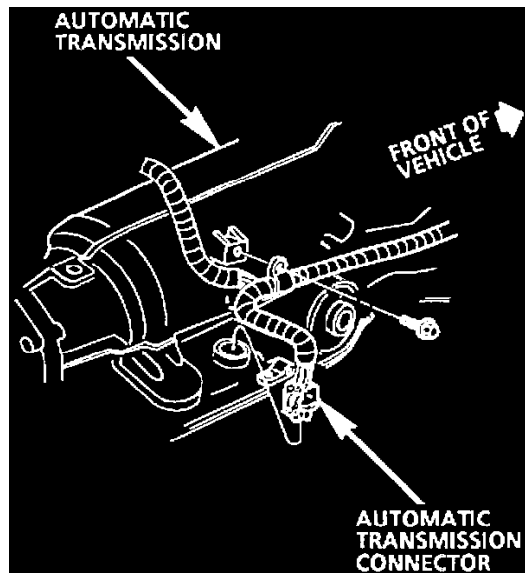
Behind Right Rear Interior Quarter Trim Panel



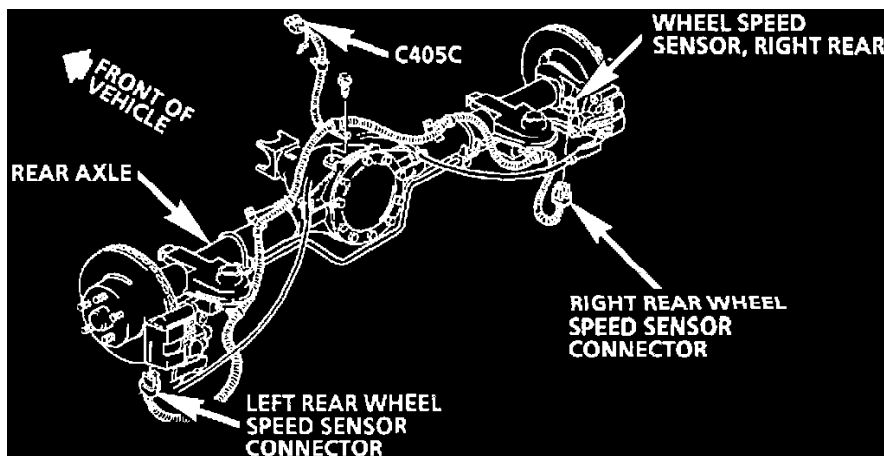
LH Side Of Automatic Transmission



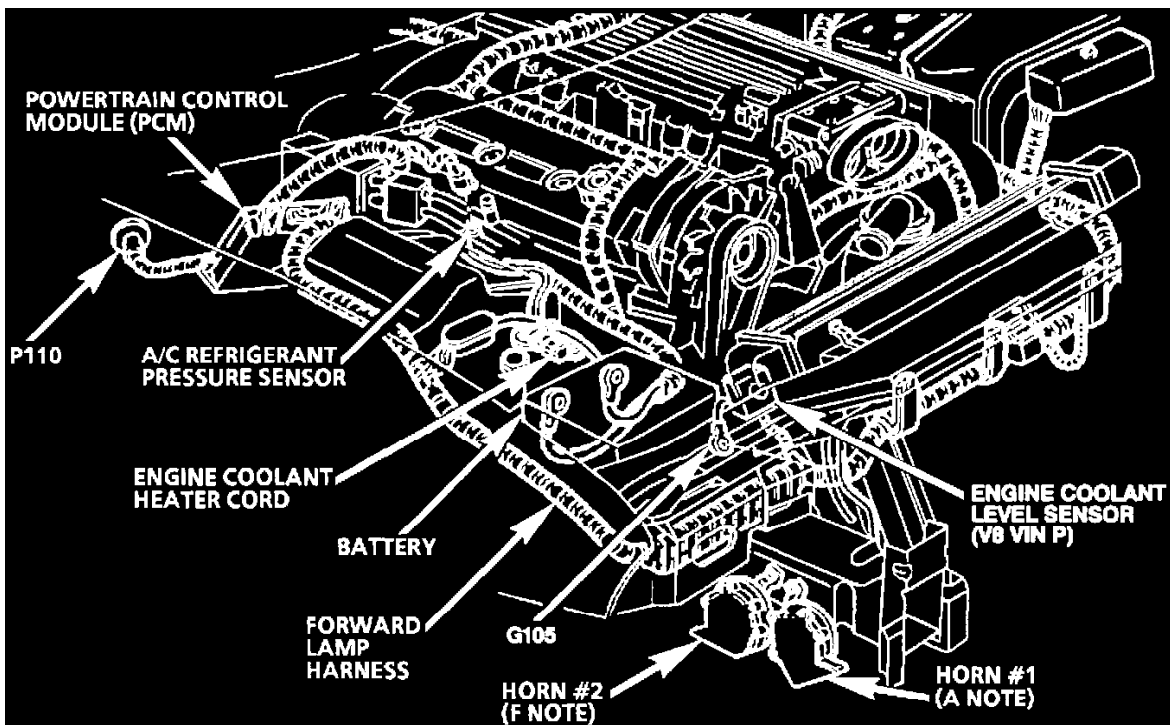
**RH Side Of Automatic Transmission**



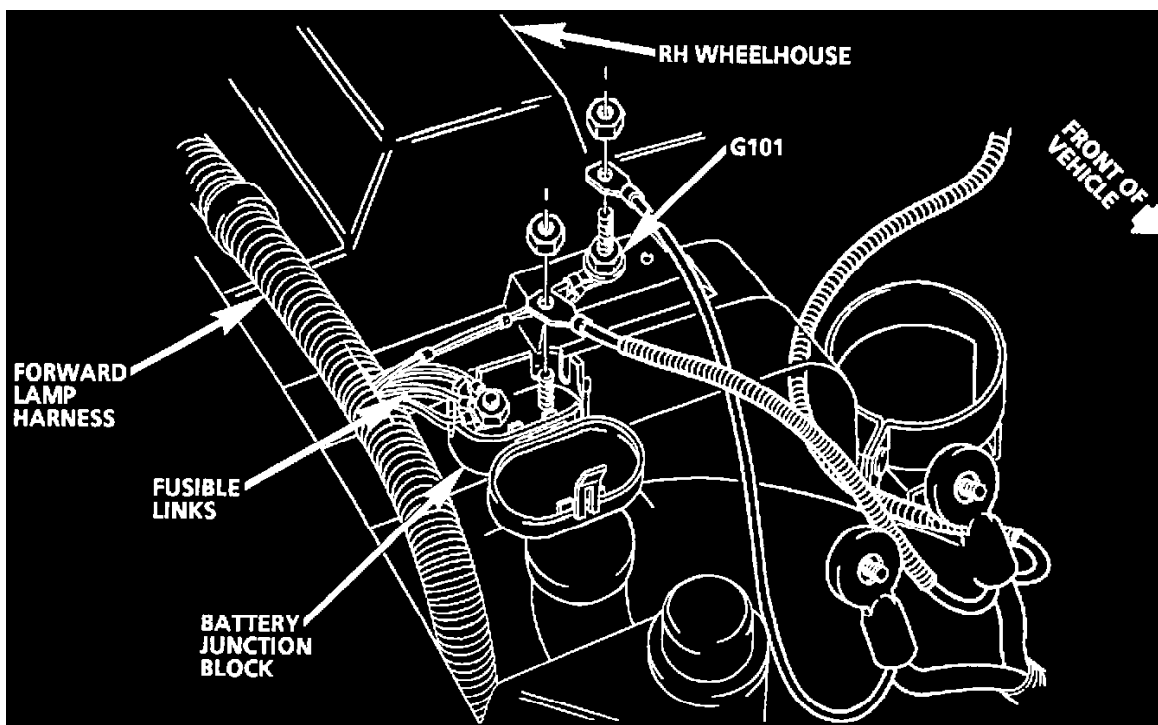
**RH Side Of Automatic Transmission (M30)**



**Rear Axle And Differential (With NW9)**



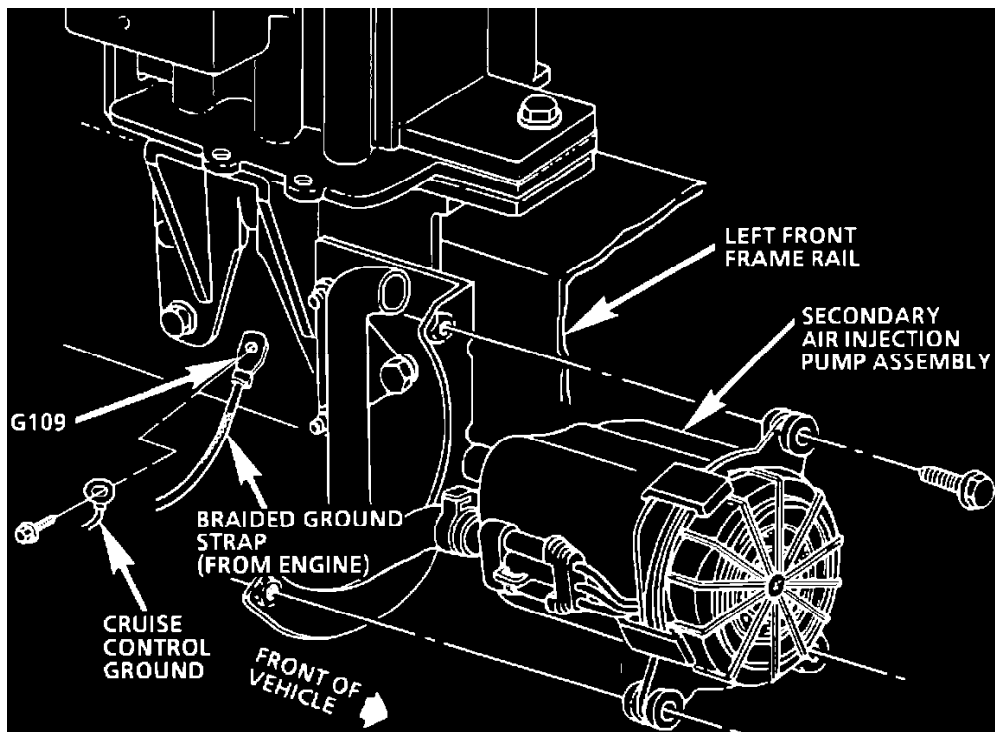
Engine Compartment



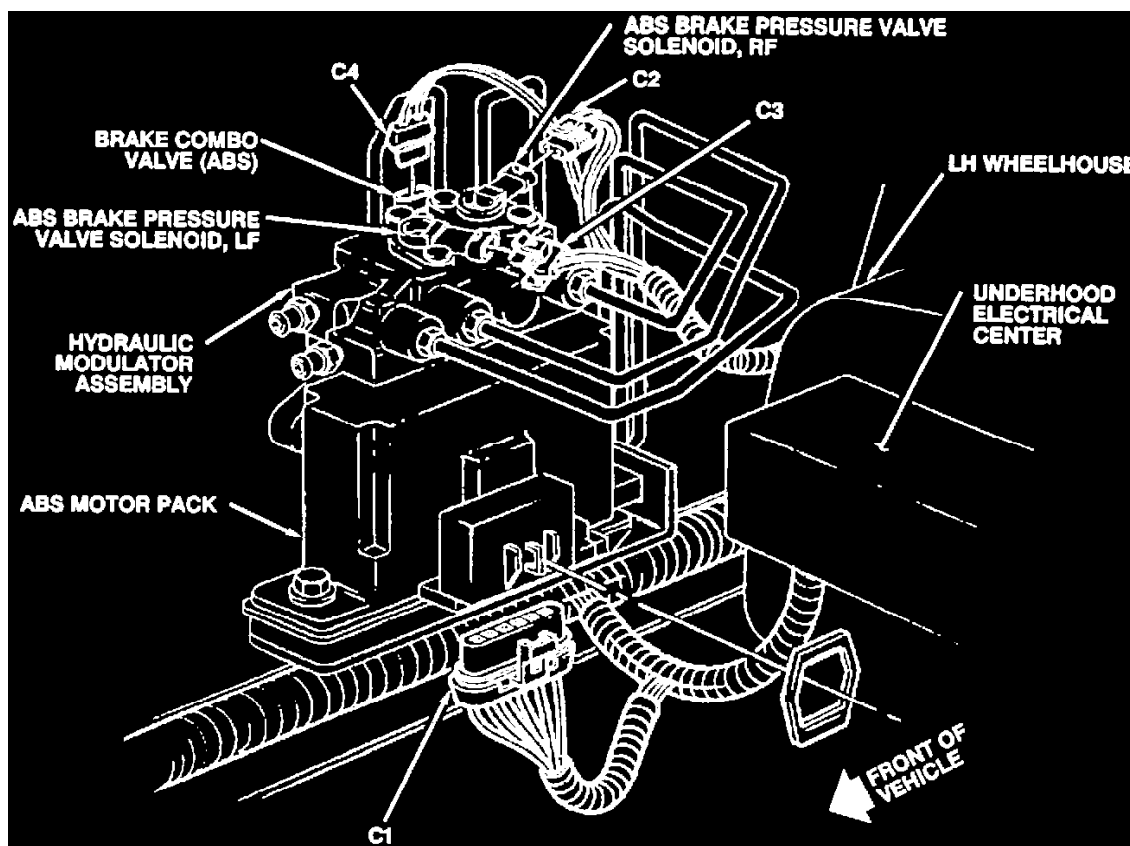
RH Wheel House

### Blower Resistor

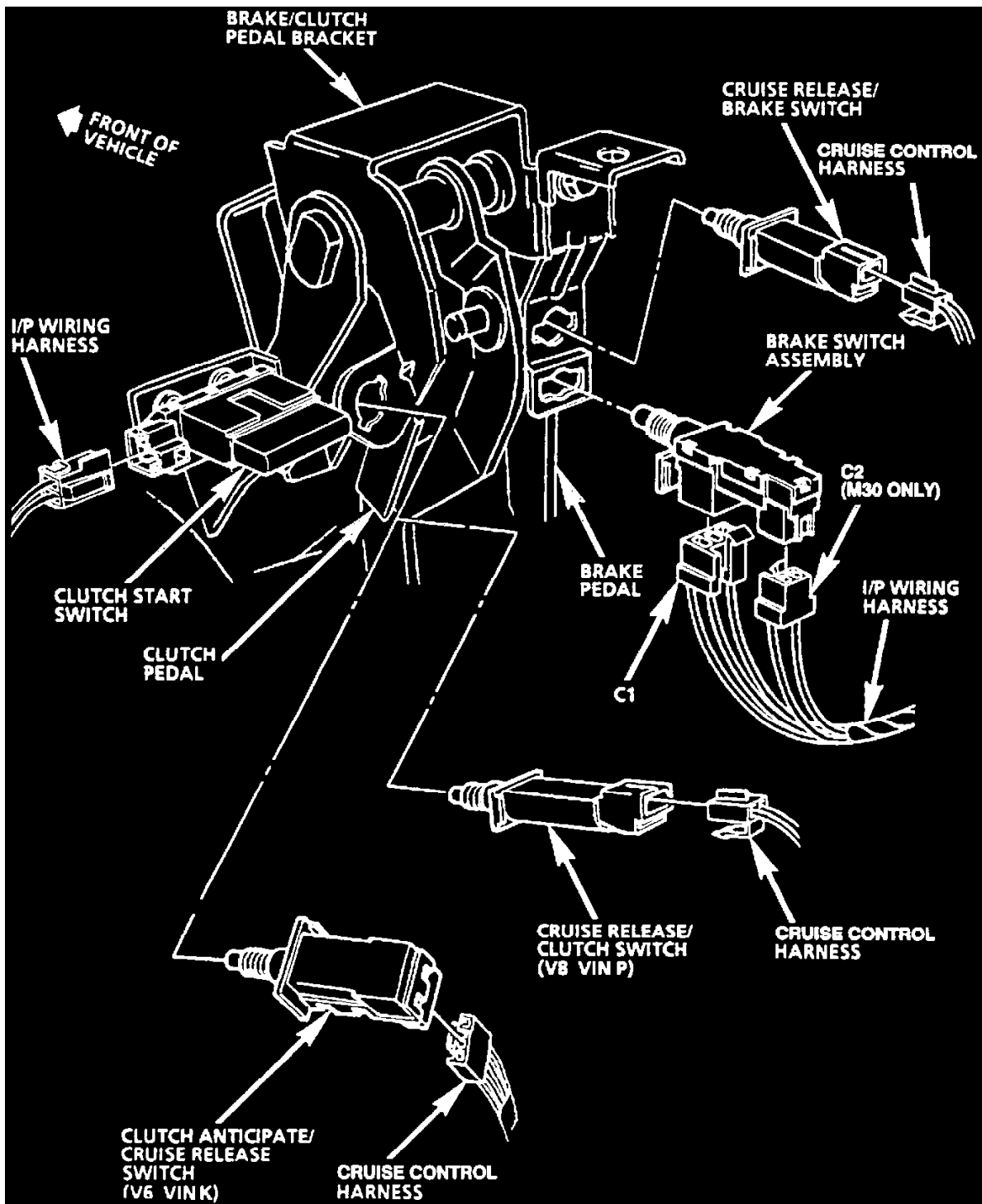
In HVAC Module, forward and left of Temperature Control Cable Attachment



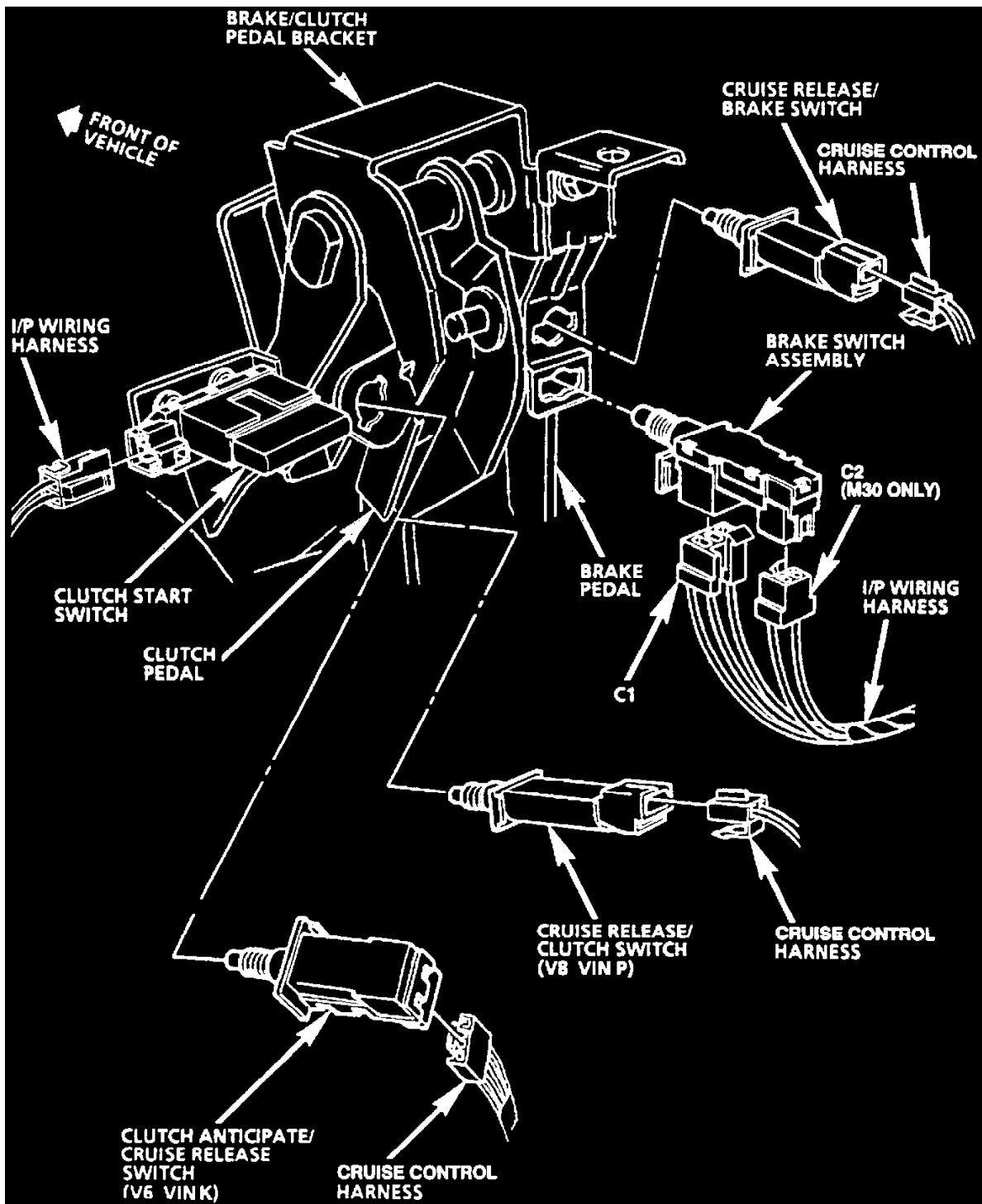
LH Front Frame Rail



Front LH Side Of Engine Compartment

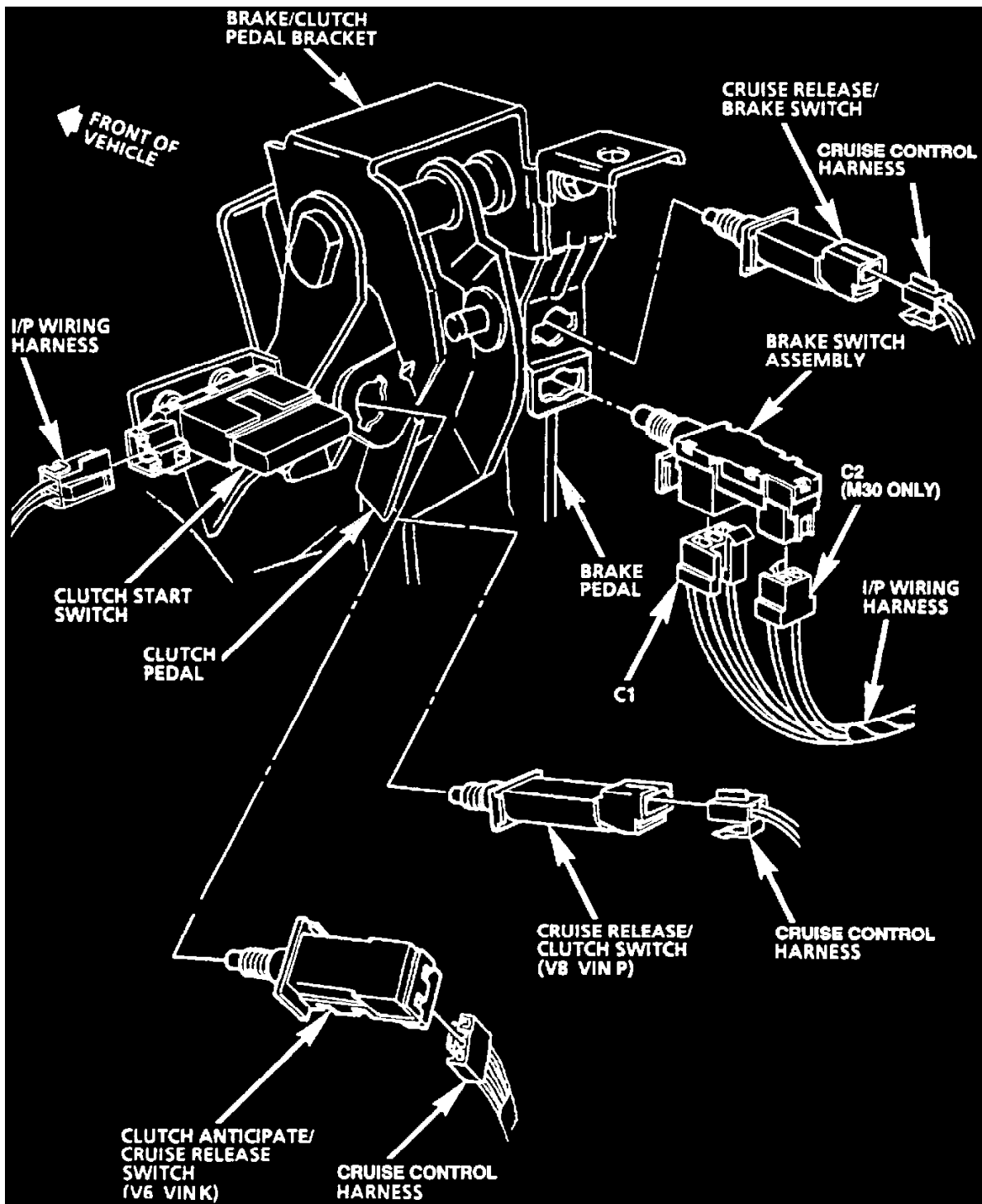


Under LH Side Of I/P



Under LH Side Of I/P

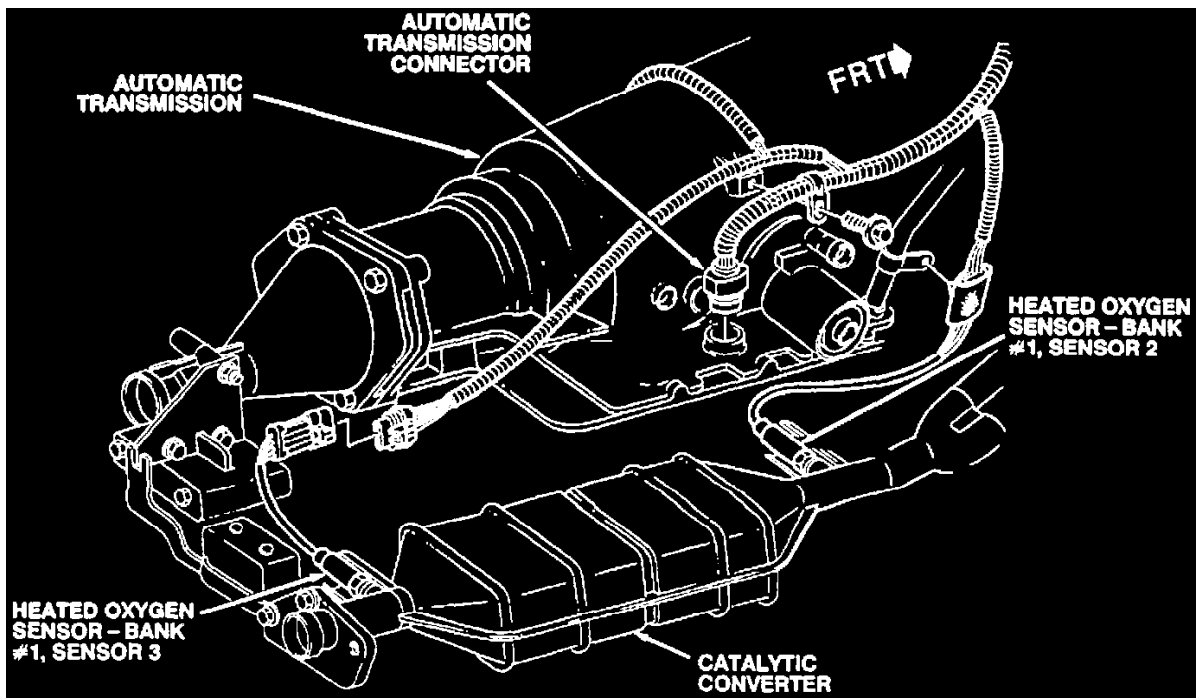




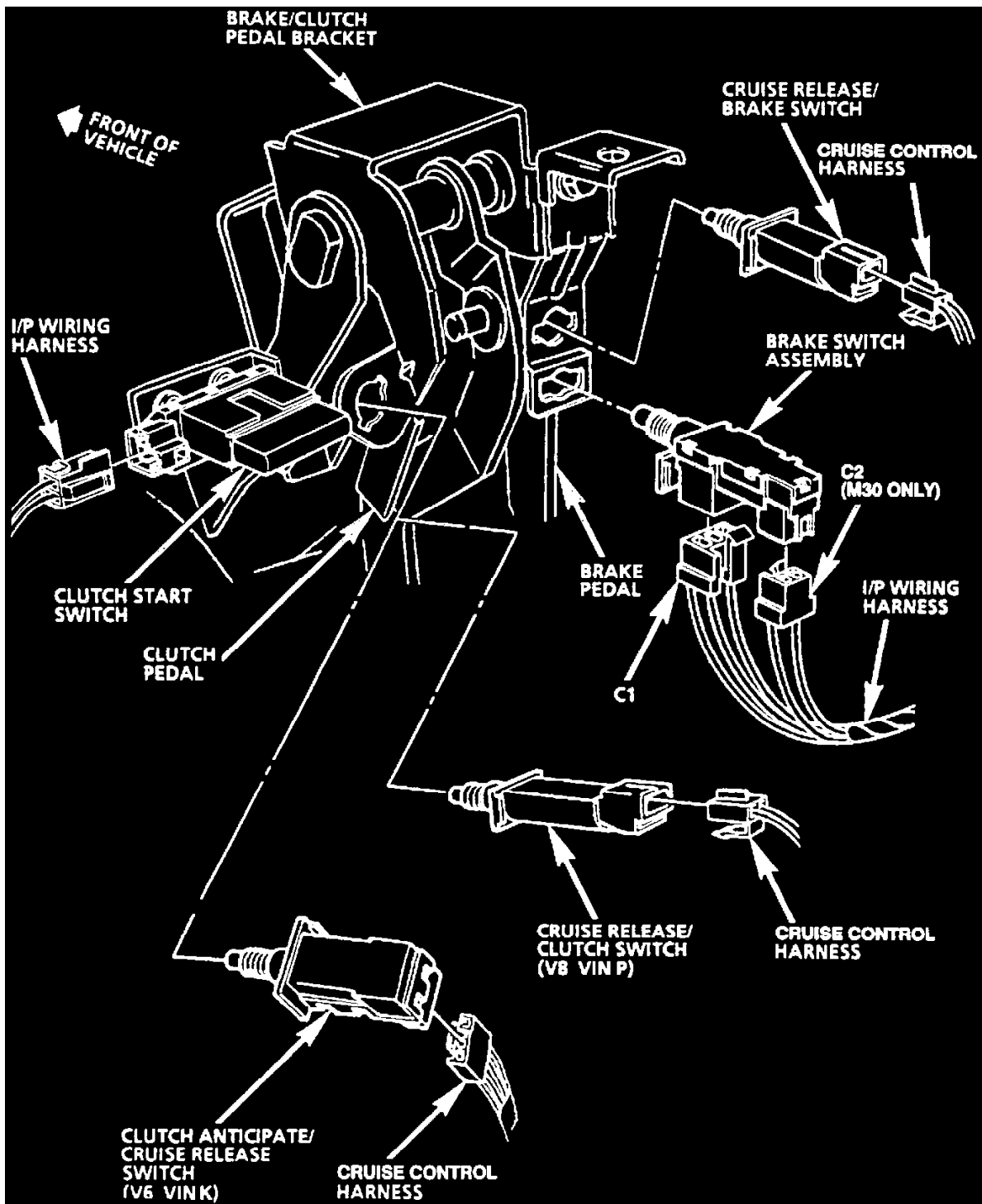
Under LH Side Of I/P

### BTISI Isolation Diode

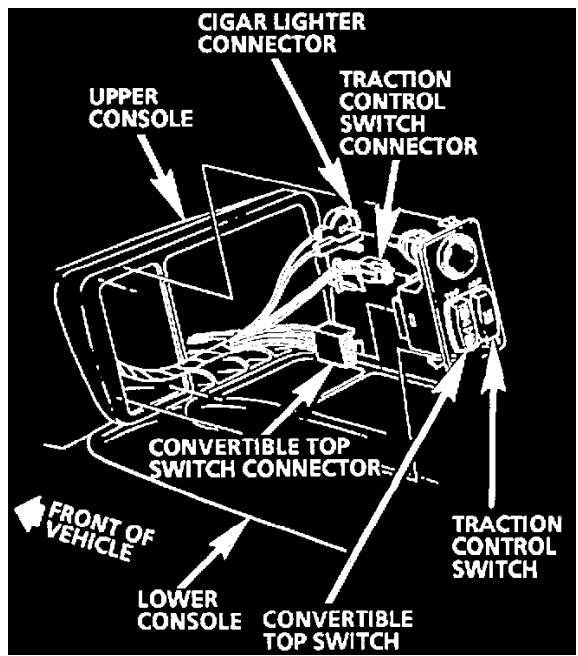
Sealed in harness, approx 6 cm from Inflatable Restraint Diagnostic Energy Reserve (with Sensor) Module (SDM) breakout



RH Side Of Automatic Transmission

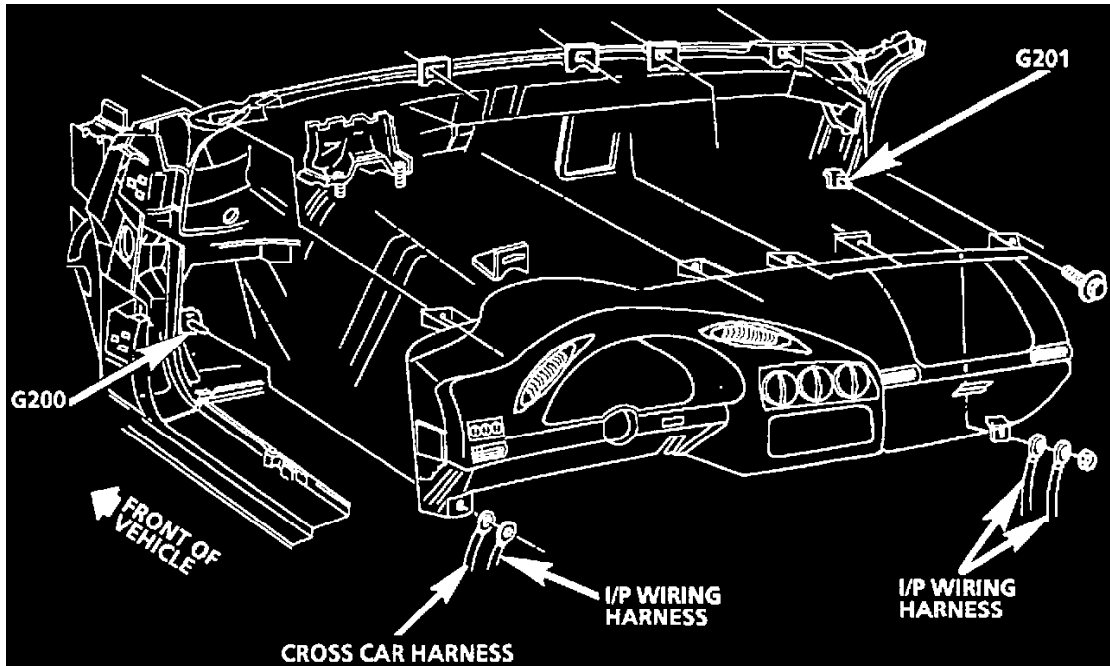


Under LH Side Of I/P

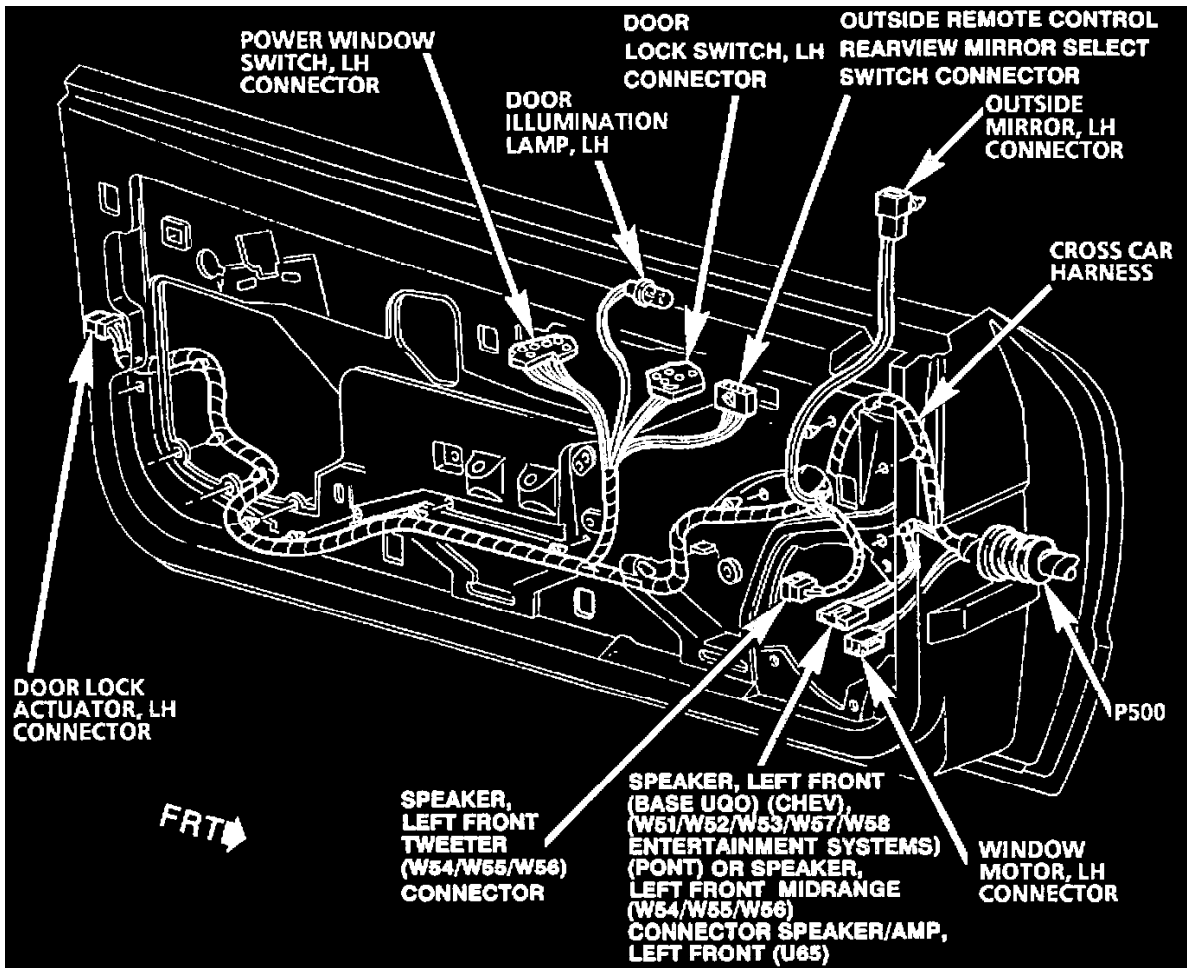


Left Side Of Upper Console

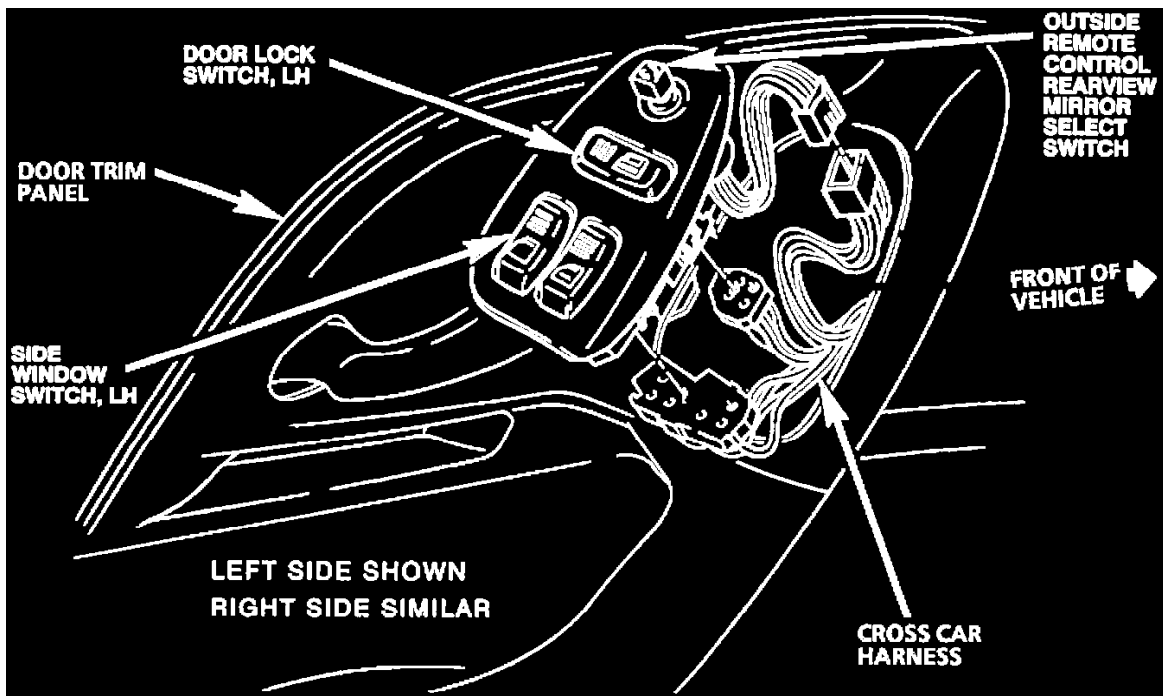
### Cross Car Harness



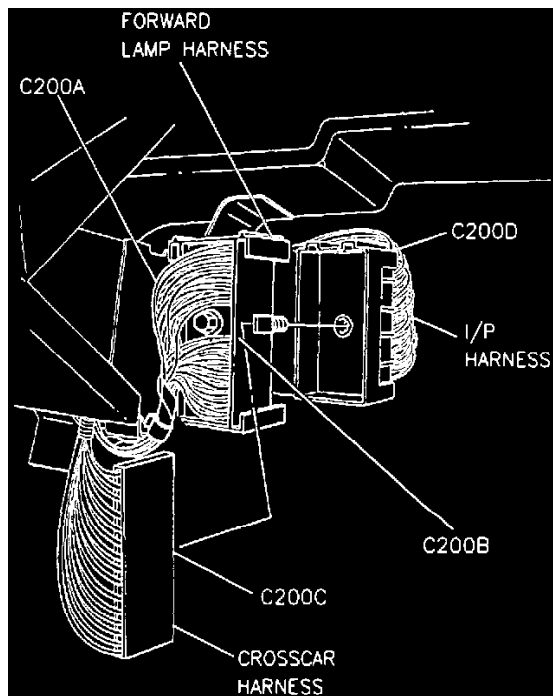
I/P Grounds (Chevy Shown Pontiac Similar)



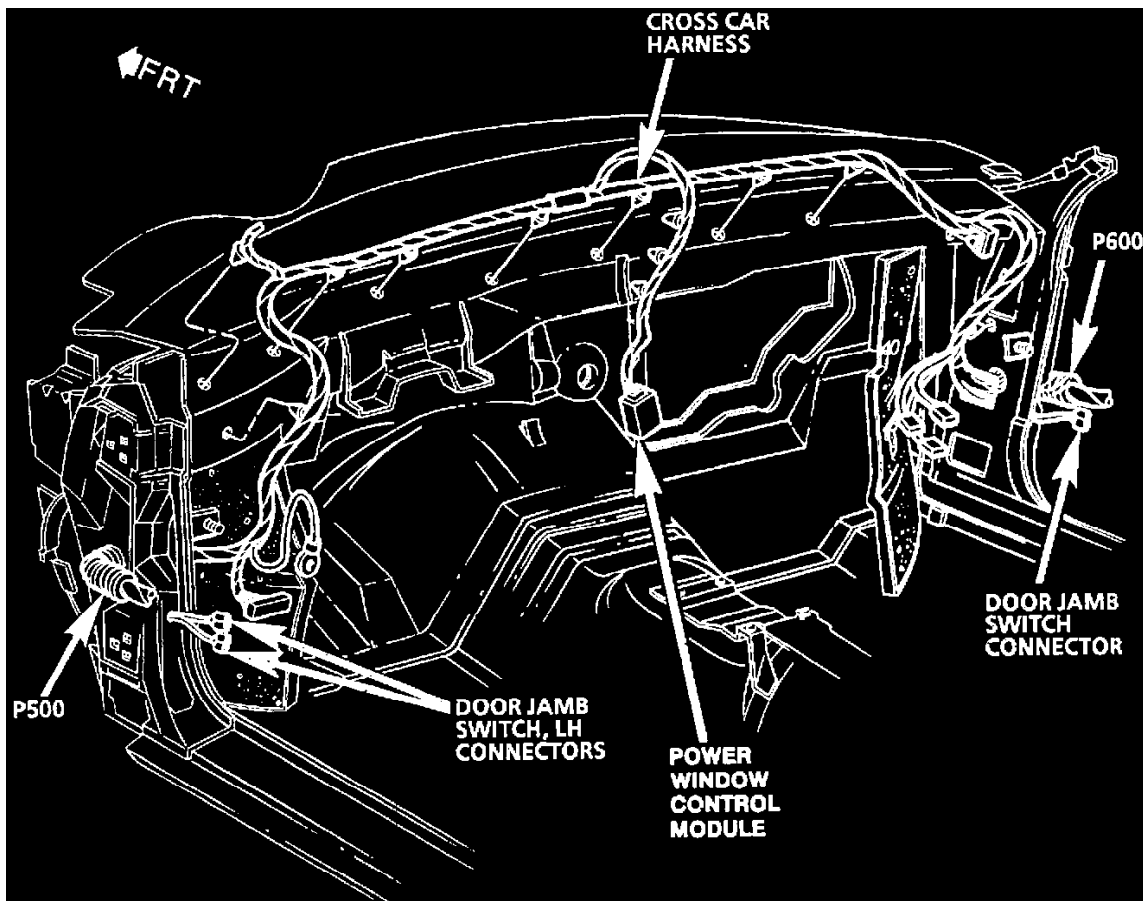
Behind LH Door Trim (RH Door Similar)



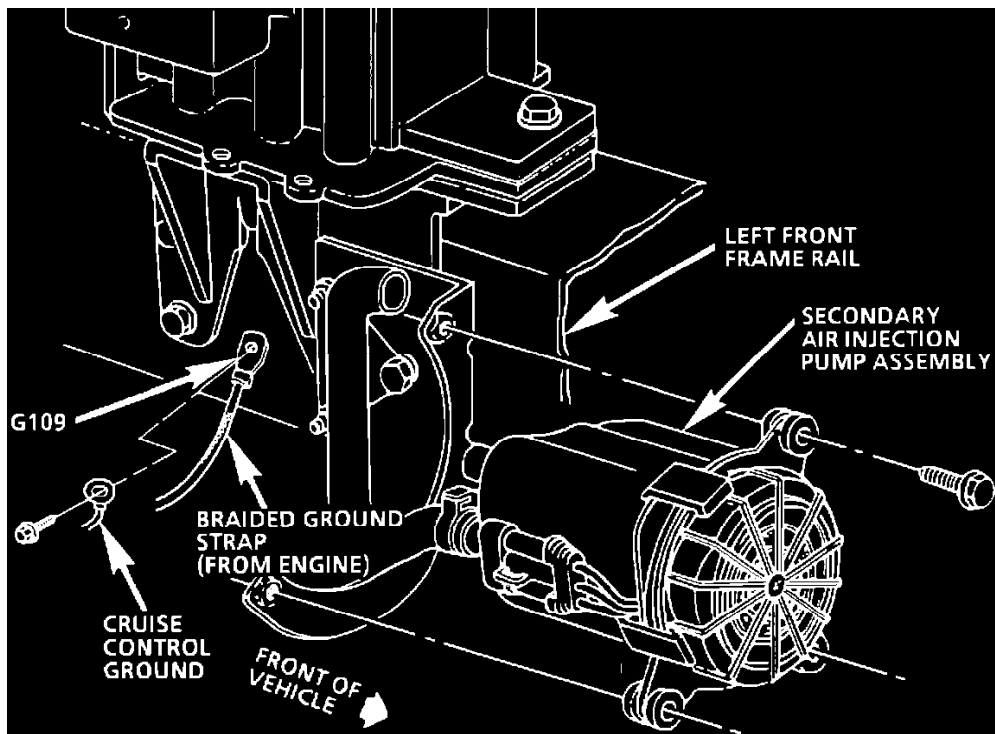
LH Door Armrest



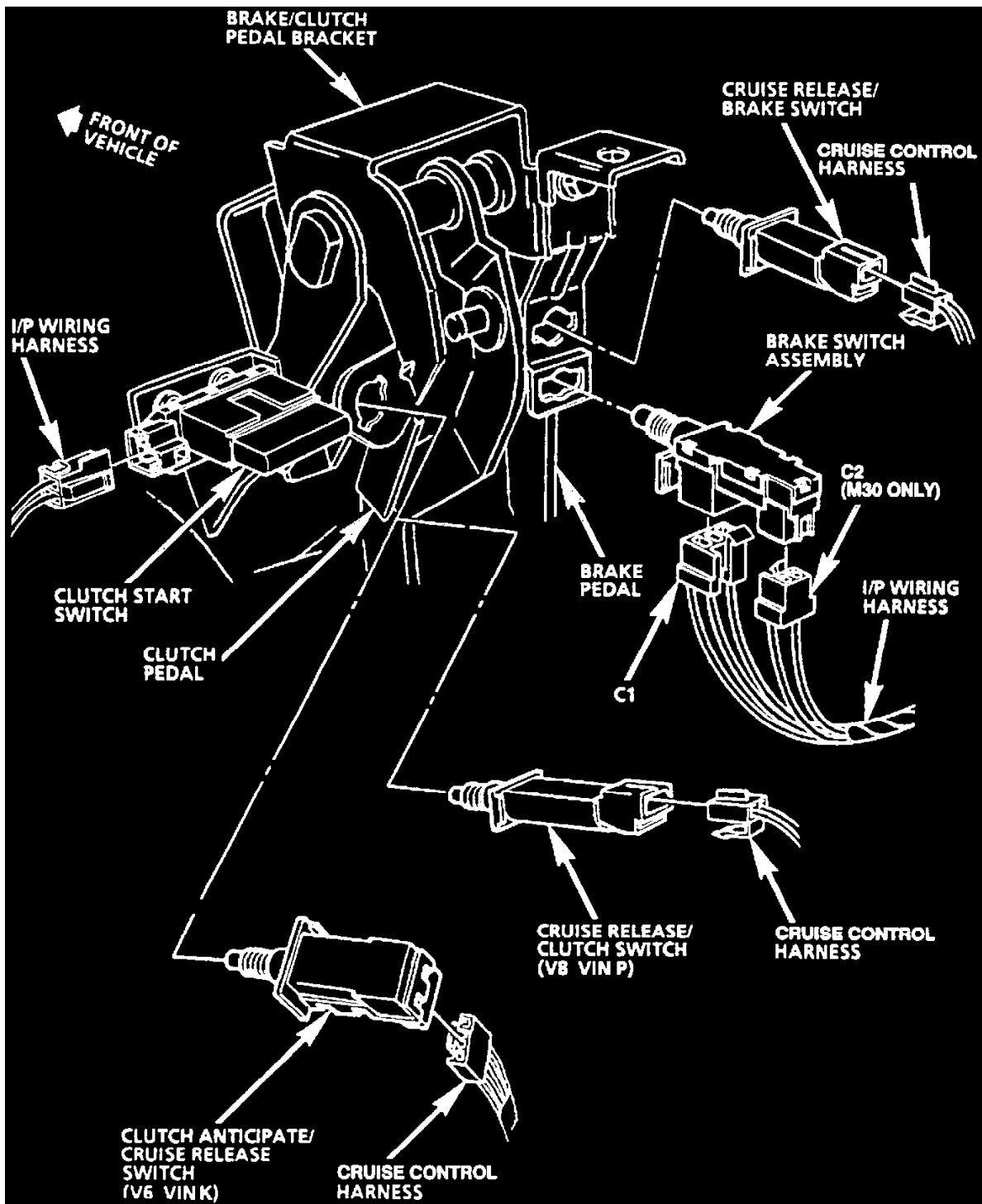
Between LH Kick Panel And Steering Column



Dash Panel With Cross Car Harness

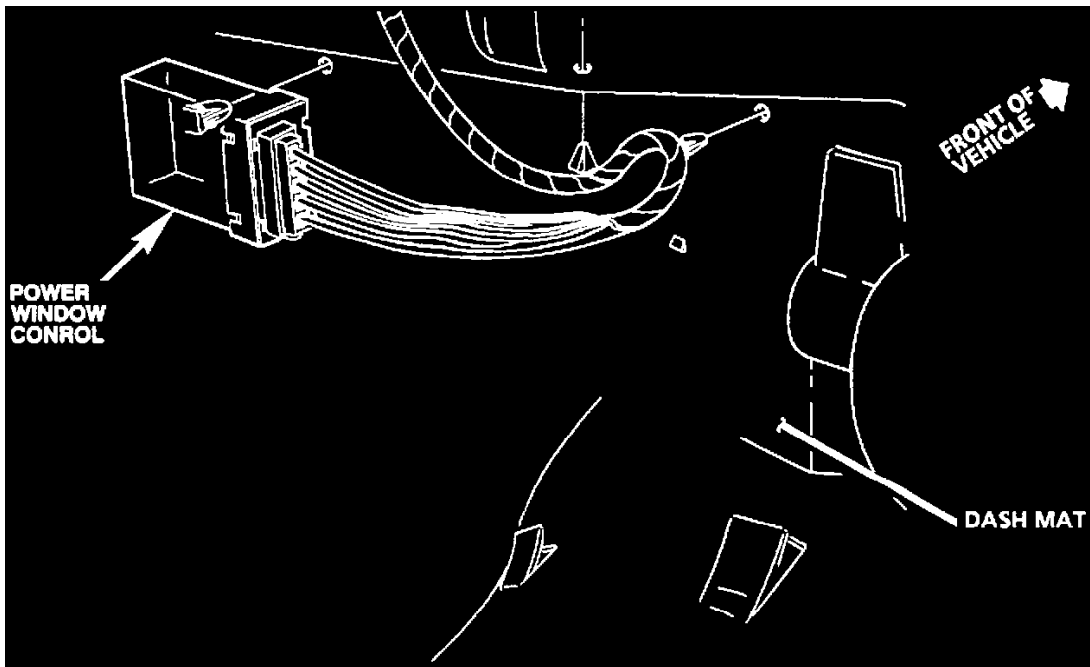


LH Front Frame Rail



Under LH Side Of I/P

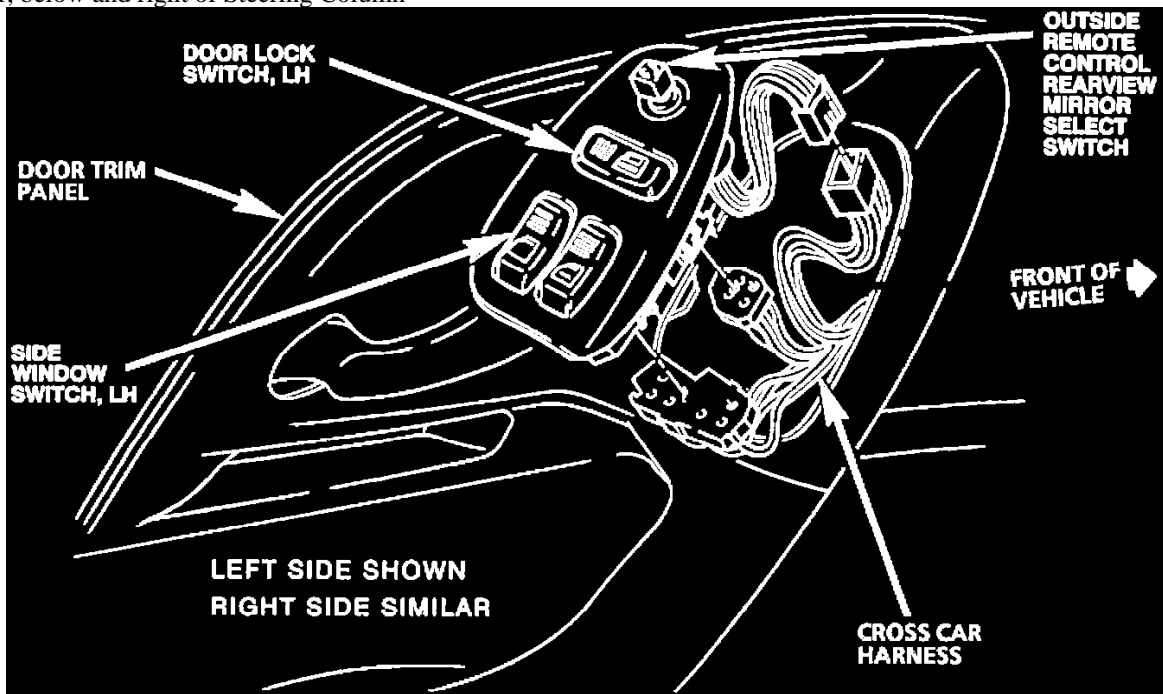




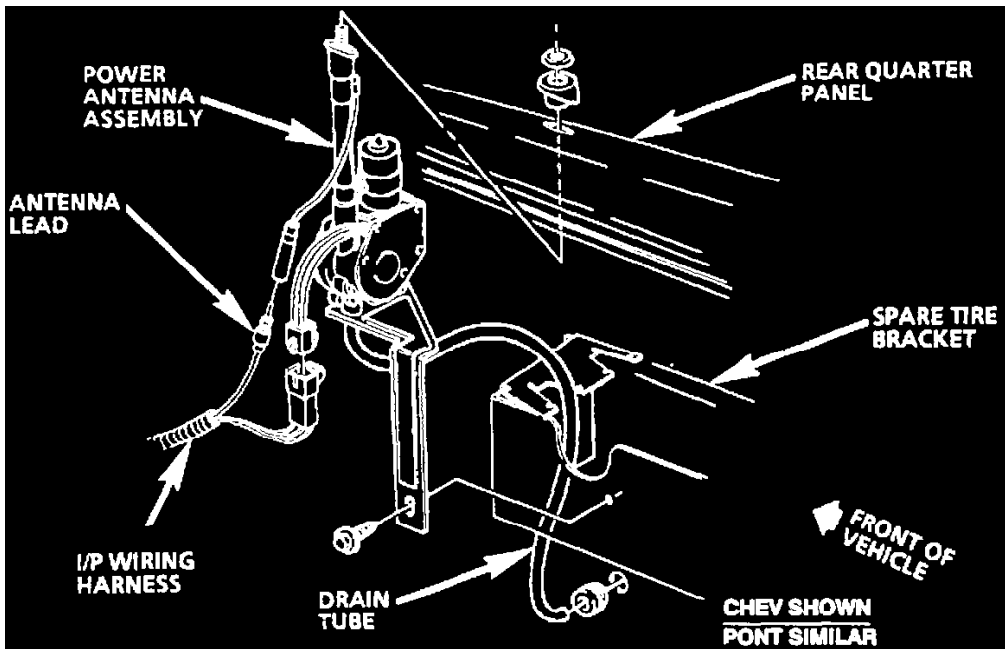
Center Of Dash Mat Above Floor Tunnel

### Data Link Connector (DLC)

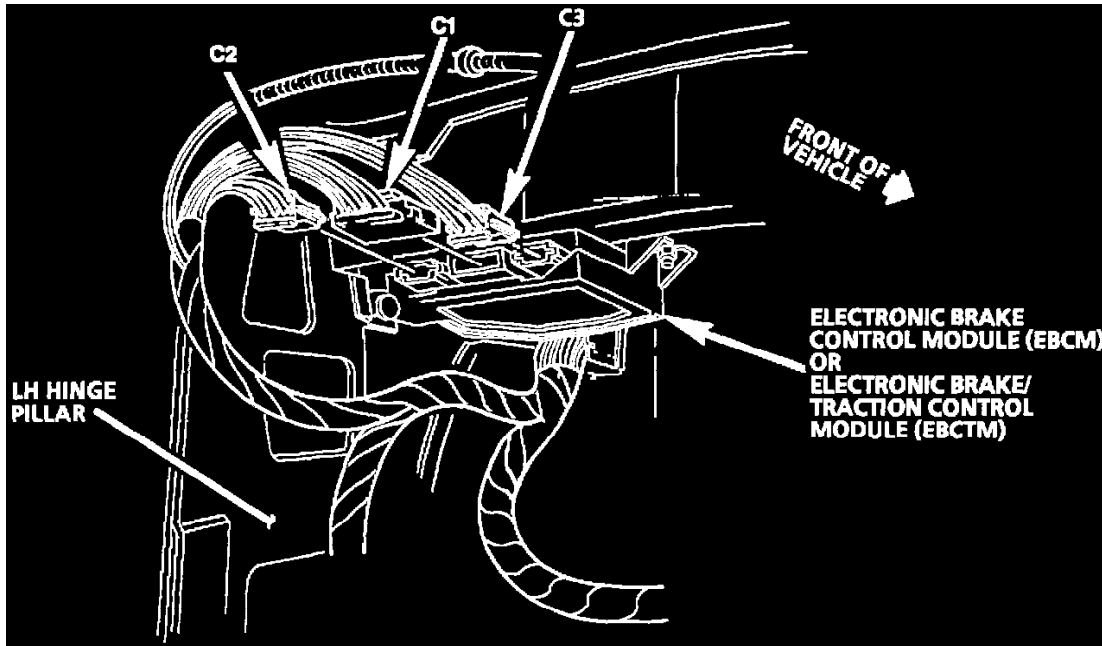
Mounted to I/P tie bar, below and right of Steering Column



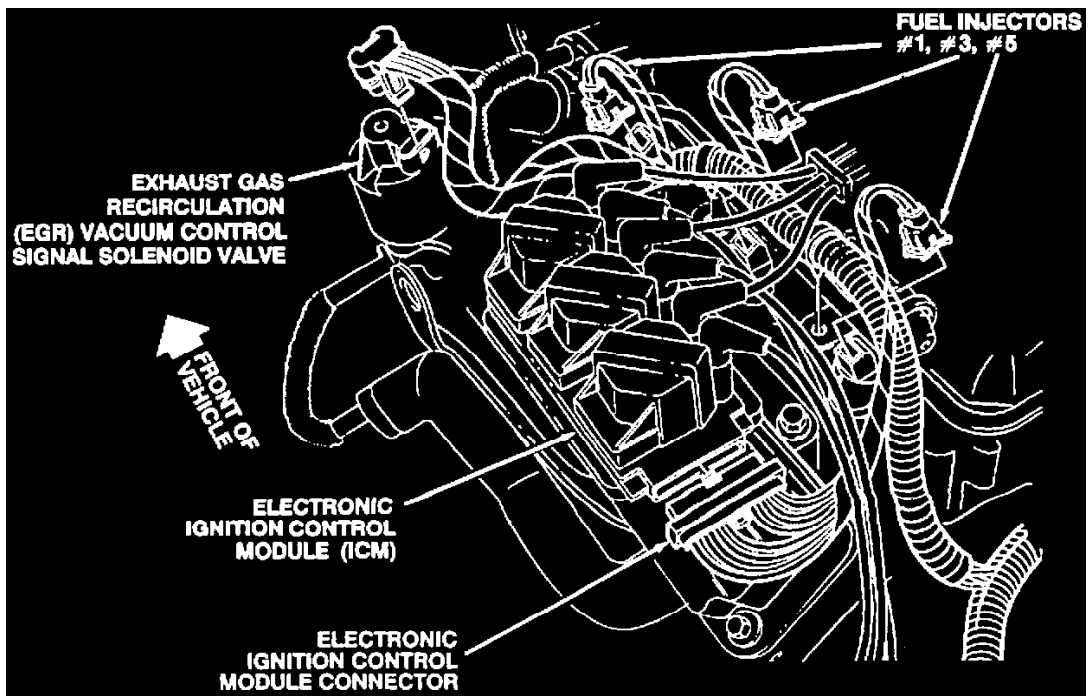
LH Door Armrest



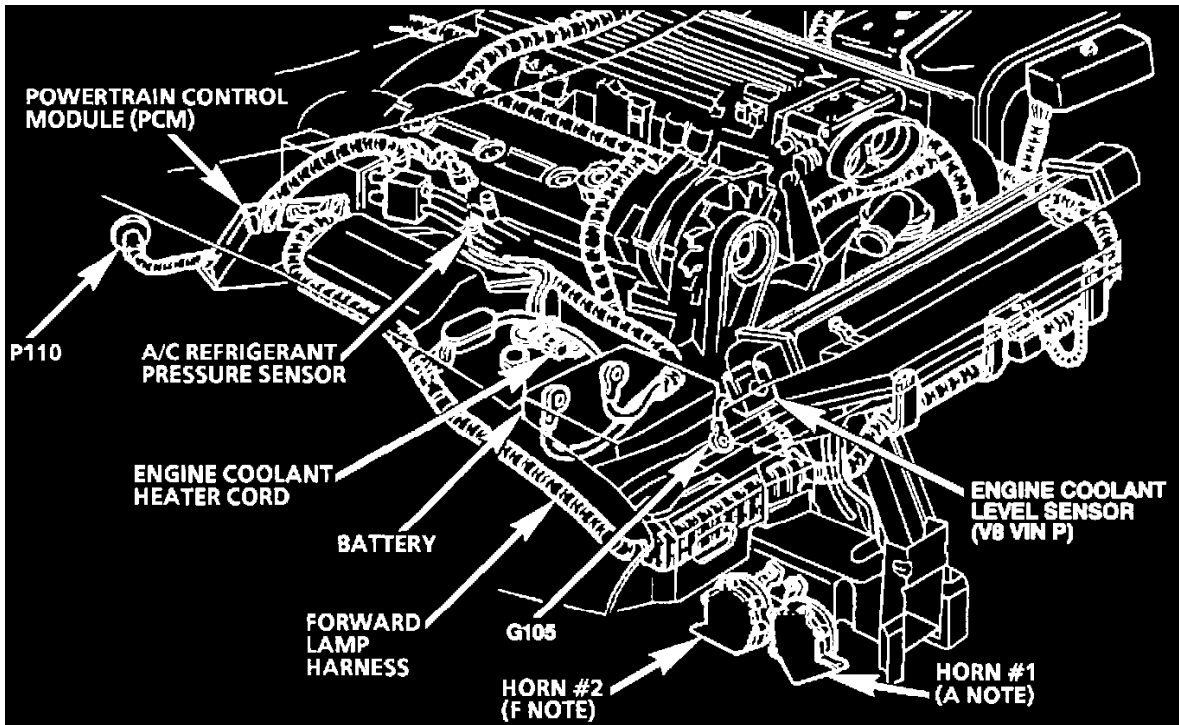
Behind Right Rear Interior Quarter Trim Panel



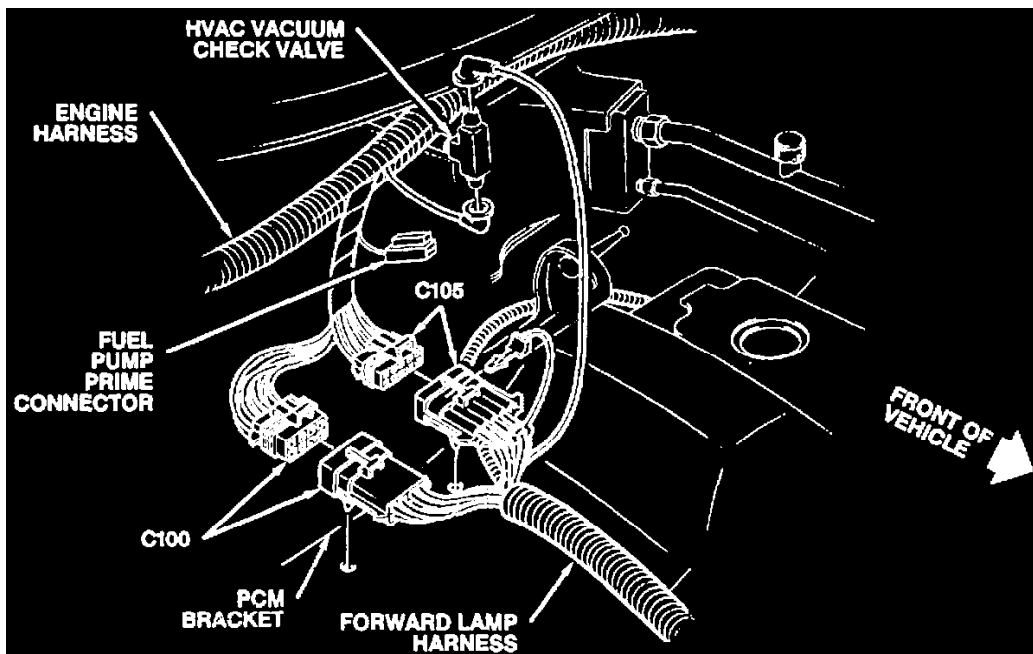
Under LH Side Of I/P



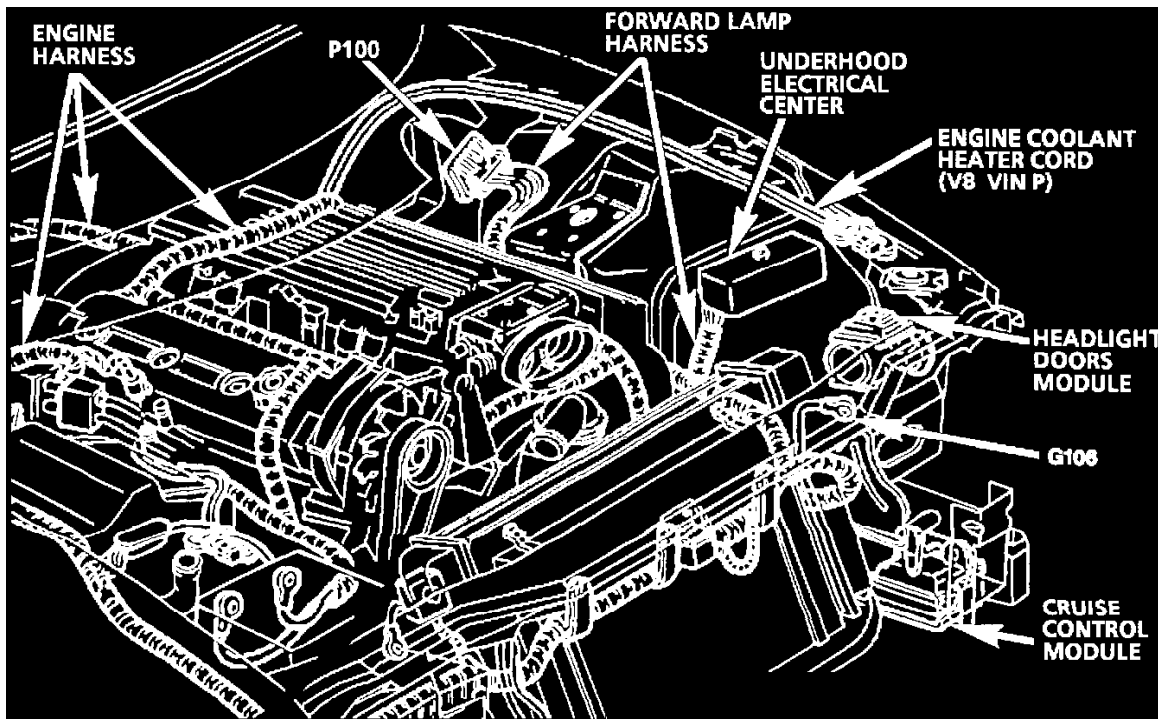
Upper LH Side Of Engine



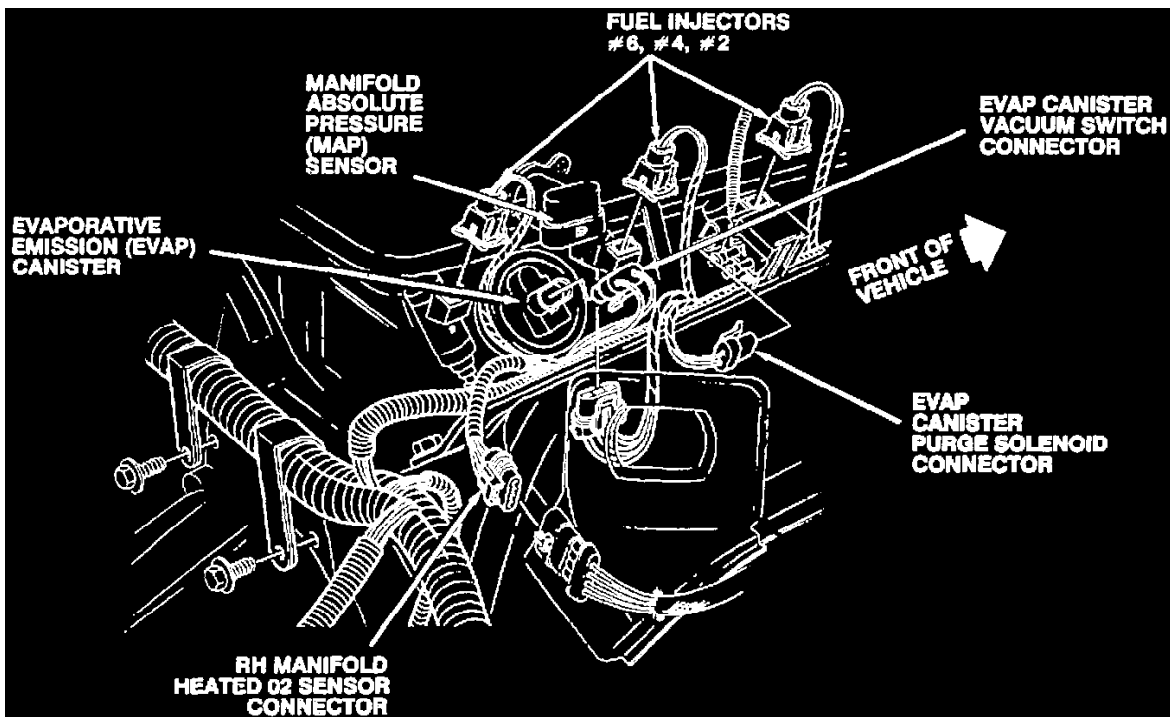
Engine Compartment



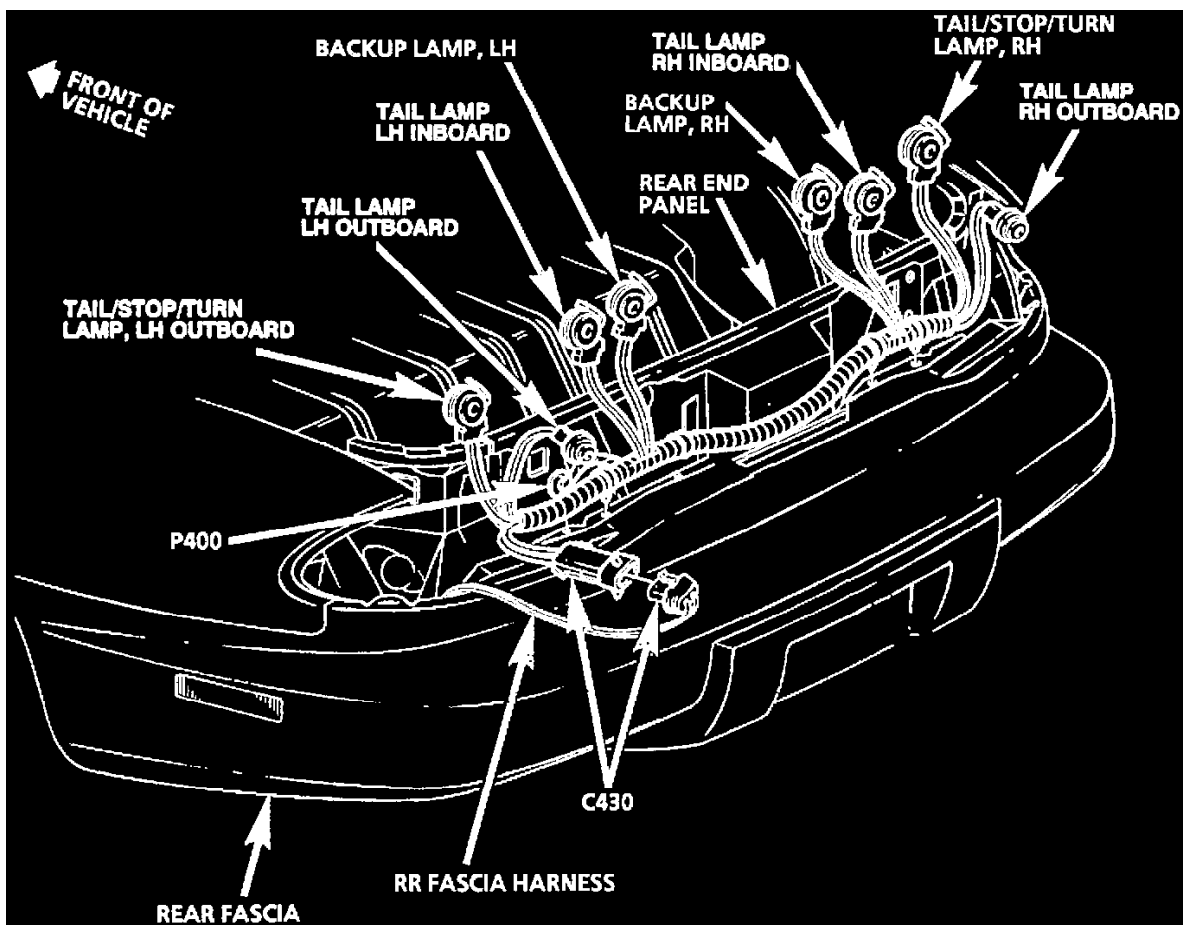
Right Rear Of Engine Compartment



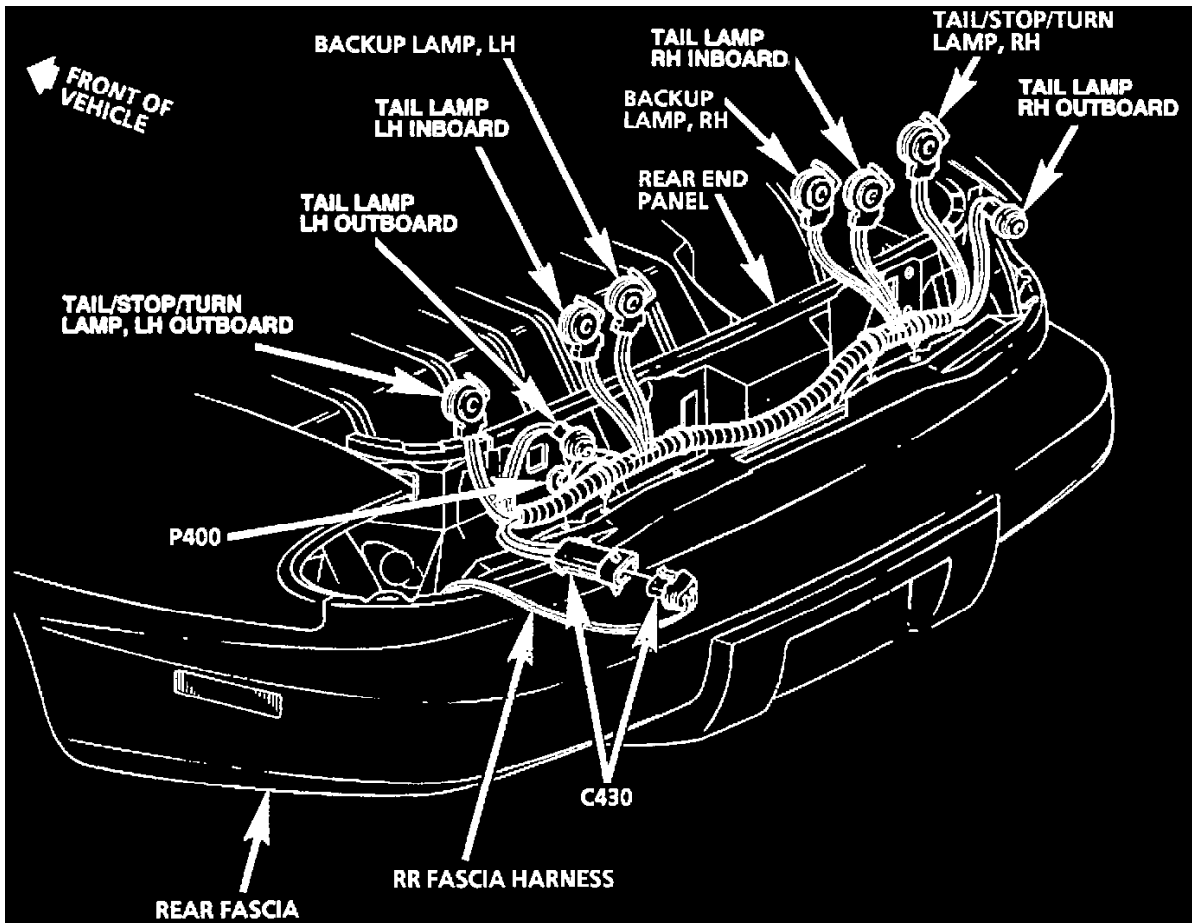
Engine Compartment



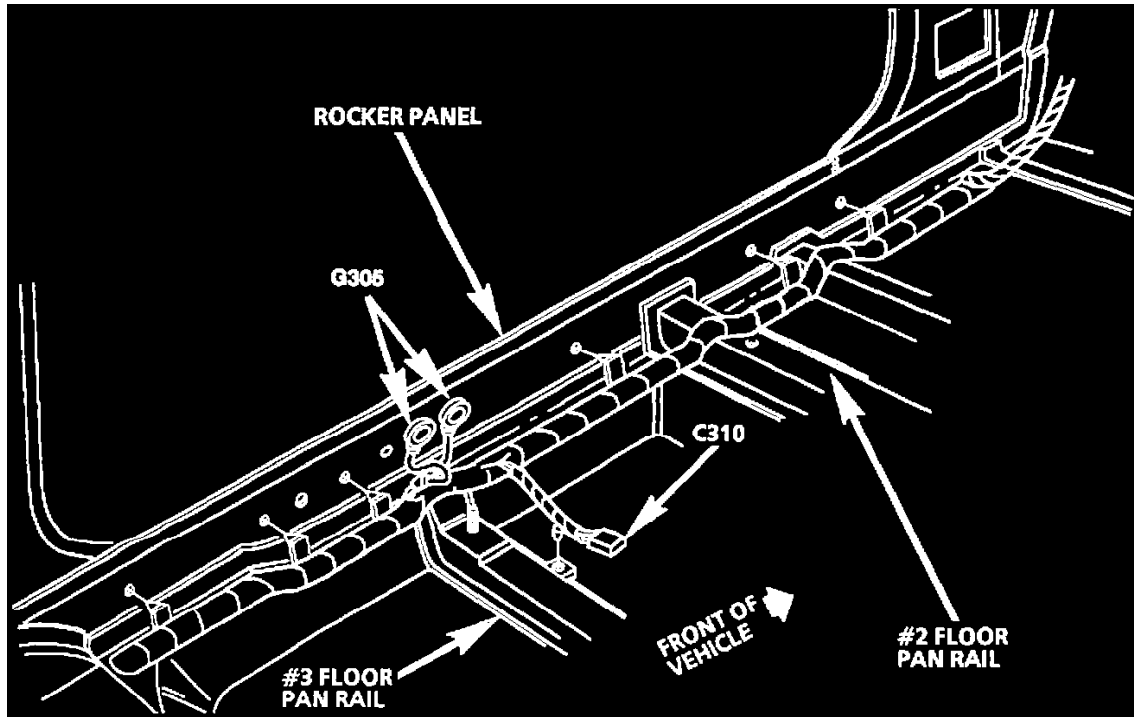
Rear RH Side Of Engine



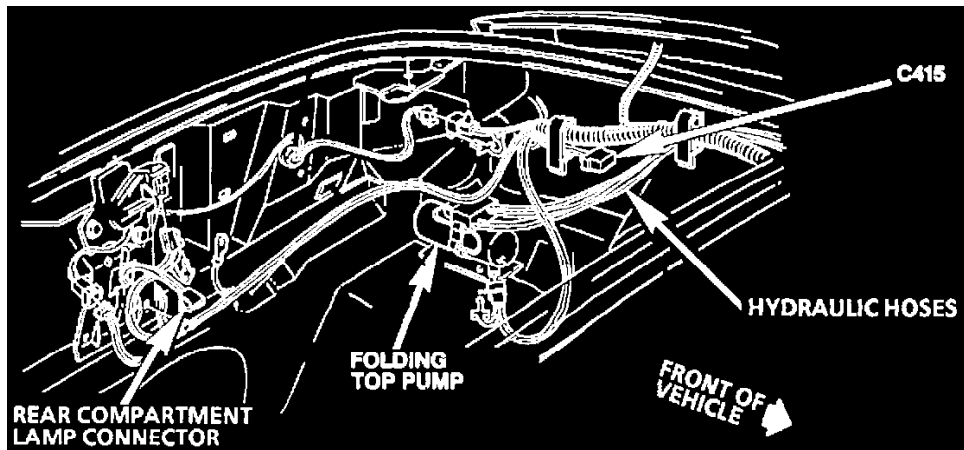
Rear Of Vehicle (Chevy, Pont Similar)



Rear Of Vehicle (Chevy, Pont Similar)

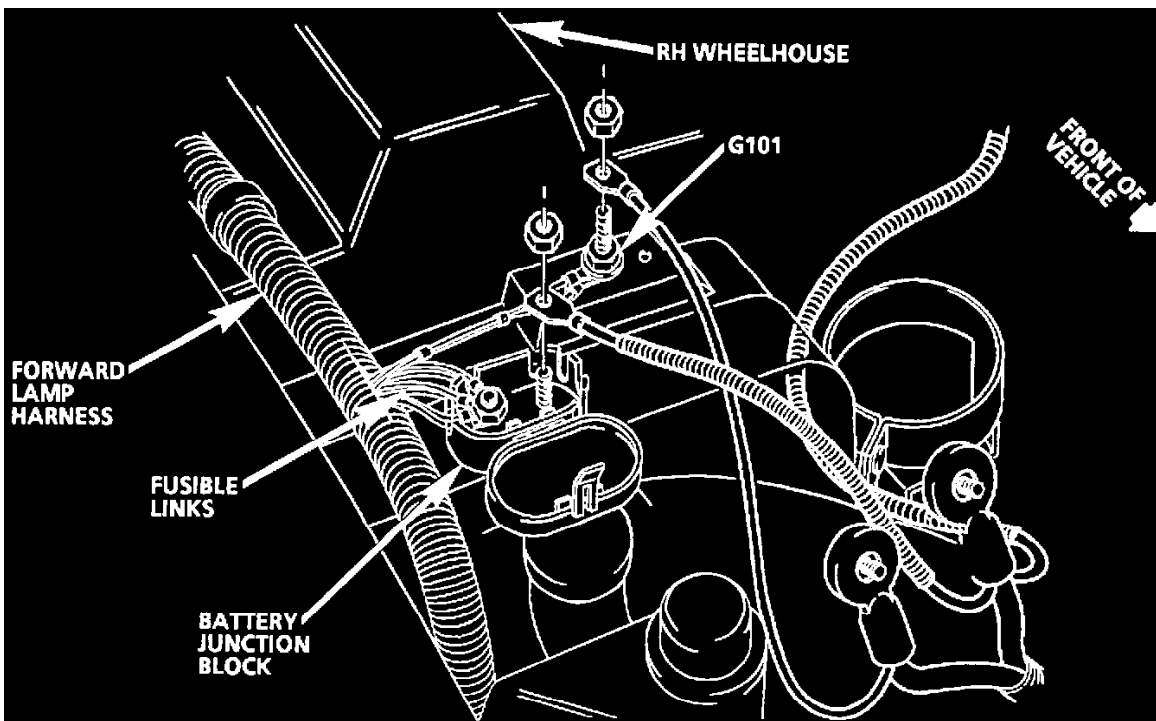


LH Rocker Panel

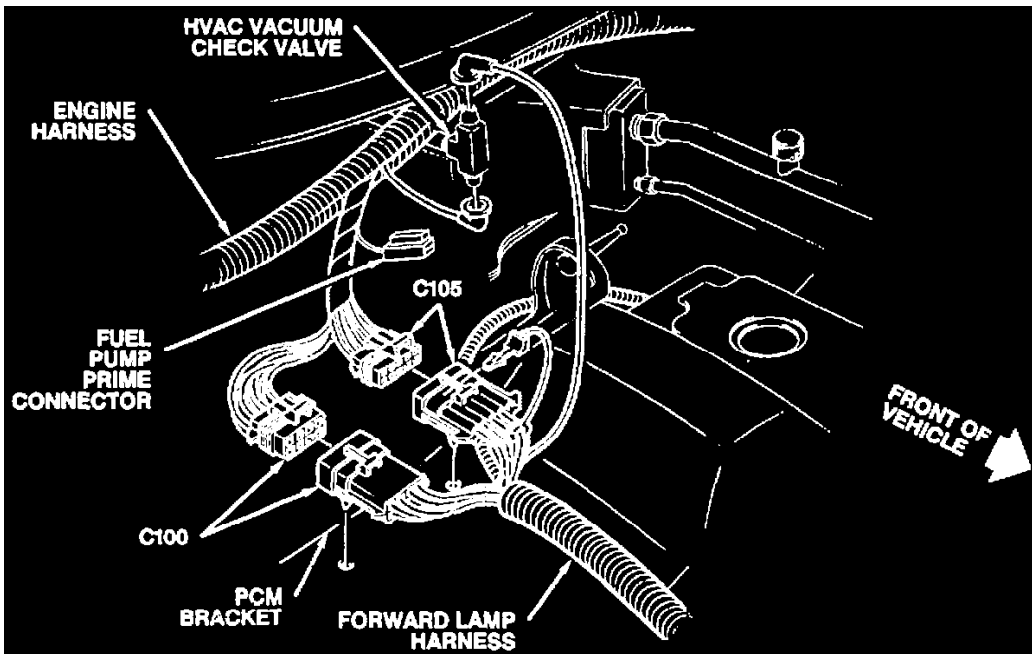


LH Rear Cargo Compartment (Convertible)

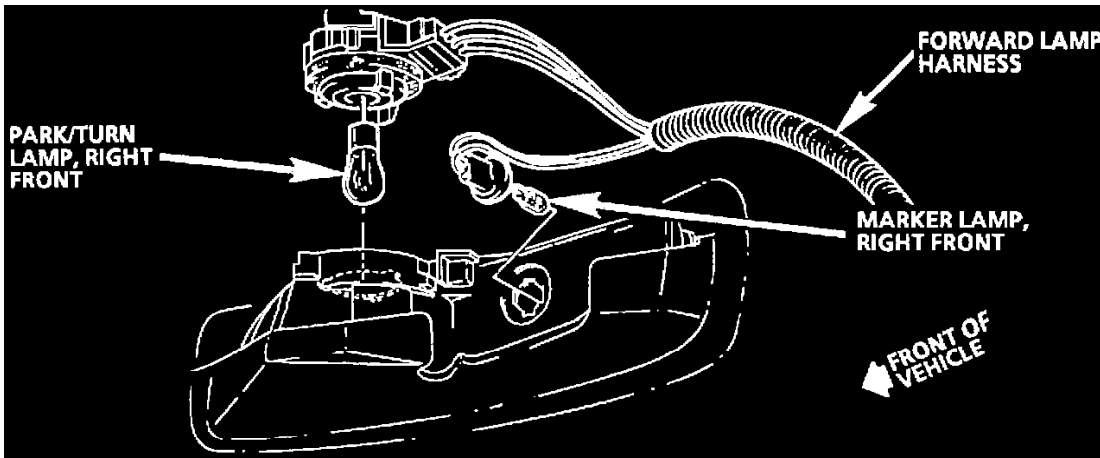
### Forward Lamp Harness



RH Wheel House

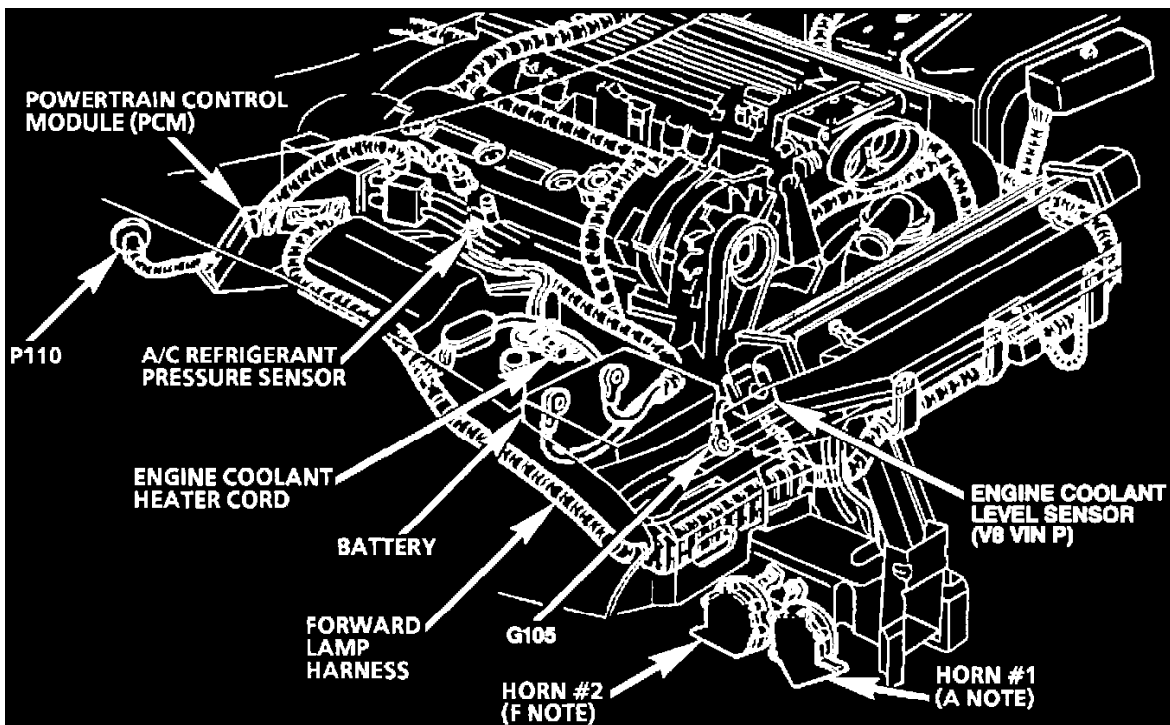


Right Rear Of Engine Compartment

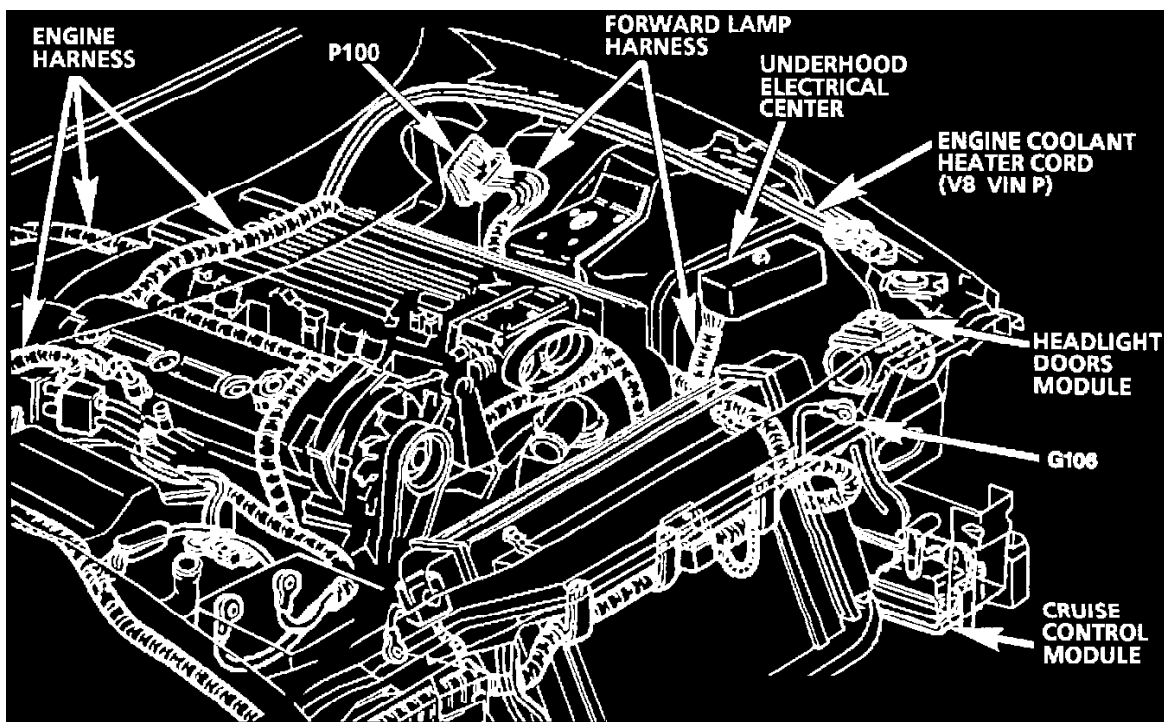


RH Side Of Front Fascia (LH Similar)

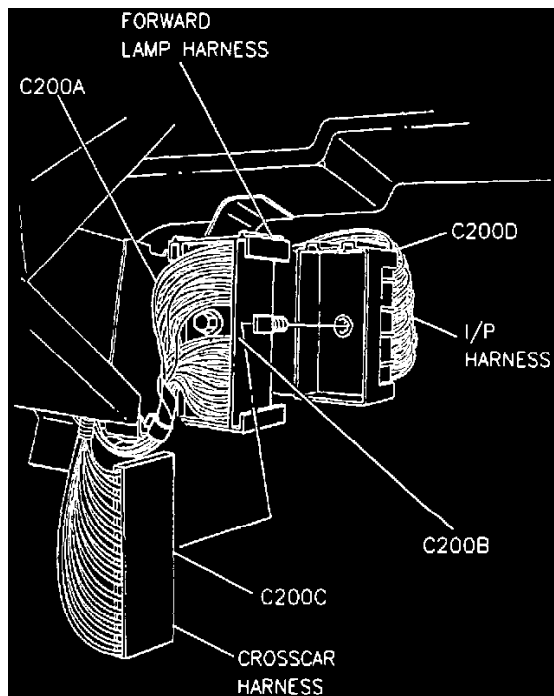




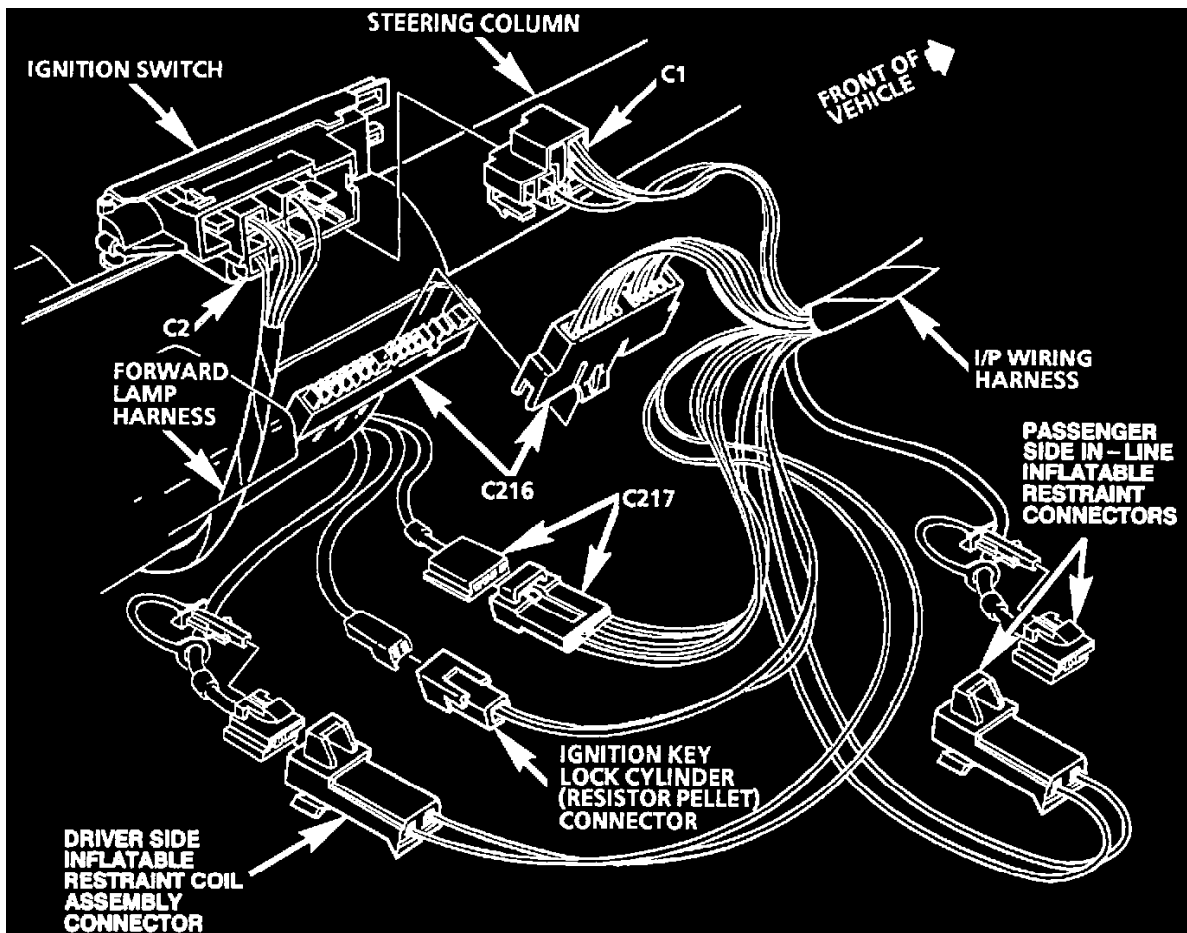
Engine Compartment



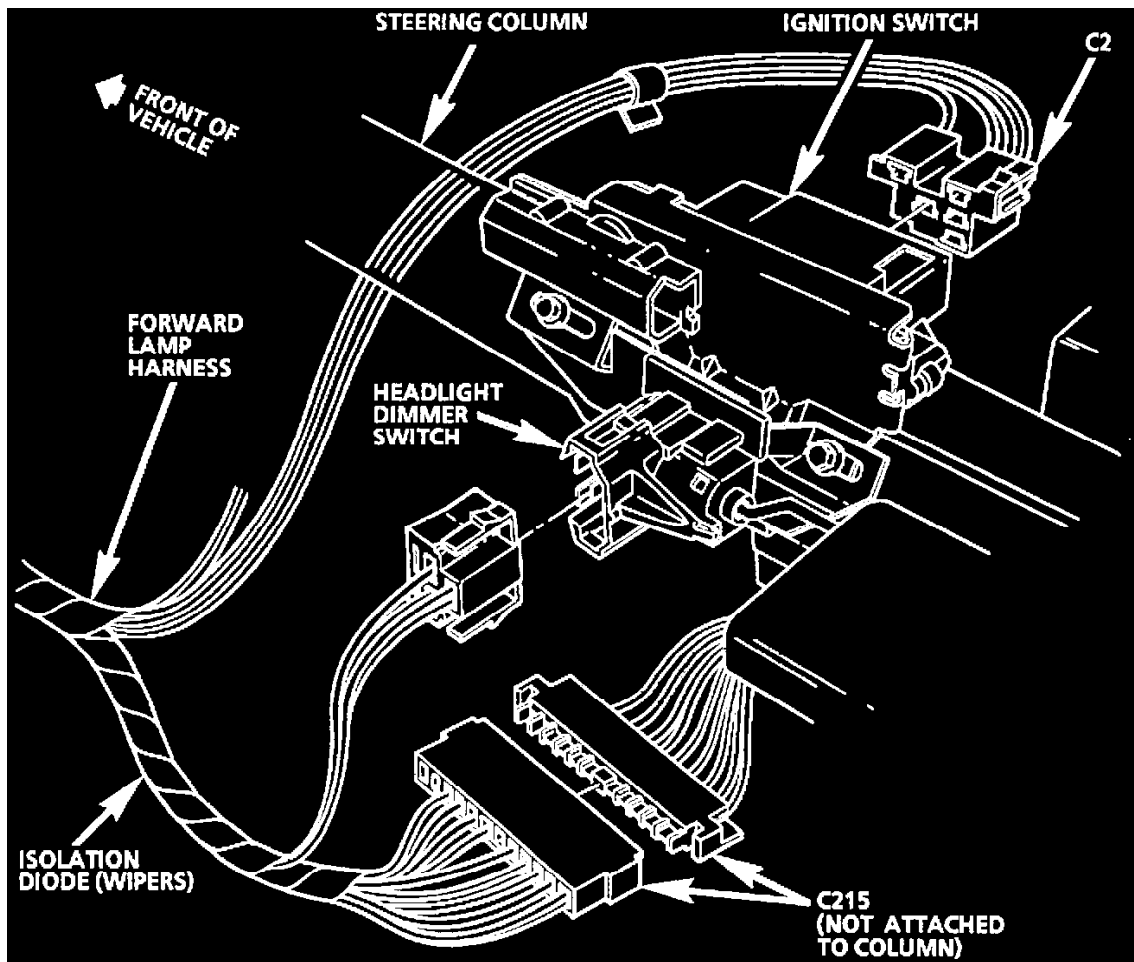
Engine Compartment



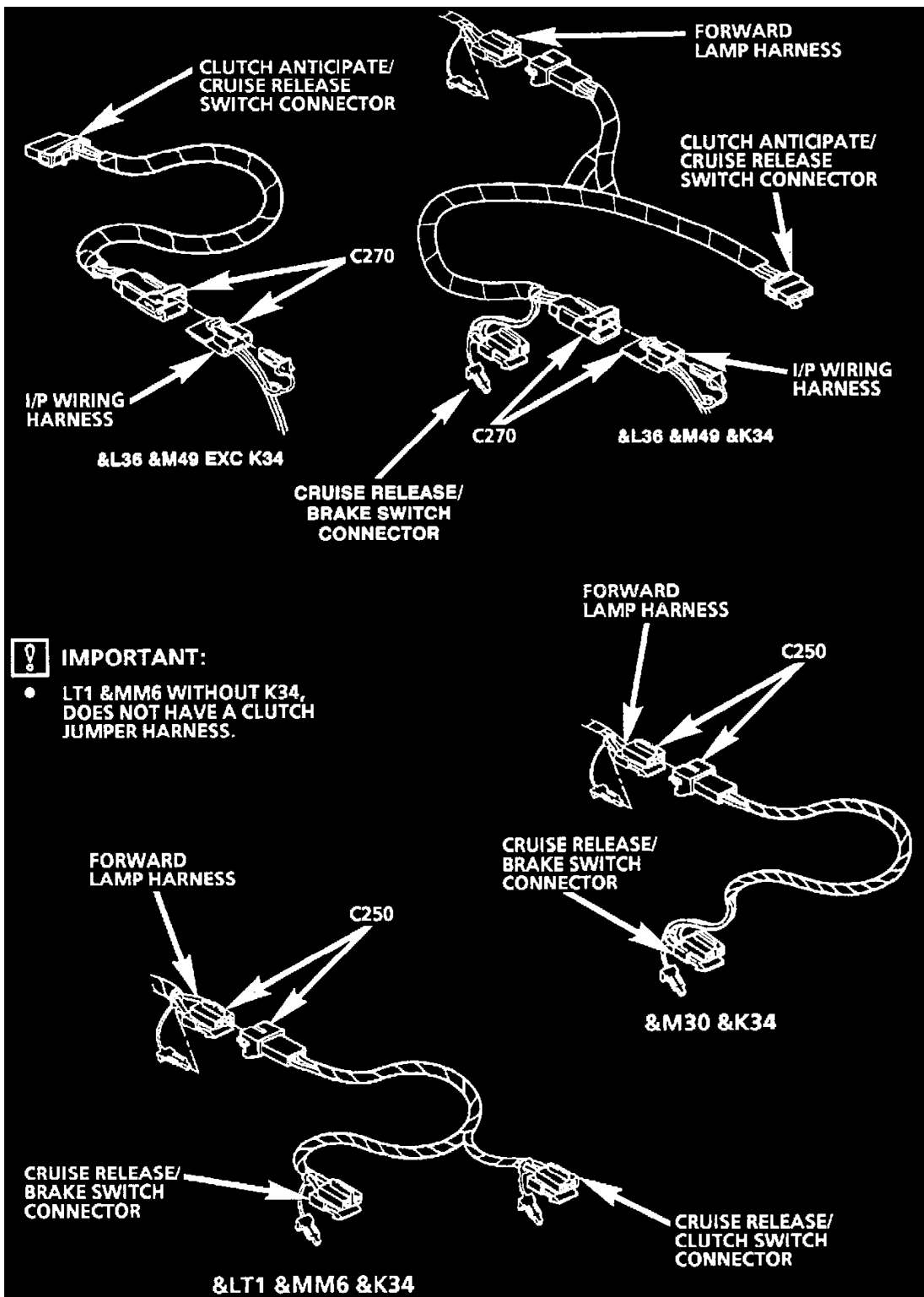
Between LH Kick Panel And Steering Column



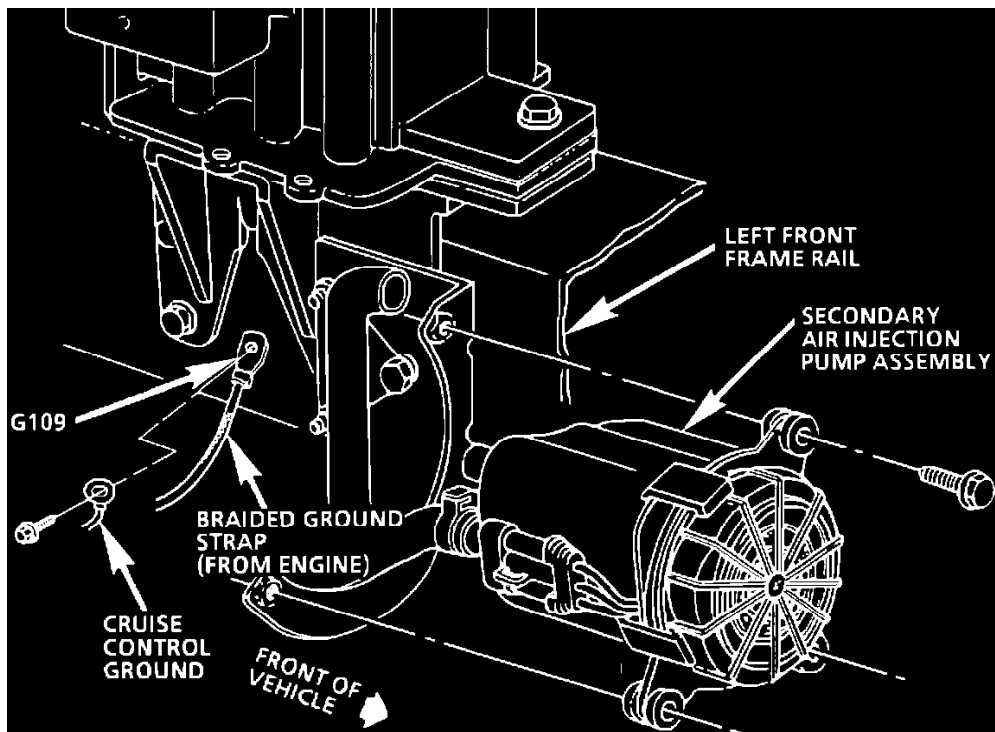
Bottom Of Steering Column



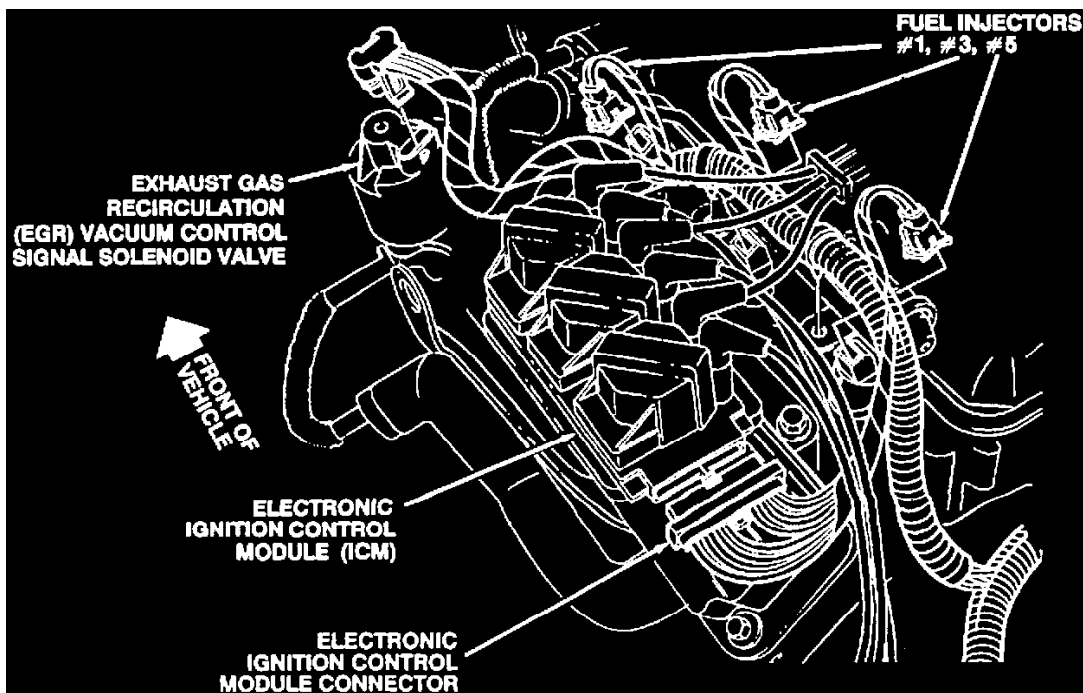
Bottom Of Steering Column



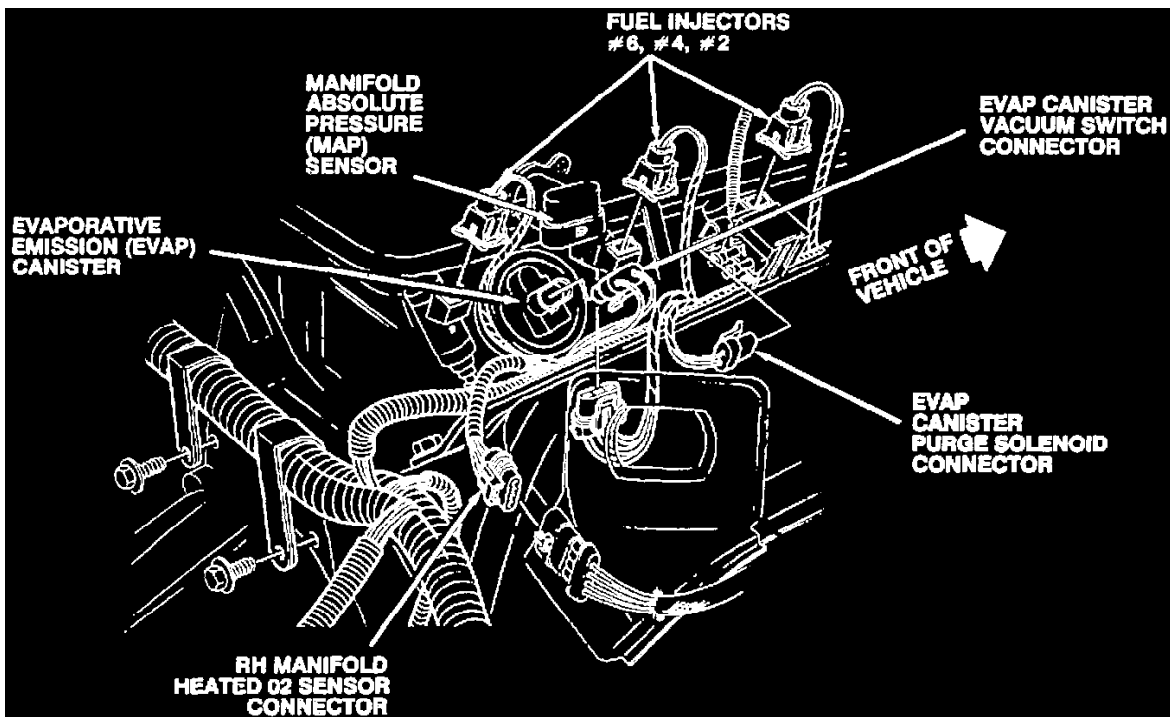
Clutch Jumper Harness Combinations - Manual (M49 Or MM6)



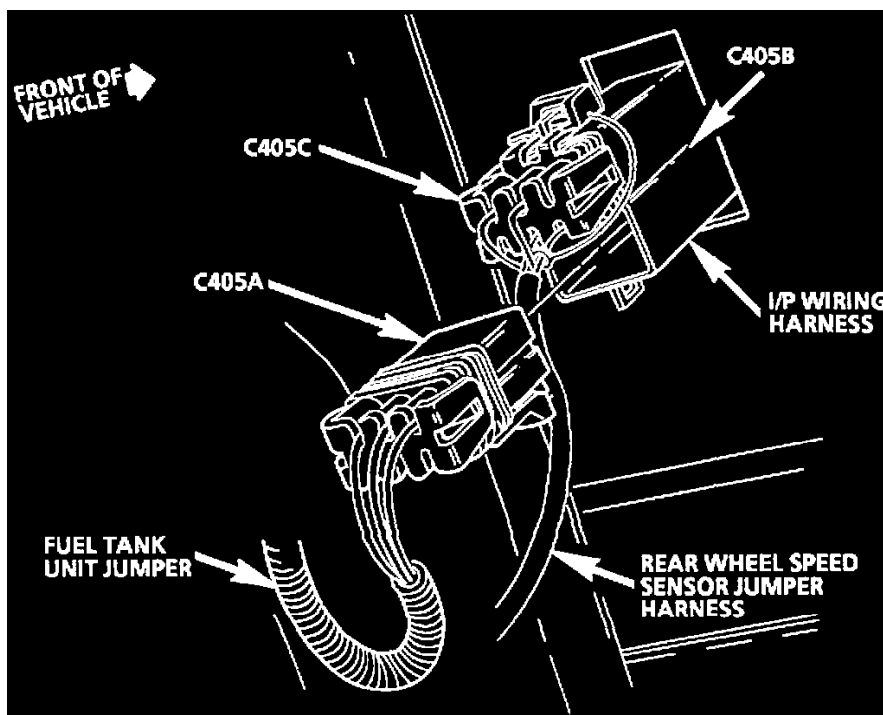
LH Front Frame Rail



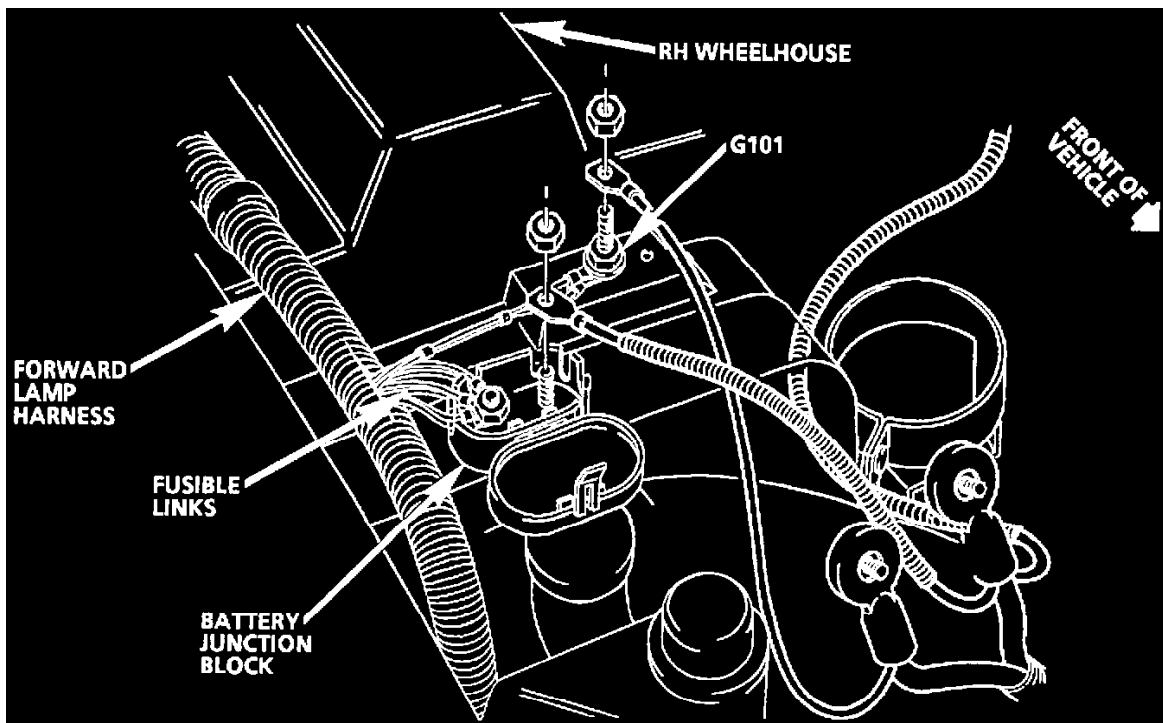
Upper LH Side Of Engine



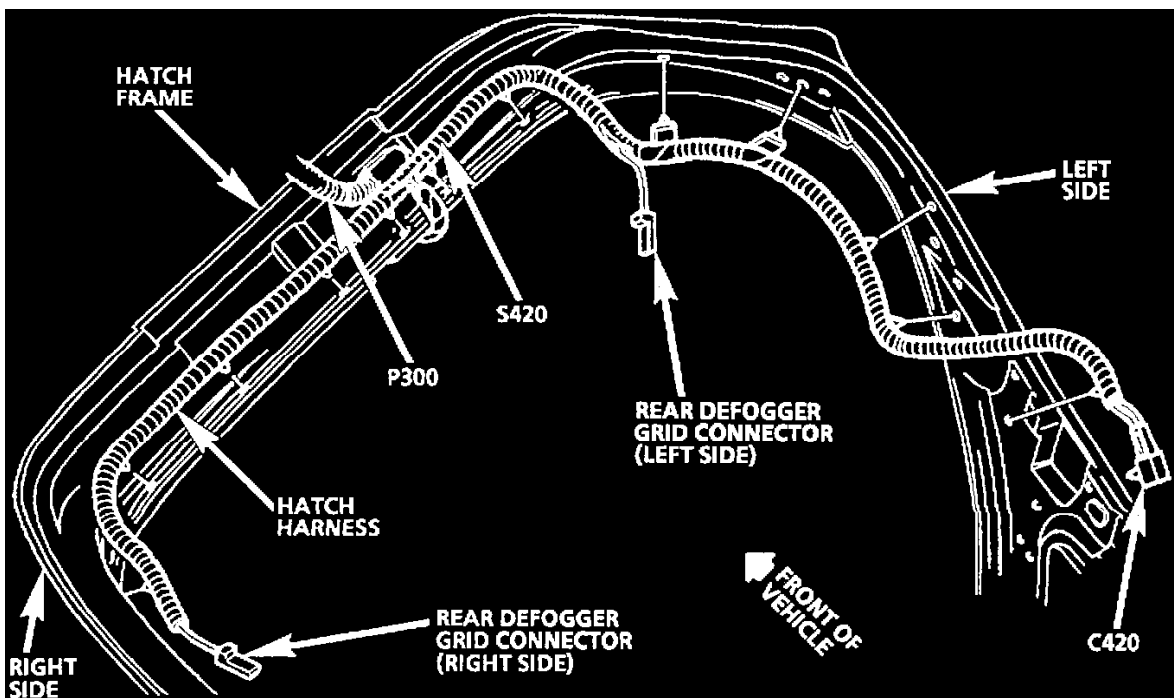
Rear RH Side Of Engine



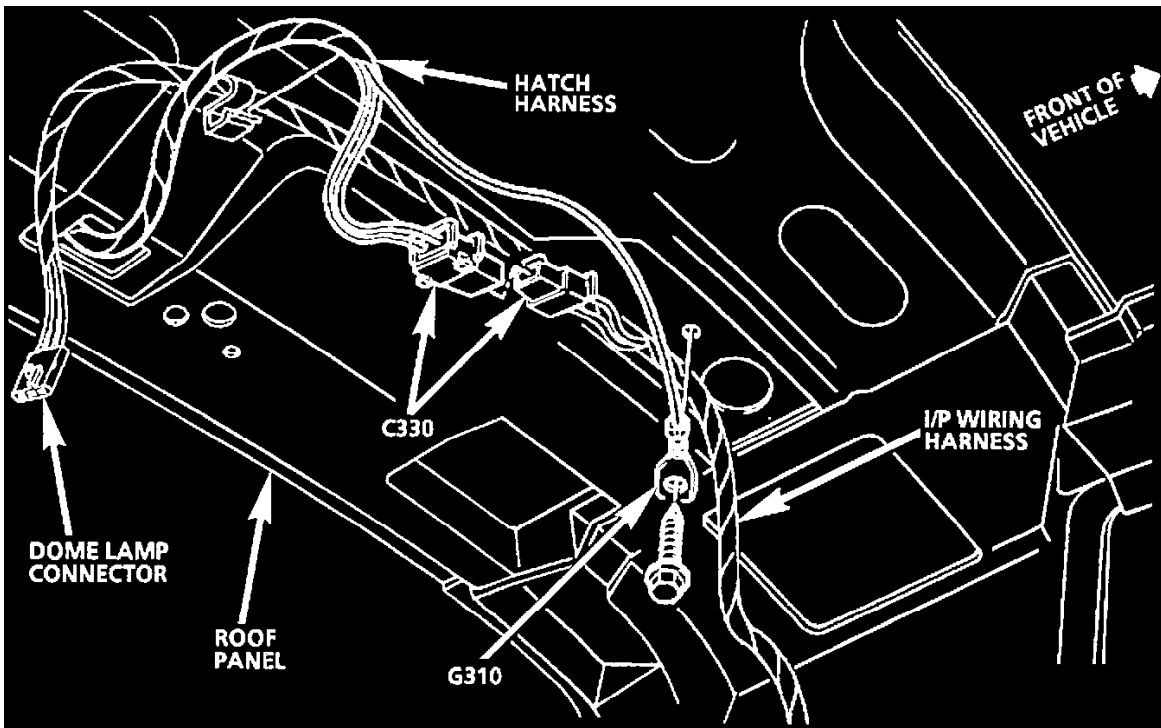
Forward Of LH Side Of Rear Axle



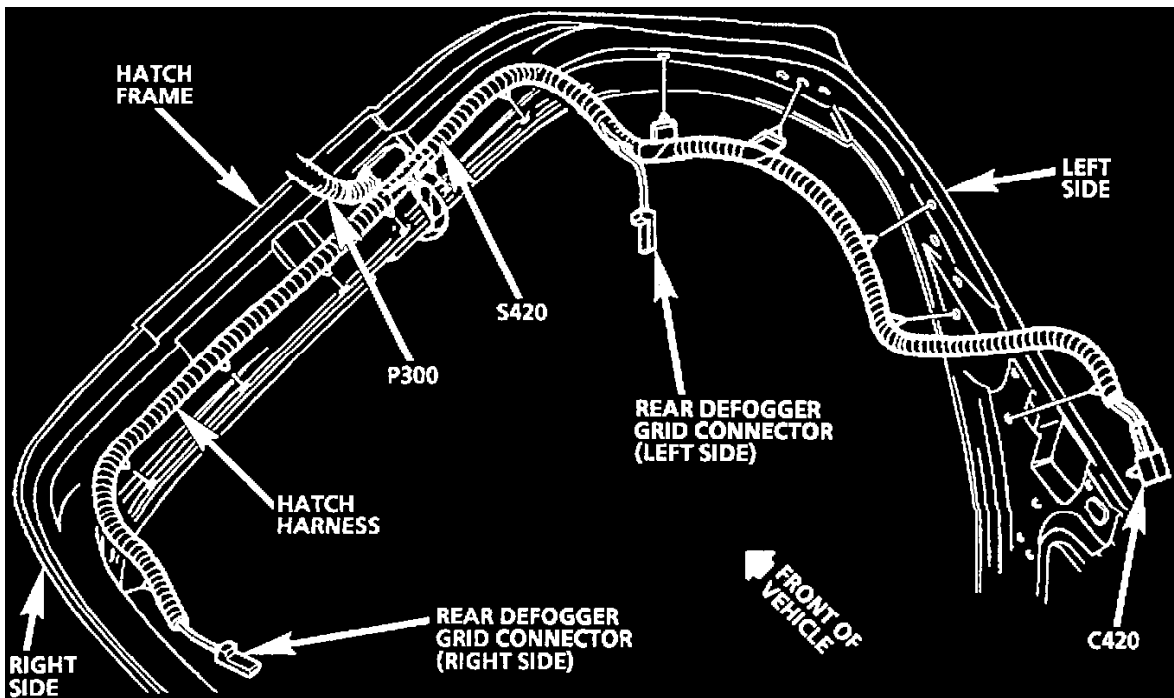
RH Wheel House



Bottom Side Of Hatch, Shown Upside Down (Coupe)



Center Rear On Roof Panel (Coupe)

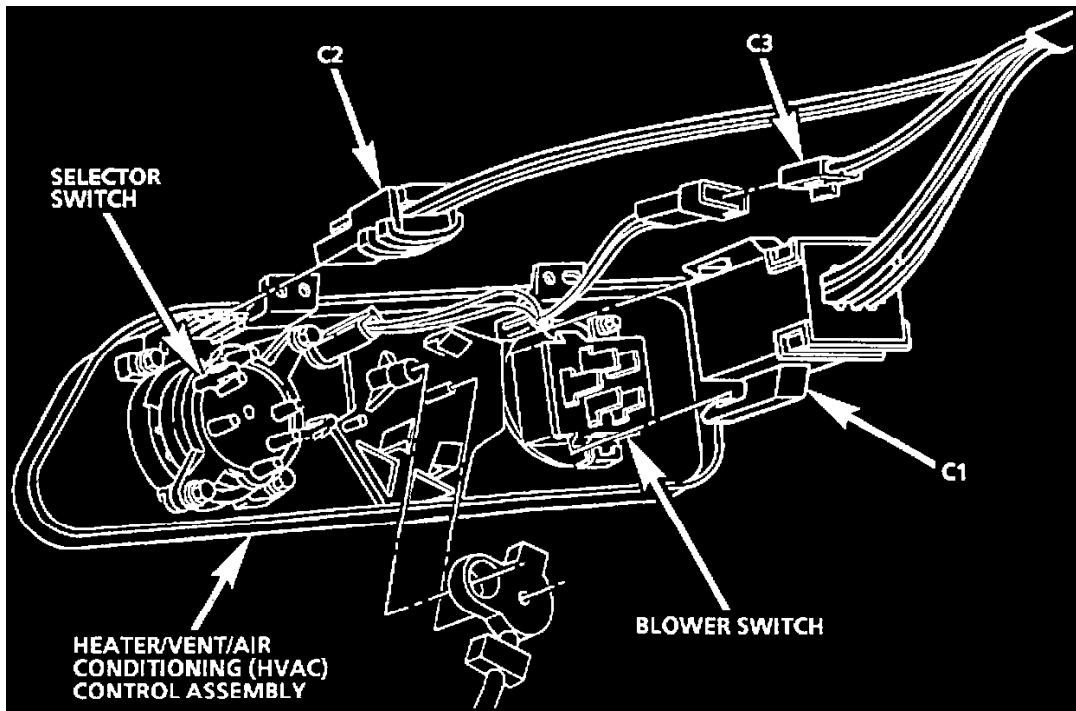


Bottom Side Of Hatch, Shown Upside Down (Coupe)

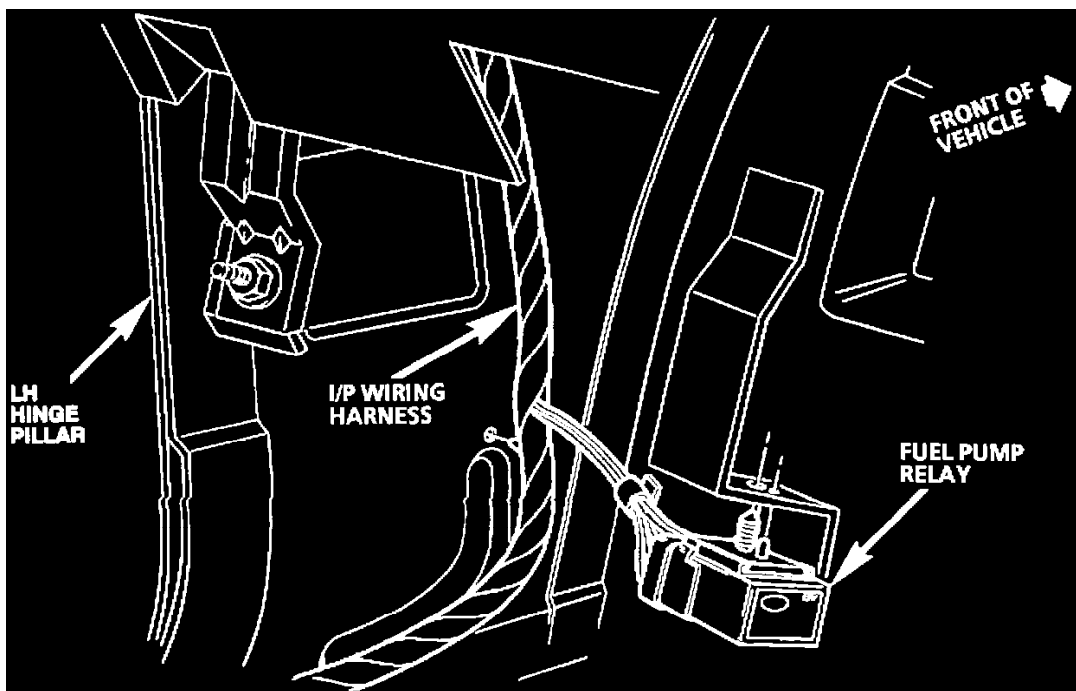
## Hazard Flasher

Left of Steering Column, mounted to bottom of I/P Carrier

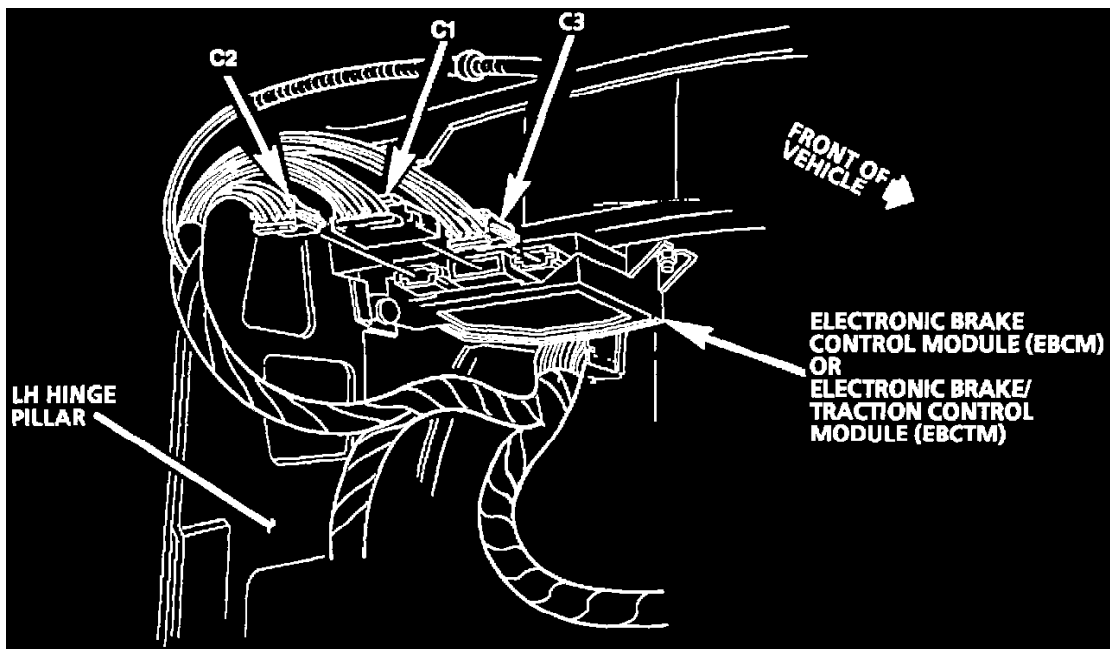




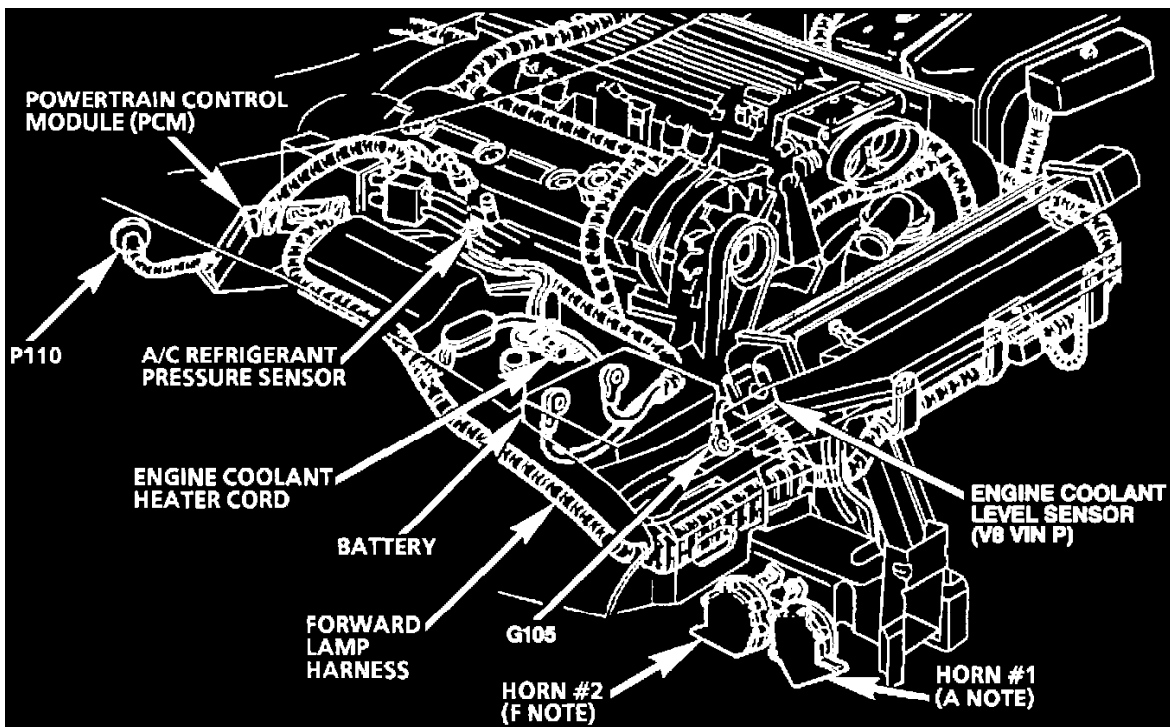
Center Of I/P



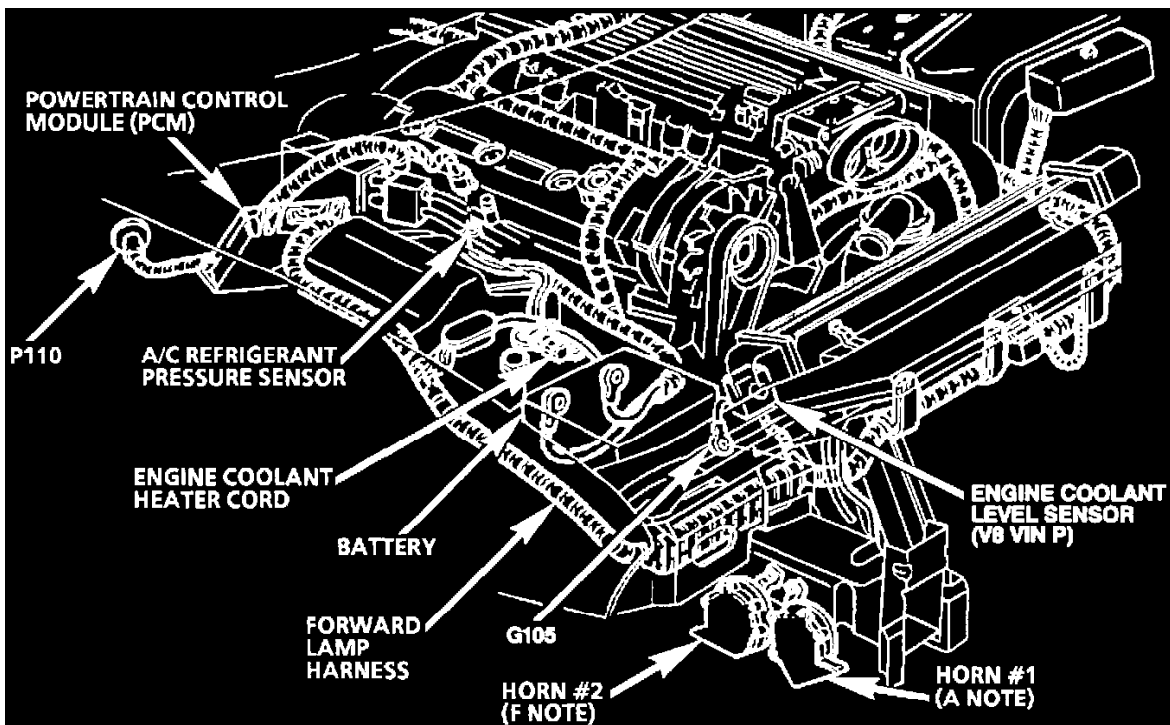
Behind LH Dash Mat



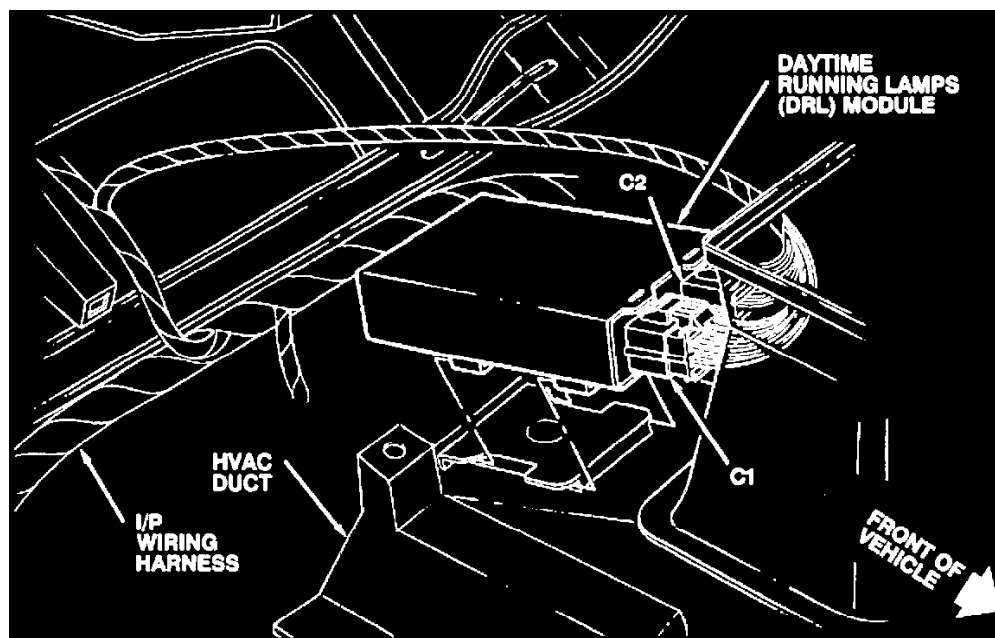
Under LH Side Of I/P



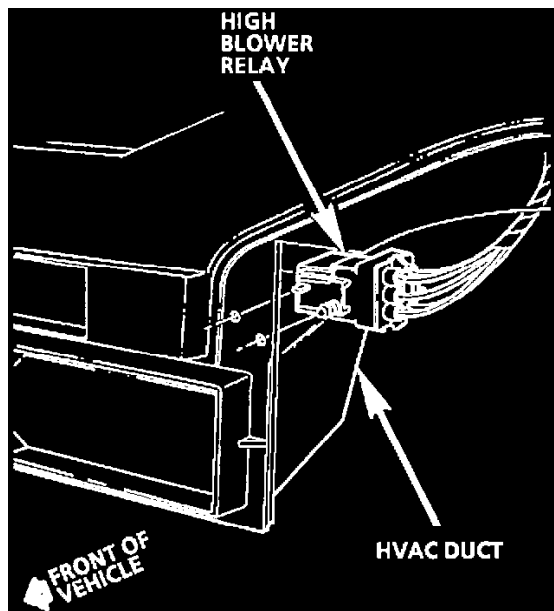
Engine Compartment



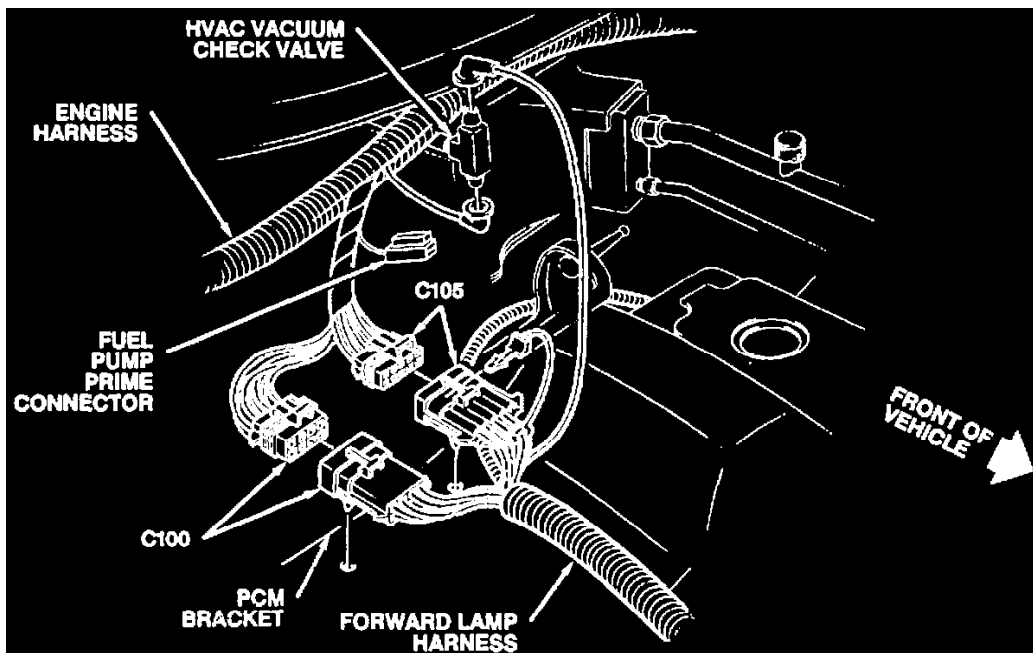
Engine Compartment



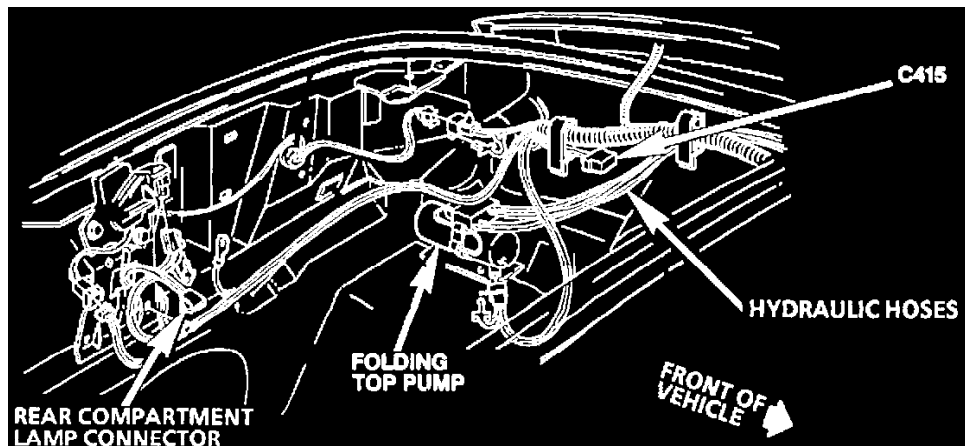
Under Center Of I/P



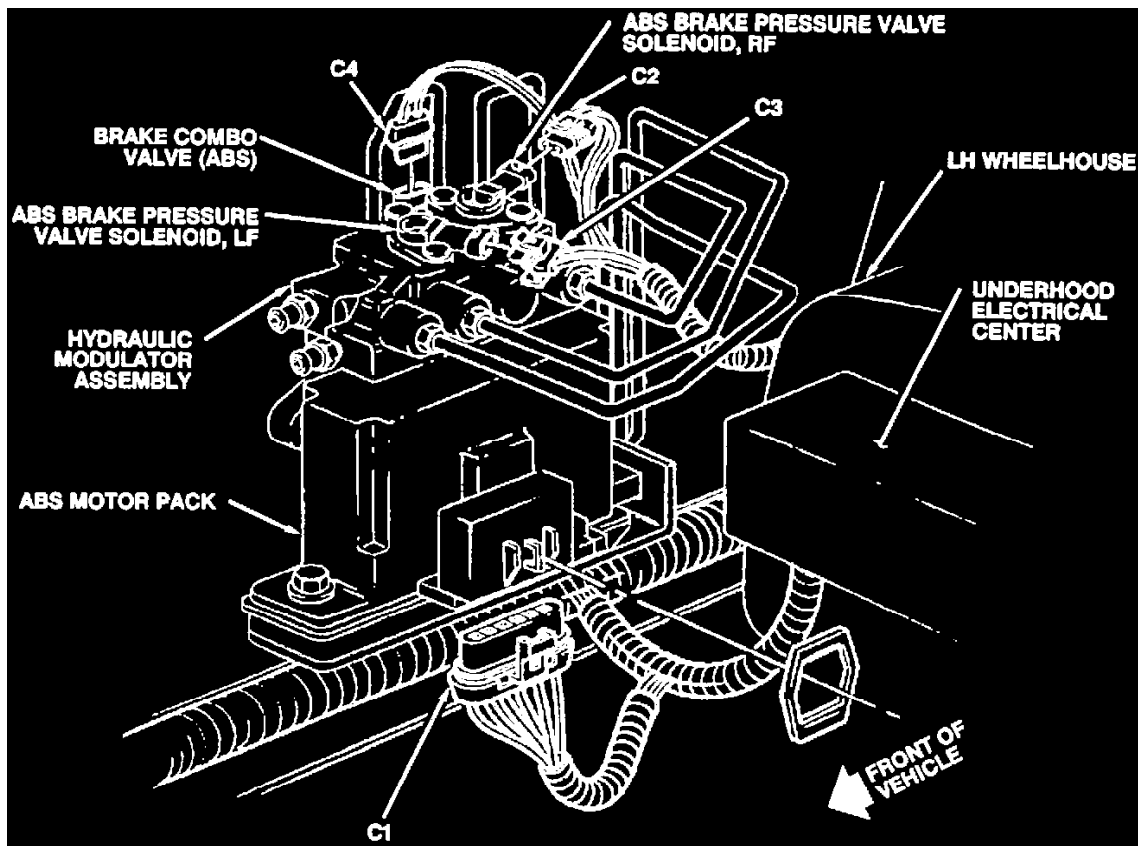
Above Left Side Of Floor Tunnel



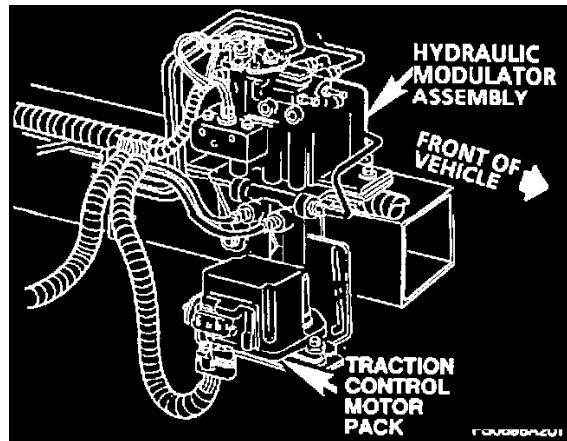
Right Rear Of Engine Compartment



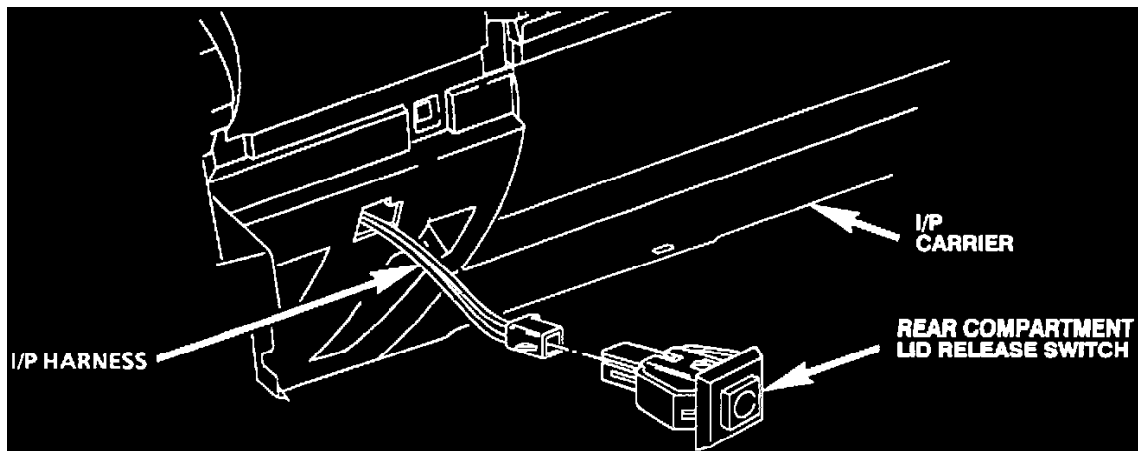
LH Rear Cargo Compartment (Convertible)



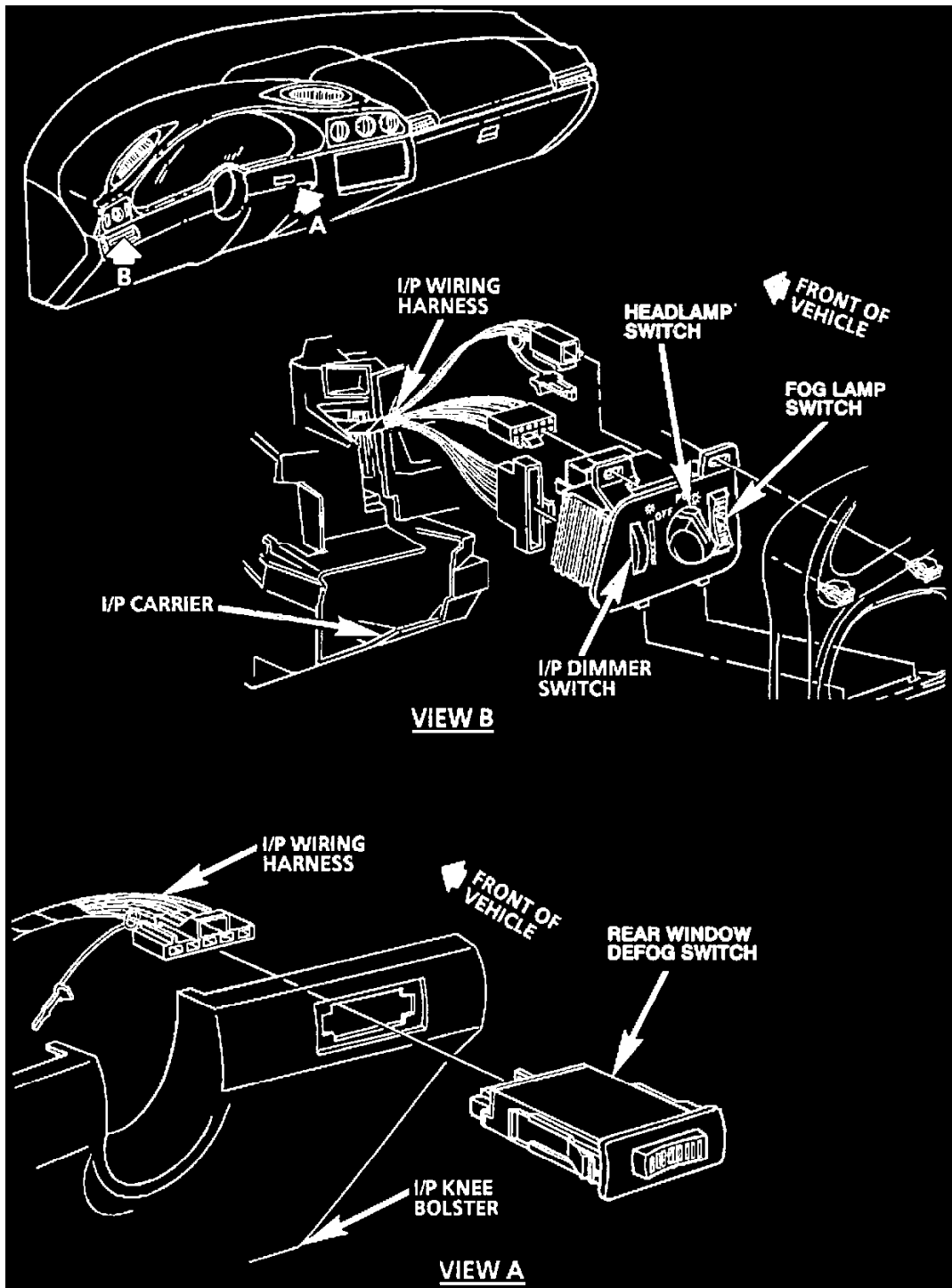
Front LH Side Of Engine Compartment



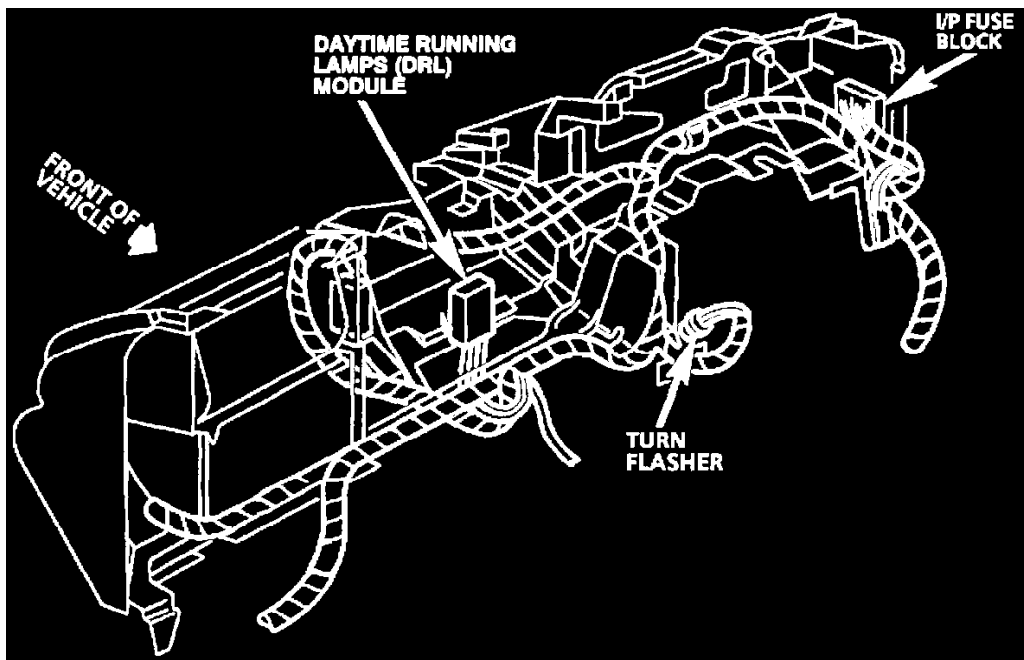
Inside Left Front Frame Rail



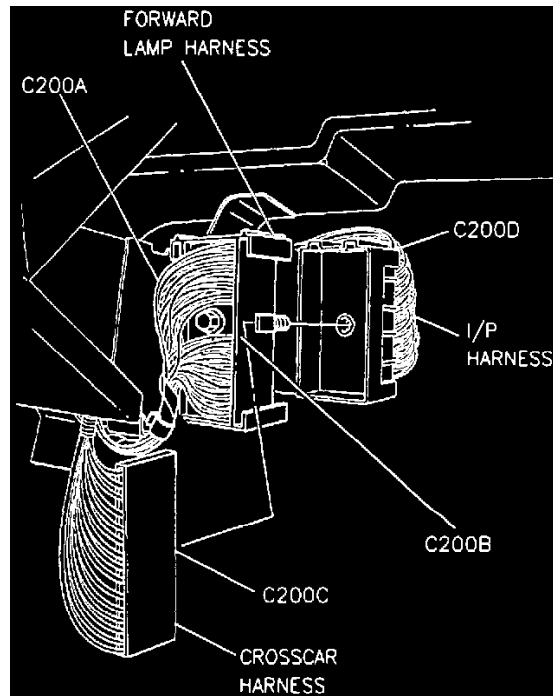
Behind I/P Compartment Door



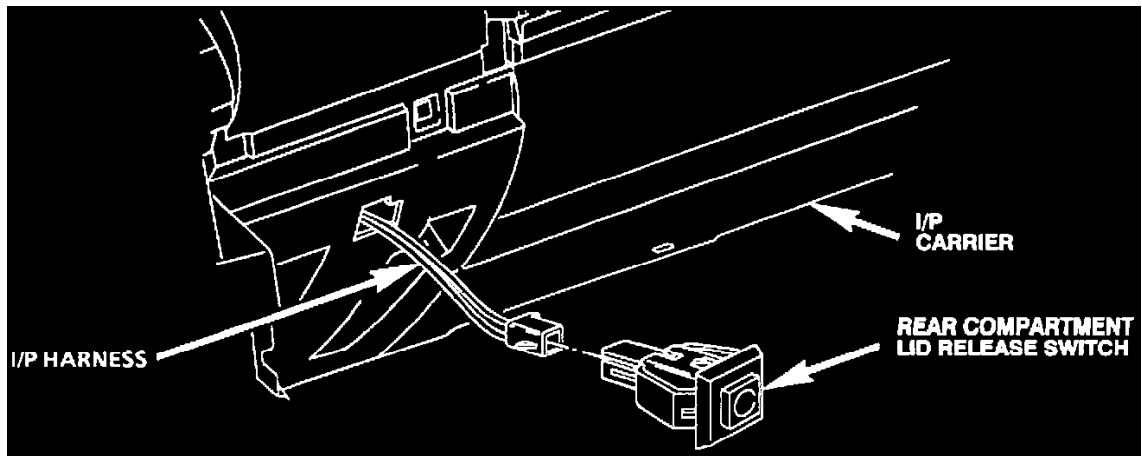
LH Of I/P



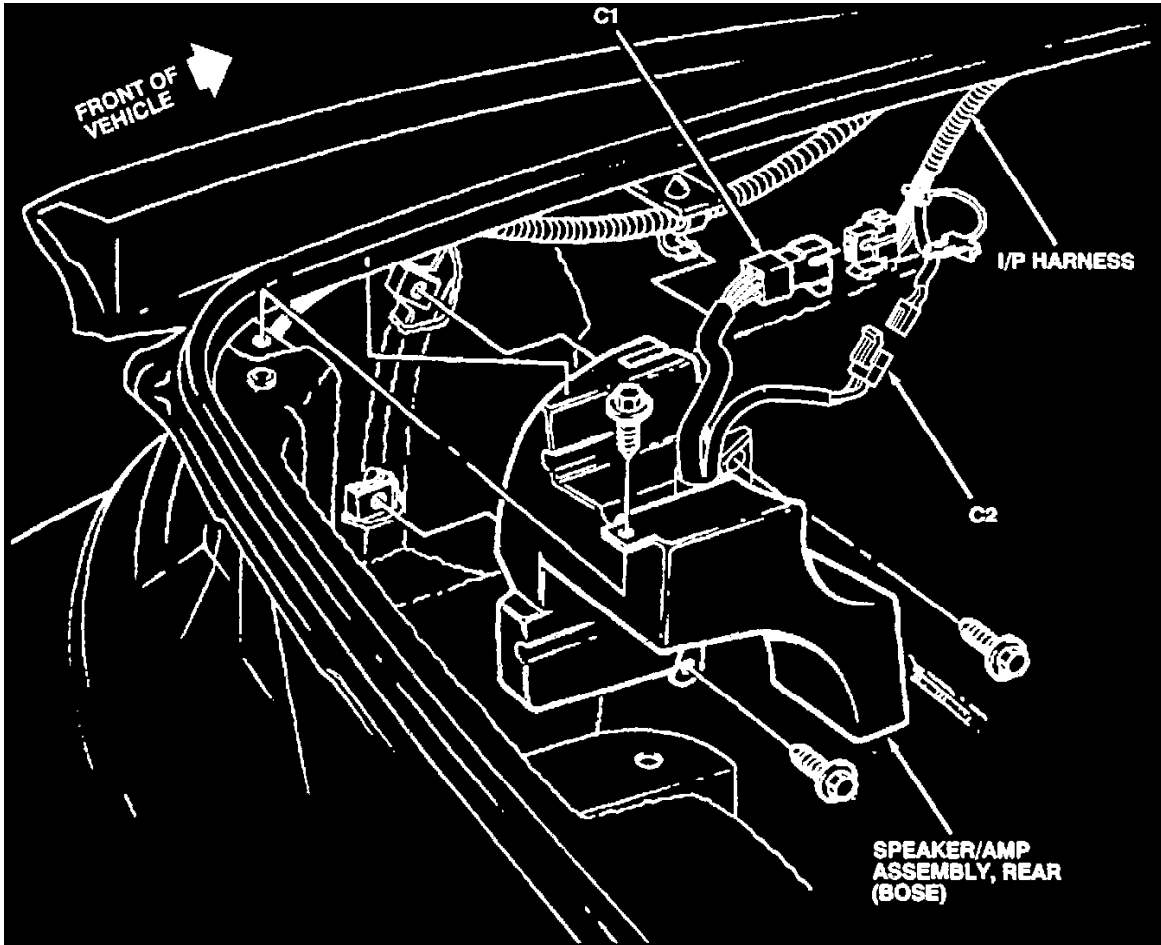
Rear View Of I/P Carrier



Between LH Kick Panel And Steering Column

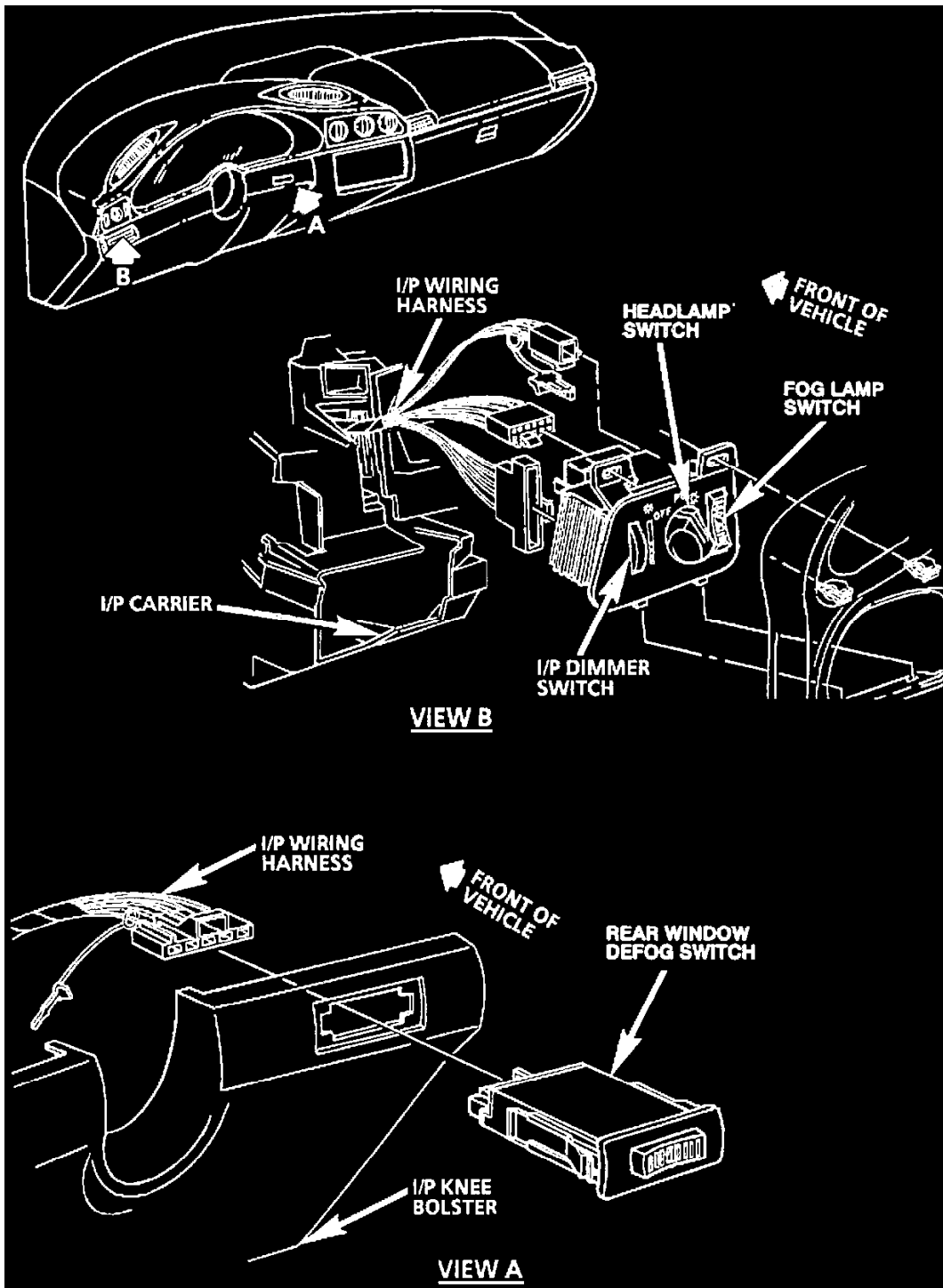


Behind I/P Compartment Door

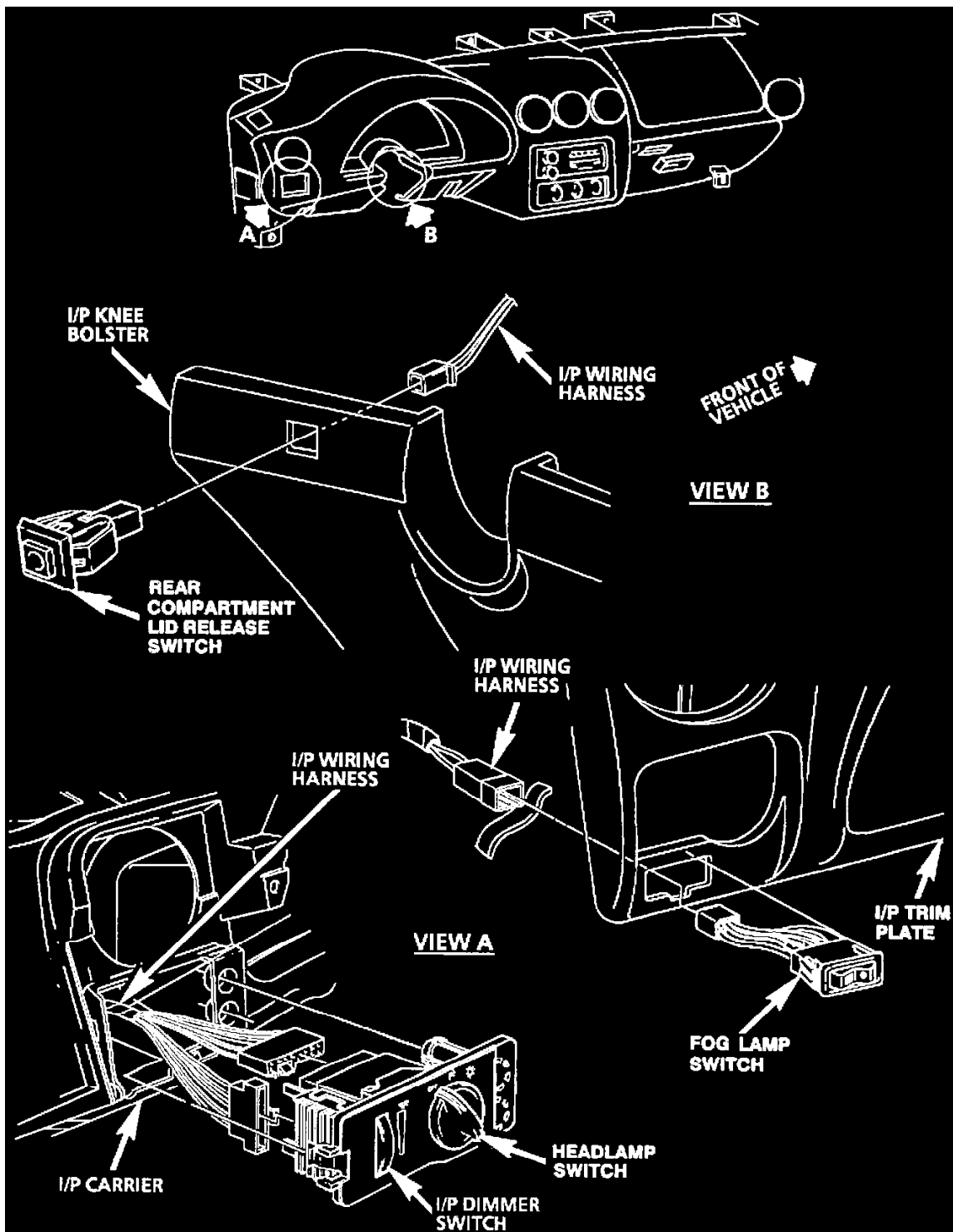


LH Rear Quarter Behind Trim Panel



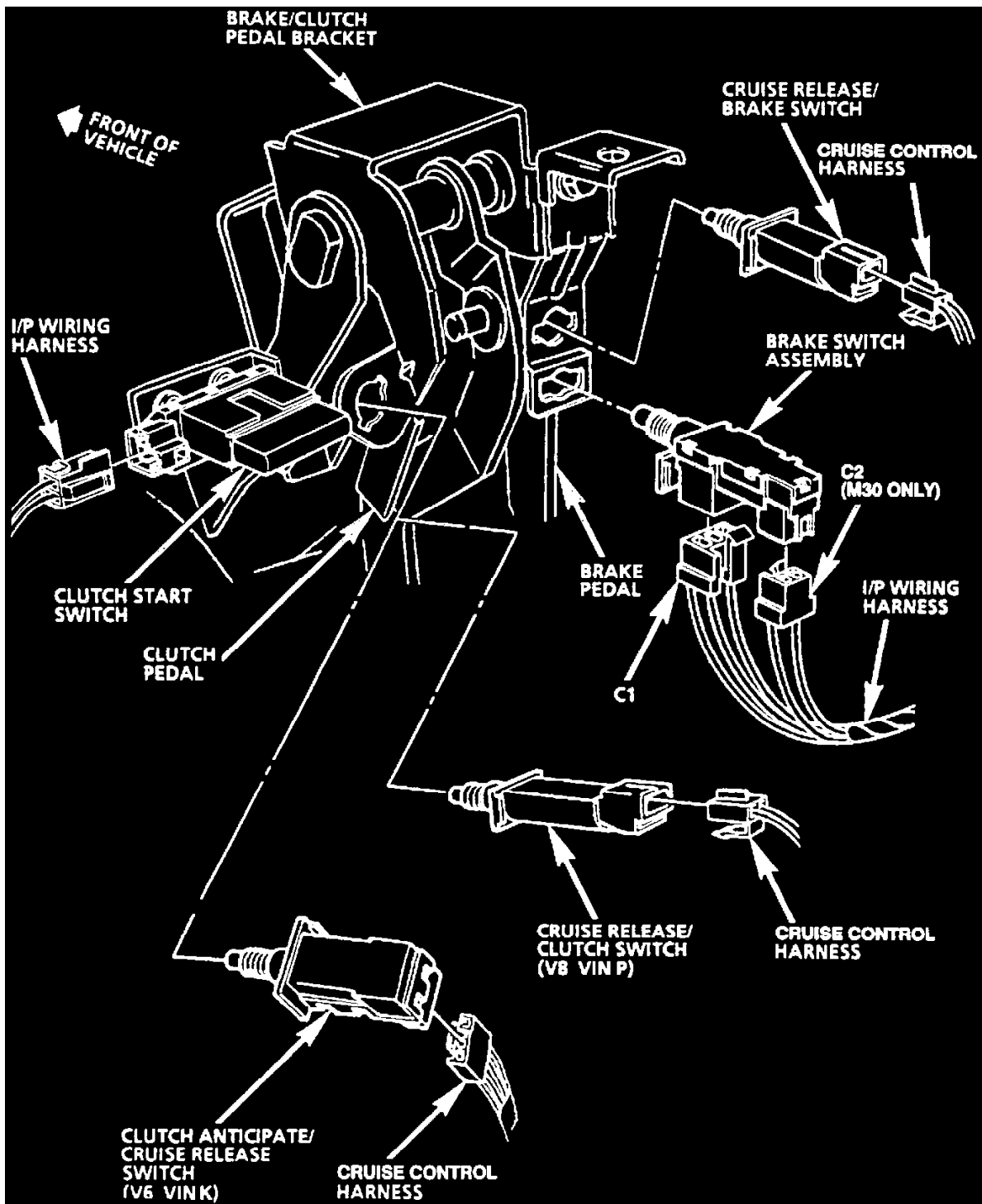


LH Of I/P

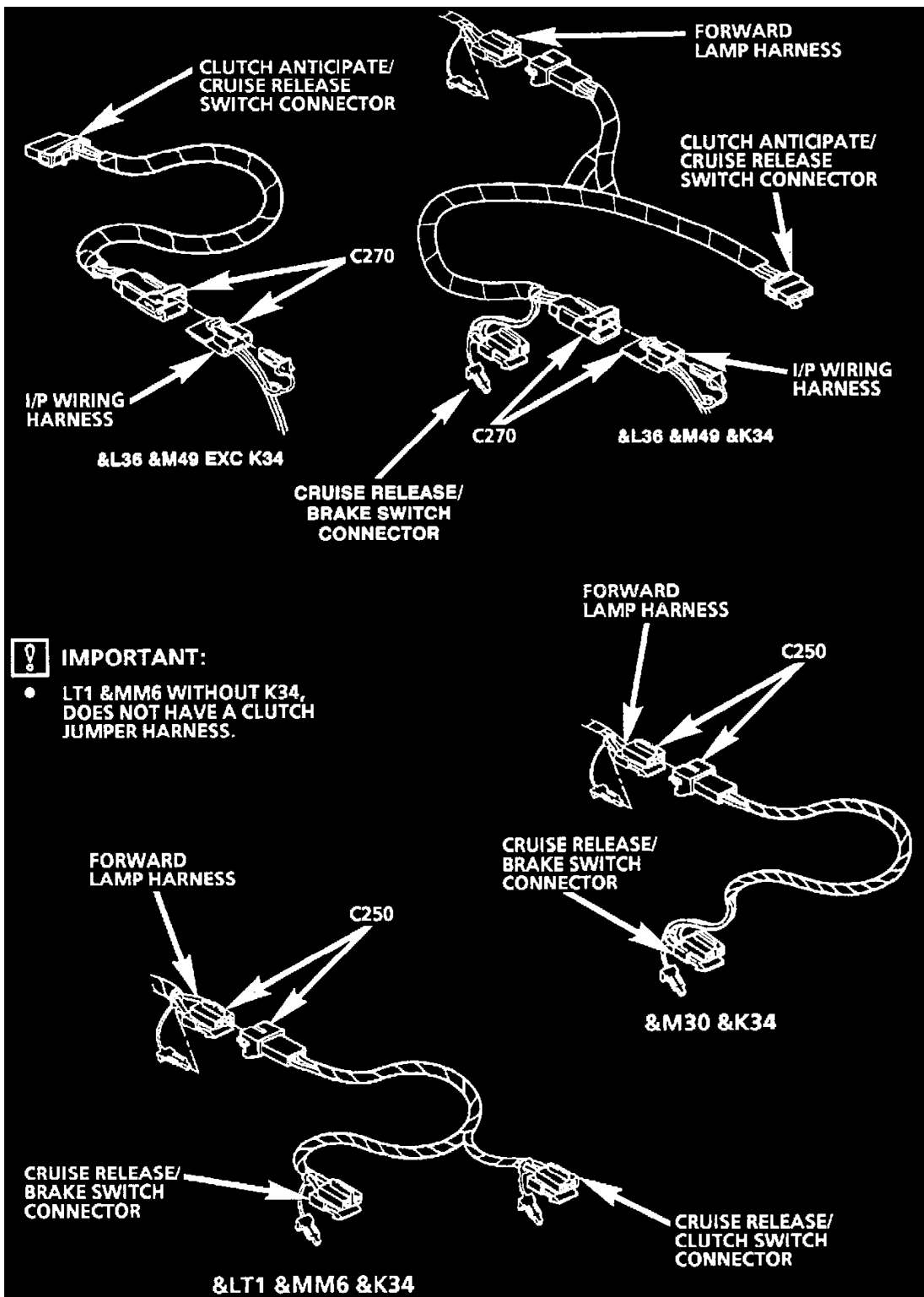


LH Side Of I/P

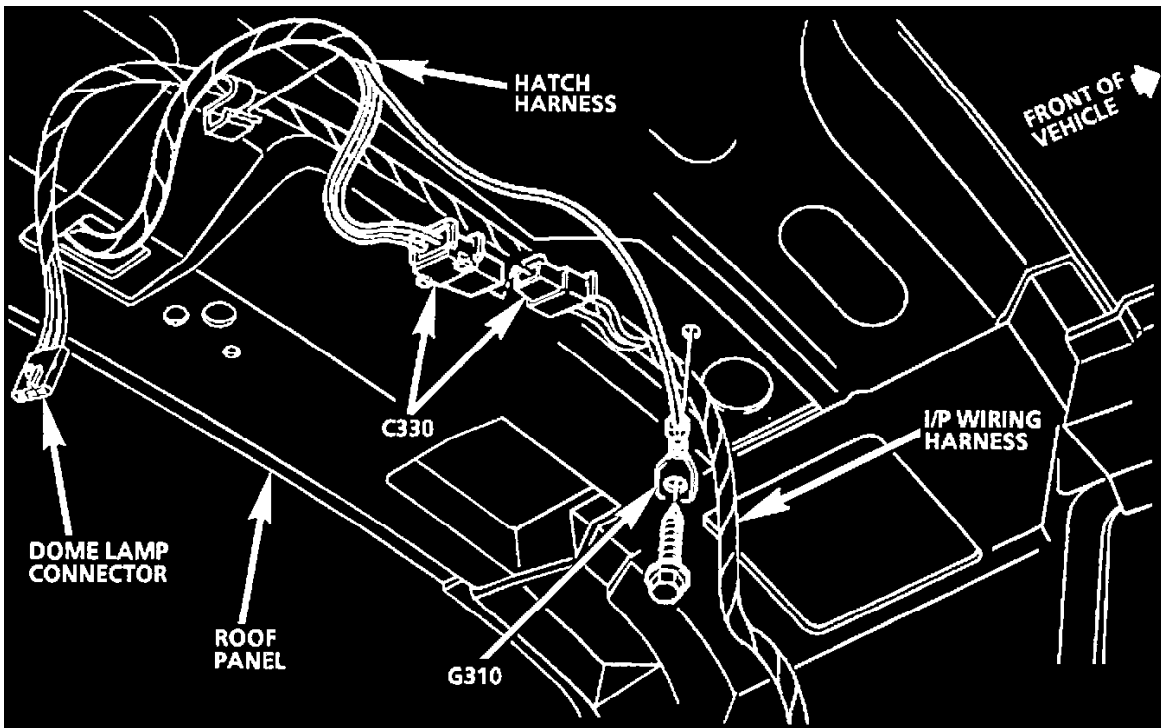
I/P Wiring Harness



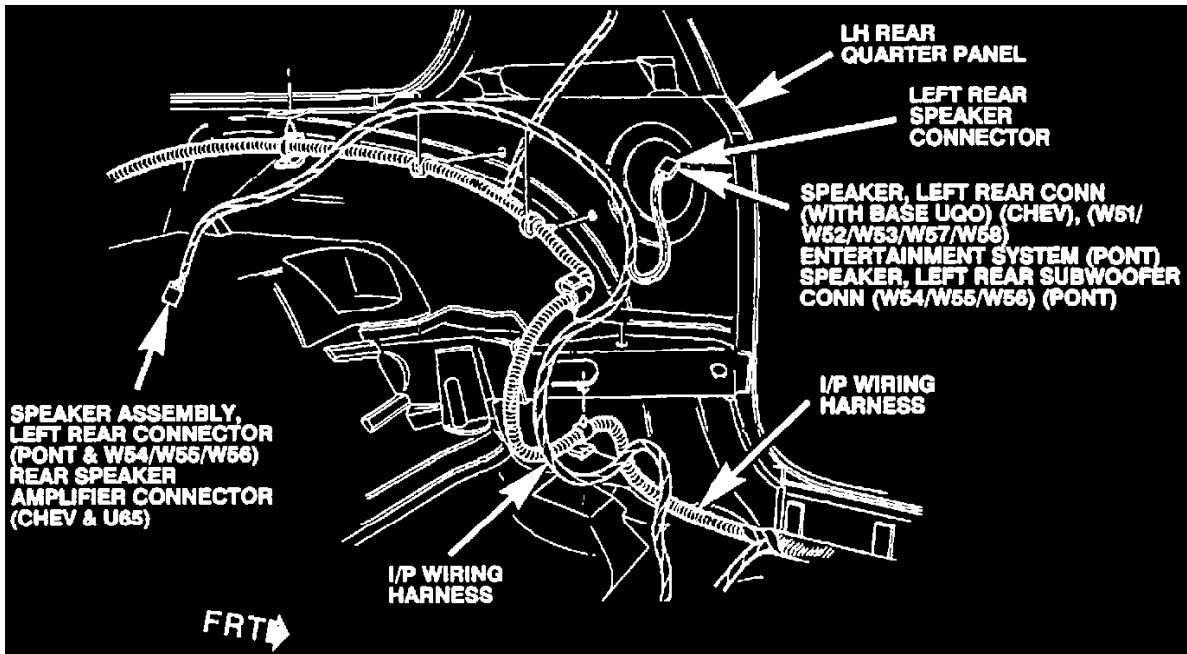
Under LH Side Of I/P



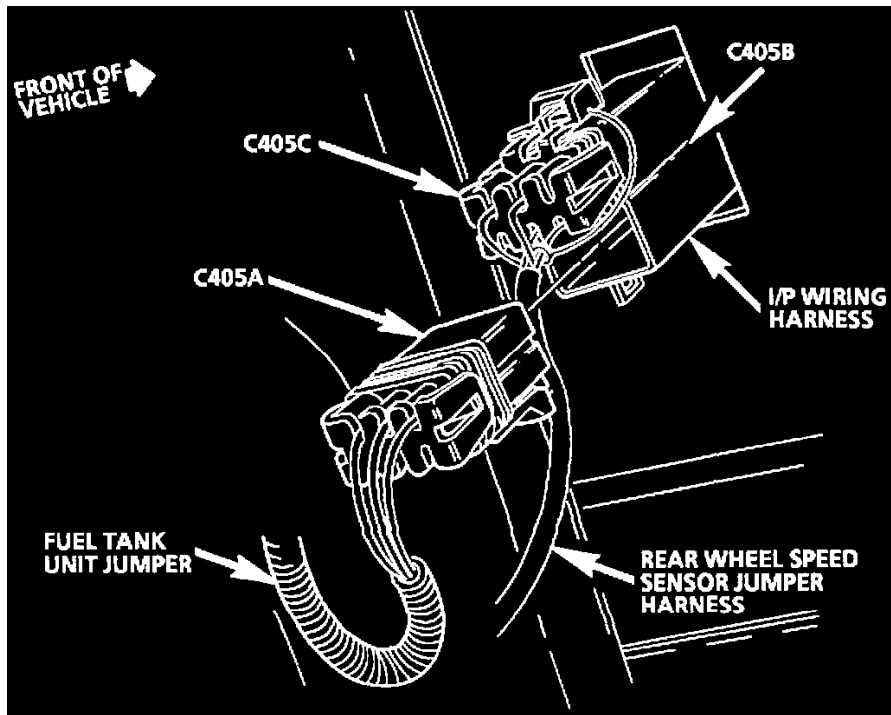
Clutch Jumper Harness Combinations - Manual (M49 Or MM6)



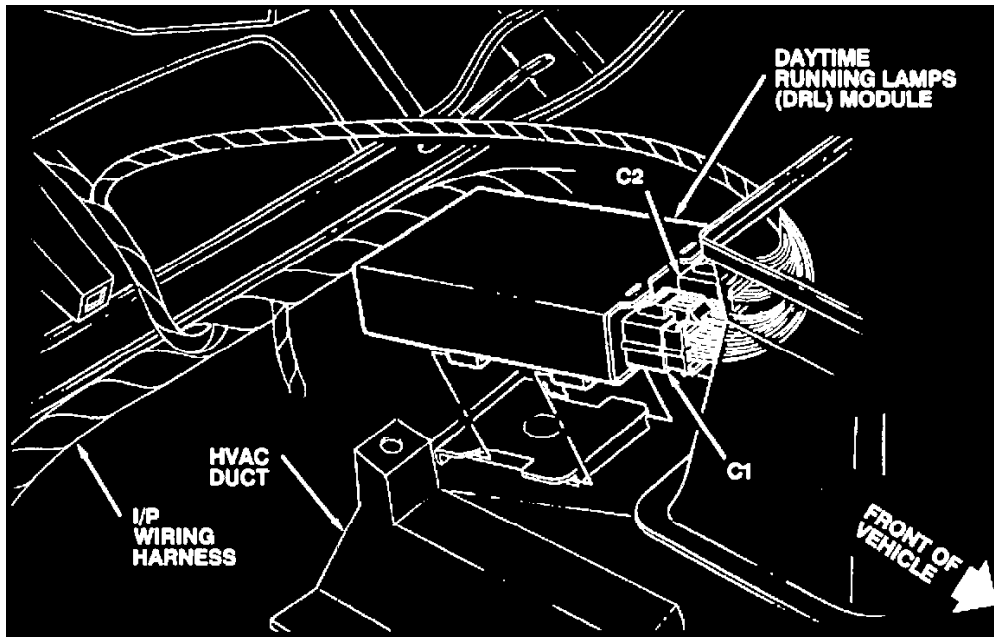
Center Rear On Roof Panel (Coupe)



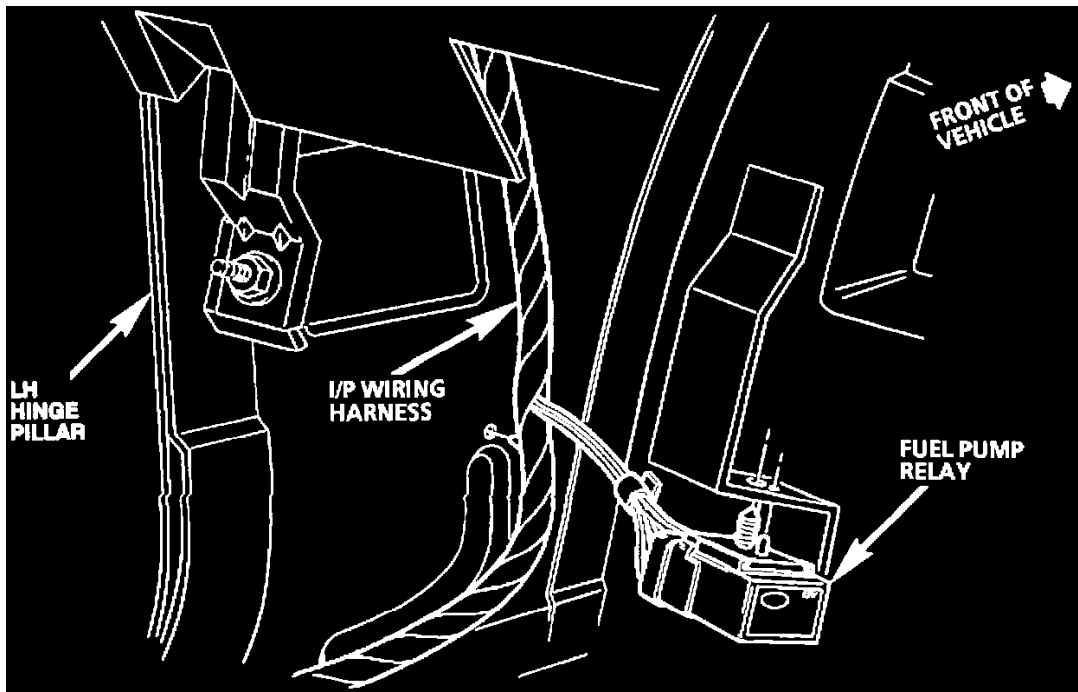
LH Rear Quarter Panel



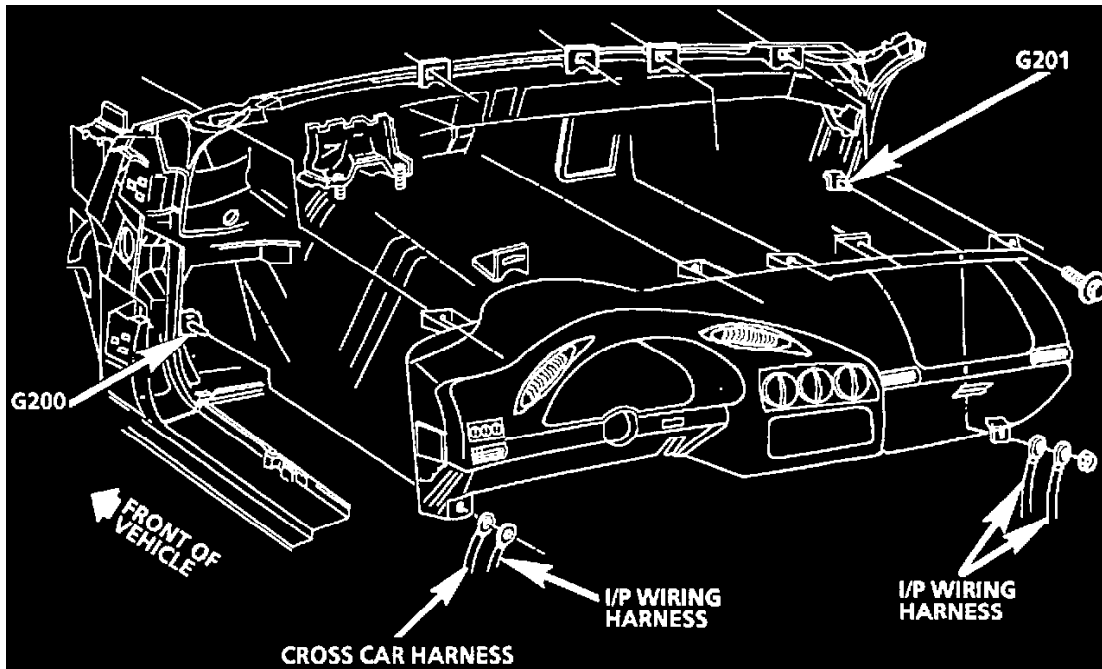
Forward Of LH Side Of Rear Axle



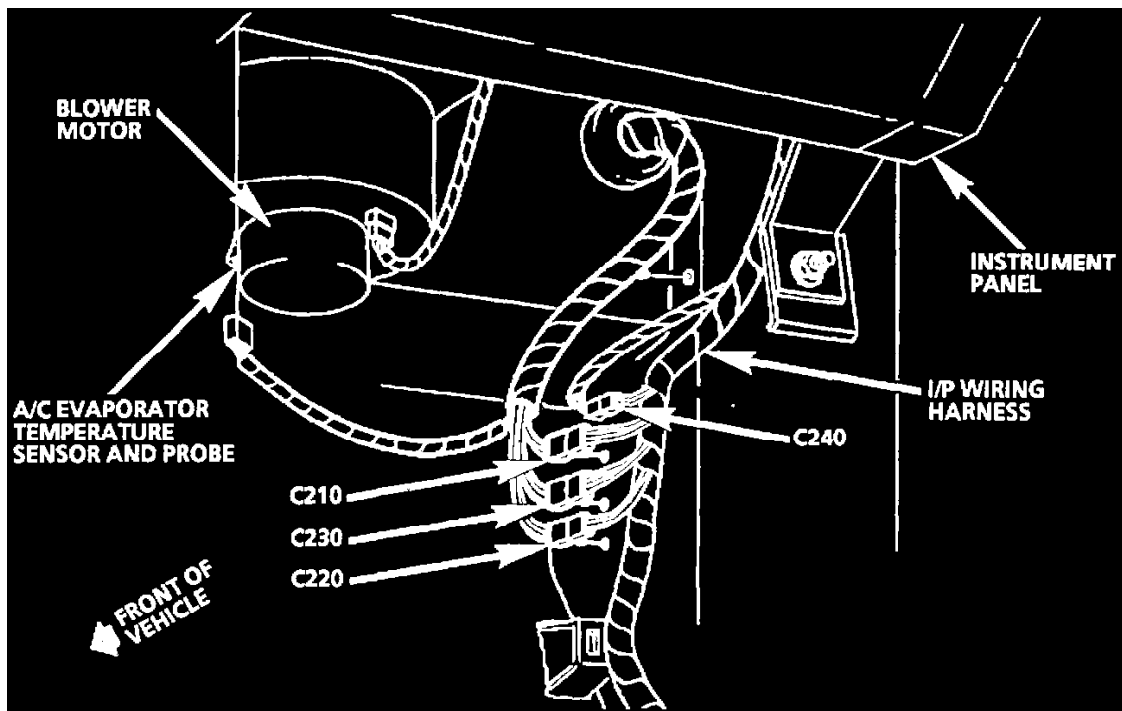
Under Center Of I/P



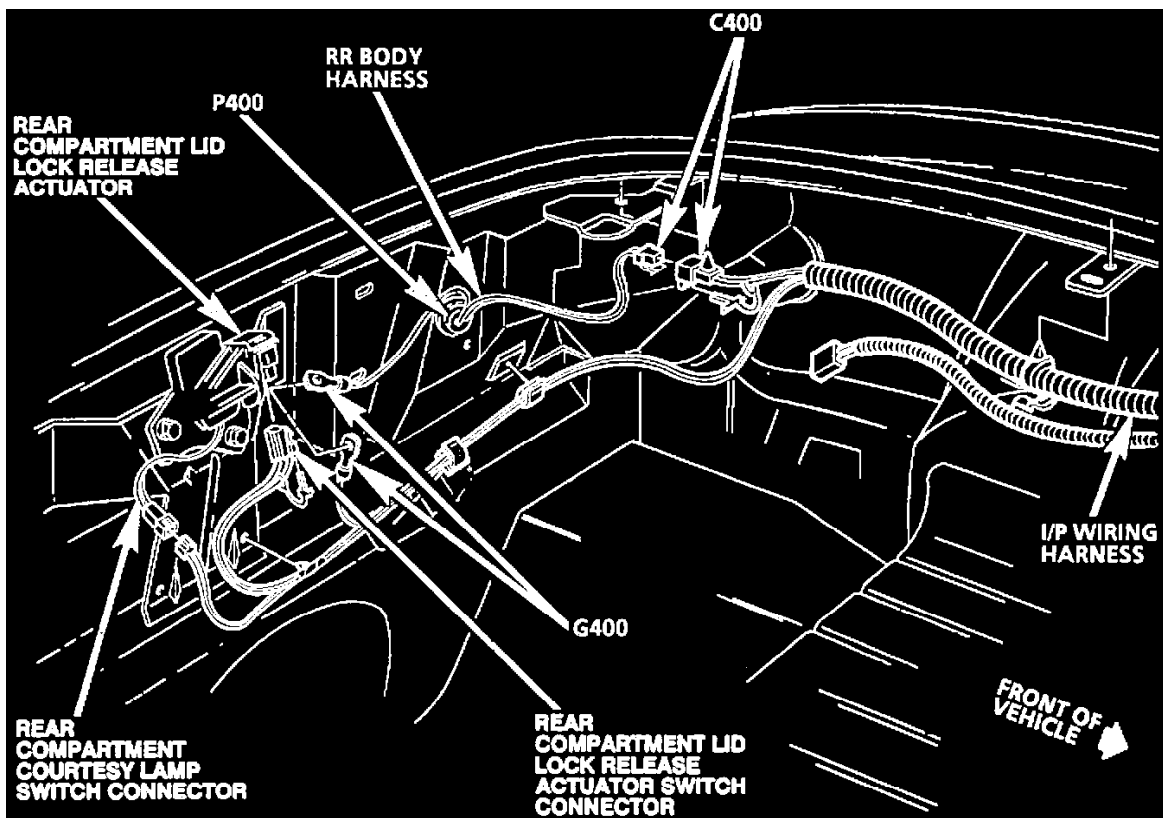
Behind LH Dash Mat



I/P Grounds (Chevy Shown Pontiac Similar)

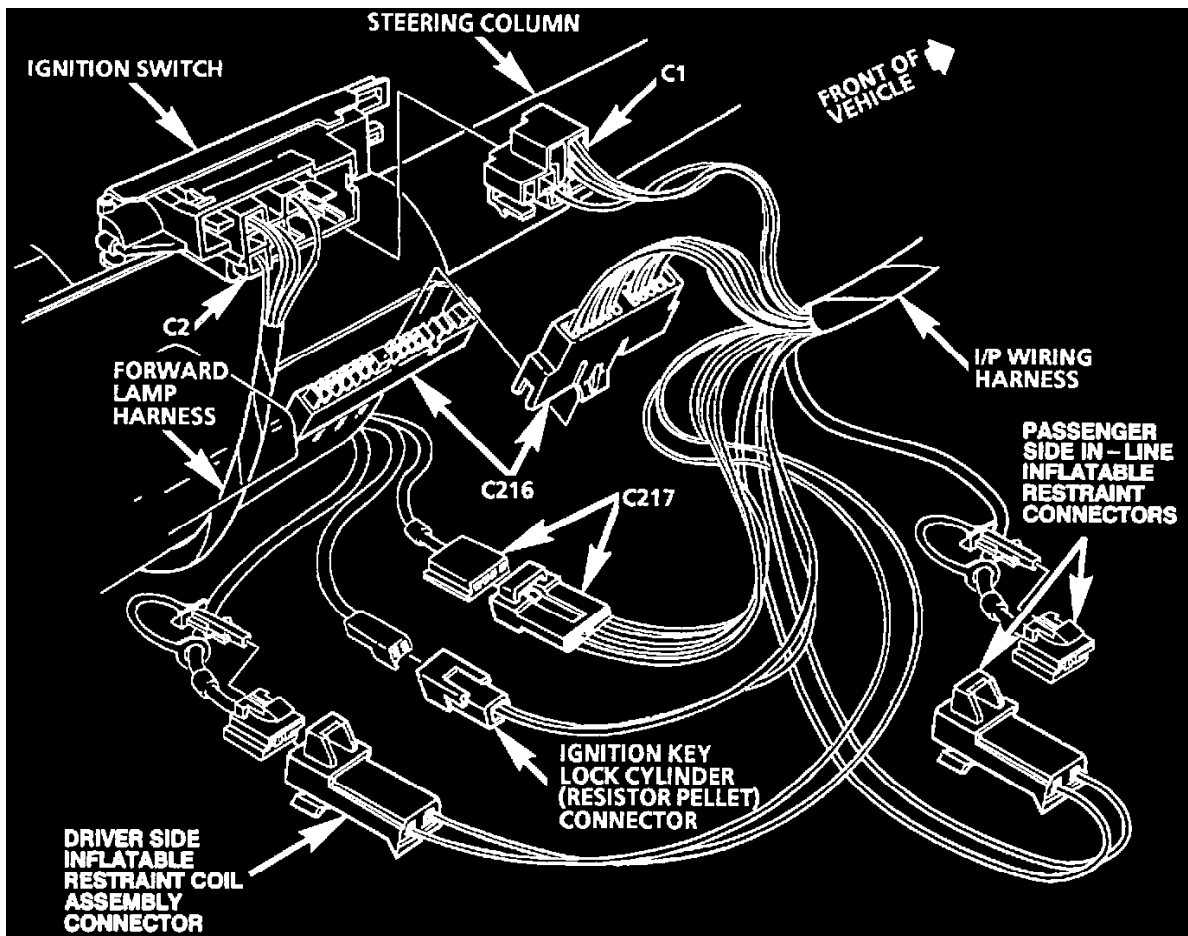


Behind Lower RH Side Of I/P

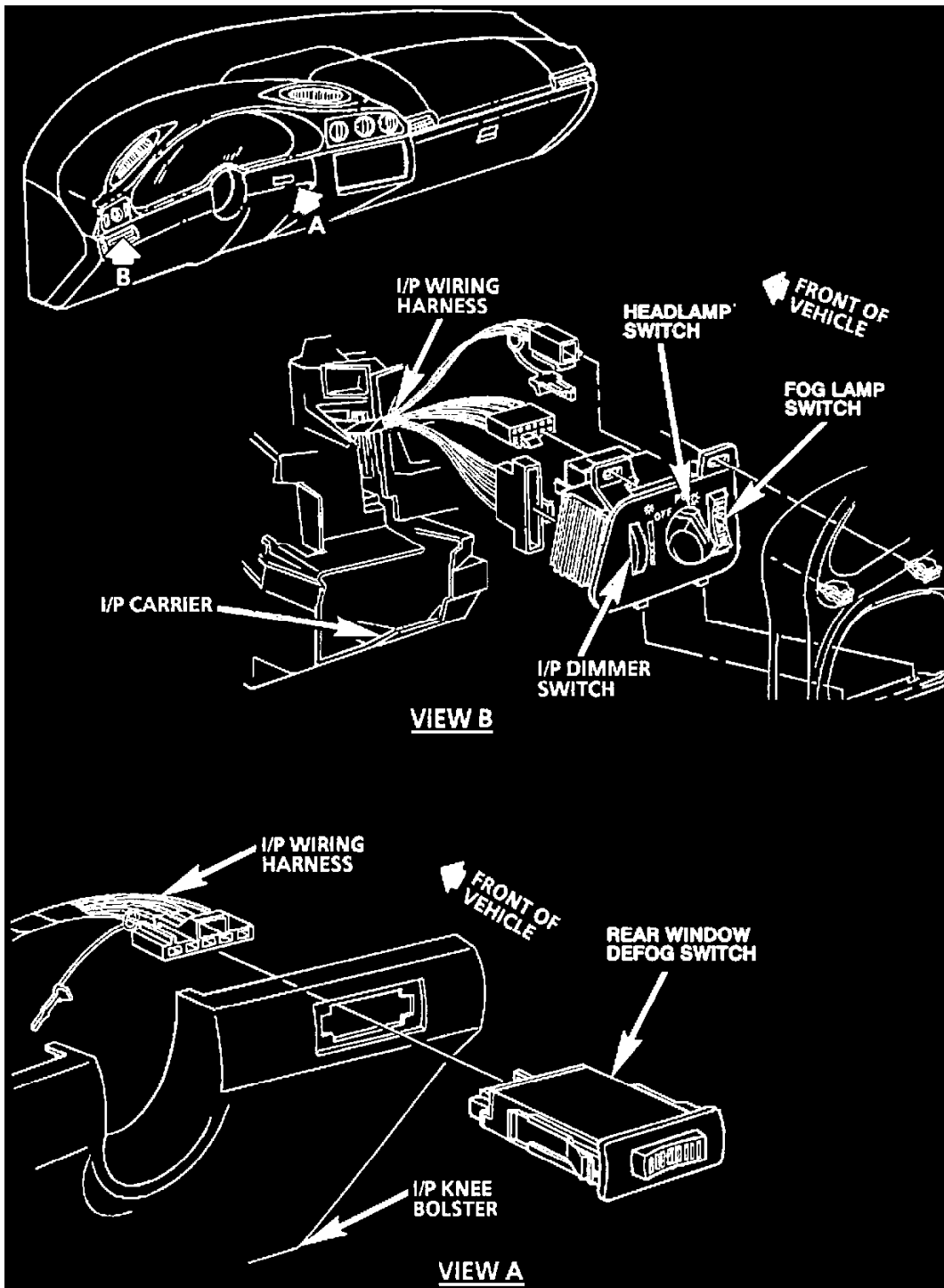


LH Rear Cargo Compartment

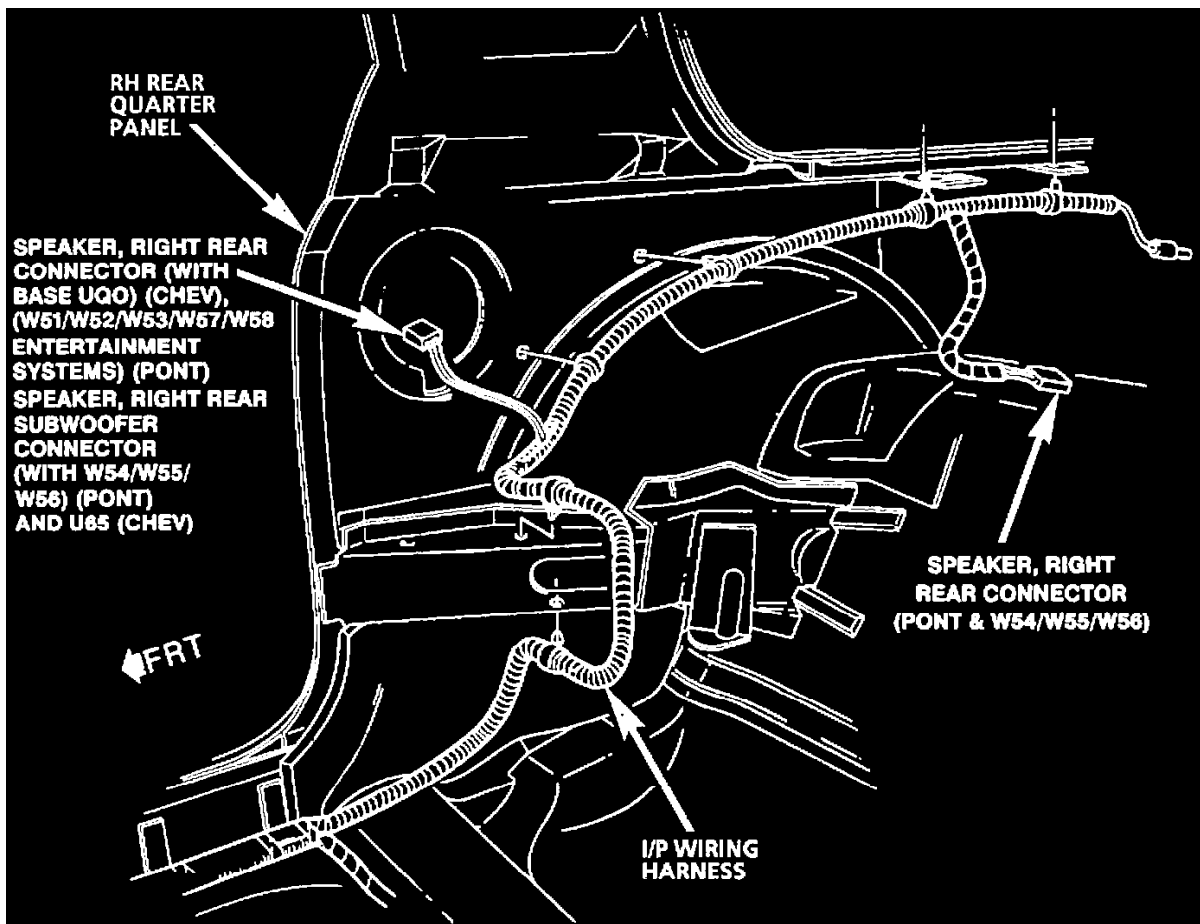




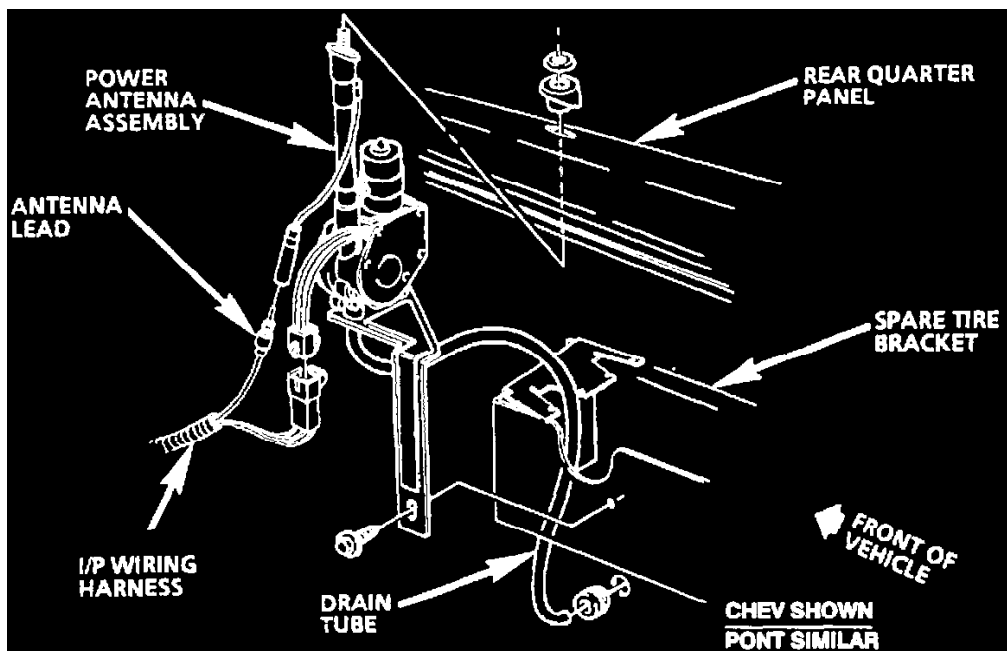
Bottom Of Steering Column



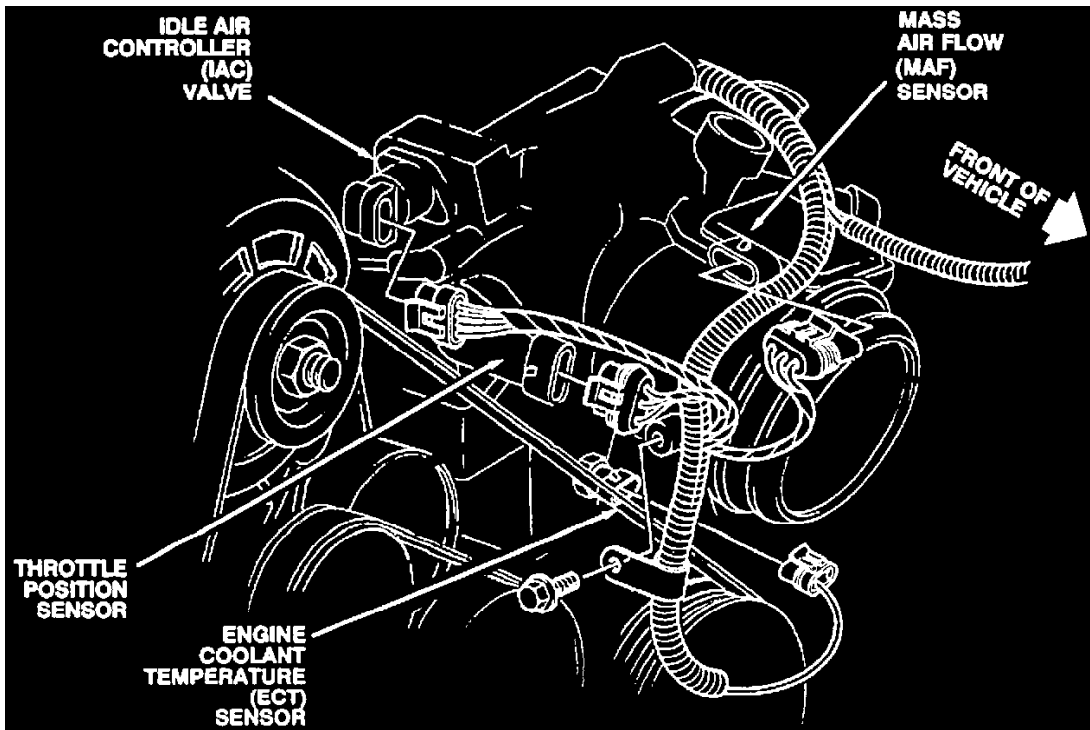
LH Of I/P



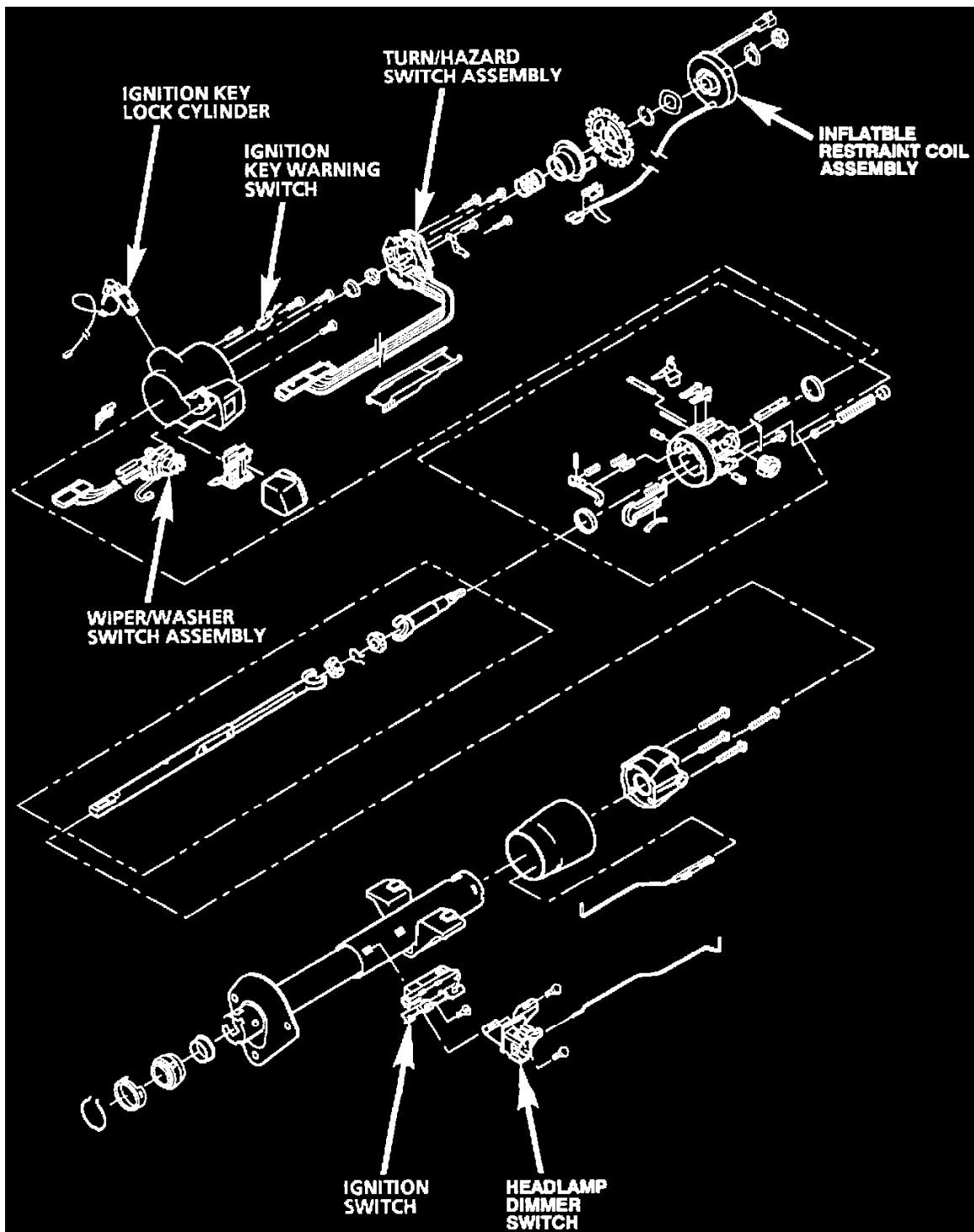
RH Rear Quarter Panel



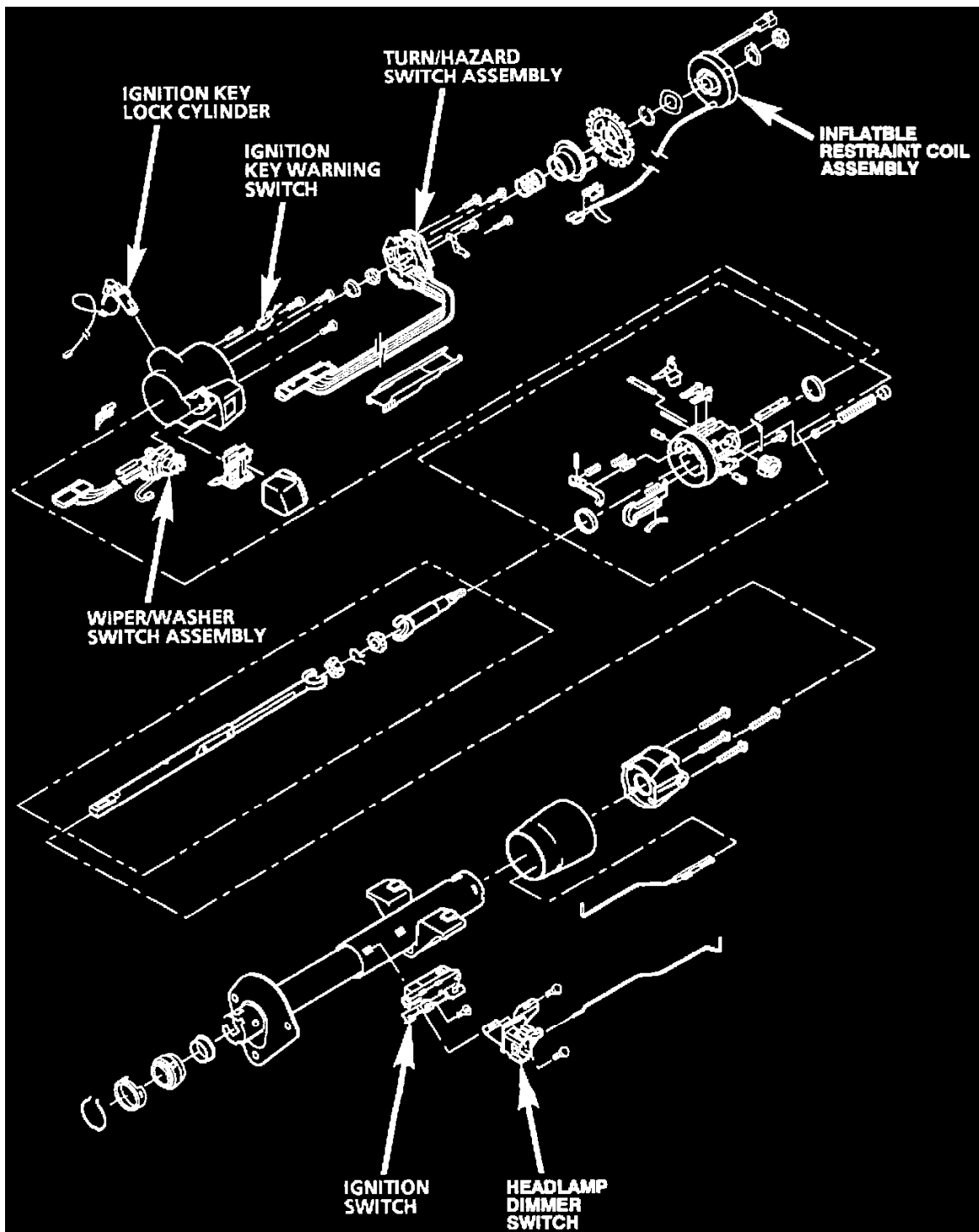
Behind Right Rear Interior Quarter Trim Panel



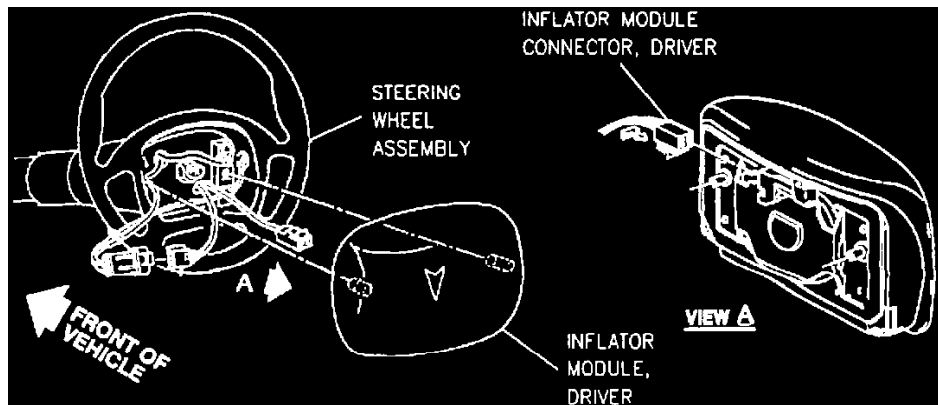
Top Front Of Intake Manifold



Steering Column Internals



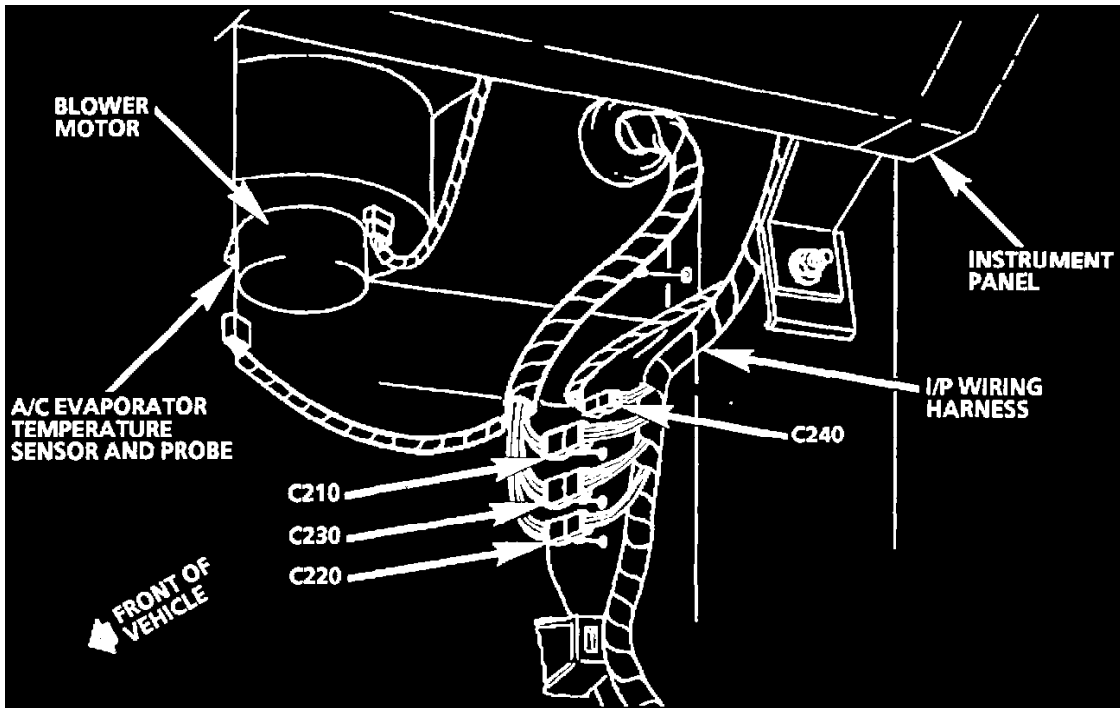
Steering Column Internals



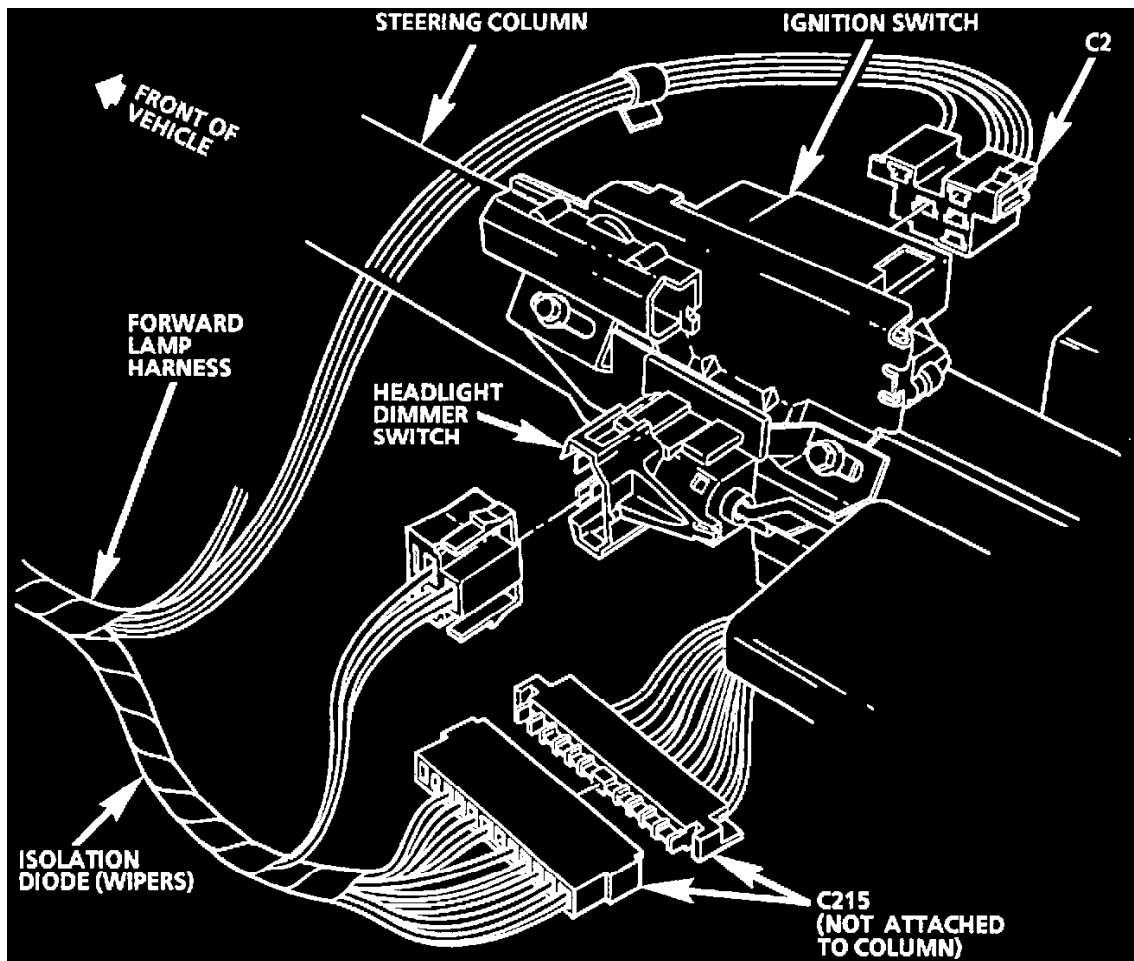
Steering Wheel Controls

Instrument Cluster

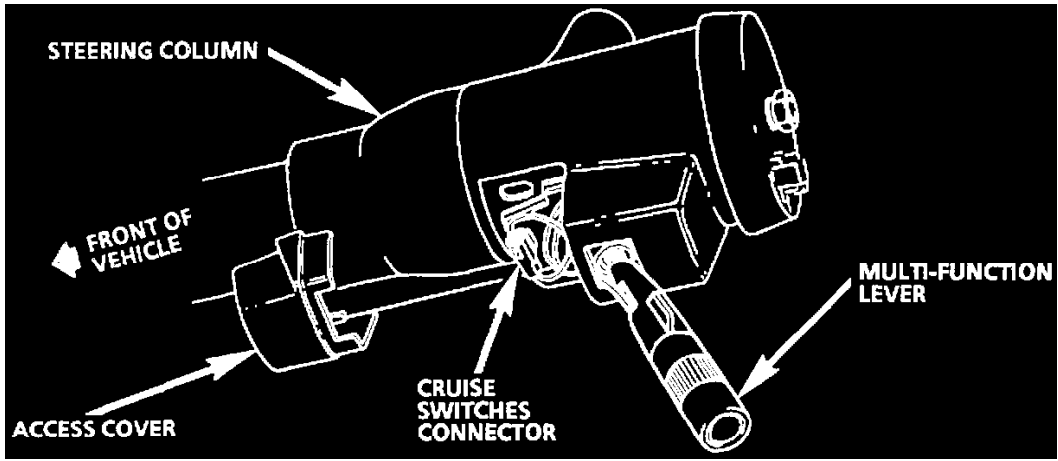
LH side of I/P



Behind Lower RH Side Of I/P



Bottom Of Steering Column



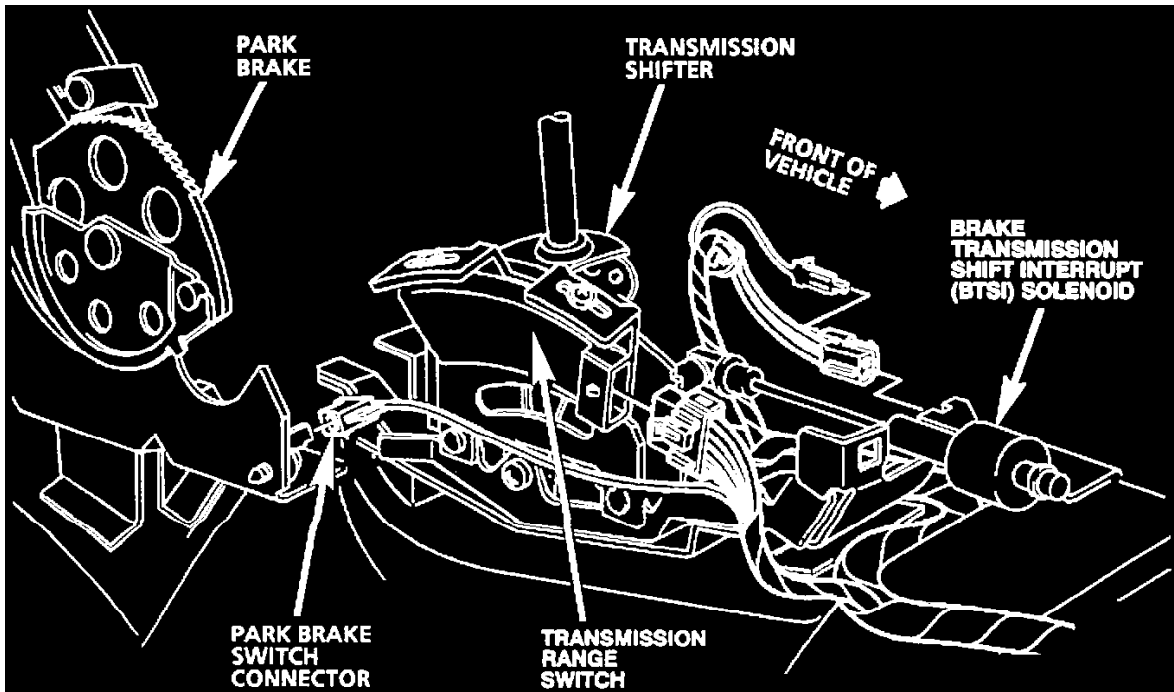
Steering Column

**LH**

LH front door

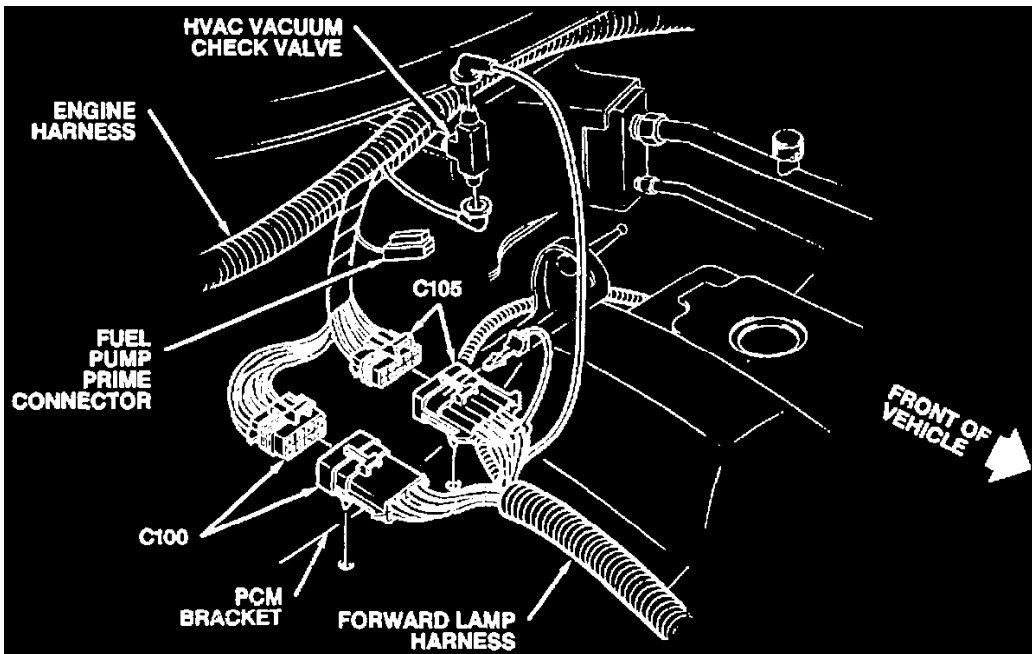
**RH**

RH front door

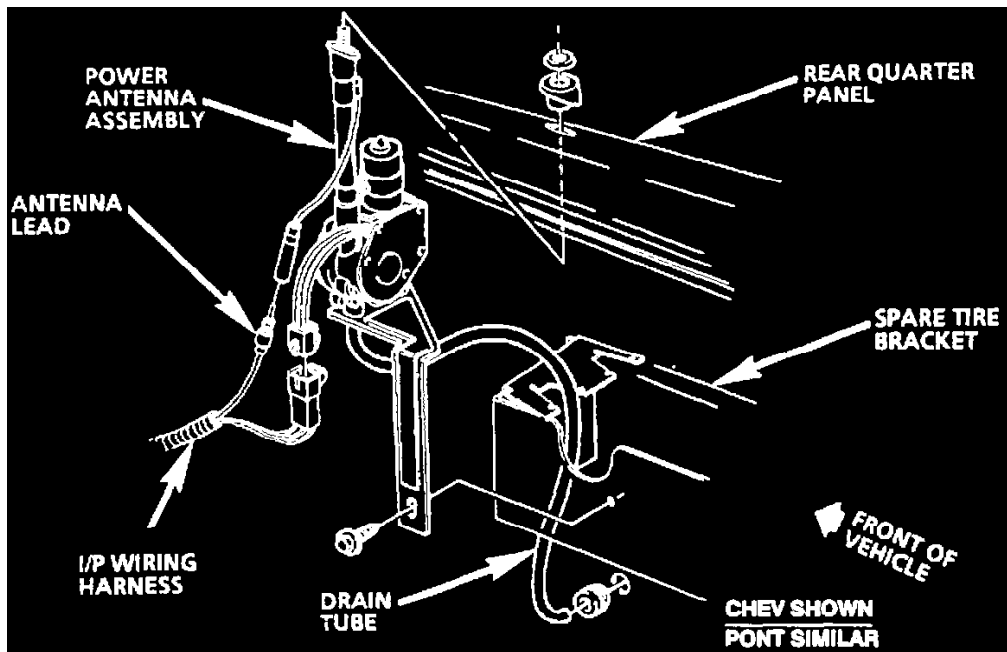


Rear Side Under Console - Automatic (M30)

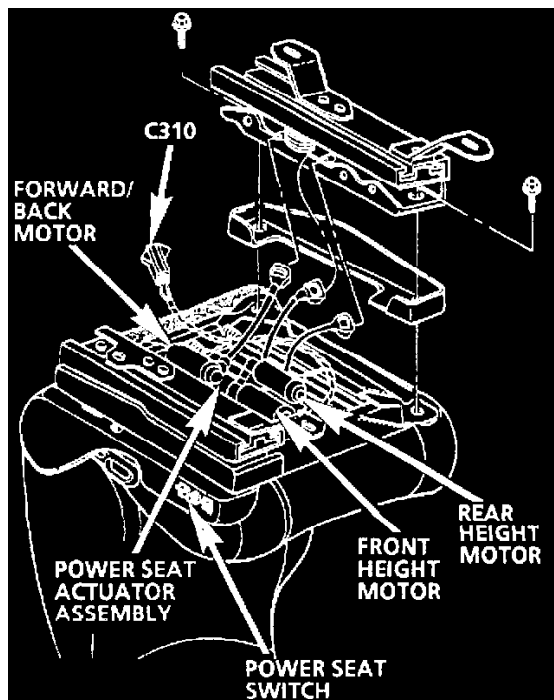




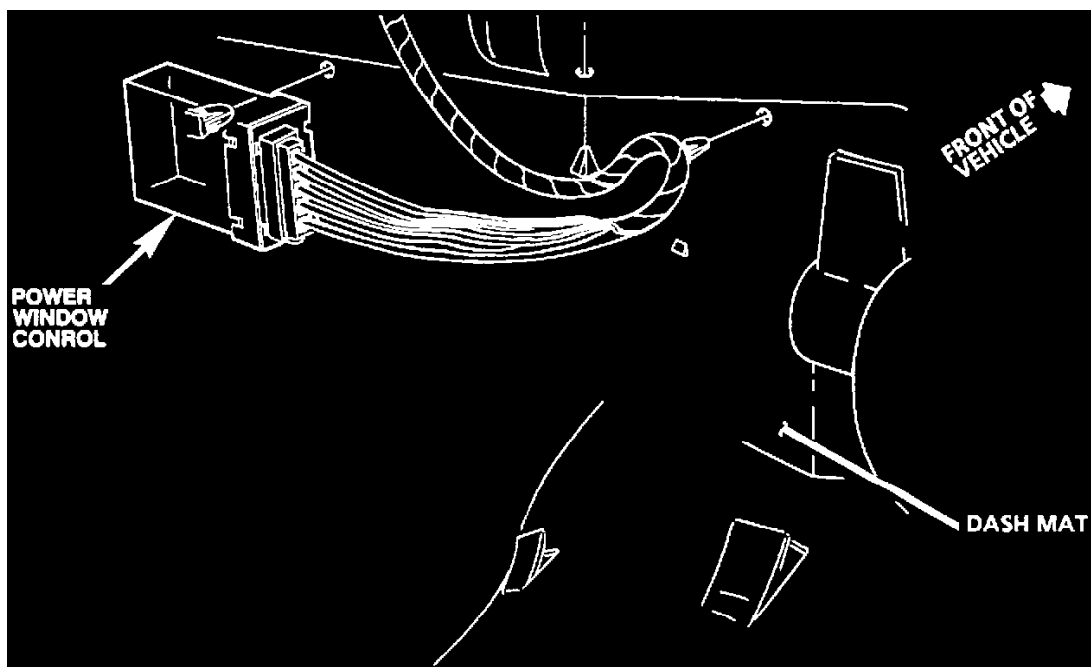
Right Rear Of Engine Compartment



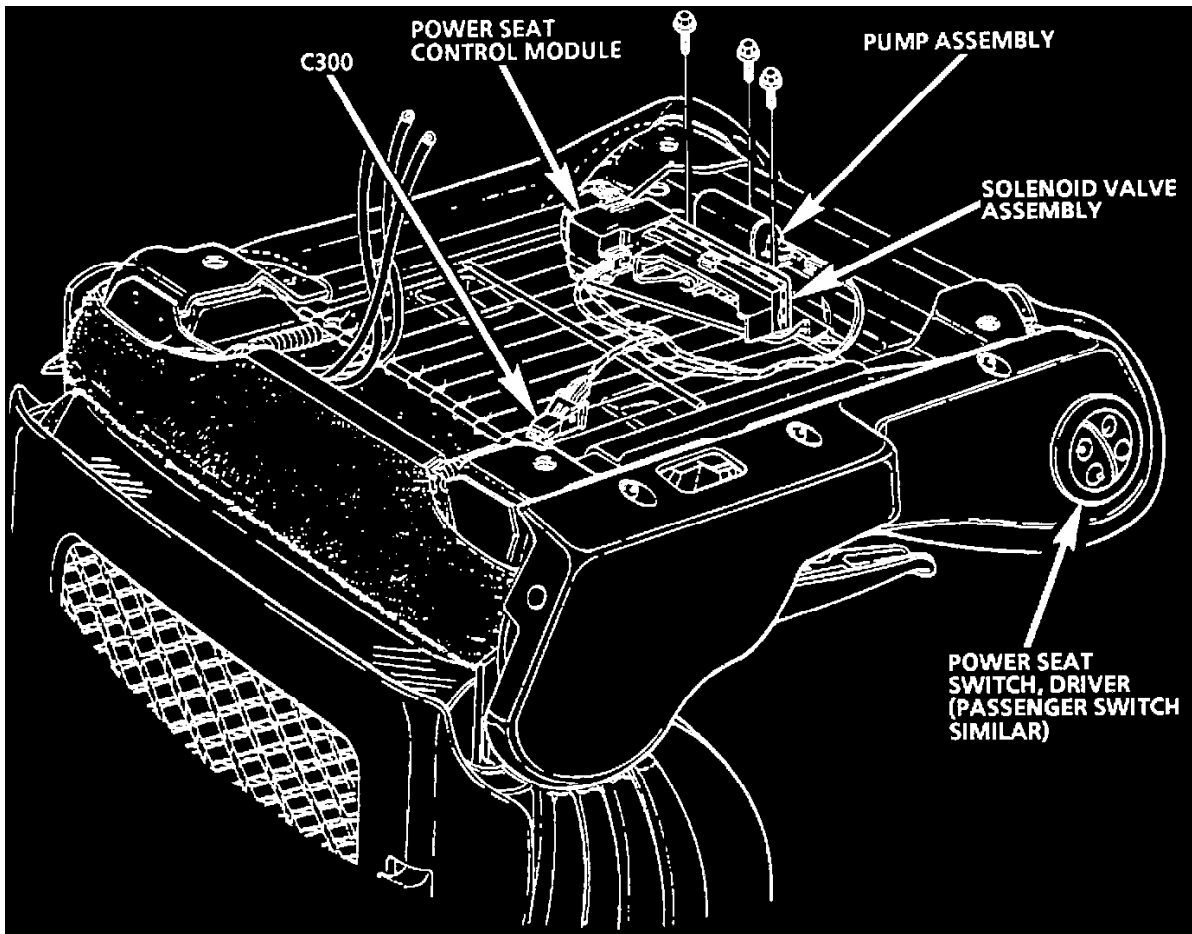
Behind Right Rear Interior Quarter Trim Panel



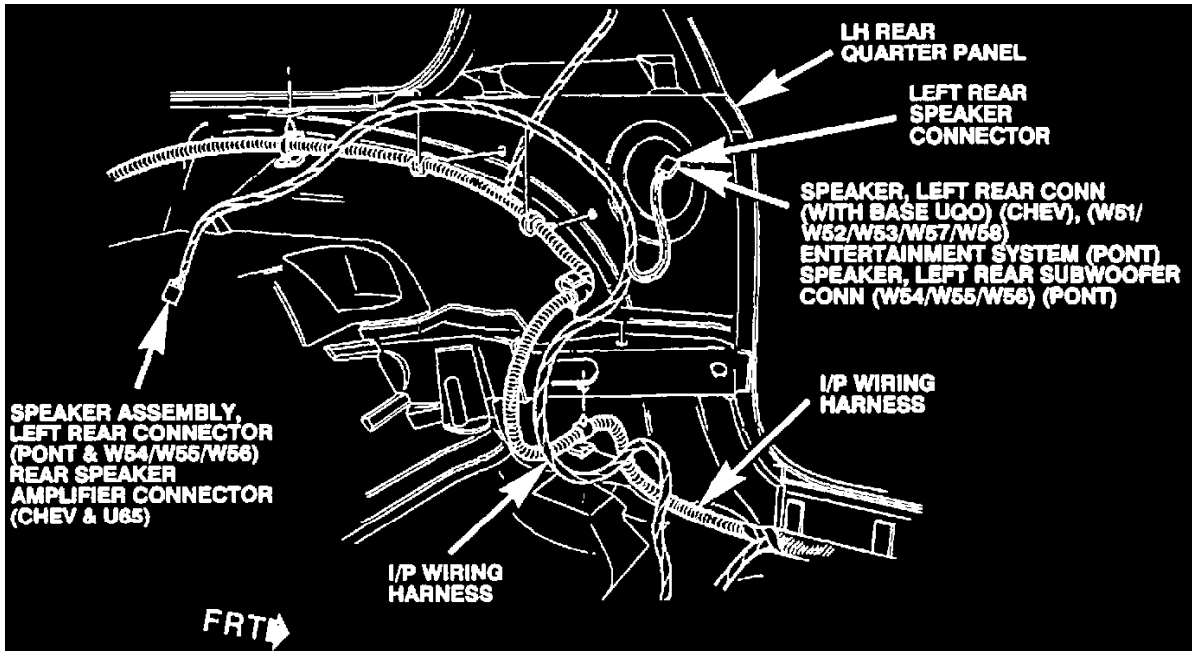
Bottom Of Driver Seat (AG1)



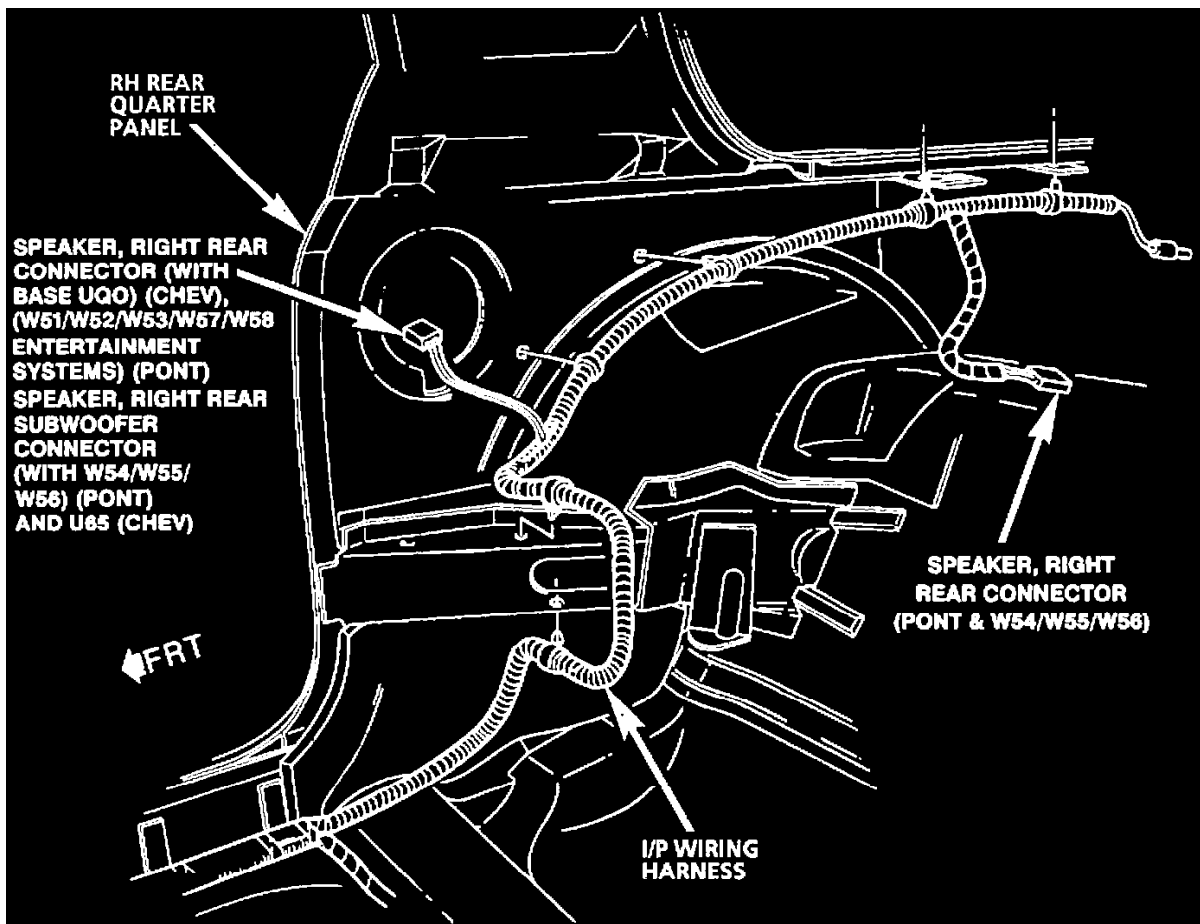
Center Of Dash Mat Above Floor Tunnel



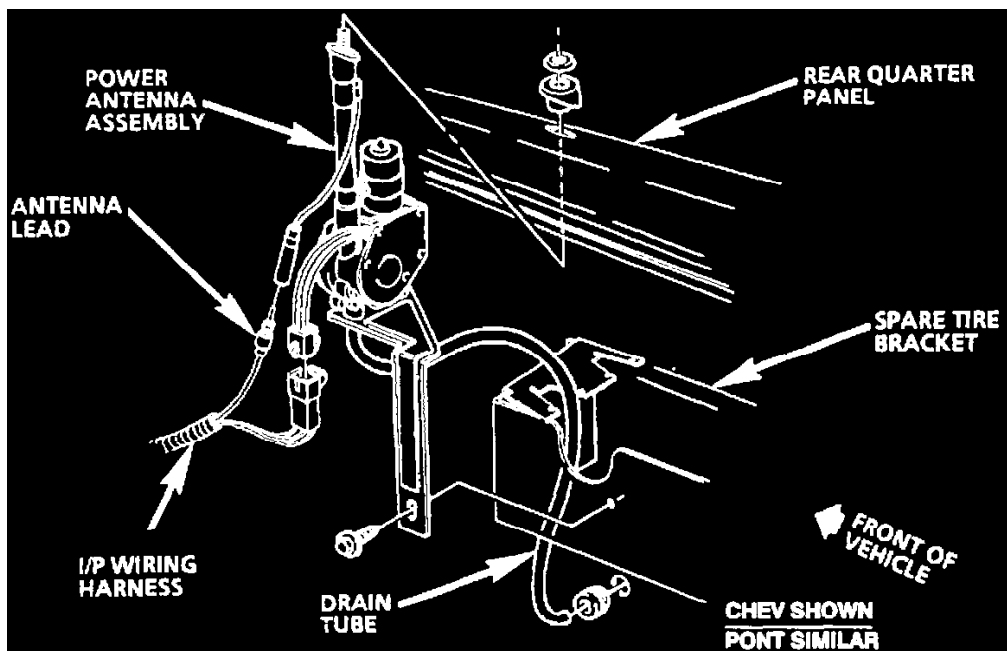
Under Driver's Seat (AQ9)



LH Rear Quarter Panel



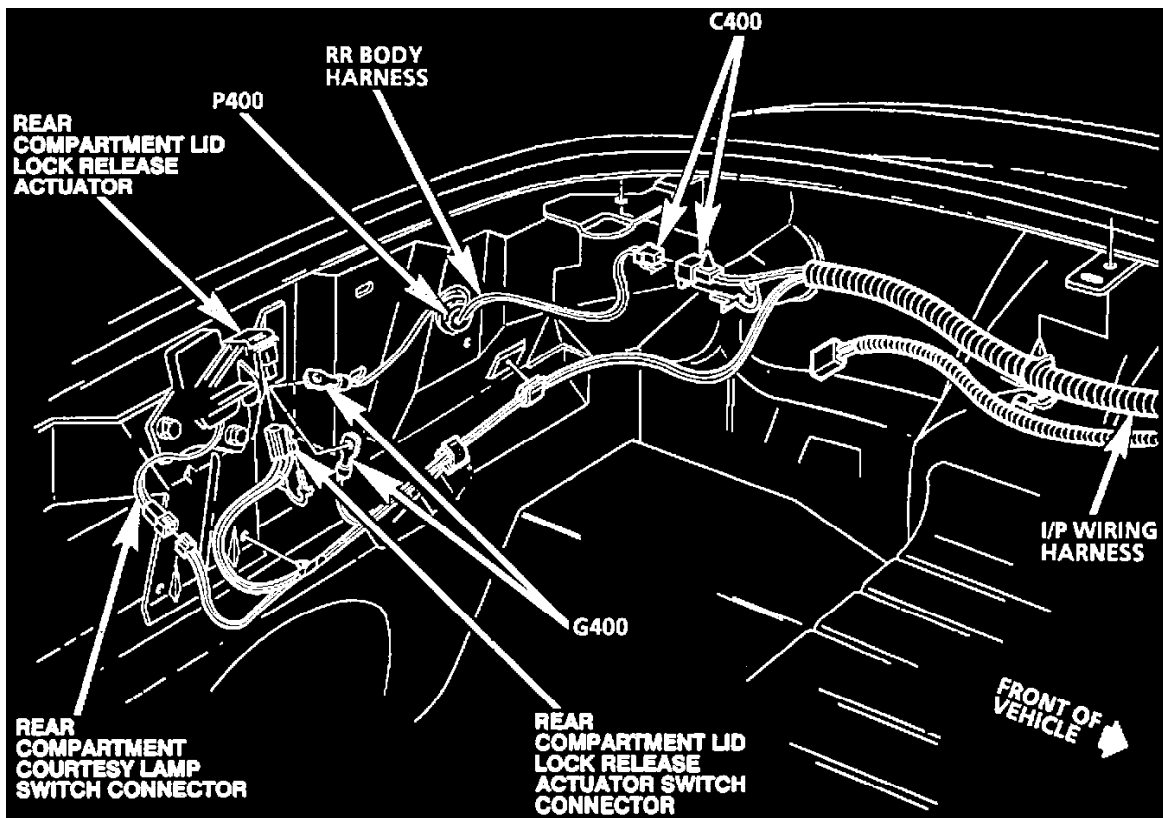
RH Rear Quarter Panel



Behind Right Rear Interior Quarter Trim Panel

## Radio

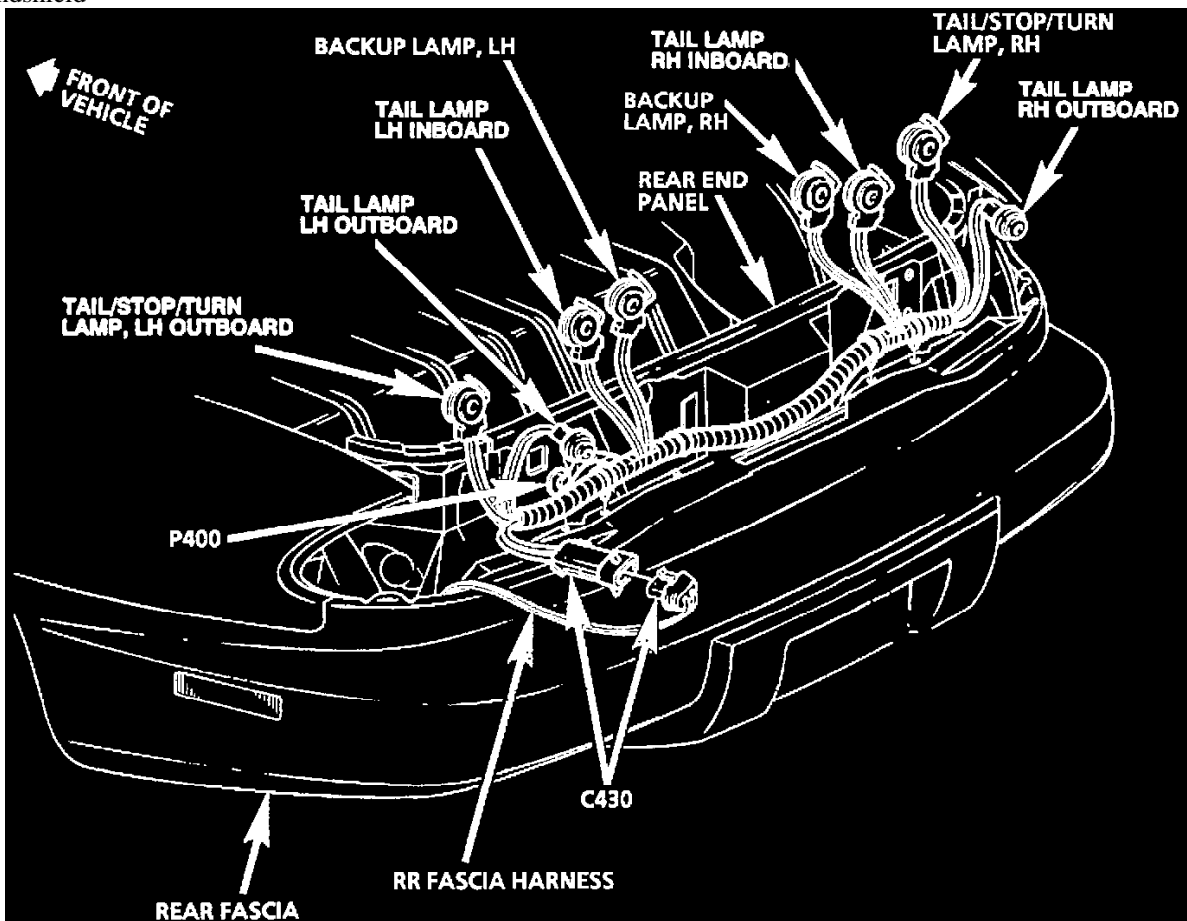
Center of I/P Carrier



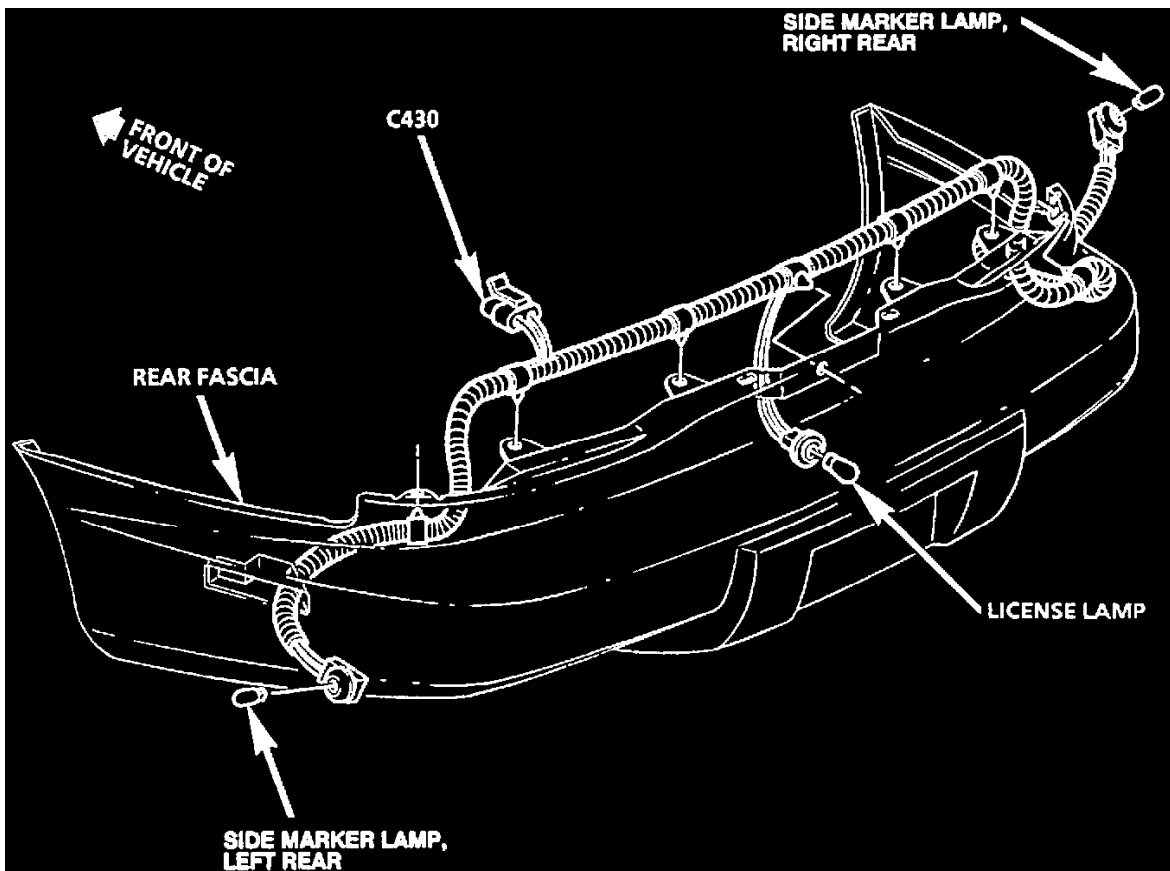
LH Rear Cargo Compartment

### Rear Defogger Grid

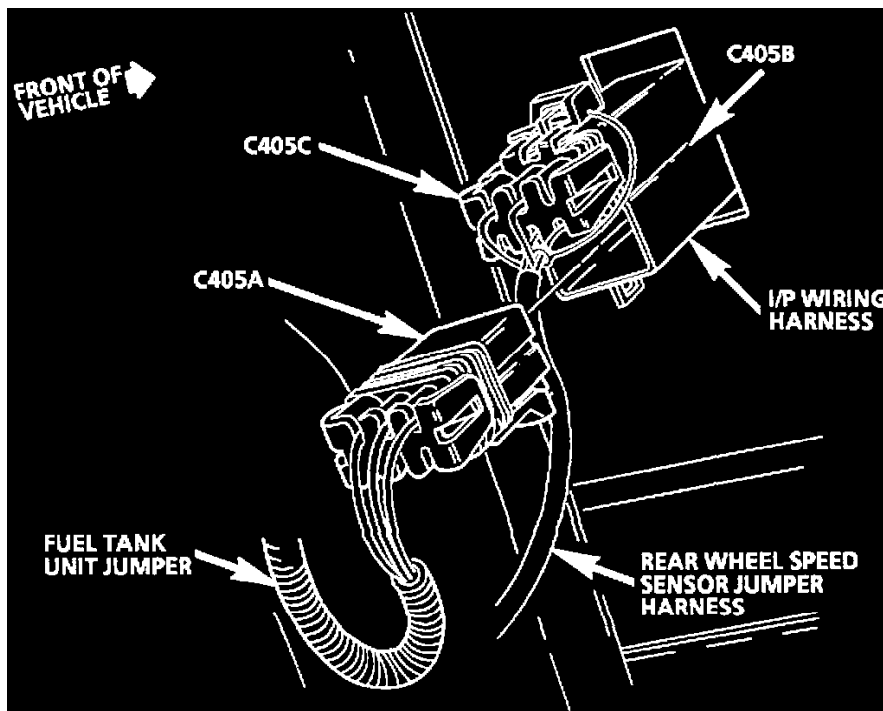
Mounted on rear windshield



Rear Of Vehicle (Chevy, Pont Similar)



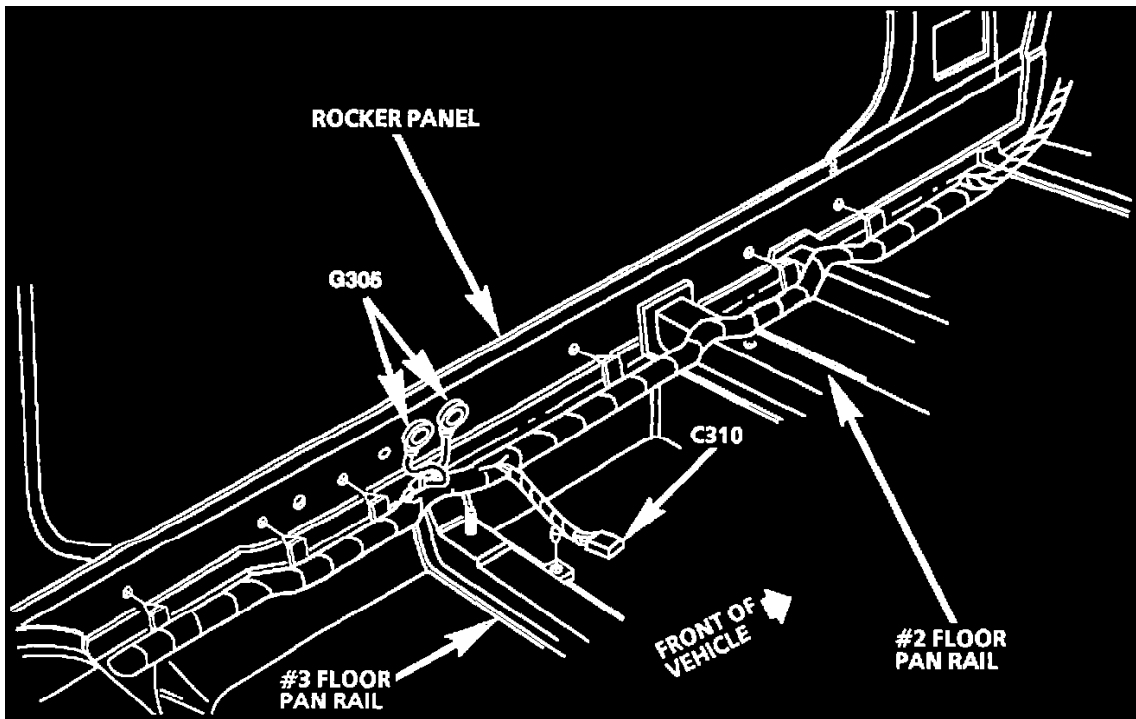
Rear Fascia



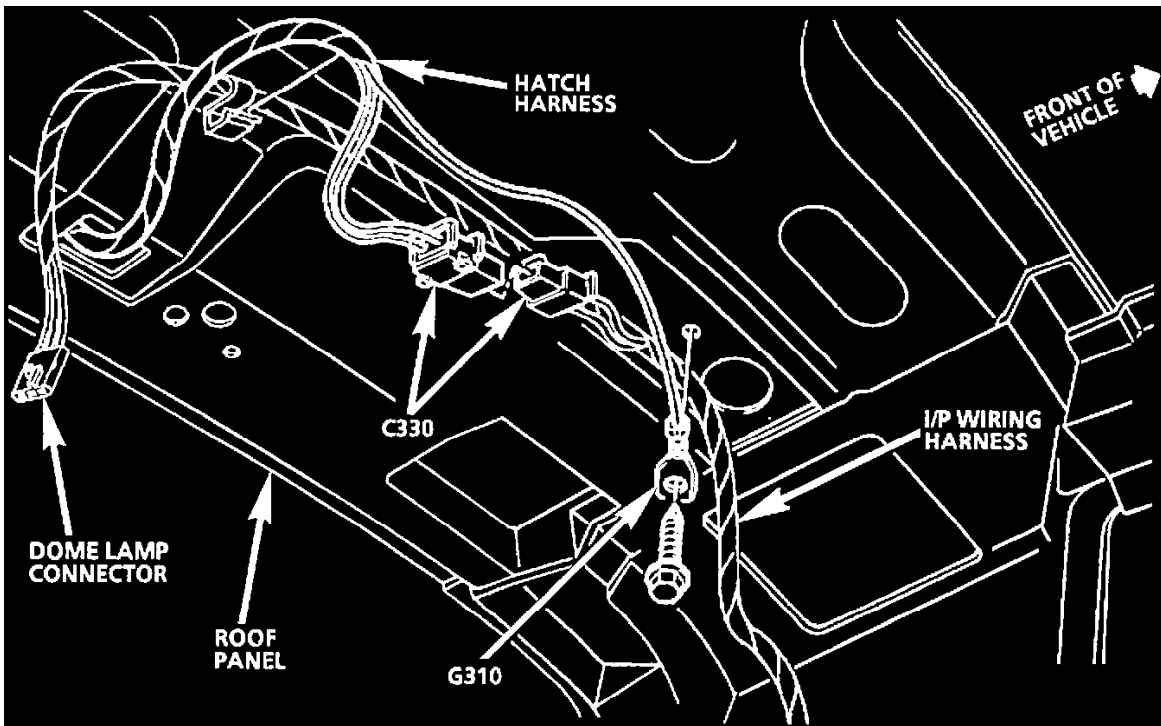
Forward Of LH Side Of Rear Axle

### Rearview Mirror

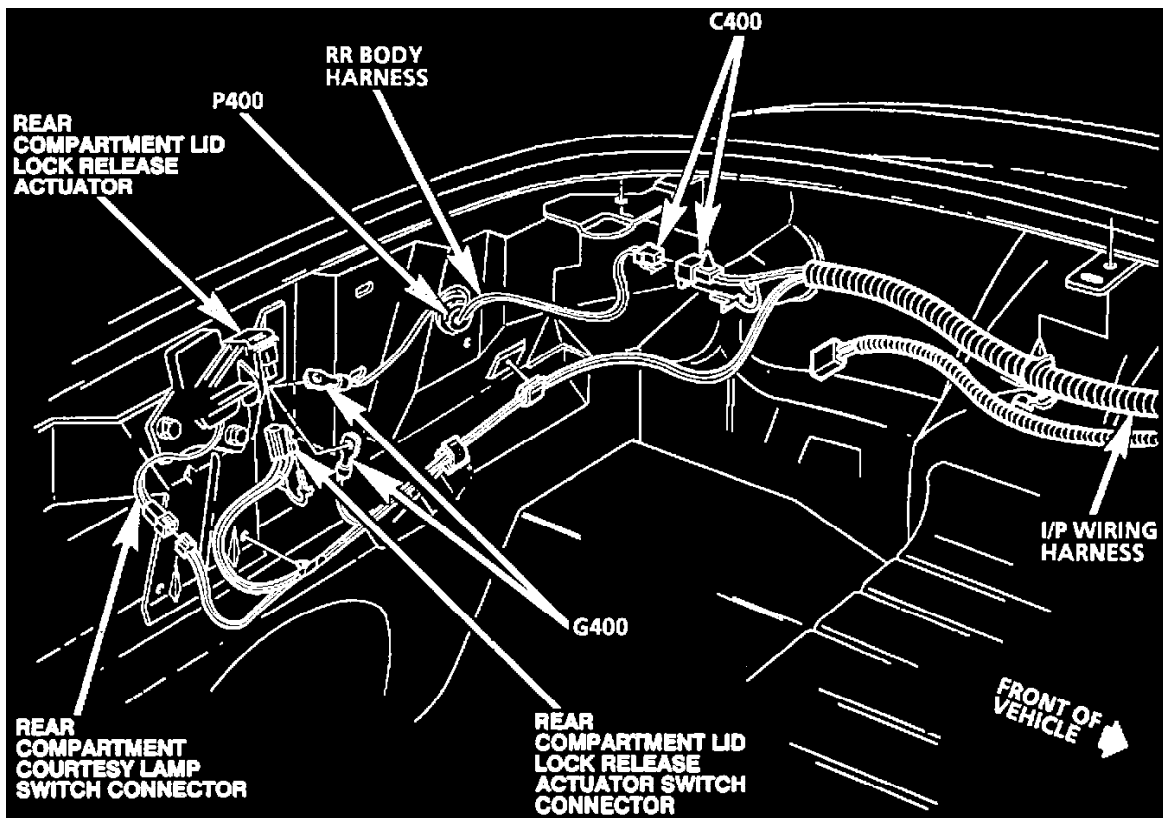
Top center of windshield



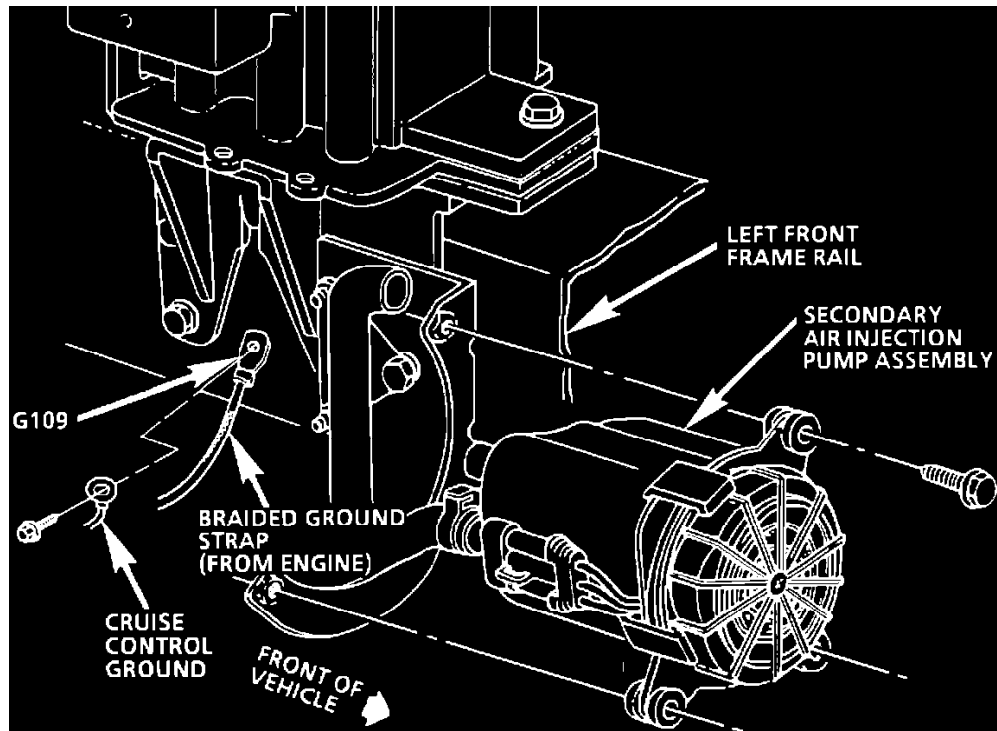
LH Rocker Panel



Center Rear On Roof Panel (Coupe)



LH Rear Cargo Compartment

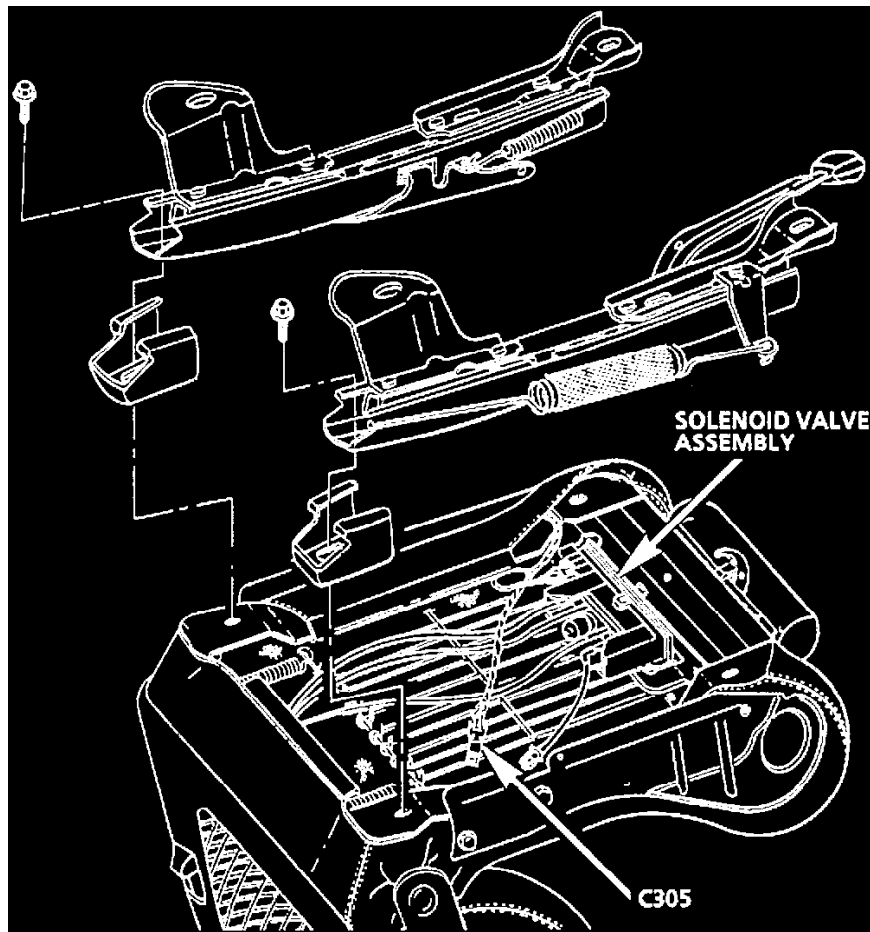


LH Front Frame Rail

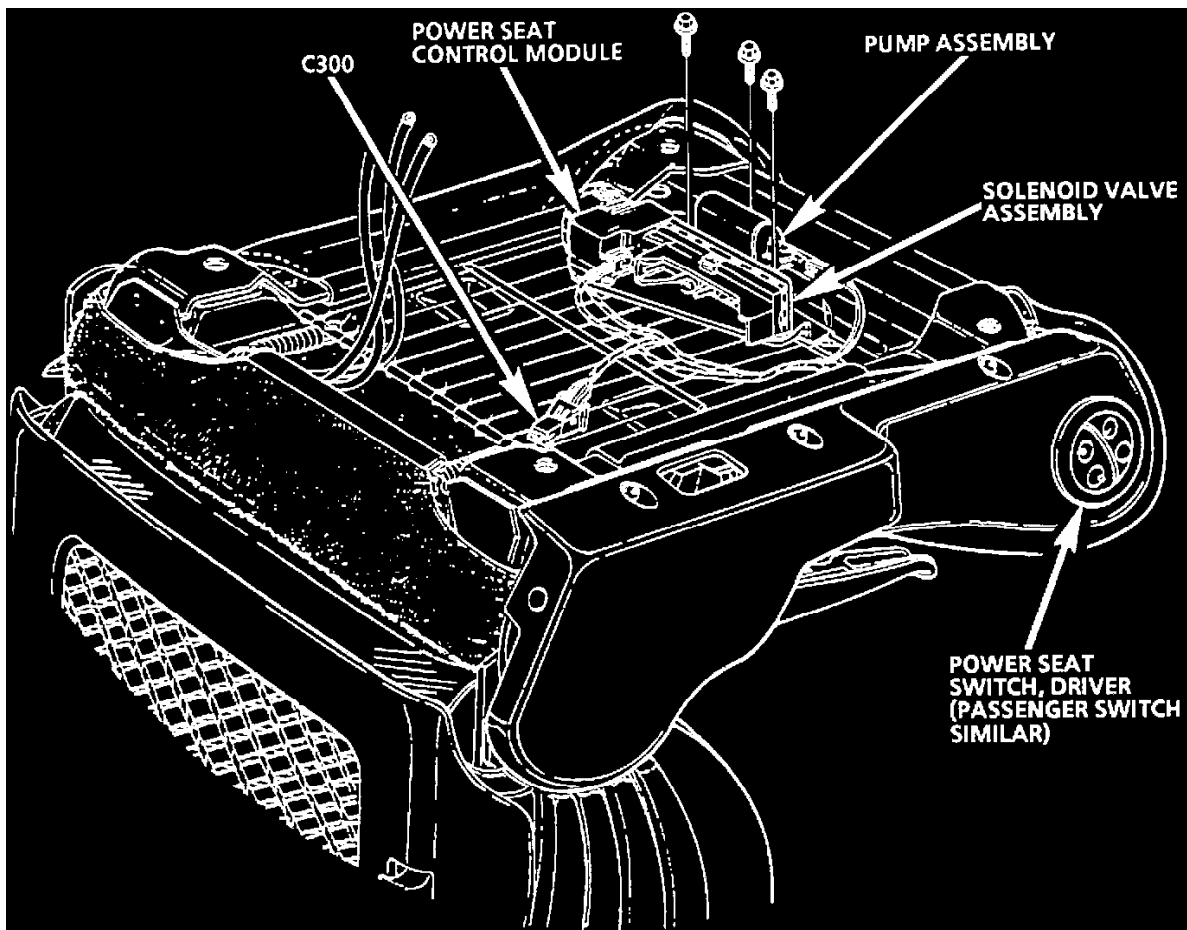
### Secondary Air Injection Pump Solenoid Bleed Valve

Front LH lower side of Engine, mounted just forward of Secondary Air Injection Pump Assembly

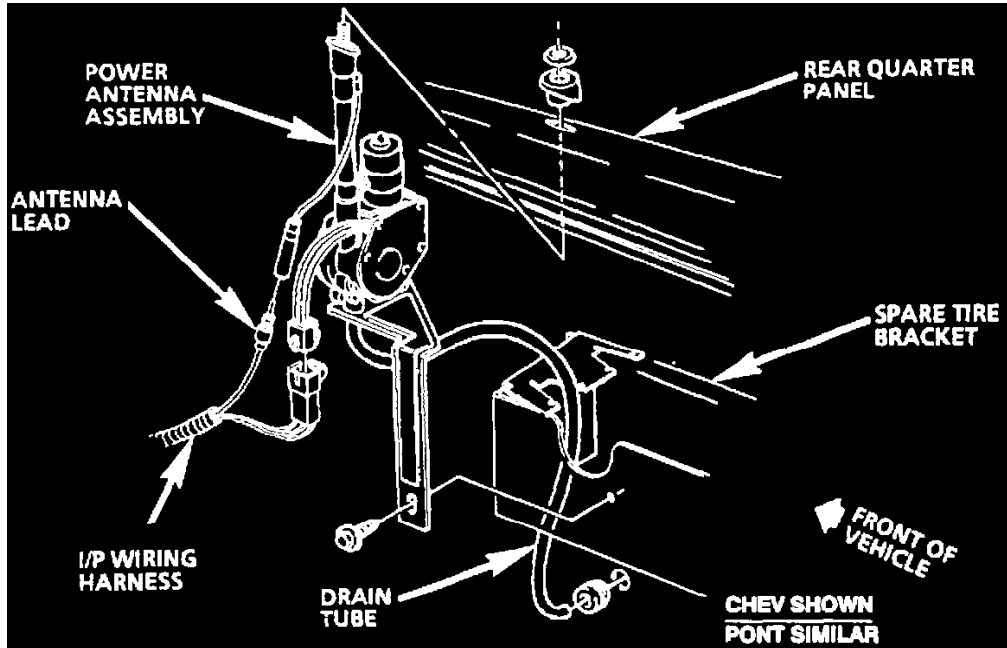




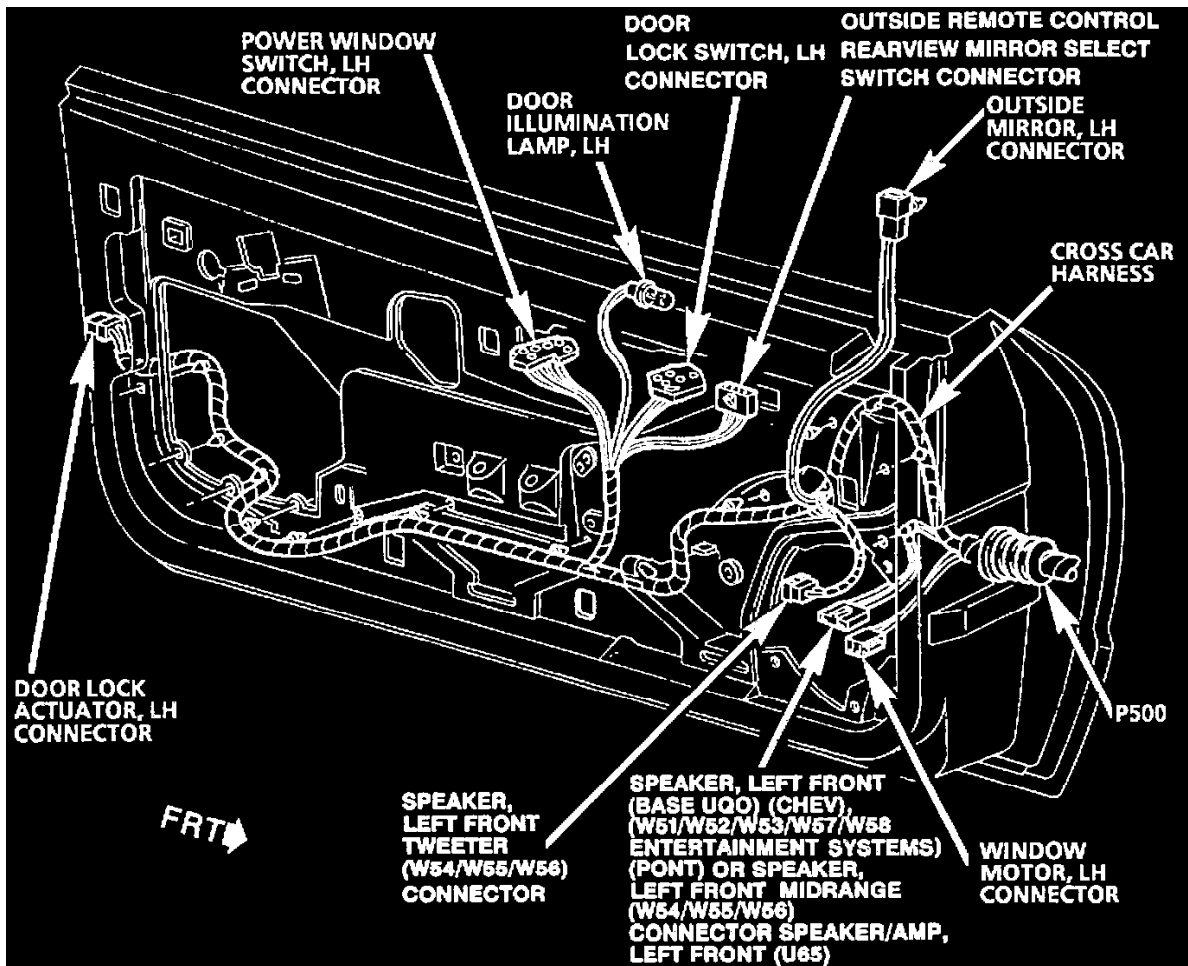
Under Passenger Seat (AQ9)



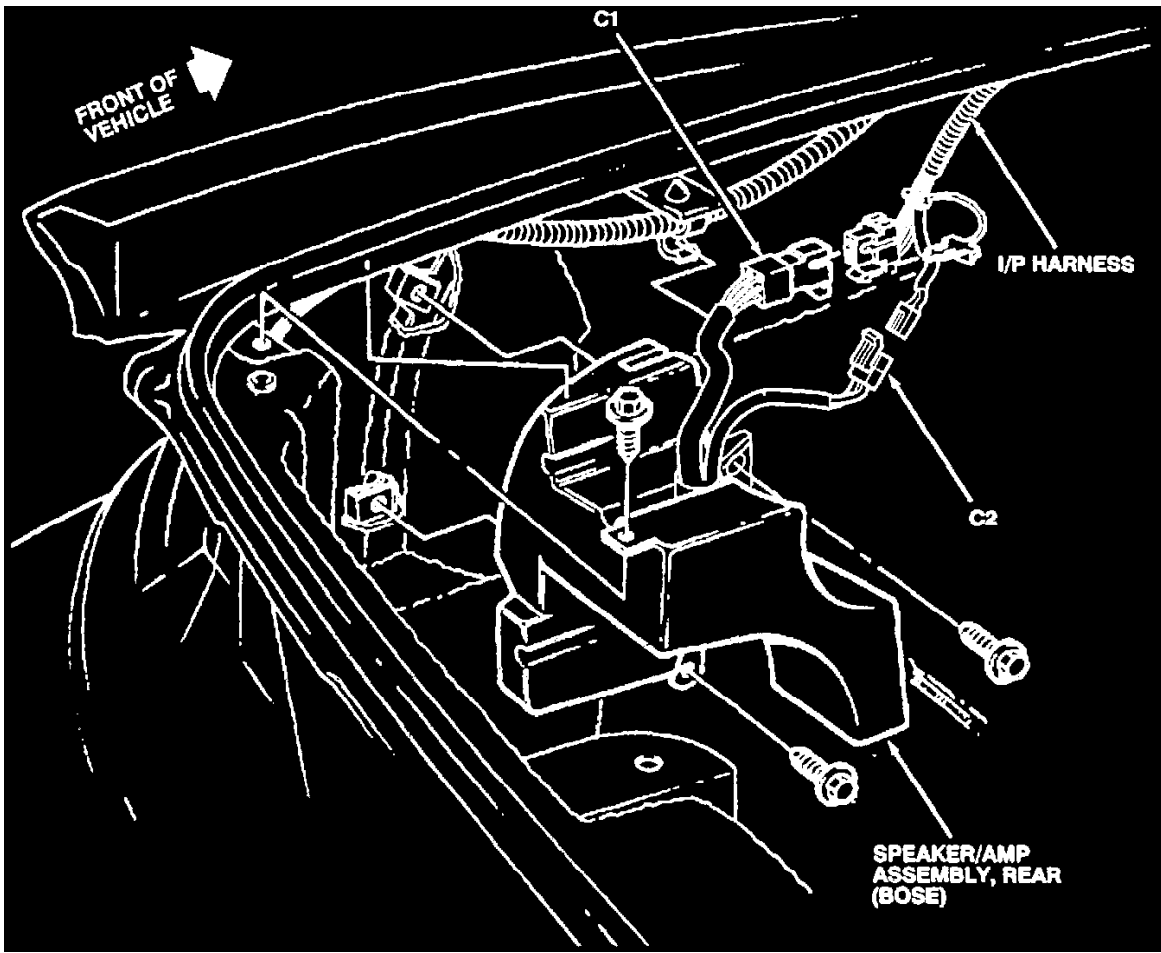
Under Driver's Seat (AQ9)



Behind Right Rear Interior Quarter Trim Panel

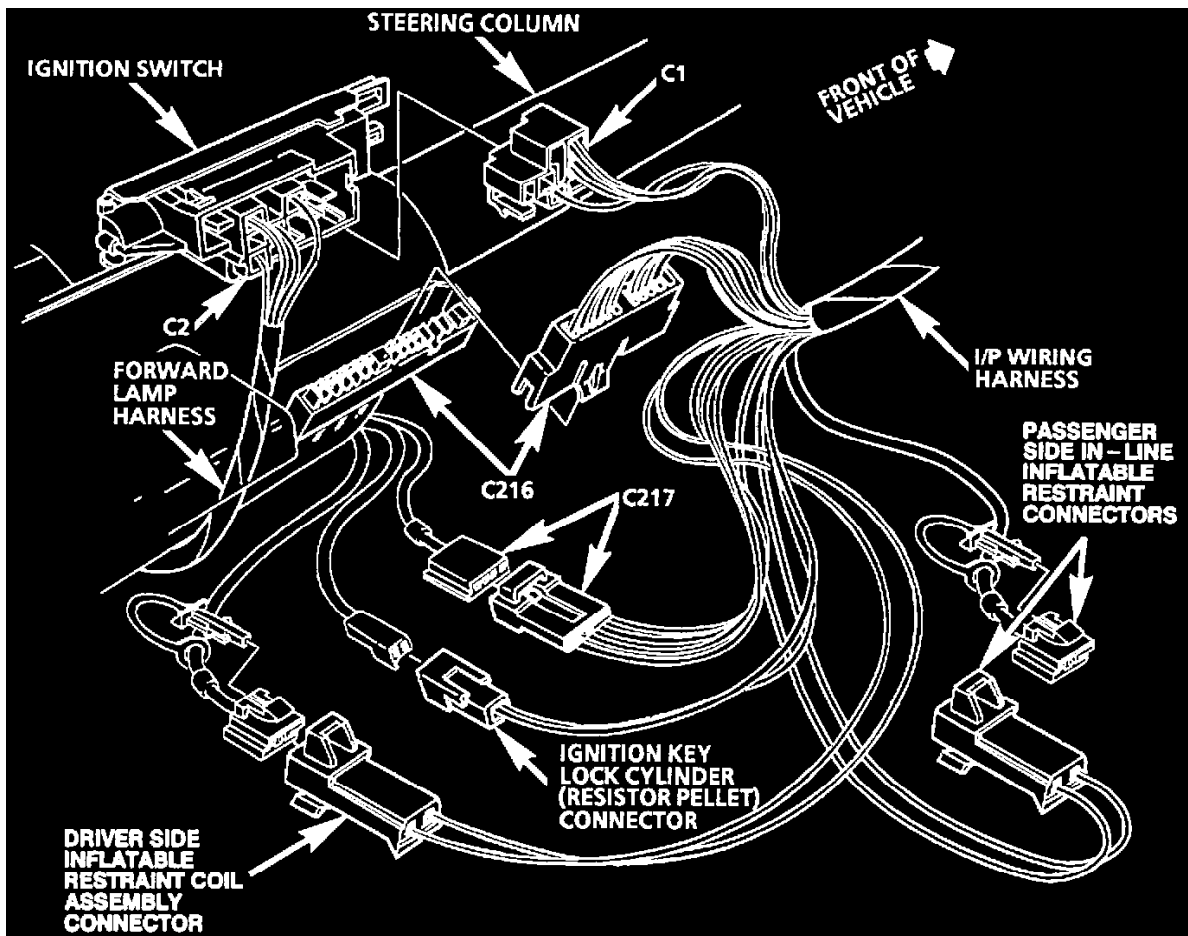


Behind LH Door Trim (RH Door Similar)

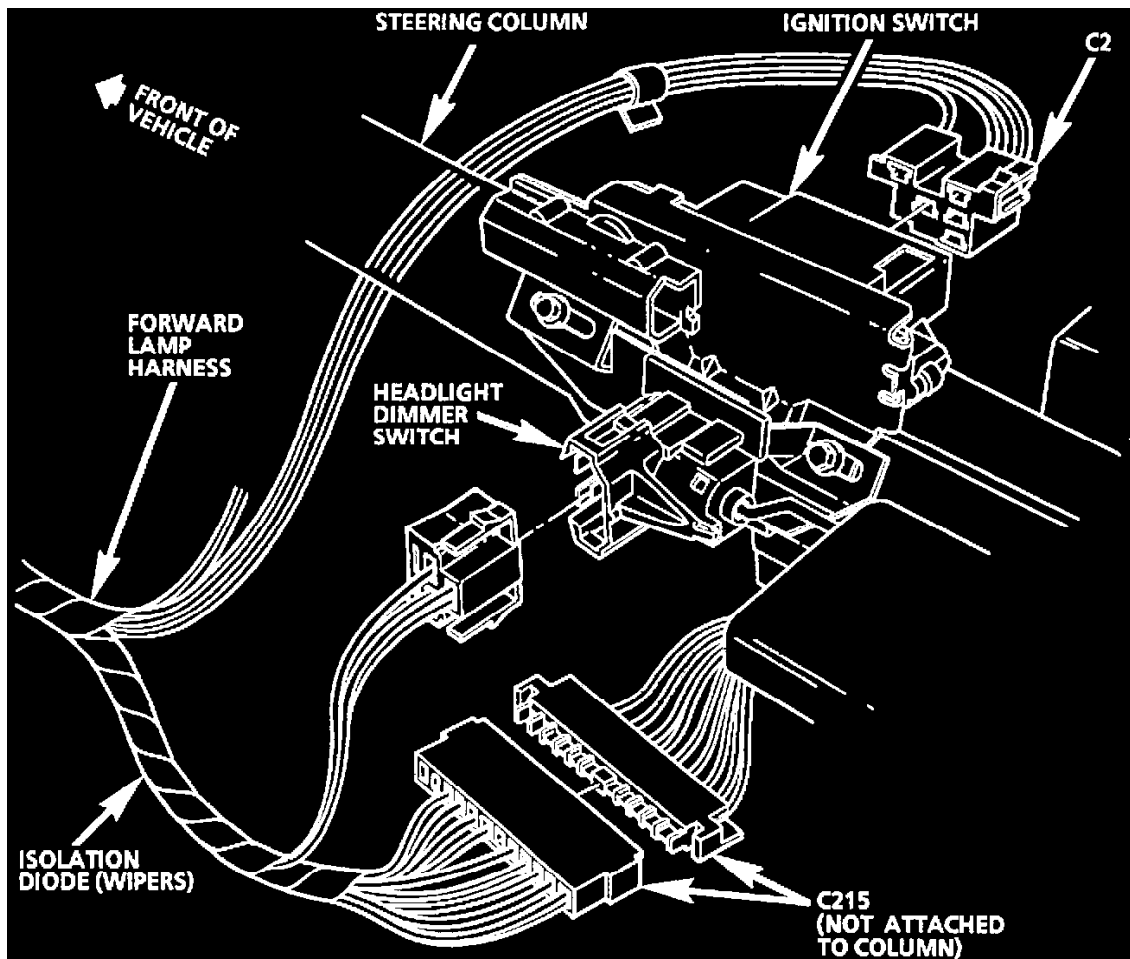


LH Rear Quarter Behind Trim Panel

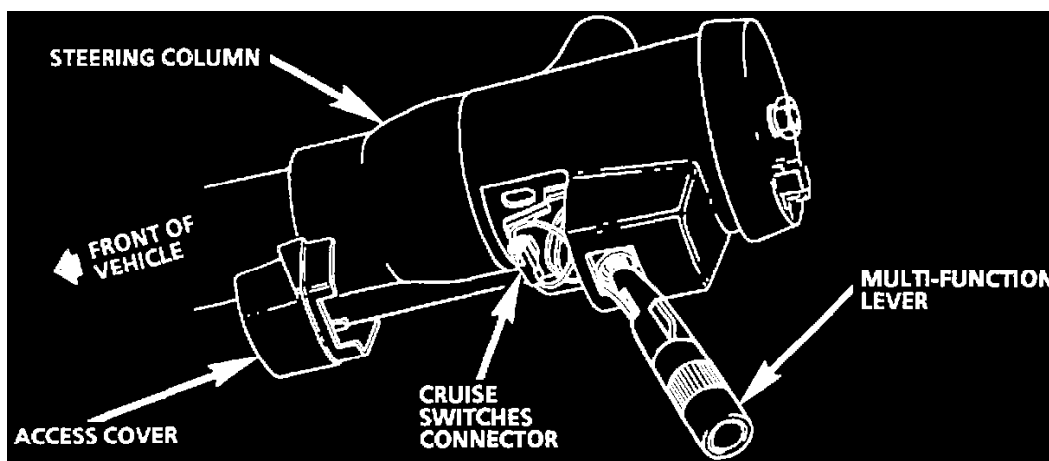
**Speaker/Amp, Right**  
Front (BOSE) Mounted in right door



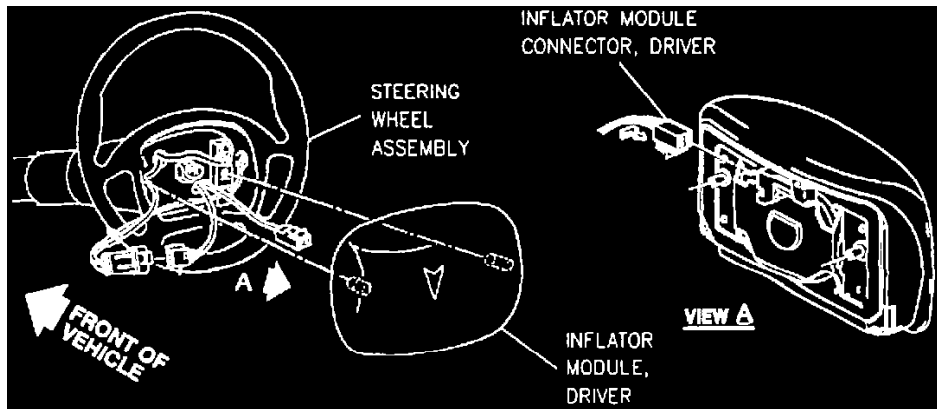
Bottom Of Steering Column



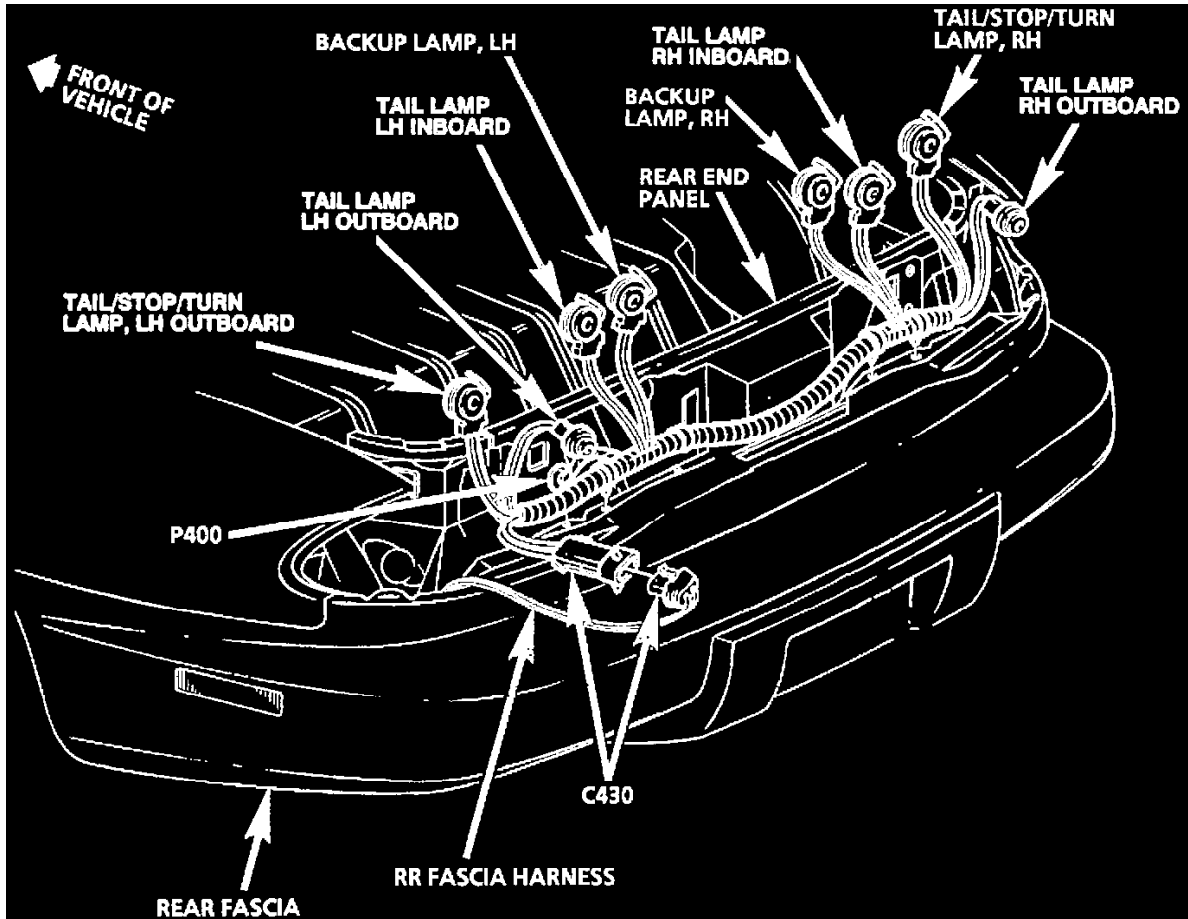
Bottom Of Steering Column



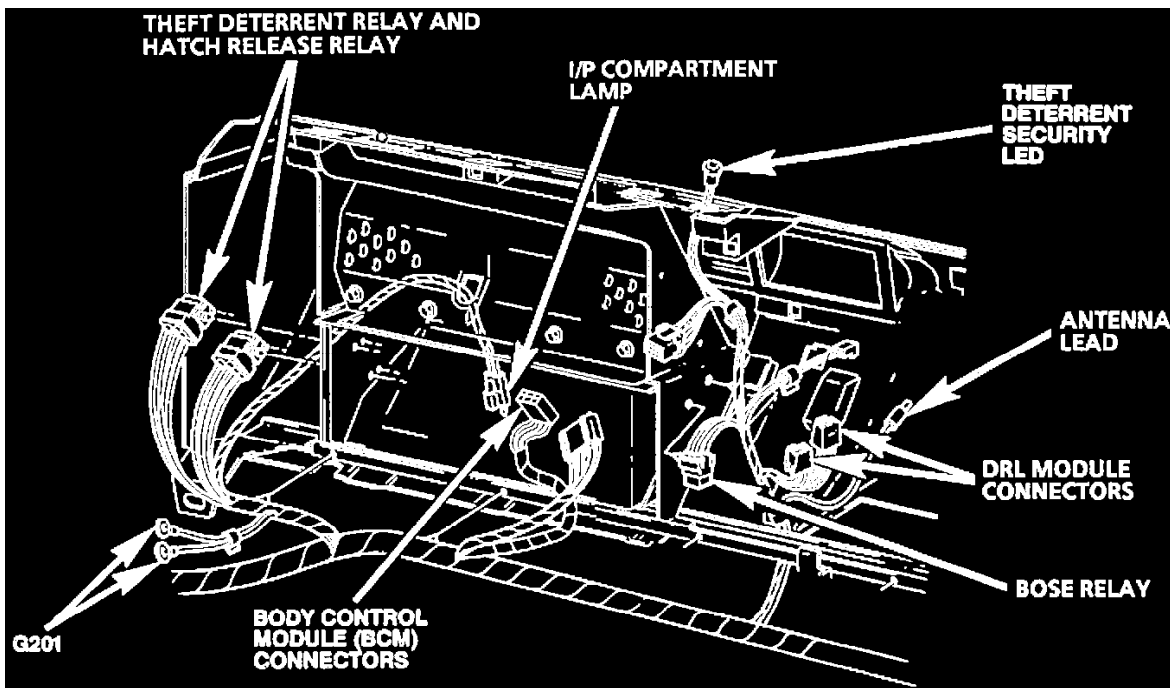
Steering Column



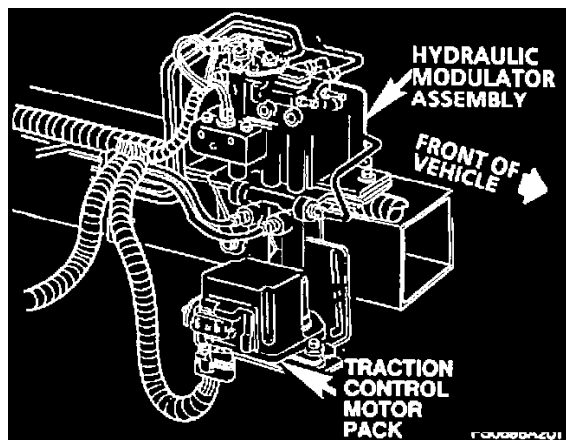
Steering Wheel Controls



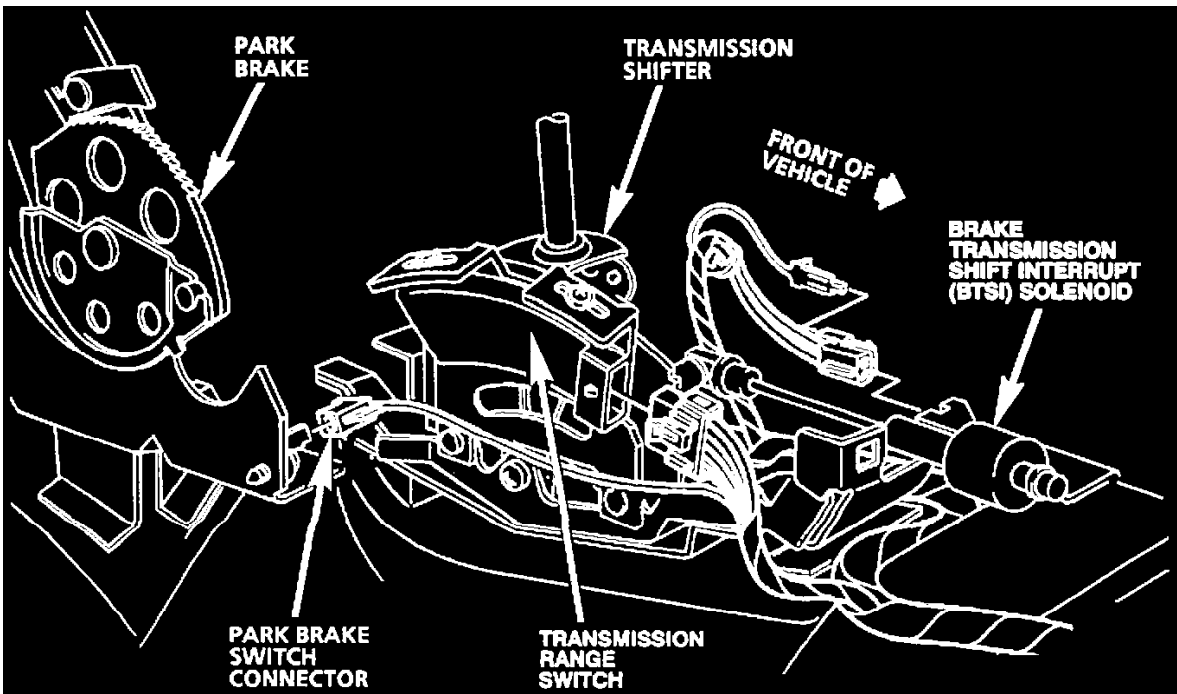
Rear Of Vehicle (Chevy, Pont Similar)



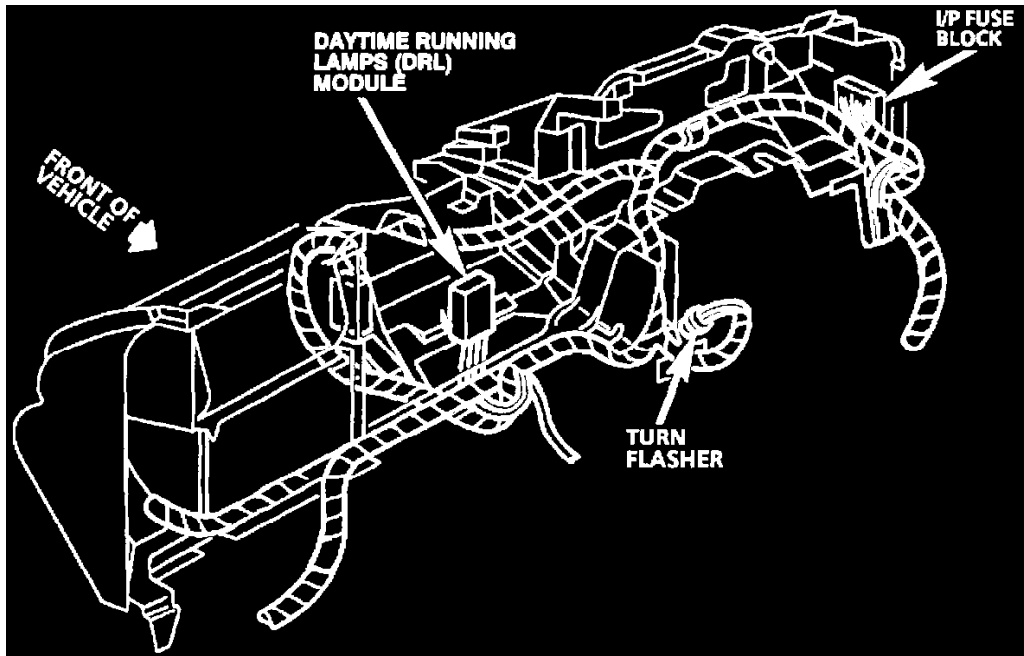
Behind RH Side Of I/P



Inside Left Front Frame Rail

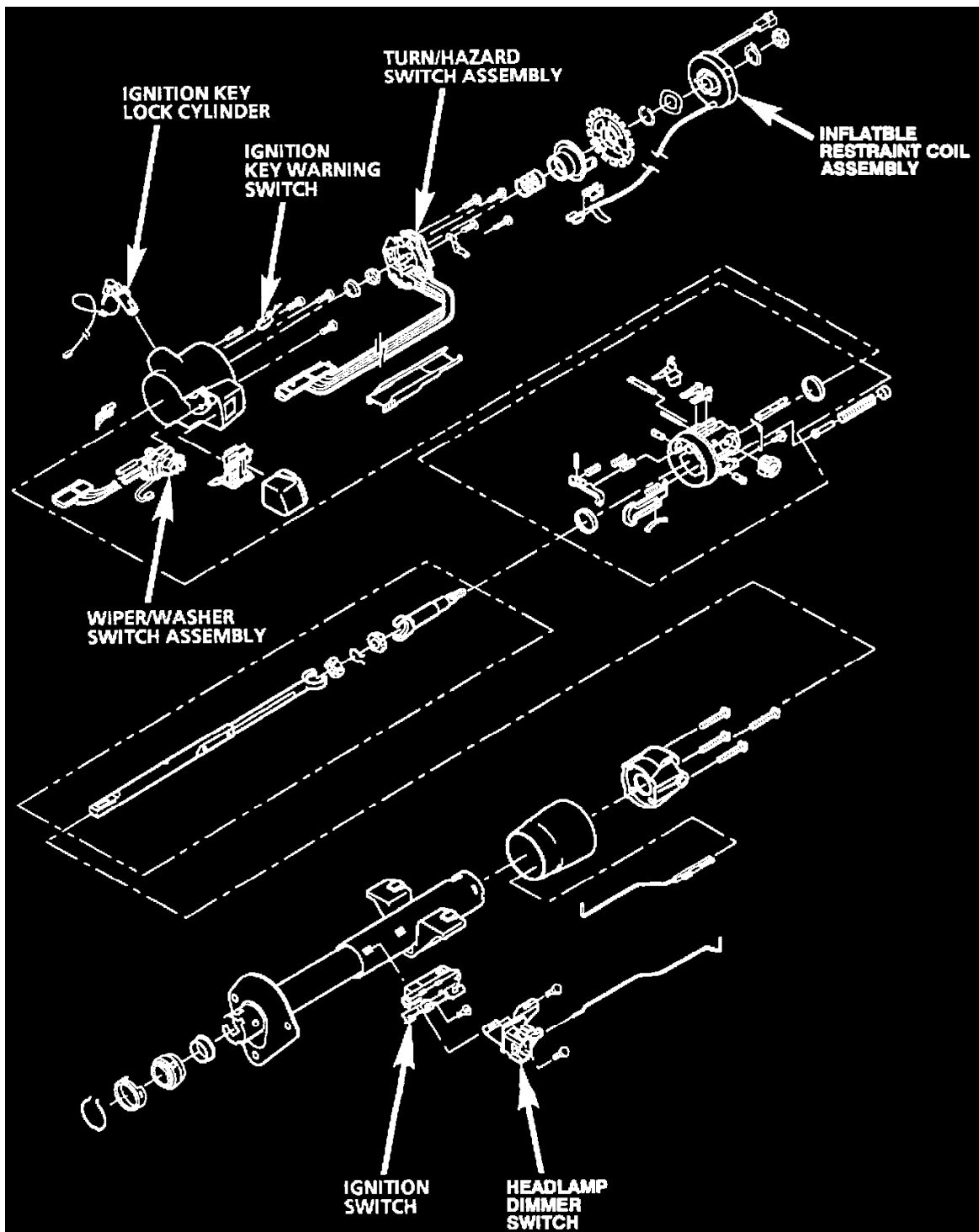


Rear Side Under Console - Automatic (M30)

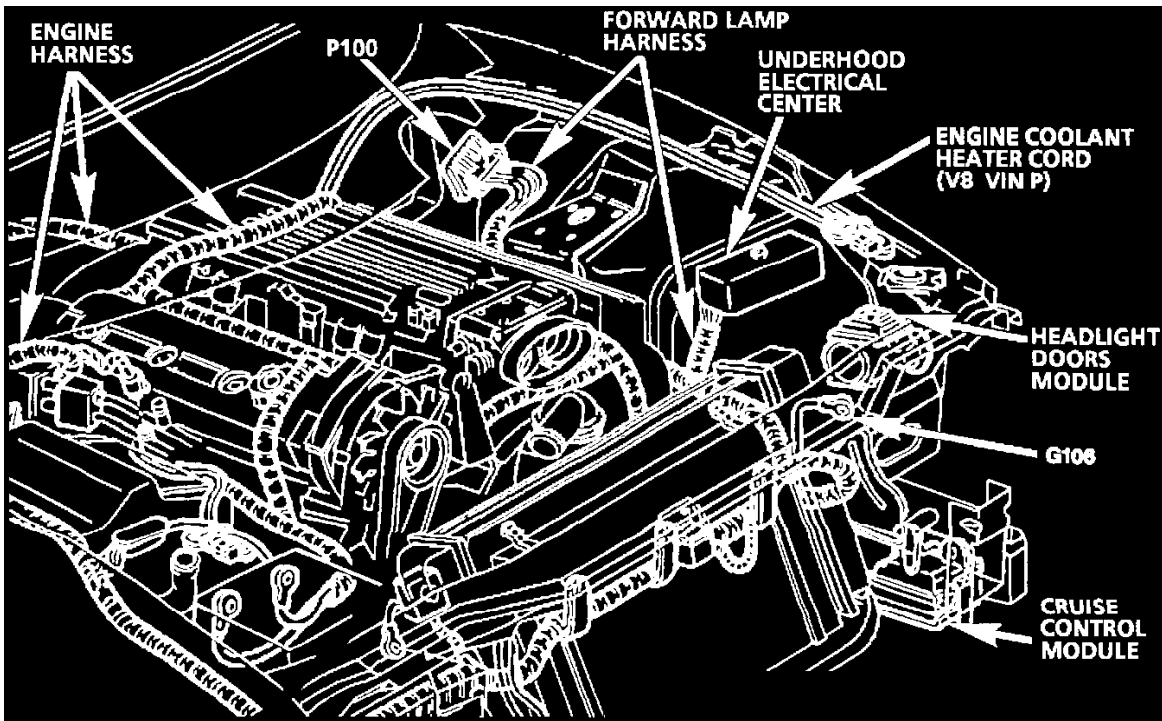


Rear View Of I/P Carrier

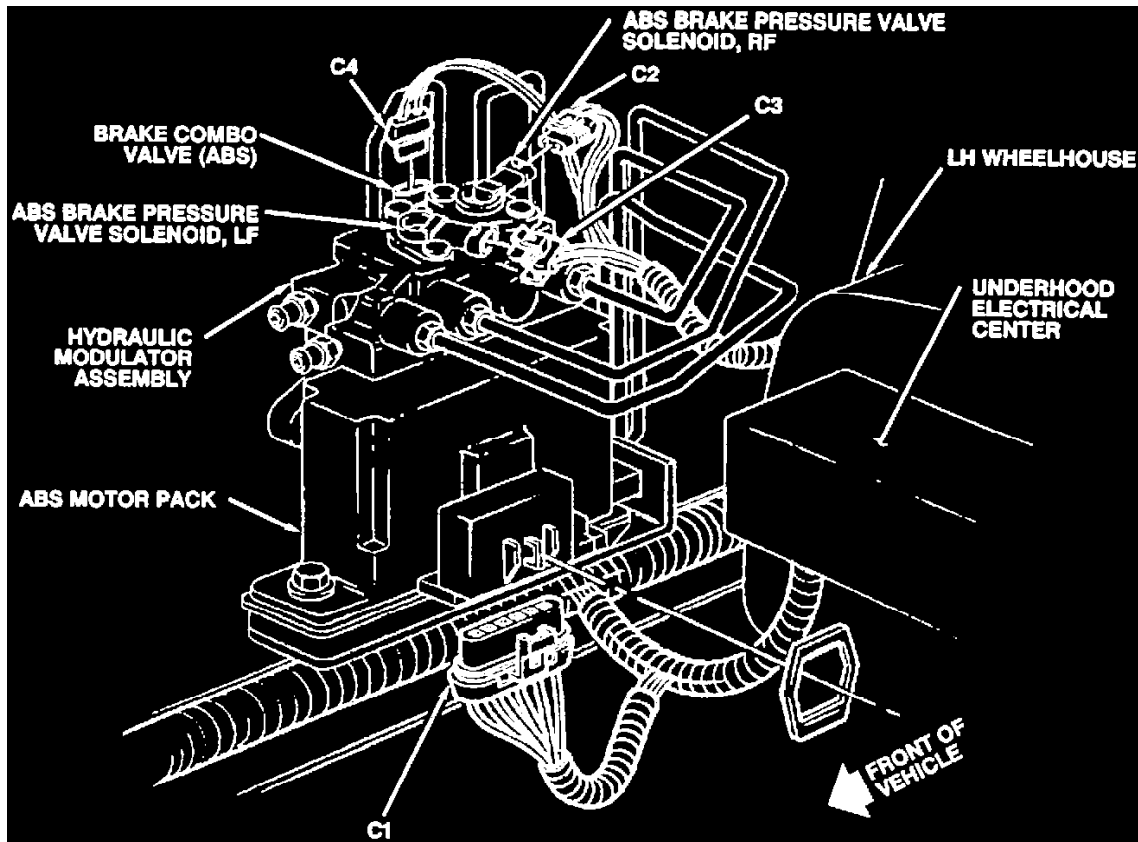




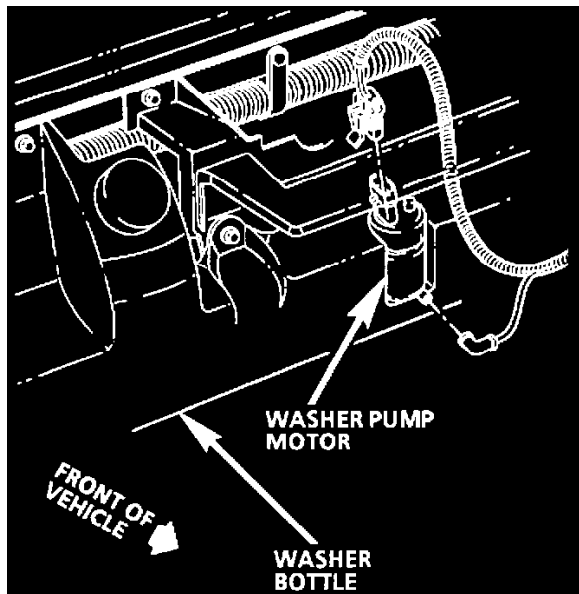
Steering Column Internals



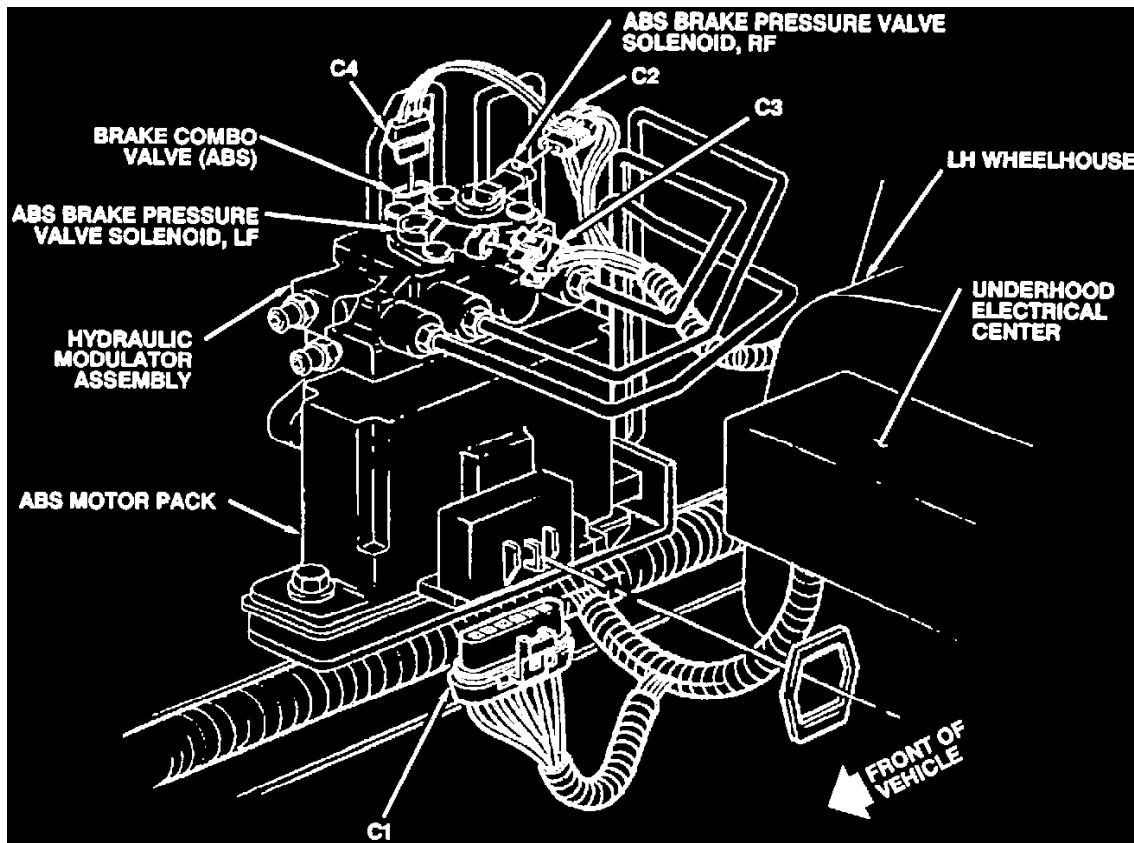
Engine Compartment



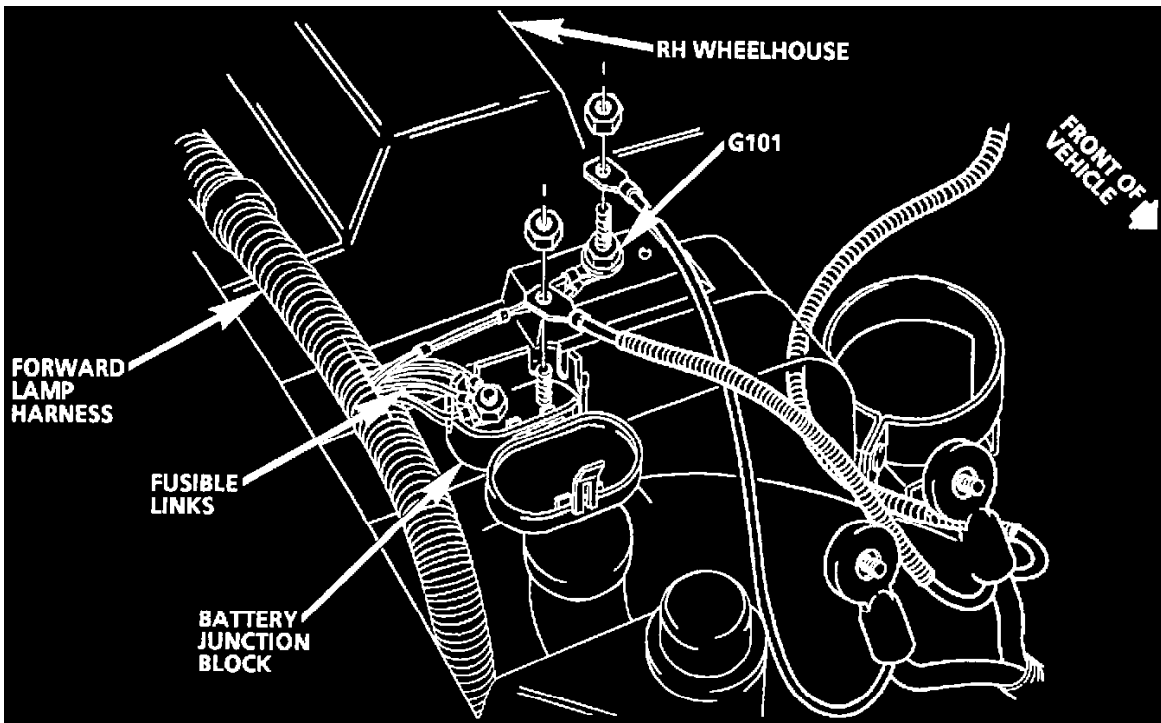
Front LH Side Of Engine Compartment



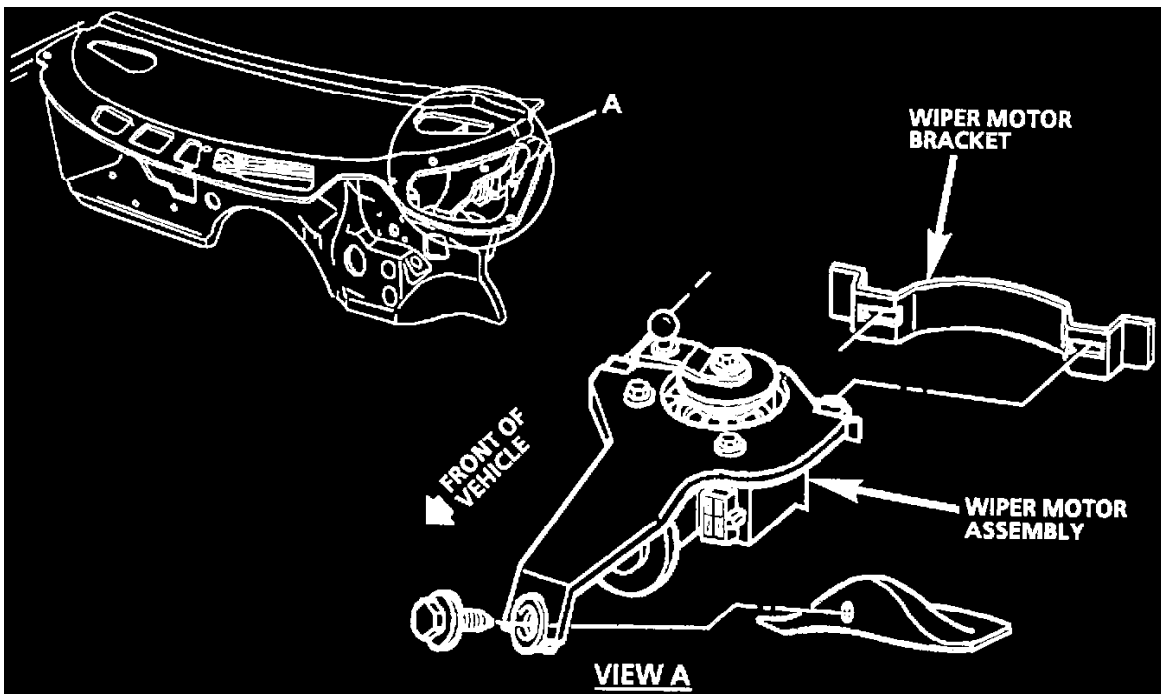
Front Of Vehicle, Forward Of Tie Bar



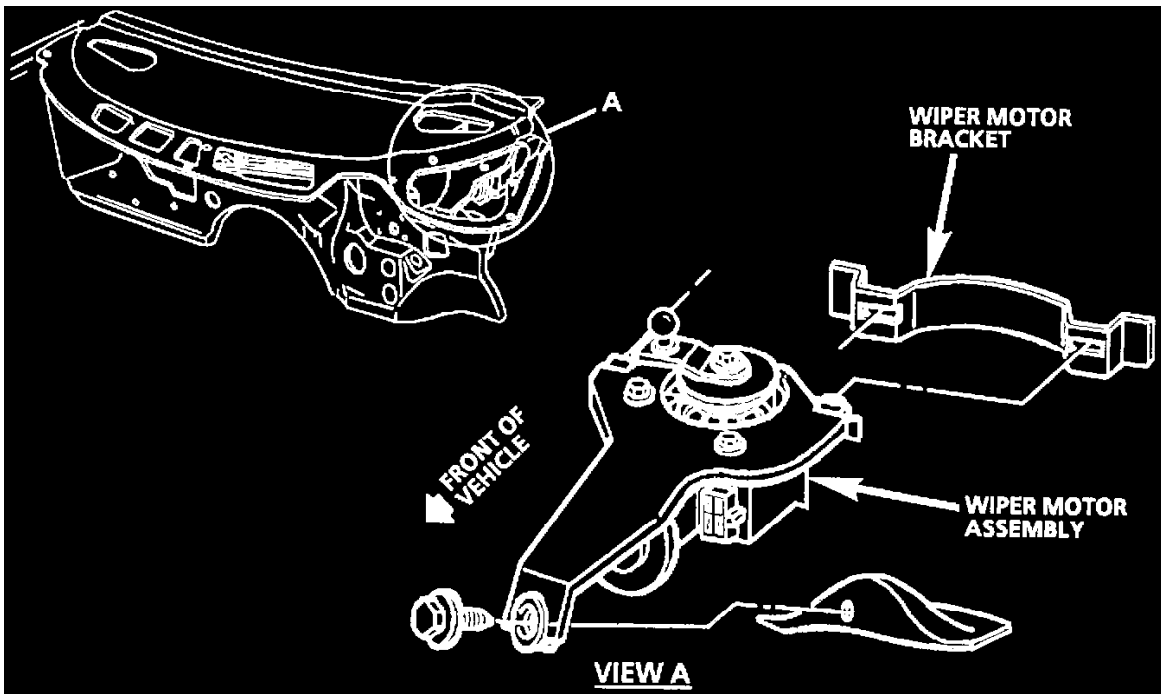
Front LH Side Of Engine Compartment



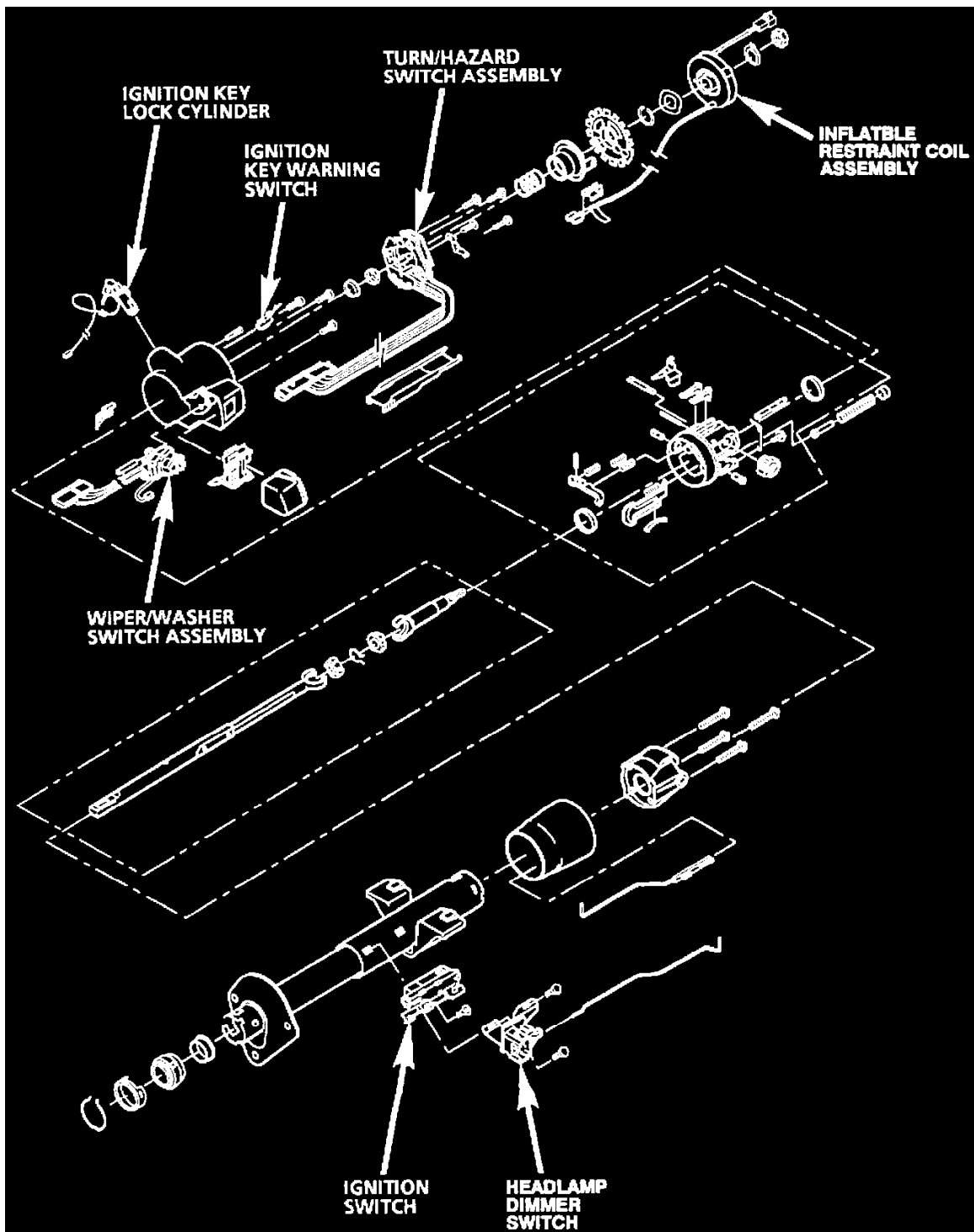
RH Wheel House



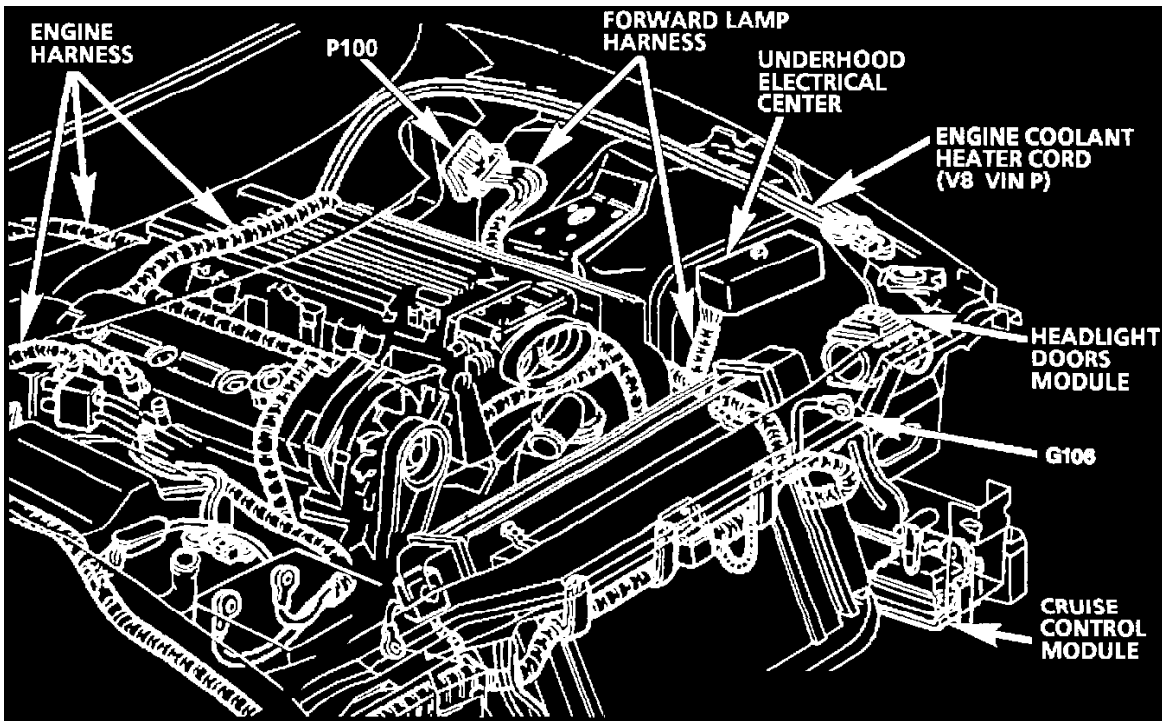
Inside LH Side Of Cowl



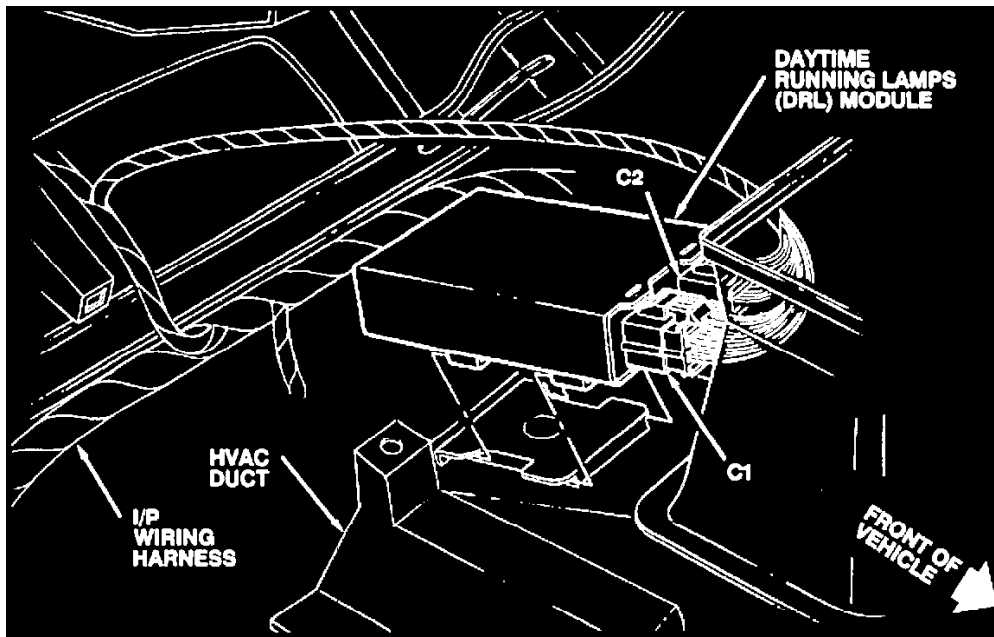
Inside LH Side Of Cowl



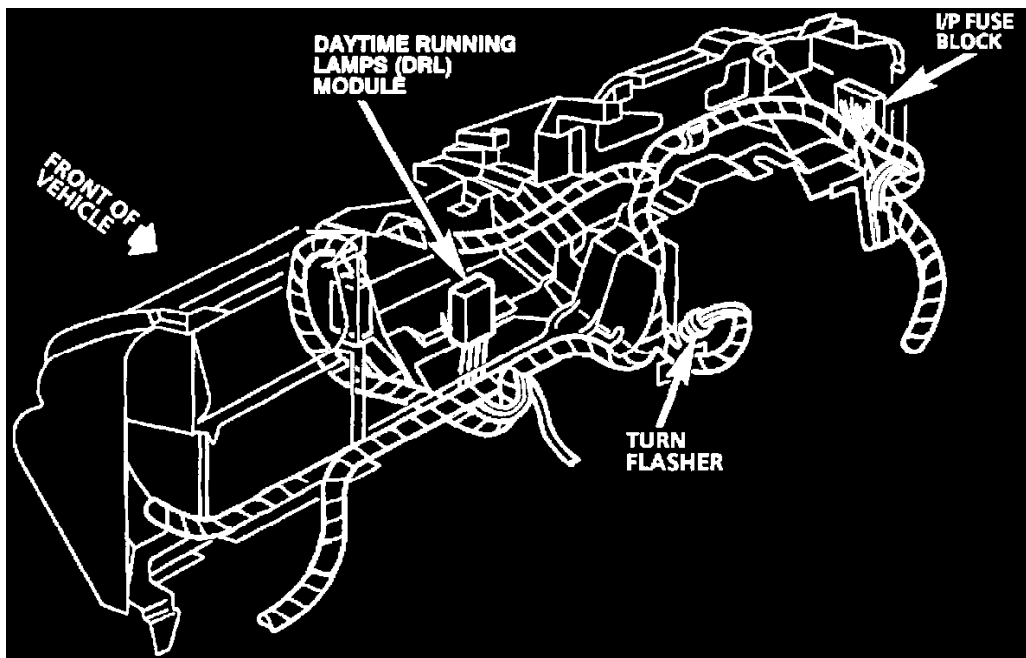
Steering Column Internals



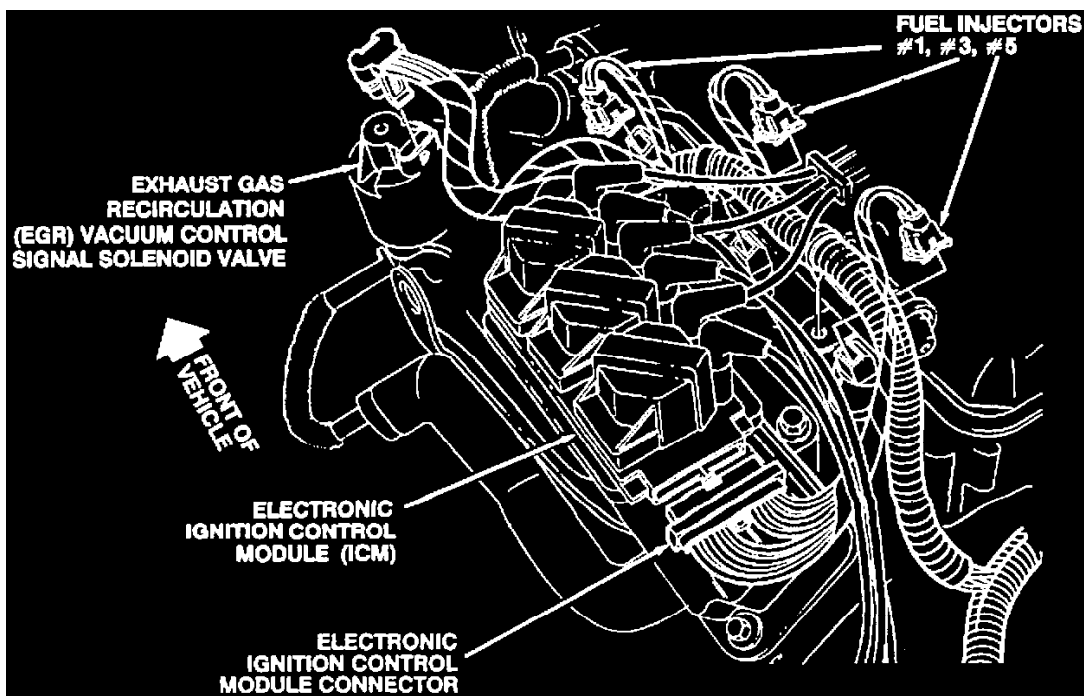
Engine Compartment



Under Center Of I/P

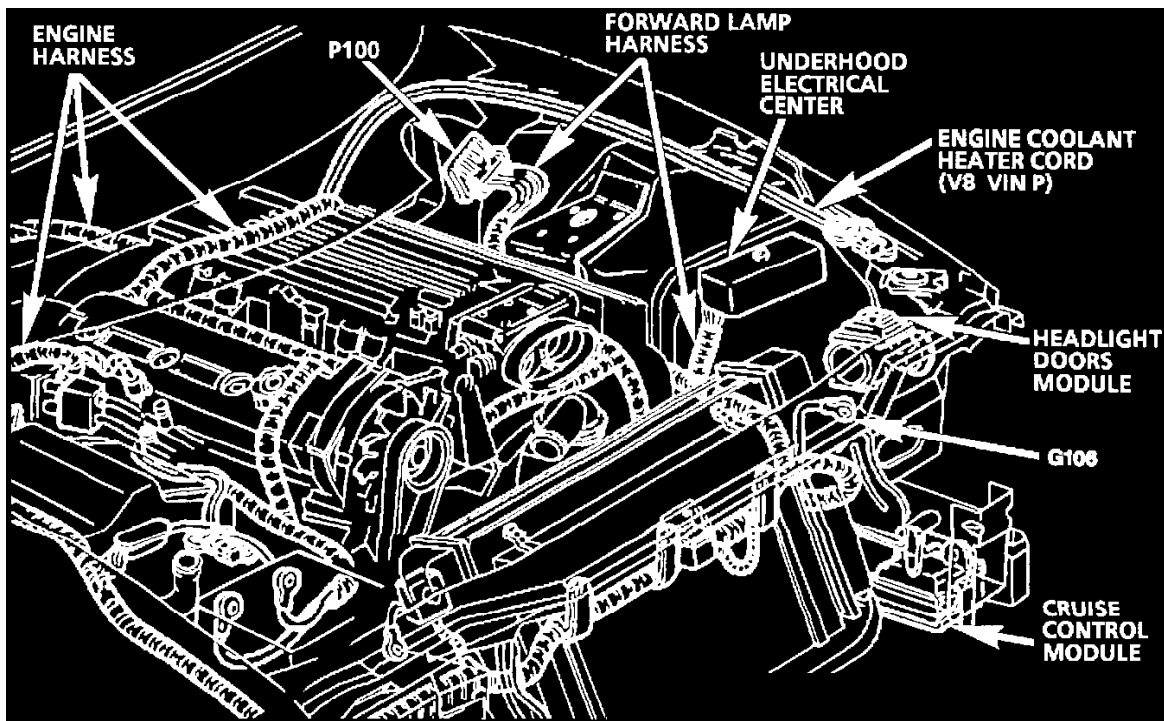


Rear View Of I/P Carrier

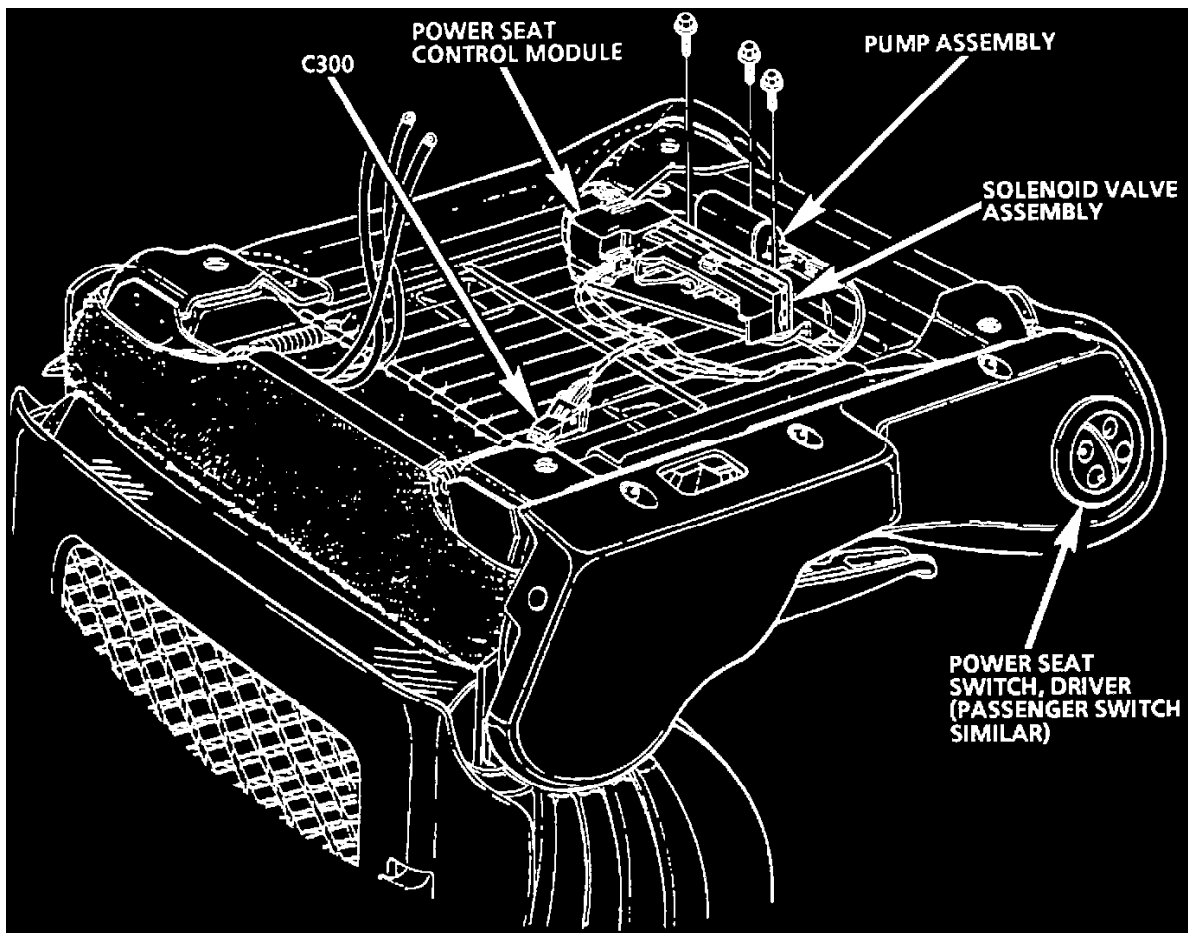


Upper LH Side Of Engine

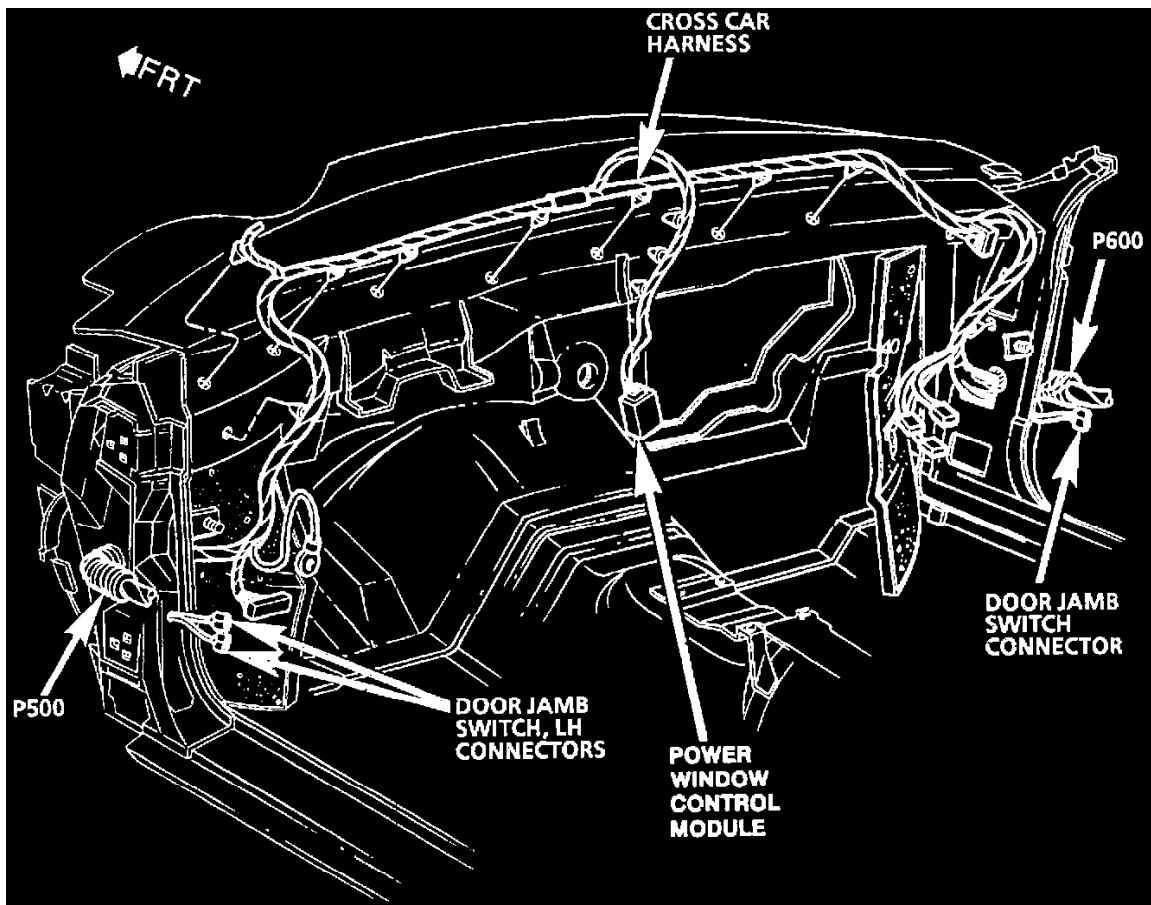




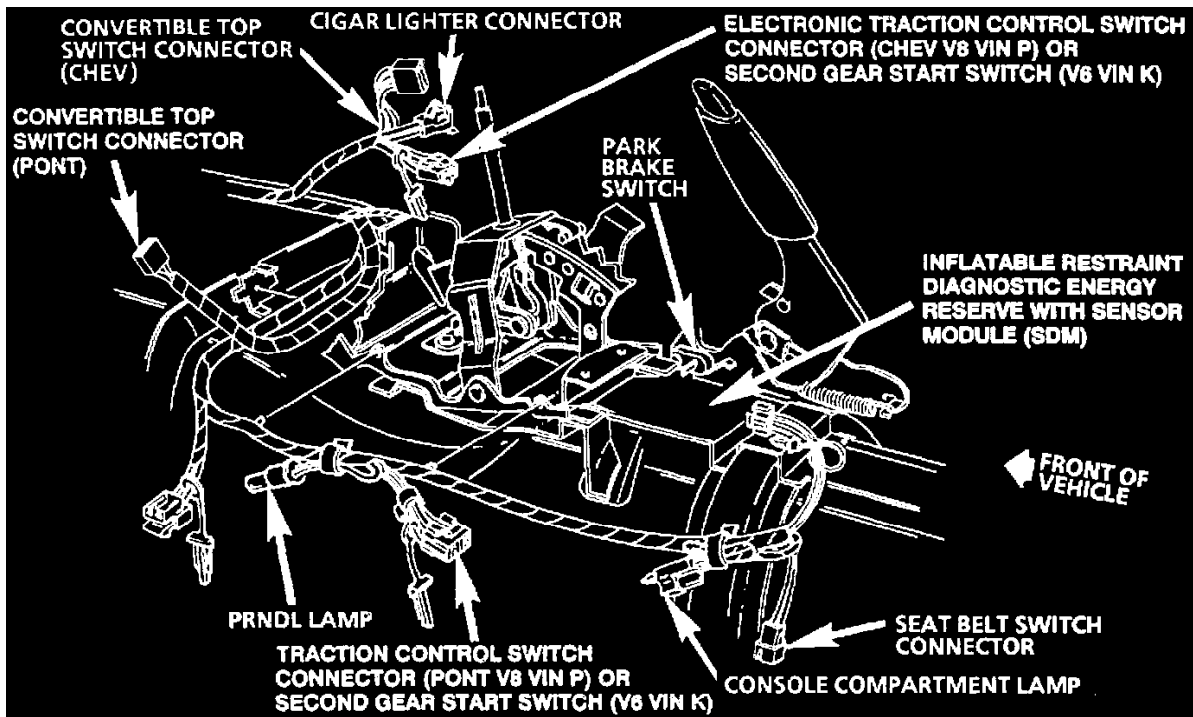
Engine Compartment



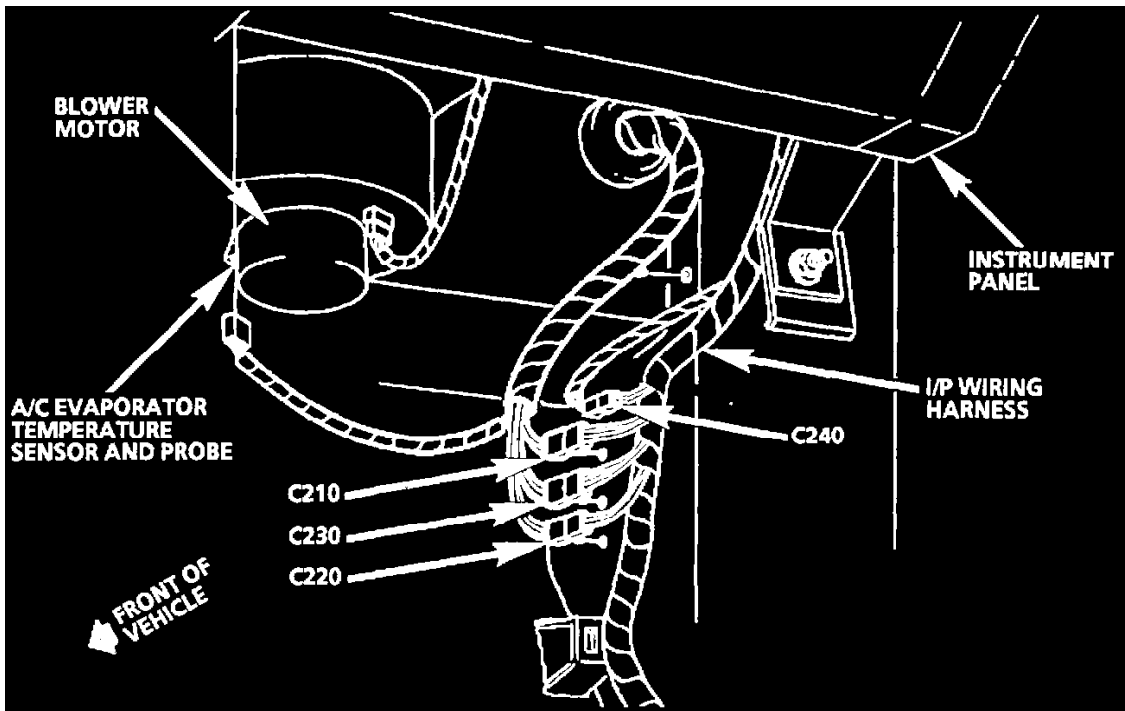
Under Driver's Seat (AQ9)



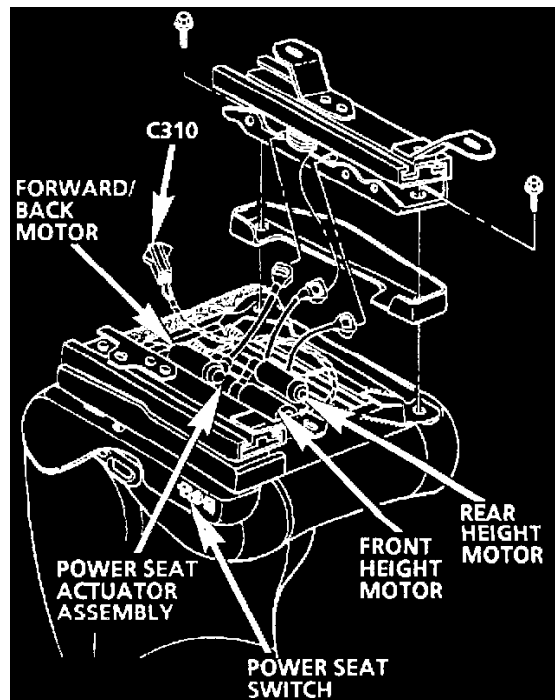
Dash Panel With Cross Car Harness



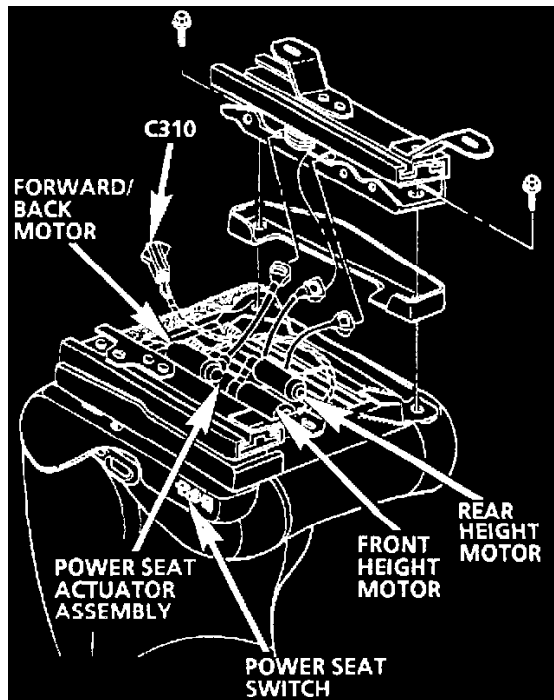
LH Side, Under Console - Automatic (M30)



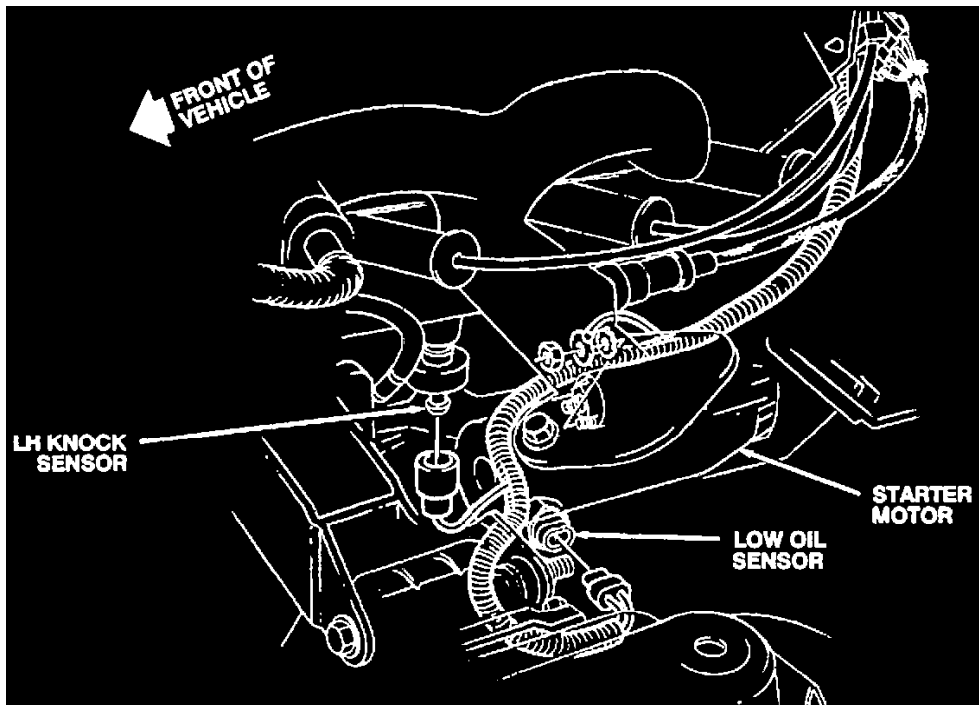
Behind Lower RH Side Of I/P



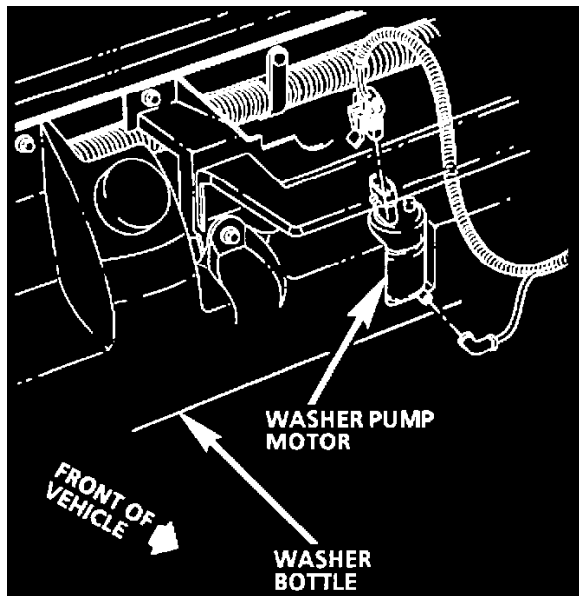
Bottom Of Driver Seat (AG1)



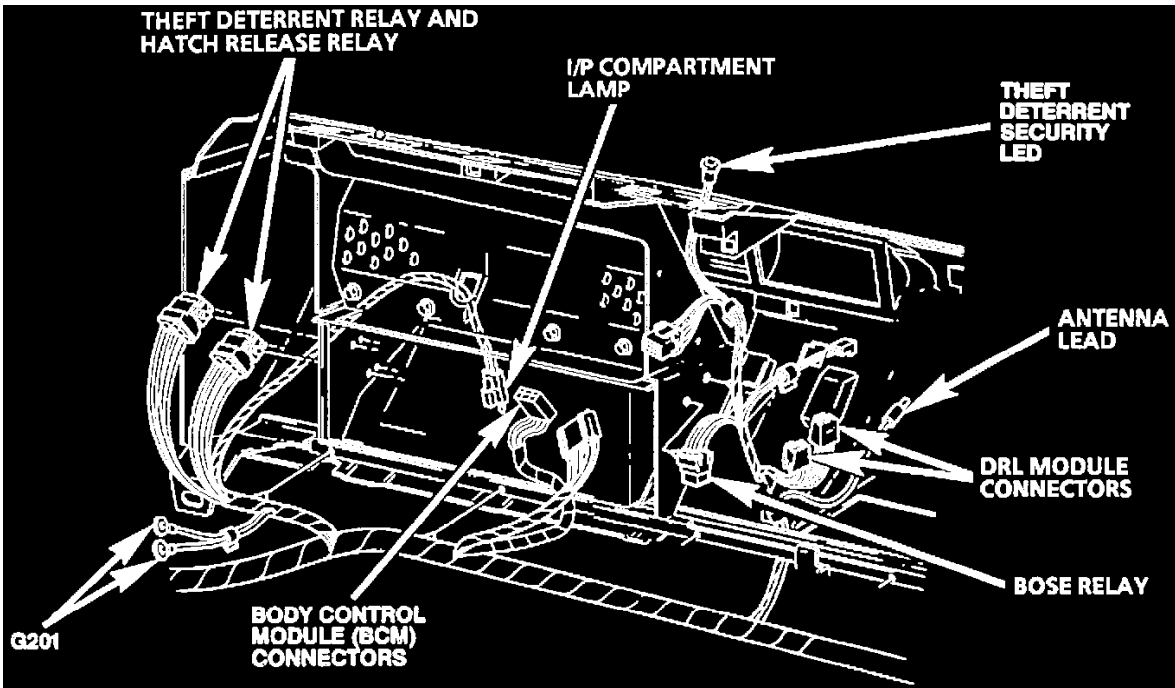
Bottom Of Driver Seat (AG1)



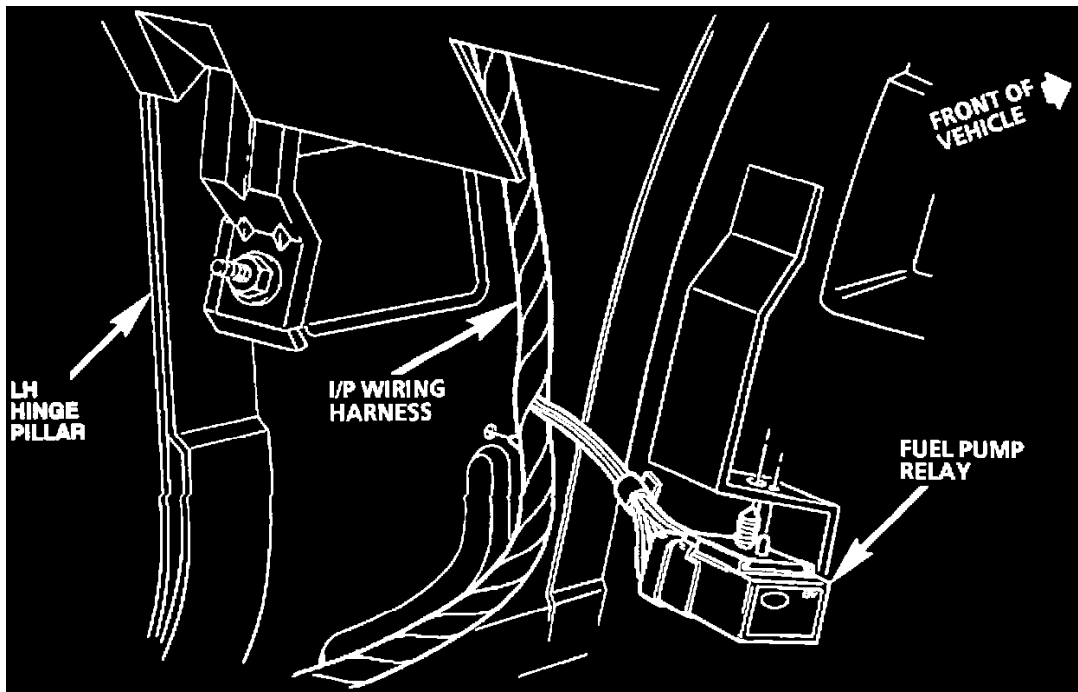
Lower LH Of Engine



Front Of Vehicle, Forward Of Tie Bar



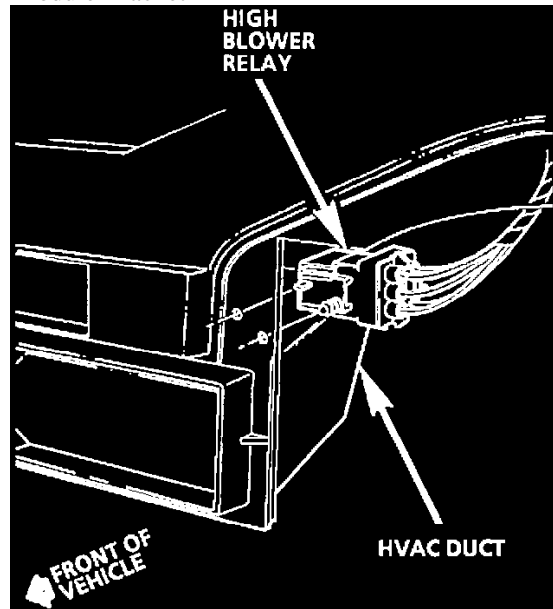
Behind RH Side Of I/P



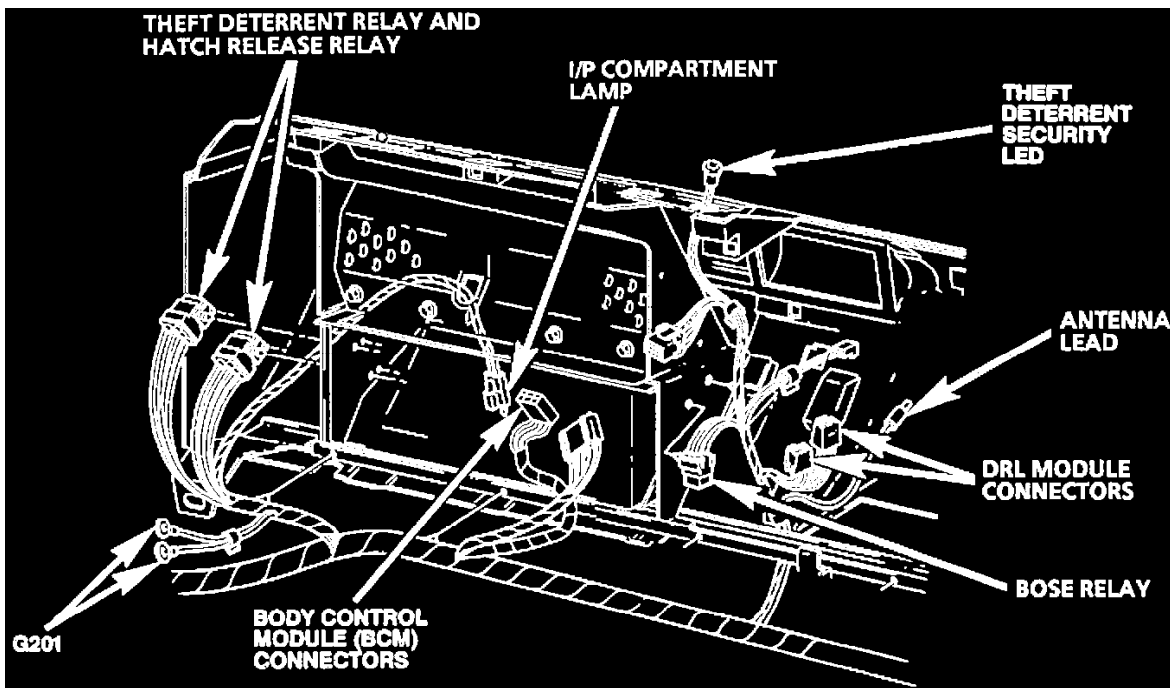
Behind LH Dash Mat

### Park Lamp Relay

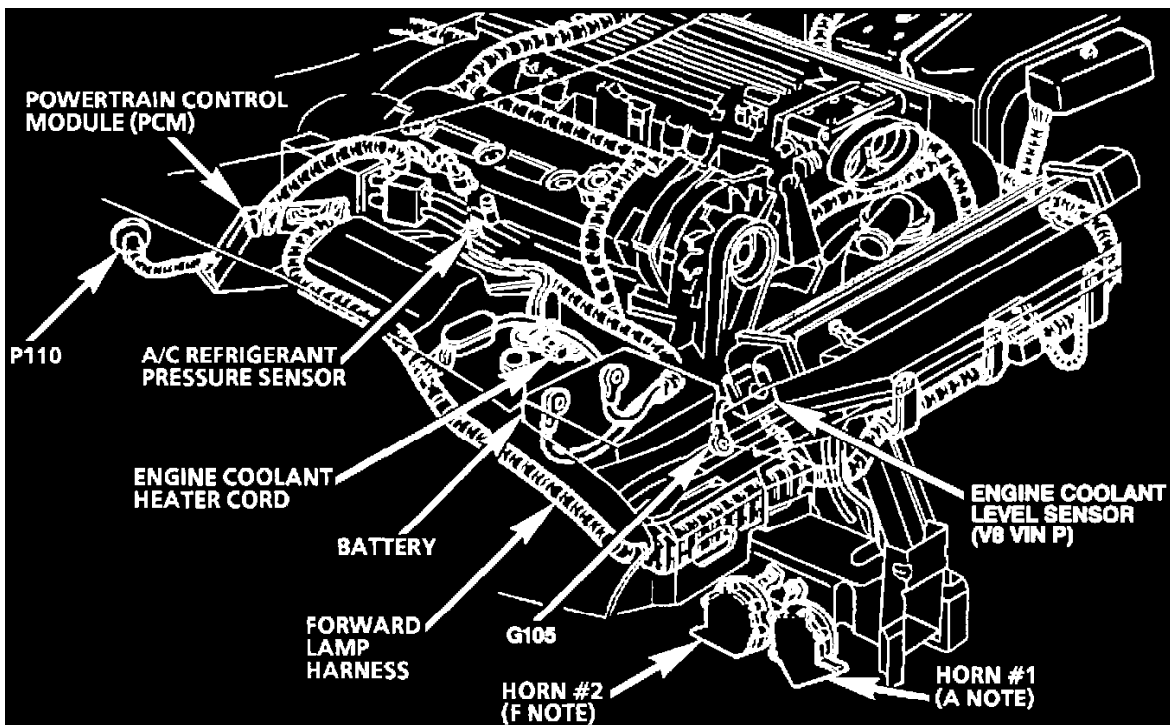
Under center of I/P, attached to Passenger Inflator Module Bracket



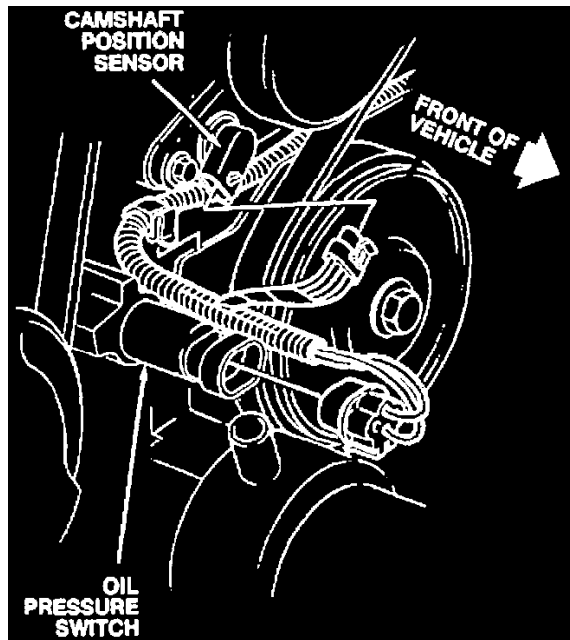
Above Left Side Of Floor Tunnel



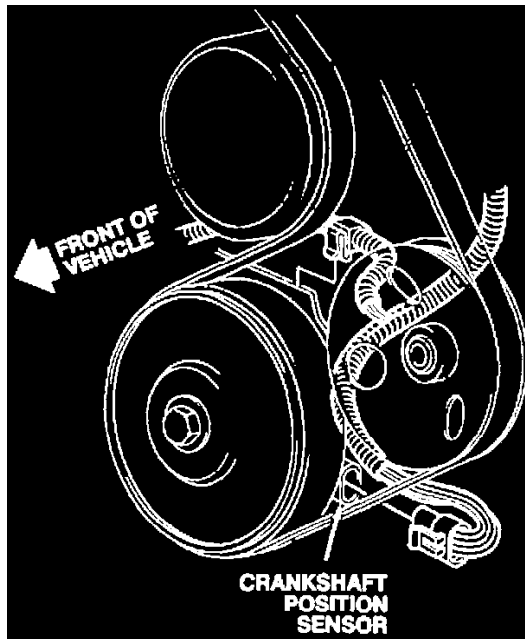
Behind RH Side Of I/P



Engine Compartment

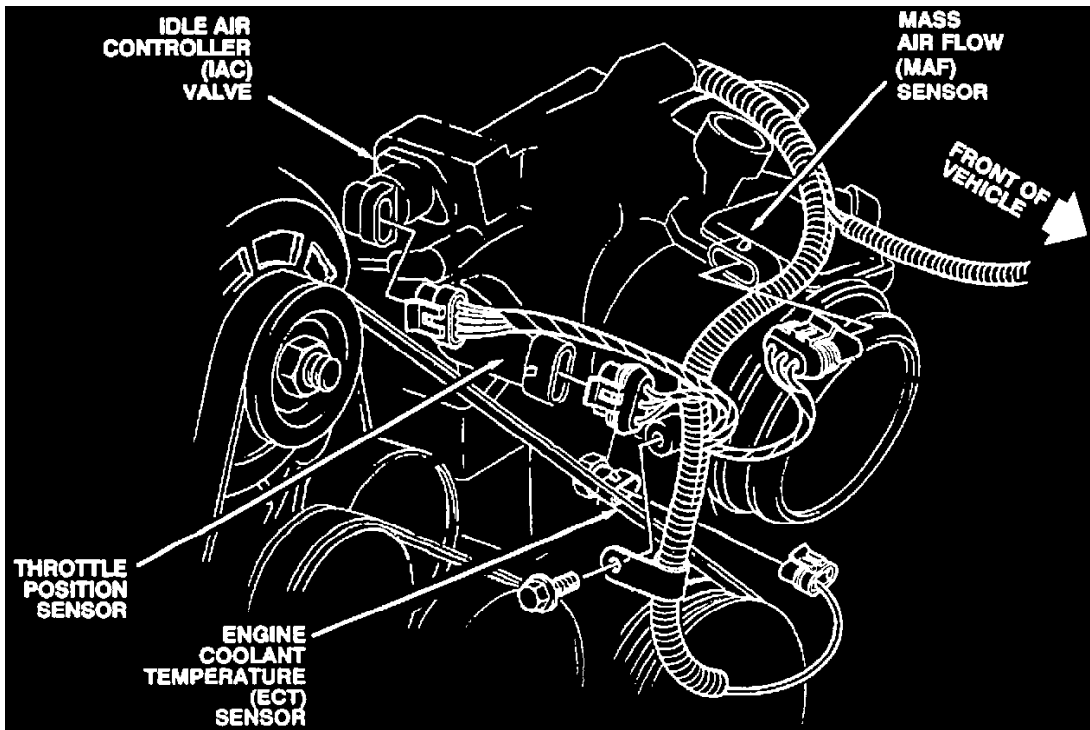


Front Of Engine

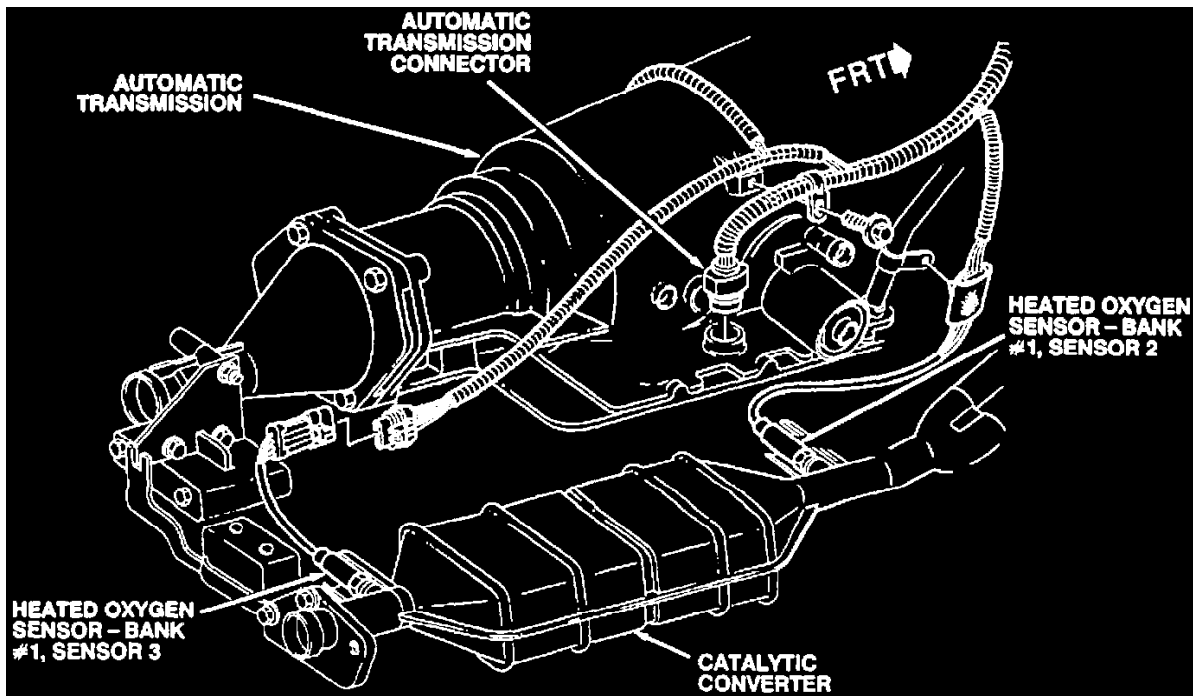


Front Of Engine

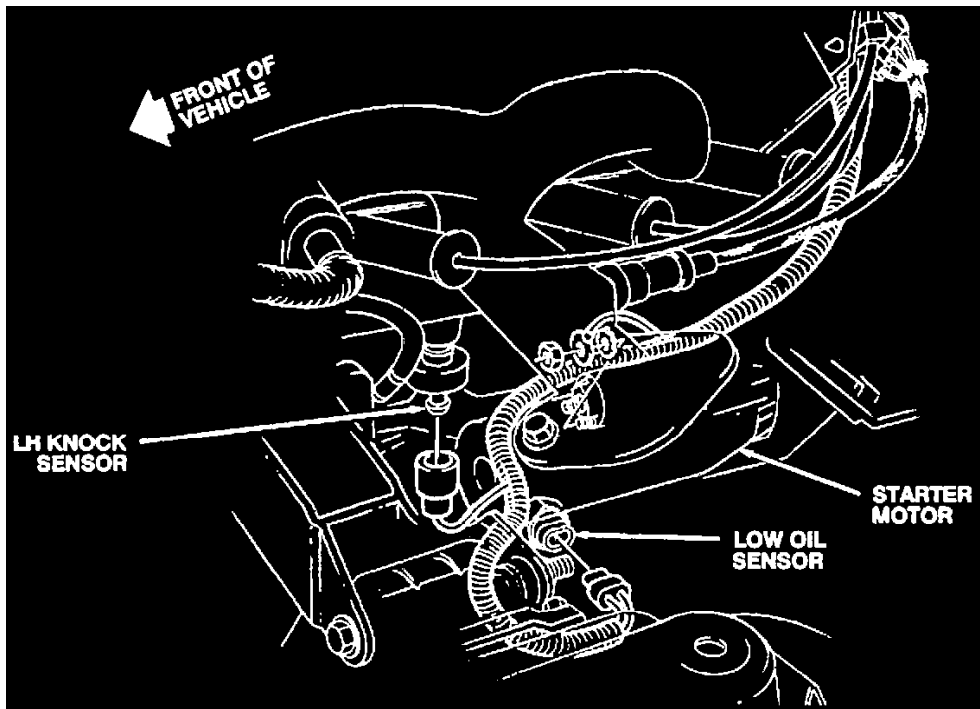




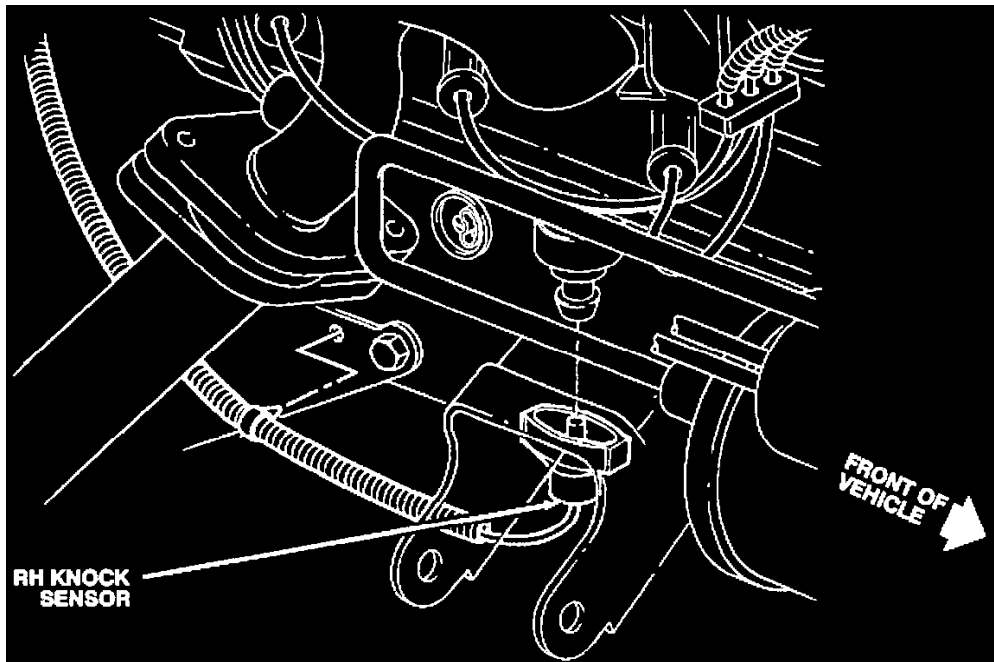
Top Front Of Intake Manifold



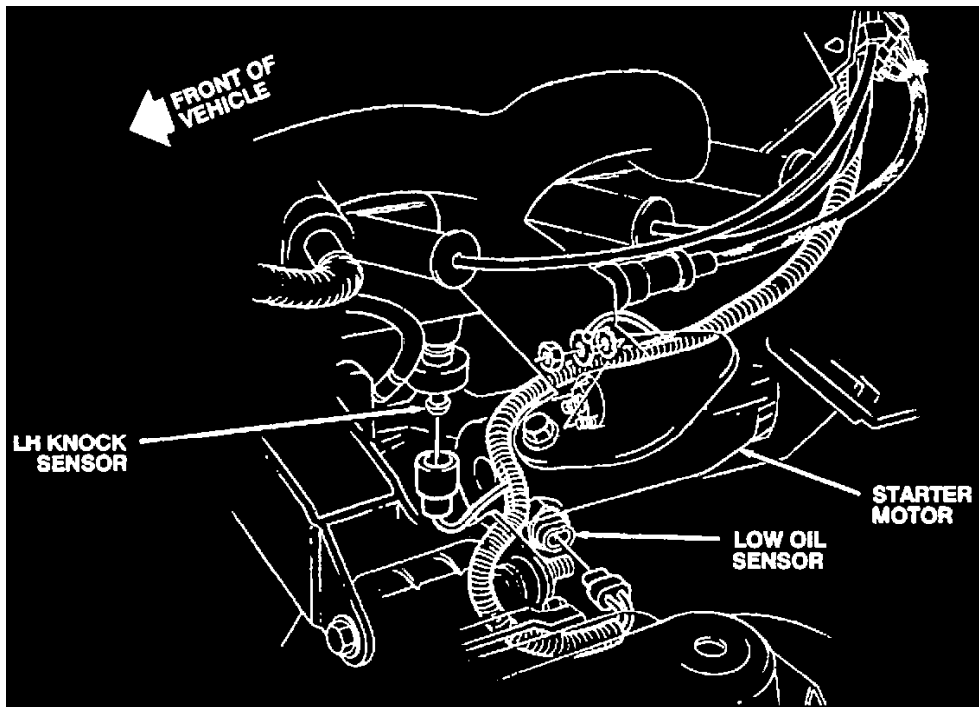
RH Side Of Automatic Transmission



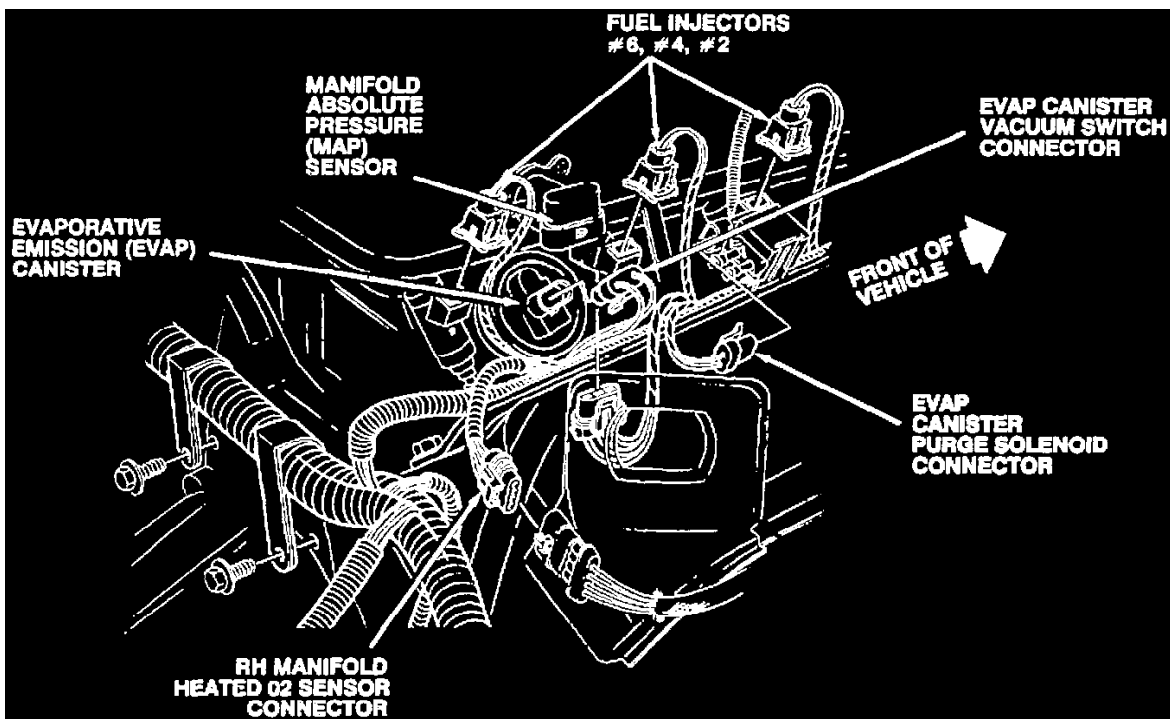
Lower LH Of Engine



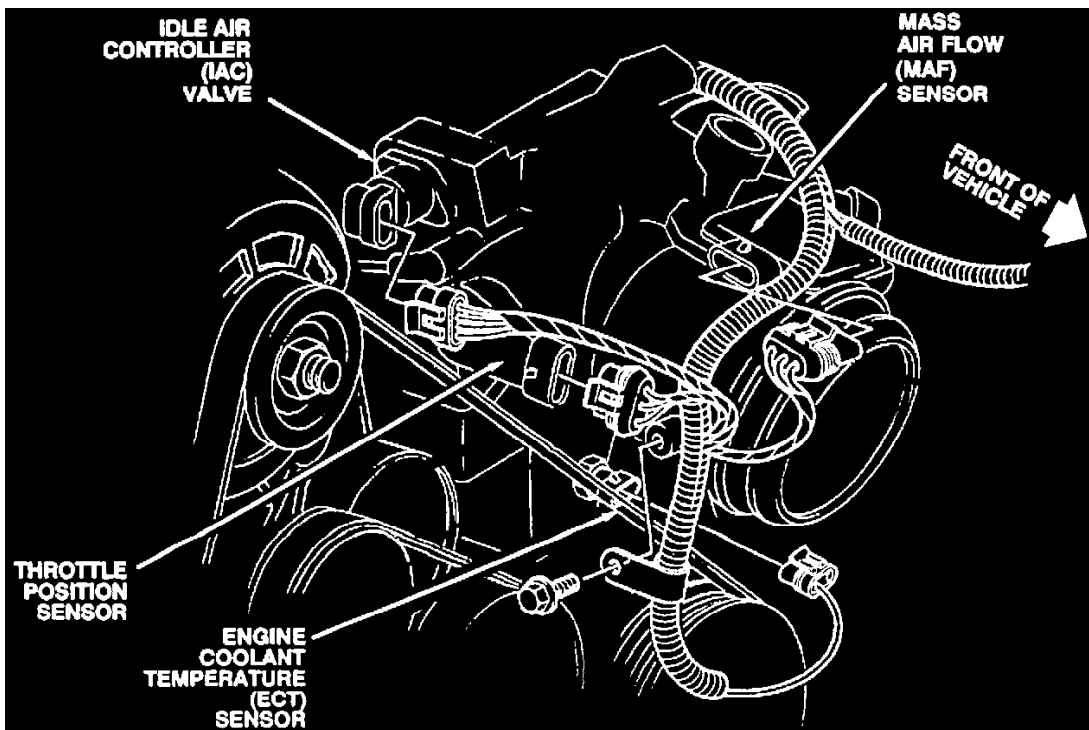
LH Front Frame Rail



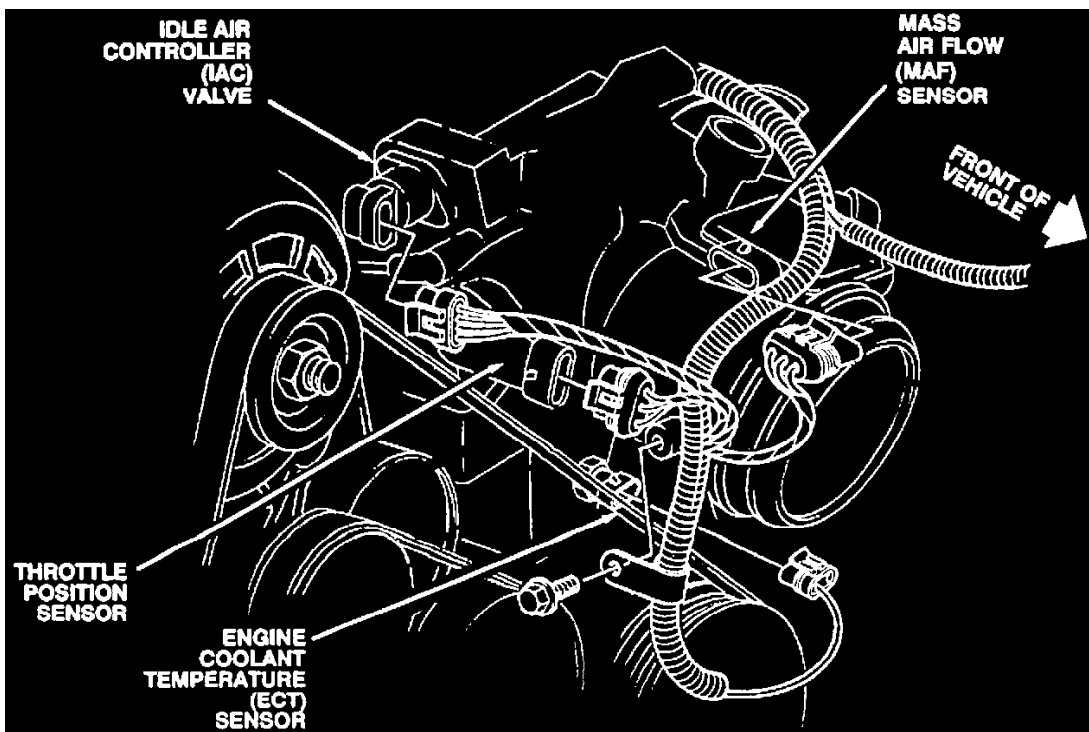
Lower LH Of Engine



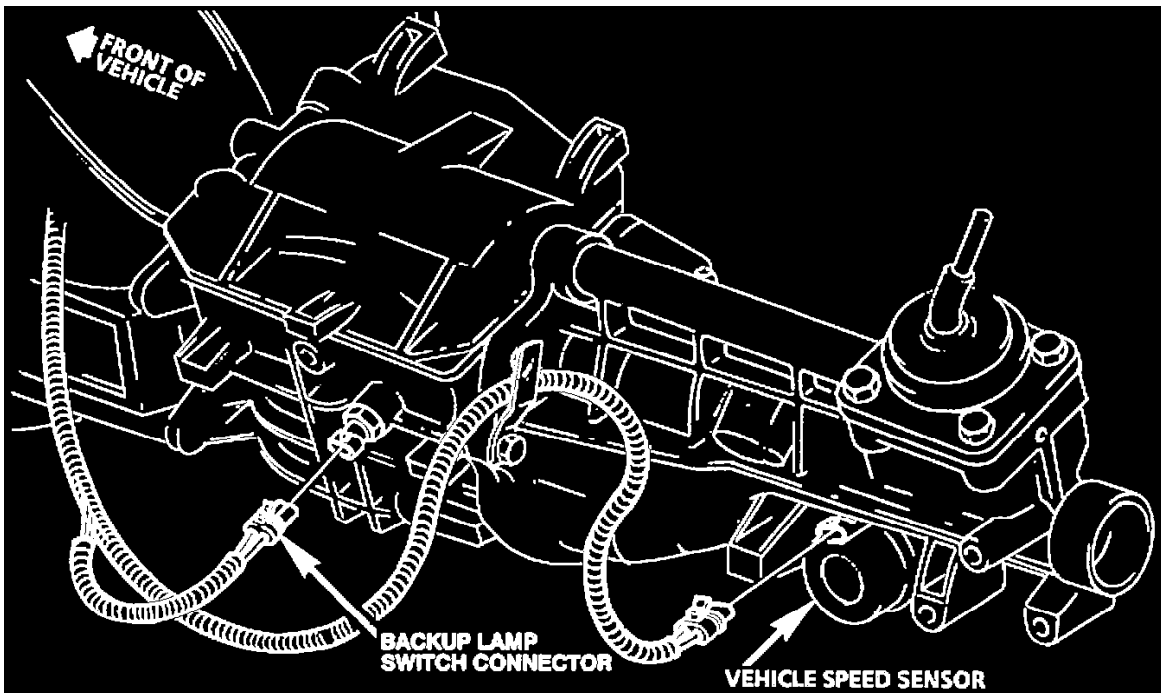
Rear RH Side Of Engine



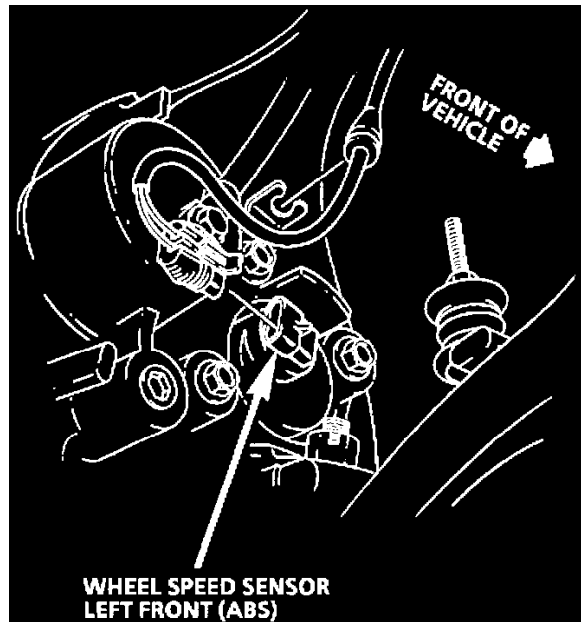
Top Front Of Intake Manifold



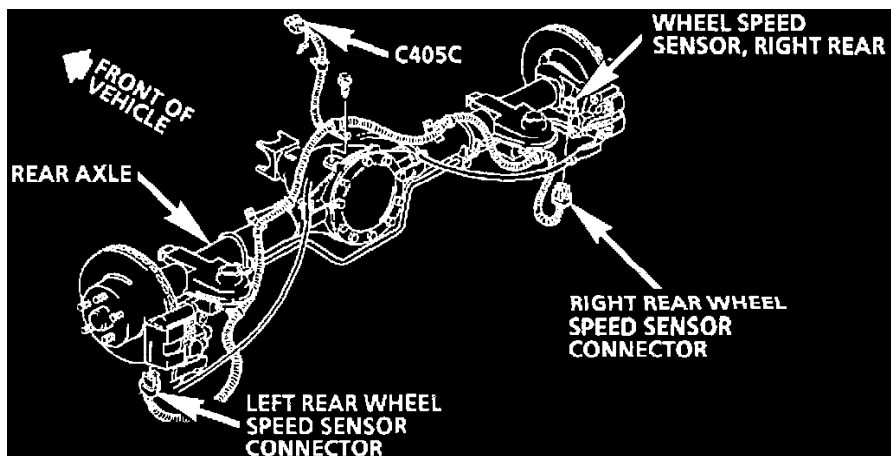
Top Front Of Intake Manifold



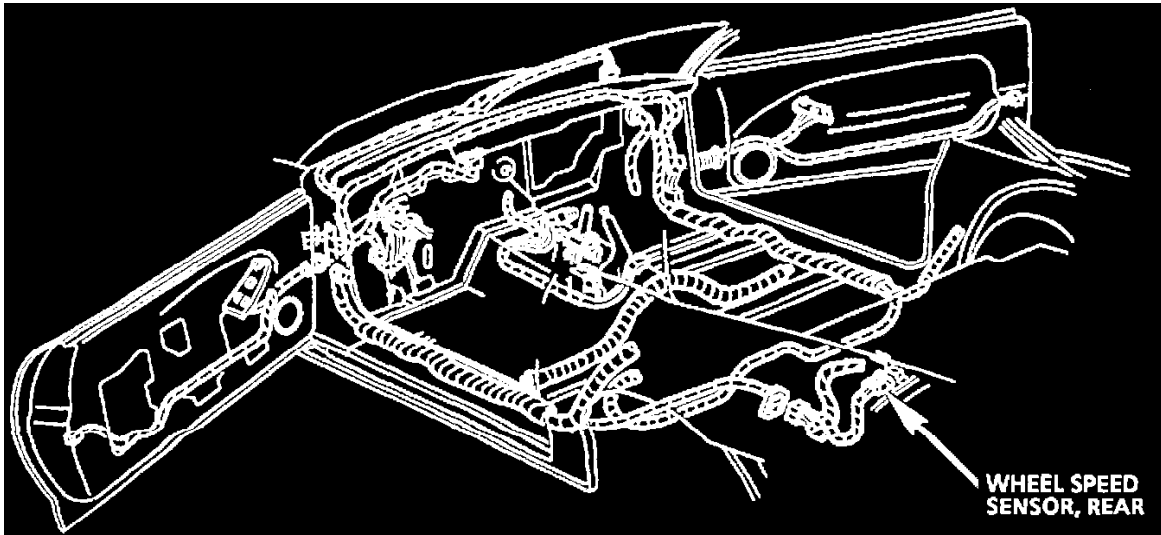
LH Side Of Manual Transmission (M49)



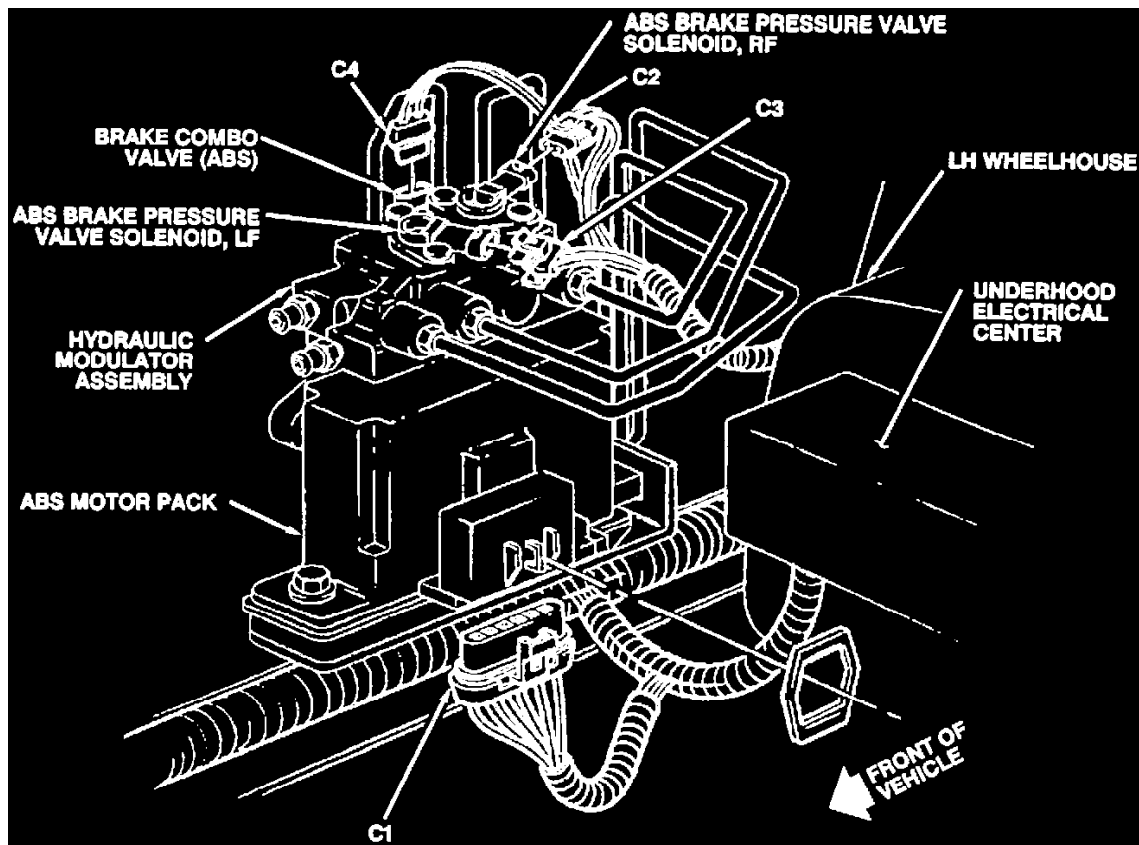
Inward Side Of Steering Knuckle (RH Side Similar)



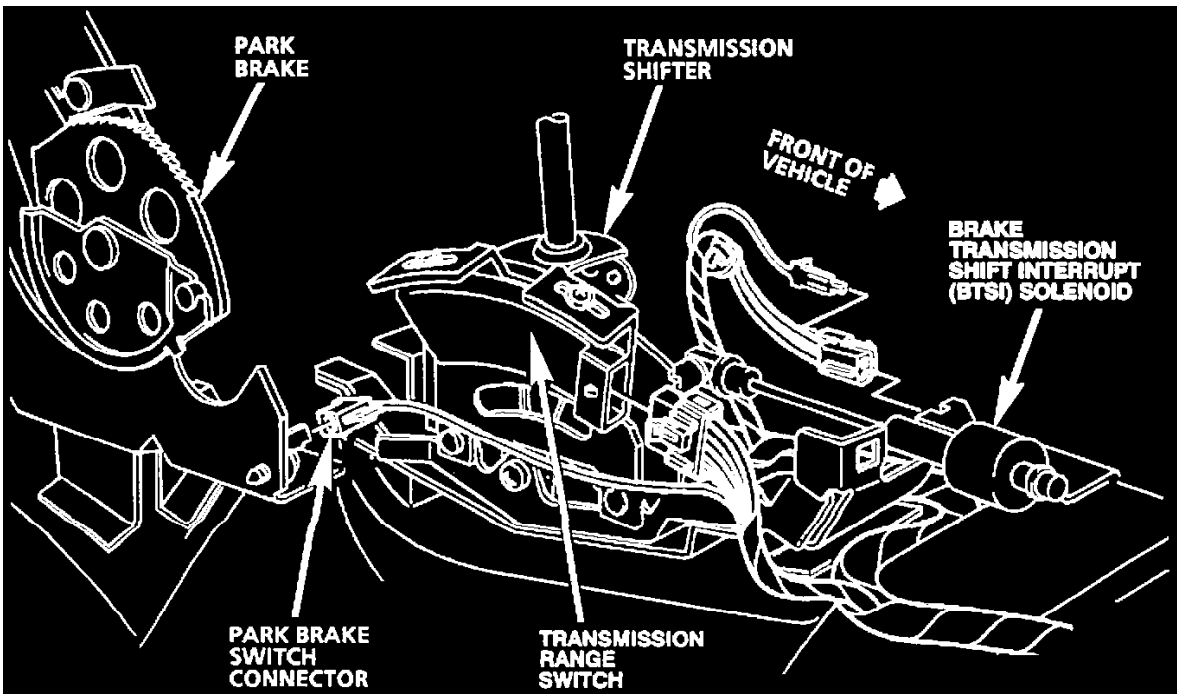
Rear Axle And Differential (With NW9)



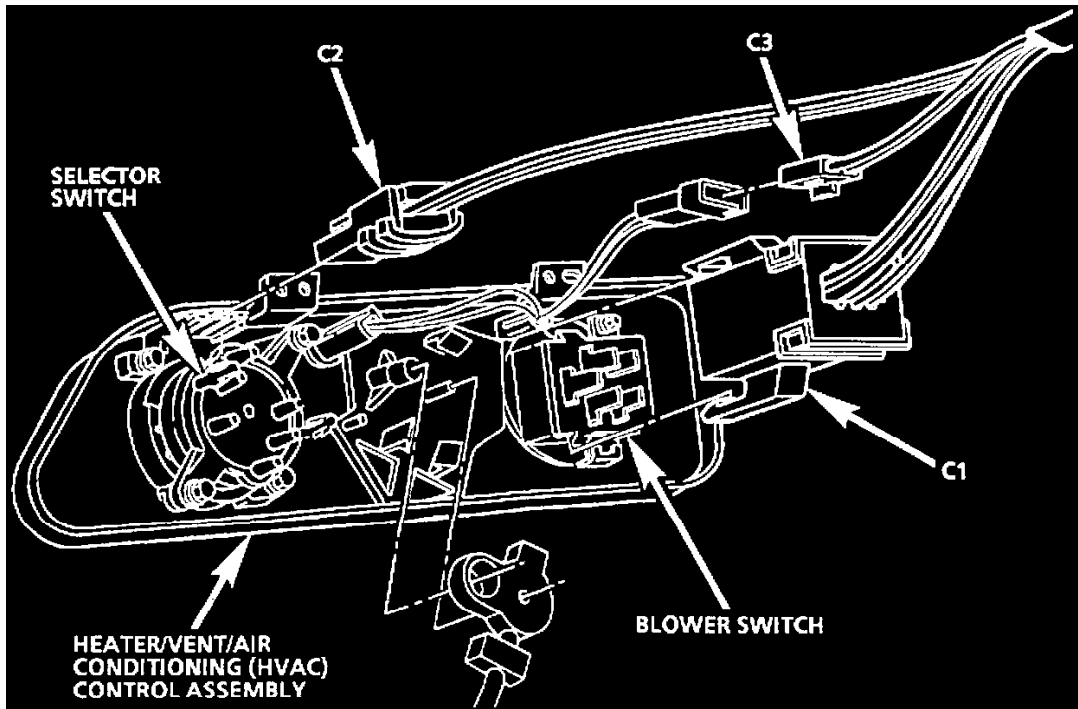
General Harness Routing View



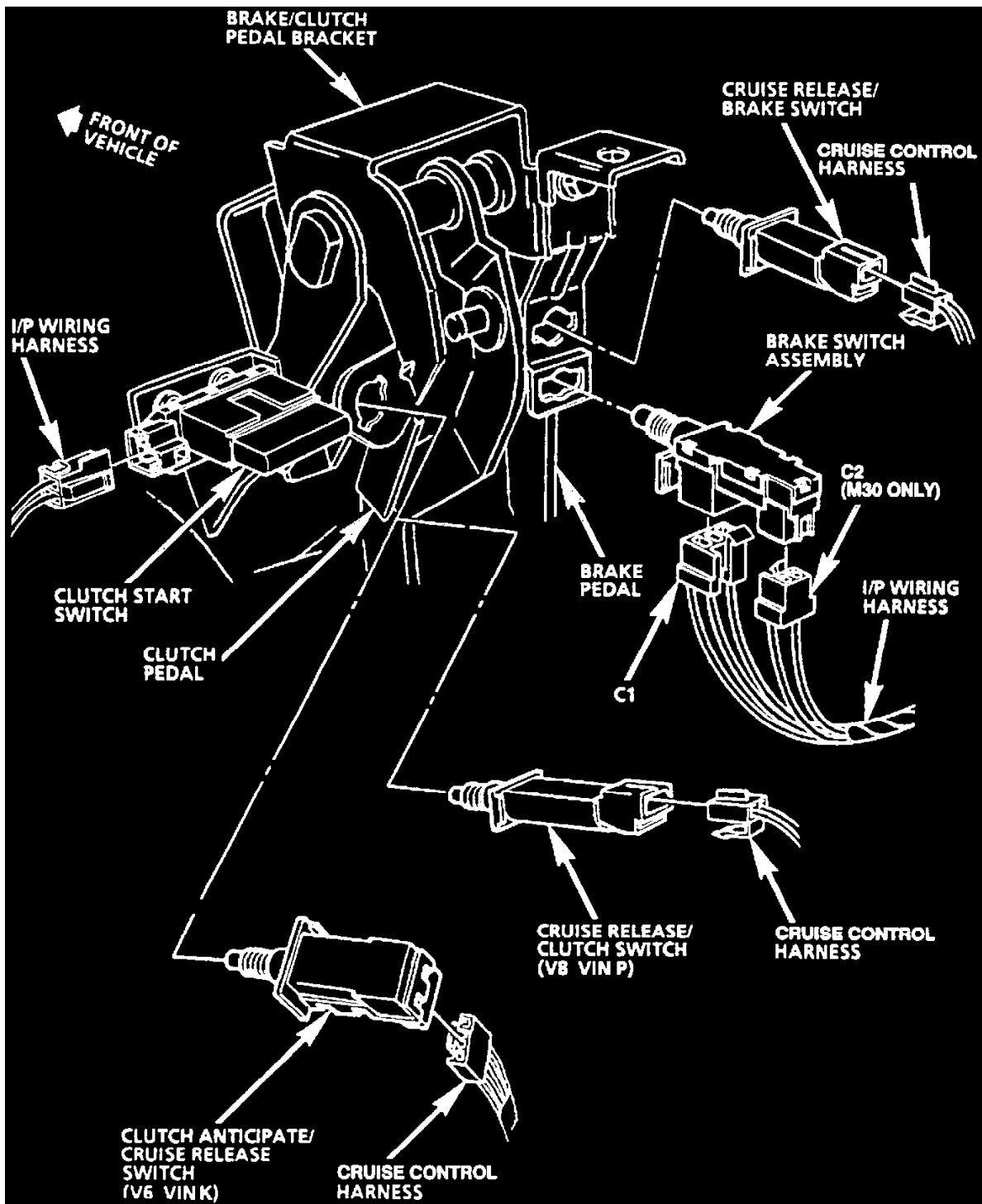
Front LH Side Of Engine Compartment



Rear Side Under Console - Automatic (M30)

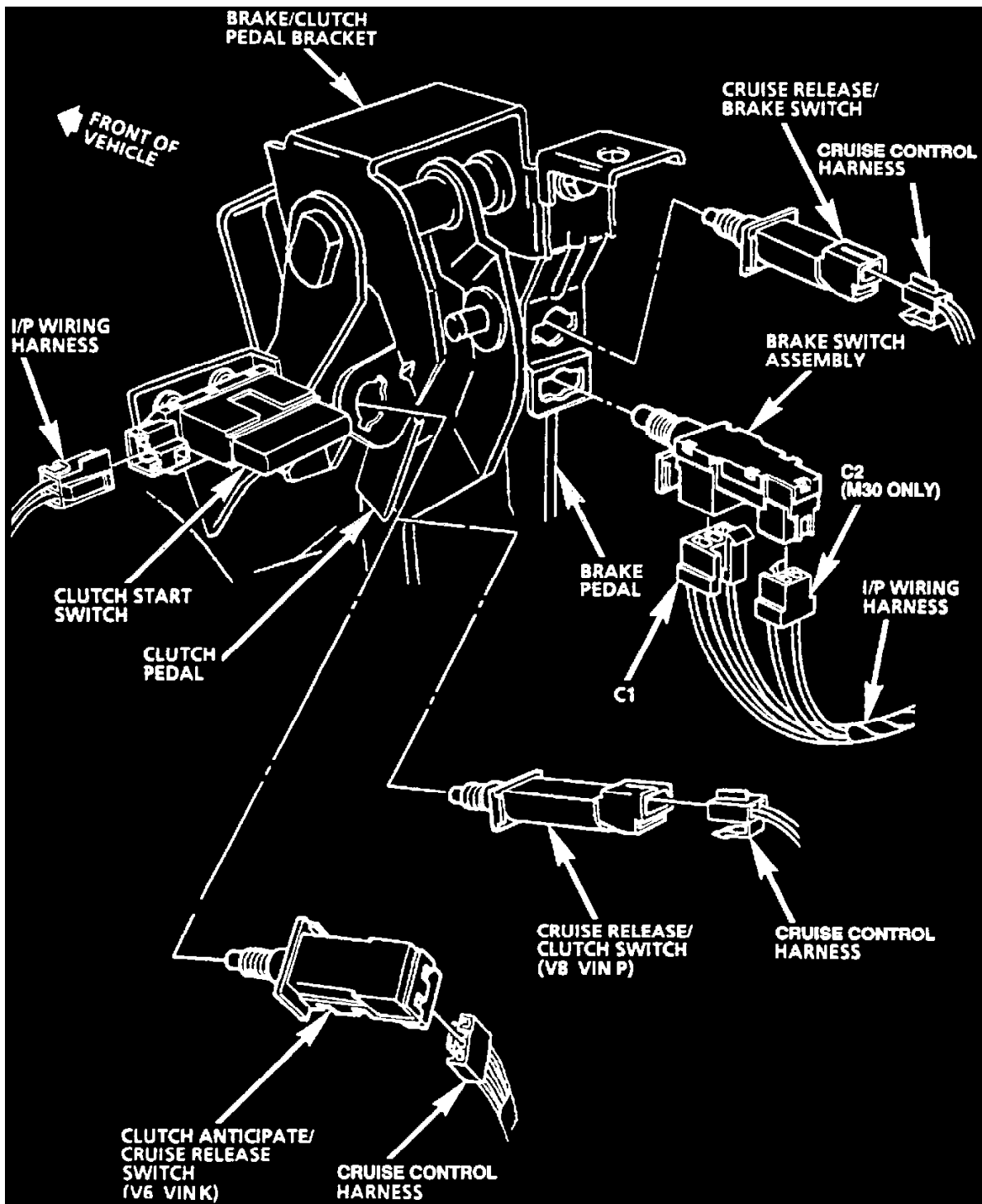


Center Of I/P

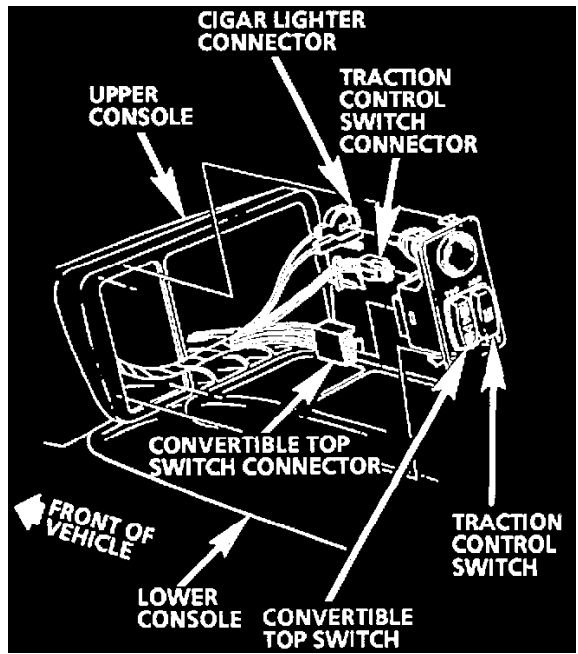


Under LH Side Of I/P

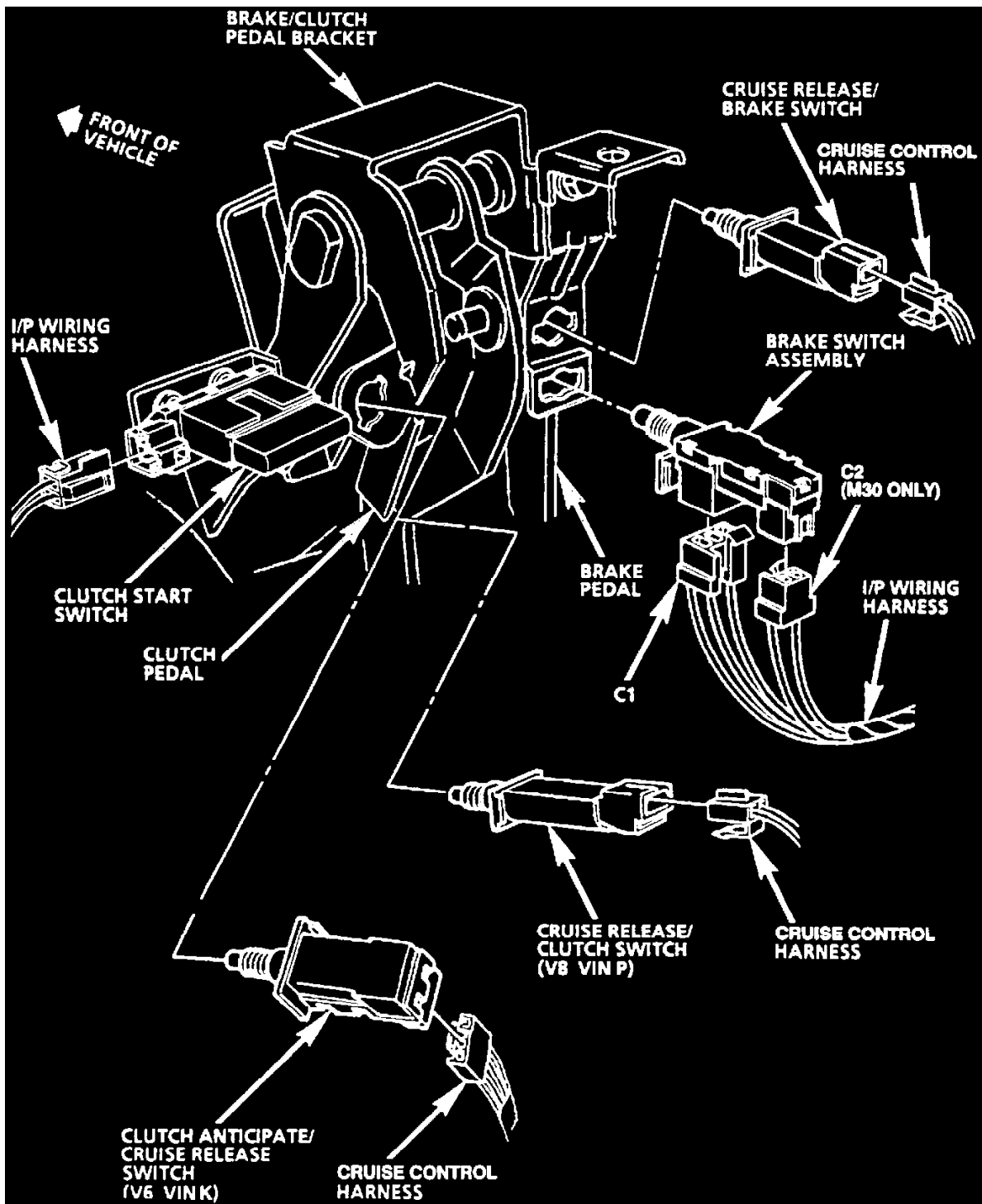




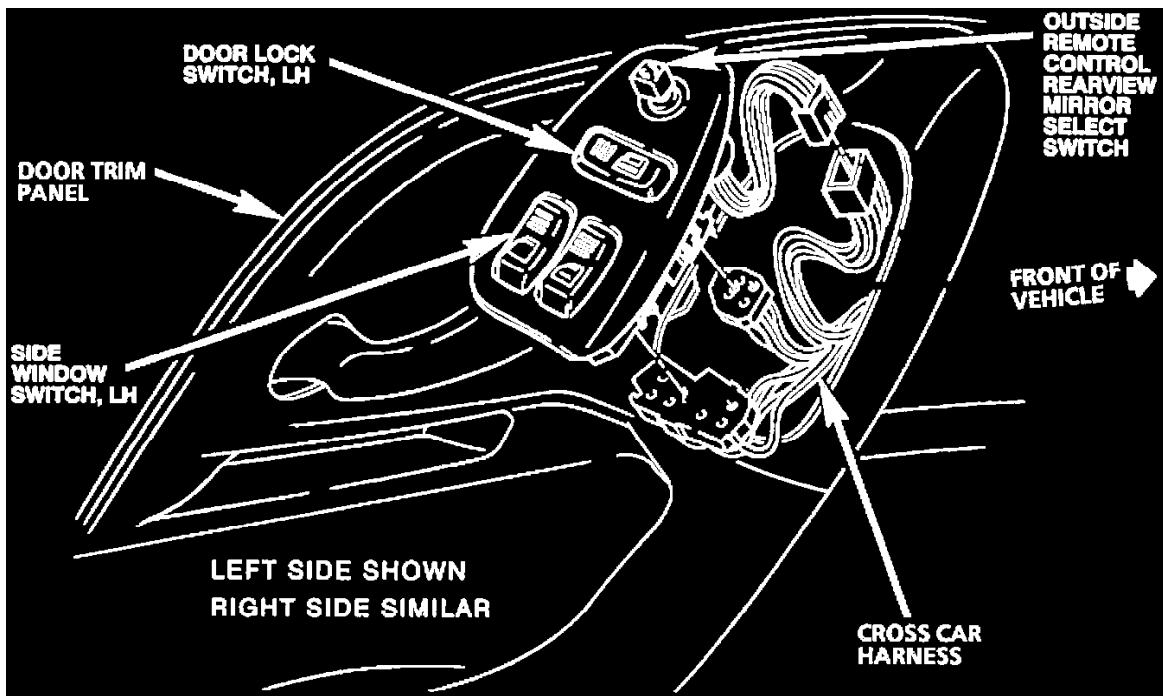
Under LH Side Of I/P



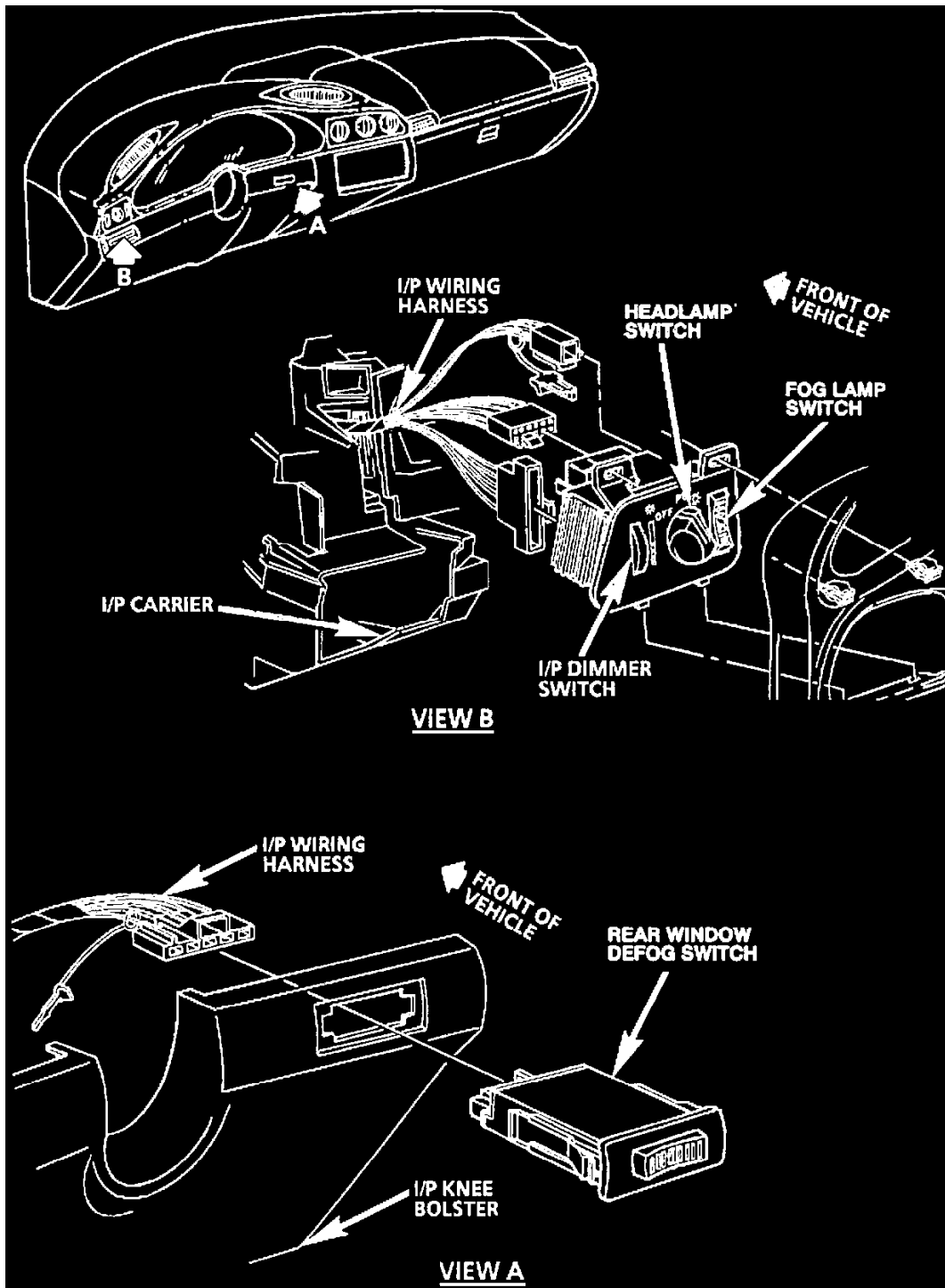
Left Side Of Upper Console



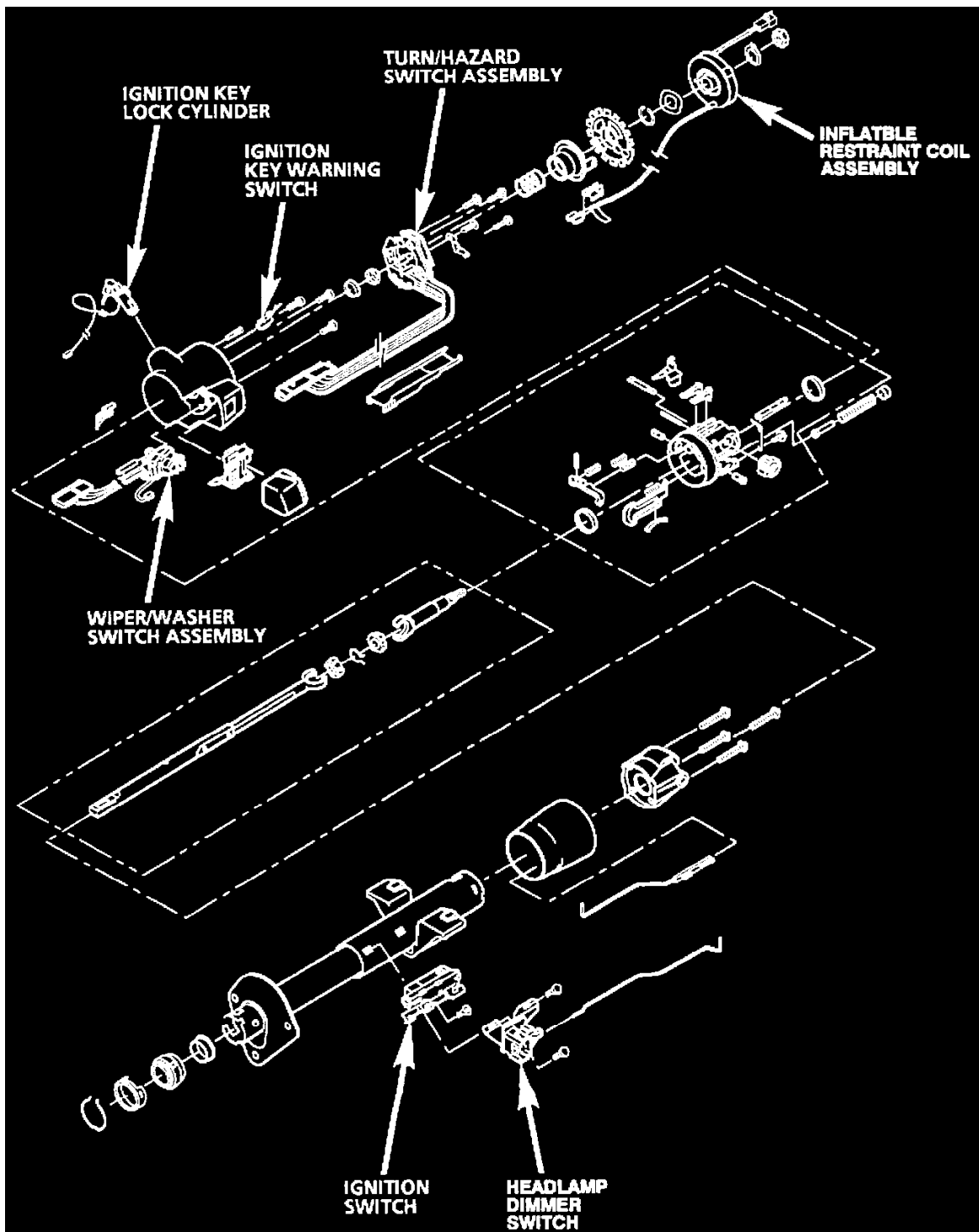
Under LH Side Of I/P



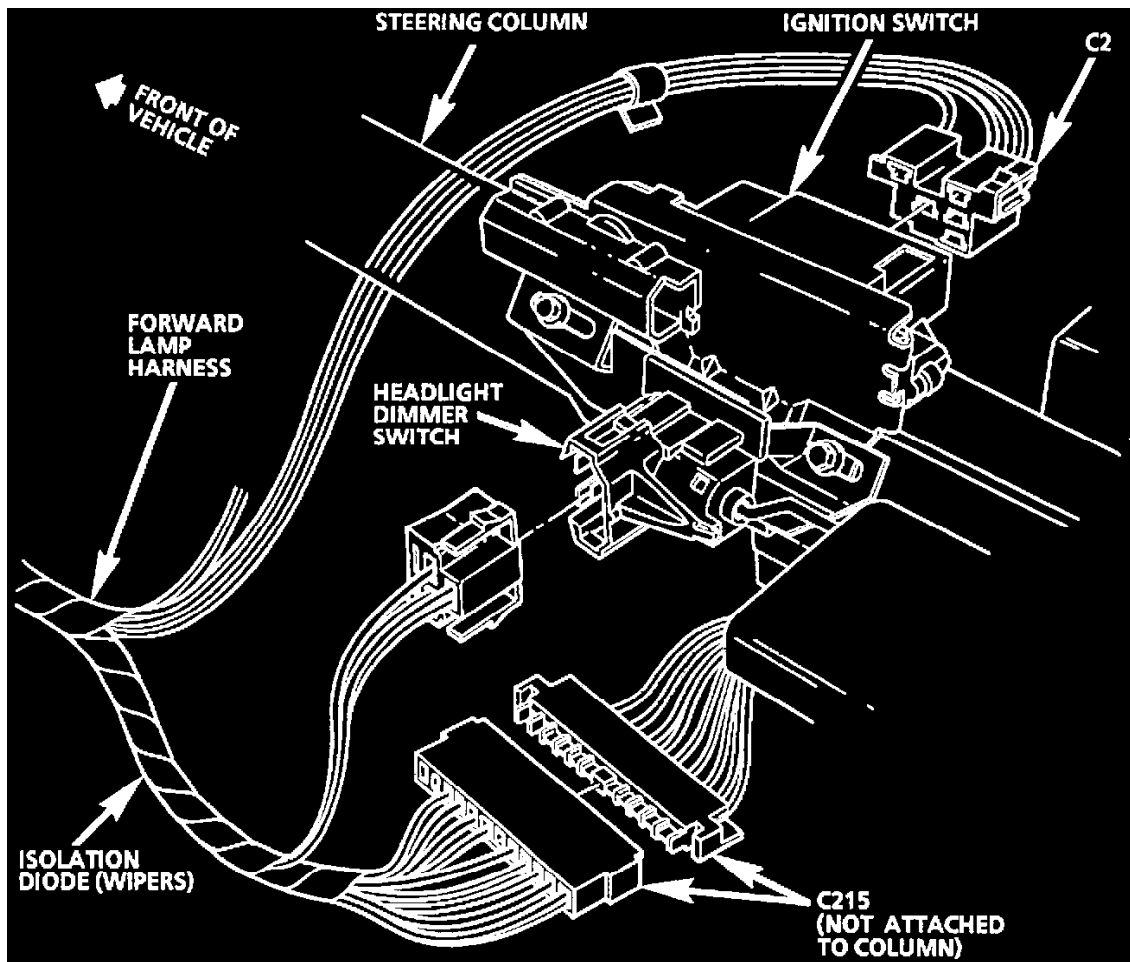
LH Door Armrest



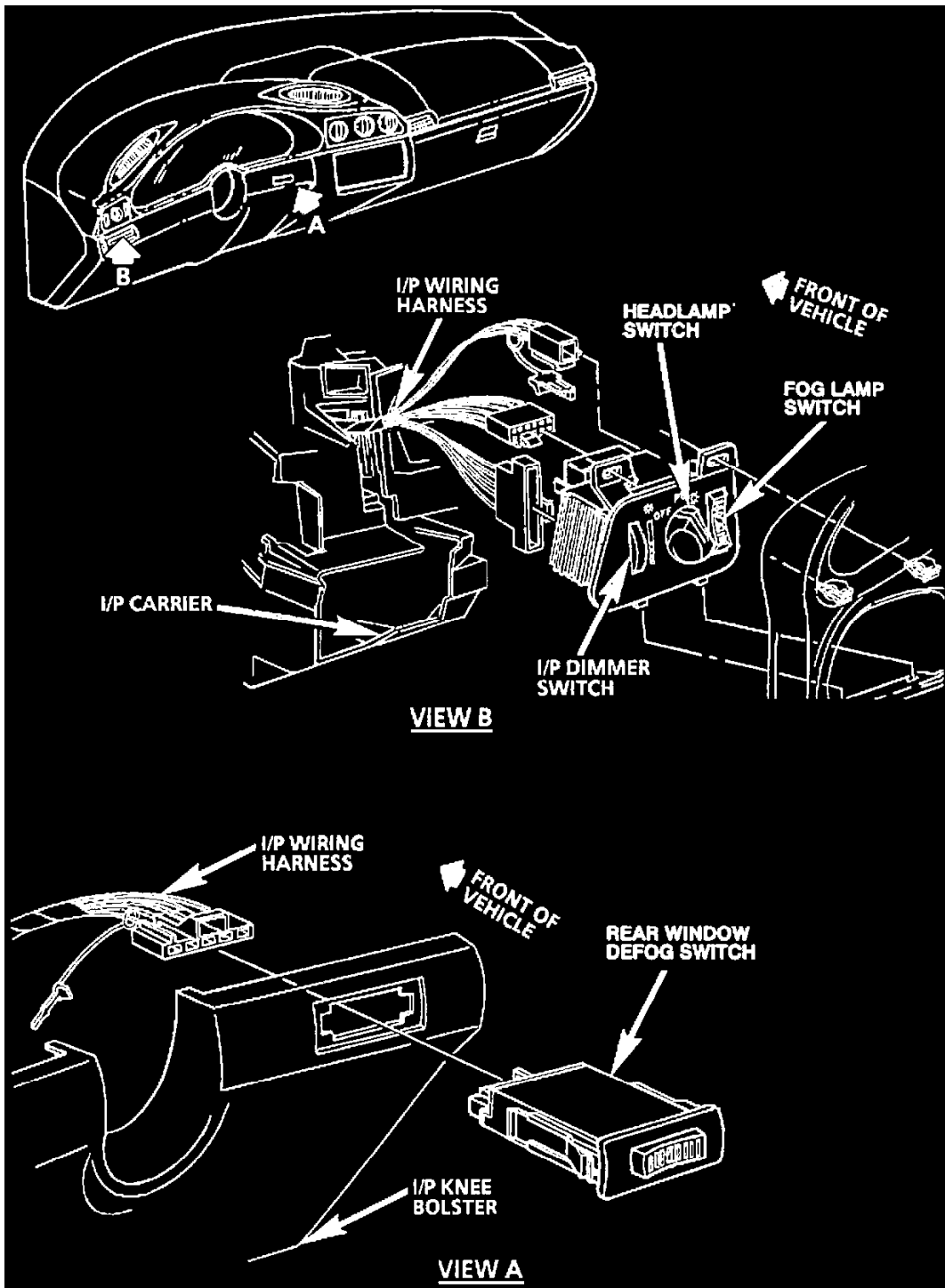
LH Of I/P



Steering Column Internals

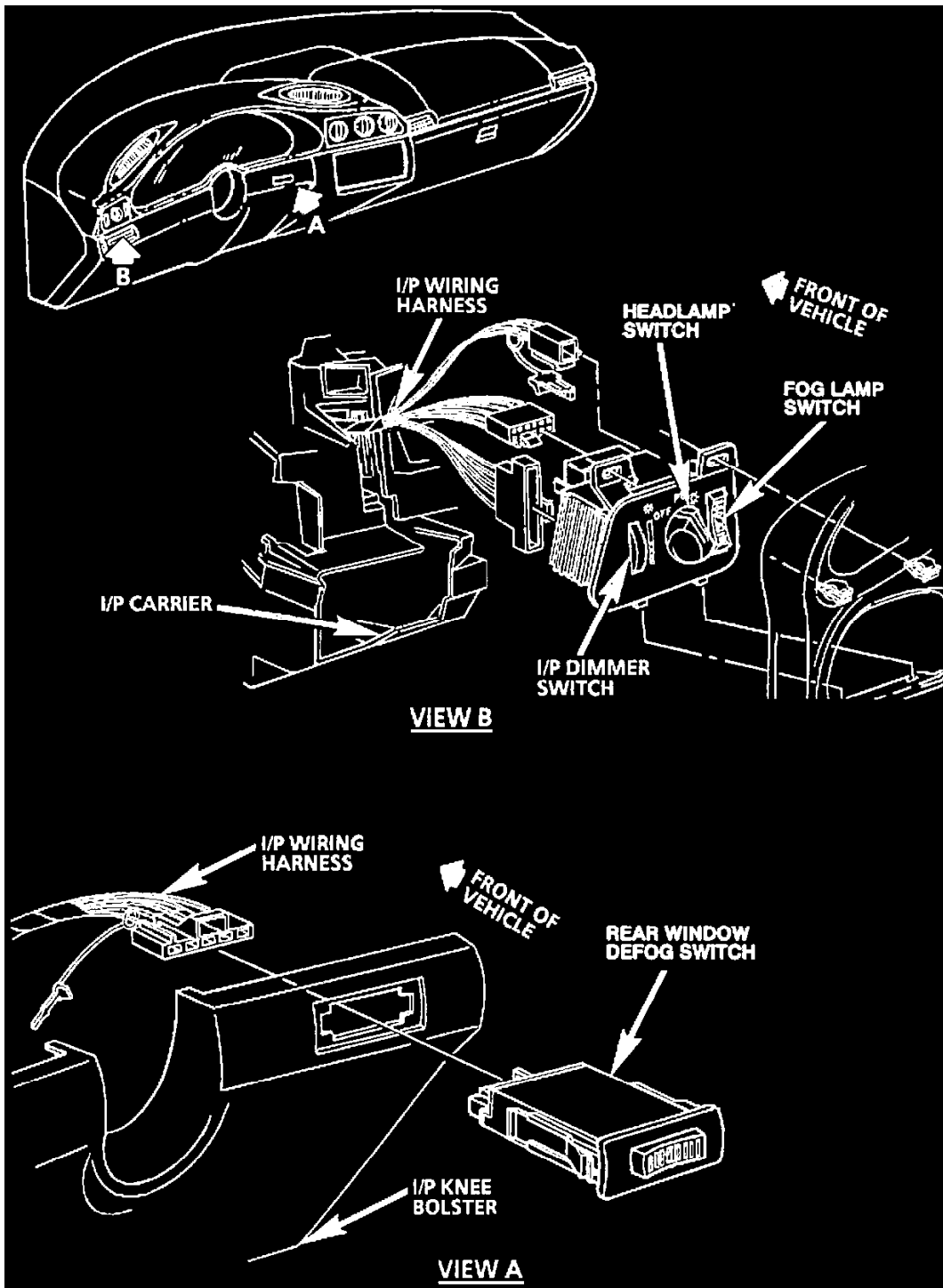


Bottom Of Steering Column

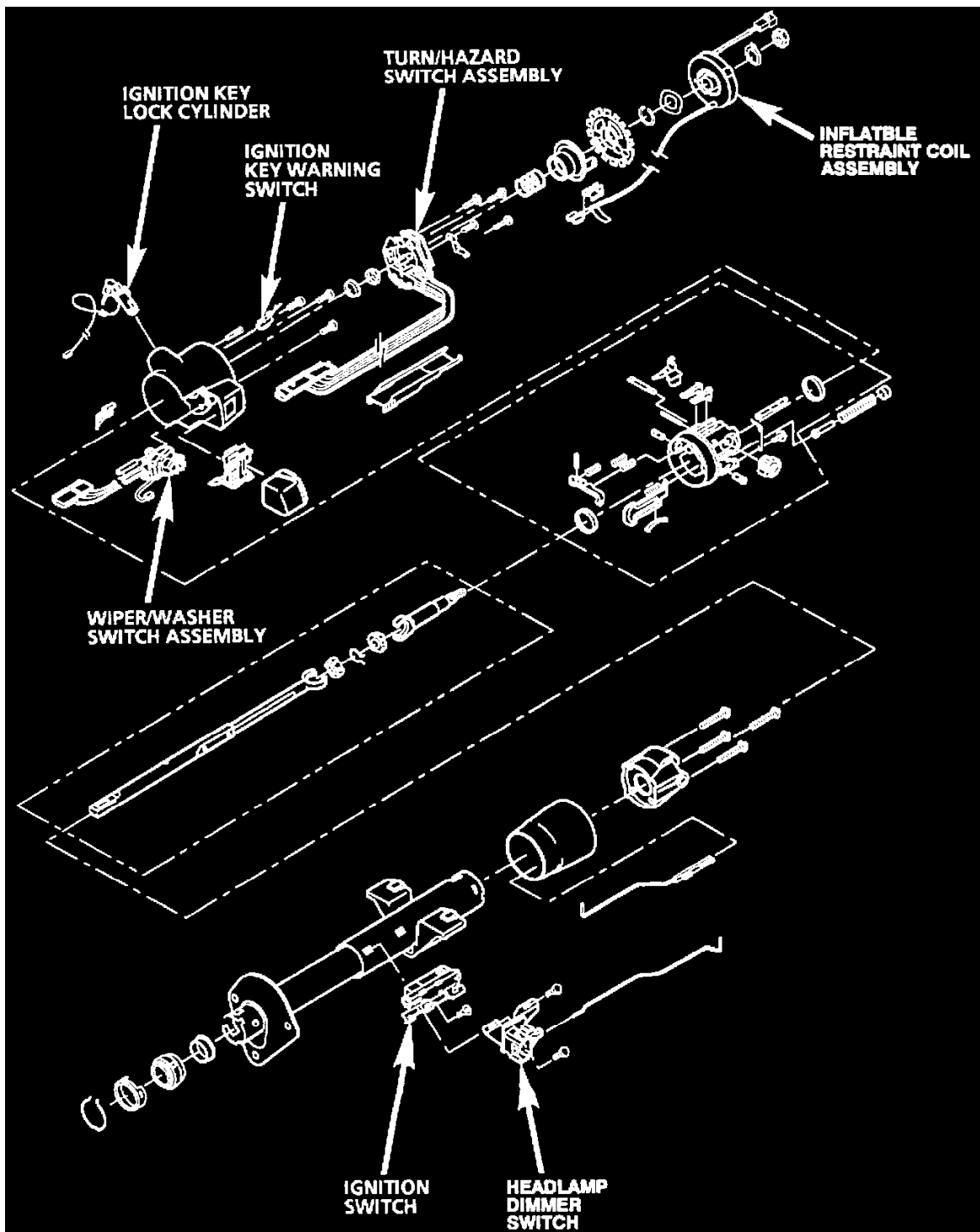


LH Of I/P

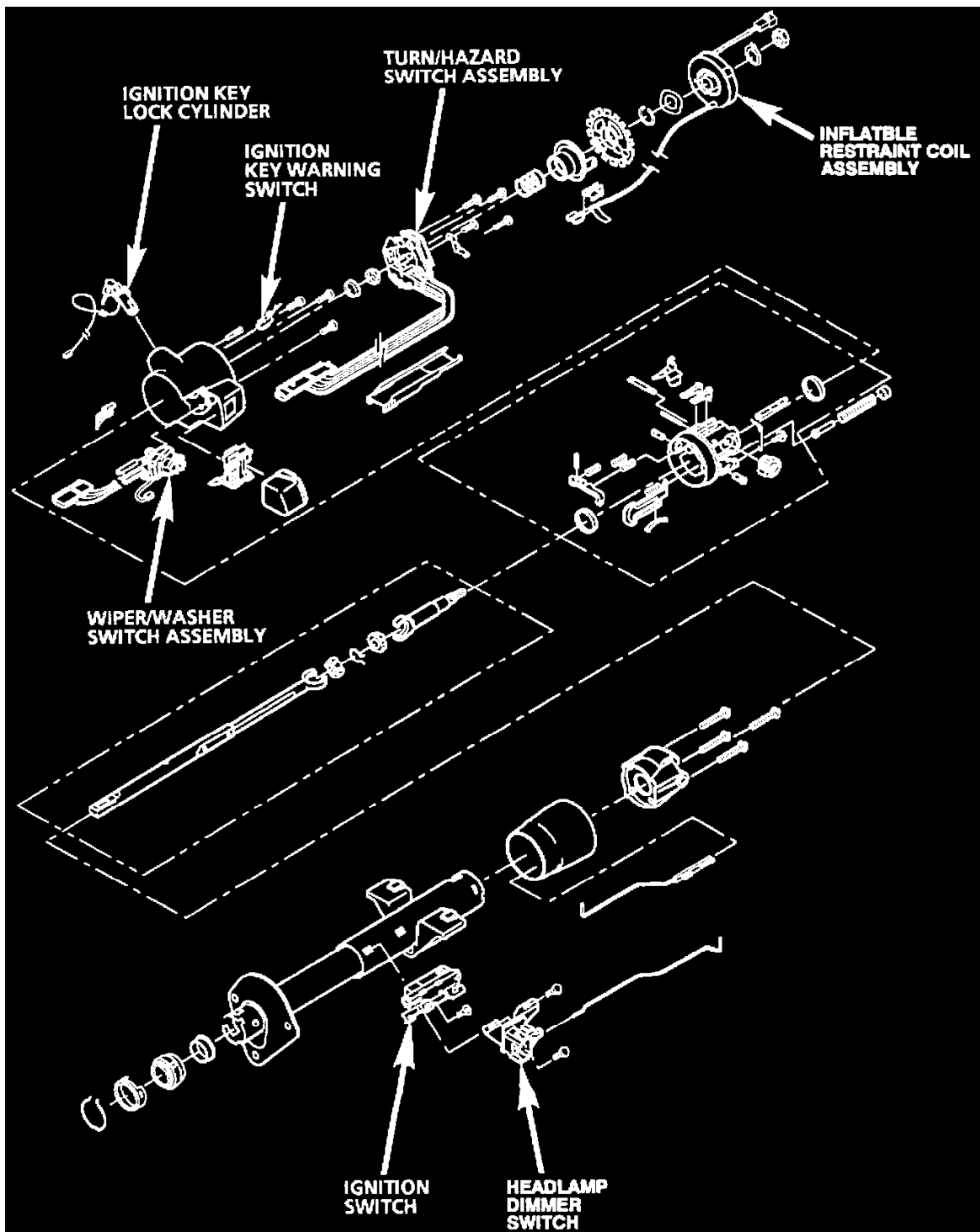




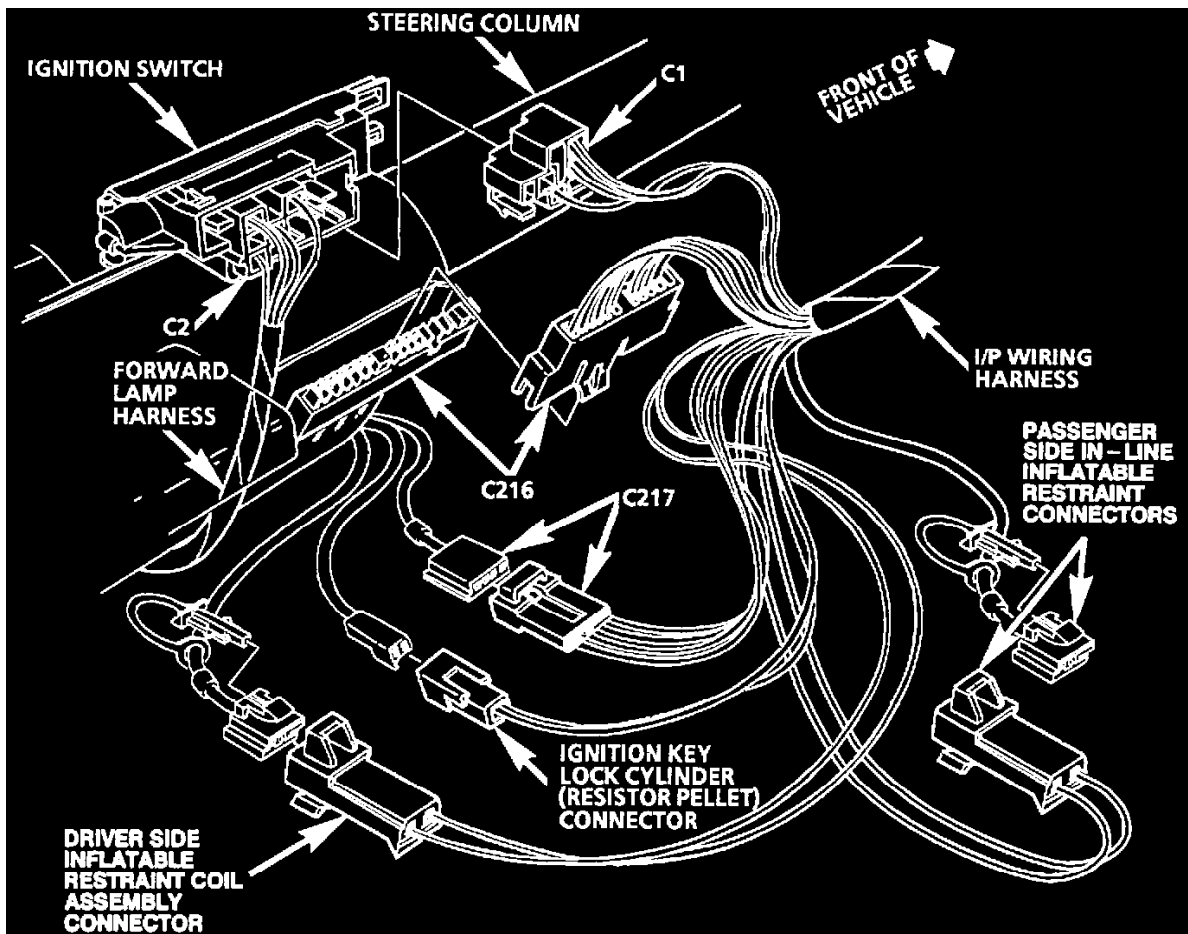
LH Of I/P



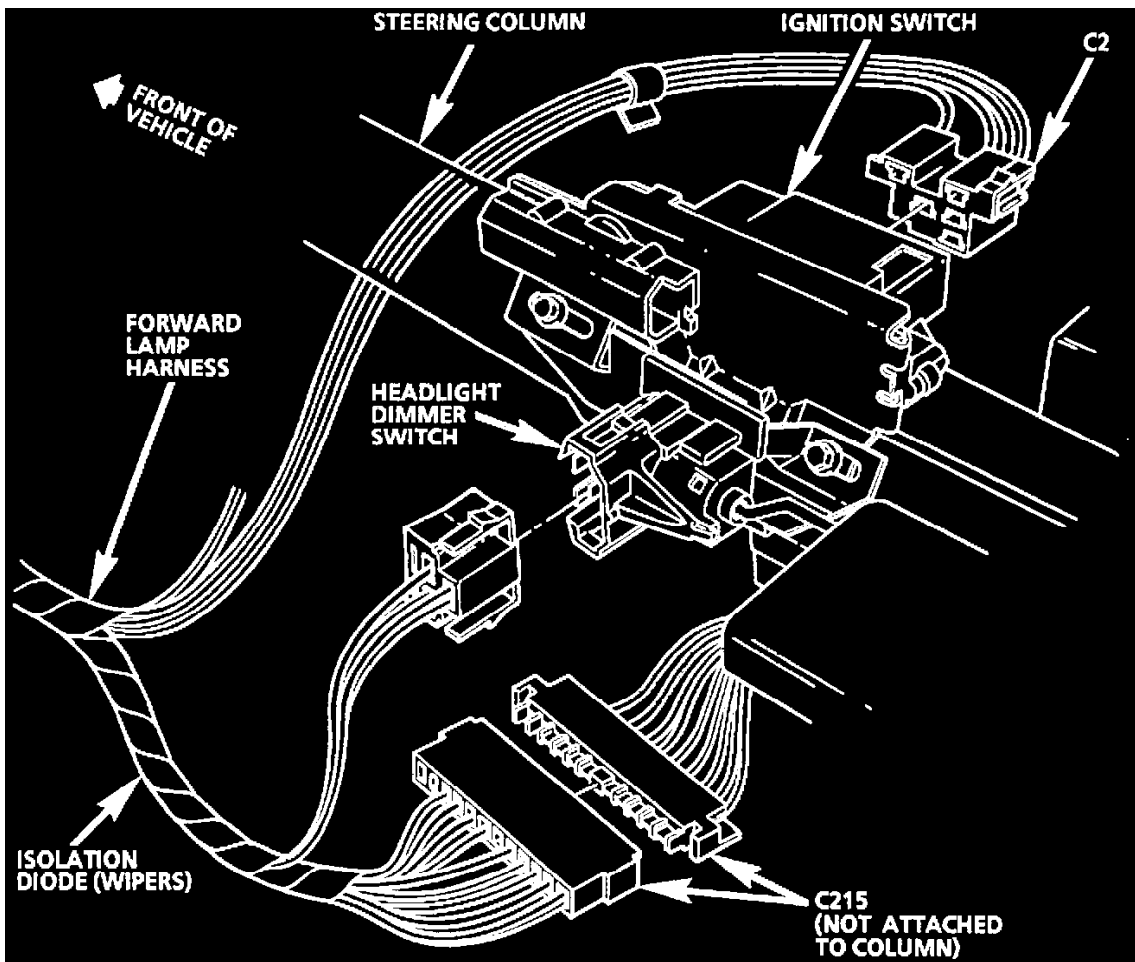
Steering Column Internals



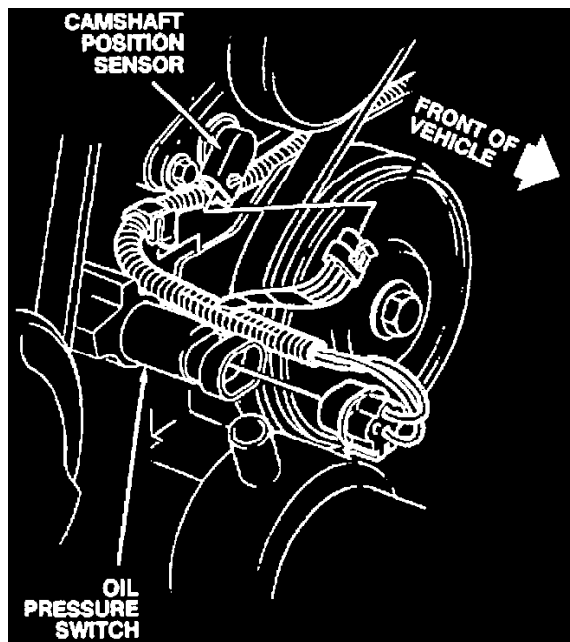
Steering Column Internals



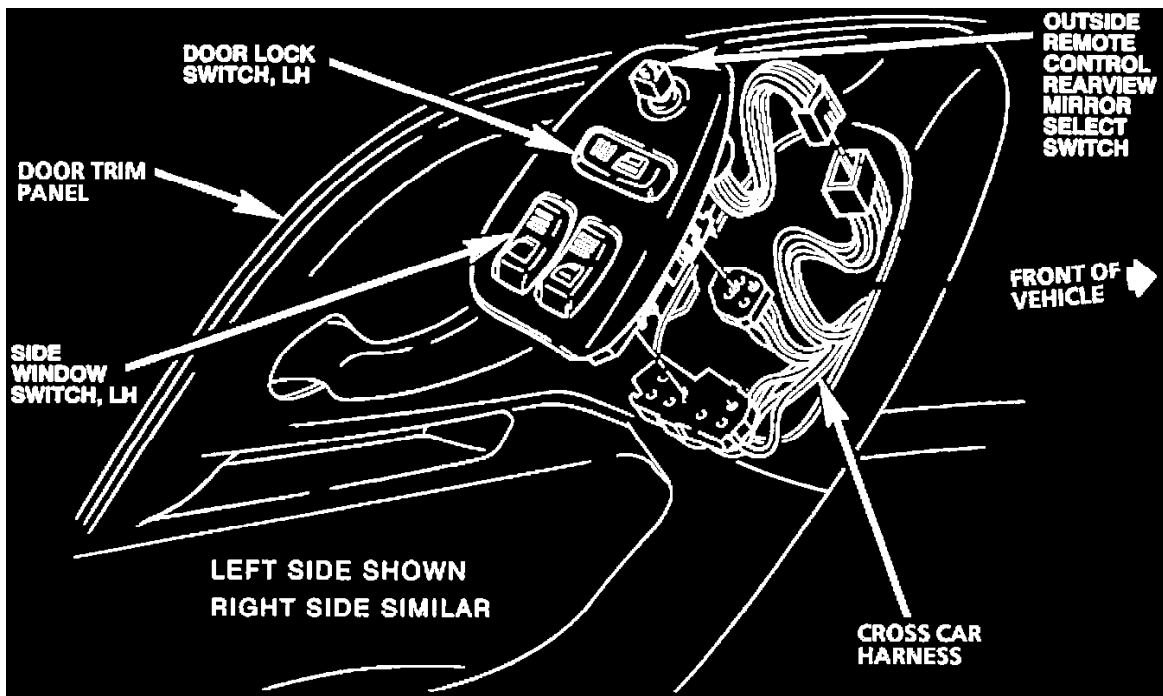
Bottom Of Steering Column



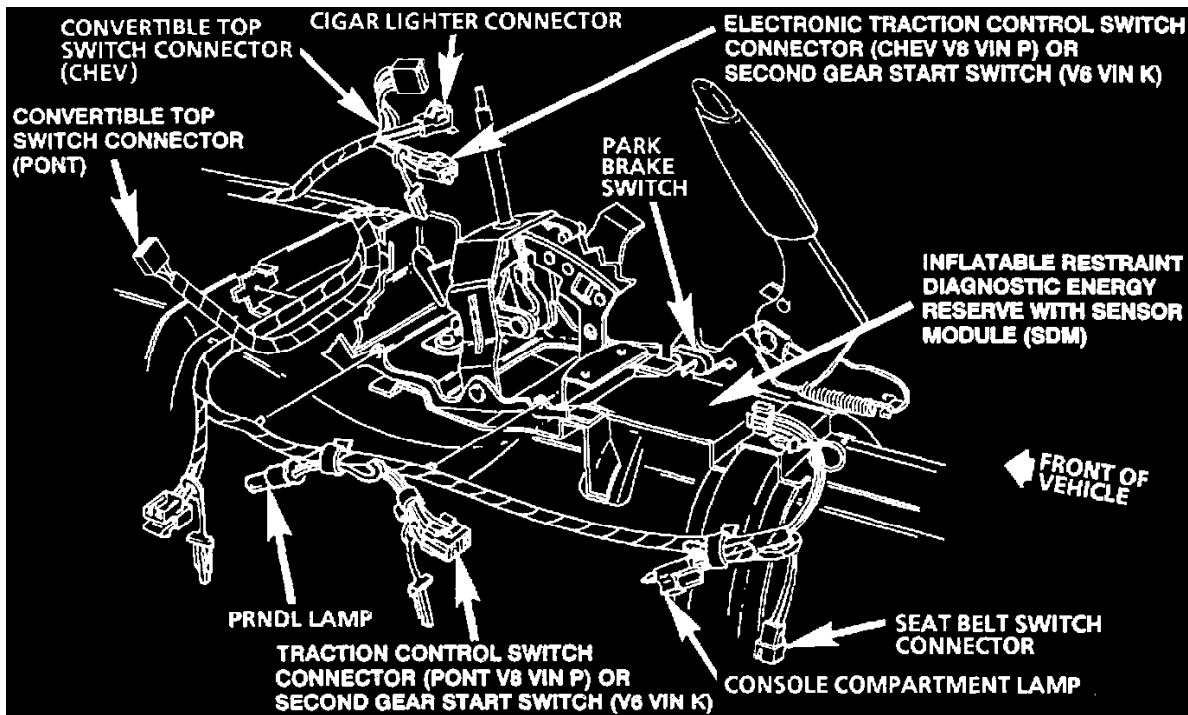
Bottom Of Steering Column



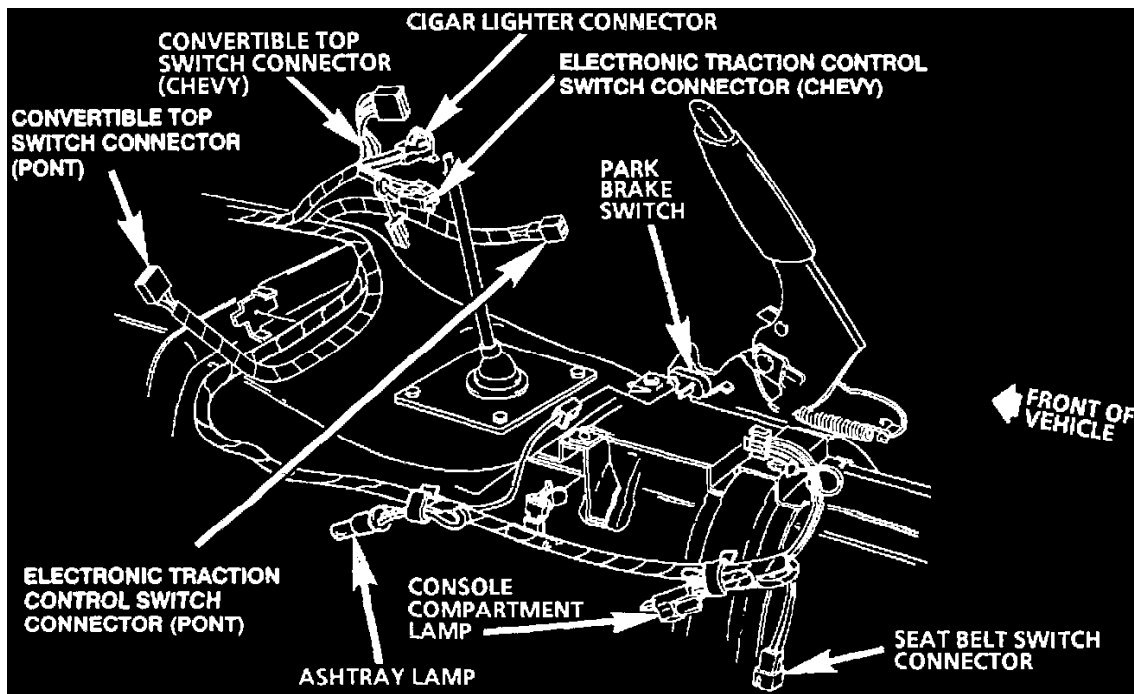
Front Of Engine



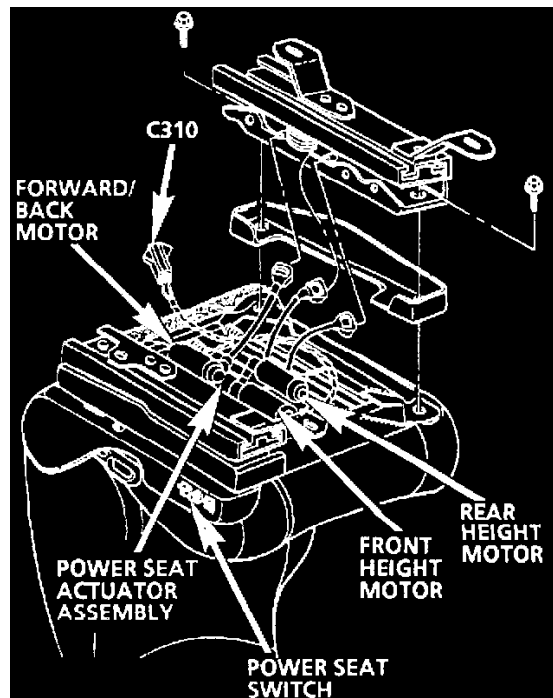
LH Door Armrest



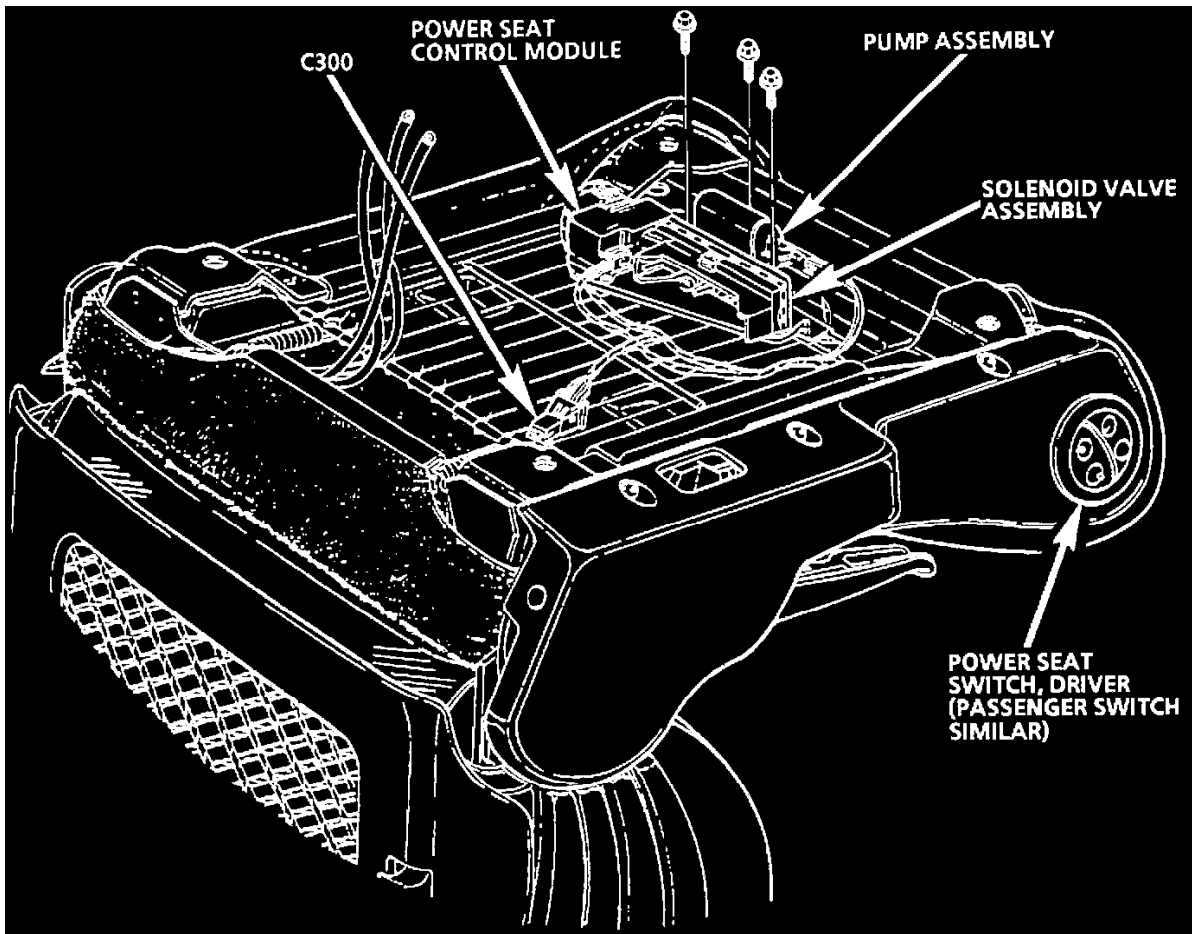
LH Side, Under Console - Automatic (M30)



LH Side, Under Console - Manual (M49 Or MM6)



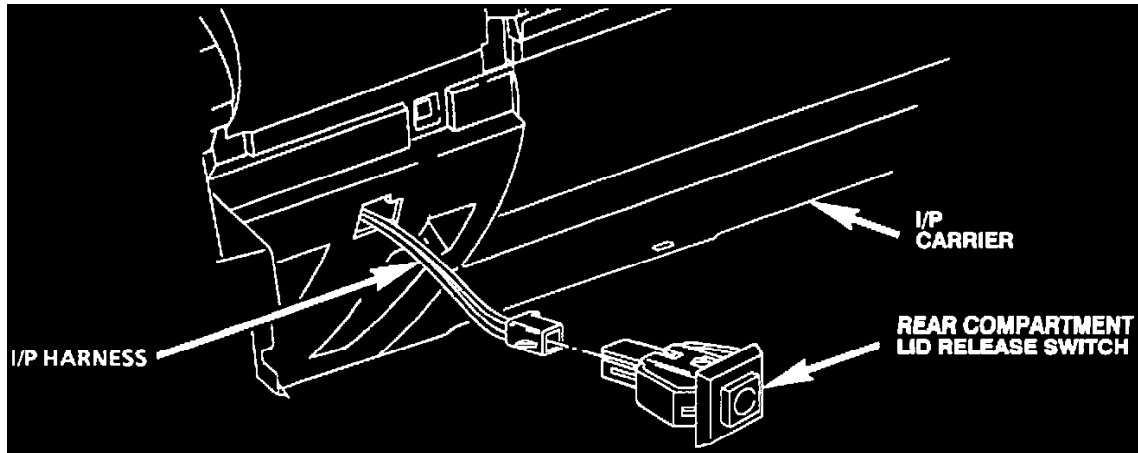
Bottom Of Driver Seat (AG1)



Under Driver's Seat (AQ9)

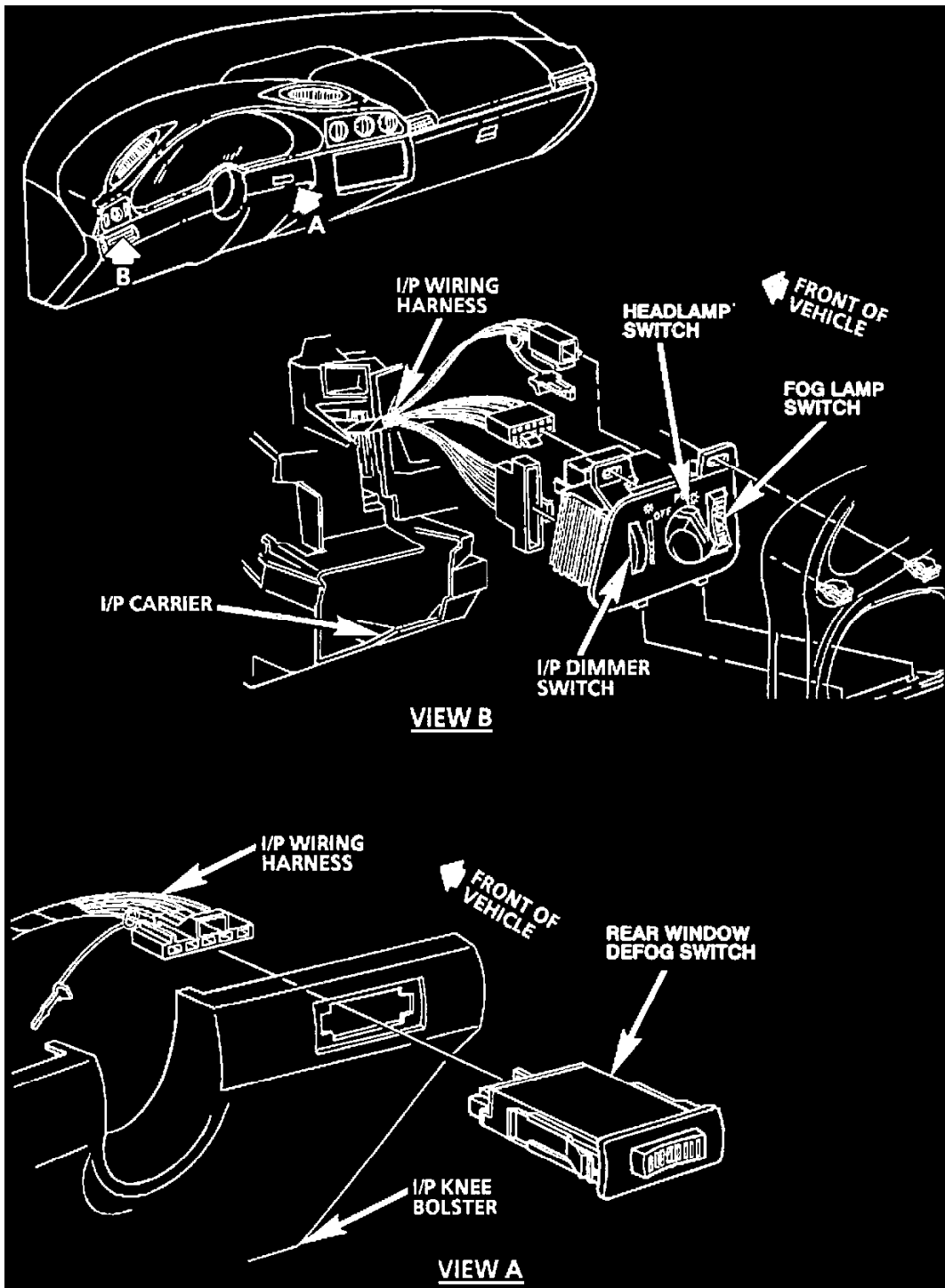
### Rear Compartment Lid Ajar Indicator Switch

Part of Rear Compartment Lid Latch

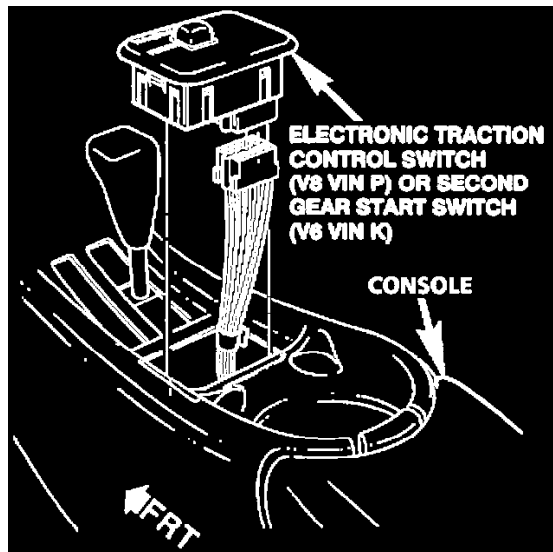


Behind I/P Compartment Door

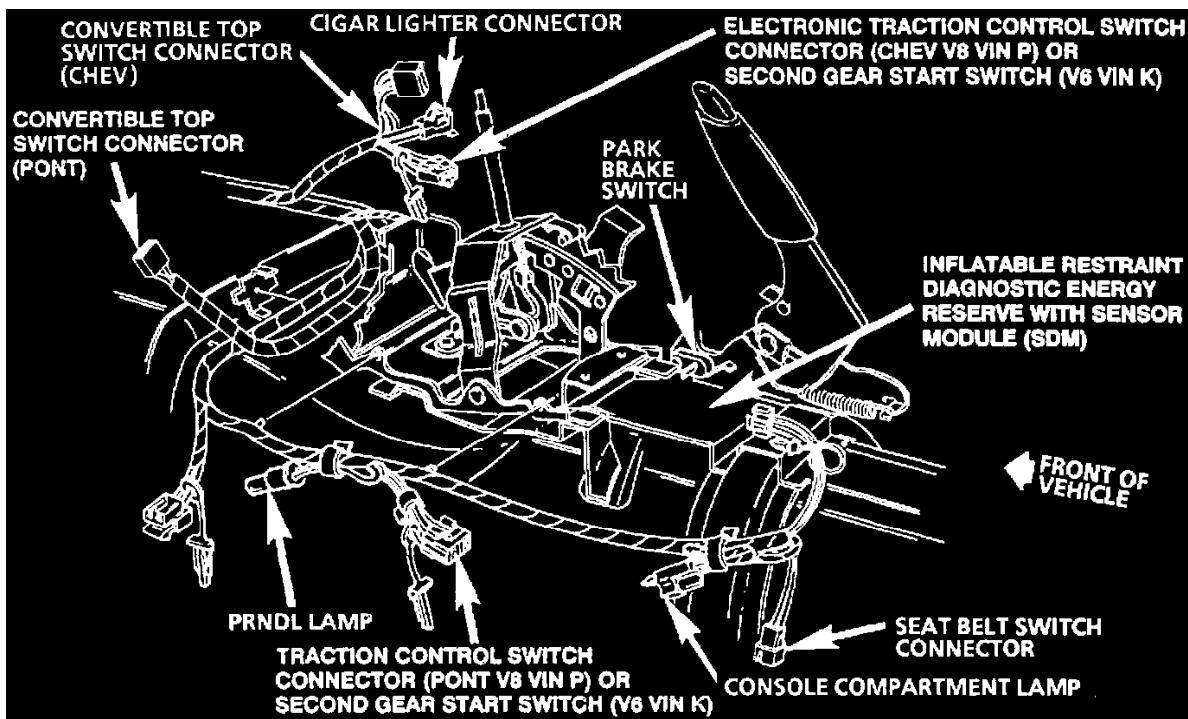




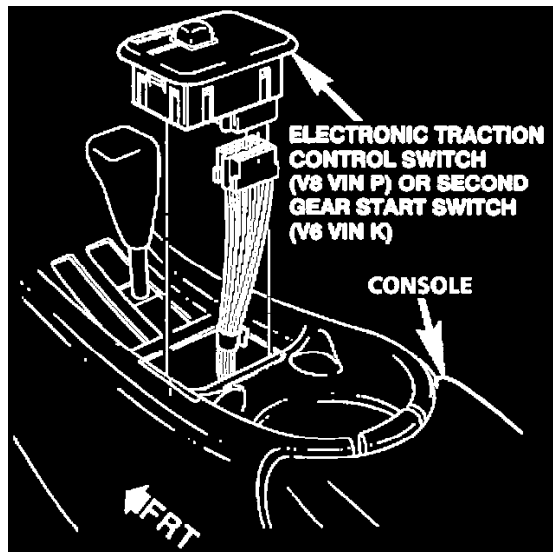
LH Of I/P



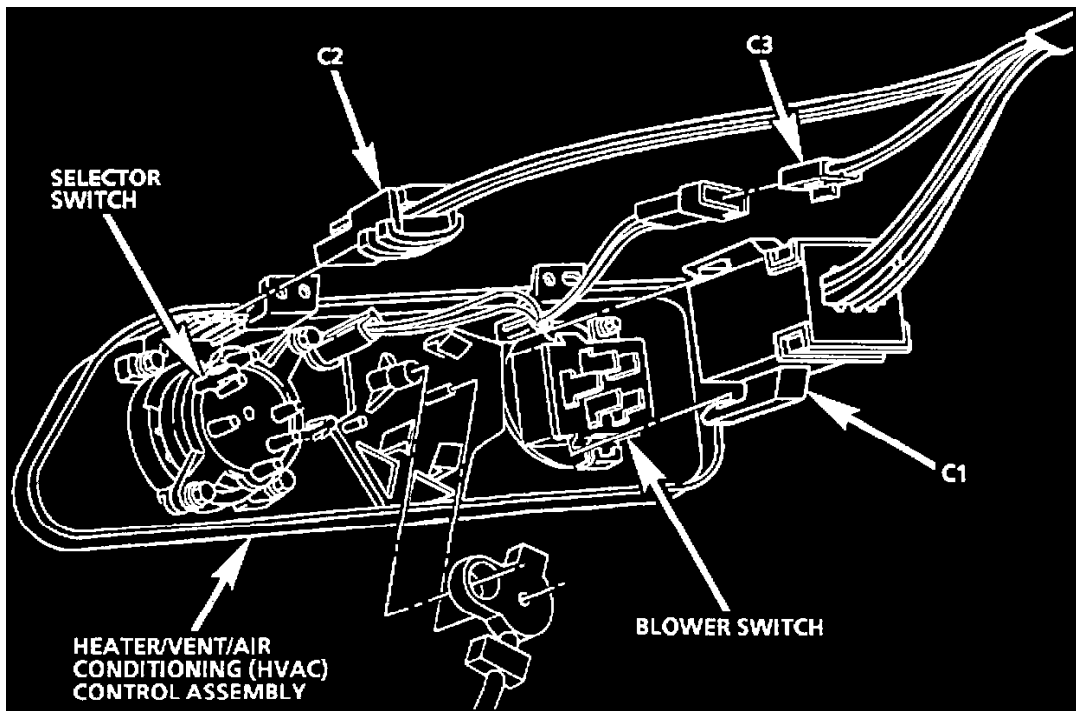
Center Console



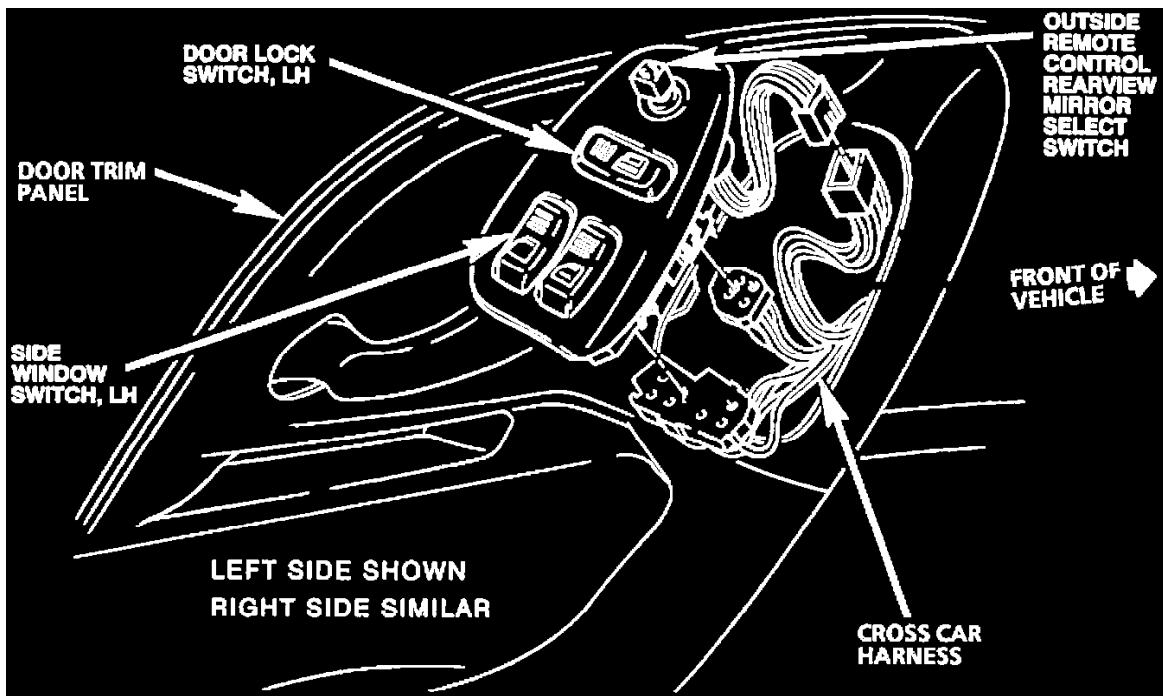
LH Side, Under Console - Automatic (M30)



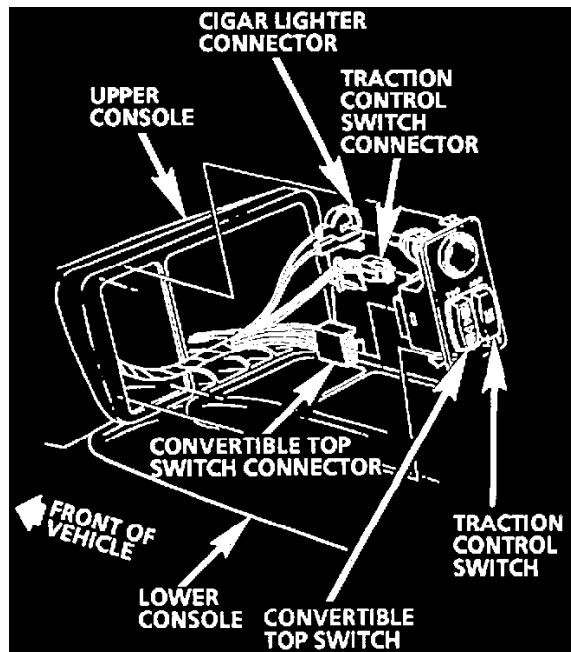
Center Console



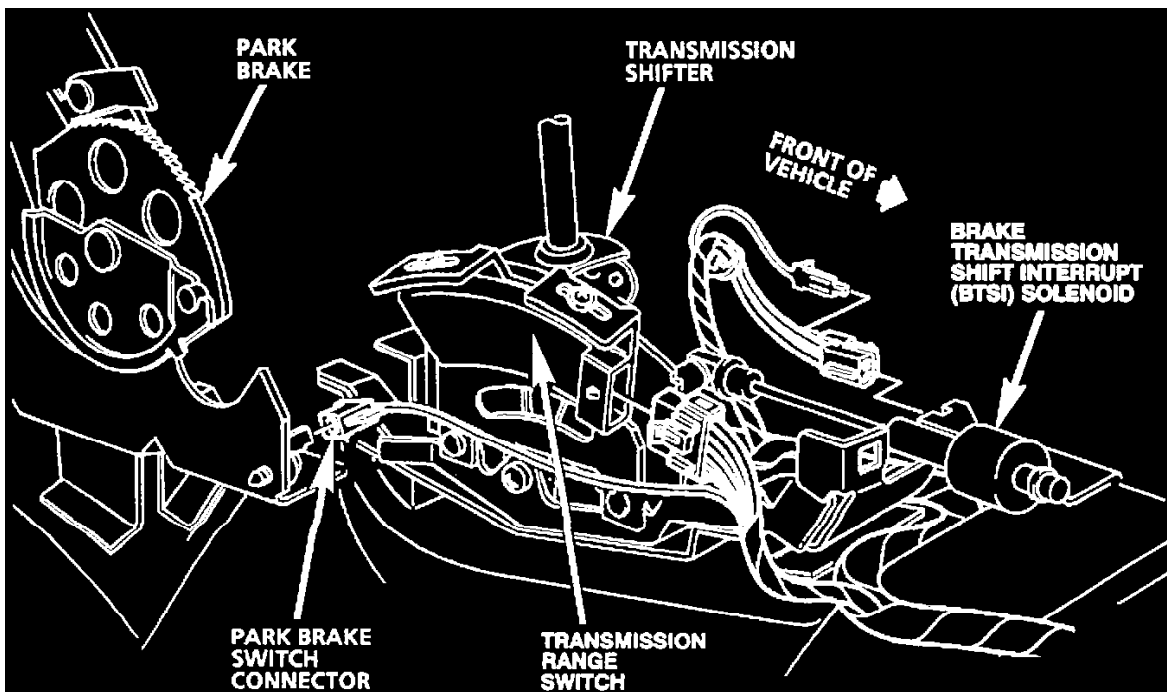
Center Of I/P



LH Door Armrest



Left Side Of Upper Console



Rear Side Under Console - Automatic (M30)

## Text Description

A/C Clutch Diode (V6 VIN K)	Sealed in Harn, 2.5 cm from Injector #2 Breakout
A/C Clutch Diode (V8 VIN P)	Sealed in Harn, 33 cm back from A/C Compressor Clutch Connector
A/C Compressor Clutch	RH side of Engine, below Generator
A/C Compressor Relay	In Underhood Electrical Center, Location B
A/C Evaporator Temperature Sensor (V8 only)	Mounted in Evaporator Core
A/C Refrigerant Pressure Sensor	Above RH shock tower, forward of A/C Compressor Low Pressure Cut-off Switch
ABS Brake Pressure Valve Solenoid, LF	Part of Hydraulic Modulator Assembly
ABS Brake Pressure Valve Solenoid, RF	Part of Hydraulic Modulator Assembly
ABS Motor Pack	Part of Hydraulic Modulator Assembly
Air Pump Relay	In Underhood Electrical Center, Location C
Ambient Light Sensor	Mounted in top of I/P, near Defrost Grille
Antenna	Behind right rear quarter interior trim panel
Ashtray Lamp (Auto Trans)	Lighting Tube from PRNDL Lamp
Ashtray Lamp (Manual Trans)	Rearward of shifter, in ashtray
BTSI Isolation Diode	Sealed in harness, approx 6 cm from Inflatable Restraint Diagnostic Energy Reserve (with Sensor) Module (SDM) breakout
Backup Lamp Switch (M49) (V6 VIN K)	Middle of Manual Transmission, left side
Backup Lamp Switch (MM6) (V8 VIN P)	Middle of Manual Transmission, right side
Backup Lamp, LH	Mounted in Tail lamp Assembly
Backup Lamp, RH	Mounted in Taillamp Assembly
Backup Light Switch (M49) (V6 VIN K)	Middle of Transmission, left side
Backup Light Switch (MM6) (V8 VIN P)	Middle of Transmission, right side
Battery	RH front of Engine Compartment
Battery Junction Block	Top of RH shock tower
Blower Motor	Under lower RH side of I/P, mounted in HVAC Module
Blower Resistor	In HVAC Module, forward and left of Temperature Control Cable Attachment
Blower Switch	Part of HVAC Control
Body Control Module (BCM)	Mounted to HVAC Module, above RH I/P insulator panel
Brake Combo Valve (ABS)	Part of Hydraulic Modulator Assembly, inward side
Brake Switch Assembly	Mounted in lower bole of brake pedal bracket
Brake Transmission Shift Interlock (BTSI) Solenoid	In console, forward of Shift Control Lever
Cigar Lighter	Mounted on front of console
Clutch Anticipate/Cruise Release Switch (all V6 Manual)	Mounted in clutch pedal bracket (4-cavity connector)
Clutch Start Switch	Mounted to Clutch Pedal bracket
Console Compartment Lamp	Under Console Compartment Door
Convertible Top Pump Assembly	LH side rear compartment behind carpeting
Convertible Top Switch	Left side of upper console (CHEVY) or lower console (PONT)
Convertible Top Switch (Chevrolet)	Left side of upper console

Coolant Fan Relays .....	In Underhood Electrical Center, positions D, F, and J
Coolant Fans .....	Behind radiator
Courtesy Lamp, Left .....	Rear Mounted in left sail panel
Courtesy Lamp, Right .....	Rear Mounted in right sail panel
Courtesy/Reading Lamp .....	Part of center Rearview Mirror assembly
Crankshaft Position Sensor .....	Lower front cover of Engine
Cruise Control Module .....	Front LH side of vehicle, mounted to frame rail, forward of wheelhouse
Cruise Release/Brake Switch (all with K34) .....	Mounted in upper hole of brake pedal bracket (2-cavity connector)
Cruise Release/Clutch Switch (V8 Manual with K34) .....	Mounted in clutch pedal bracket (2-cavity connector)
Data Link Connector (DLC) .....	Mounted to I/P tie bar, below and right of Steering Column
Daytime Running Lamps .....	Mounted behind Radio and HVAC Controls, left of I/P (DRL) Module Compartment
Daytime Running Lamps (DRL) Module .....	Mounted behind Radio and HVAC Controls, left of I/P Compartment
Dome Lamp .....	On roof, near hatch
Door Illumination Lamp .....	Behind door trim panel
Door Jamb Switch, LH .....	Near base of LH "A" pillar
Door Jamb Switch, RH .....	Near base of RH "A" pillar
Door Lock Actuator, LH .....	Inside rear of left door
Door Lock Actuator, RH .....	Inside rear of right door
Electronic Brake/Traction Control Module (EBTCM) .....	Under I/P, next to LH hinge pillar, just above Pass-Through Grommet
Electronic Ignition Control Module (ICM) (V6 VIN K) .....	Left front LH side of Engine
Electronic Traction Control Switch (V8 VIN P) .....	Left side of Upper Console
Engine Coolant Level Indicator Sensor (V8 VIN P) .....	Mounted on upper right side of radiator
Engine Coolant Level Sensor (V8 VIN P) .....	Mounted on upper right side of radiator
Engine Coolant Temperature (ECT) Gage Sensor (V8 VIN P) .....	Left Cylinder Head, between #3 and #5 spark plugs
Engine Coolant Temperature Gage Sensor (V6 VIN K) .....	Under throttle body, front of engine
Engine Oil Pressure Indicator Switch (V6 VIN K) .....	Top RH side of Engine
Engine Oil Pressure Indicator Switch (V8 VIN P) .....	Rear top center of Engine
Evaporative Emission (EVAP) Canister Purge Solenoid Valve (V6 VIN K) .....	Front of Engine, RH side next to Injector #2
Evaporative Emission (EVAP) Canister Purge Solenoid Valve (V8 VIN P) .....	Right center of Engine, mounted to Manifold
Evaporative Emission (EVAP) Canister Purge Vacuum Switch (V6 VIN K) .....	Rear RH top of Engine; part of EVAP canister
Evaporative Emission (EVAP) Canister Purge Vacuum Switch (V8 VIN P) .....	RH top center of Intake Manifold
Exhaust Gas Recirculation (EGR) Vacuum Control Signal Solenoid Valve (V6 VIN K) .....	Front LH side of Engine, in front of Ignition Control Module
Exhaust Gas Recirculation (EGR) Vacuum Control Signal Solenoid Valve (V8 VIN P) .....	Left rear of Engine, mounted to Intake Plenum
Fog Lamp Switch .....	Lower LH side of I/P
Fog Lamp, Left Front .....	Lower LH side of front Fascia
Fog Lamp, Right Front .....	Lower RH side of front Fascia
Forward/Back Motor .....	Under Driver's Seat
Front Height Motor .....	Under Driver's Seat
Fuel Injectors (V6 VIN K) .....	Mounted on Intake Manifold, part of Fuel Rail
Fuel Injectors(V8 VIN P) .....	Mounted on Intake Manifold, part of Fuel Rail
Fuel Pump Relay .....	Forward of LH kick panel, mounted to foot rest bracket under carpet
Fuel Tank Unit .....	Under rear of vehicle
Fusible Links .....	Above RH shock tower in Battery Junction Block
Generator (V6 VIN K) .....	RH front of Engine
Generator (V8 VIN P) .....	RH front of Engine
HVAC Control .....	Center of I/P
HVAC Control Illumination Lamps .....	Part of HVAC Control
HVAC Selector Switch .....	Part of HVAC Control
Hatch Release Actuator .....	Center of end panel, in Cargo Compartment
Hatch Release Relay .....	Mounted to right side of SIR Bracket, behind I/P
Hatch Release Switch .....	Behind I/P Compartment Door
Hazard Flasher .....	Left of Steering Column, mounted to bottom of I/P Carrier
Headlamp Dimmer Switch .....	Part of Steering Column, activated by Multi-Function Lever
Headlamp Door Motor, LH .....	LH front of vehicle
Headlamp Door Motor, RH .....	RH front of vehicle
Headlamp Doors Module .....	Forward of LH front wheelhouse, mounted to Air Intake
Headlamp Switch .....	LH side of I/P
Heated Oxygen Sensor Bank #1, Sensor 1 (V8 VIN P) .....	Mounted in left Exhaust Manifold
Heated Oxygen Sensor Bank #1, Sensor 2 (V6 VIN K) .....	At front of Catalytic Converter
Heated Oxygen Sensor Bank #1, Sensor 2 (V8 VIN P) .....	At left Catalytic Converter
Heated Oxygen Sensor Bank #1, Sensor 3 (V6 VIN K) .....	At rear of Catalytic Converter
Heated Oxygen Sensor Bank #2, Sensor 1 (V6 VIN K) .....	Mounted in Right Exhaust Manifold
Heated Oxygen Sensor Bank #2, Sensor 1 (V8 VIN P) .....	Mounted in right Exhaust Manifold
Heated Oxygen Sensor Bank #2, Sensor 2 (V8 VIN P) .....	At right Catalytic Converter
Heated Oxygen Sensor Bank 1, Sensor 1 (V6 VIN K) .....	Mounted in left Exhaust Manifold

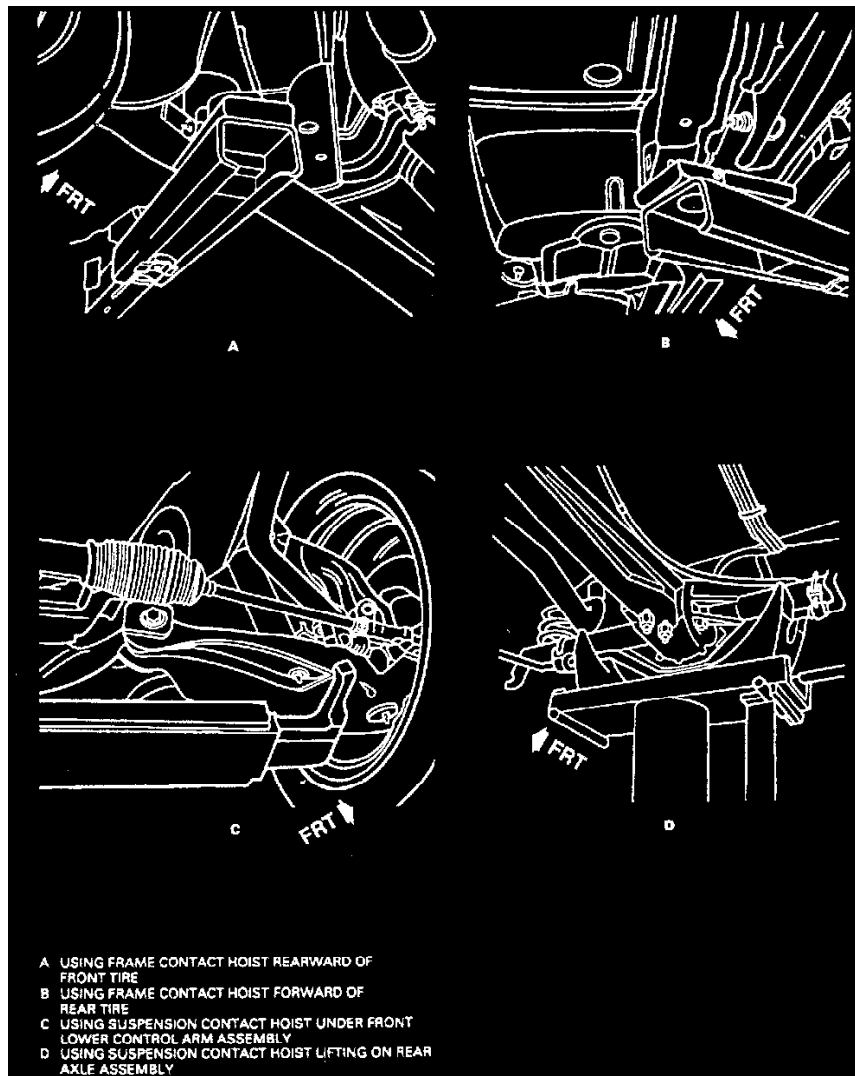
Heated Oxygen Sensor Bank 1, Sensor 1 (V8 VIN P)	At left Exhaust Manifold
Heated Oxygen Sensor Bank 1, Sensor 2 (V6 VIN K)	Mounted just forward of Catalytic Converter
Heated Oxygen Sensor Bank 1, Sensor 2 (V8 VIN P)	At left Catalytic Converter
Heated Oxygen Sensor Bank 1, Sensor 3 (V6 VIN K)	Mounted just to rear of Catalytic Converter
Heated Oxygen Sensor Bank 2, Sensor 1 (V6 VIN K)	Mounted in right Exhaust Manifold
Heated Oxygen Sensor Bank 2, Sensor 1 (V8 VIN P)	At right Exhaust Manifold
Heated Oxygen Sensor Bank 2, Sensor 2 (V8 VIN P)	At right Catalytic Converter
Heater and A/C Control Selector Switch	Part of HVAC Control
High Beam Headlamp, Left	Exterior, left front
High Beam Headlamp, Right	Exterior, right front
High Blower Relay	Under I/P, above left side of floor tunnel
High Mounted Stop Lamp (HMSL)	Rear center of Spoiler
Horn #1 (A note)	RH side, front of vehicle directly below Headlamps
Horn #2 (F note)	RH side, front of vehicle directly below Headlamps
Horn Relay	Under LH side of I/P, Mounted to the tie bar
Horn Switch	In Steering Wheel
Hydraulic Modulator Assembly	Front, LH side of Engine Compartment
I/P Carrier	On the side
I/P Compartment Lamp	Inside top center of I/P Compartment
I/P Dimmer Switch	LH side of I/P I/P Fuse Block LH side of
I/P Fuse Block	LH side of I/P Carrier, on the side
I/P Lamp Dimmer Switch	LH side of I/P
Ignition Coil (V8 VIN P)	Front LH side of Engine
Ignition Coil Module (V8 VIN P)	Front LH side of Engine
Ignition Key Lock Cylinder	Top RH side of Steering Column
Ignition Key Warning Switch	Part of Steering Column
Ignition Switch	Part of Steering Column
Inflatable Restraint Diagnostic Energy Reserve (with Sensor) Module (SDM)	Top rear of Console
Inflator Module, Driver	Mounted on Steering Wheel
Inflator Module, Passenger	Mounted on right side of I/P
Instrument Cluster	LH side of I/P
Isolation Diode (BTSI)	Sealed in Harn, approx 6 cm from Inflatable Restraint Diagnostic Energy Reserve (with sensor) Module (SDM) breakout
Isolation Diode (Wipers)	Approx 10 cm from C215 breakout, in Forward Lamp Harn
License Lamp	Center of rear Fascia, above license plate
Low Beam Headlamp, Left	Exterior, left front
Low Beam Headlamp, Right	Exterior, right front
Marker Lamp, Left	Front Exterior, left front
Marker Lamp, Left	Rear Exterior, left rear
Marker Lamp, Right	Front Exterior, right front
Marker Lamp, Right	Rear Exterior, right rear
Mass Air Flow (MAF) Sensor	Mounted on air duct, in front of Intake Manifold
Multi-Function Lever	Left Arm on Steering Column
Oil Level Sensor	Lower left side of Engine, in oil pan
Oil Pressure Sensor (V6 VIN K)	Top RH side of Engine
Oil Pressure Sensor (V8 VIN P)	Rear top center of Engine
Outside Mirror, LH	LH front door
Outside Mirror, RH	RH front door
Outside Remote Control Rearview Mirror Select Switch	Mounted in left door armrest
PRNDL Illumination Lamp	Upper console, left of Shifter
PRNDL Illumination Lamp (Auto Trans)	Under console, left of Shifter
Park Brake Switch	In console, at base of Park Brake Lever
Park Lamp Relay	Under center of I/P, attached to Passenger Inflator Module Bracket
Park/Turn Lamp, Left	Front Exterior, left front
Park/Turn Lamp, Right	Front Exterior, right front
Power Antenna Assembly RH	Right quarter, behind interior trim panel
Power Antenna, Radio	RH rear quarter, behind interior trim panel
Power Door Lock Switch, LH	Mounted in left door armrest
Power Door Lock Switch, RH	Mounted in right door armrest
Power Mirror Switch	Mounted in left door armrest
Power Seat Actuator Assembly	Under Driver's Seat
Power Seat Control Module (AQ9)	Under Driver's Seat
Power Seat Switch, Passenger (AQ9)	On right side of Passenger Seat
Power Window Control Module	Mounted to center of dash mat, above floor tunnel
Power Window Switch, LH	Mounted in left door armrest
Power Window Switch, RH	Mounted in right door armrest
Powertrain Control Module (PCM) (V6 VIN K)	In Engine Compartment, rear of RH shock tower

Powertrain Control Module (PCM) (V8 VIN P)	In Engine Compartment, rear of RH shock tower
Pump Assembly	Under Driver's Seat
Radio	Center of I/P Carrier
Rear Compartment Lamp	Center of rear compartment below Hatch Release Actuator
Rear Compartment Lid Ajar Indicator Switch	Part of Rear Compartment Lid Latch
Rear Compartment Lid Release Switch	Behind I/P Compartment Door
Rear Defogger Grid	Mounted on rear windshield
Rear Defogger Switch/Timer	Mounted on I/P knee bolster, right of Steering Column
Rear Defogger Timer/Relay	Part of HVAC Assembly
Rear Dome Light Switch	Center of end panel, in Cargo Compartment
Rear Height Motor	Under Driver's Seat
Rear Window Defog Switch/Timer (Chevrolet)	Mounted on I/P knee holster, right of Steering Column
Rearview Mirror	Top center of windshield
Reverse Lockout Solenoid (V8 VIN P Manual)	Rear LH side of Transmission
SIR Coil Assembly	Top of Steering Column
Seat Belt Switch	Part of Driver's Seat Buckle Assembly
Secondary Air Injection Pump Assembly (V8 VIN P)	Front LH Frame Rail, in Engine Compartment
Secondary Air Injection Pump Solenoid Bleed Valve	Front LH lower side of Engine, mounted just forward of Secondary Air Injection Pump Assembly
Security Indicator LED	Top center of I/P
Selector Switch	Part of HVAC Control
Skip Shift Solenoid (V8 VIN P Manual)	Center LH side of Transmission
Solenoid Valve Assembly	Under Driver's Seat
Speaker, Left Front (Base-UQO, U62) (Chevrolet), (W51, W32, W53, W57 Entertainment Systems) (Pontiac)	Mounted in left door
Speaker, Left Front Midrange (with UW2, UW6 Speakers) (Chevrolet), (W54, W55, W56 Entertainment Systems) (Pontiac)	Mounted in left door
Speaker, Left Front Tweeter (with UW2, UW6 Speakers) (Chevrolet), (W54, W55, W56 Entertainment Systems) (Pontiac)	Mounted in left door
Speaker, Left Rear (Base-UQO, U62, UW6) (Chevrolet), (W51, W52, W53, W54, W55, W56, W57 Entertainment Systems) (Pontiac)	Mounted in left sail panel
Speaker, Left Rear Subwoofer (with UW2, U63 Speakers) (Chevrolet), (W54, W55, W56 Entertainment Systems) (Pontiac)	Mounted in sail panel
Speaker, Right Front (Base-UQO, U62) (Chevrolet), (W51, W52, W53, W57 Entertainment Systems) (Pontiac)	Mounted in right door
Speaker, Right Front Midrange (with UW2, UW6, Speakers) (Chevrolet), (W54, W55, W56 Entertainment Systems) (Pontiac)	Mounted in right door
Speaker, Right Front Tweeter (with UW2, UW6 Speakers) (Chevrolet), (W54, W55, W56 Entertainment Systems) (Pontiac)	Mounted in right door
Speaker, Right Rear (Base-UQO, U62, UW6 Speakers) (Chevrolet), (W51, W52, W53, W54, W55, W56, W57 Entertainment Systems) (Pontiac)	Mounted in right sail panel
Speaker, Right Rear Subwoofer (with UW2, U65 Speakers) (Chevrolet), (W54, W55, W56 Entertainment Systems) (Pontiac)	Mounted in right sail panel
Speaker/Amp Assembly, Rear	Mounted in left rear Cargo Compartment trim
Speaker/Amp, Left	Front (BOSE) Mounted in left door
Speaker/Amp, Rear (BOSE)	Mounted in left rear side quarter panel
Speaker/Amp, Right Front (BOSE)	Mounted in right door
Starter Motor	Bottom of RH side of Engine
Starter Solenoid	Bottom of RH side of Engine, above Starter Motor
Starter Solenoid Switch	Mounted above Starter Motor, bottom RH side of Engine
Steering Wheel Controls	On Steering Wheel
Steering Wheel Controls, Radio (UK3)	On Steering Wheel
Steering Wheel Inflatable Restraint (SIR) Coil Assembly	Top of Steering Column
TCS Adjuster Motor Assembly	Top left side of Intake Manifold
Tail/Stop/Turn Lamp, RH	Exterior, right rear
Tail lamp, LH Inboard	Exterior, left rear
Tail lamp, LH Outboard	Exterior, left rear
Tail/Stop/Turn Lamp, LH	Exterior, left rear
Tail/Stop/Turn Lamp, RH Tail/Stop/Turn Lamp, LH	Exterior, left rear
Taillamp, LH Inboard	Exterior, left rear
Taillamp, LH Outboard	Exterior, left rear
Taillamp, RH Inboard	Exterior, right rear
Taillamp, RH Outboard	Exterior, right rear
Theft Deterrent Relay	Behind RH side of I/P, RH side of I/P Compartment
Theft Deterrent Security LED	Top center of I/P
Theft Deterrent Shock Sensor	Mounted in right rear quarter panel, on back side of right near wheelwell
Traction Control Motor Pack	Mounted to left front frame rail, below Hydraulic Modulator
Traction Control Switch	Left side of upper console
Traction Control Switch, Electronic (V8 VIN P)	Left side of upper console

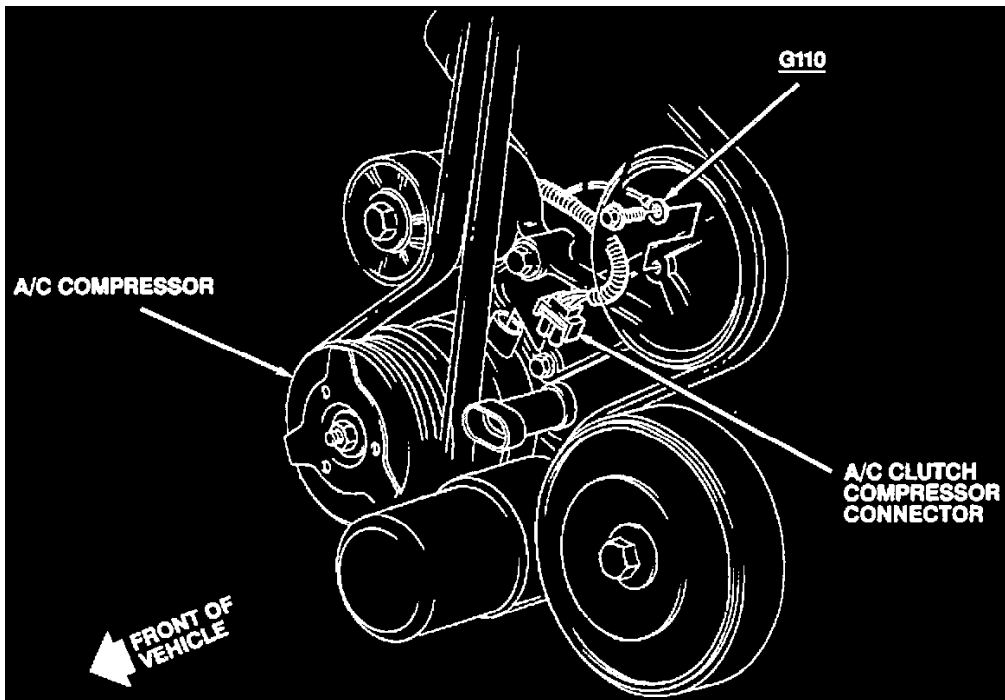


Transmission Range Switch .....	Under Console, on base of Shift Control Lever
Turn Flasher .....	Mounted to bracket, right of Steering Column, above Data Link Connector (DLC)
Turn/Hazard Switch Assembly .....	Part of Steering Column
Underhood Electrical Center .....	LH side of Engine Compartment, forward of shock tower
Washer Pump Motor .....	Front of vehicle, below Engine Hood Latch
Wheel Speed Sensor, Left Front .....	Middle of left front steering knuckle
Wheel Speed Sensor, Left Rear .....	Mounted to rear backing plate of wheel disc
Wheel Speed Sensor, Rear (w/o NW9) .....	Top of Rear Differential
Wheel Speed Sensor, Right Front .....	Middle of right front steering knuckle
Wheel Speed Sensor, Right Rear .....	Mounted to rear backing plate of wheel disc
Window Motor, LH .....	Inside LH door
Window Motor, RH .....	Inside RH door
Wiper Motor Assembly .....	Rear of LH shock tower, mounted to dash panel below LH Wiper Mount
Wiper/Washer Switch Assembly .....	In left side of Steering Column, actuated by Multi-Function Lever
Heated Oxygen Sensor Bank #1, Sensor 1 (V6 VIN K) .....	Mounted in left Exhaust Manifold

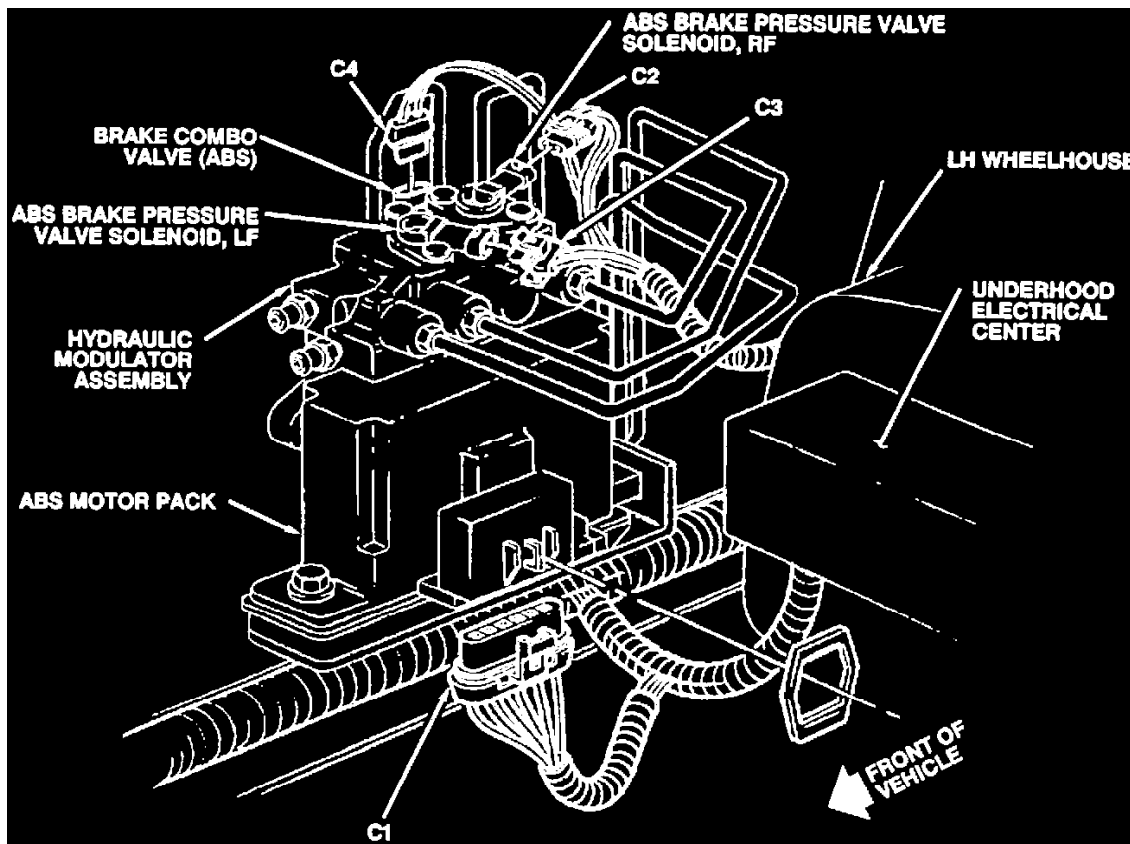
## Vehicle Lift Points



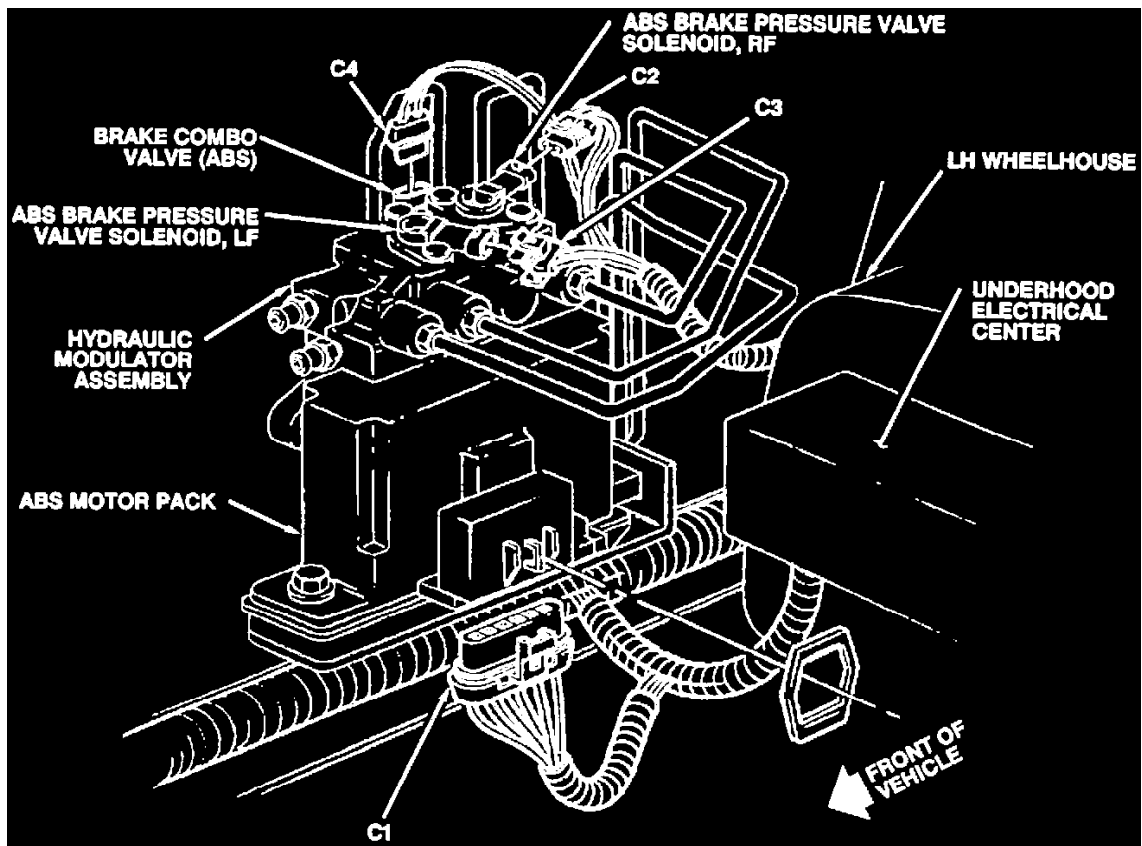
Vehicle Lift Points



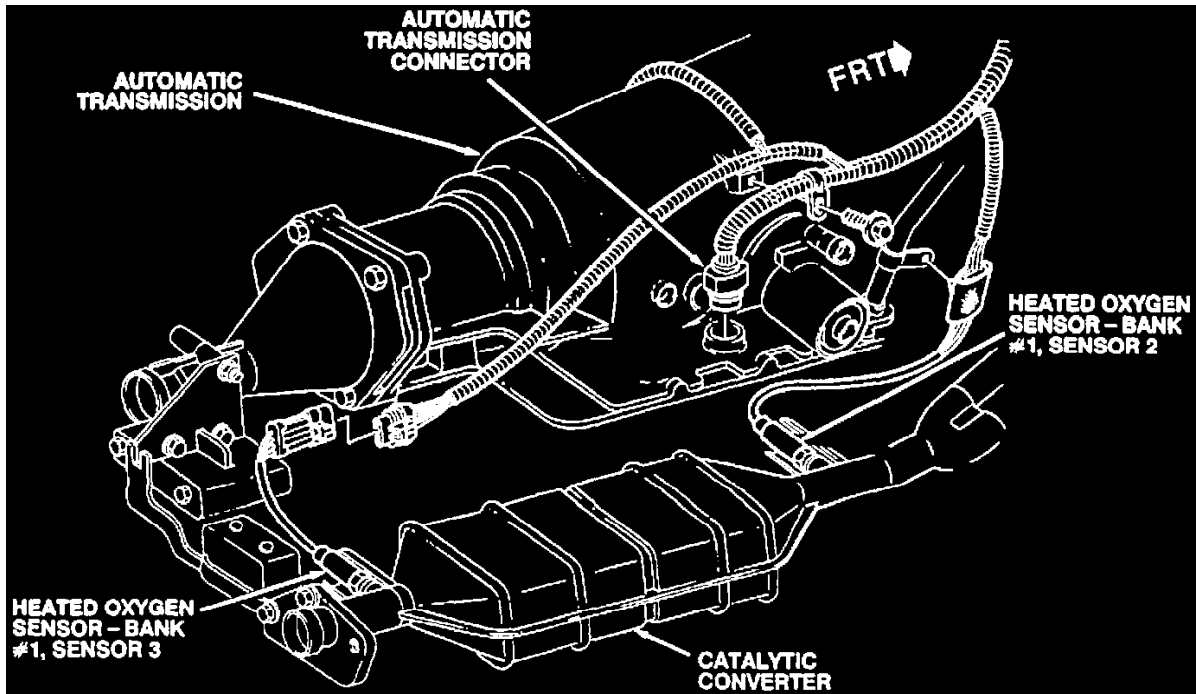
Front RH Side Of Engine



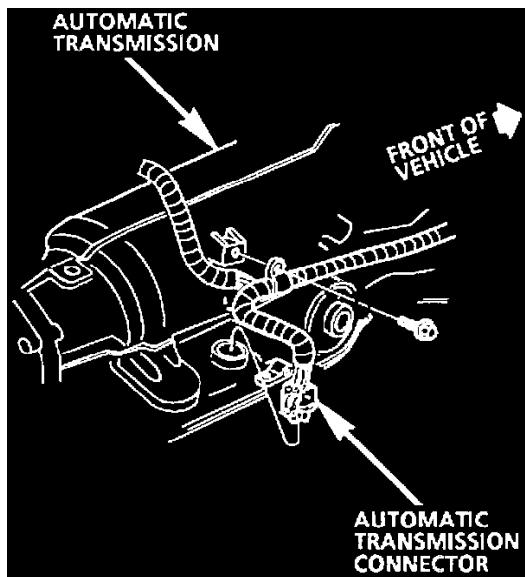
Front LH Side Of Engine Compartment



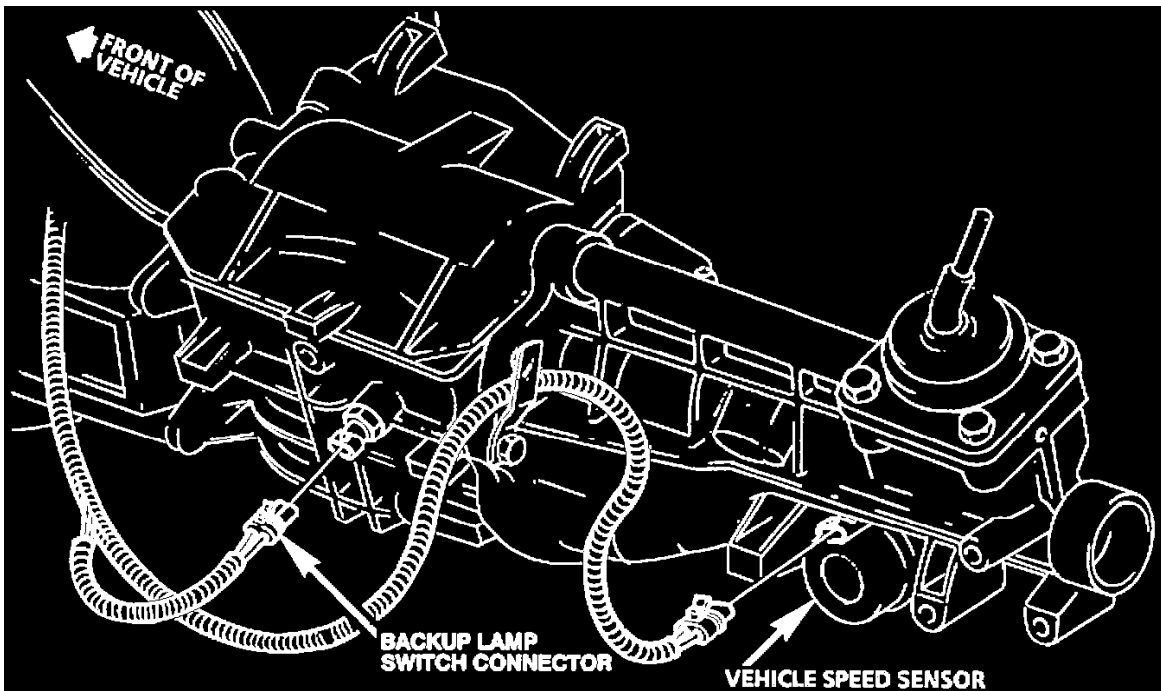
Front LH Side Of Engine Compartment



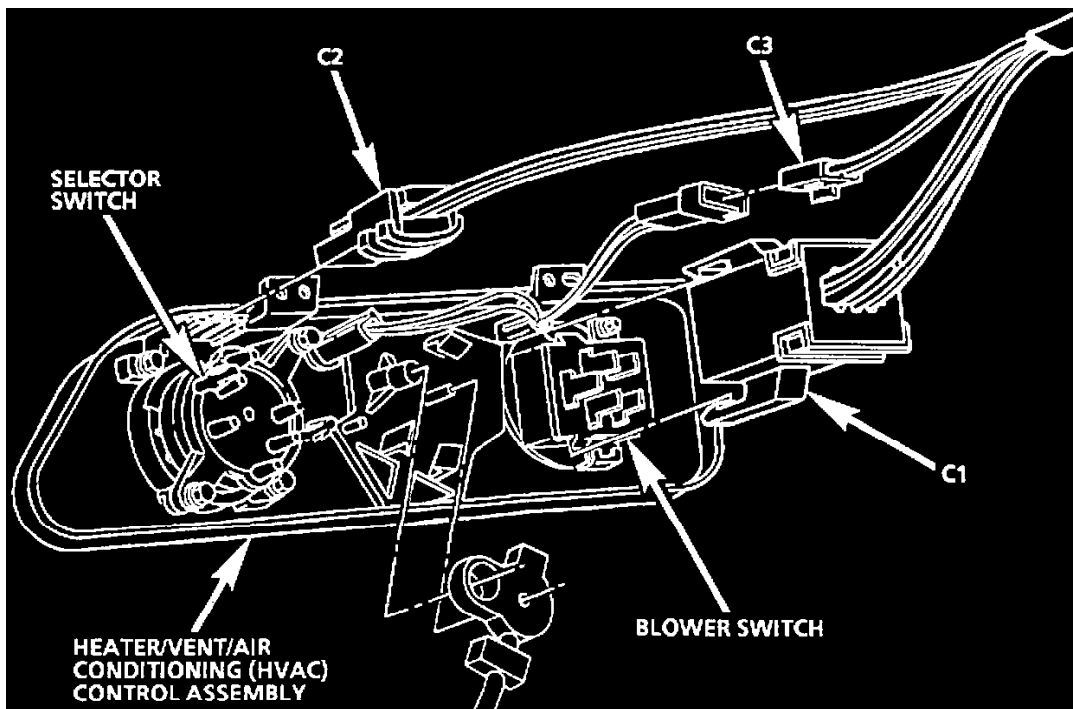
RH Side Of Automatic Transmission



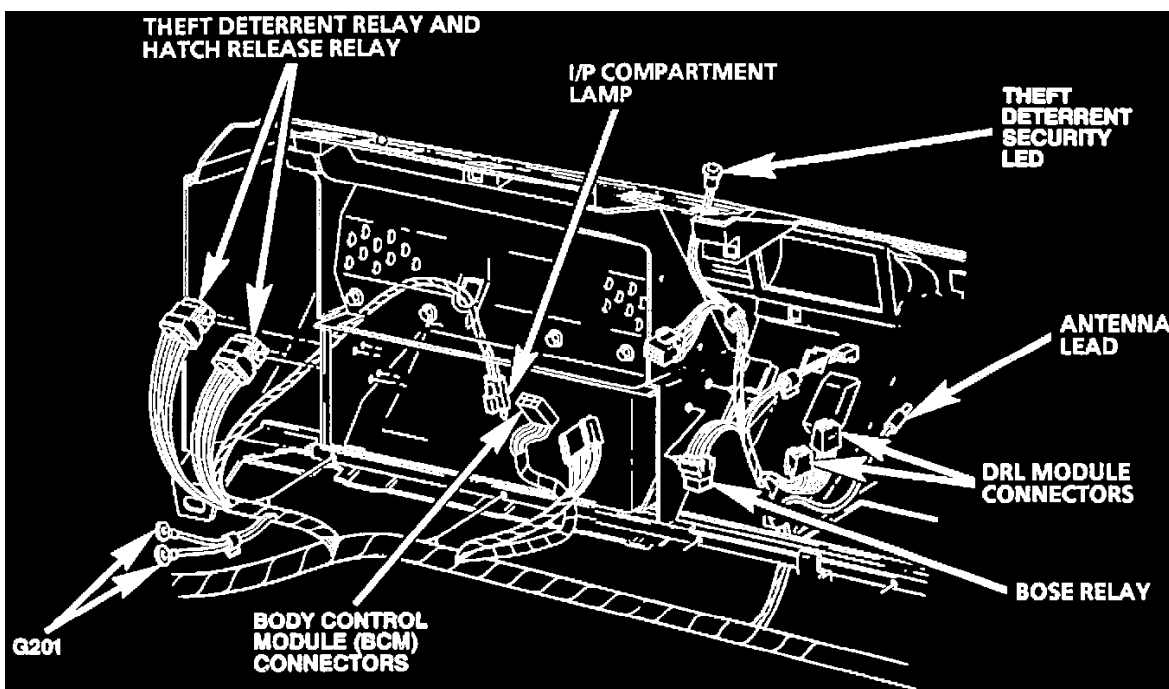
RH Side Of Automatic Transmission (M30)



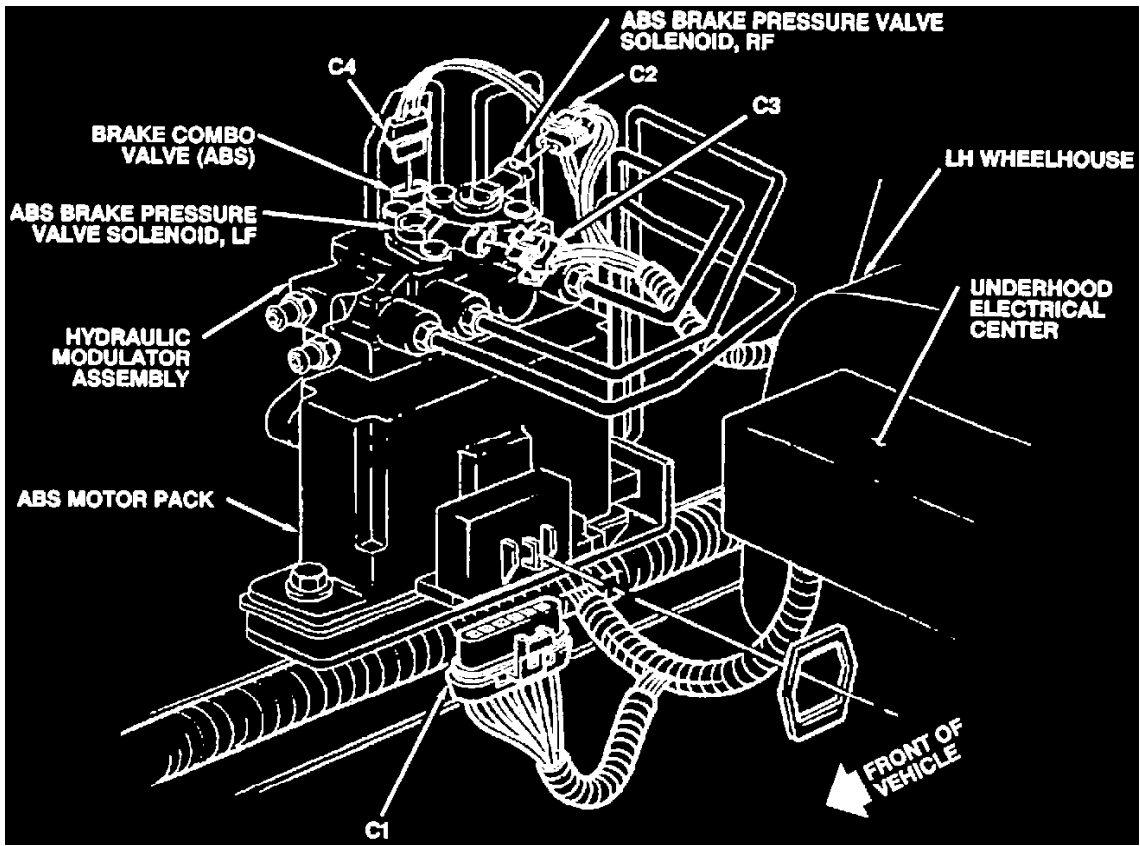
LH Side Of Manual Transmission (M49)



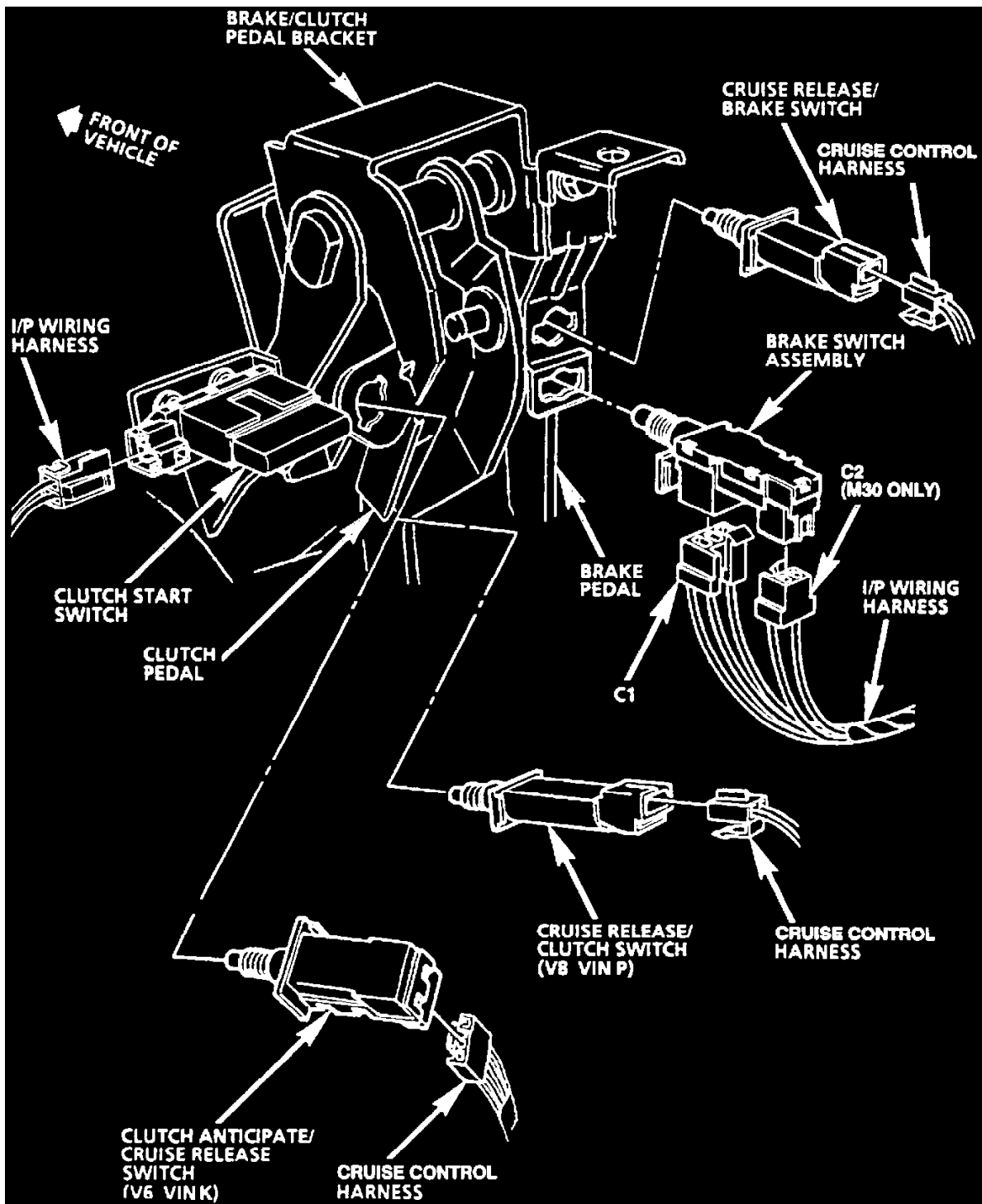
Center Of I/P



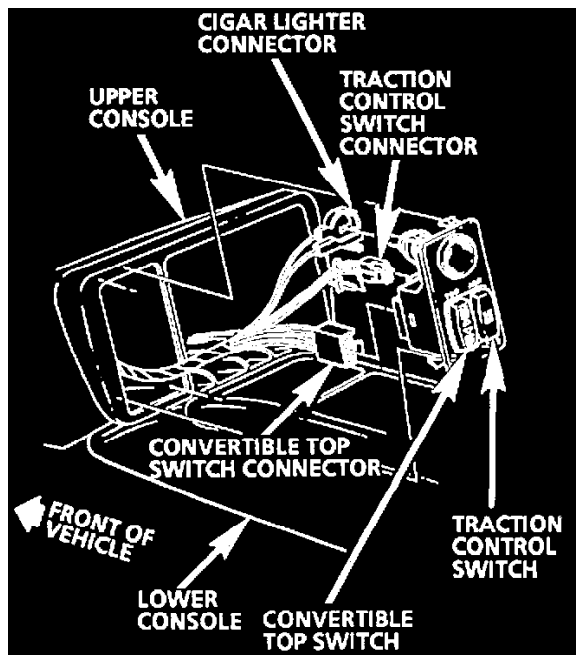
Behind RH Side Of I/P



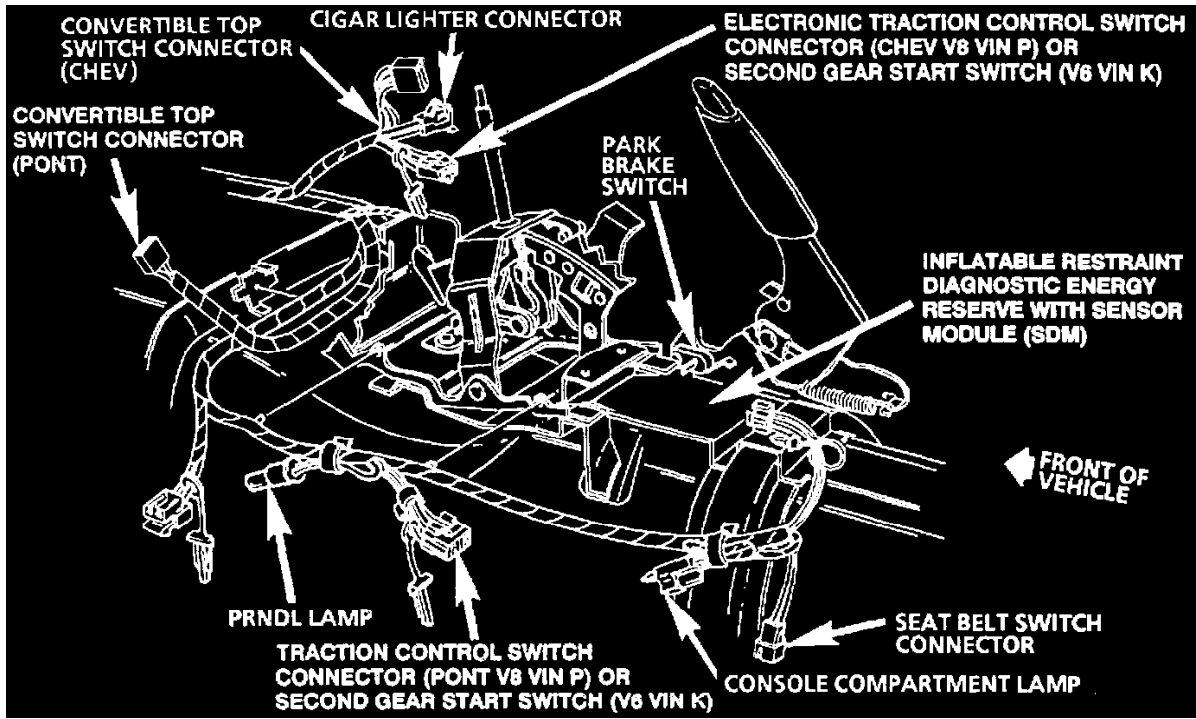
Front LH Side Of Engine Compartment



Under LH Side Of I/P

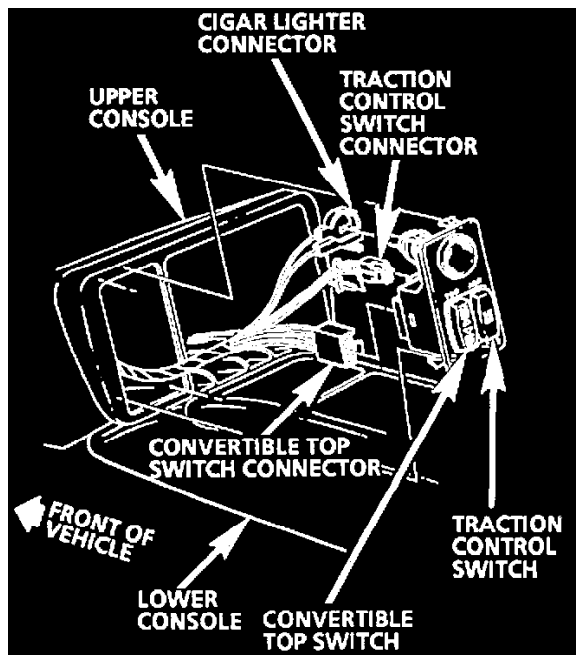


Left Side Of Upper Console

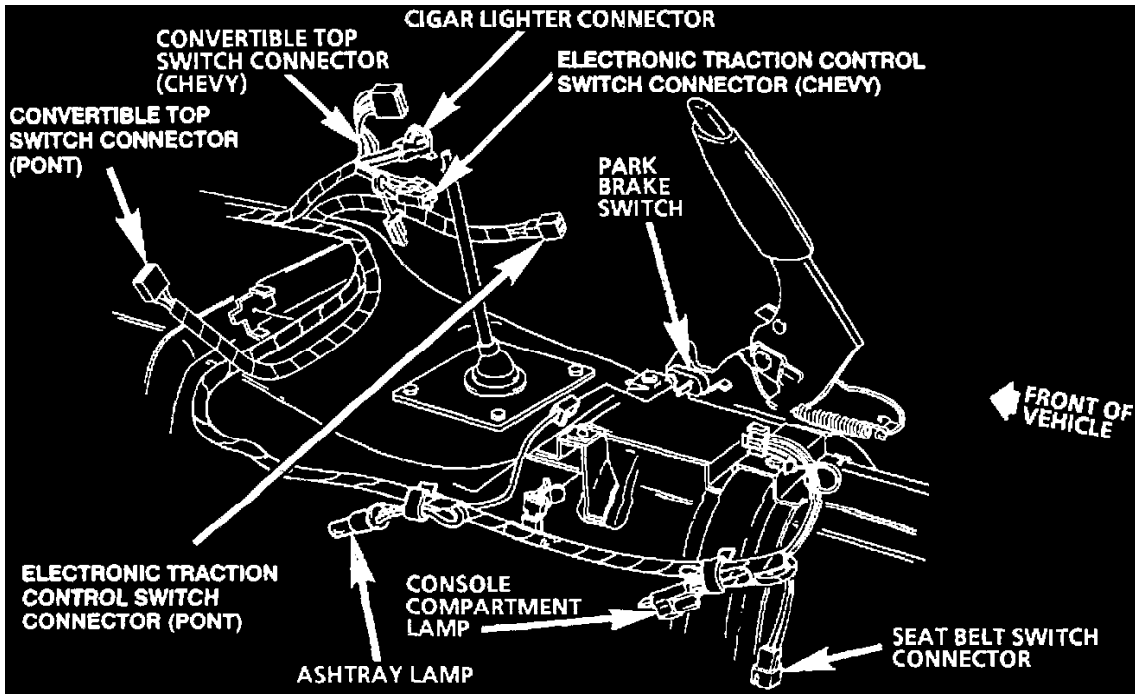


LH Side, Under Console - Automatic (M30)

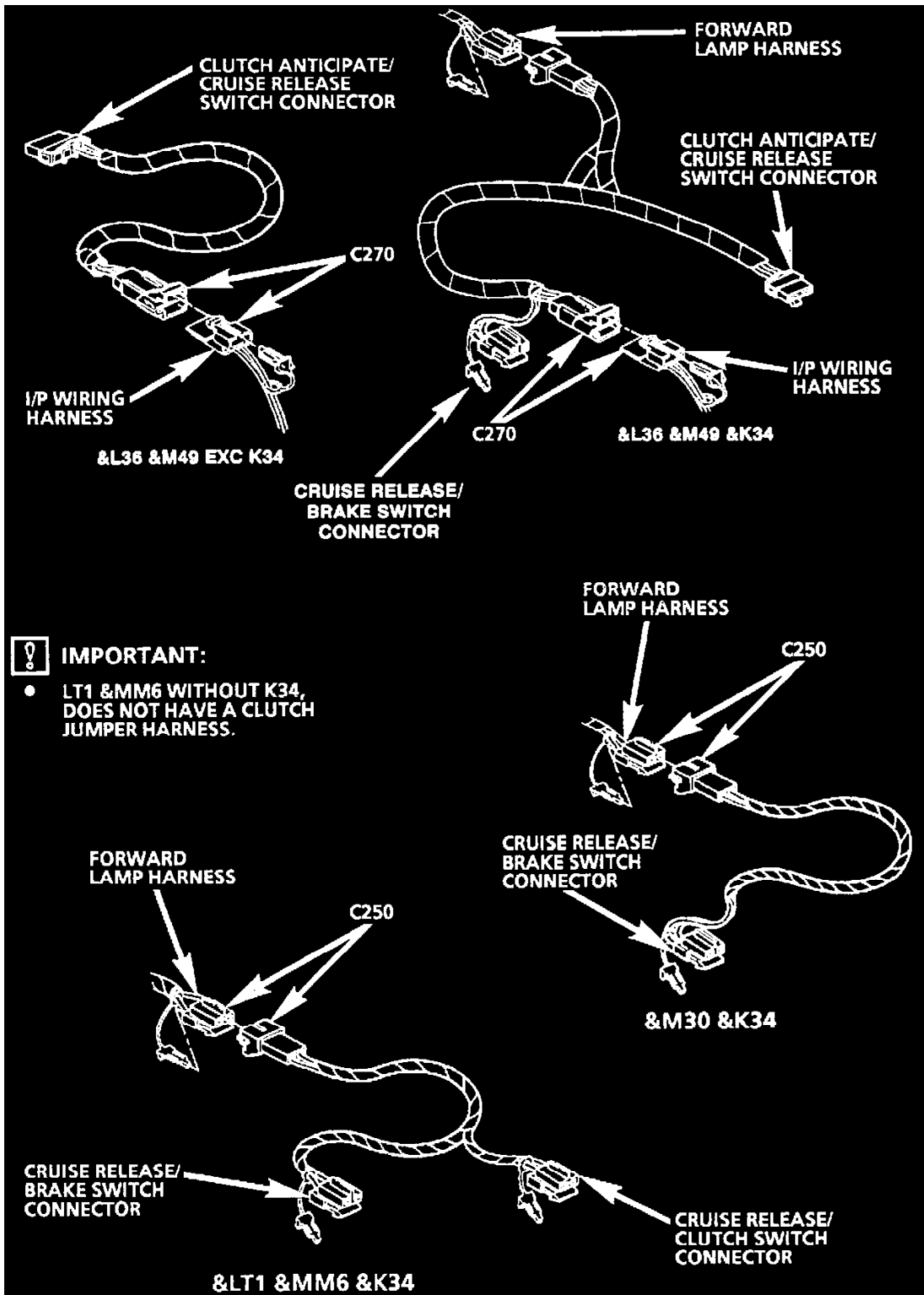




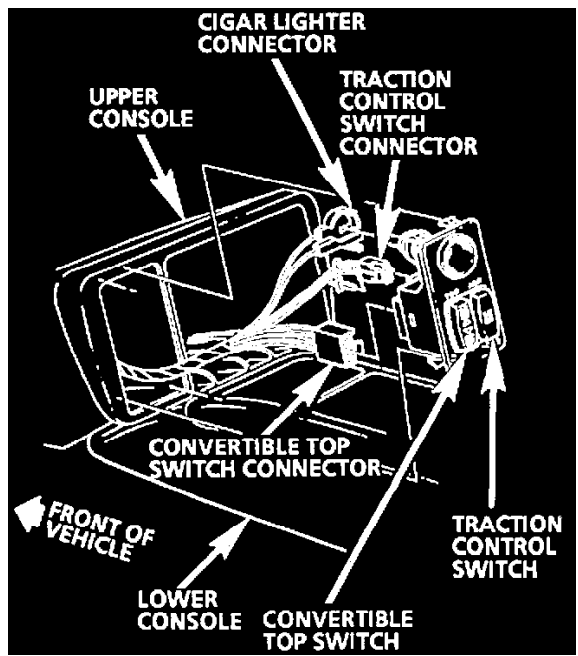
Left Side Of Upper Console



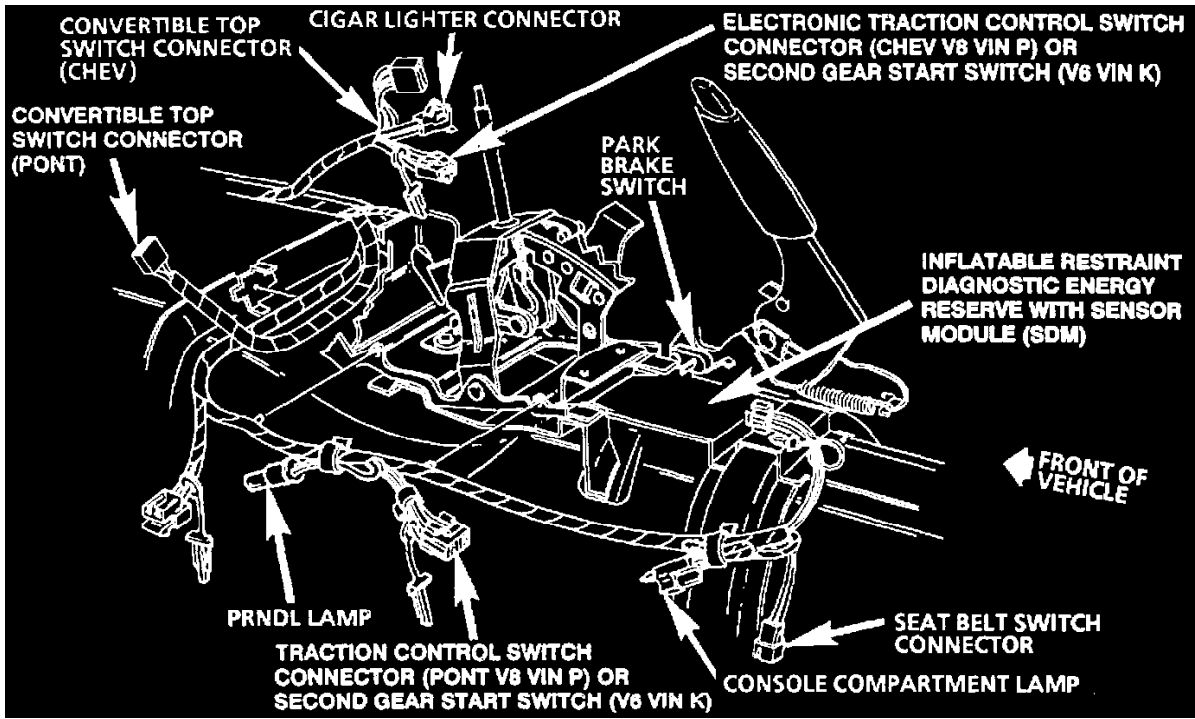
LH Side, Under Console - Manual (M49 Or MM6)



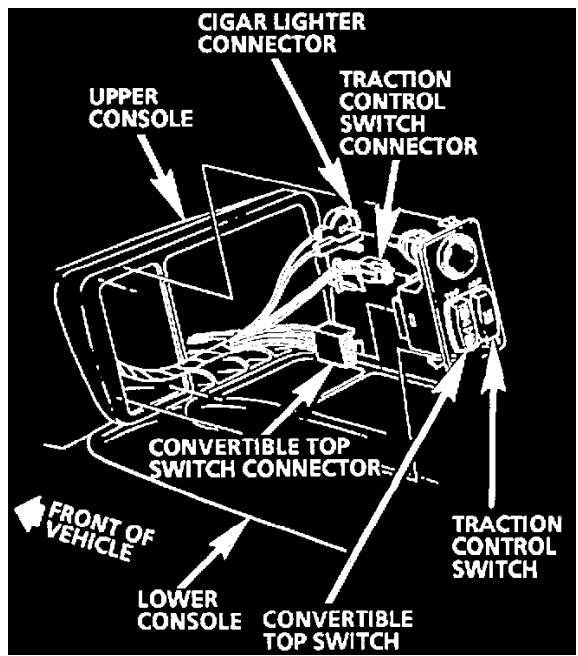
Clutch Jumper Harness Combinations - Manual (M49 Or MM6)



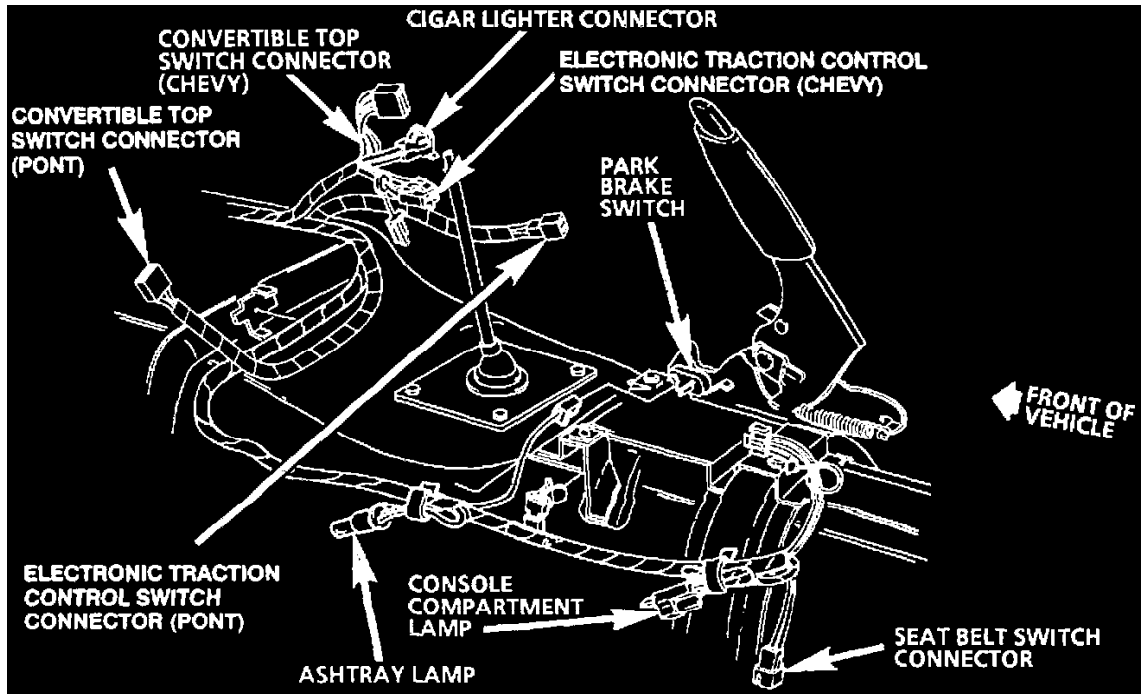
Left Side Of Upper Console



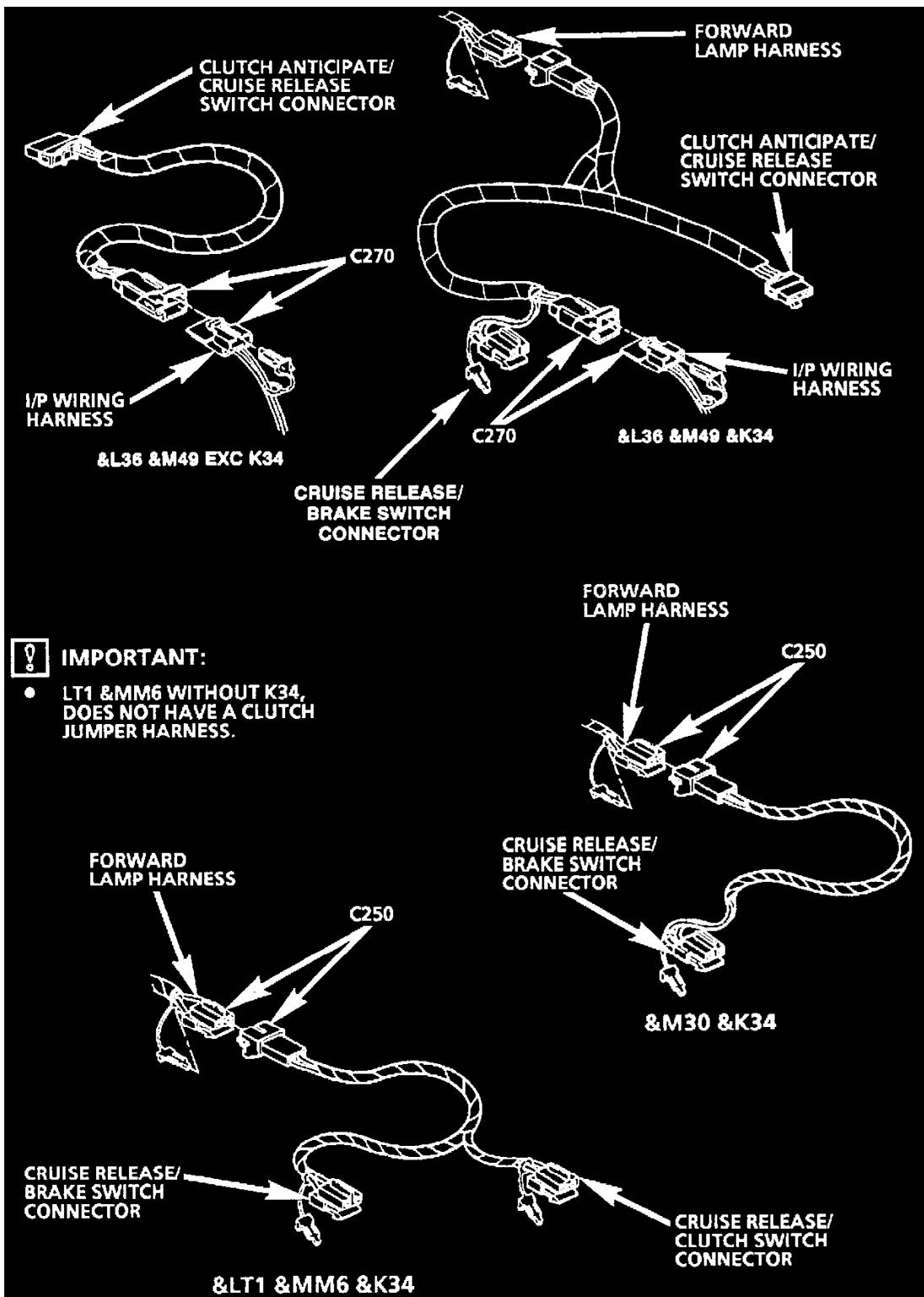
LH Side, Under Console - Automatic (M30)



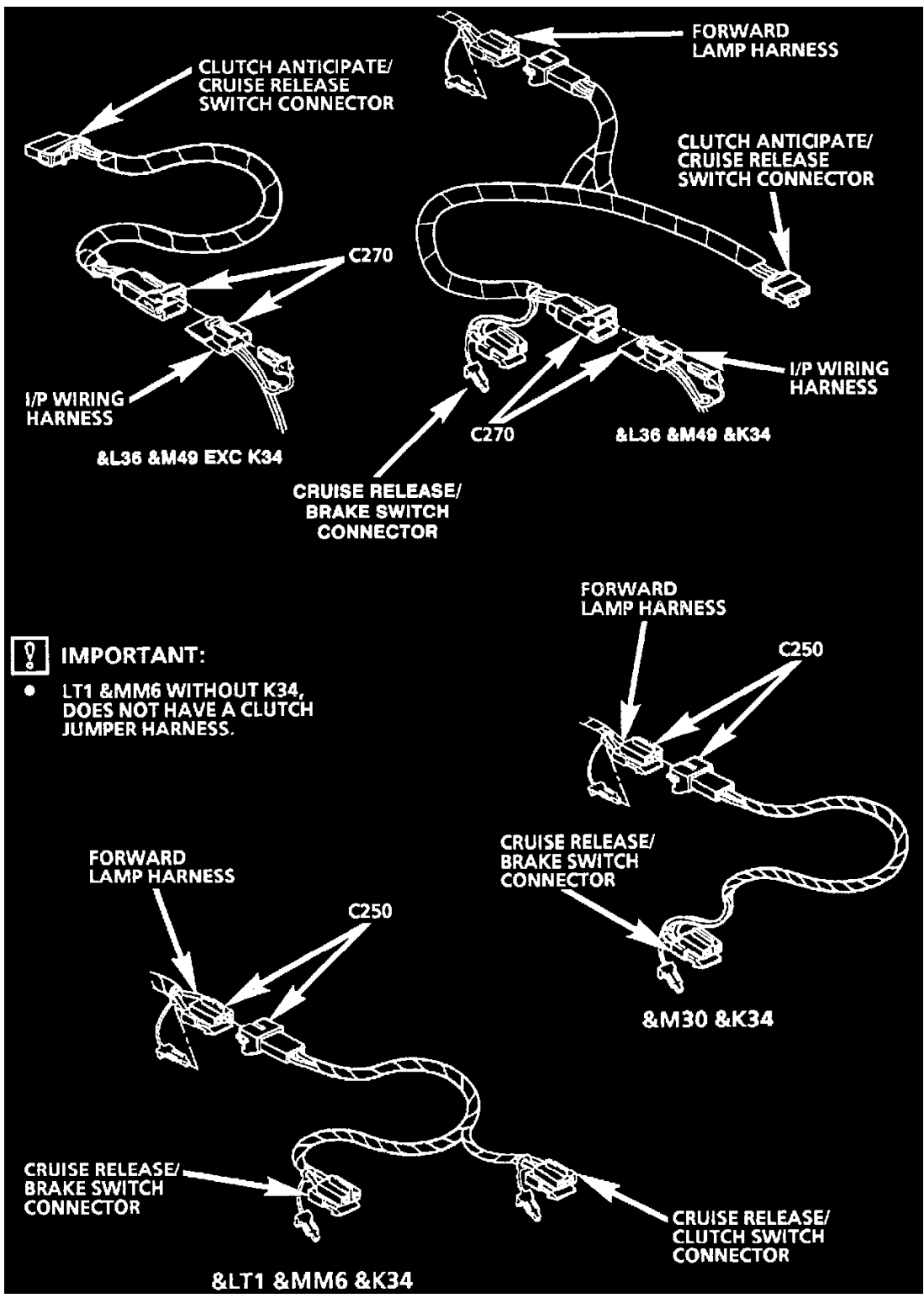
Left Side Of Upper Console



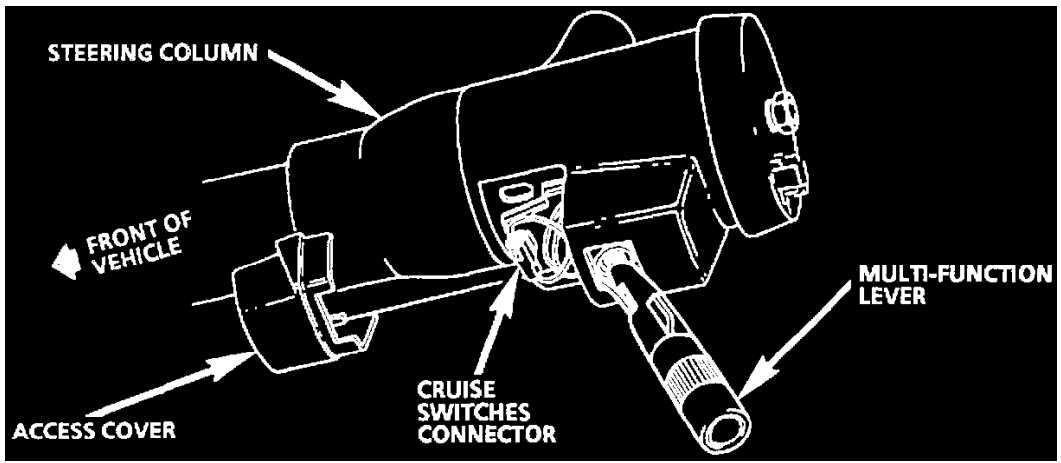
LH Side, Under Console - Manual (M49 Or MM6)



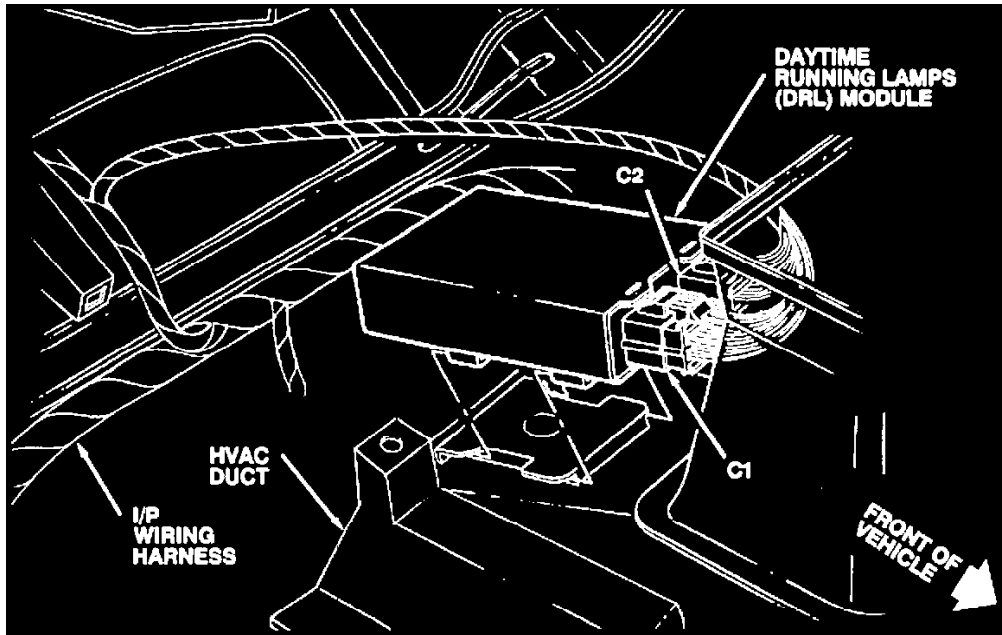
Clutch Jumper Harness Combinations - Manual (M49 Or MM6)



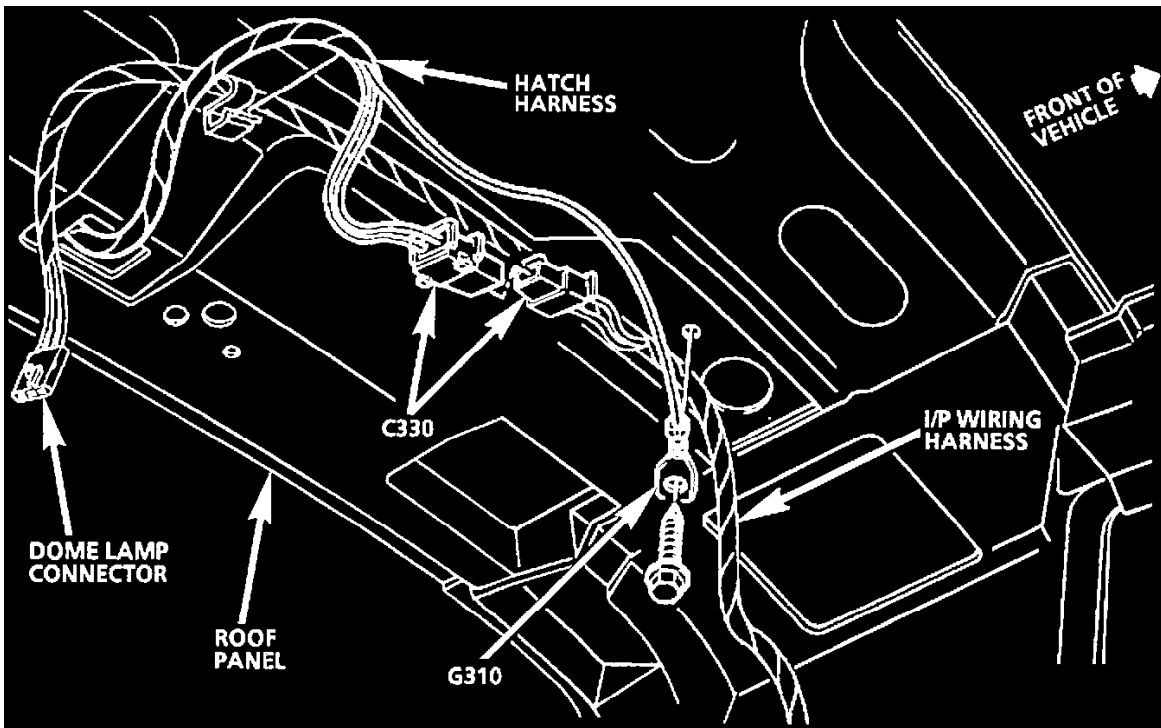
Clutch Jumper Harness Combinations - Manual (M49 Or MM6)



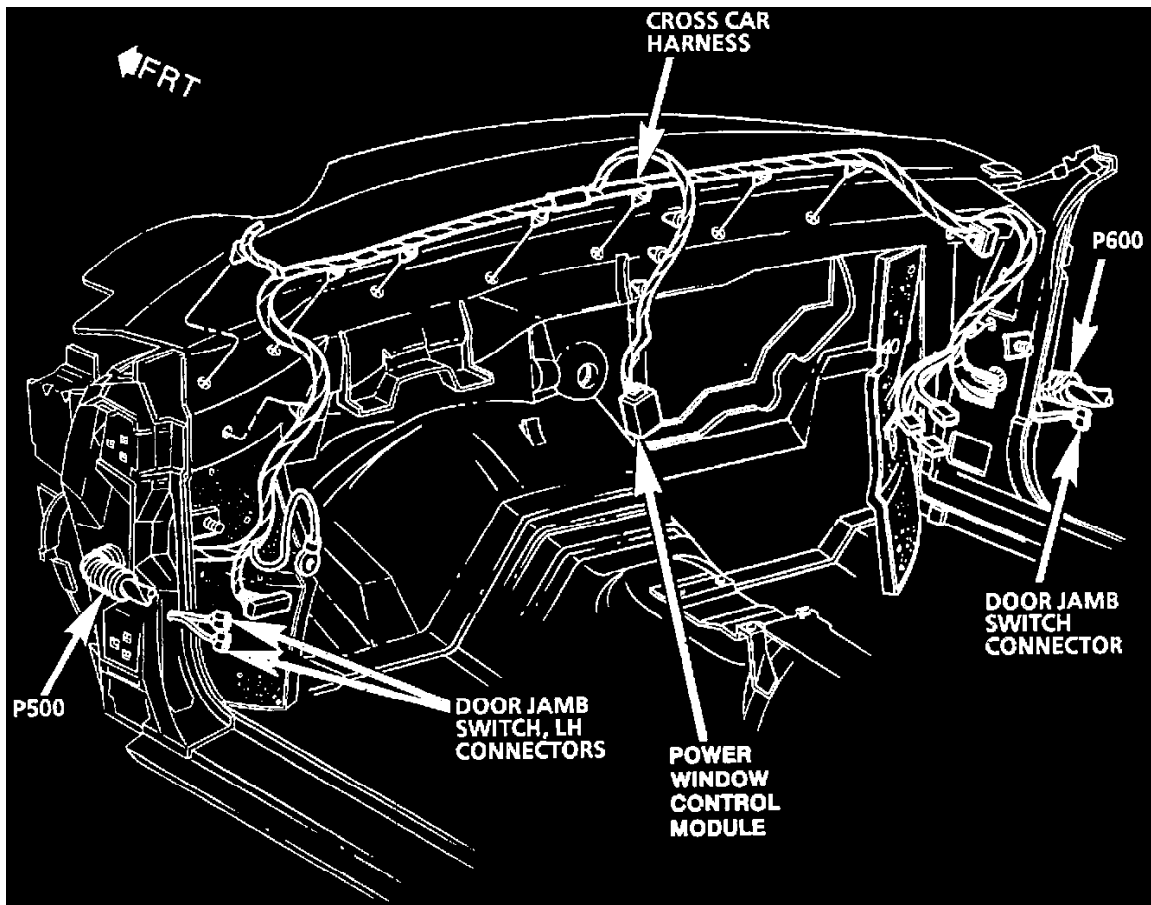
Steering Column



Under Center Of I/P

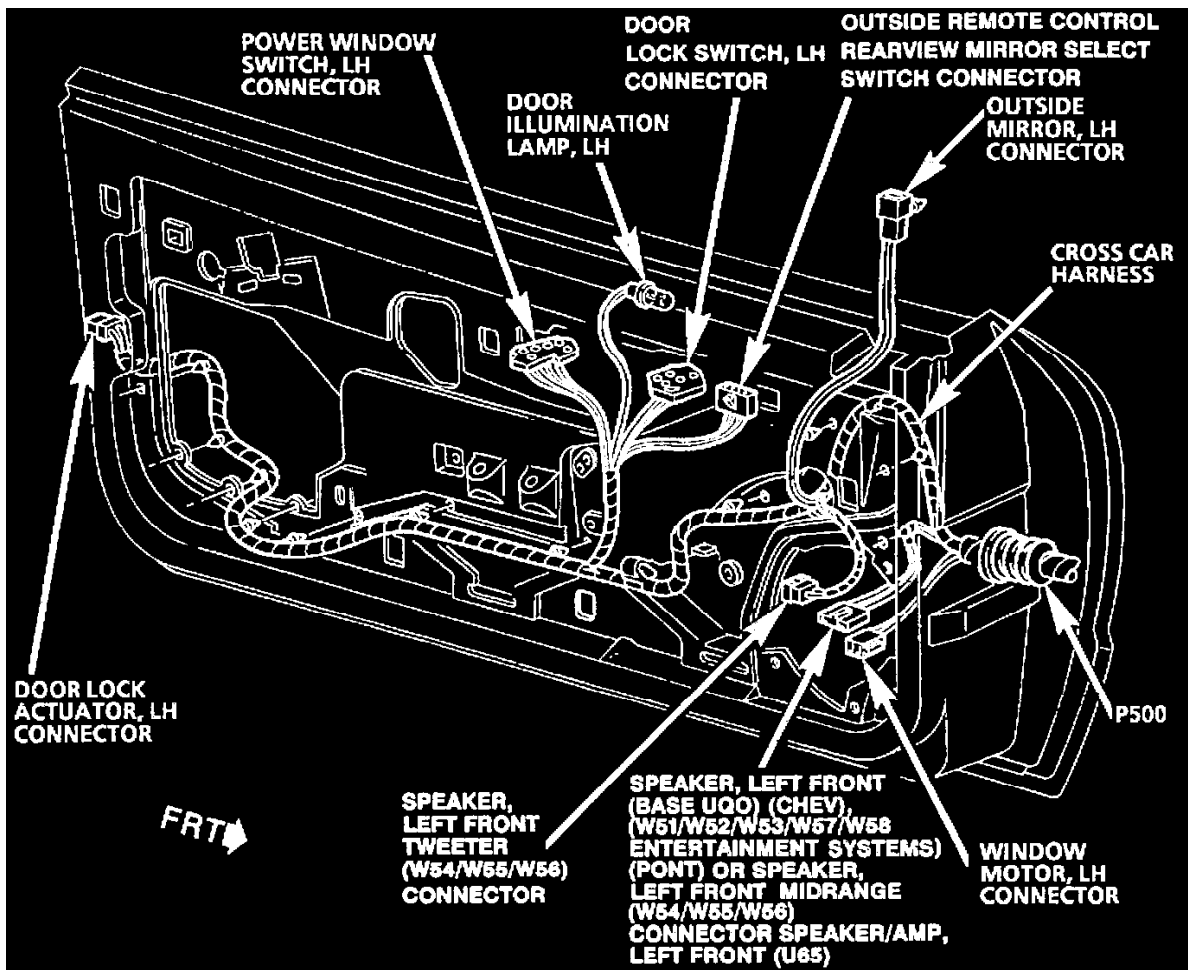


Center Rear On Roof Panel (Coupe)

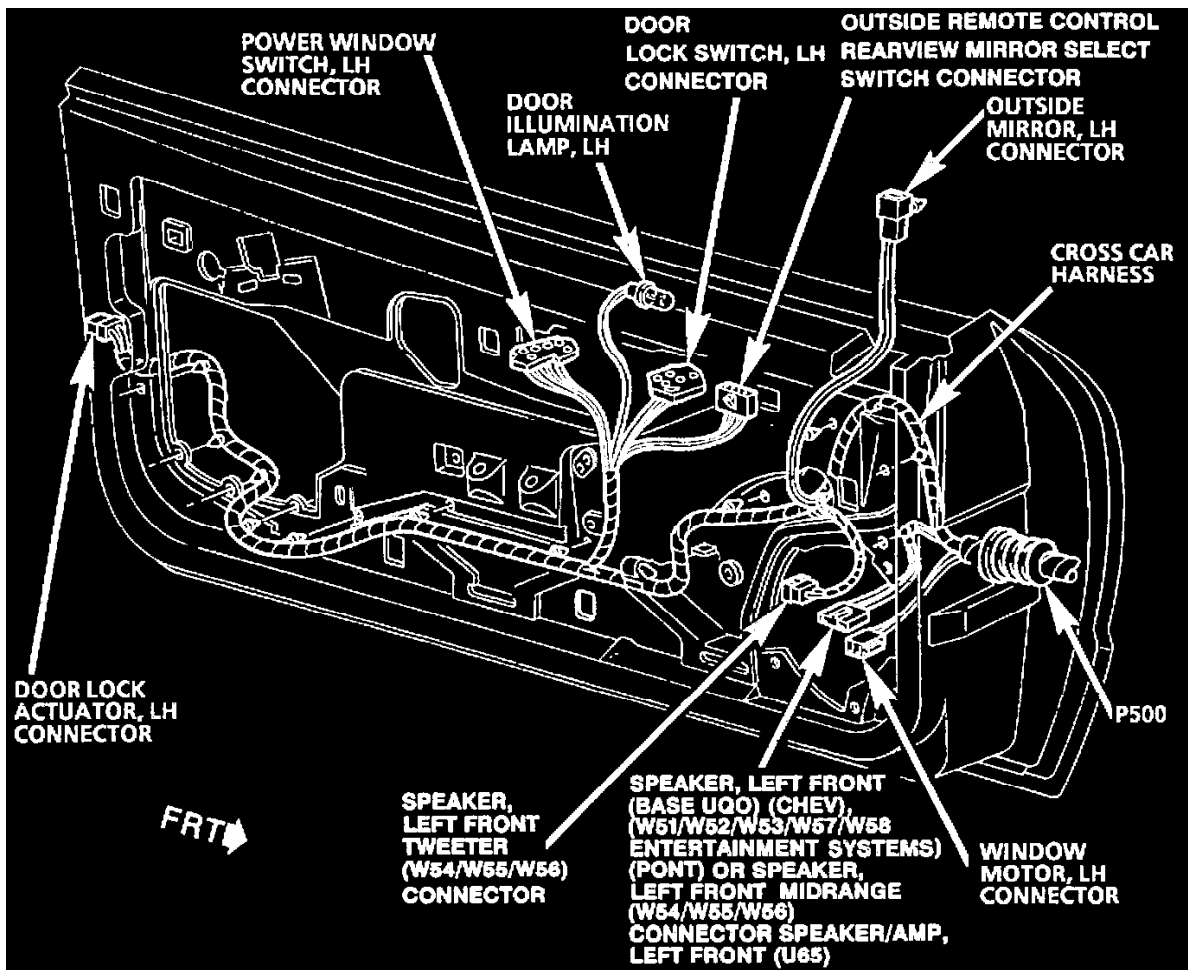


Dash Panel With Cross Car Harness

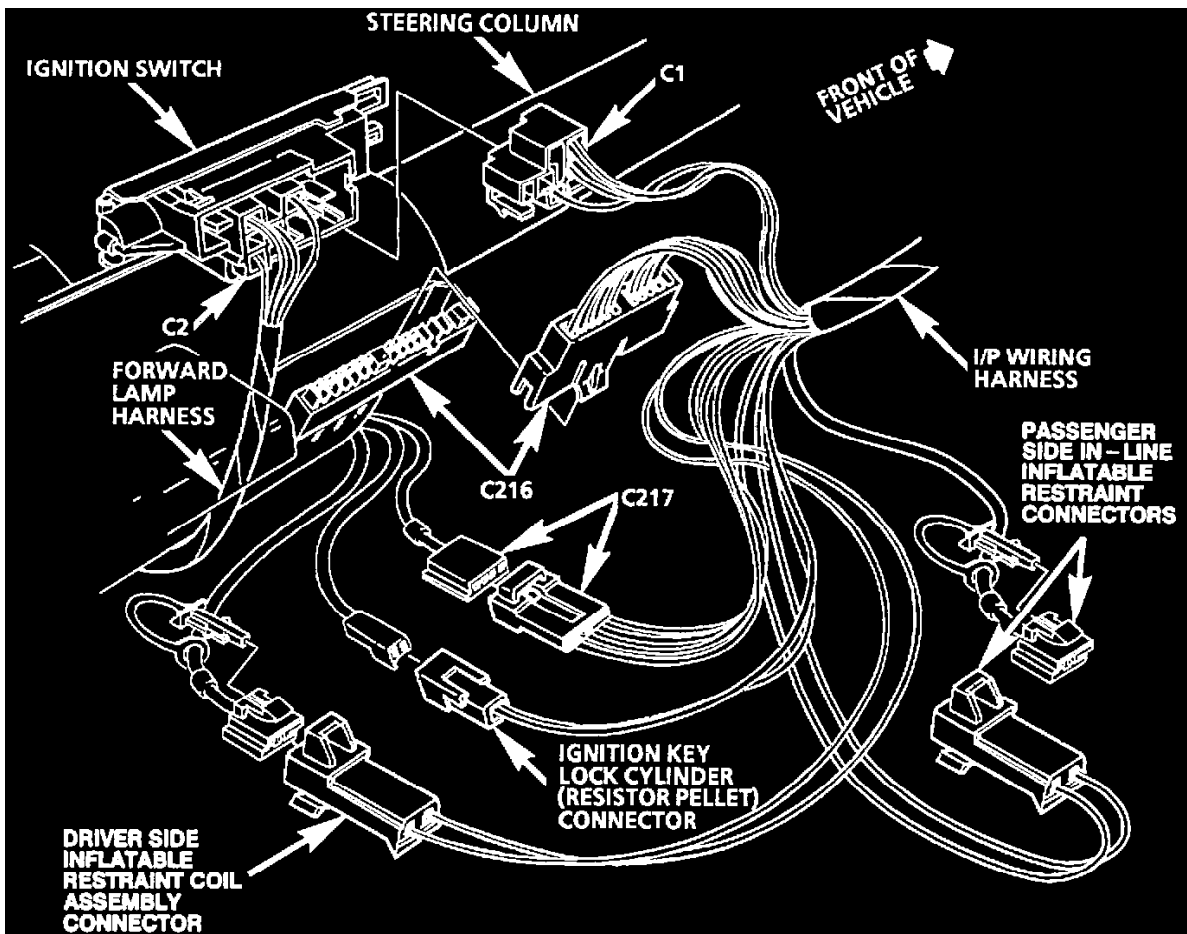




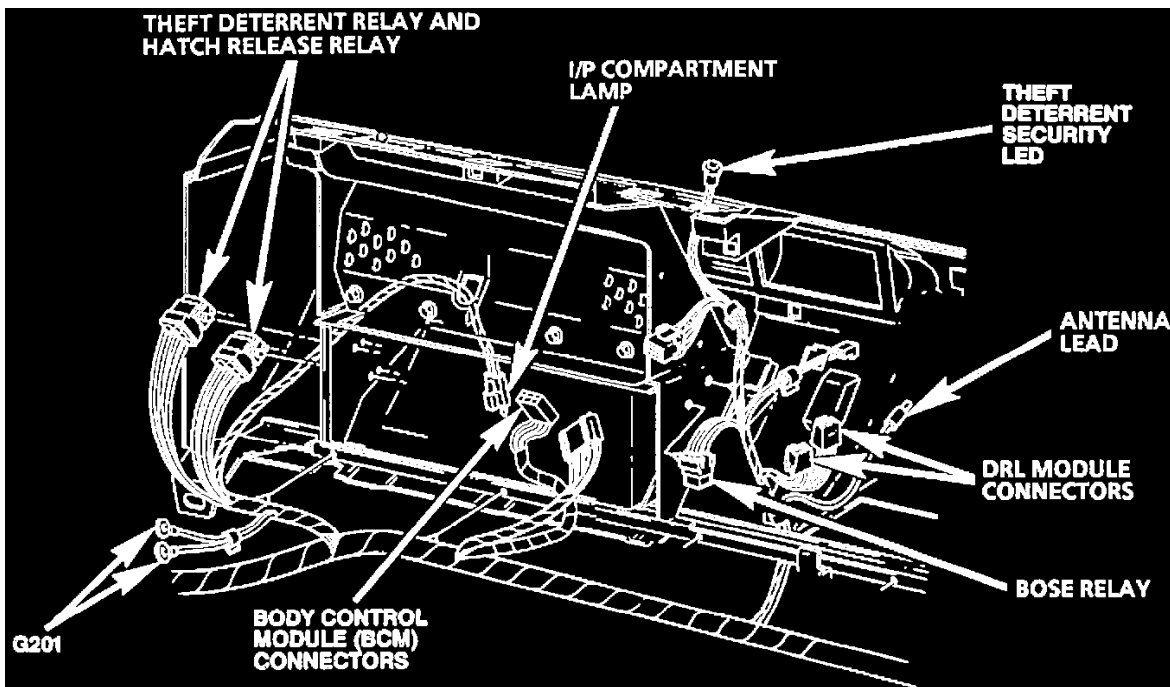
Behind LH Door Trim (RH Door Similar)



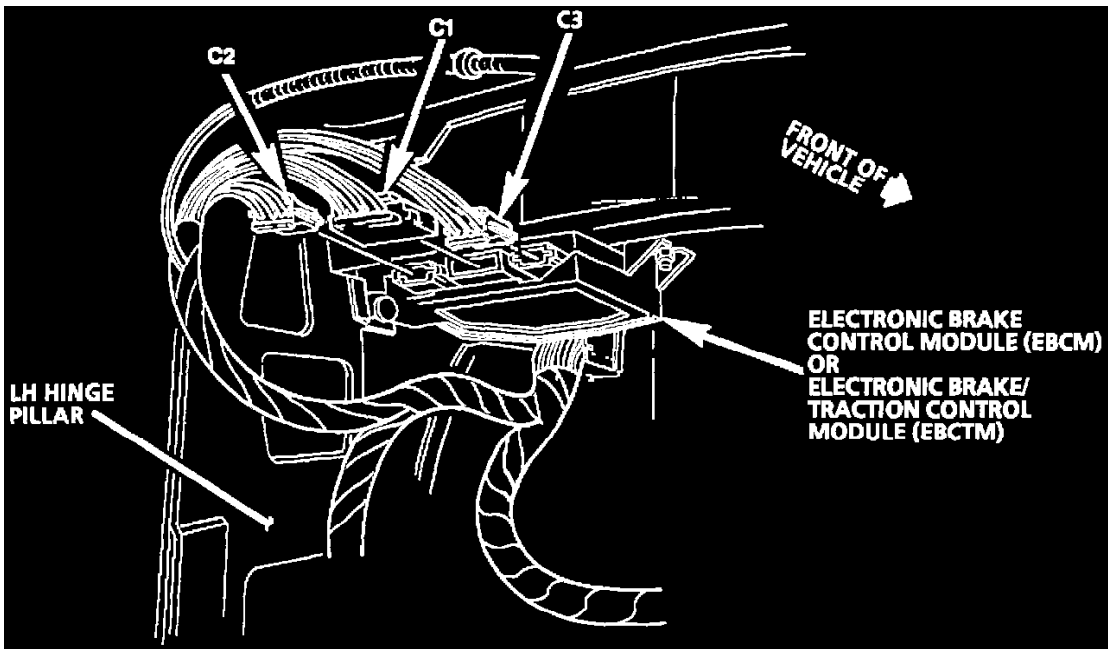
Behind LH Door Trim (RH Door Similar)



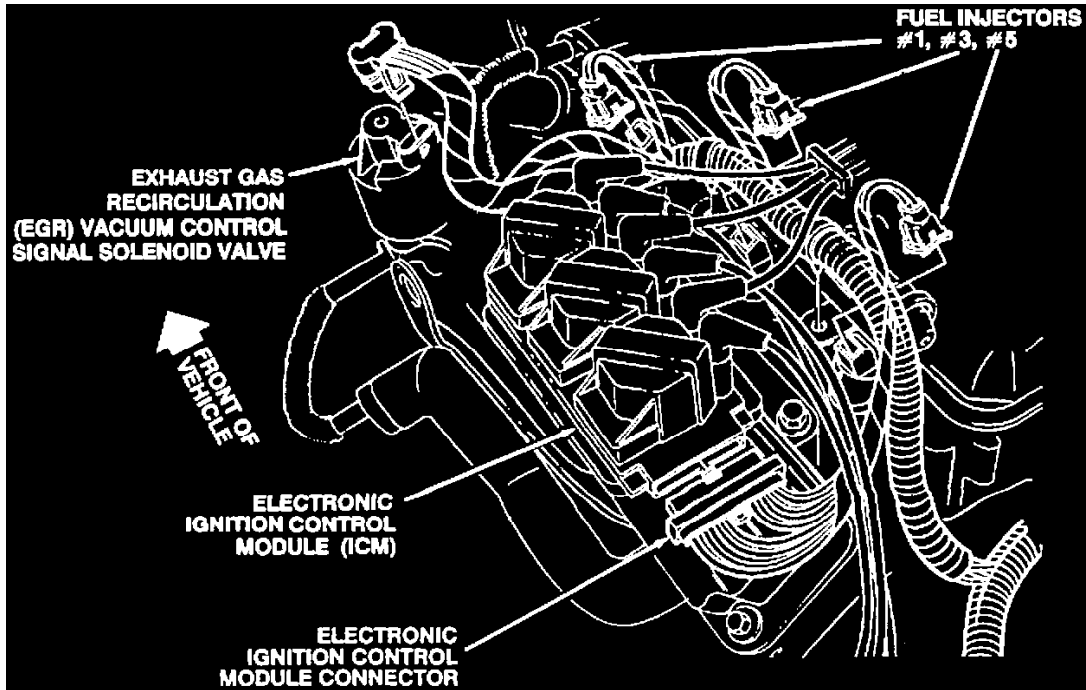
Bottom Of Steering Column



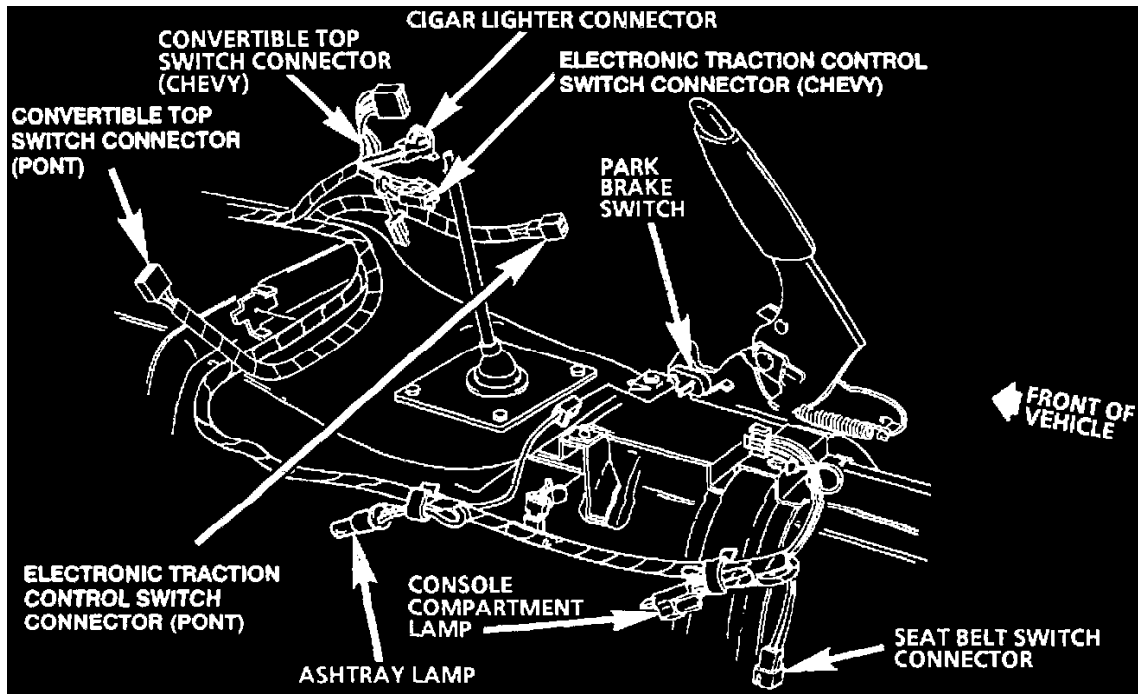
Behind RH Side Of I/P



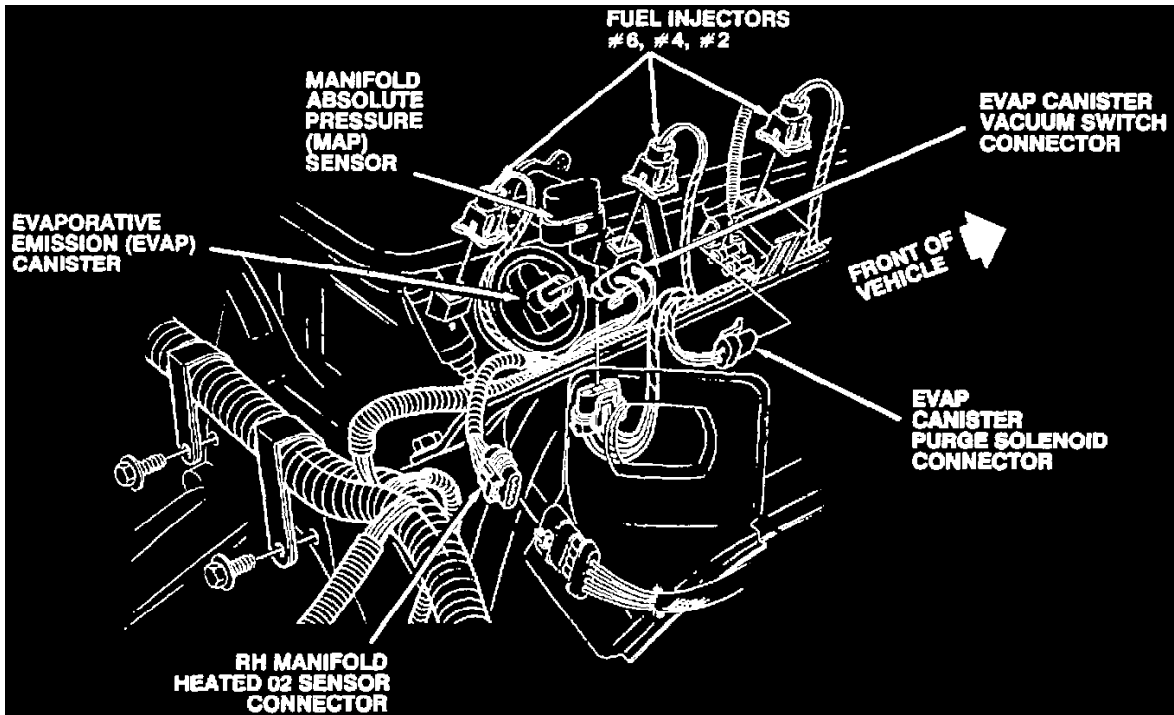
Under LH Side Of I/P



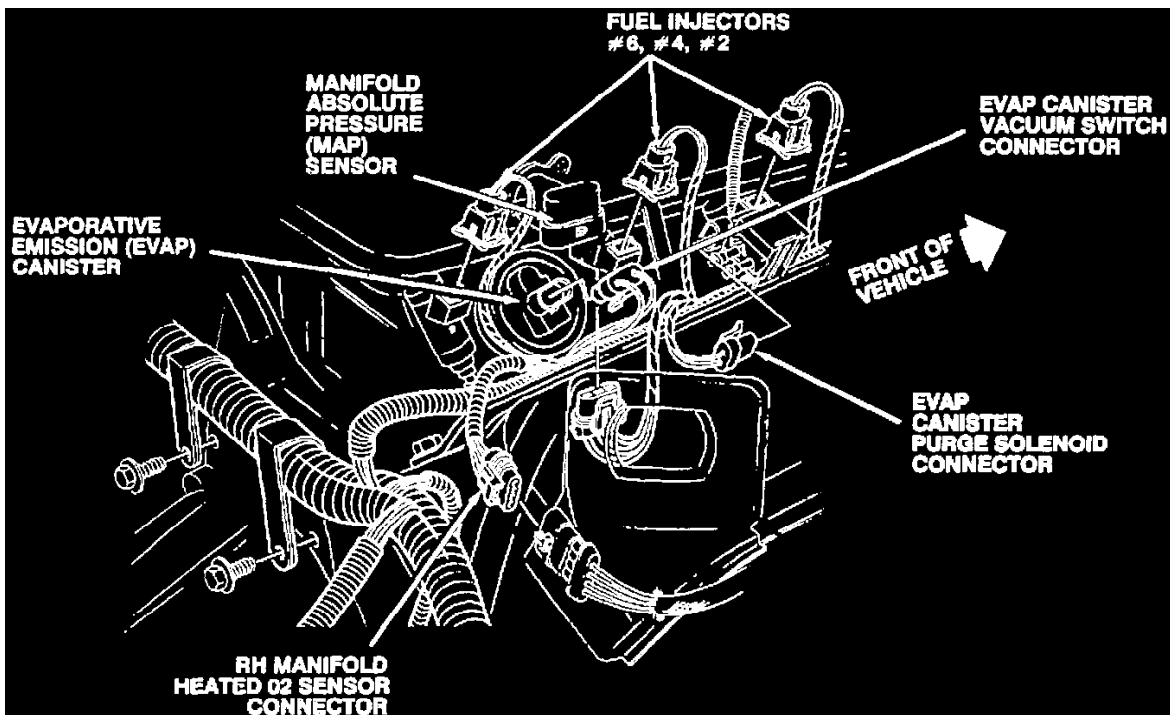
Upper LH Side Of Engine



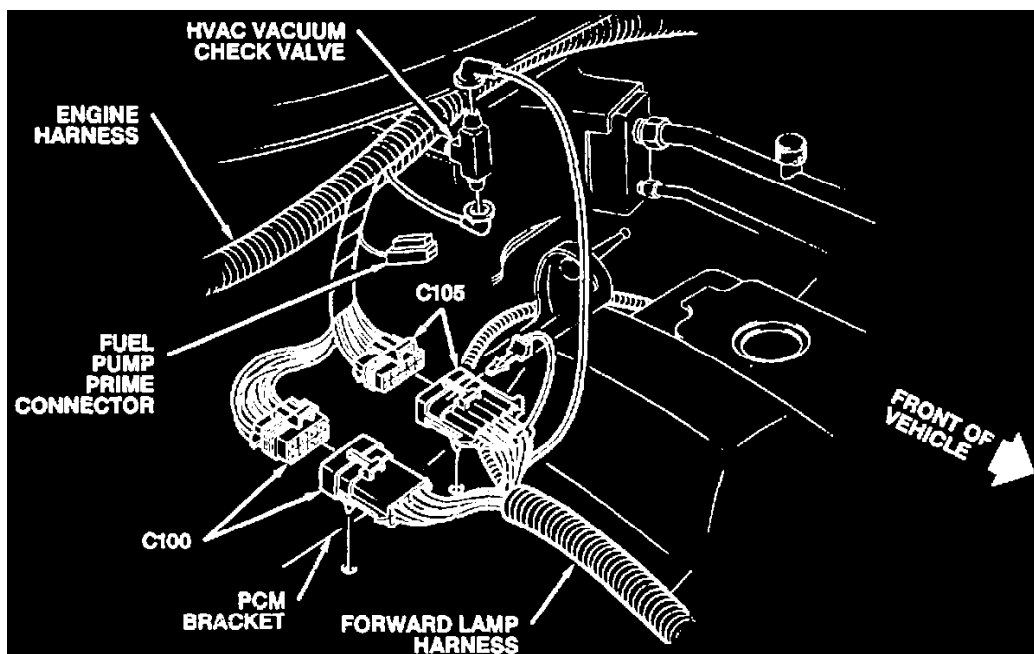
LH Side, Under Console - Manual (M49 Or MM6)



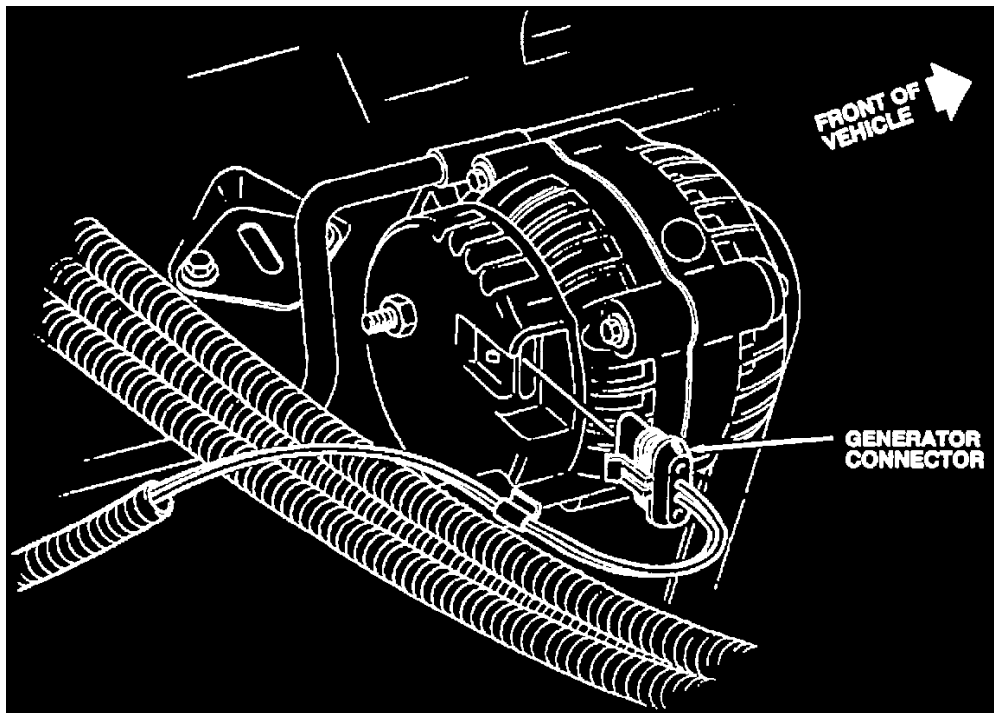
Rear RH Side Of Engine



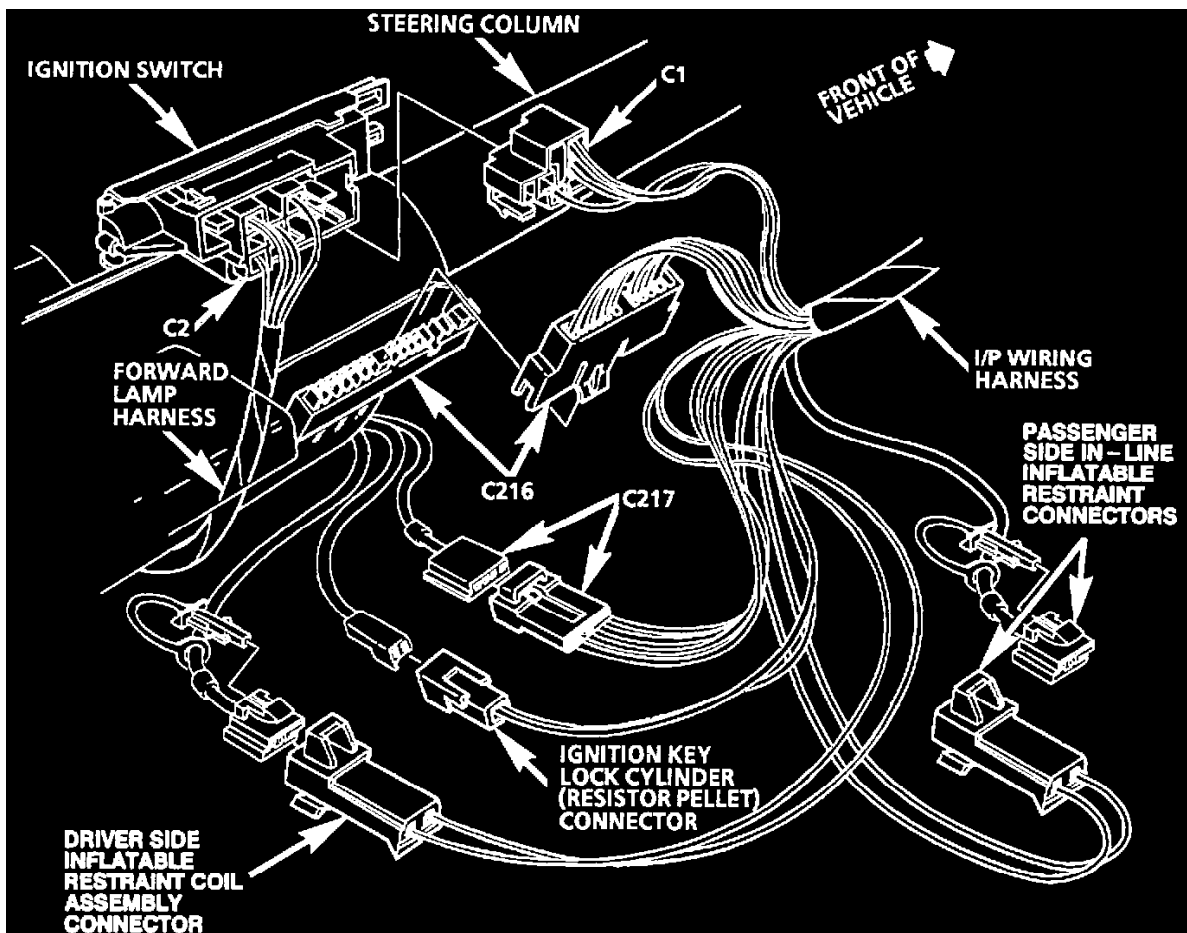
Rear RH Side Of Engine



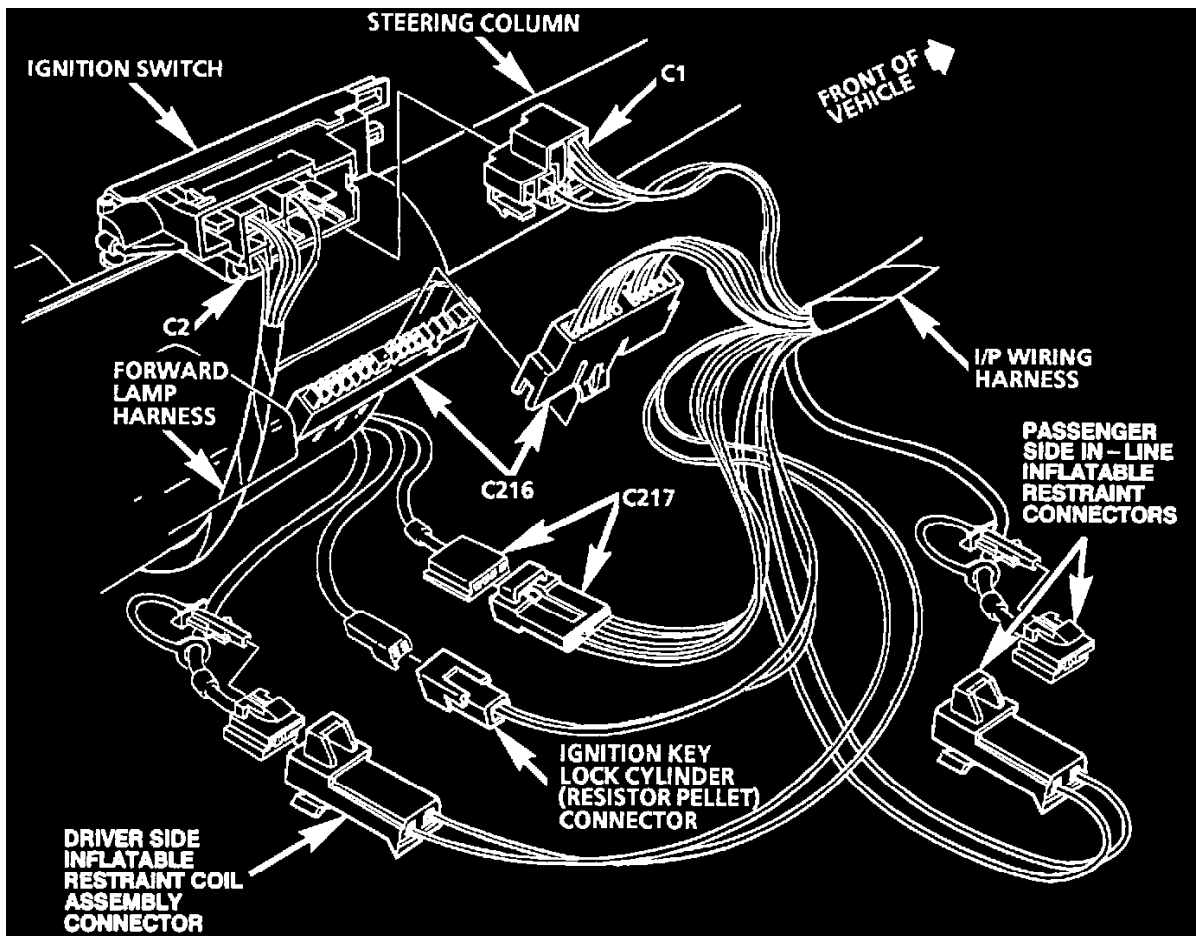
Right Rear Of Engine Compartment



Front LH Side Of Engine

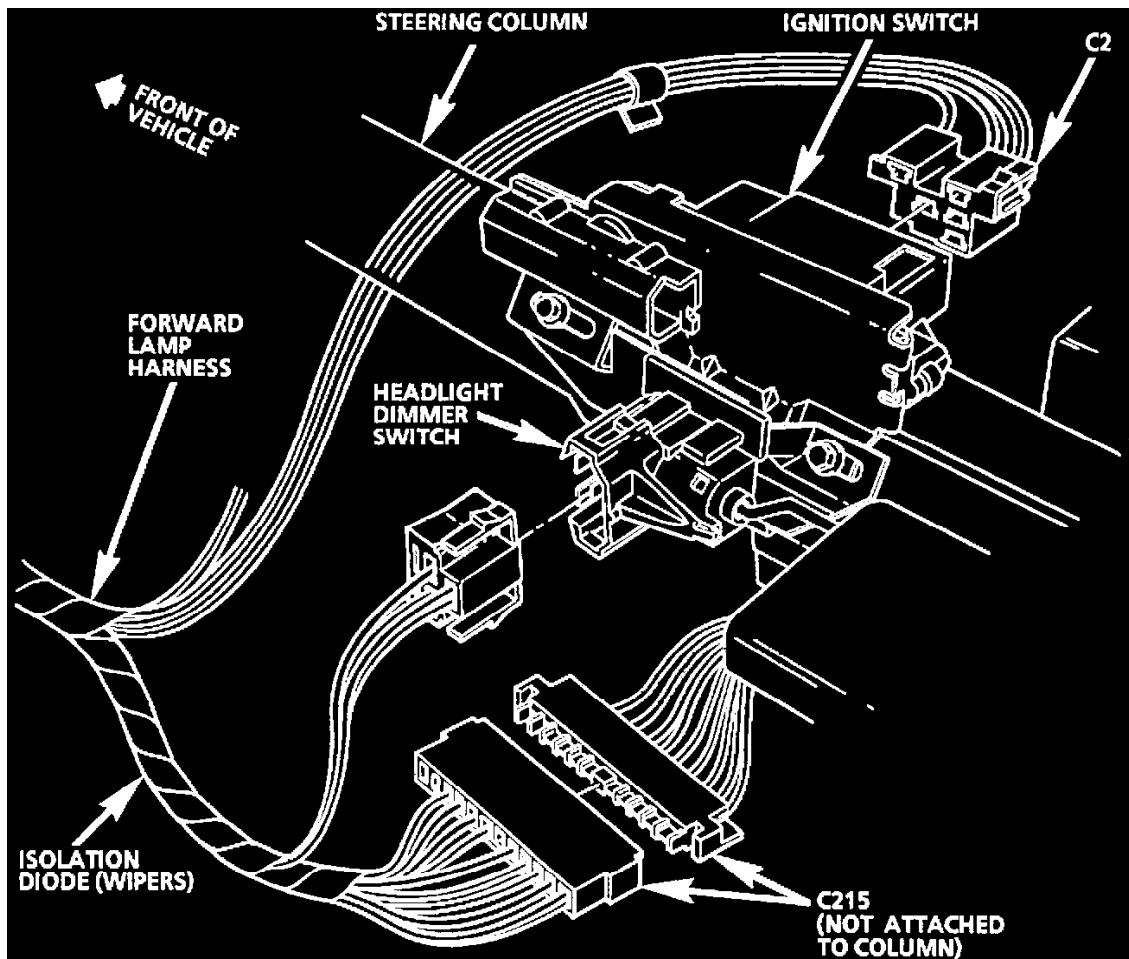


Bottom Of Steering Column

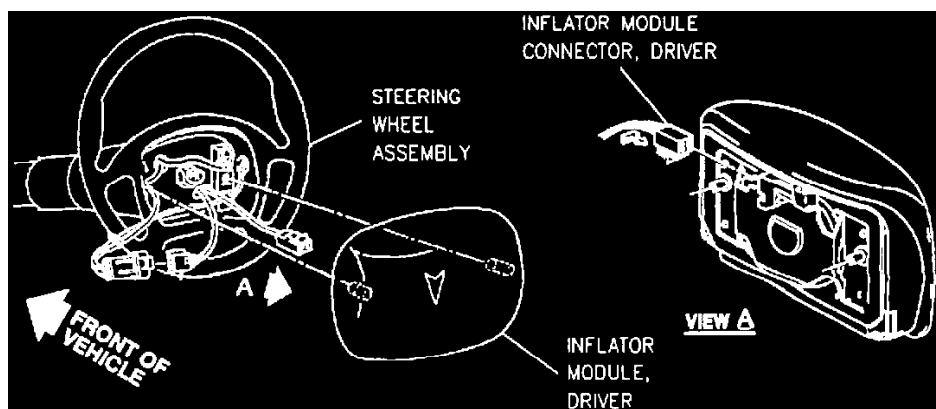


Bottom Of Steering Column

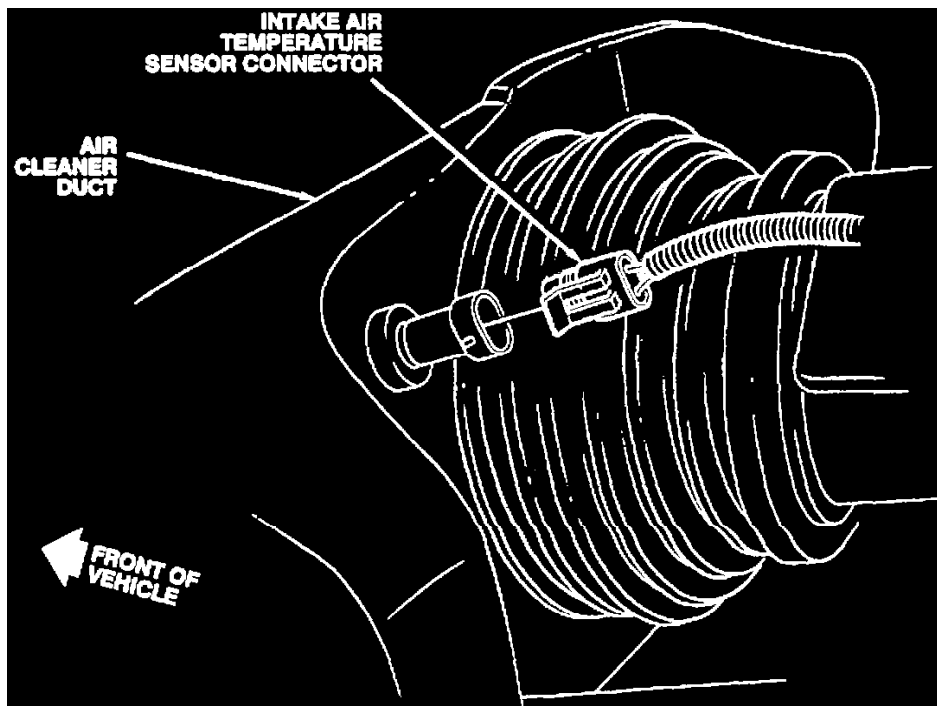




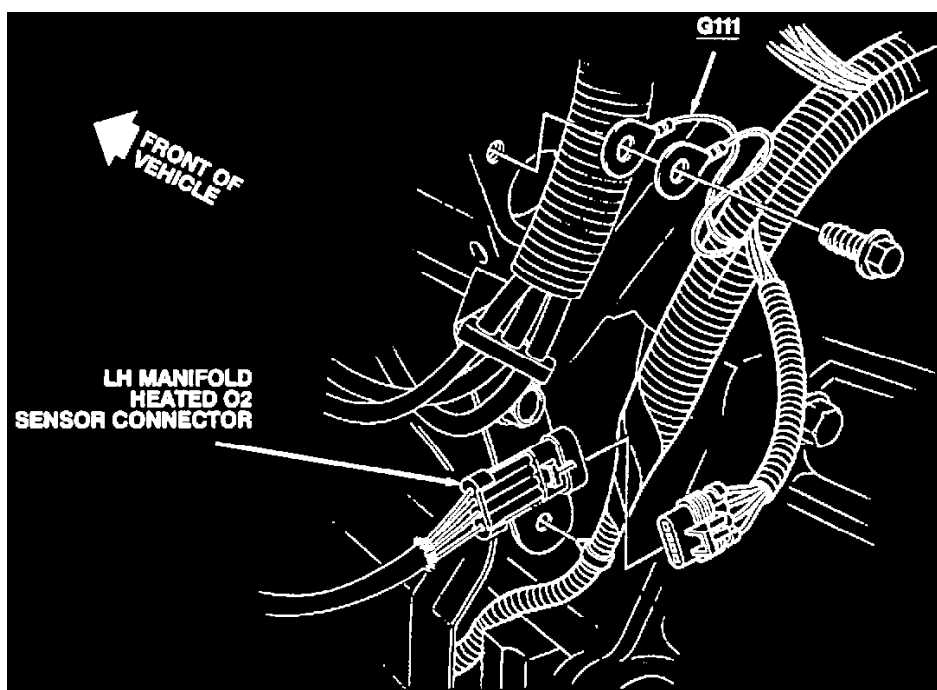
Bottom Of Steering Column



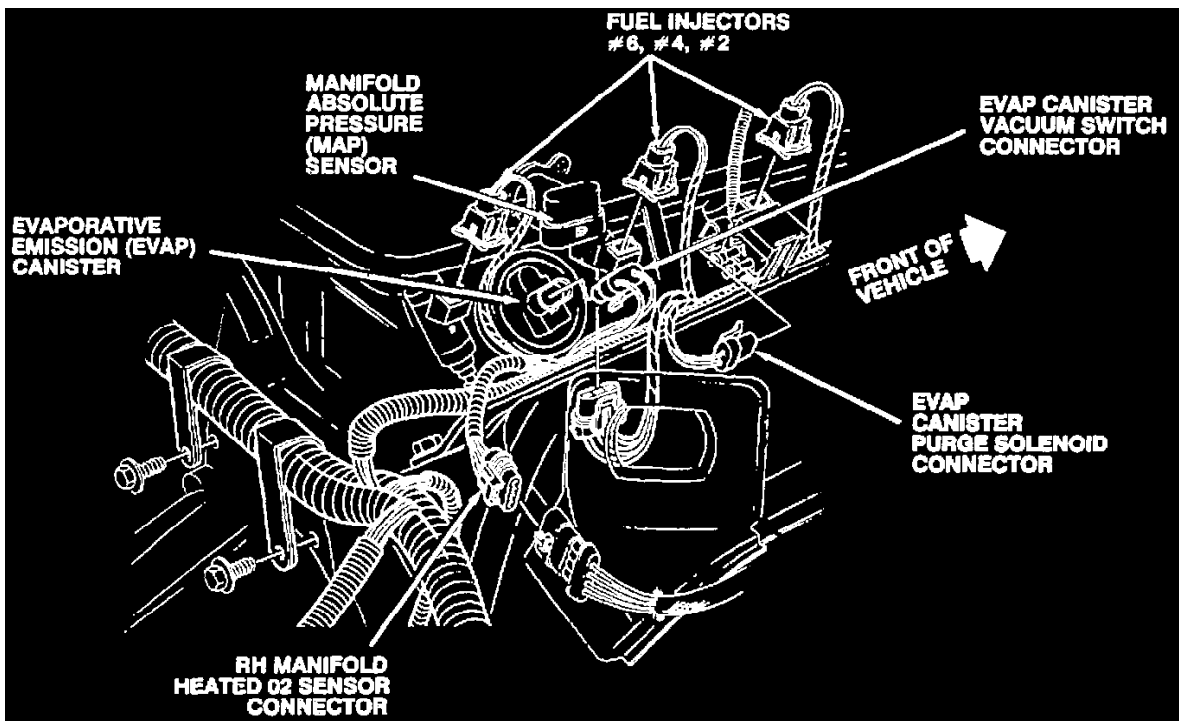
Steering Wheel Controls



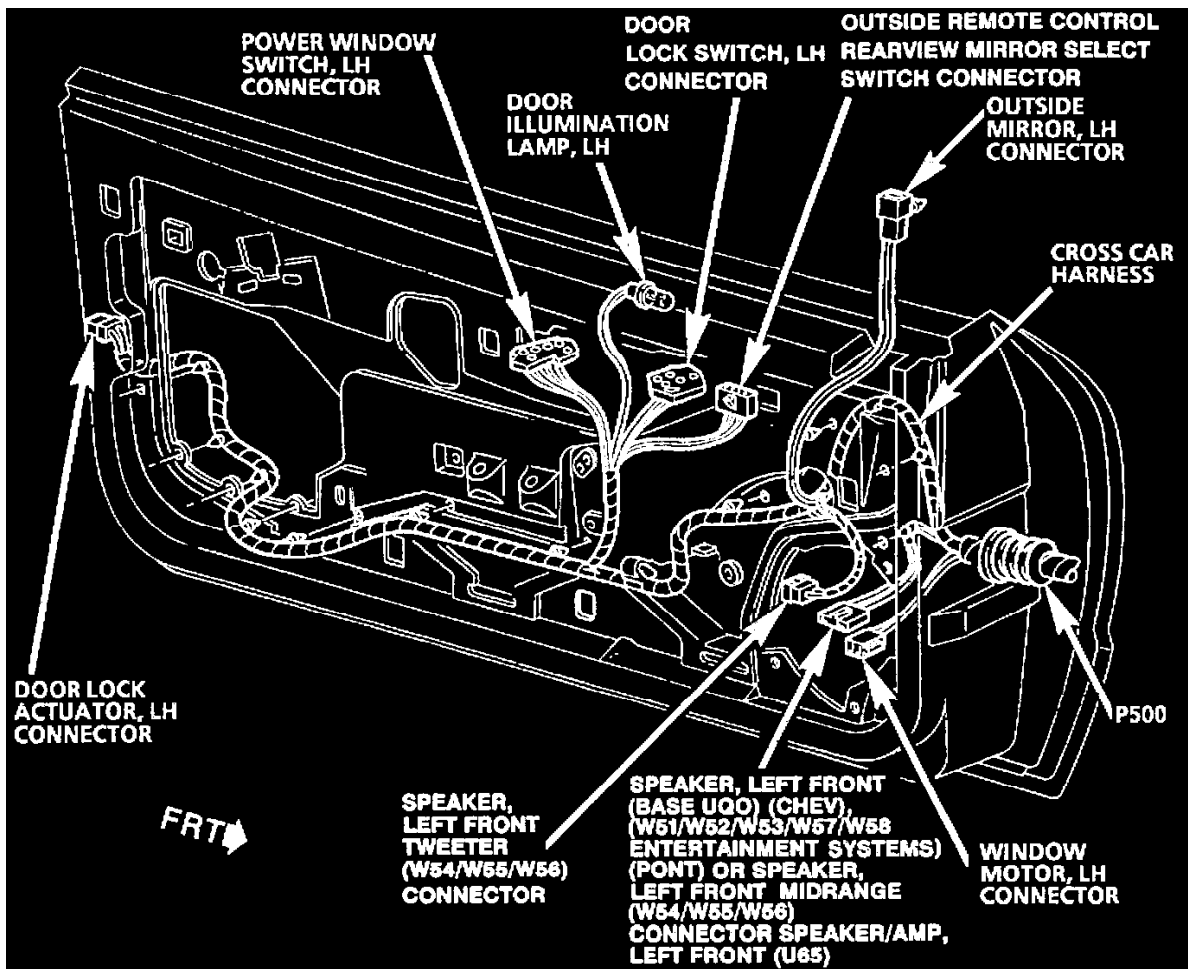
Rear Of Air Cleaner Duct



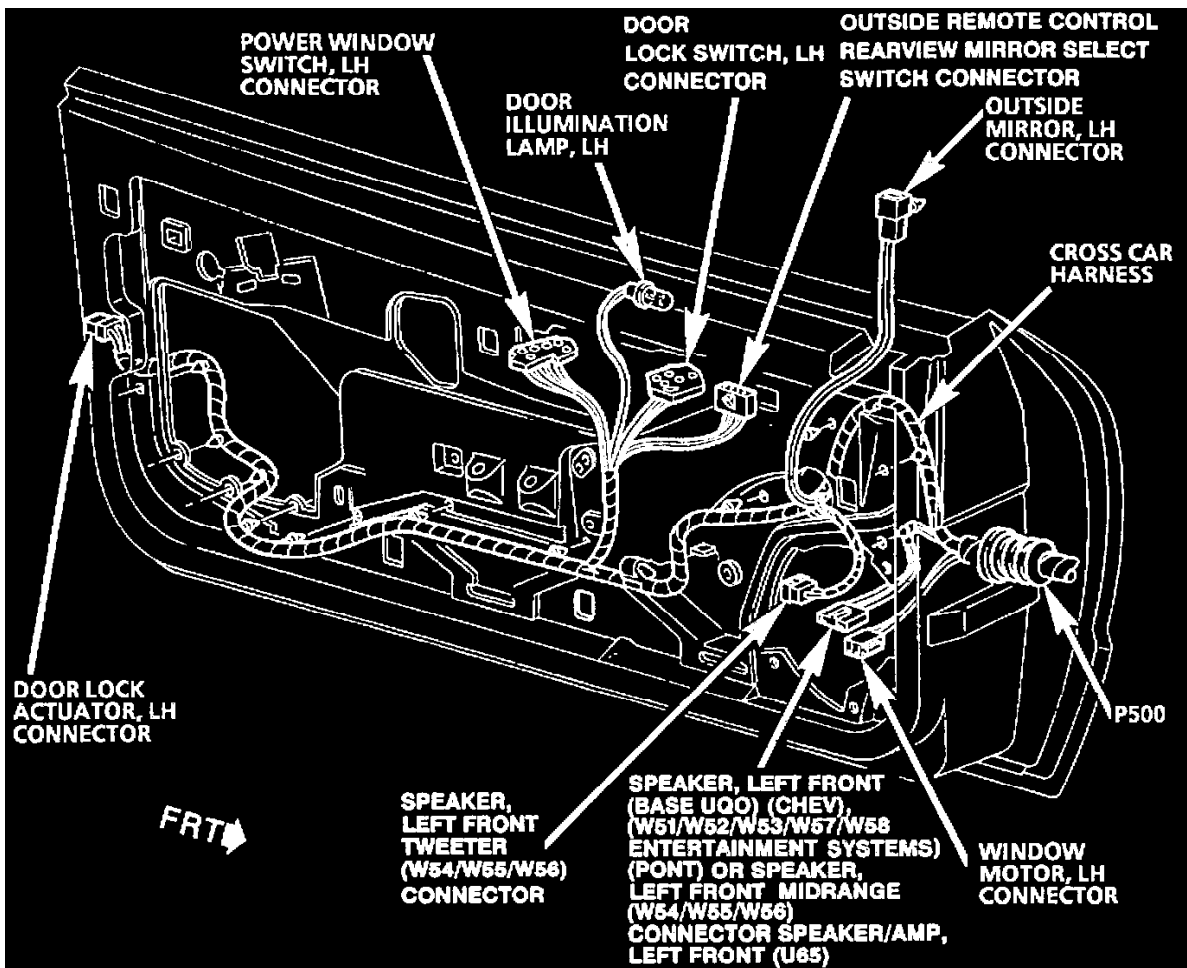
Rear LH Side Of Engine



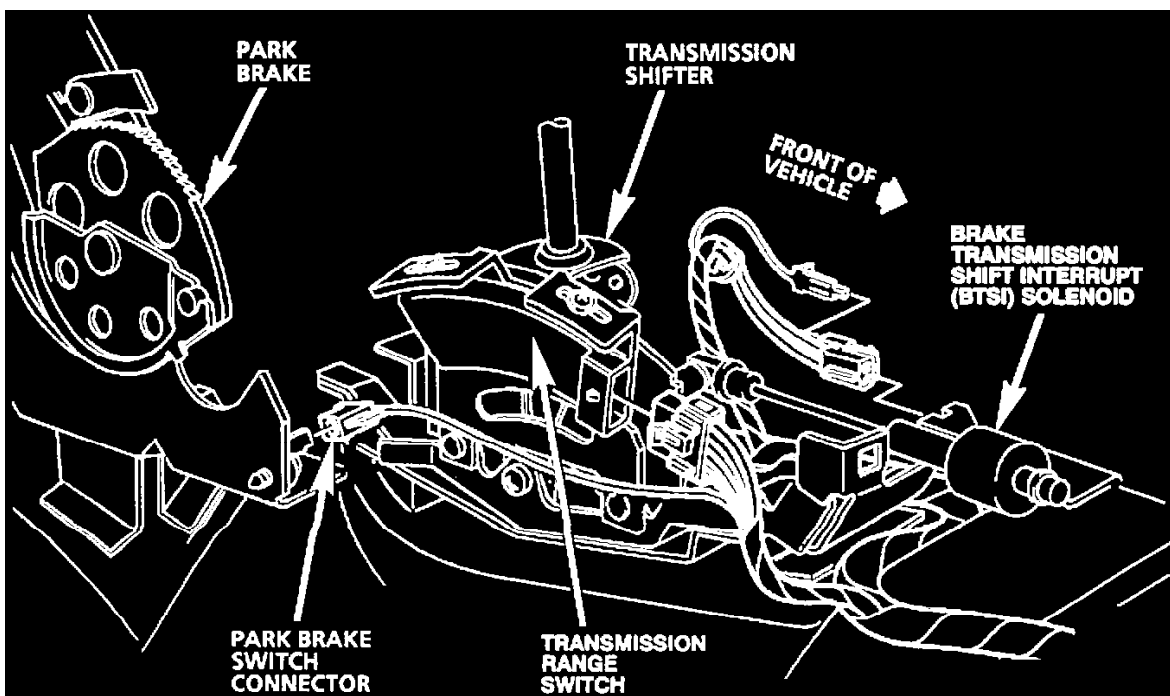
Rear RH Side Of Engine



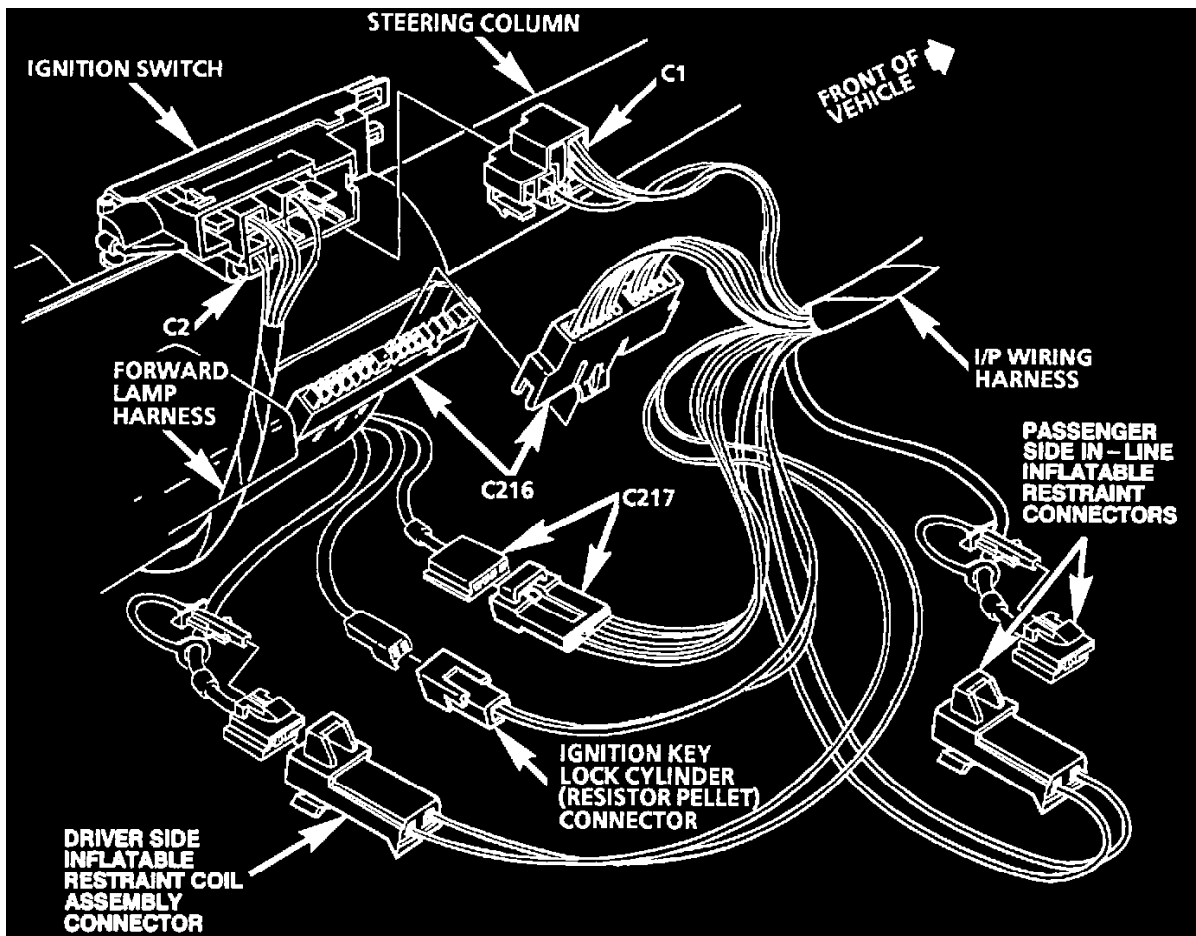
Behind LH Door Trim (RH Door Similar)



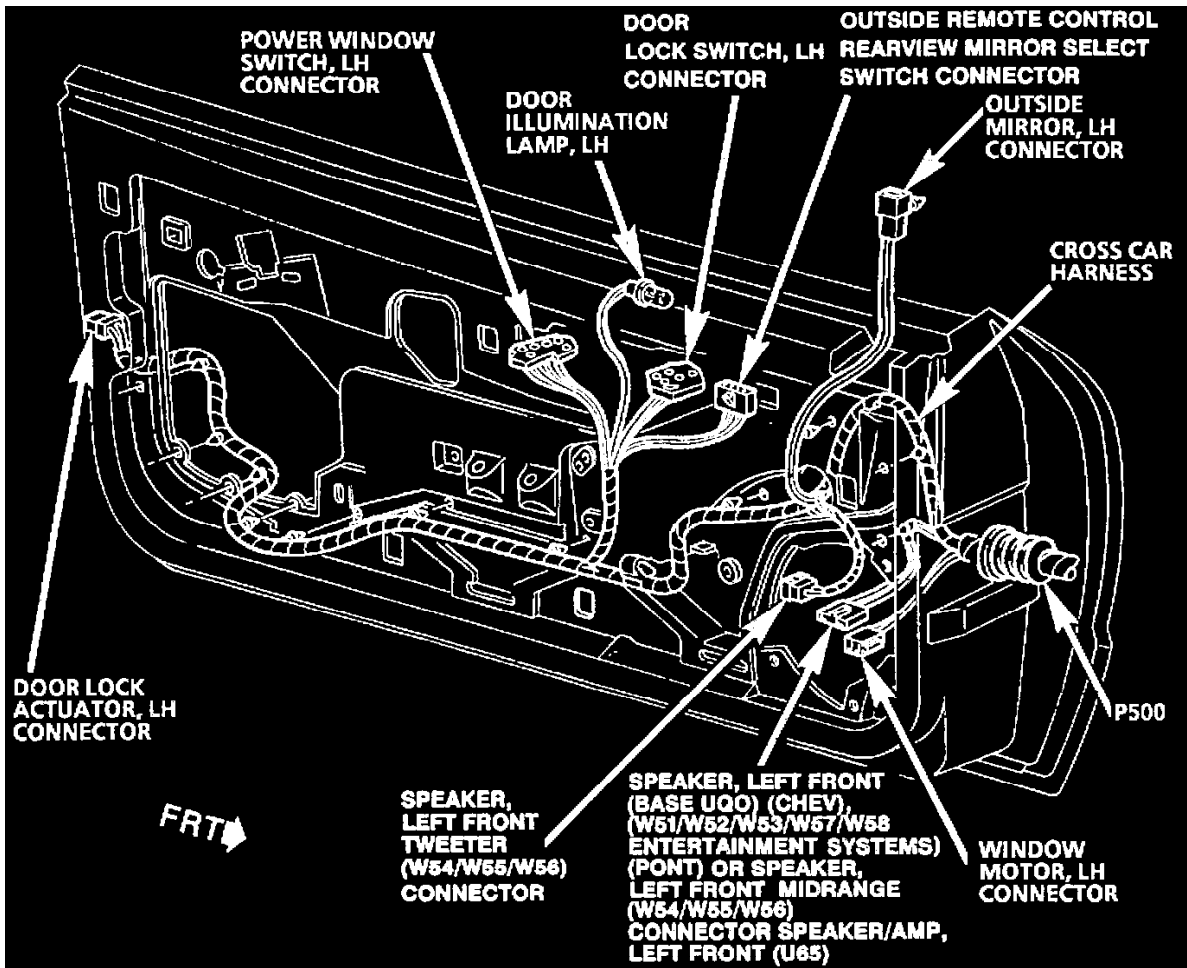
Behind LH Door Trim (RH Door Similar)



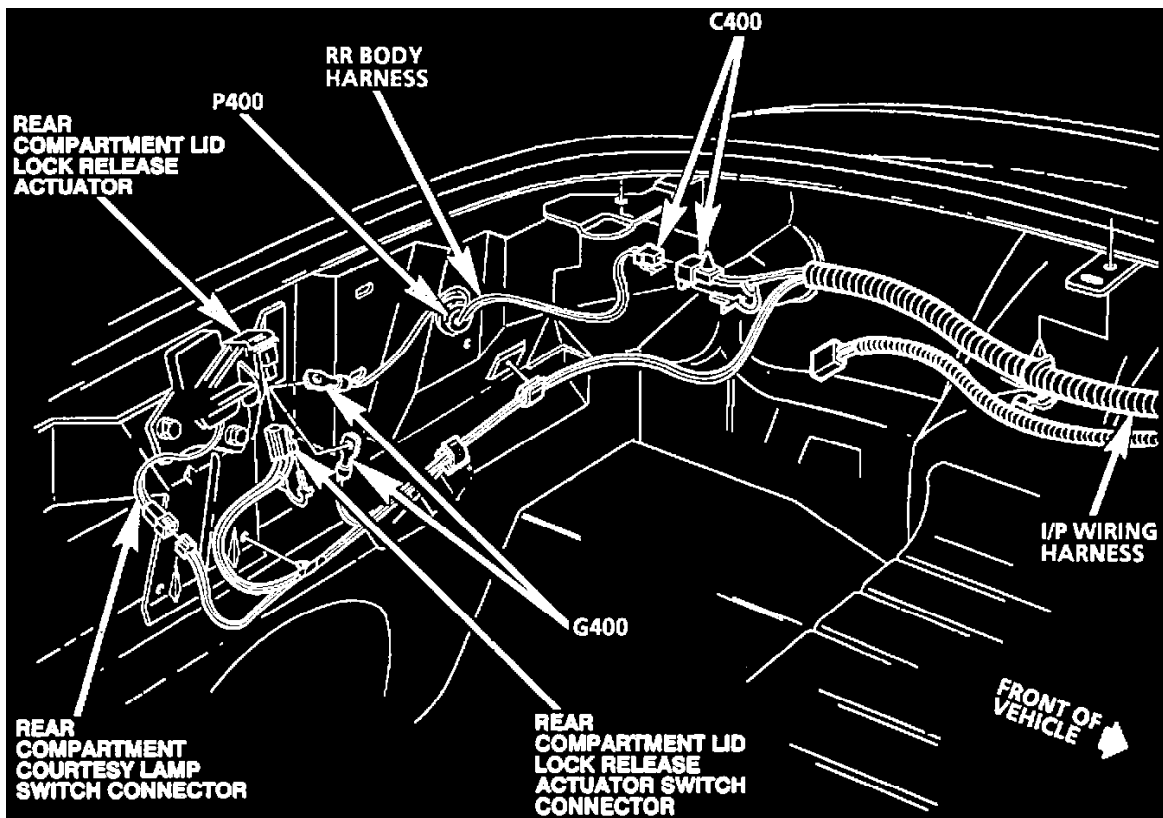
Rear Side Under Console - Automatic (M30)



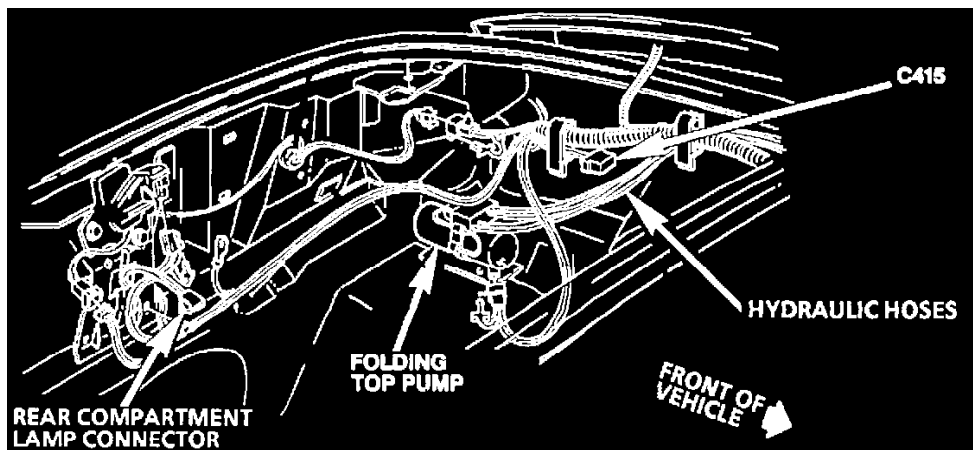
Bottom Of Steering Column



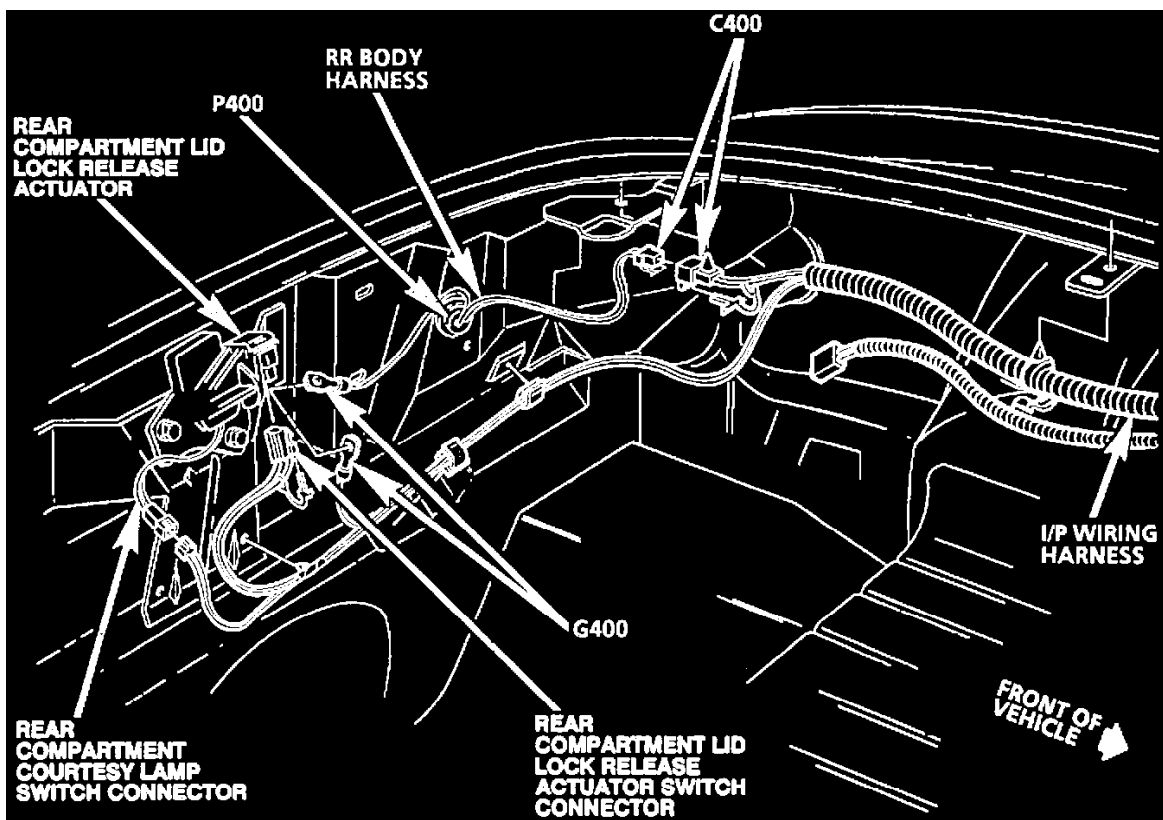
Behind LH Door Trim (RH Door Similar)



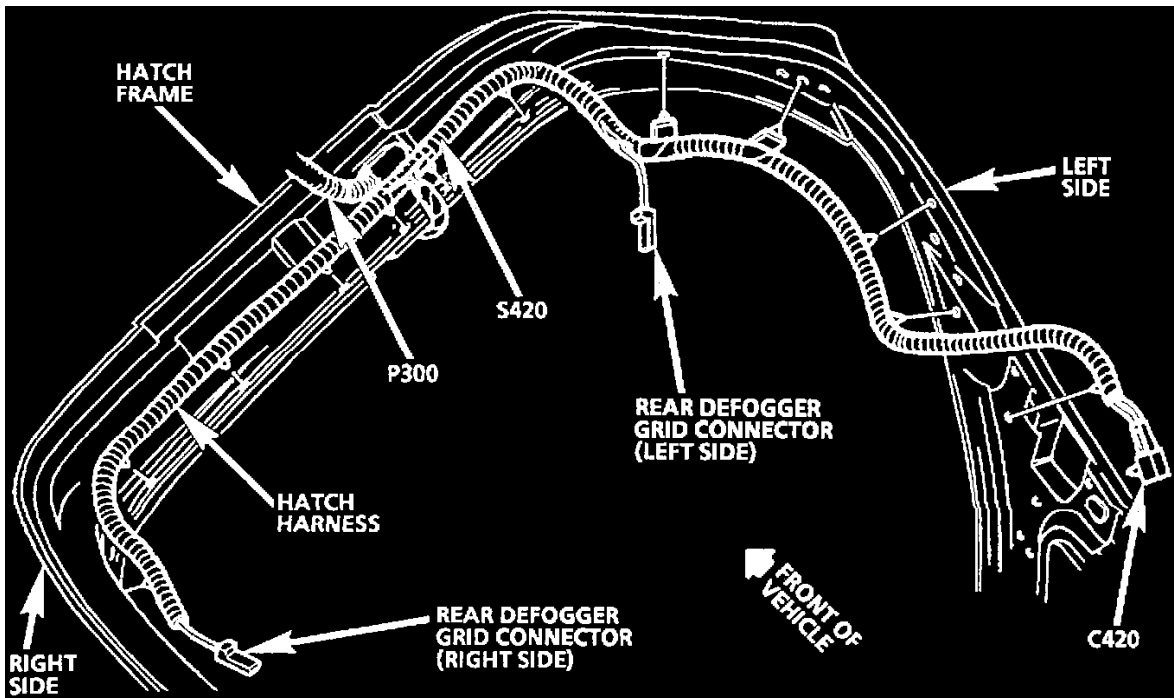
LH Rear Cargo Compartment



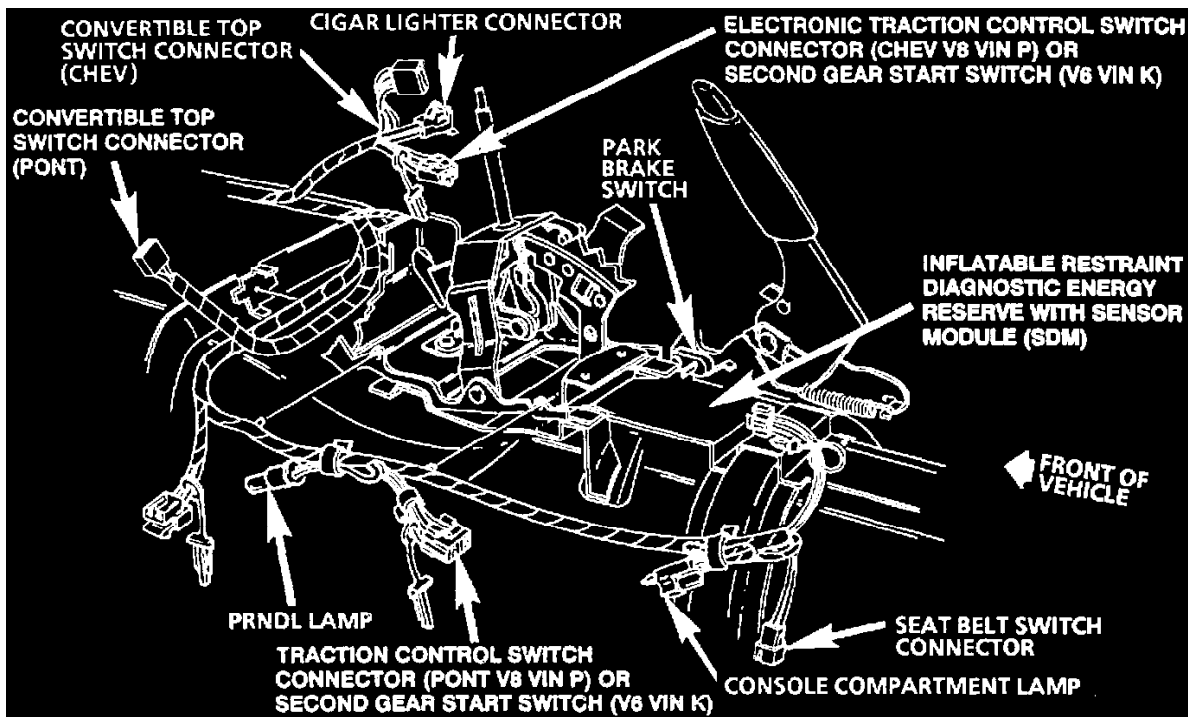
LH Rear Cargo Compartment (Convertible)



LH Rear Cargo Compartment

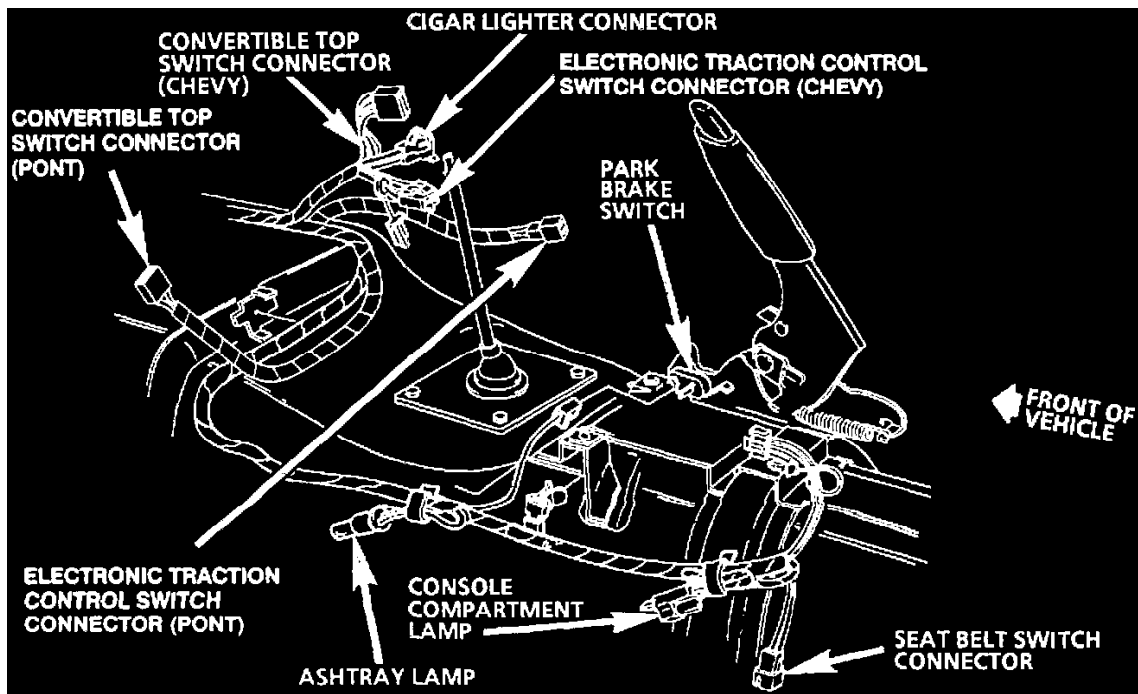


Bottom Side Of Hatch, Shown Upside Down (Coupe)

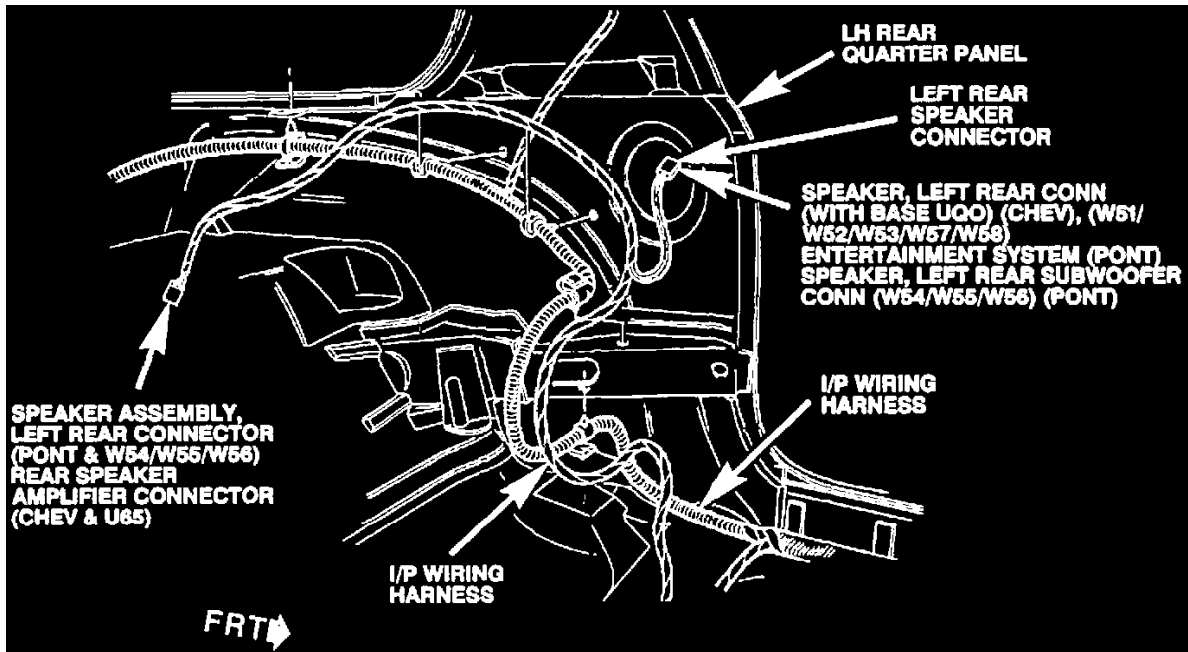


LH Side, Under Console - Automatic (M30)

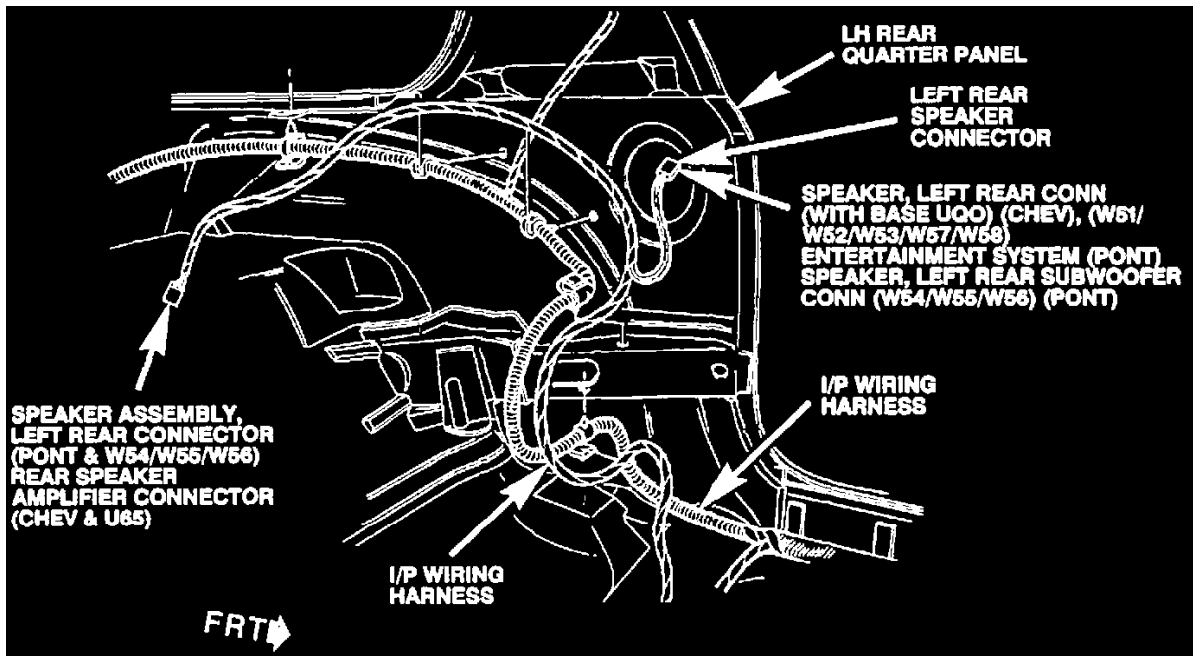




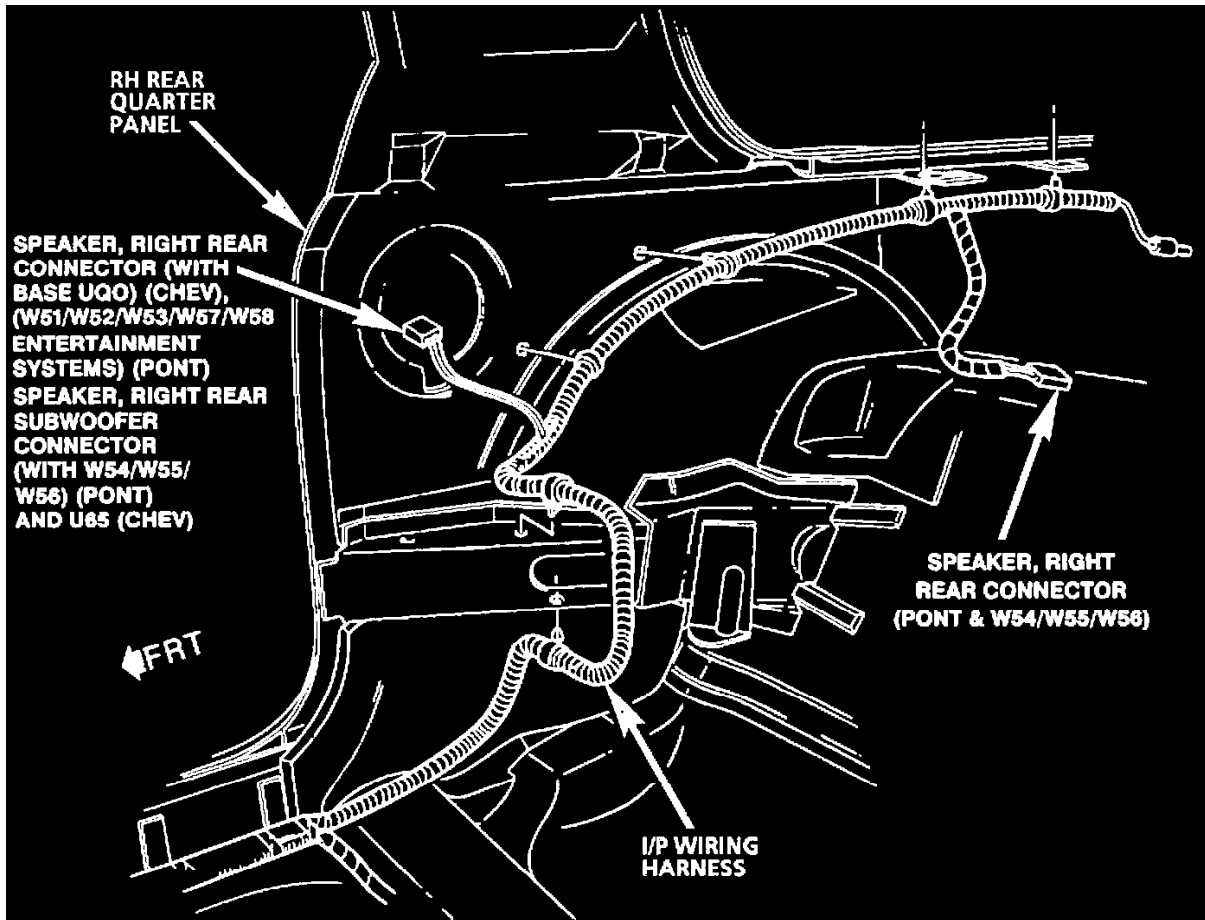
LH Side, Under Console - Manual (M49 Or MM6)



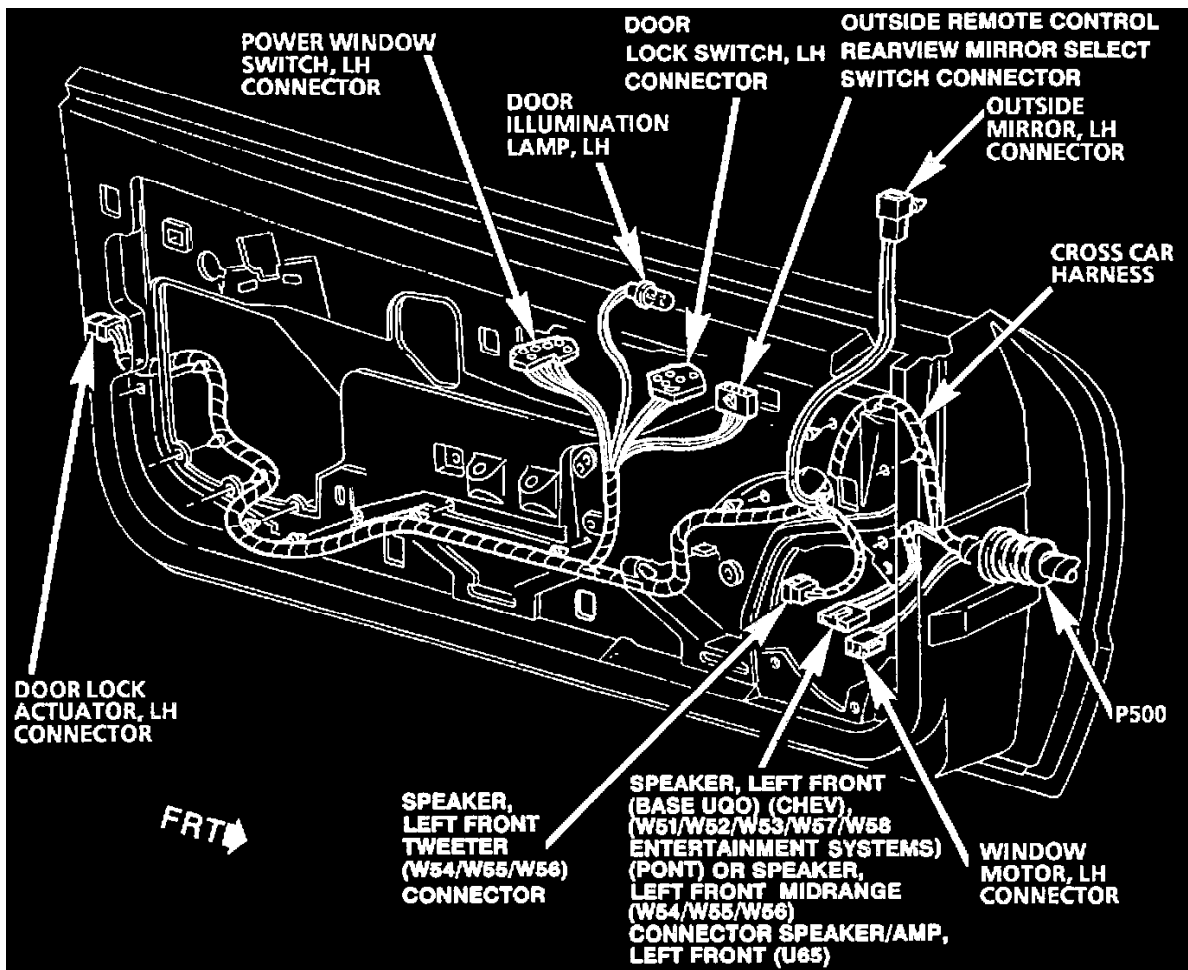
LH Rear Quarter Panel



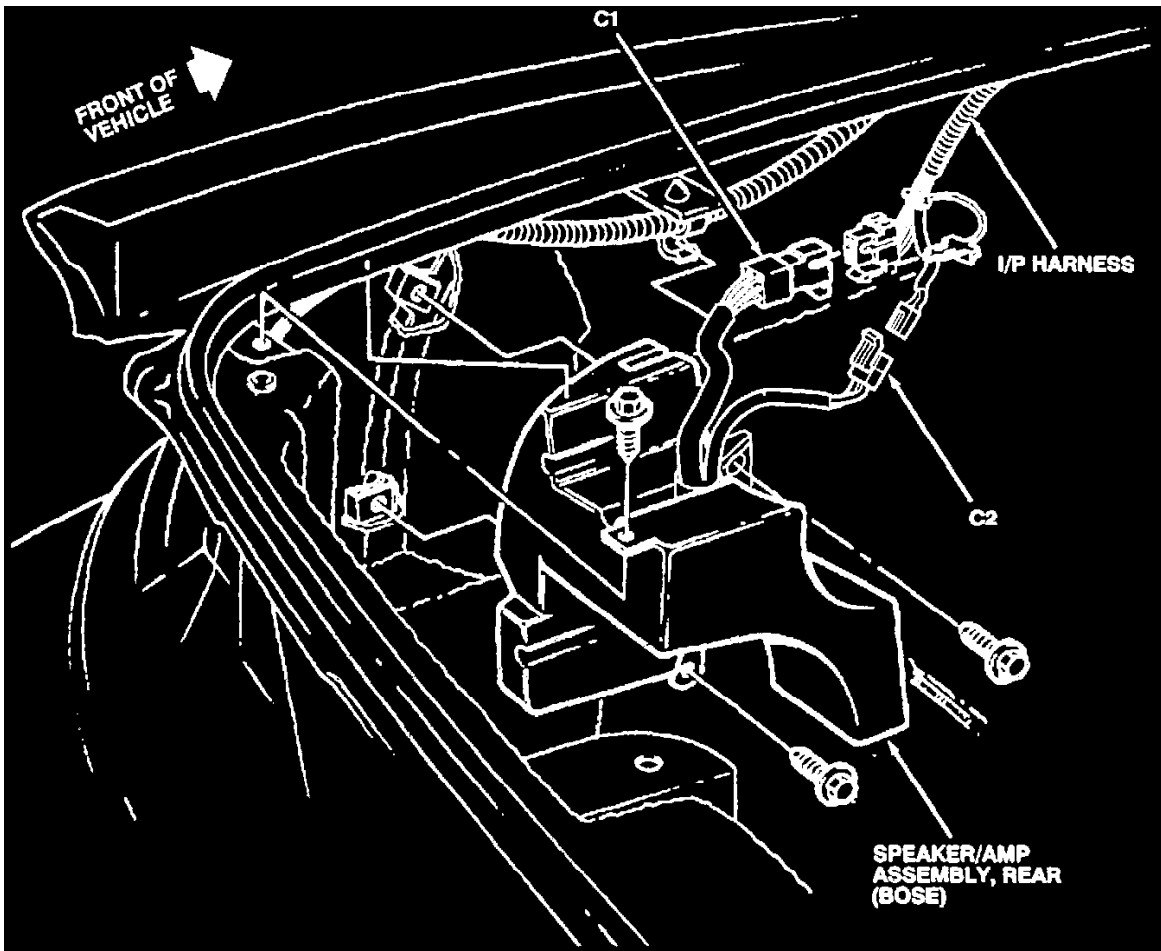
LH Rear Quarter Panel



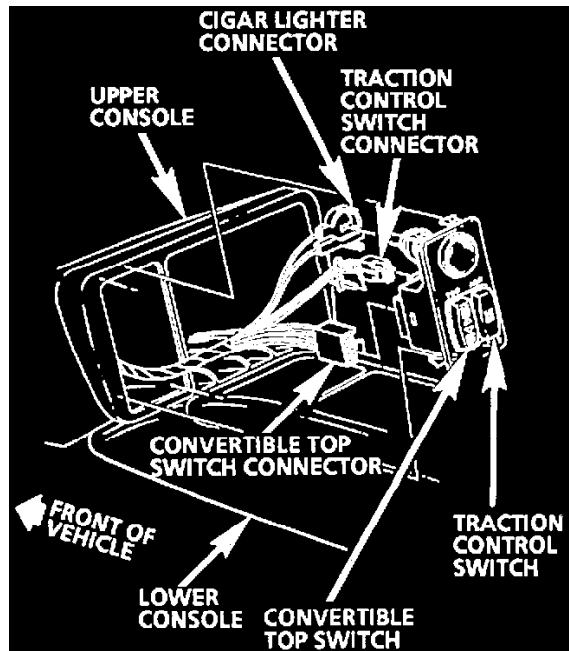
RH Rear Quarter Panel



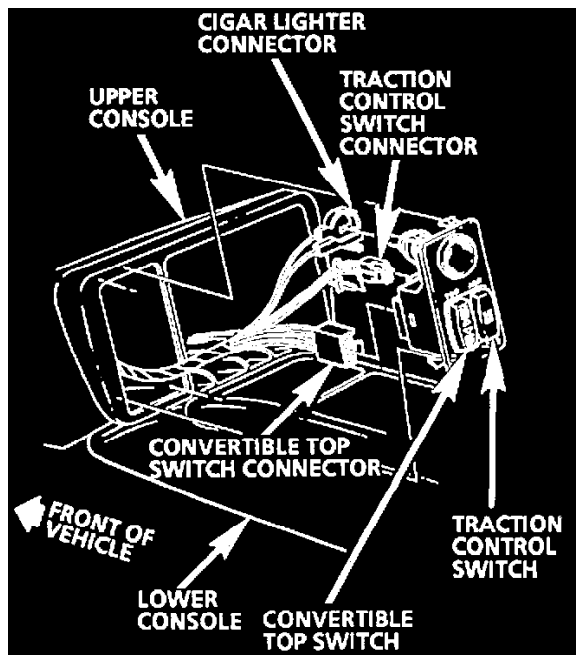
Behind LH Door Trim (RH Door Similar)



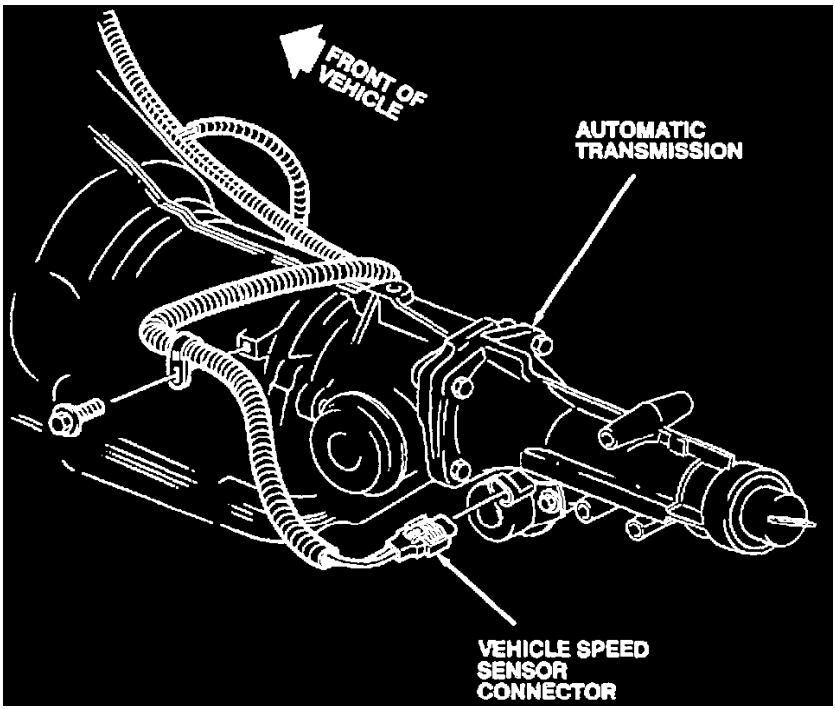
LH Rear Quarter Behind Trim Panel



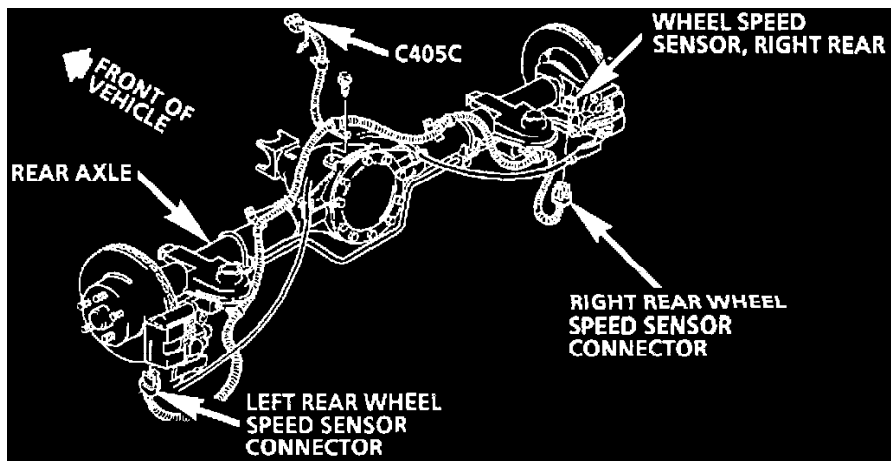
Left Side Of Upper Console



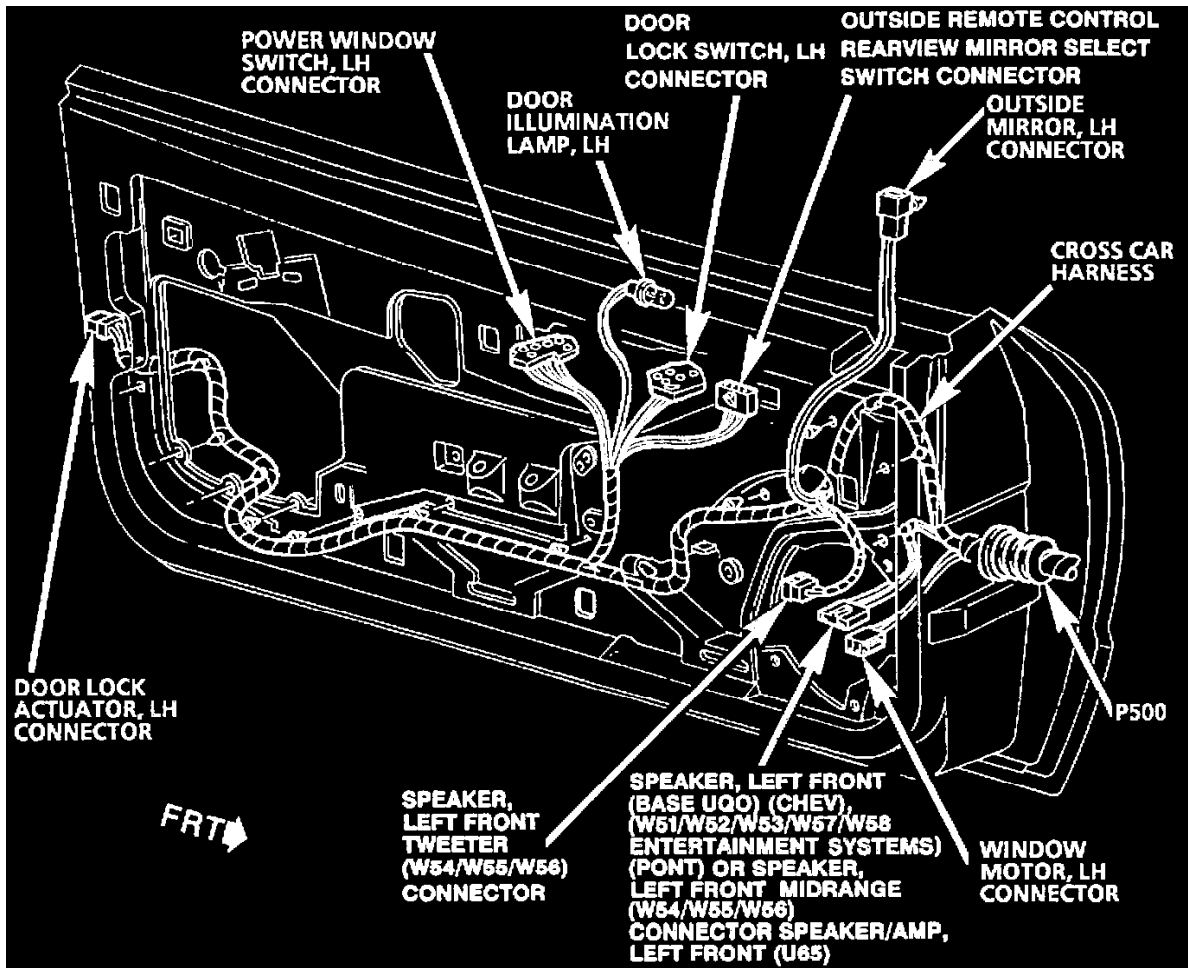
Left Side Of Upper Console



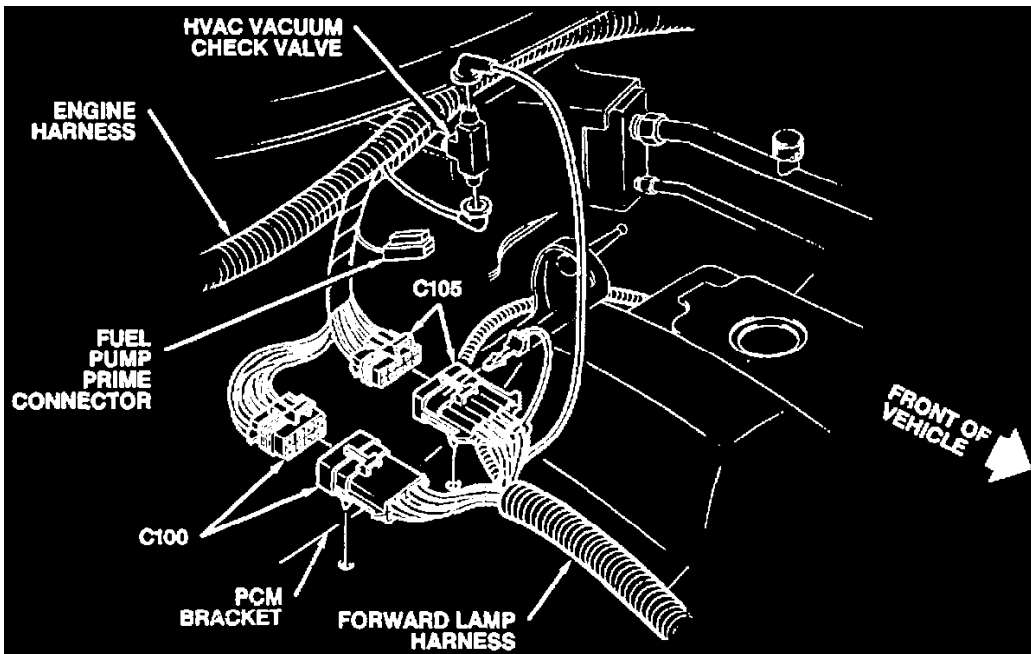
LH Side Of Automatic Transmission



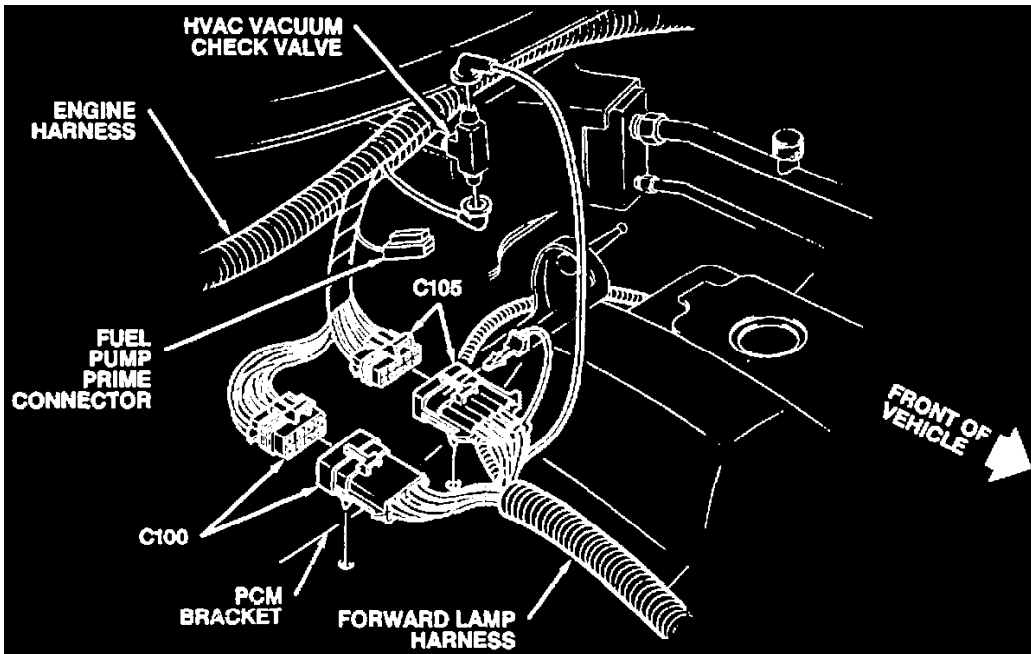
Rear Axle And Differential (With NW9)



Behind LH Door Trim (RH Door Similar)



Right Rear Of Engine Compartment

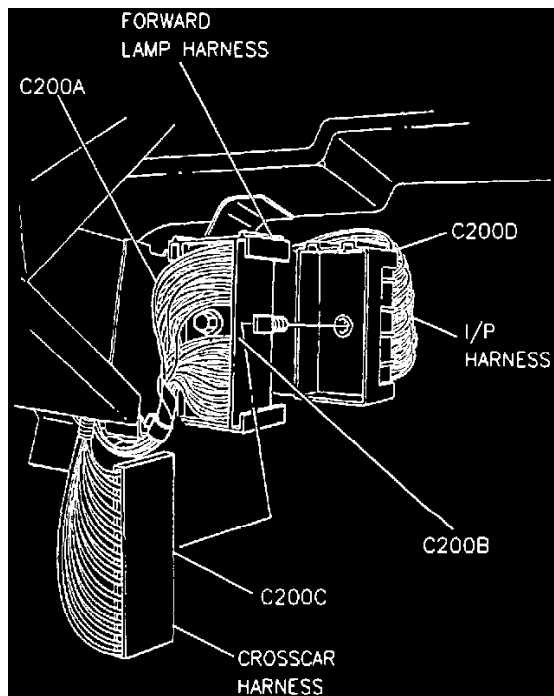


Right Rear Of Engine Compartment

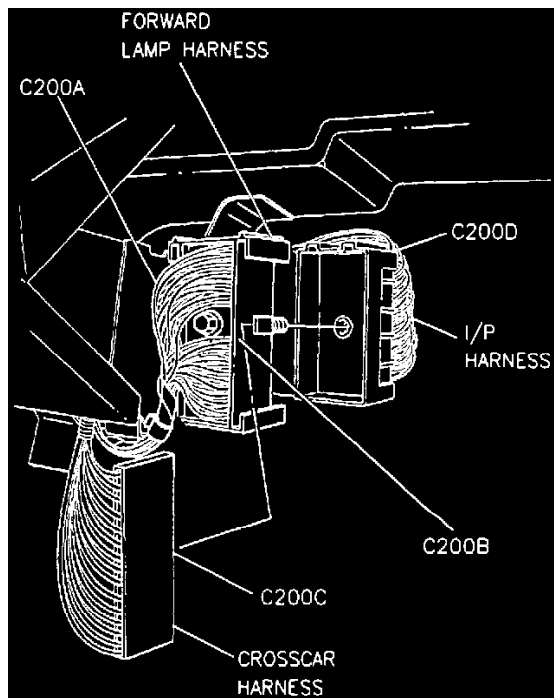
**C110**  
RH front of Engine, bolted to pulley just above A/C Clutch Compressor Connector

**C120**  
Forward Lamp to Wheel Speed Jumper Harn, mounted to LH Frame Rail

**C130**  
Forward Lamp to Wheel speed Jumper Harn, mounted to RH Frame Rail

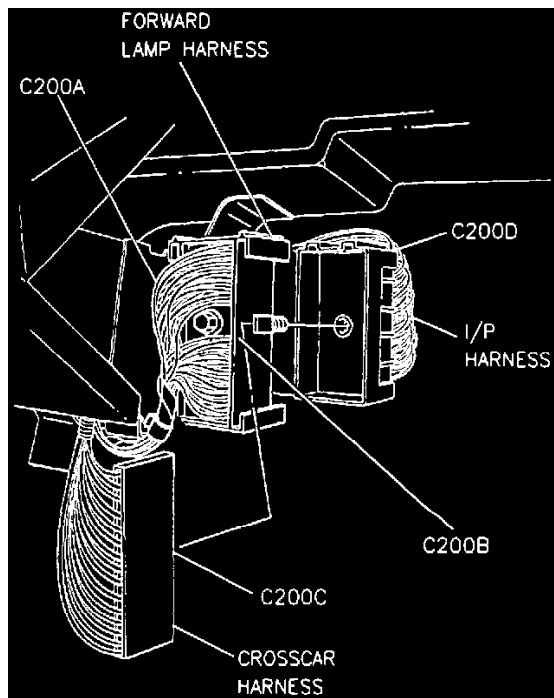


Between LH Kick Panel And Steering Column

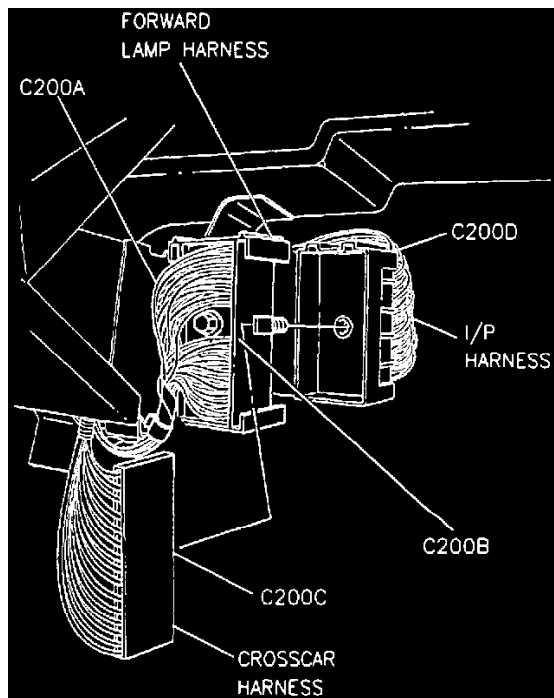


Between LH Kick Panel And Steering Column

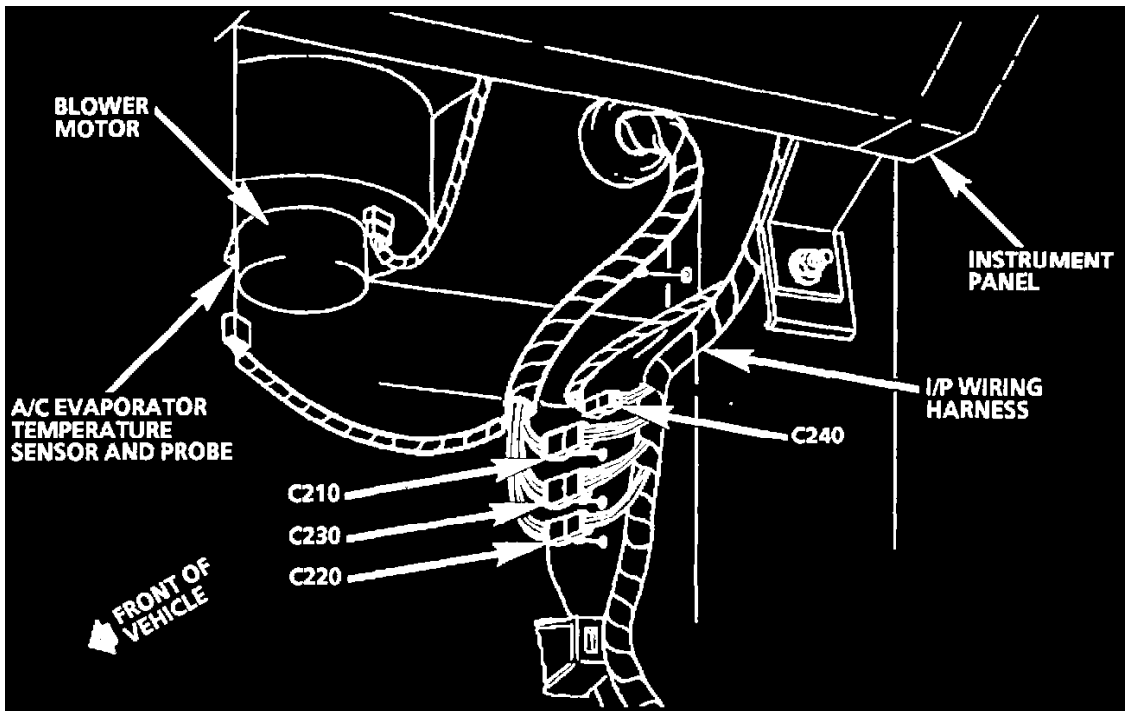




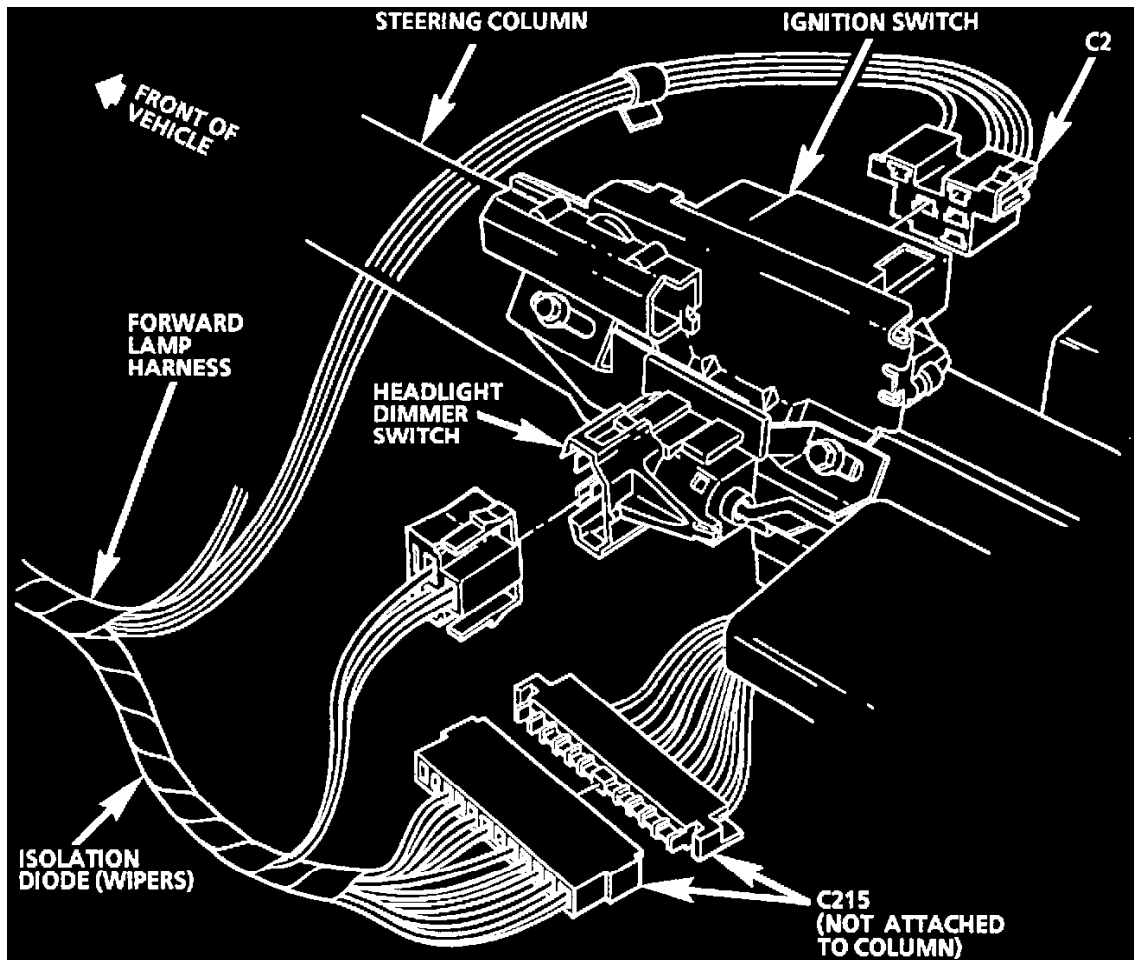
Between LH Kick Panel And Steering Column



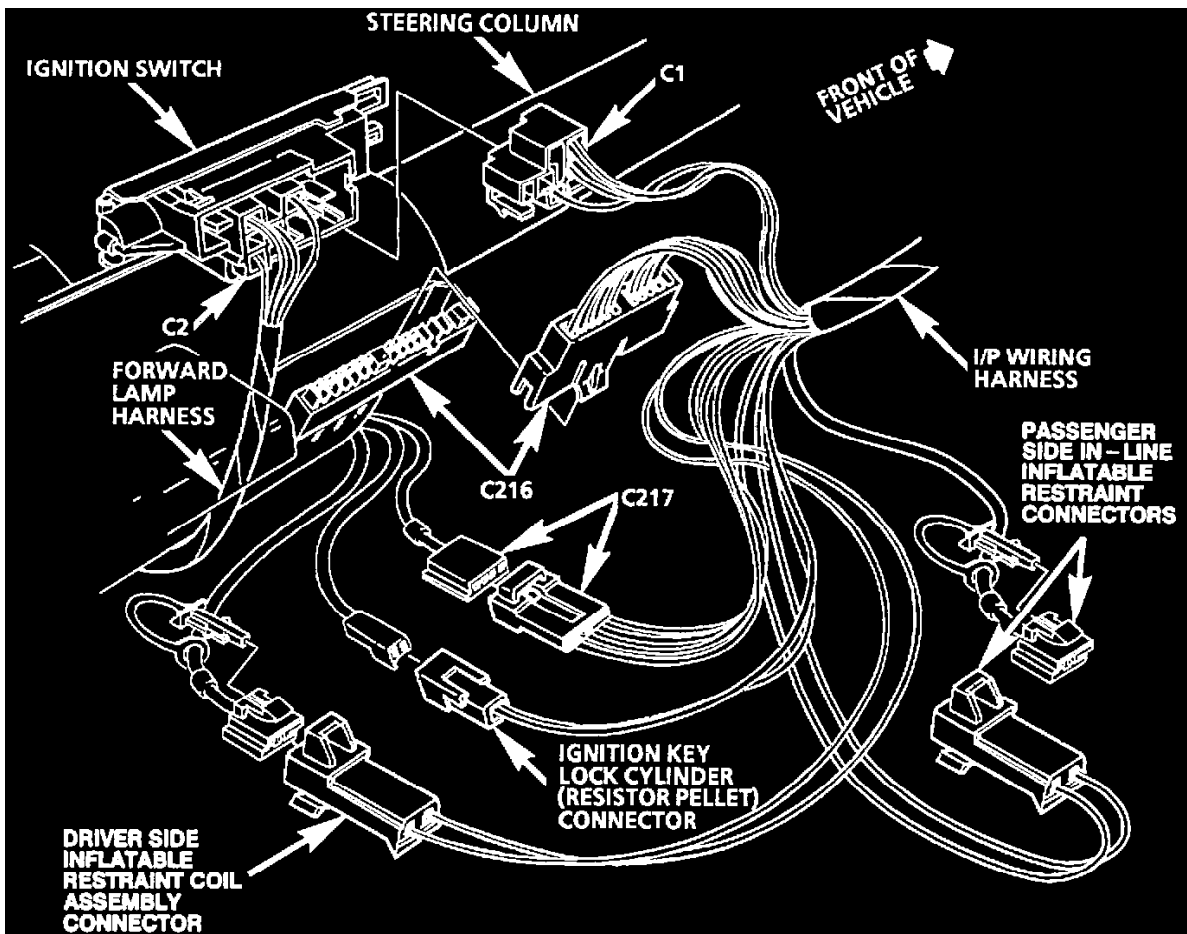
Between LH Kick Panel And Steering Column



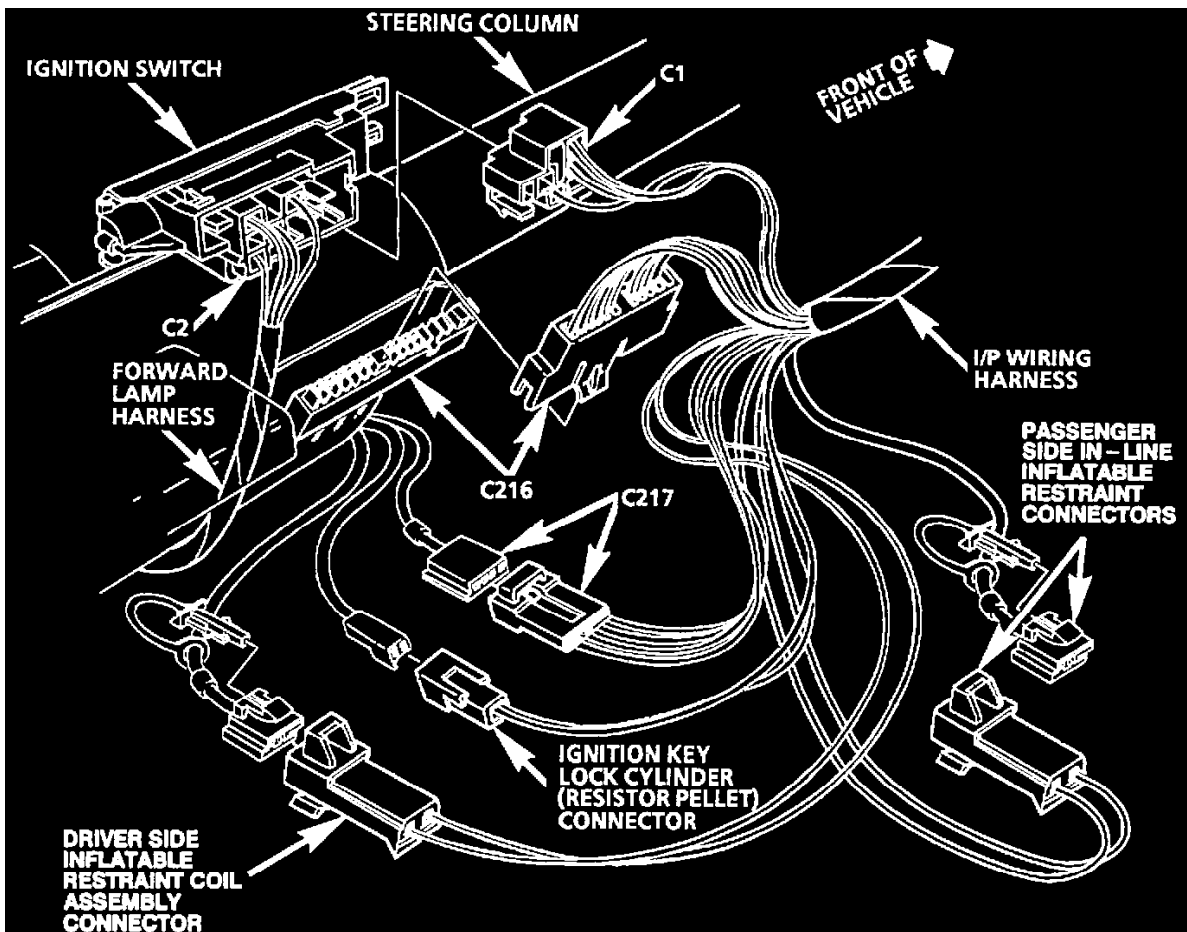
Behind Lower RH Side Of I/P



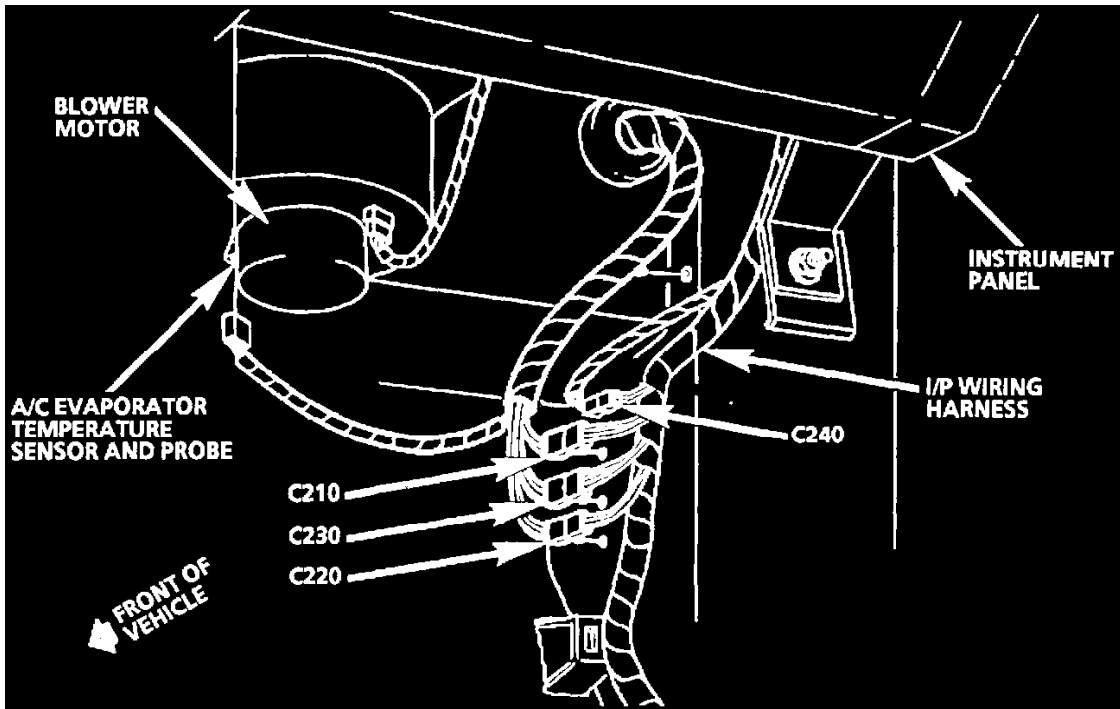
Bottom Of Steering Column



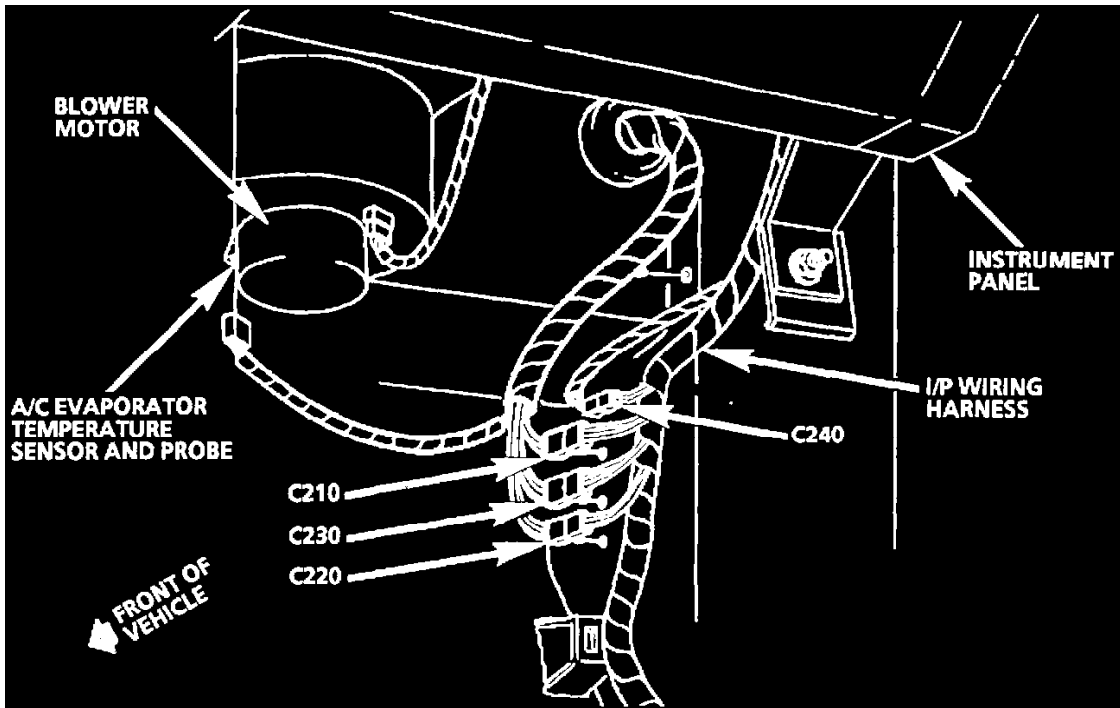
Bottom Of Steering Column



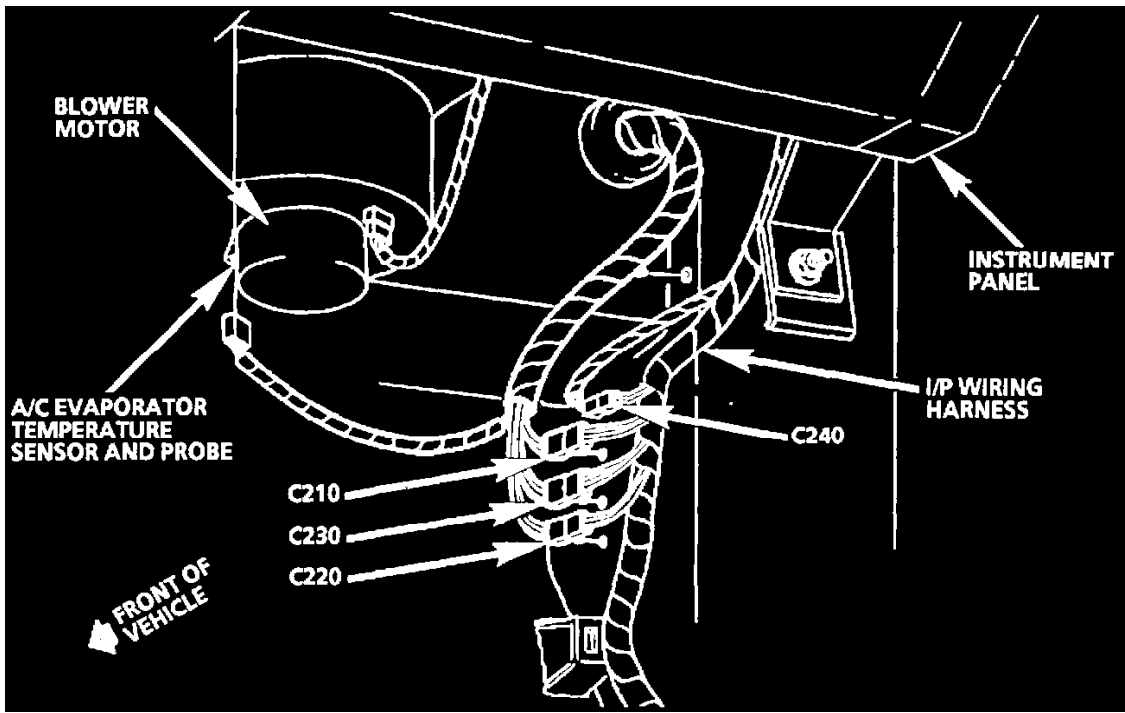
Bottom Of Steering Column



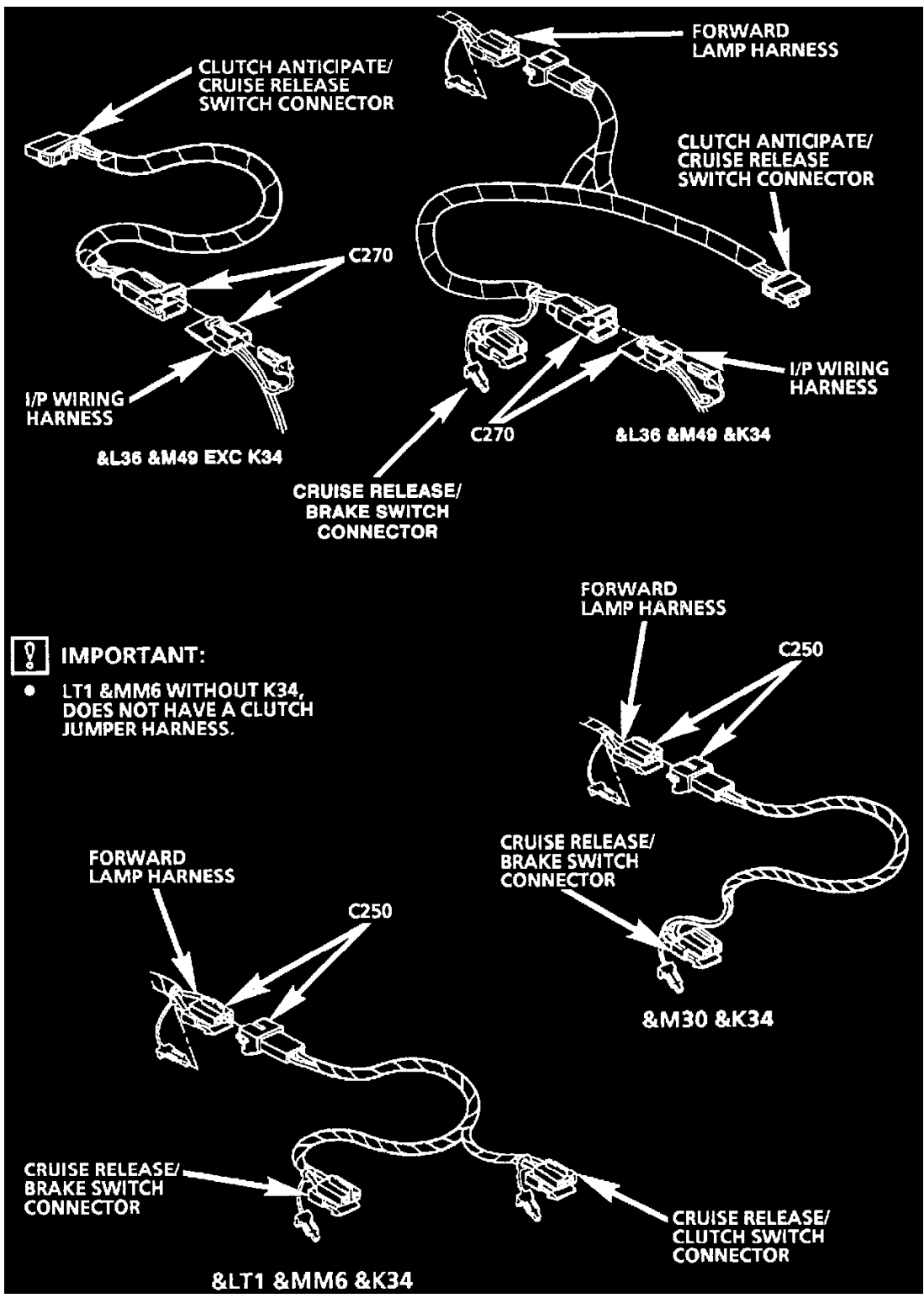
Behind Lower RH Side Of I/P



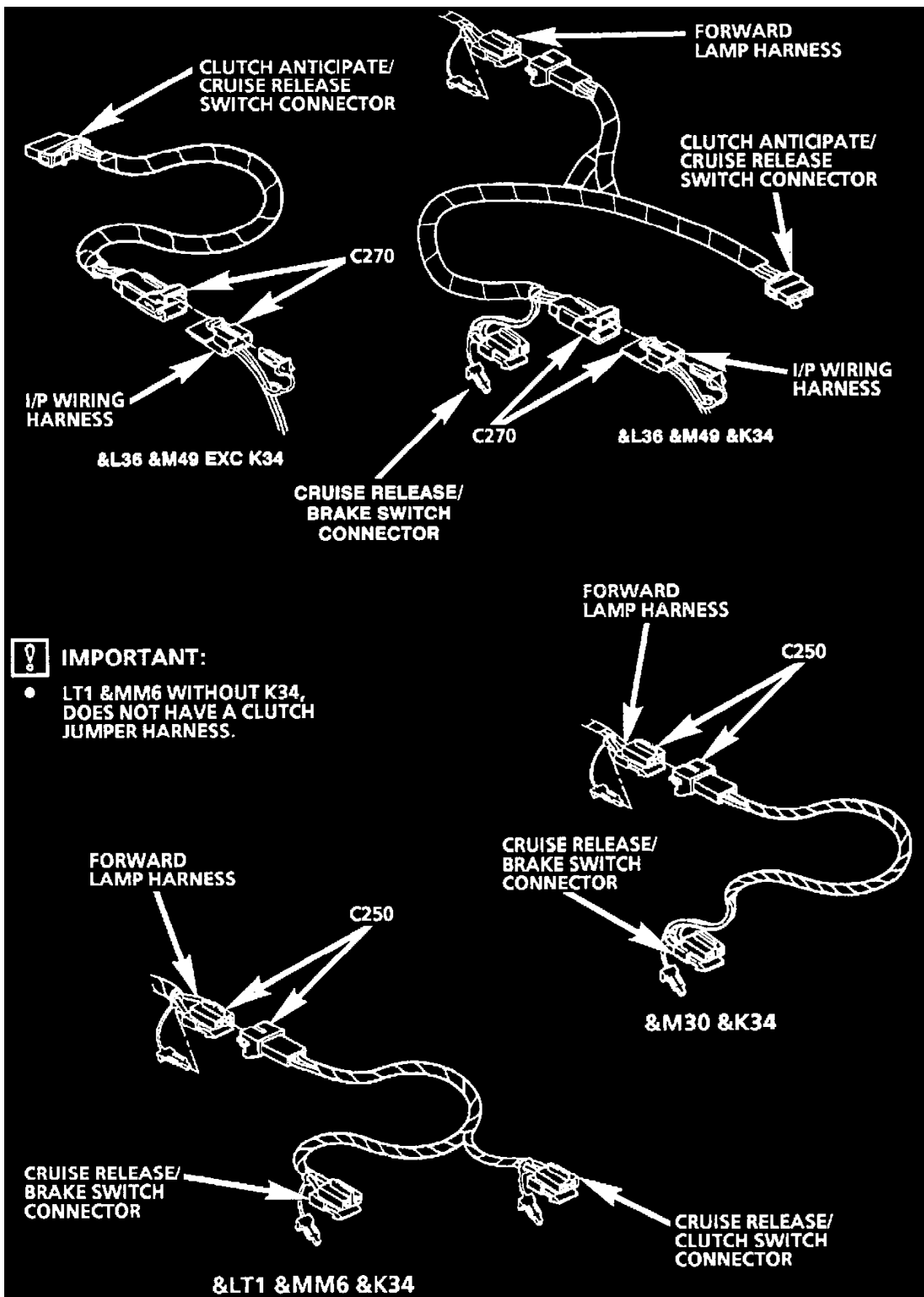
Behind Lower RH Side Of I/P



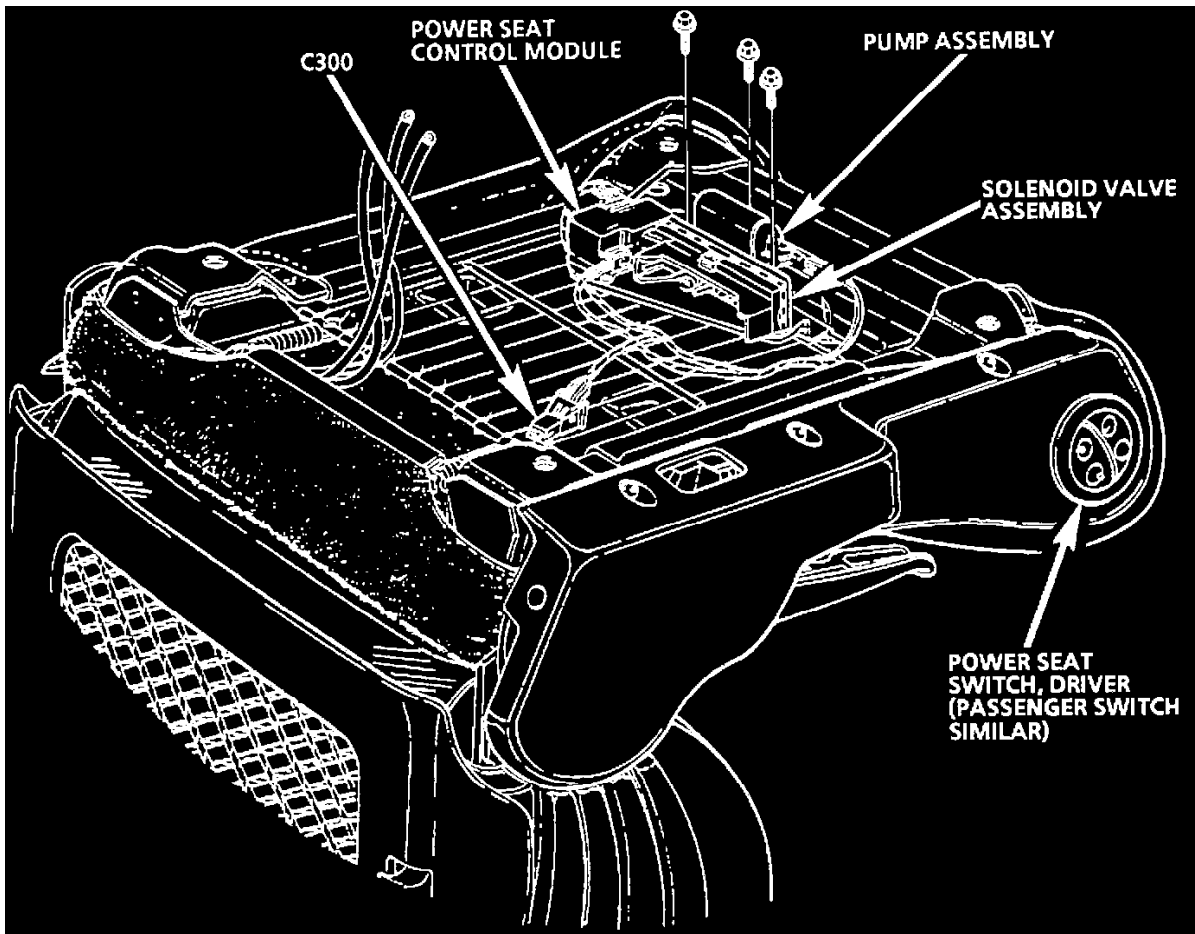
Behind Lower RH Side Of I/P



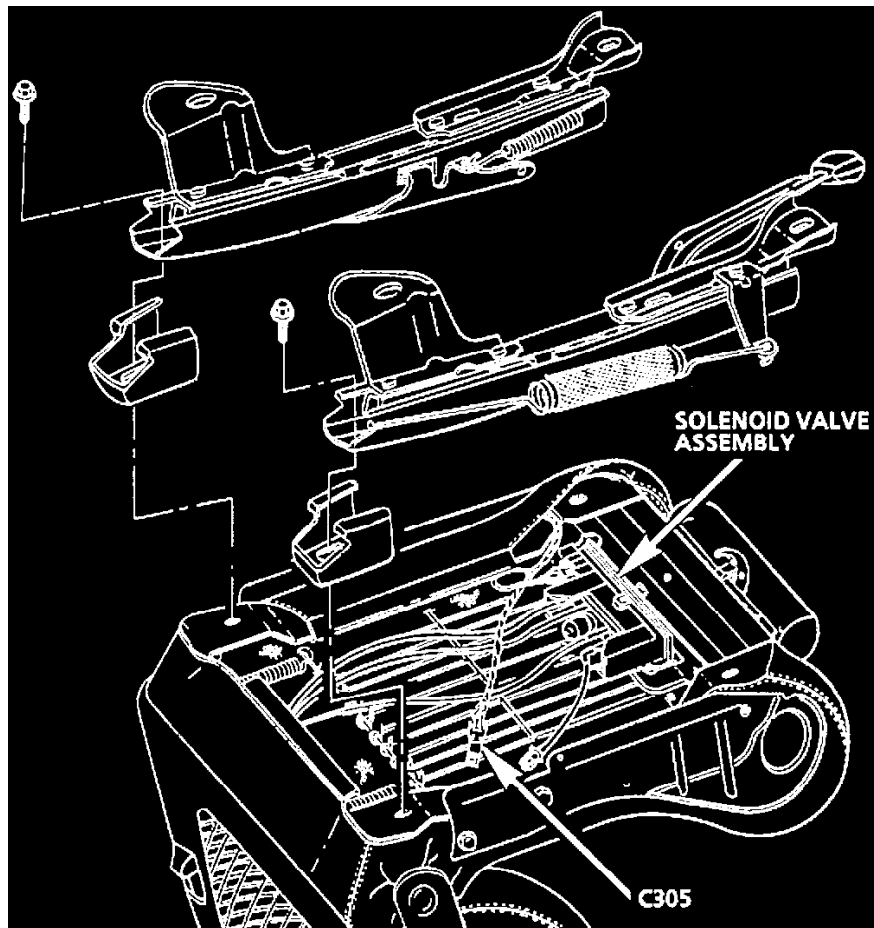
Clutch Jumper Harness Combinations - Manual (M49 Or MM6)



Clutch Jumper Harness Combinations - Manual (M49 Or MM6)

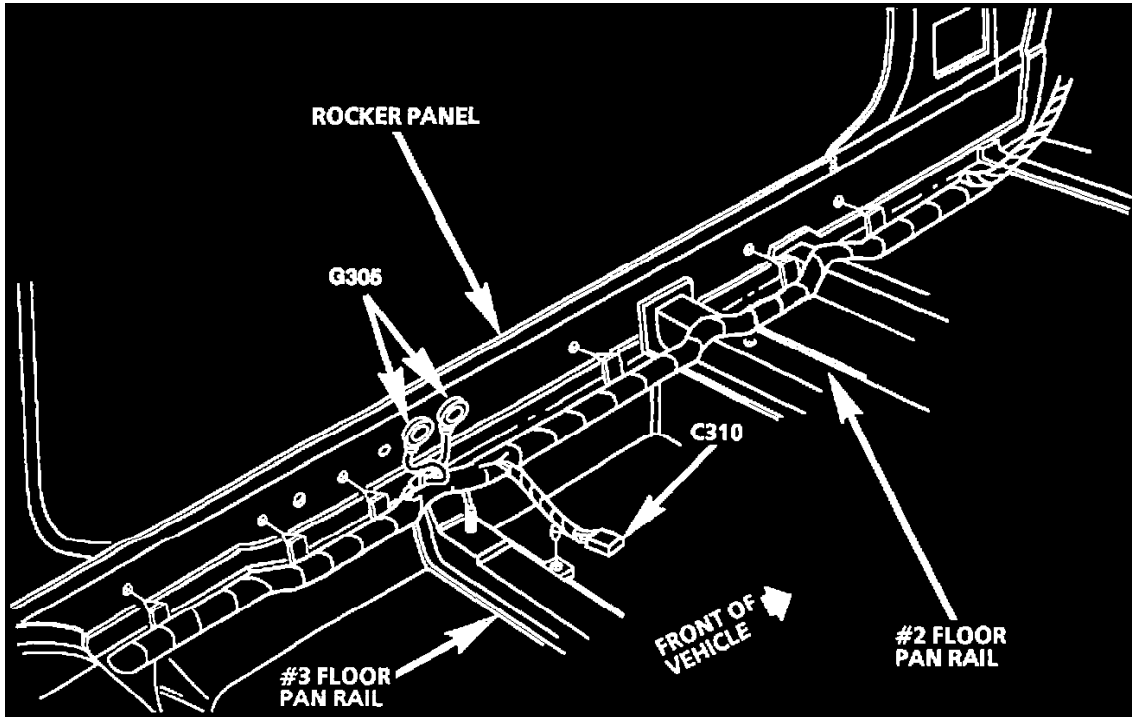


Under Driver's Seat (AQ9)

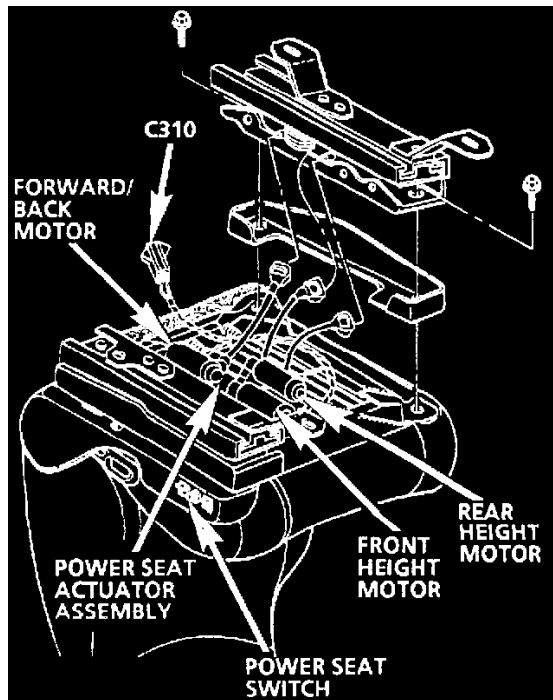




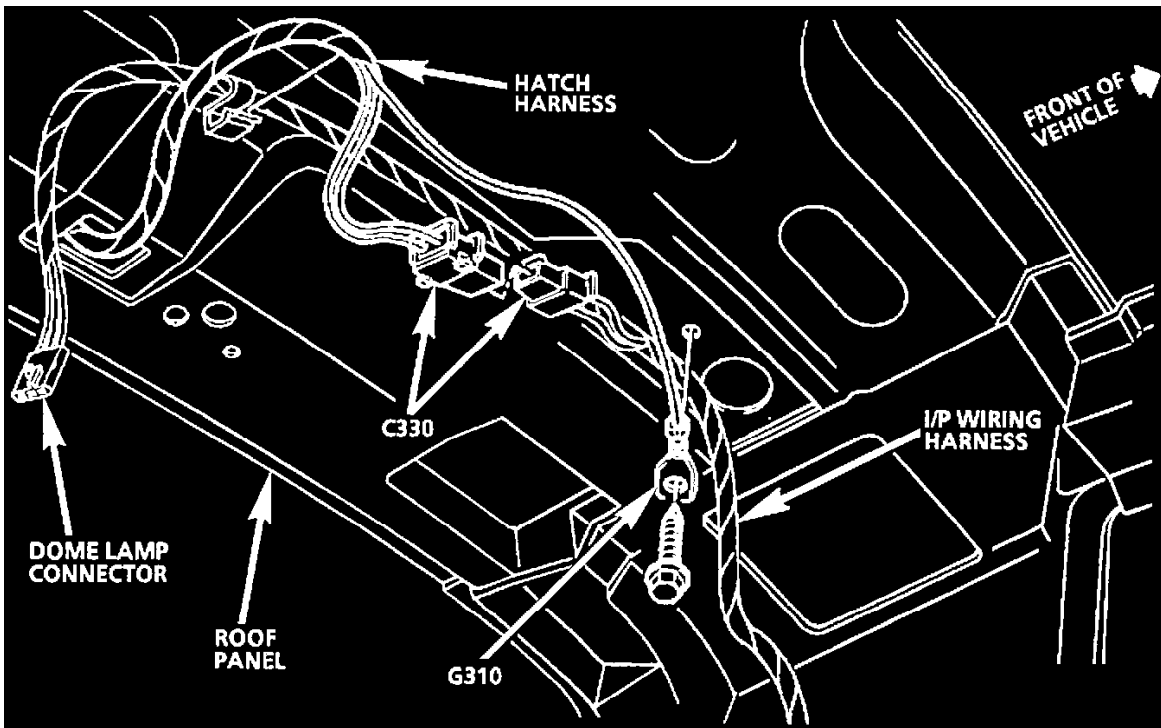
Under Passenger Seat (AQ9)



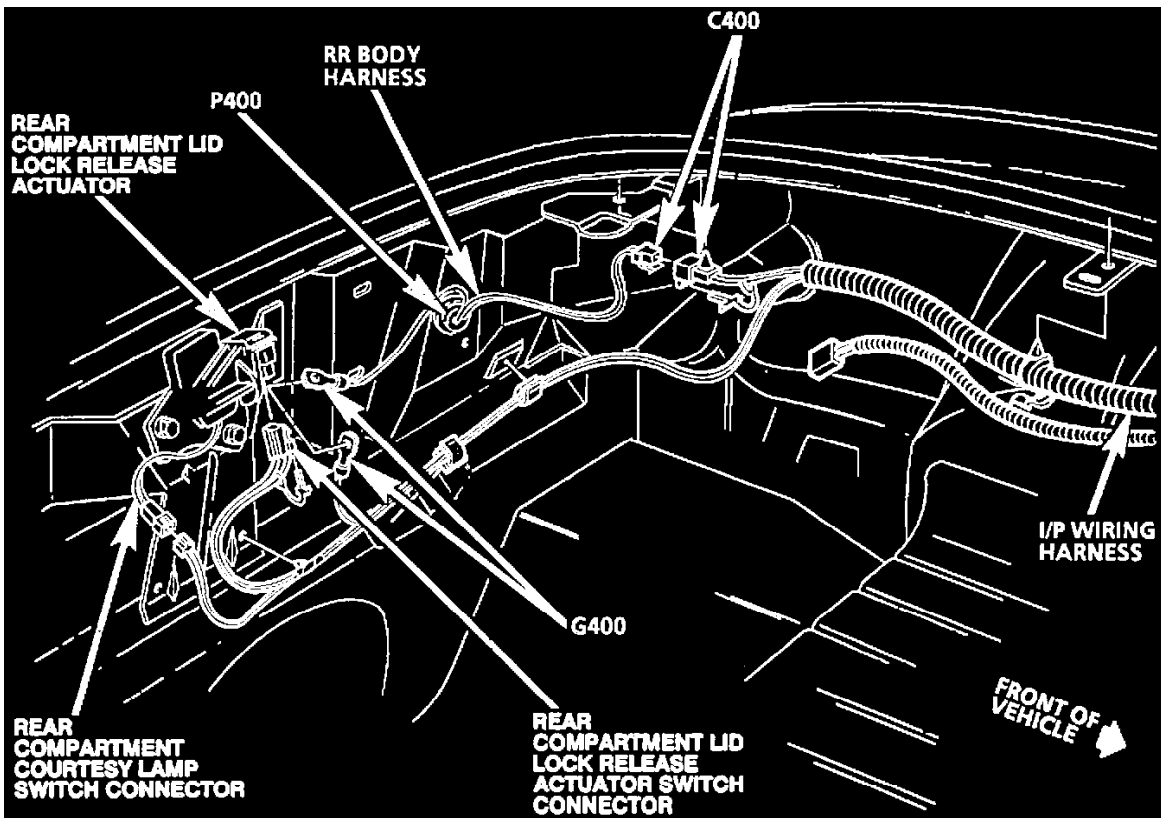
LH Rocker Panel



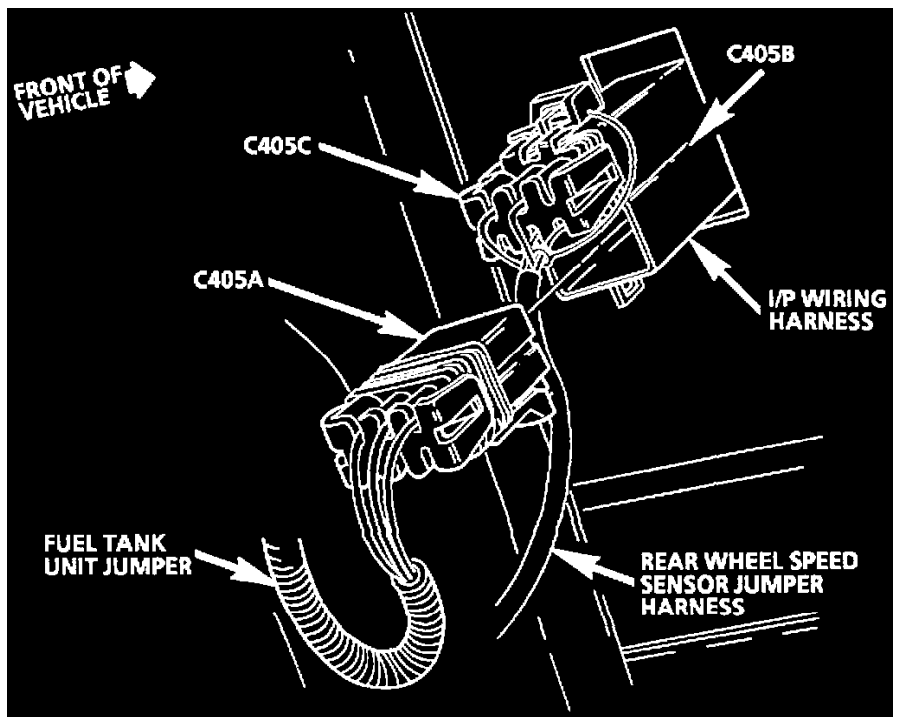
Bottom Of Driver Seat (AG1)



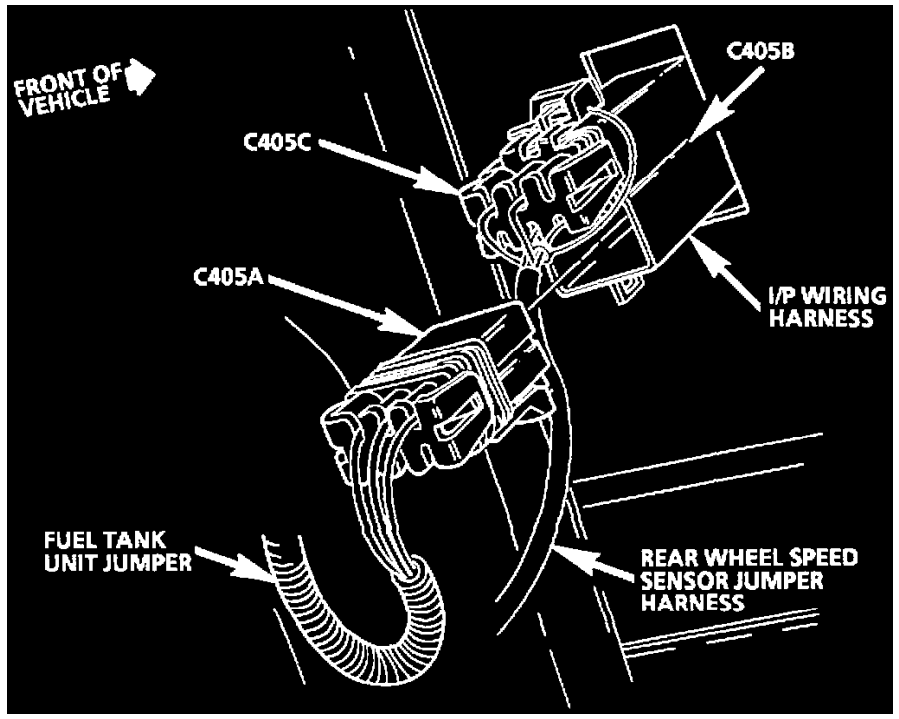
Center Rear On Roof Panel (Coupe)



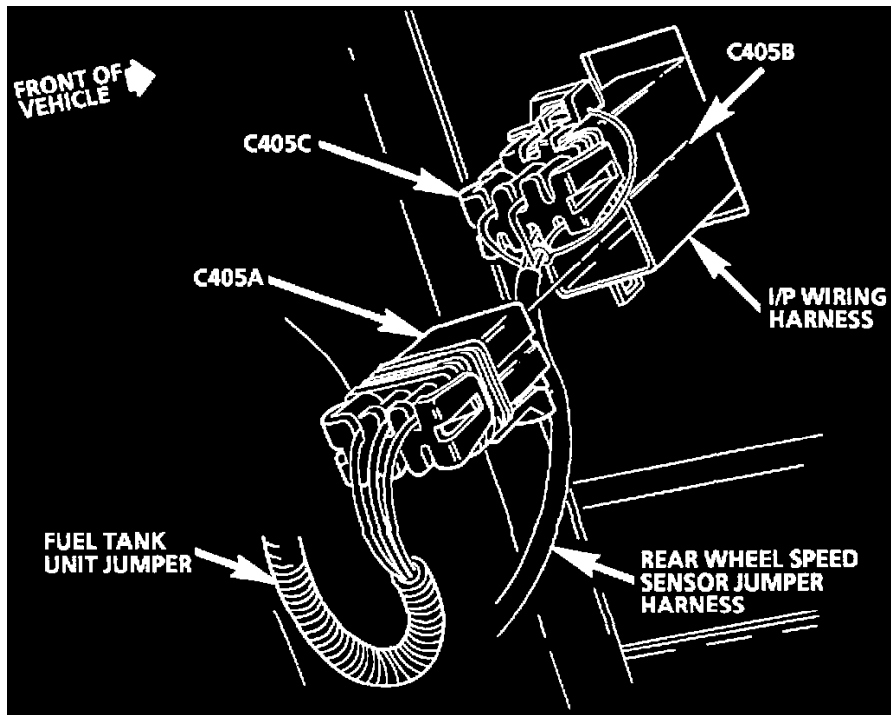
LH Rear Cargo Compartment



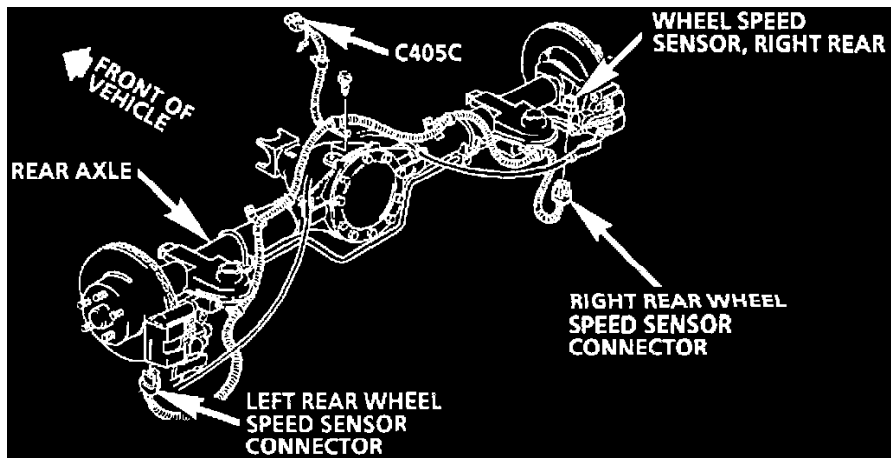
Forward Of LH Side Of Rear Axle



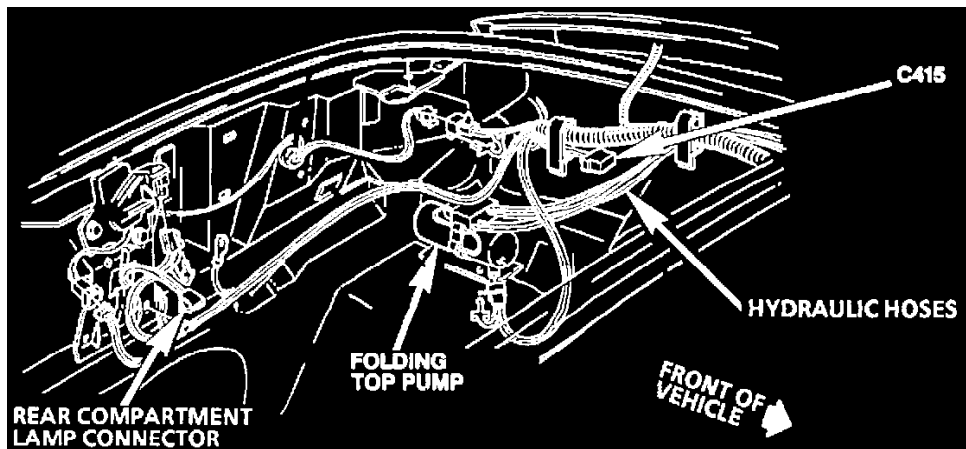
Forward Of LH Side Of Rear Axle



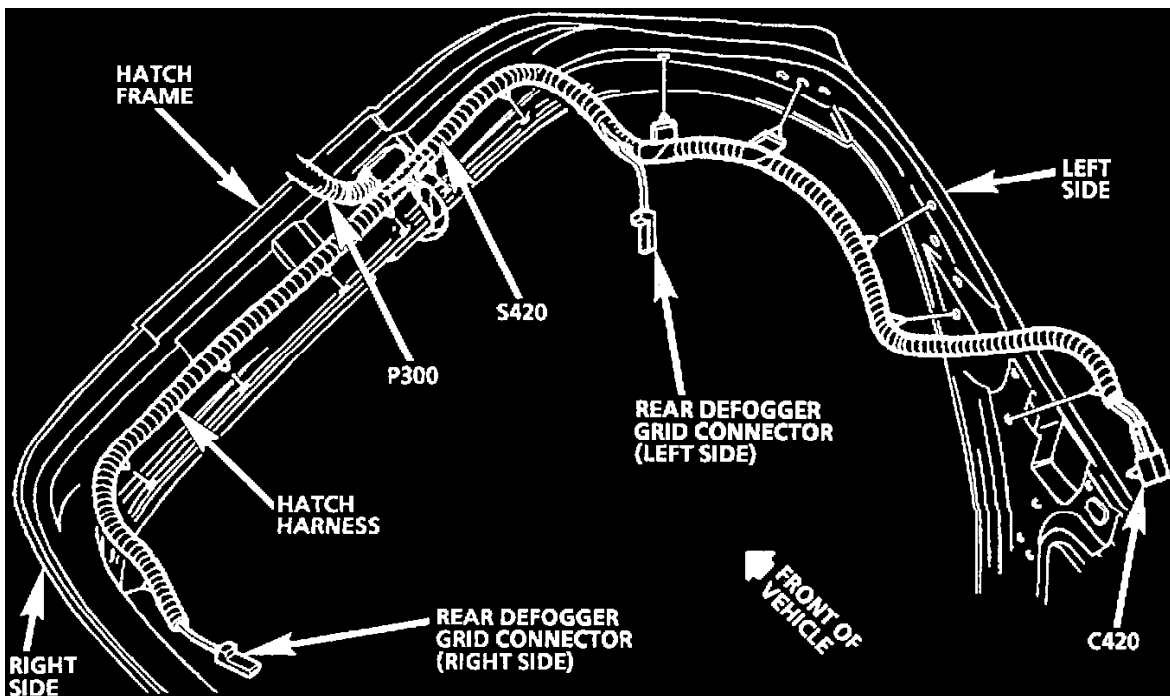
Forward Of LH Side Of Rear Axle



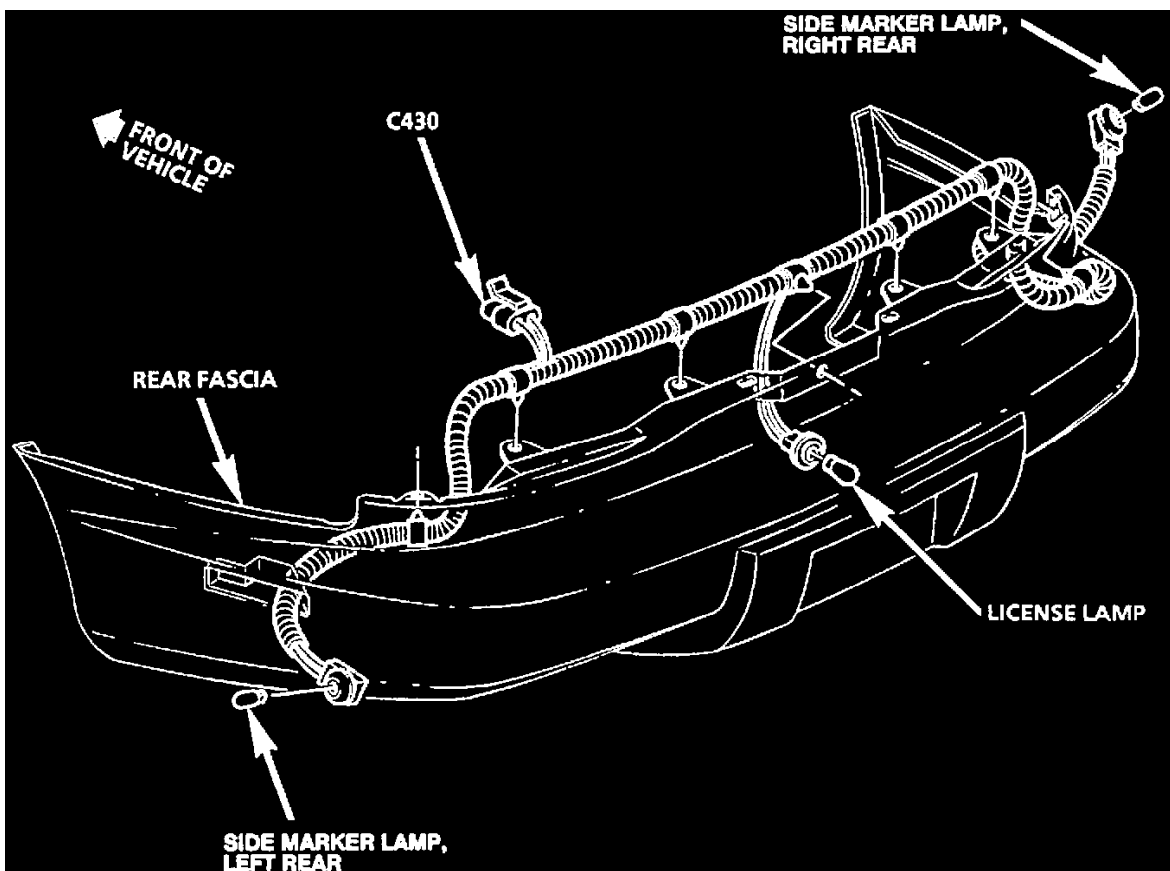
Rear Axle And Differential (With NW9)



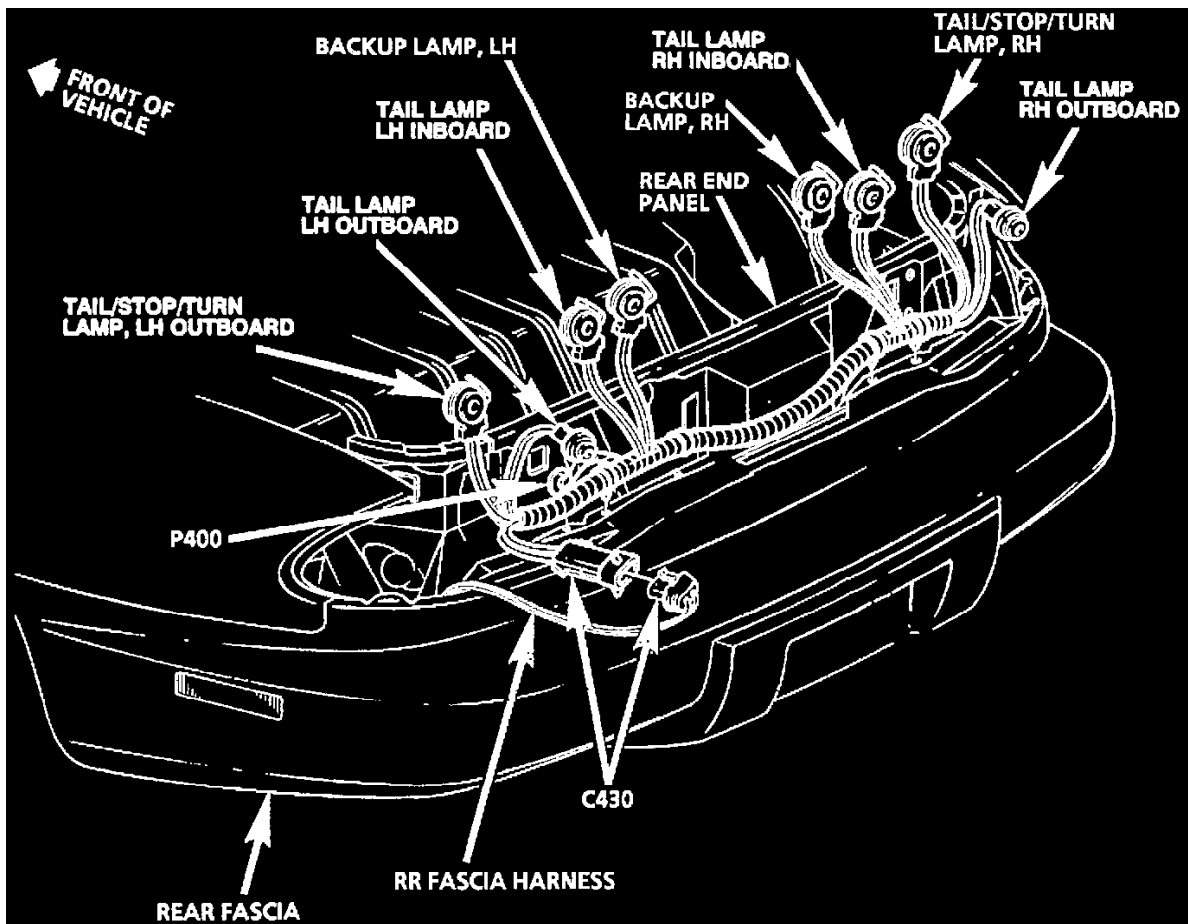
LH Rear Cargo Compartment (Convertible)



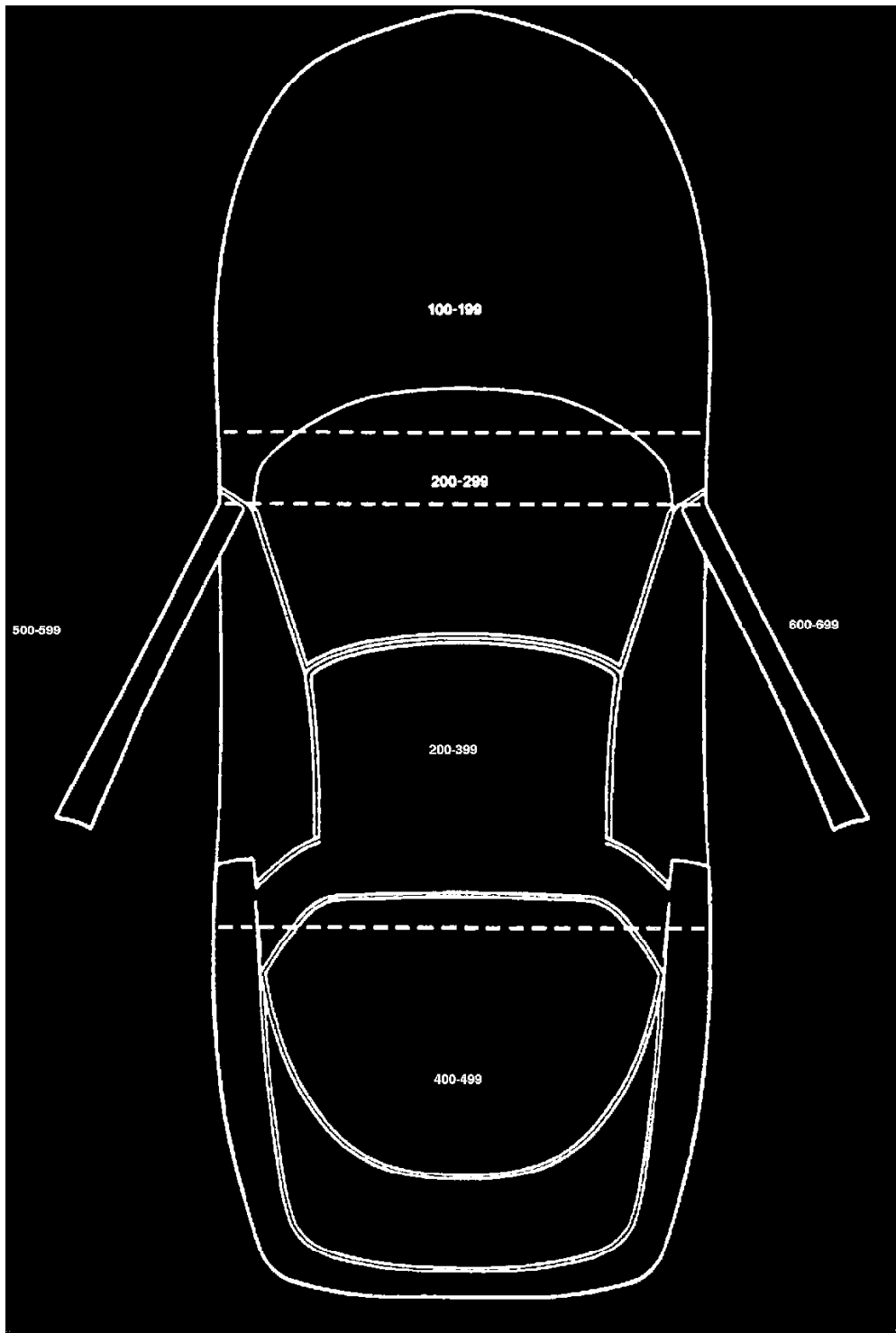
Bottom Side Of Hatch, Shown Upside Down (Coupe)



Rear Fascia



Rear Of Vehicle (Chevy, Pont Similar)



Vehicle Zoning

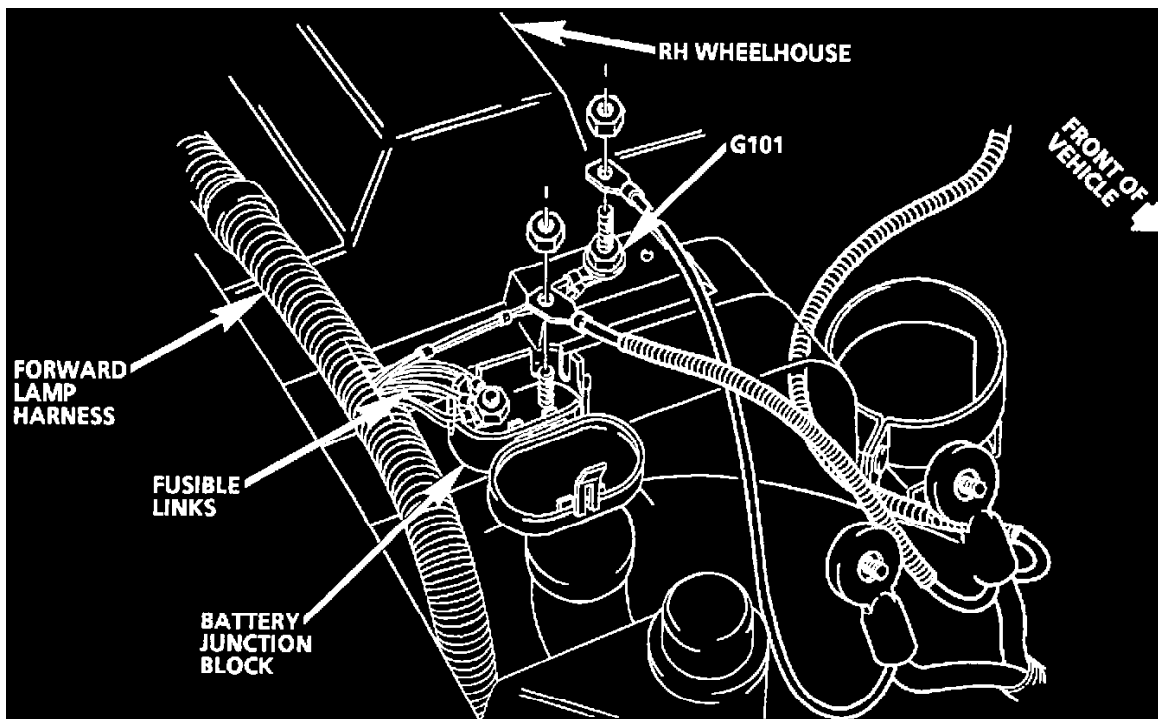
<b>CALLOUT NUMBERS (For Splices, Connectors, and Pass-Thru Grommet)</b>	<b>ZONE DESCRIPTION</b>
100-199	All forward of and including dash panel
200-299	Within Instrument Panel area
300-399	Passenger Compartment, forward of hatch
400-499	Hatch area, to rear of vehicle
500-599	To and within left door
600-699	To and within right door

### Vehicle Zoning

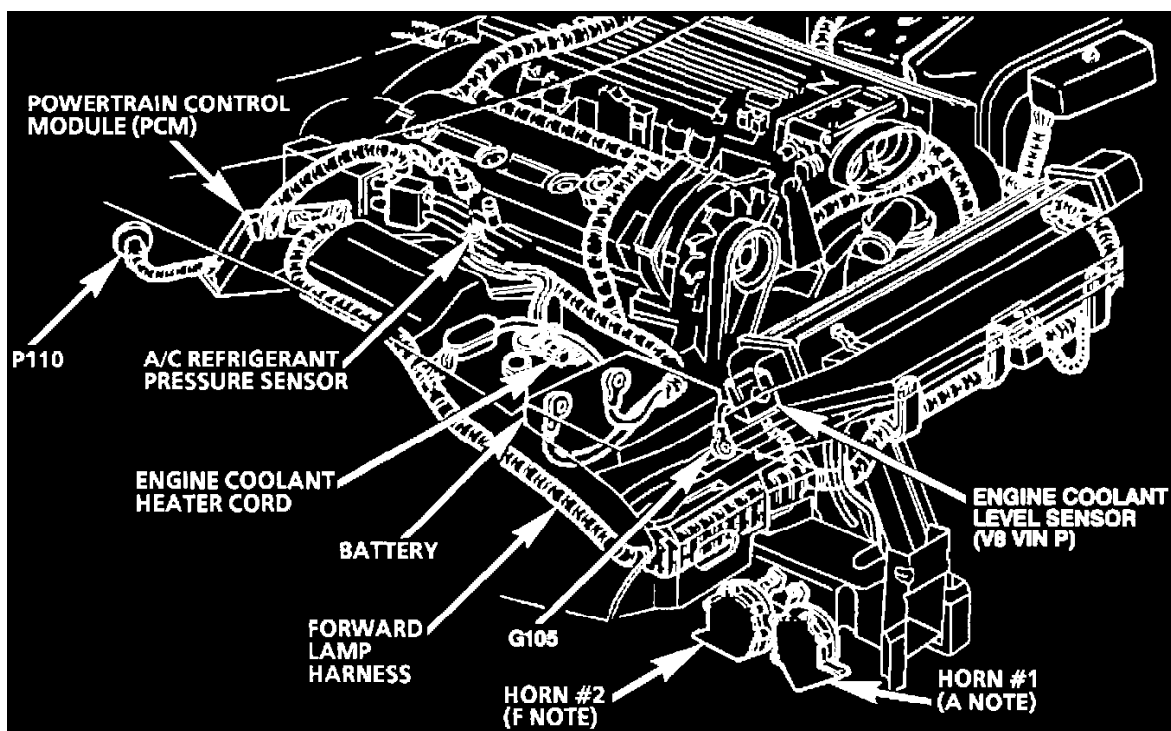
### Text List of Connector Locations

C100 (10 cavities)	Engine to Forward Lamp Harn, attached to RH wheelhouse
C105 (8 cavities)	Engine to Forward Lamp Harn, behind RH wheelhouse and attached to PCM bracket
C110 (V6 VIN K)	RH front of Engine, bolted to pulley just above A/C Clutch Compressor Connector
C120 (2 cavities)	Forward Lamp to Wheel Speed Jumper Harn, mounted to LH Frame Rail
C130 (2 cavities)	Forward Lamp to Wheel speed Jumper Harn, mounted to RH Frame Rail
C140 (4 cavities)	Engine to Distributor Jumper Harn, right side of Intake Plenum, attached to Evaporator Solenoid Valve
C160 (3 cavities)	LH Headlamp to Forward Lamp Harn, behind Headlight Door Bracket
C165 (3 cavities)	RH Headlamp to Forward Lamp Harn Jumper, behind Headlight Door Bracket
C200A (17 cavities)	Forward Lamp to I/P Harn, between LH kick panel and Steering Column
C200B (18 cavities)	Forward Lamp to I/P Harn, between LH kick panel and Steering Column
C200C (13 cavities)	Cross Car to I/P Harn, between LH kick panel and Steering Column
C200D (43 cavities)	Part of I/P Harn, between LH kick panel and Steering Column
C210 (4 cavities)	I/P to Engine Harn Under RH side of I/P behind RH kick panel
C215 (11 cavities)	Forward Lamp to Steering Column Harn, near base of Steering Column
C216 (11 cavities)	I/P to Steering Column Harn, Attached to base of Steering Column
C217 (4 cavities)	I/P to SIR Coil Assembly Harn, near base of Steering Column
C220 (10 cavities)	I/P to Engine Harn Under RH side of I/P, behind kick panel
C230 (10 cavities)	Under RH side of I/P, behind kick panel
C240 (6 cavities)	Cross Car to I/P Harn, Under RH side of I/P, behind Kick panel
C250 (2 cavities)	Forward Lamp Harn to Clutch Jumper Harn near brake/clutch pedal bracket
C270 (2 cavities)	I/P Harn to Clutch Jumper Harn, near brake/clutch pedal bracket
C300 (6 cavities) (AQ9)	Seat Jumper to Driver Seat Harn, under Driver Seat Assembly
C305 (6 cavities) (AQ9)	Seat jumper to Passenger Seat Harn, under Passenger Seat Assembly
C310 (2 cavities)	Between rear mounting bolt of Driver Seat near #3 Rail
C310 (2 cavities)	I/P to Driver Seat Harn (AG1) or to Seat Jumper Harn (AQ9) between rear mounting bolt of Driver Seat near #3 Rail
C320 (1 cavity) (Conv)	Convertible Rear Defogger Jumper to I/P Harn, Under left Interior Garnish Molding above left rear wheelhouse
C330 (3 cavities) (Coupe)	Hatch to I/P Harn, center of roof near Dome Lamp
C330 (3 cavities)	Hatch to I/P Harn, center of roof near Dome Lamp
C400 (6 cavities)	I/P to Rear Body Harn, LH Rear Cargo Compartment, between rear end panel and carpet
C400 (6 cavities)	LH Rear Cargo Compartment, between rear end panel and carpet
C405A (3 cavities)	Fuel Tank Unit pigtail to I/P Harn, part of Pass-Through Connector, forward of rear axle, to Fuel Tank Unit
C405B (10 cavities)	Fuel Tank Unit pigtail to I/P Harn, part of Pass-Through Connector, forward of rear axle, to Fuel Tank Unit
C405C (4 cavities)	Rear Wheel Speed sensor Jumper to I/P Harn, part of Pass-Through CONN, forward of rear axle, to Speed Sensor (ABS)
C420 (2 cavities)	Hatch to HMSL Jumper Harn, LH side of Hatch, between Hatch Frame and plastic panel (Coupe) or I/P to HMSL Jumper Harn, LH underside of Deck Lid (Conv)
C430 (2 cavities)	Rear Body to Rear Fascia Harn, Between Rear Fascia and rear end panel, on LH side

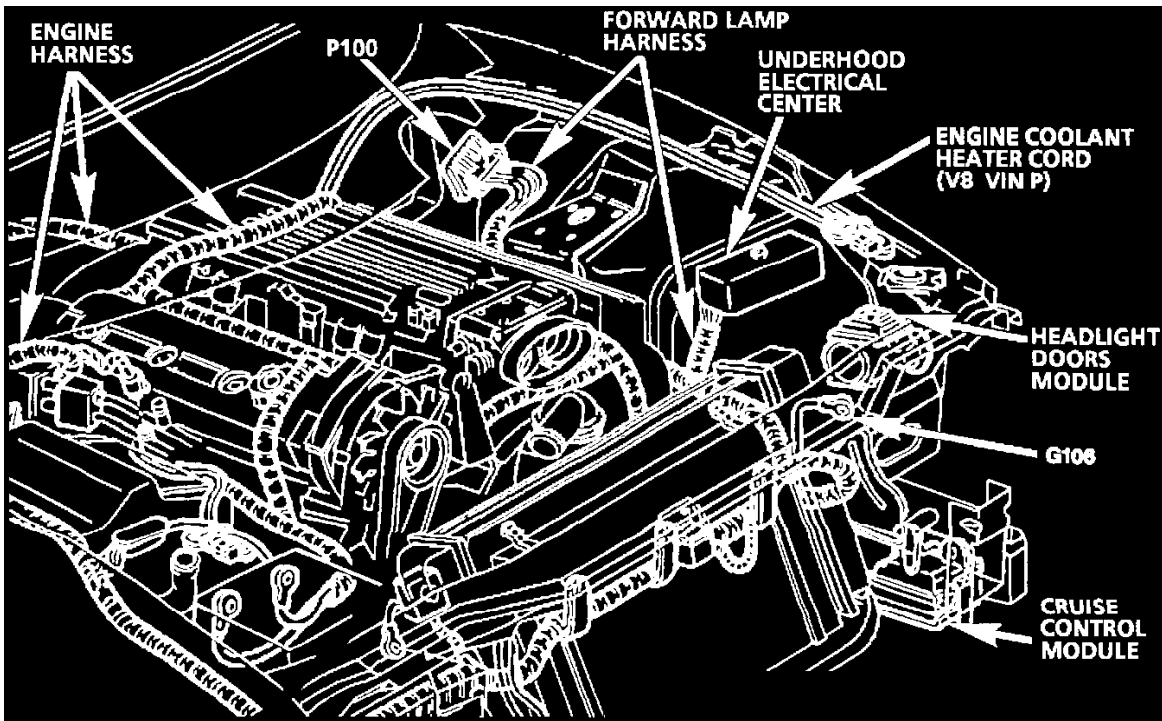




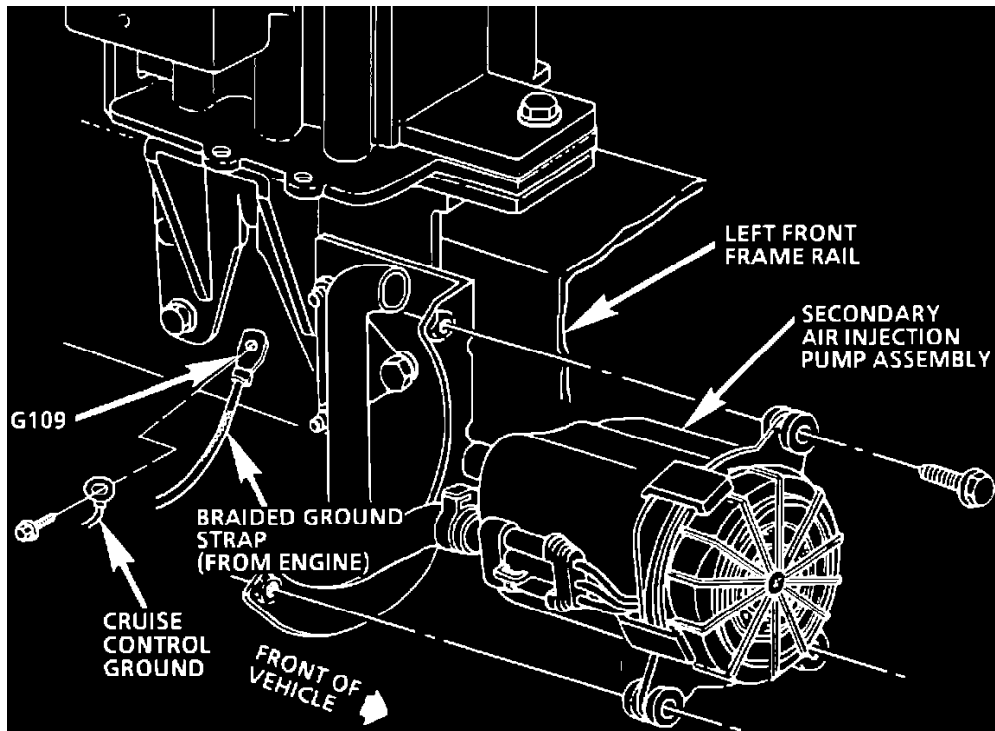
RH Wheel House



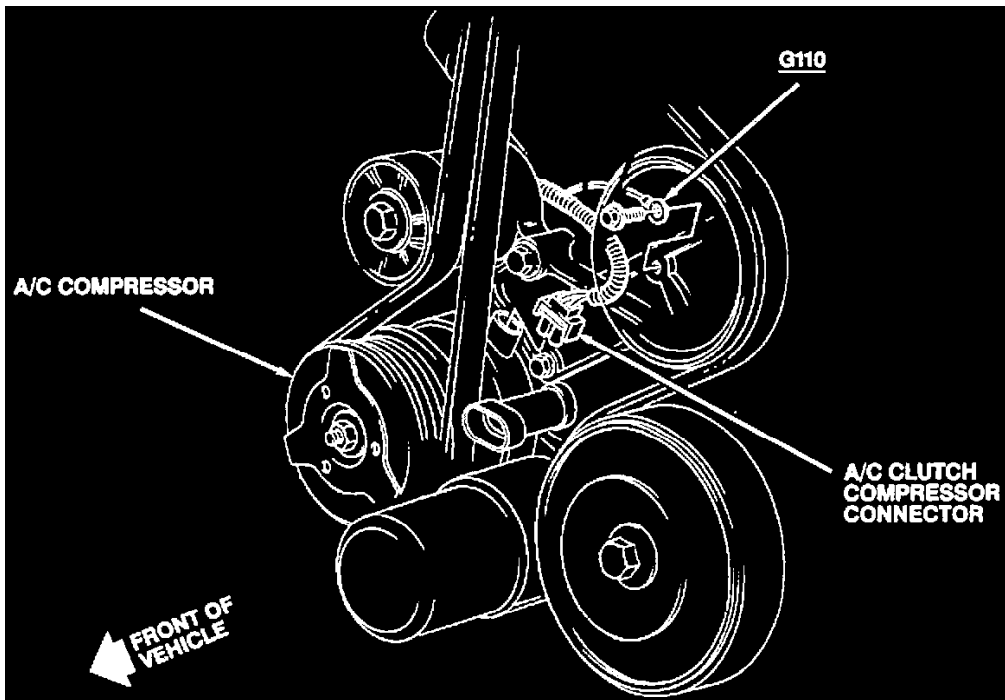
Engine Compartment



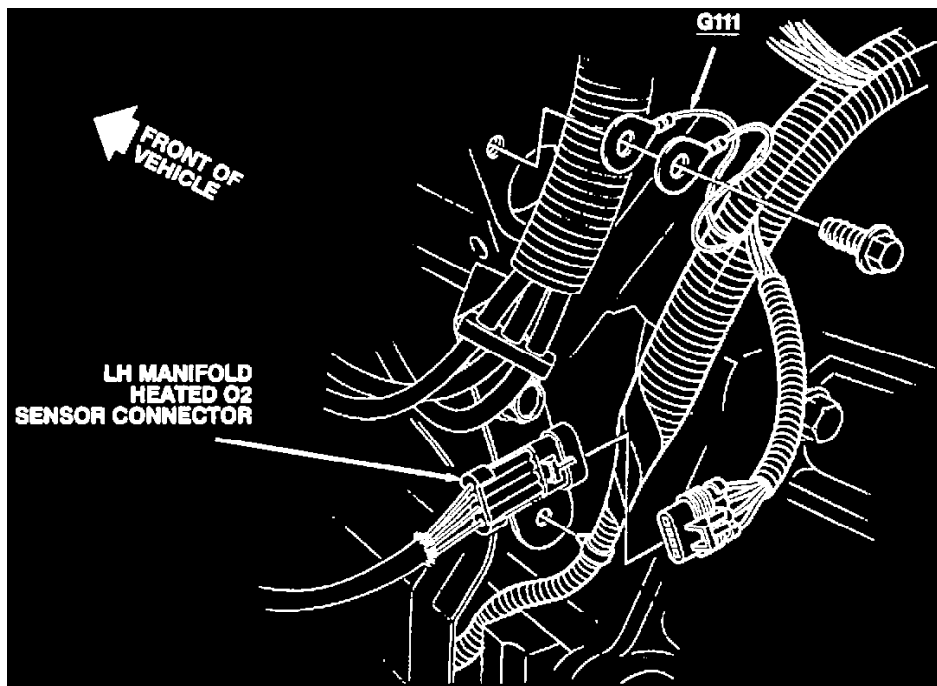
Engine Compartment



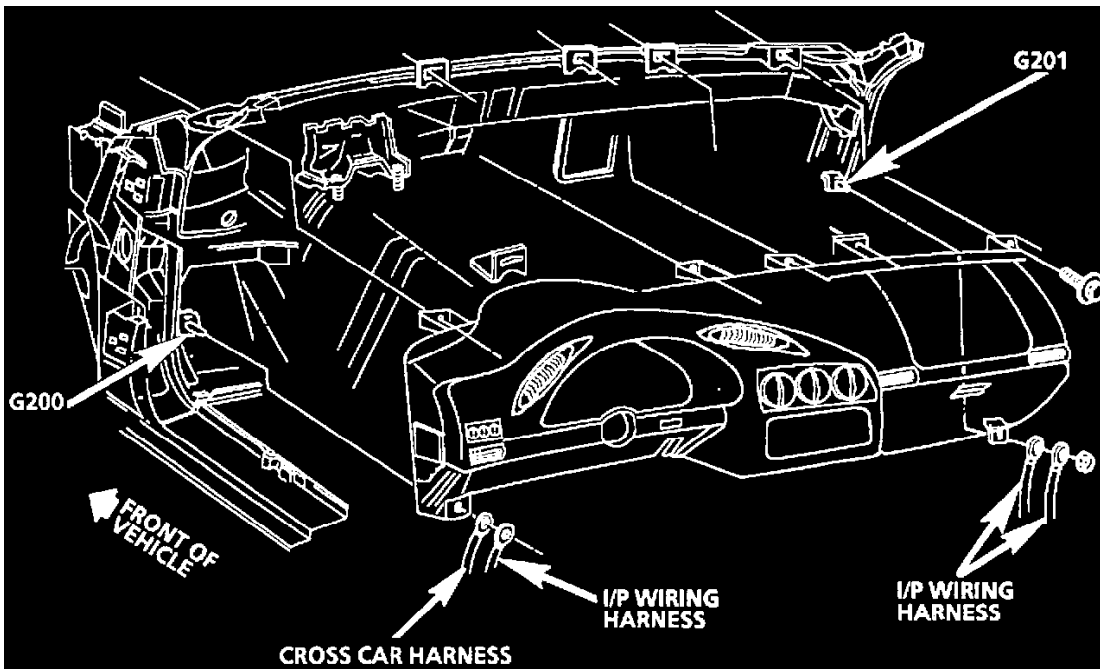
LH Front Frame Rail



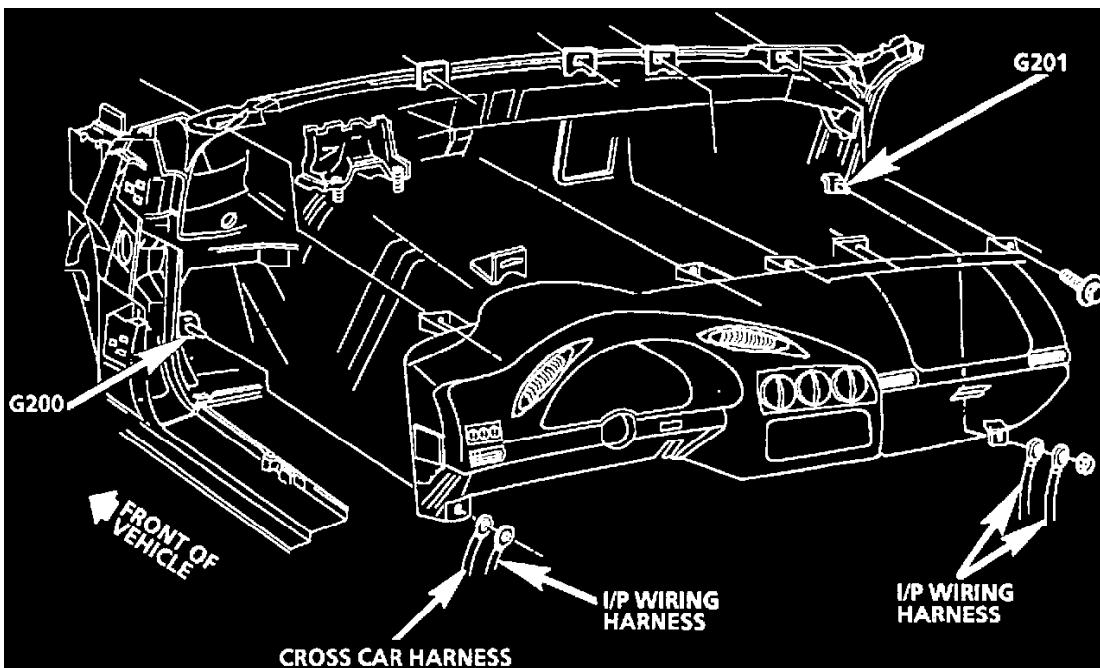
Front RH Side Of Engine



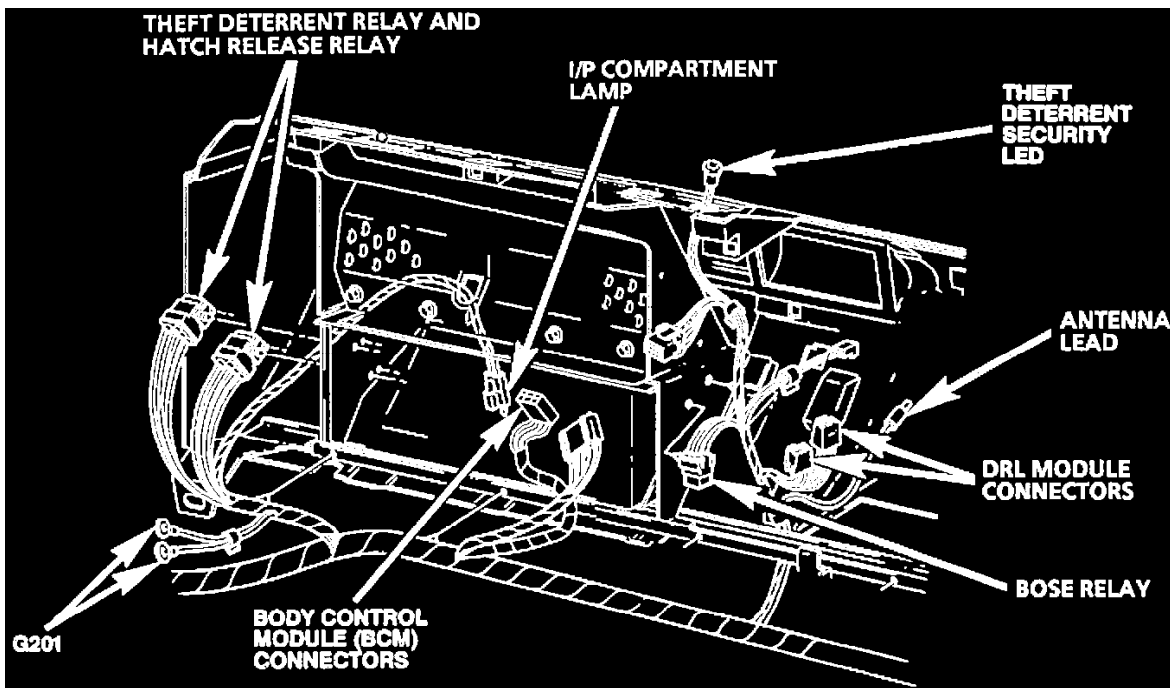
Rear LH Side Of Engine



I/P Grounds (Chevy Shown Pontiac Similar)



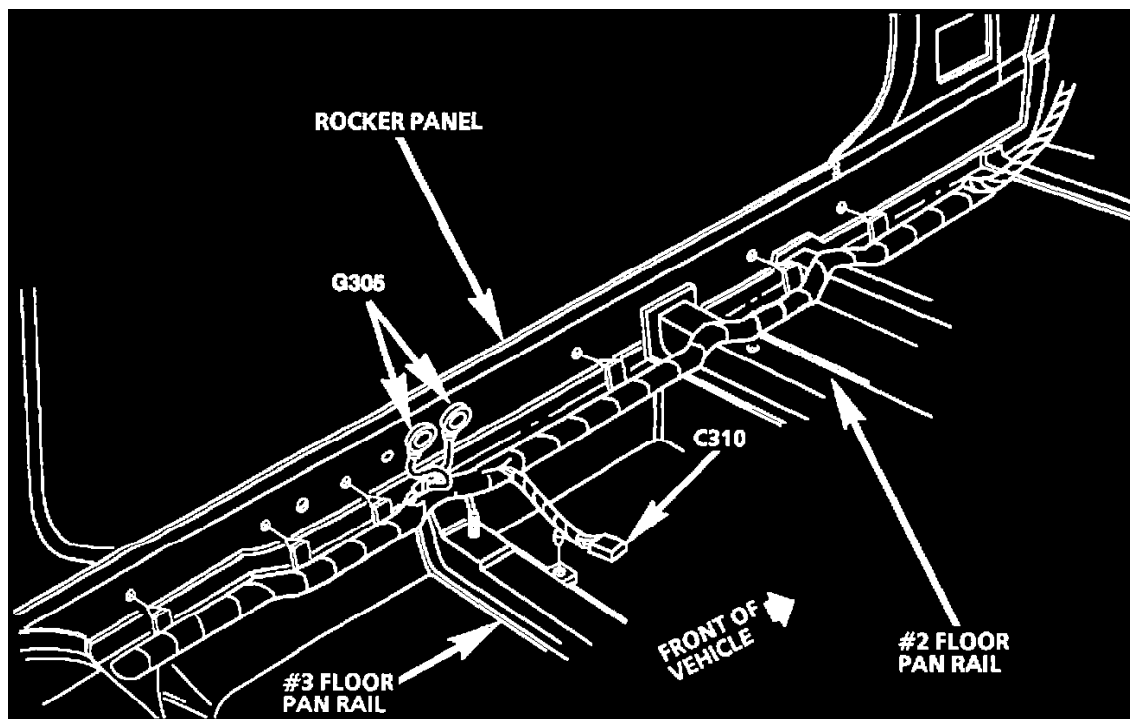
I/P Grounds (Chevy Shown Pontiac Similar)



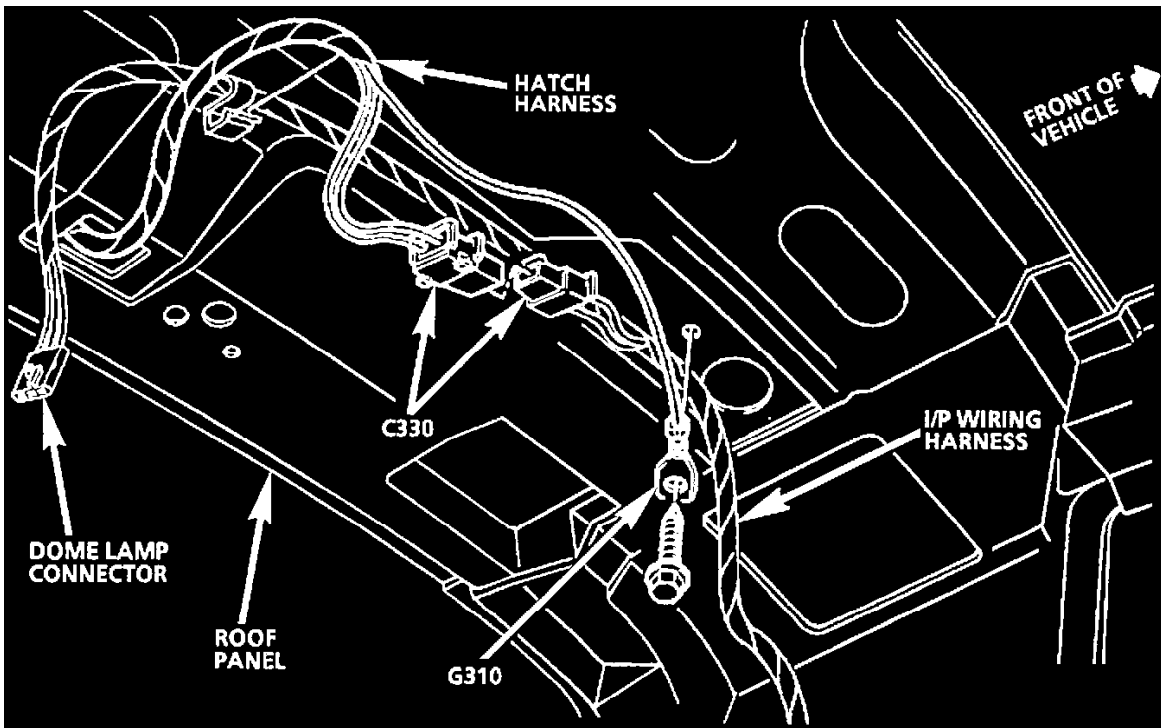
Behind RH Side Of I/P

**G301**

Bolted to floor pan under center console behind Inflatable Restraint Diagnostic Energy Reserve Module



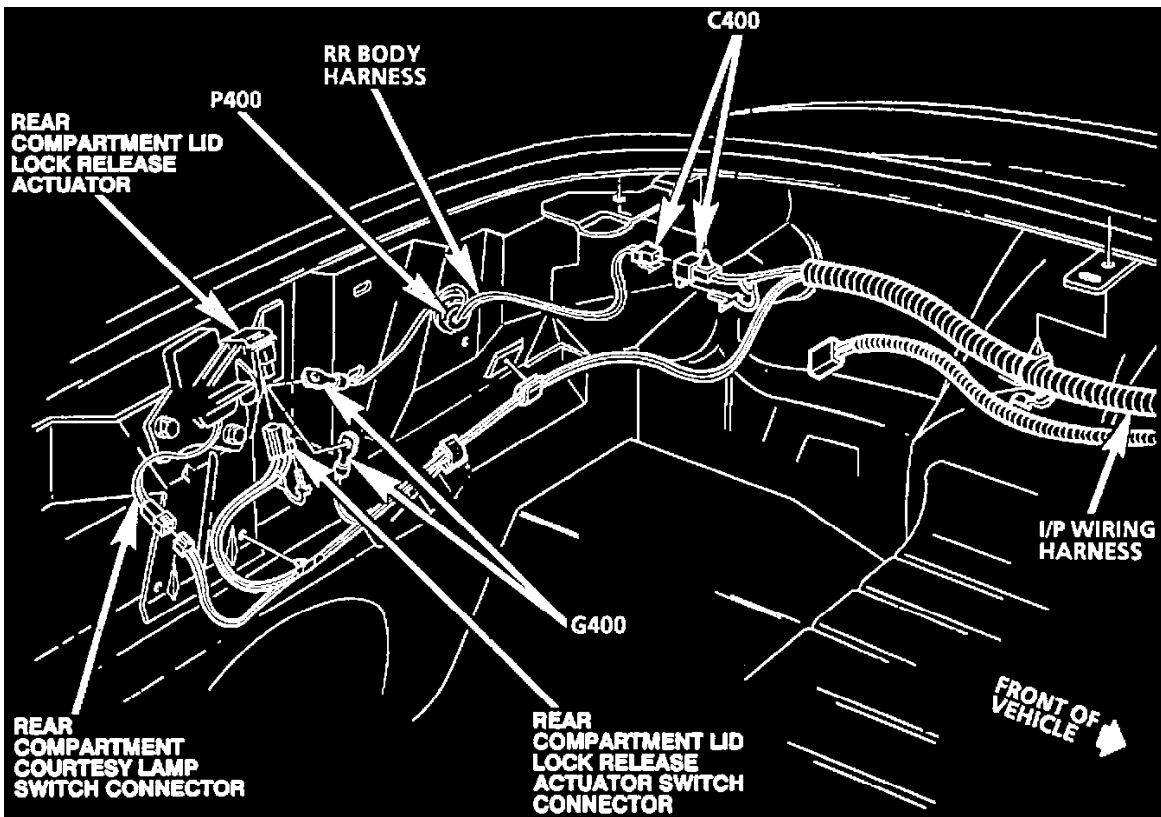
LH Rocker Panel



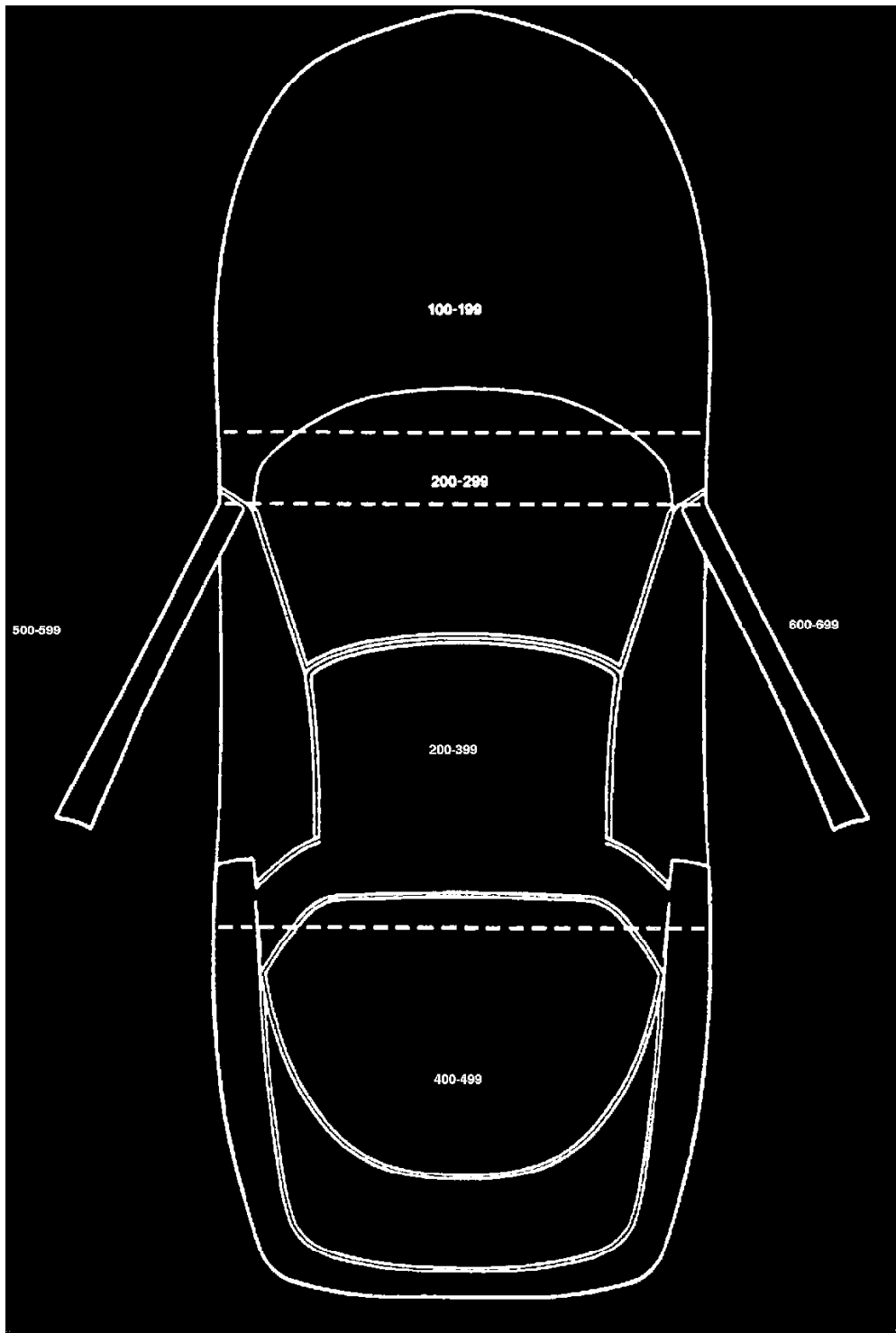
Center Rear On Roof Panel (Coupe)

### G320

Bolted to body frame above RH rear wheelhouse



LH Rear Cargo Compartment



Vehicle Zoning

CALLOUT NUMBERS (For Splices, Connectors, and Pass-Thru Grommet)	ZONE DESCRIPTION
100-199	All forward of and including dash panel
200-299	Within Instrument Panel area
300-399	Passenger Compartment, forward of hatch
400-499	Hatch area, to rear of vehicle
500-599	To and within left door
600-699	To and within right door

### Vehicle Zoning

### Text Description of Ground Locations

G100	Bolted to RH side of Engine Block, same bolt used for A/C Compressor if equipped
G101	Top of RH shock tower
G105	Near top RH side of radiator, in top of T-Bar
G106	Near top LH side of radiator, in top of T-Bar
G109	Bolted to left front frame rail
G110 (V6 VIN K)	RH front of Engine, bolted to pulley above A/C Clutch Compressor Connector
G110 (V8 VIN P)	RH side of Engine Block, just above Starter Motor
G110	Engine Harn, approx 14 cm from A/C compressor clutch CONN
G110	RH side of Engine Block, just above Starter Motor
G111 (V6 VIN K)	Out of Engine Harn, mounted to rear LH side of Engine above and rear of Manifold Heated Oxygen Sensor
G111 (V8 VIN P)	Mounted to front of LH Cylinder Head
G111	Rear LH side of Engine, bolted to Cylinder Head
G201	Near base of RH "A" pillar, bolted to I/P Mounting Stud behind kick panel (2 rings, 2 wires)
G301	Bolted to floor pan under center console behind Inflatable Restraint Diagnostic Energy Reserve Module
G305	Bolted to LH Rocker Panel at Floor Pan Bar #3 (2 rings, 2 wires, with Power Seats; 1 each without)
G310	Bolted to roof, left of Dome Lamp
G310	Hatch Harn, bolted to roof left of Dome Lamp
G320	Bolted to body frame above RH rear wheelhouse
G400	Bolted to Hatch Release Bracket in Rear Compartment

### S101

Engine Harn, main branch approx 11 cm from Transmission breakout

### S102

Engine Harn, approx 13 cm from Injector 3 breakout

### S103

Engine Harn, approx 10 cm from Transmission breakout

### S104

Engine Harn, main branch approx 14 cm from Transmission breakout

### S108

Engine Harn, approx 6 cm from Injector 3 breakout

### S110

Engine Harn, approx 15 cm from Powertrain Control Module (PCM) breakout

### S111

Forward Lamp Harn, approx 3 cm from Wiper Motor Assembly breakout

### S112

Forward Lamp Harn, approx 10 cm from G105 breakout

### S113

Forward Lamp Harn, approx 13 cm from Underhood Electrical Center breakout

### S114

Engine Harn, approx 50 cm back from A/C Compressor Clutch Connector

### S115



Engine Harn, approx 47 cm back from A/C Compressor Clutch Connector

**S117**

Engine Harn, approx 28 cm back from A/C Compressor Clutch Connector

Engine Harn, approx 16 cm from Transmission breakout

**S119**

Engine Harn, main branch approx 4 cm from Transmission breakout

**S122**

Engine Harn, approx 14 cm from transmission breakout

**S132**

Engine Harn, approx 19 cm from main branch, in PCM breakout

**S144**

Engine Harn, approx 3 cm from Injector 3 breakout

**S145**

Engine Harn, approx 7 cm from Injector 3 breakout

**S150**

Forward Lamp Harn, approx 22 cm forward of Underhood Electrical Center breakout, on lighting branch

**S151**

Forward Lamp Harn, main branch approx 3 cm from Hydraulic Modulator breakout

**S152**

Forward Lamp Harn, approx 7 cm from G106 breakout

**S158**

Forward Lamp Harn, approx 7 cm from breakout on horn branch

**S160**

Forward Lamp Harn, approx 4 cm from Coolant Fan breakout

**S165**

Forward Lamp Harn, main branch approx 7 cm from Underhood Electrical Center breakout

**S173**

Forward Lamp Harn, approx 12 cm from main branch, in Underhood Electrical Center breakout

**S175**

Forward Lamp Harn, approx 12 cm from main branch, in Underhood Electrical Center breakout

**S180**

Forward Lamp Harn, approx 16 cm from main branch, in Underhood Electrical Center breakout

**S189**

Forward Lamp Harn, approx 5 cm from main branch, in Second Air Injection Pump Motor breakout

**S200**

Forward Lamp Harn, approx 21 cm back from Ignition Start Switch Connector

**S201**

I/P Harn, main branch approx 5 cm from Horn Relay breakout

**S206**

I/P Harn, main branch approx 11 cm from Instrument Cluster breakout

**S207**

I/P Harn, approx 4 cm before Data Link Connector (DLC) breakout

**S208**

Cross Car Harn, main branch approx 5 cm from Power Window Control Module breakout

**S211**

I/P Harn, main branch approx 11 cm from Data Link CONN (DLC) breakout

**S212**

I/P Harn, main branch approx 4 cm from fuse block breakout

**S214**

I/P Harn, main branch approx 10 cm from Instrument Cluster breakout

**S215**

I/P Harn, main branch approx 11 cm from Theft Deterrent Security LED breakout

**S216**

I/P Harn, main branch approx 5 cm from Rear Window Defogger Switch breakout

**S217**

I/P Harn, approx 23 cm before DLC breakout

I/P Harn, main branch approx 15 cm from Body Control Module (BCM) breakout

**S218**

I/P Harn, approx 17 cm back from Radio Connectors breakout

**S219**

I/P Harn, main branch approx 4 cm from Data Link Connector (DLC) breakout

**S220**

Cross Car Harn, main branch approx 22 cm from Rearview Mirror breakout

**S221**

I/P Harn, main branch approx 2 cm from Body Control Module (BCM) breakout

**S222**

I/P Harn, approx 83 cm from main branch, in Inflatable Restraint SDM breakout

**S223**

I/P Harn, main branch approx 4 cm from Inflatable Restraint SDM breakout

**S224**

I/P Harn, main branch approx 31 cm from Instrument Cluster breakout

**S225**

I/P Harn, approx 10 cm from main branch, in Inflatable Restraint Diagnostic Energy Reserve (with sensor) Module (SDM) breakout

**S226**

I/P Harn, approx 10 cm from main branch in Headlamp Switch breakout

**S227**

I/P Harn, approx 17 cm from main branch, in Headlamp Switch breakout

**S228**

I/P Harn, main branch approx 24 cm from Headlamp Switch breakout

**S233**

I/P Harn, main branch approx 1 cm from Convenience Center breakout (PONT), or 7 cm from Instrument Cluster breakout (CHEVY)

**S234**

(Automatic) I/P Harn, main branch approx 16 cm from Theft Deterrent Relay breakout

**S237**

I/P Harn, main branch approx 6 cm from Body Control Module (BCM) breakout

**S239**

I/P Harn, main branch approx 1 cm from Body Control Module (BCM) breakout

**S240**

I/P Harn, main branch approx 17 cm from Antenna Cable breakout

**S241**

I/P Harn, main branch approx 4 cm from Antenna Cable breakout

**S242**

I/P Harn, approx 18 cm from Instrument Cluster breakout

**S243**

I/P Harn, approx 9 cm from Fuel Pump Relay breakout

**S247**

I/P Harn, approx 9 cm from Fuel Pump Relay breakout

**S248**

I/P Harn, approx 11 cm from Radio Connectors breakout

**S252**

I/P Harn, main branch approx 4 cm from Instrument Cluster breakout

**S253**

I/P Harn, main branch approx 7 cm from Instrument Cluster breakout

**S258**

I/P Harn, approx 4 cm from antenna cable breakout

**S260**

Cross Car Harn, main branch approx 9 cm from Rearview Mirror breakout

**S263**

Cross Car Harn, main branch approx 13 cm from Rearview Mirror breakout

**S264**

Cross Car Harn, main branch approx 13 cm from Body Control Module (BCM) breakout

**S267**

Cross Car Harn, main branch approx 24 cm from Rearview Mirror breakout

**S268**

Cross Car Harn, main branch approx 7 cm from Rearview Mirror breakout

**S270**

Forward Lamp Harn, approx 14 cm from main branch, in Electronic Brake Control Module (EBCM) breakout

**S271**

Forward Lamp Harn, approx 14 cm from main branch, in Electronic Brake Control Module (EBCM) breakout

**S272**

Forward Lamp Harn, approx 8 cm from main branch, in Electronic Brake Control Module breakout

**S273**

Forward Lamp Harn, main branch approx 20 cm from Electronic Brake Control Module (EBCM) breakout

**S275**

Forward Lamp Harn, approx 35 cm back from Ignition Start Switch Connector

**S276**

Forward Lamp Harn, approx 30 cm back from Ignition Start Switch Connector

**S278**

Forward Lamp Harn, approx 47 cm back from Ignition Switch Connector

**S315**

I/P Harn, approx 74 cm from main branch, in C330 breakout

**S317**

I/P Harn, main branch approx 14 cm from C405 breakout

**S320**

Seat Jumper Harn (AQ9), main branch approx 7 cm from C310 breakout, toward C305

**S330**

Driver Seat Harn, main branch approx 14 cm from Pump breakout

**S335**

Driver Seat Harness, approx 11 cm from main branch, in Power Seat Control Module breakout

**S340**

Driver Seat Harn, approx 4 cm from main branch, in Power Seat Control Module breakout

**S345**

Driver Seat Harn, main branch approx 6 cm from Power Seat Control Module breakout, toward C300

**S350**

Driver Seat Harn, main branch approx 13 cm from Power Seat Control Module breakout, toward C300

**S355**

Driver Seat Harn, approx 10 cm from main branch, in Inflation Valve Solenoid breakout

**S360**

Passenger Seat Harn, main branch approx 18 cm from Seat Inflation Switch Connector

**S400**

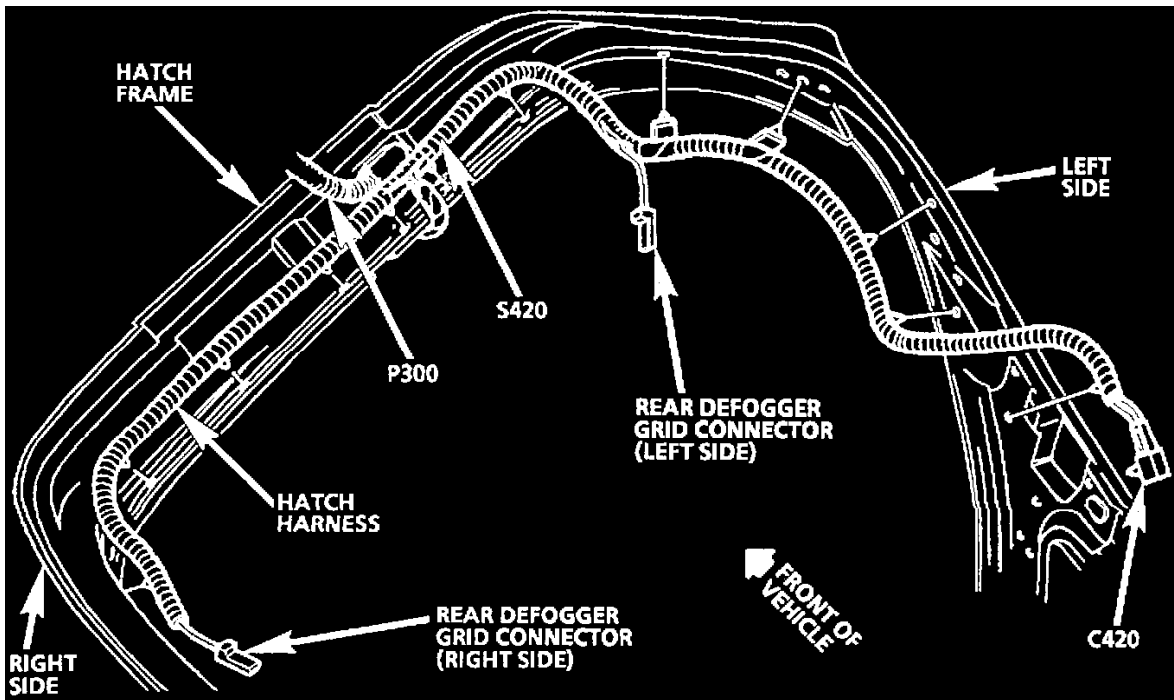
Rear Body Harn, main branch approx 20 cm from P400 branch breakout

**S405**

Rear Body Harn, between P400 and C400 in breakout, approx 15 cm from P400

**S410**

Rear Body Harn, main branch approx 27 cm from P400 branch breakout, toward RH Tail Lamps



Bottom Side Of Hatch, Shown Upside Down (Coupe)

**S430**  
Rear Fascia Harn, main branch approx 11 cm from License Lamp breakout

**S440**  
Rear Fascia Harn, main branch approx 5 cm from License Lamp breakout

**S450**  
HMSL Jumper Harn, approx 24 cm from bulbs

**S460**  
HMSL Jumper Harn, approx 30 cm from bulbs

**S470**  
I/P Harn, approx 24 cm from Hatch Release Actuator

**S501**  
Cross Car Harn, approx 4 cm from LH Outside Remote Control Rearview Mirror Select Switch breakout

**S504**  
Cross Car Harn, approx 11 cm from LH Power Mirror Remote Control Switch breakout

**S600-S699**  
Cross Car Harn, approx 7 cm from RH Outside Remote Control Rearview Mirror Select Switch breakout

**Text Description of Splice Locations**

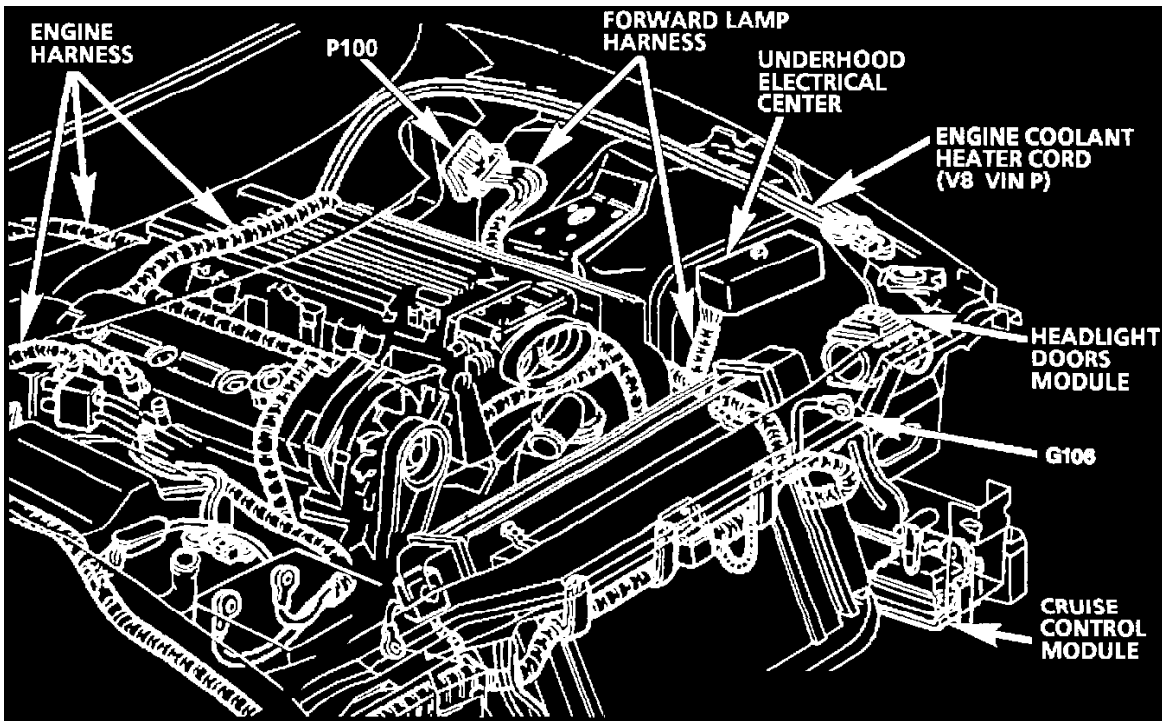
S101 (V6 VIN K) .....	Engine Harn, main branch approx 11 cm from Transmission breakout
S101 (V8 VIN P) .....	Engine Harn, approx 4 cm from Injector 6 breakout
S102 .....	Engine Harn approx 13 cm from Injector 3 breakout
S103 .....	Engine Harn approx 10 cm from Transmission breakout
S104 (V6 VIN K).....	Engine Harn, main branch approx 14 cm from Transmission breakout
S104 (V8 VIN P).....	Engine Harn, approx 22 cm from Transmission breakout
S105 (V8 VIN P).....	Engine Harn, approx 11 cm from main branch and PCM breakout
S106 .....	Engine Harn Approx 4 cm from main branch, in PCM breakout
S107 (V8 VIN P).....	Engine Harn, approx 6 cm from Injector 3 breakout
S108 (V6 VIN K).....	Engine Harn, main branch approx 8 cm from Transmission breakout
S108 (V8 VIN P).....	Engine Harn, approx 5 cm from Injector 5 breakout
S110 (V6 VIN K).....	Engine Harn, approx 15 cm from Powertrain Control Module (PCM) breakout
S110 (V8 VIN P).....	Engine Harn, approx 4 cm from main branch and Powertrain Control Module (PCM) breakout
S111 .....	Forward Lamp Harn, approx 3 cm from Wiper Motor Assembly breakout
S112 .....	Forward Lamp Harn, approx 10 cm from G105 breakout
S113 .....	Forward Lamp Harn, approx 13 cm from Underhood Electrical Center breakout
S114 (V6 VIN K).....	Engine Harn, approx 50 cm back from A/C Compressor Clutch Connector

S114 (V8 VIN P).....	Engine Harn, approx 33 cm back from A/C Compressor Clutch Connector
S115 (V6 VIN K).....	Engine Harn, approx 47 cm back from A/C Compressor Clutch Connector
S115 (V8 VIN P).....	Engine Harn, approx 17 cm from Generator breakout
S115 (V8 VIN P).....	Engine Harn, approx 28 cm back from A/C Compressor Clutch Connector
S117 .....	Engine Harn, approx 16 cm from Transmission breakout
S117 (V8 VIN P).....	Engine Harn, approx 28 cm back from A/C Compressor Clutch Connector
S119 .....	Engine Harn, main branch approx 4 cm from Transmission breakout
S119 (V6 VIN K).....	Engine Harn, main branch approx 4 cm from Transmission breakout
S122 .....	Engine Harn, approx 14 cm from transmission breakout
S132 .....	Engine Harn, approx 19 cm from main branch, in PCM breakout
S132 (V6 VIN K).....	Engine Harn, approx 21 cm from main branch and PCM breakout
S144 .....	Engine Harn, approx 3 cm from Injector 3 breakout
S145 .....	Engine Harn, approx 7 cm from Injector 3 breakout
S150 .....	Forward Lamp Harn, approx 22 cm forward of Underhood Electrical Center breakout, on lighting branch
S151 .....	Forward Lamp Harn, main branch approx 3 cm from Hydraulic Modulator breakout
S152 .....	Forward Lamp Harn, approx 7 cm from G106 breakout
S158 .....	Forward Lamp Harn, approx 7 cm from breakout on horn branch
S160 .....	Forward Lamp Harn, approx 4 cm from Coolant Fan breakout
S165 .....	Forward Lamp Harn, main branch approx 7 cm from Underhood Electrical Center breakout
S173 .....	Forward Lamp Harn, approx 12 cm from main branch, in Underhood Electrical Center breakout
S175 .....	Forward Lamp Harn, approx 12 cm from main branch, in Underhood Electrical Center breakout
S180 .....	Forward Lamp Harn, approx 16 cm from main branch, in Underhood Electrical Center breakout
S189 .....	Forward Lamp Harn, approx 5 cm from main branch, in Second Air Injection Pump Motor breakout
S200 .....	Forward Lamp Harn, approx 21 cm back from Ignition Start Switch Connector
S201 .....	I/P Harn, main branch approx 5 cm from Horn Relay breakout
S206 .....	I/P Harn, main branch approx 11 cm from Instrument Cluster breakout
S207 .....	I/P Harn, approx 4 cm before Data Link Connector (DLC) breakout
S208 .....	Cross Car Harn, main branch approx 5 cm from Power Window Control Module breakout
S211 .....	I/P Harn, main branch approx 11 cm from Data Link CONN (DLC) breakout
S212 .....	I/P Harn, main branch approx 4 cm from fuse block breakout
S214 .....	I/P Harn, main branch approx 10 cm from Instrument Cluster breakout
S215 .....	I/P Harn, main branch approx 11 cm from Theft Deterrent Security LED breakout
S216 .....	I/P Harn, main branch approx 5 cm from Rear Window Defogger Switch breakout
S217 .....	I/P Harn, approx 23 cm before DLC breakout
S217 .....	I/P Harn, main branch approx 15 cm from Body Control Module (BCM) breakout
S218 .....	I/P Harn, approx 17 cm back from Radio Connectors breakout
S219 .....	I/P Harn, main branch approx 4 cm from Data Link Connector (DLC) breakout
S220 .....	Cross Car Harn, main branch approx 22 cm from Rearview Mirror breakout
S221 .....	I/P Harn, main branch approx 2 cm from Body Control Module (BCM) breakout
S222 .....	I/P Harn, approx 83 cm from main branch, in Inflatable Restraint SDM breakout
S223 .....	I/P Harn, main branch approx 4 cm from Inflatable Restraint SDM breakout
S224 .....	I/P Harn, main branch approx 31 cm from Instrument Cluster breakout
S225 .....	I/P Harn, approx 10 cm from main branch, in Inflatable Restraint Diagnostic Energy Reserve (with sensor) Module (SDM) breakout
S226 .....	I/P Harn, approx 10 cm from main branch in Headlamp Switch breakout
S227 .....	I/P Harn, approx 17 cm from main branch, in Headlamp Switch breakout
S228 .....	I/P Harn, main branch approx 24 cm from Headlamp Switch breakout
S233 .....	I/P Harn, main branch approx 1 cm from Convenience Center breakout (PONT), or 7 cm from Instrument Cluster breakout (CHEVY)
S234 (Automatic).....	I/P Harn, main branch approx 16 cm from Theft Deterrent Relay breakout
S237 .....	I/P Harn, main branch approx 6 cm from Body Control Module (BCM) breakout
S239 .....	I/P Harn, main branch approx 1 cm from Body Control Module (BCM) breakout
S240 .....	I/P Harn, main branch approx 17 cm from Antenna Cable breakout
S241 .....	I/P Harn, main branch approx 4 cm from Antenna Cable breakout
S242 .....	I/P Harn, approx 18 cm from Instrument Cluster breakout
S243 .....	I/P Harn, approx 11 cm from Radio Connectors breakout
S243 .....	I/P Harn, approx 9 cm from Fuel Pump Relay breakout
S247 .....	I/P Harn, approx 9 cm from Fuel Pump Relay breakout
S252 .....	I/P Harn, main branch approx 4 cm from Instrument Cluster breakout
S253 (Conv) .....	I/P Harn, main branch approx 7 cm from Instrument Cluster breakout
S258 .....	I/P Harn, approx 4 cm from antenna cable breakout
S260 .....	Cross Car Harn, main branch approx 9 cm from Rearview Mirror breakout
S263 .....	Cross Car Harn, main branch approx 13 cm from Rearview Mirror breakout
S264 .....	Cross Car Harn, main branch approx 13 cm from Body Control Module (BCM) breakout
S267 .....	Cross Car Harn, main branch approx 24 cm from Rearview Mirror breakout
S268 .....	Cross Car Harn, main branch approx 7 cm from Rearview Mirror breakout
S270 .....	Forward Lamp Harn, approx 14 cm from main branch, in Electronic Brake Control Module (EBCM) breakout
S271 .....	Forward Lamp Harn, main branch approx 7 cm from Electronic Brake Control Module (EBCM) breakout

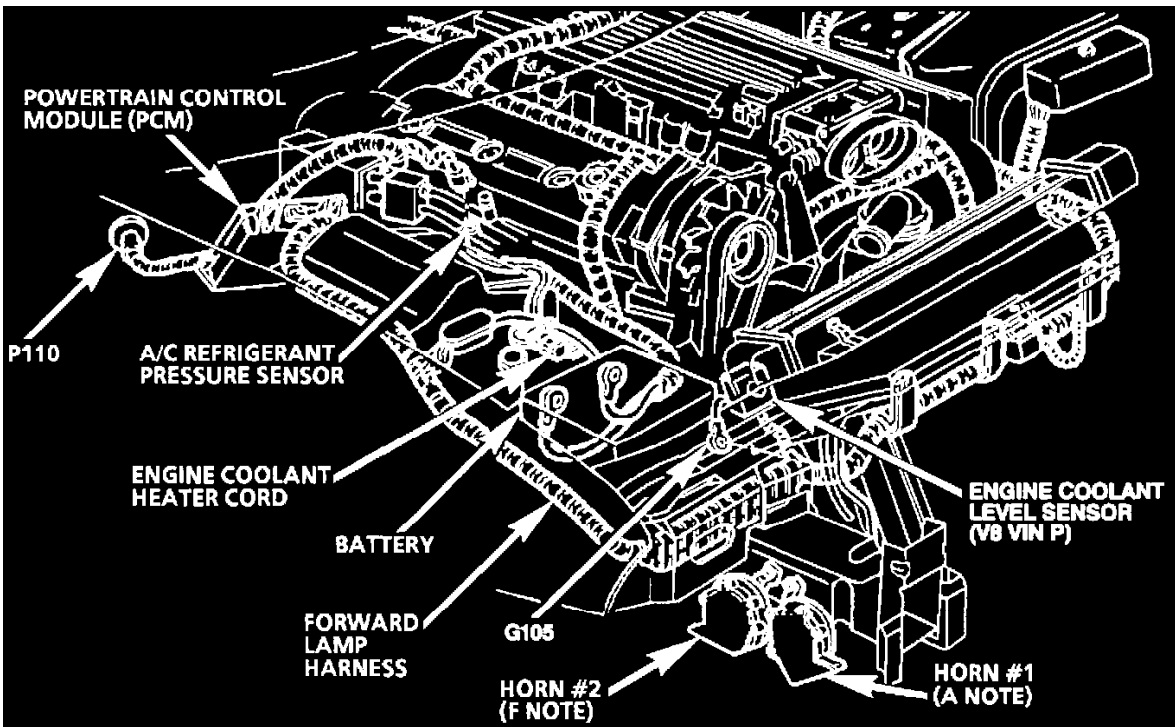
S272	Forward Lamp Harn, approx 8 cm from main branch, in Electronic Brake Control Module breakout
S273	Forward Lamp Harn, main branch approx 20 cm from Electronic Brake Control Module (EBCM) breakout
S275	Forward Lamp Harn, approx 35 cm back from Ignition Start Switch Connector
S276	Forward Lamp Harn, approx 30 cm back from Ignition Start Switch Connector
S278	Forward Lamp Harn, approx 47 cm back from Ignition Switch Connector
S315 (Coupe)	I/P Harn, approx 74 cm from main branch, in C330 breakout
S317 (Conv)	I/P Harn, main branch approx 14 cm from C405 breakout
S320	Seat Jumper Harn (AQ9), main branch approx 7 cm from C310 breakout, toward C305
S330	Driver Seat Harn, main branch approx 14 cm from Pump breakout
S335	Driver Seat Harness, approx 11 cm from main branch, in Power Seat Control Module breakout
S340	Driver Seat Harn, approx 4 cm from main branch, in Power Seat Control Module breakout
S345	Driver Seat Harn, main branch approx 6 cm from Power Seat Control Module breakout, toward C300
S350	Driver Seat Harn, main branch approx 13 cm from Power Seat Control Module breakout, toward C300
S355	Driver Seat Harn, approx 10 cm from main branch, in Inflation Valve Solenoid breakout
S360	Passenger Seat Harn, main branch approx 18 cm from Seat Inflation Switch Connector
S400	Rear Body Harn, main branch approx 20 cm from P400 branch breakout
S405	Rear Body Harn, between P400 and C400 in breakout, approx 15 cm from P400
S410	Rear Body Harn, main branch approx 27 cm from P400 branch breakout, toward RH Tail Lamps
S420	Hatch Harn, main branch approx 7 cm from P300
S420 (Coupe)	Hatch Harn, main branch approx 7 cm from P300
S430	Rear Fascia Harn, main branch approx 11 cm from License Lamp breakout
S440	Rear Fascia Harn, main branch approx 5 cm from License Lamp breakout
S450	HMSL Jumper Harn, approx 24 cm from bulbs
S460	HMSL Jumper Harn, approx 30 cm from bulbs
S470 (Conv)	I/P Harn, approx 24 cm from Hatch Release Actuator
S501	Cross Car Harn, approx 4 cm from LH Outside Remote Control Rearview Mirror Select Switch breakout
S504	Cross Car Harn, approx 11 cm from LH Power Mirror Remote Control Switch breakout
S610	Cross Car Harn, approx 7 cm from RH Outside Remote Control Rearview Mirror Select Switch breakout

<b>CALLOUT NUMBERS (For Splices, Connectors, and Pass-Thru Grommet)</b>	<b>ZONE DESCRIPTION</b>
100-199	All forward of and including dash panel
200-299	Within Instrument Panel area
300-399	Passenger Compartment, forward of hatch
400-499	Hatch area, to rear of vehicle
500-599	To and within left door
600-699	To and within right door

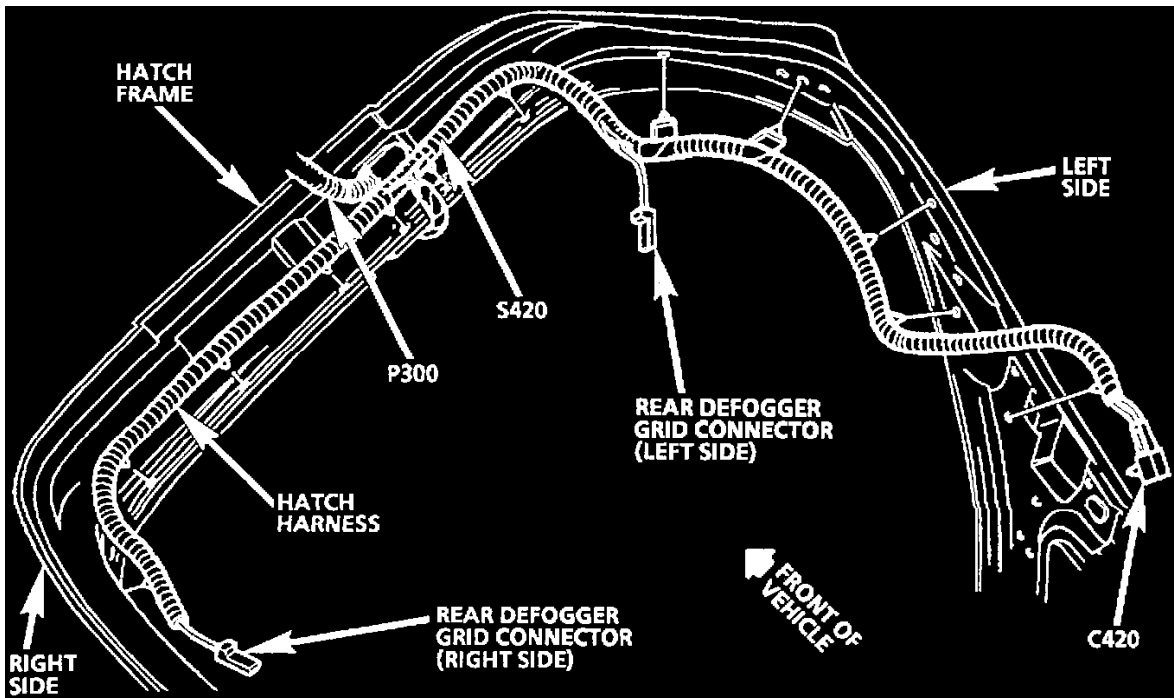
**Vehicle Zoning**



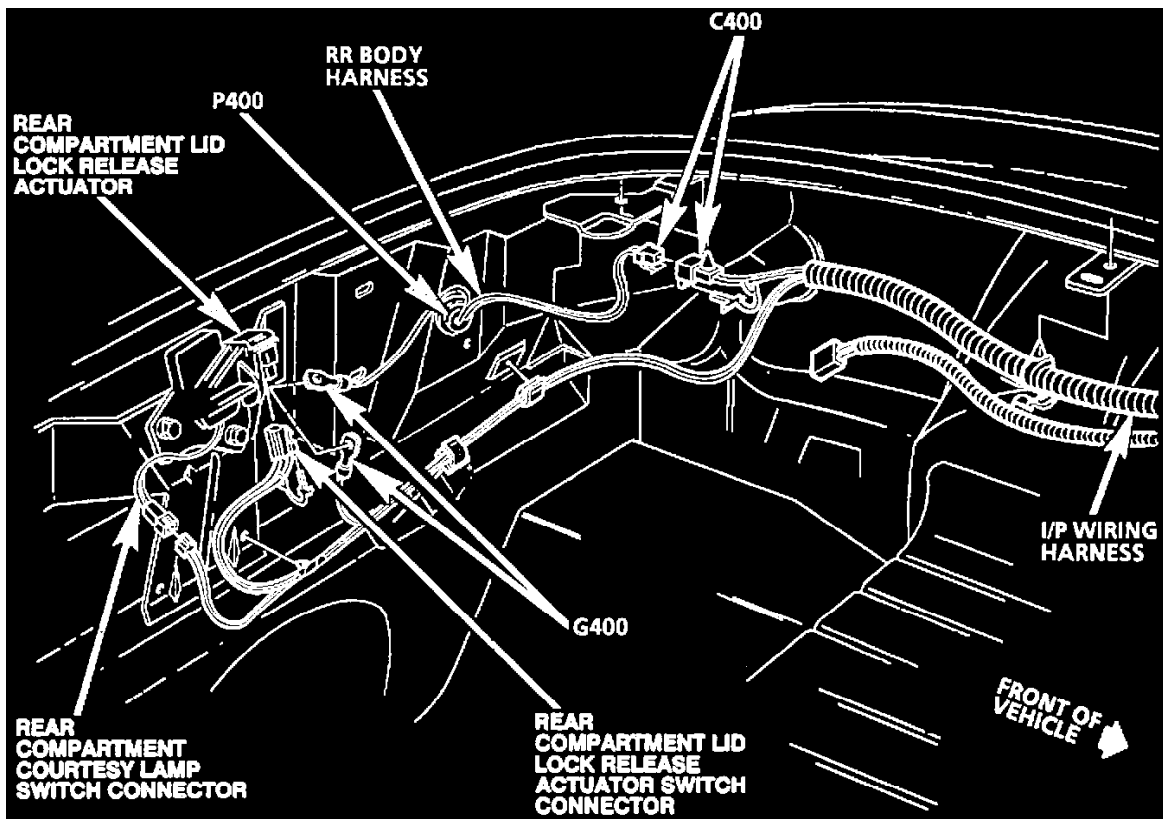
Engine Compartment



Engine Compartment

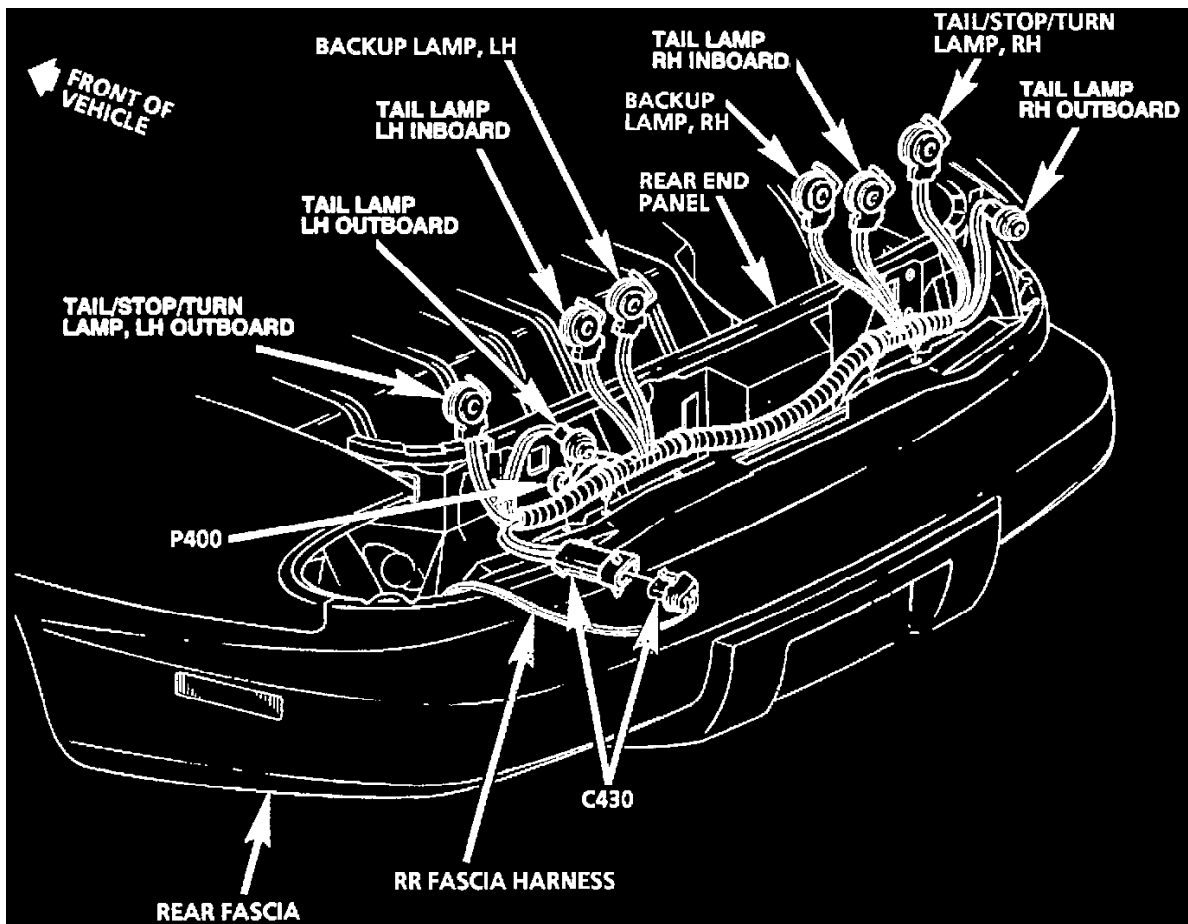


Bottom Side Of Hatch, Shown Upside Down (Coupe)

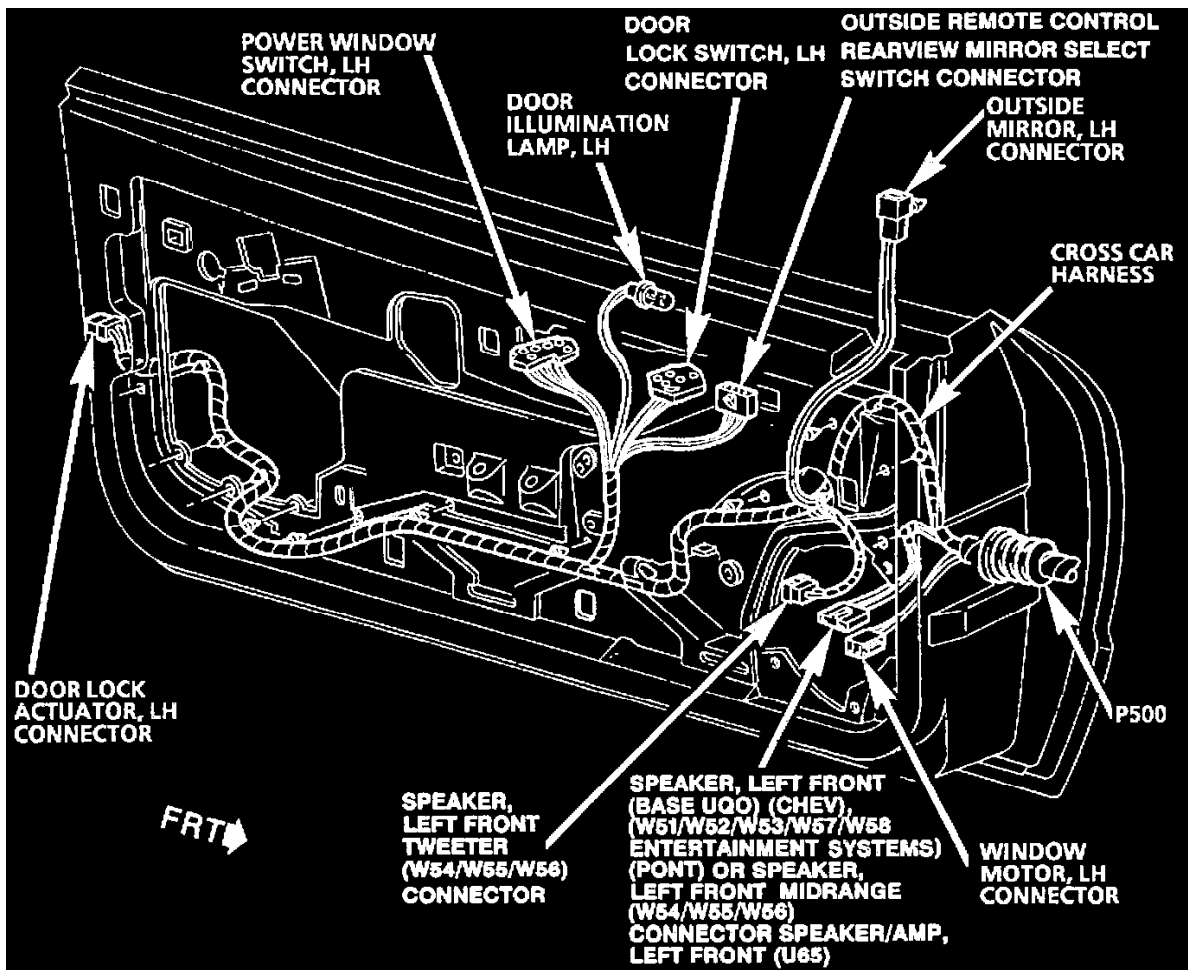


LH Rear Cargo Compartment

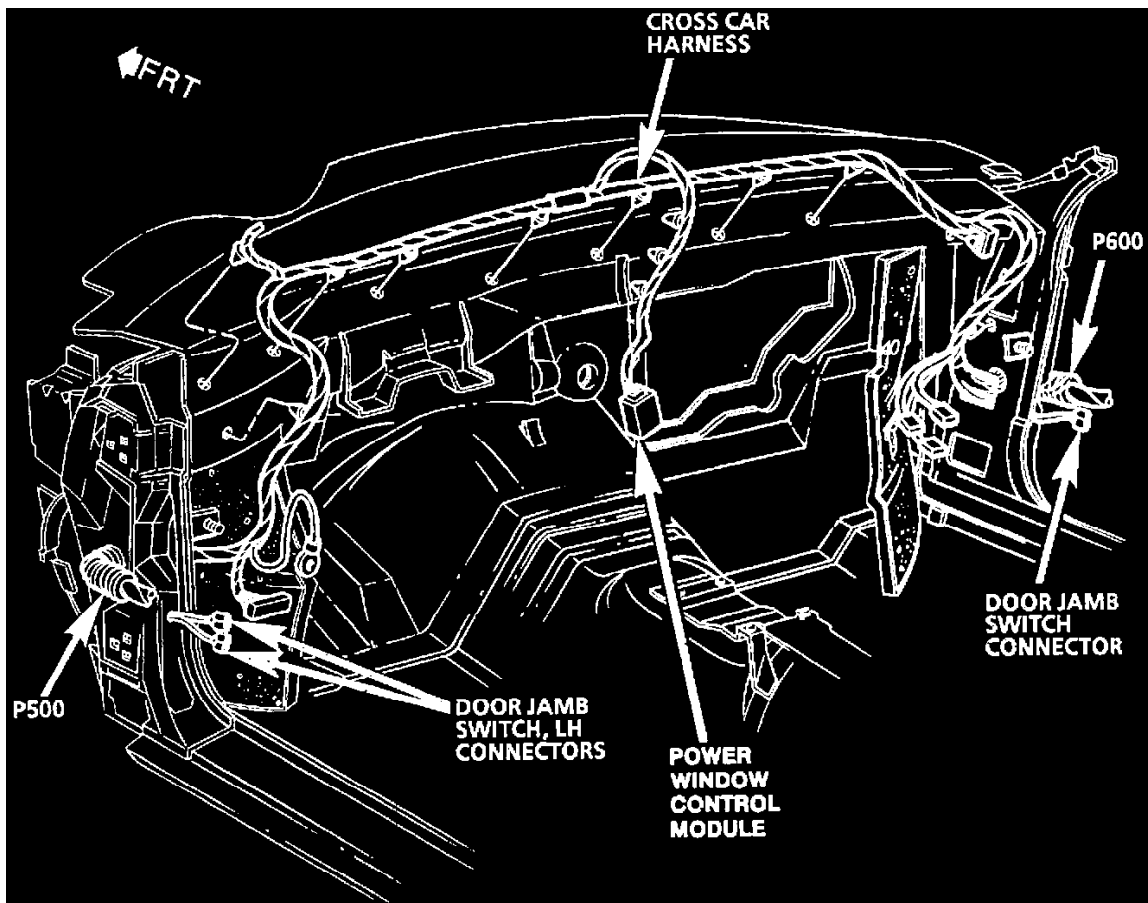




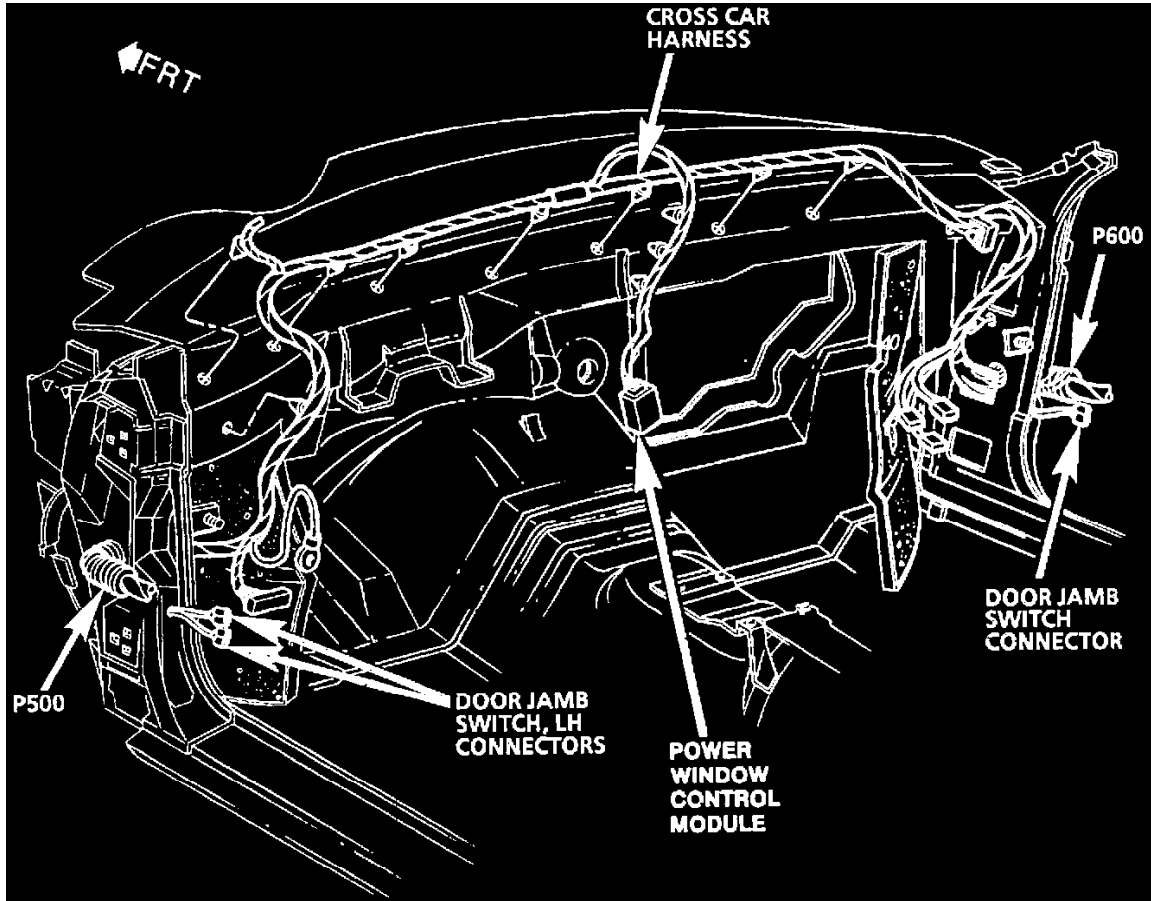
Rear Of Vehicle (Chevy, Pont Similar)



Behind LH Door Trim (RH Door Similar)



Dash Panel With Cross Car Harness

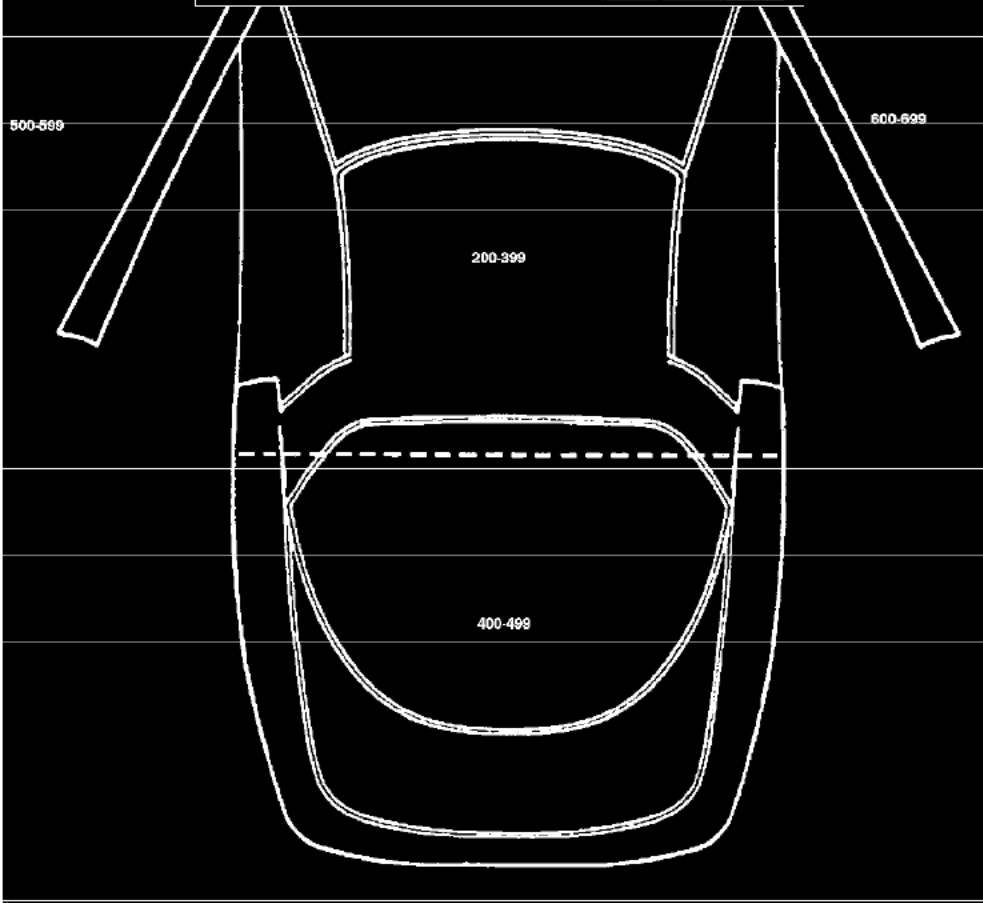


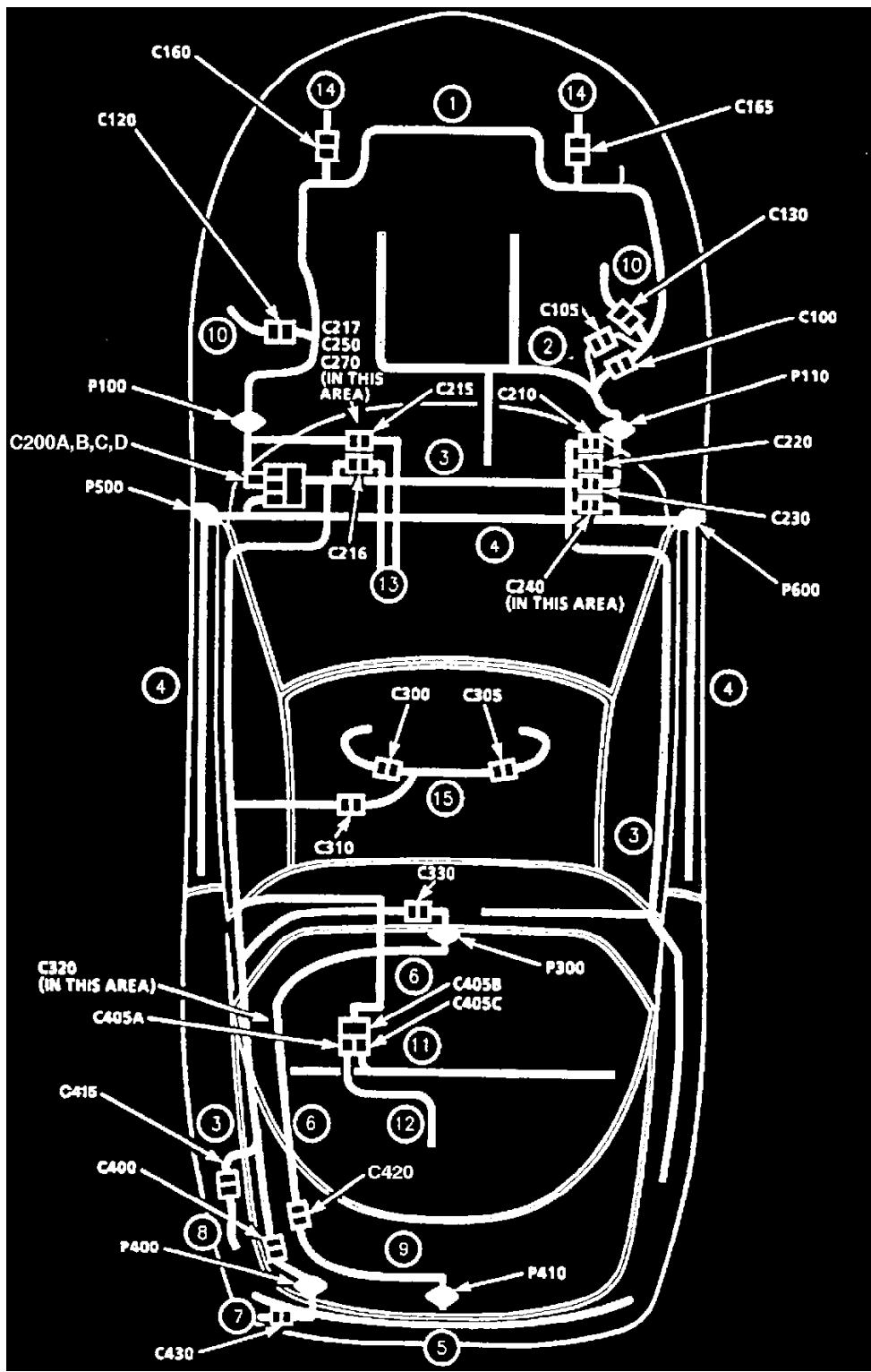
Dash Panel With Cross Car Harness

**Text Description**

P100 .....	Left side in dash panel, Engine to Passenger Compartment
P110 .....	Right inside dash panel, Engine to Passenger Compartment
P300 .....	Hatch Harn, in rear center of roof near Dome Lamp
P300 .....	In rear center of roof, near Dome Lamp
P400 .....	Left rear in end gate panel
P410 .....	In left side spoiler
P500 .....	Between LH door and "A" pillar
P500 .....	Cross Car, between LH door and "A" pillar
P600 .....	Between RH door and "A" pillar
P600 .....	Cross Car, between RH door and "A" pillar

CALLOUT NUMBERS (For Splices, Connectors, and Pass-Thru Grommet)	ZONE DESCRIPTION
100-199	All forward of and including dash panel
200-299	Within Instrument Panel area
300-399	Passenger Compartment, forward of hatch
400-499	Hatch area, to rear of vehicle
500-599	To and within left door
600-699	To and within right door





Harness Routing Views

HARNES LEGEND			
1	Forward Lamp Harness	9	HMSL Jumper Harness
2	Engine Harness	10	Front Wheel Speed Sensor Jumper Harness
3	I/P Harness	11	Rear Wheel Speed Sensor Jumper Harness
4	Cross Car Harness	12	Fuel Tank Unit Pigtail
5	Rear Body Harness	13	Steering Column Harness
6	Hatch Harness	14	Headlamp Jumper Harness (Pontiac only)
7	RR Fascia Harness	15	Seat Jumper Harness (with AQ9) or Driver Seat Harness (with AG1)
8	Remote CD Jumper Harness		

### Harness Legend

CONNECTOR LEGEND	
C100 (10 cavities)	Engine Harn to Forward Lamp Harn, behind RH wheelhouse attached to PCM Bracket
C105 (6 cavities)	Engine Harn to Forward Lamp Harn
C120 (2 cavities)	Forward Lamp Harn to Wheel Speed Sensor Jumper Harn, mounted to LH Frame Rail
C130 (2 cavities)	Forward Lamp Harn to Wheel Speed Sensor Jumper Harn, mounted to RH Frame Rail
C140 (4 cavities) (V8 VIN P)	Engine Harn to Distributor Jumper Harn, right side of Intake Plenum, attached to EVAP Solenoid Valve
C160 (3 cavities) (Pontiac)	Forward Lamp Harn to Headlamp Jumper Harn, behind LH Headlamp Door Bracket
C165 (3 cavities) (Pontiac)	Forward Lamp Harn to Headlamp Jumper Harn, behind RH Headlamp Door Bracket
C200A (17 cavities)	Forward Lamp Harn to I/P Harn, between LH kic panel and Steering Column
C200B (18 cavities)	Forward Lamp Harn to I/P Harn, between LH kic panel and Steering Column
C200C (13 cavities)	Cross Car Harn to I/P Harn, between LH kick pane and Steering Column
C200D (48 cavities)	I/P Harn side, between LH kick panel and Steerin Column
C210 (4 cavities)	I/P Harn to Engine Harn, under RH side of I/P behind RH kick panel
C215 (11 cavities)	Forward Lamp Harn to Steering Column Harn, near base of Steering Column
C216 (11 cavities)	I/P Harn to Steering Column Harn, attached to base of Steering Column
C217 (4 cavities) (Pontiac)	I/P Harn to SIR Coil Assembly Harn, near base of Steering Column
C220 (10 cavities)	I/P Harn to Engine Harn, under RH side of I/P behind <i>kick panel</i>
C230 (10 cavities)	I/P Harn to Engine Harn, under RH side of I/P behind kick panel
C240 (6 cavities)	Cross Car Harn to I/P Harn, under RH side of I/P behind kick panel
C250 (2 cavities)	Forward Lamp Harn to Clutch Jumper Harn, near Brake/Clutch Pedal Bracket

### Connector Legend (Part 1 Of 2)

<b>CONNECTOR LEGEND</b>	
C270 (2 cavities)	I/P Harn to Clutch Jumper Harn, near Brake/Clutch Pedal Bracket
C300 (6 cavities) (Pontiac AQ9)	Seat Jumper Harn to Driver Seat Harn, under Driver Seat Assembly
C305 (6 cavities) (Pontiac AQ9)	Seat Jumper Harn to Passenger Seat Harn, under Passenger Seat Assembly
C310 (2 cavities) (with AG1 or AQ9)	I/P Harn to Driver Seat Harn (with AG1) or Seat Jumper Harn (with AQ9), between rear mounting bolts of driver seat
C320 (1 cavity) (Convertible)	I/P Harness to Convertible Rear Defogger Jumper, under left Interior Garnish Molding above left rear wheelhouse
C330 (3 cavities)	I/P Harn to Hatch Harn, center of roof near Dome Lamp (Coupe only)
C400 (6 cavities)	I/P Harn to Rear Body Harn, LH rear Cargo Compartment
C405A (4 cavities)	Fuel Tank Unit Pigtail to I/P Harn, part of Pass Thru Connector forward of rear axle
C405B (10 cavities)	I/P Harn side, part of Pass Thru Connector forward of rear axle
C405C (4 cavities)	Rear Wheel Speed Sensor Jumper Harn to I/P Harn, part of Pass Thru Connector forward of rear axle
C415 (8 cavities)	I/P Harness to Remote CD Jumper Harness
C420 (2 cavities)	Hatch Harn to HMSL Jumper Harn, LH side of hatch between hatch frame and plastic panel (Coupe) or I/P Harn to HMSL Jumper Harn, located on LH underside of Deck Lid (Convertible).
C430 (2 cavities)	Rear Body Harn to Rear Fascia Harn, between rear fascia and rear end panel on LH side

Connector Legend (Part 2 Of 2)