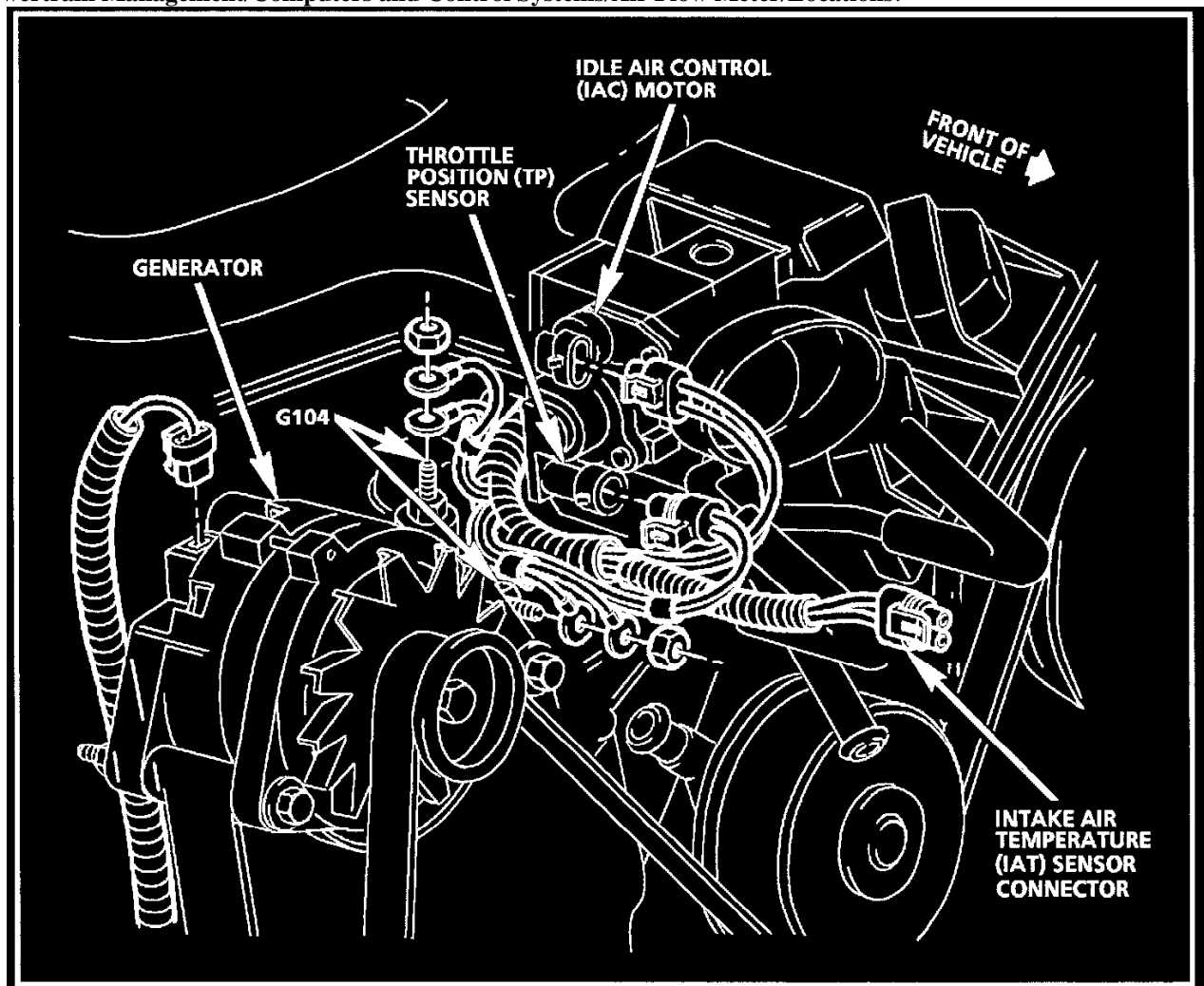


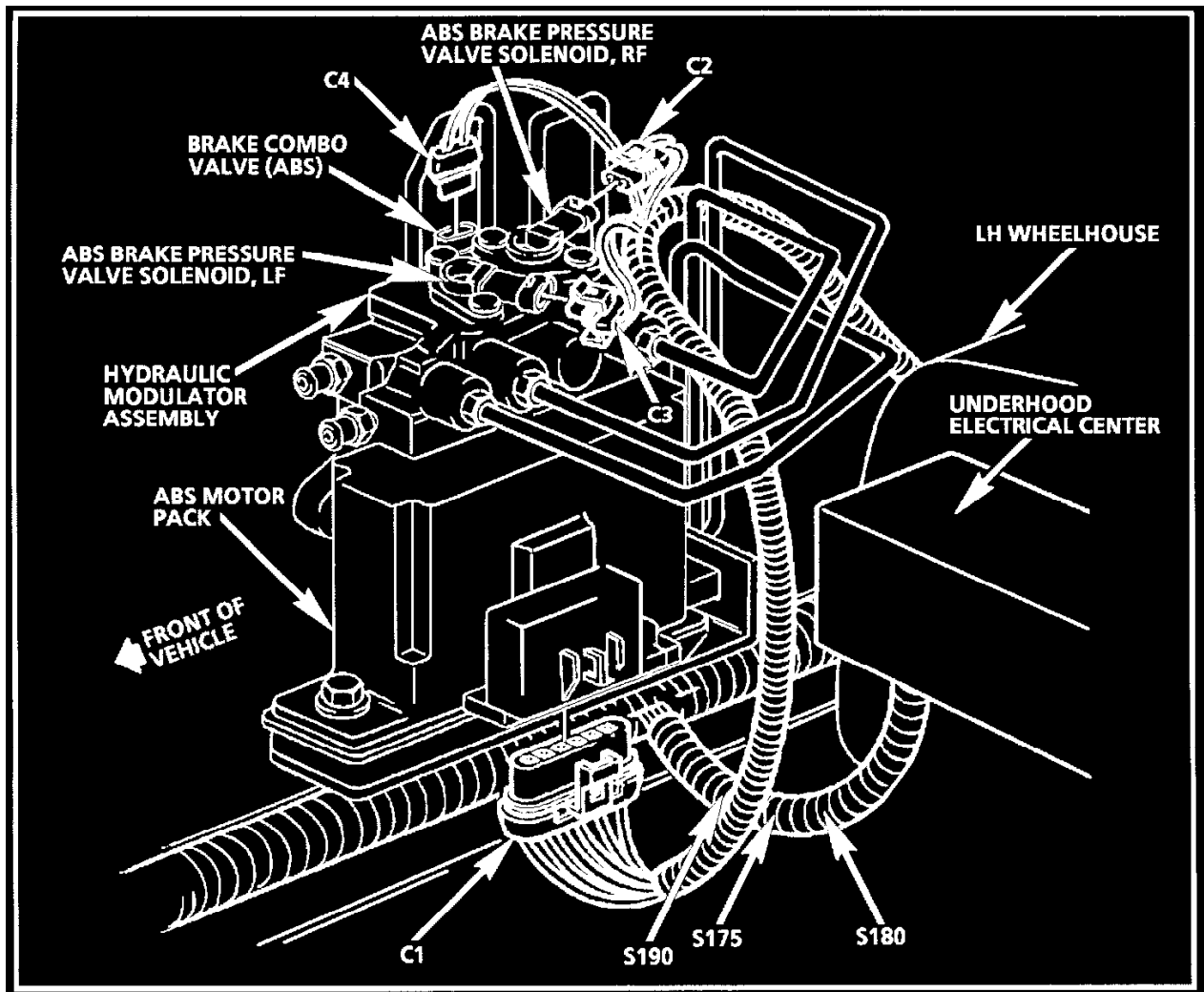
Vehicle: Locations

Additional Information

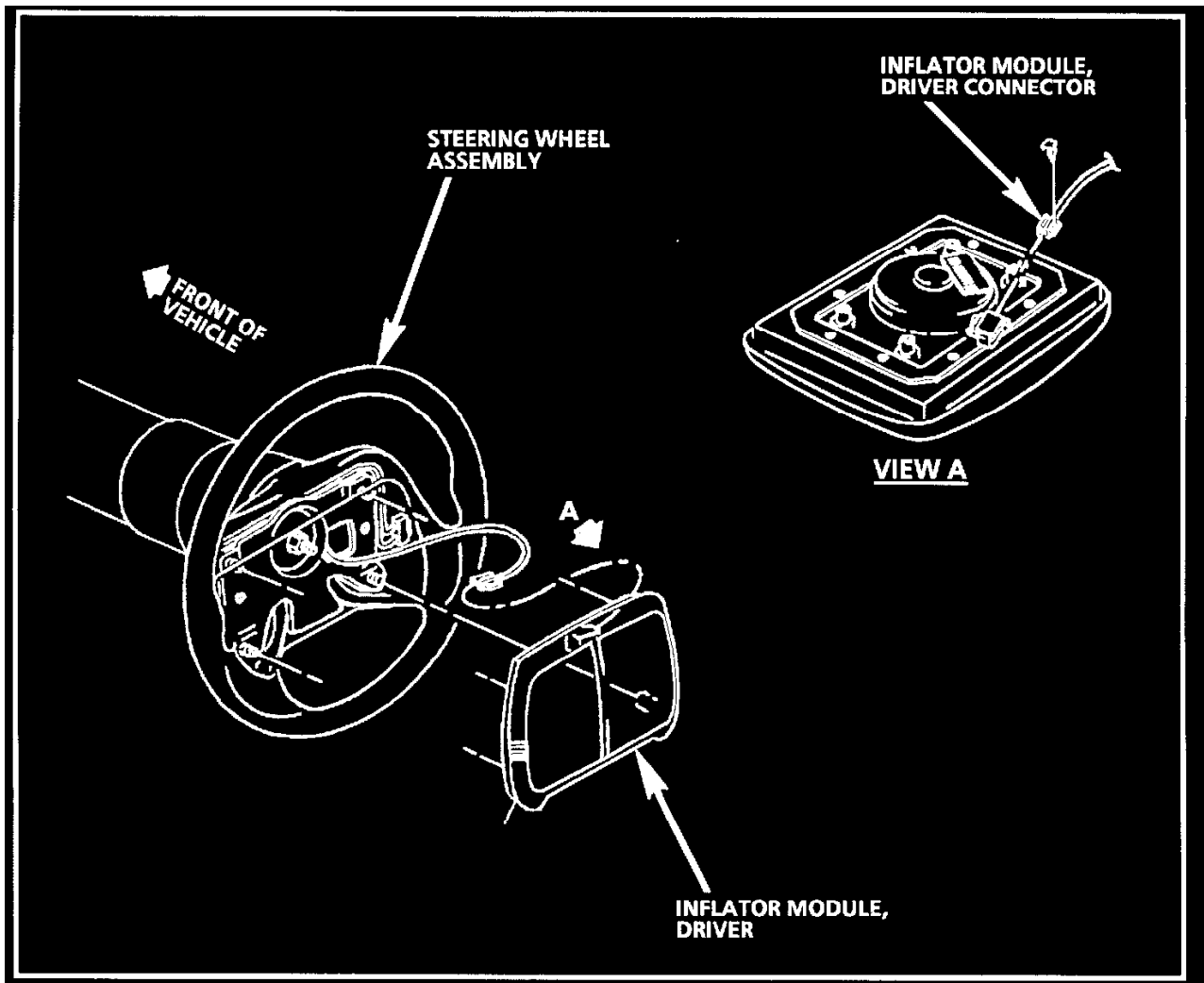
If the component you are looking for is not listed here, please refer to **System** or **Sub-Assembly Locations**. Example: If Air Flow Meter is not found here, refer to **Powertrain Management/Computers and Control Systems/Air Flow Meter/Locations**.



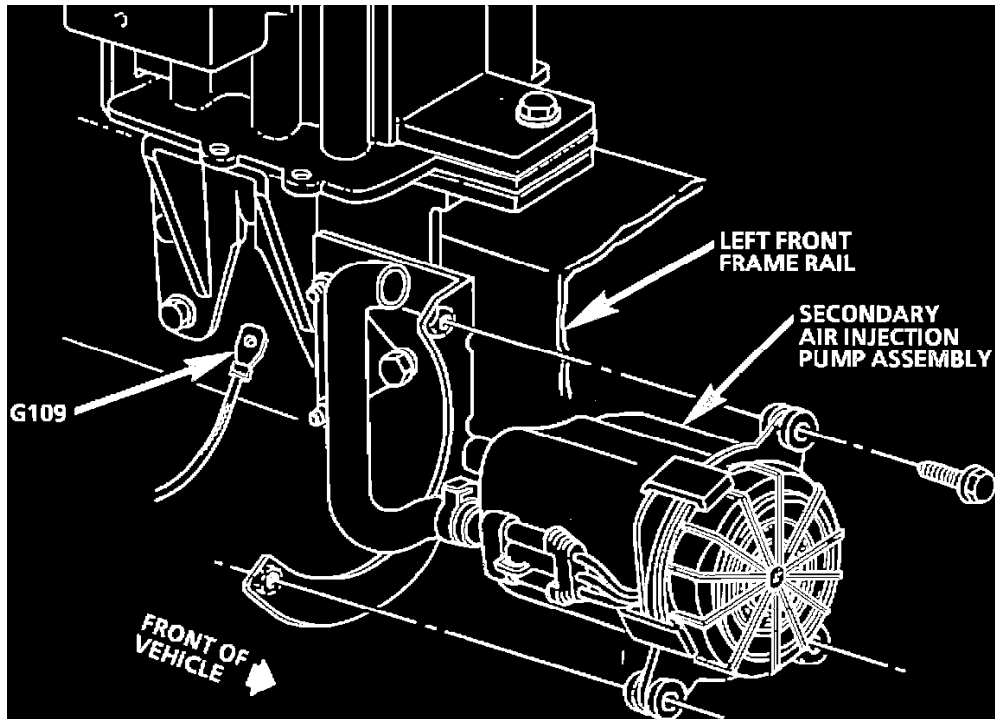
Top Front RH Side Of Engine (V6 VIN S)



Front LH Side Of Engine Compartment



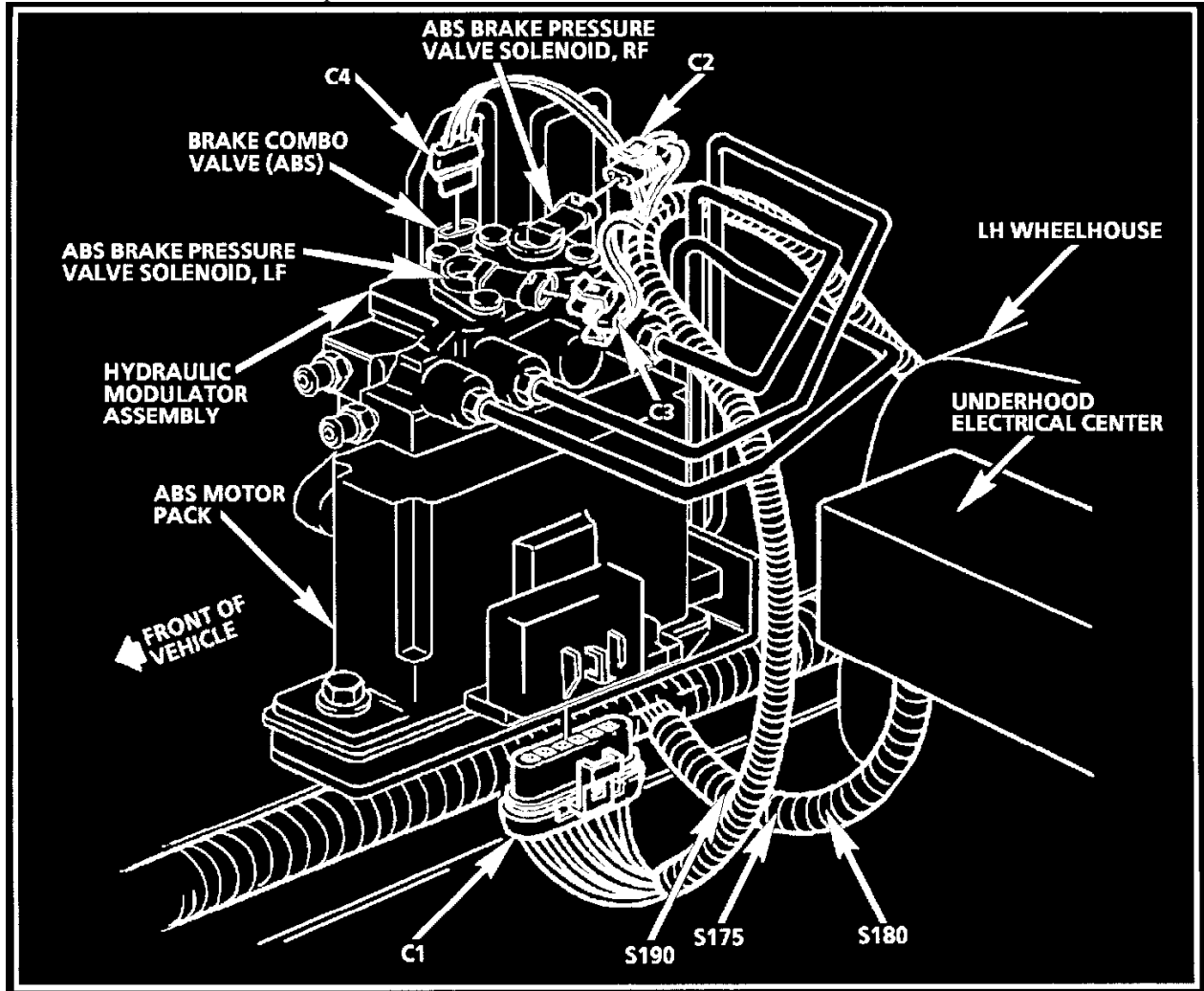
Steering Wheel



Secondary Air Pump Location

Blower Resistor

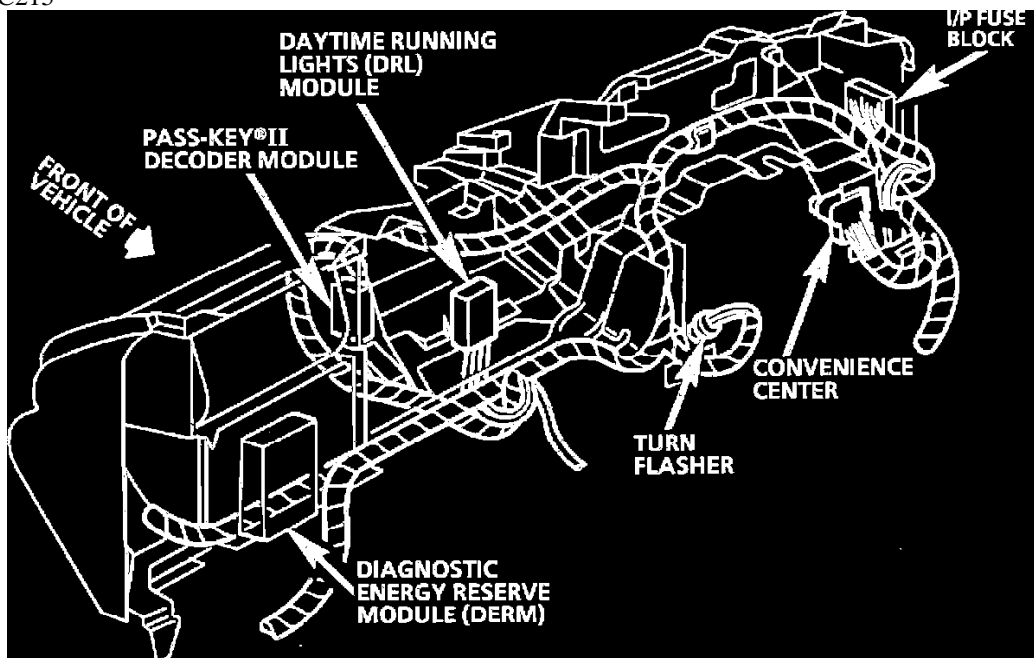
In HVAC module, forward and left of temperature control cable attachment



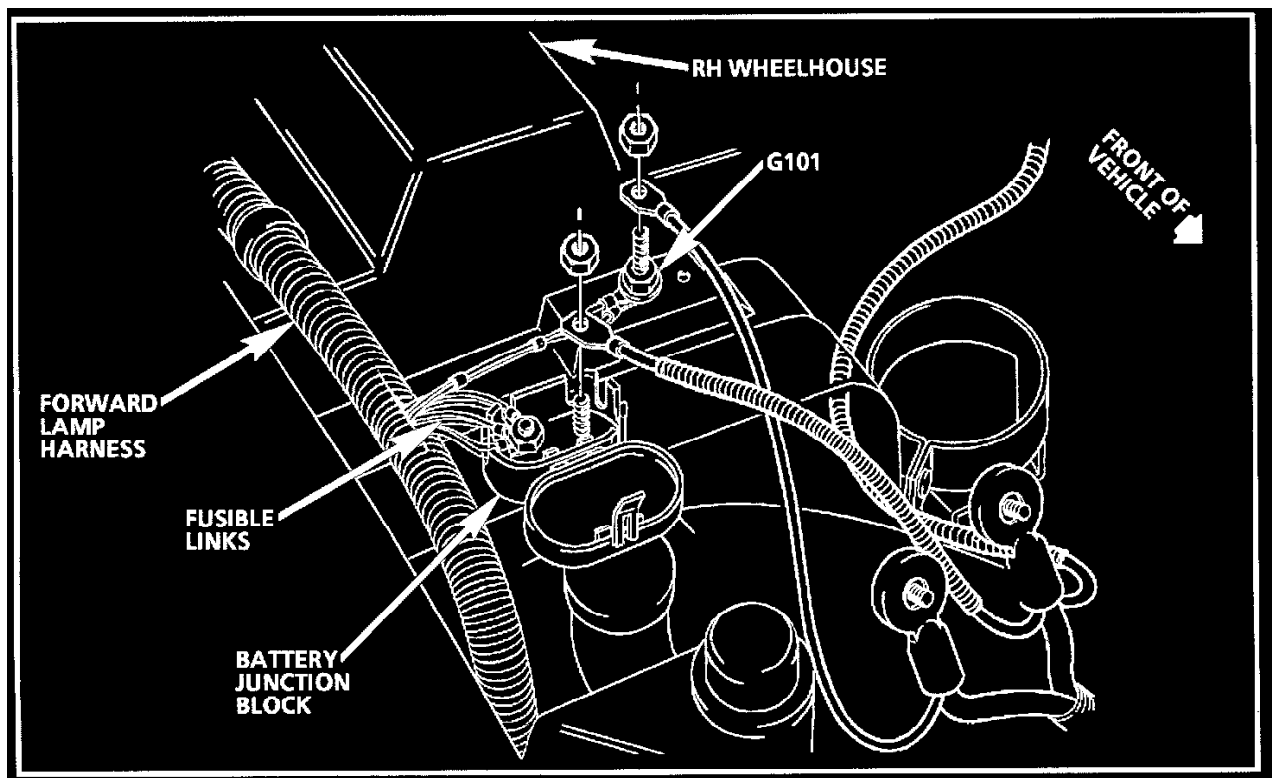
Front LH Side Of Engine Compartment

Diode, Isolation (Wipers)

Approx 20 cm from C215



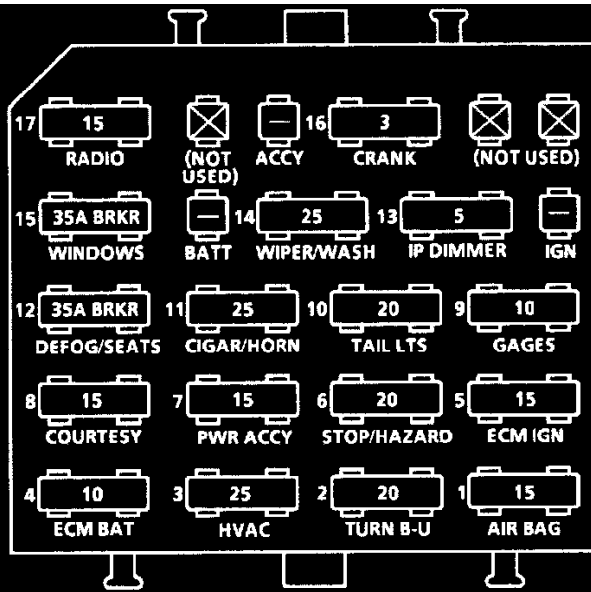
Rear View Of I/P Carrier



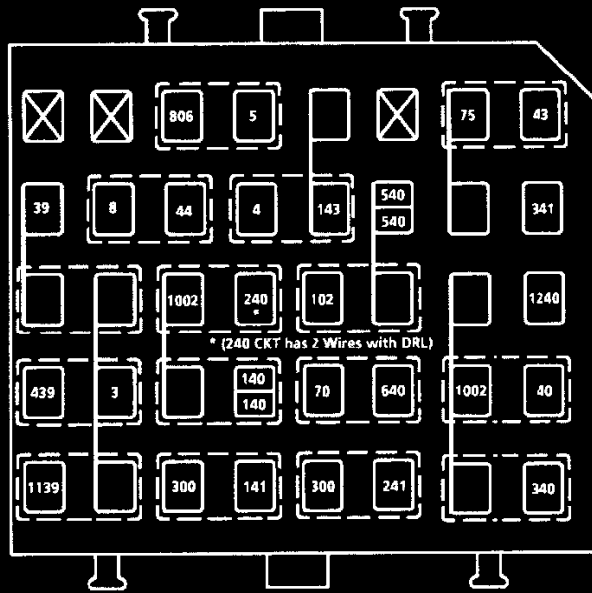
LH Wheelhouse

12052685
BASE FUSE BLOCK PACK-CON III
 BLK

AUTO FUSE COLOR/RATINGS	
COLOR	AMPS
PPL	3
TAN	5
RED	10
BLUE	15
YEL	20
WHT	25



FRONT VIEW



REAR VIEW

Fuse Block Details: I/P Fuse Block

FUSE NUMBER	FUSE NAME	RATING (AMPS)	RELATED CIRCUITRY
1	AIR BAG	15	Diagnostic Energy Reserve Module, Dual Pole Arming Sensor
2	TURN B-U	20	Backup Lights, Daytime Running Lights Module, Turn Flasher
3	HVAC	25	HVAC Selector Switch, Rear Defogger
4	ECM BAT	10	Engine Control Module, Instrument Cluster, PASS-Key®II Decoder Module
5	ECM IGN	15	Engine Control Module, PASS-Key®II Decoder Module, Fuel Pump Relay
6	STOP/HAZARD	20	Brake Light/Cruise Release Switch, Hazard Flasher
7	PWR ACCY	15	Power Door Locks, Power Mirrors, Hatch Release
8	COURTESY	15	Amplifier, Audio Alarm Module, Lamps: Console Compartment, I/P Compartment, Dome Lamp, Keyless Entry Receiver, Rearview Mirror and Radio
9	GAGES AND IGN TERMINAL	10	Audio Alarm Module, Daytime Running Lights Module, Diagnostic Energy Reserve Module, Instrument Cluster, Keyless Entry Module
10	TAIL LTS	20	Exterior Lighting
11	CIGAR/HORN AND BATT TERMINAL	25	Cigar Lighter, Horn Relay
12 (Circuit Breaker)	DEFOG/SEATS	35	Power Seats, Rear Defogger
13	I/P DIMMER	5	Interior Lights Dimming
14	WIPER/WASHER AND ACCY TERMINAL	25	Windshield Wiper/Washer
15 (Circuit Breaker)	WINDOWS	35	Power Windows
16	CRANK	3	Diagnostic Energy Reserve Module
17	RADIO	15	Radio, Steering Wheel Controls (Radio)

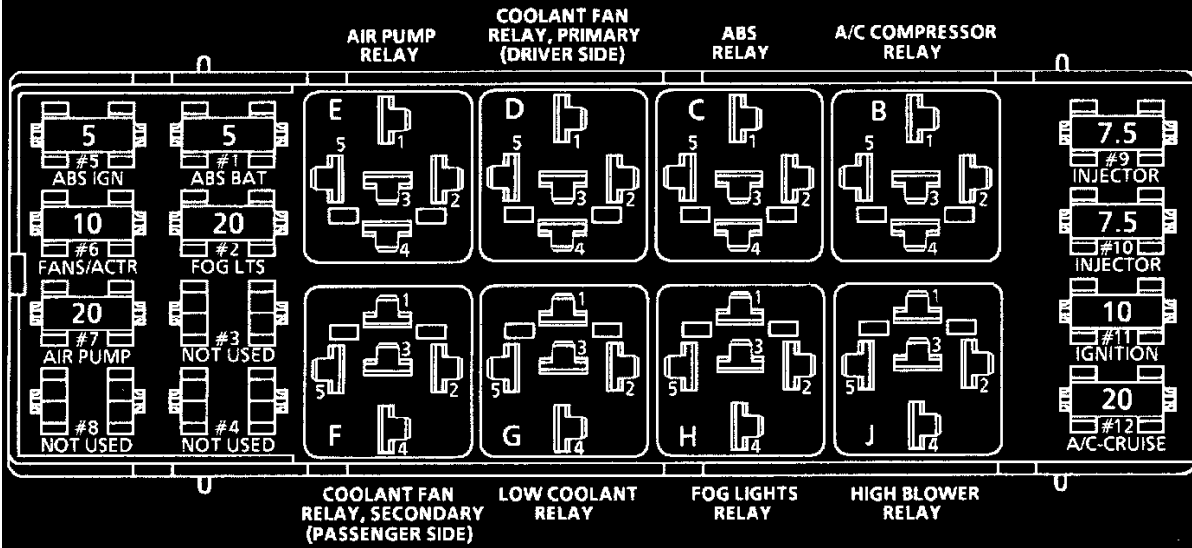
Fuse Block Details

12110396

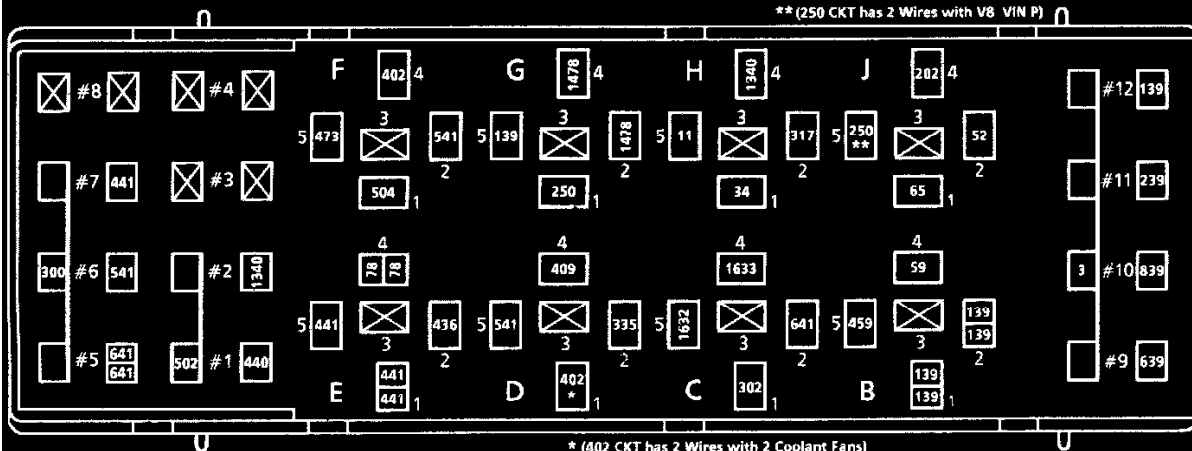
ASSEMBLY CONVENIENCE CENTER
BLK (BLOCK)

12129351

COVER CONVENIENCE CENTER
BLK (COVER)



TOP VIEW



* (402 CKT has 2 Wires with 2 Coolant Fans)

** (250 CKT has 2 Wires with V8 VIN P)

Fuse Block Details: Underhood Electrical Center

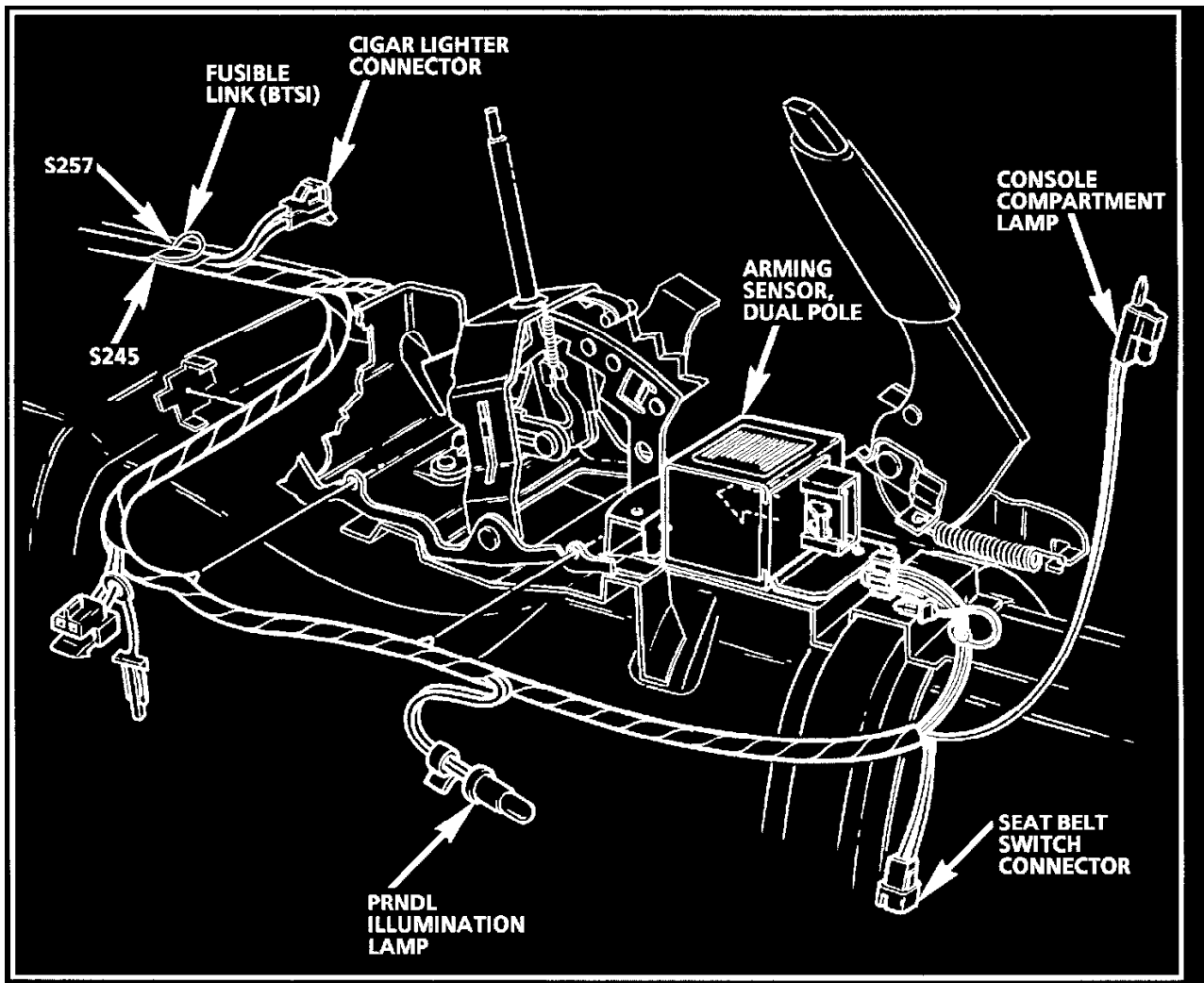
FUSE NUMBER	FUSE NAME	RATING (AMPS)	RELATED CIRCUITRY
1	ABS BAT	5	Electronic Brake Control Module
2	FOG LTS	20	Fog Lights
3	NOT USED	-	
4	NOT USED	-	
5	ABS IGN	5	Antilock Brake System
6	FANS/ACTR	10	Coolant Fan Relays, EVAP Canister Purge Solenoid, Exhaust Gas Recirculation, Reverse Lockout Solenoid
7	AIR PUMP	20	Air Injection Pump Assembly, Air Pump Relay
8	NOT USED	-	
9	INJECTOR	7.5	Fuel Injectors
10	INJECTOR	7.5	Fuel Injectors
11	IGNITION	10	V6 VIN 5: Camshaft Position Sensor, Crankshaft Position Sensor, Electronic Ignition Module V8 VIN P: Ignition Coil, Ignition Coil Driver
12	A/C-CRUISE	20	A/C Compressor Relay, Cruise Control Switches and Module, Low Coolant Relay

UNDERHOOD ELECTRICAL CENTER - RELAYS

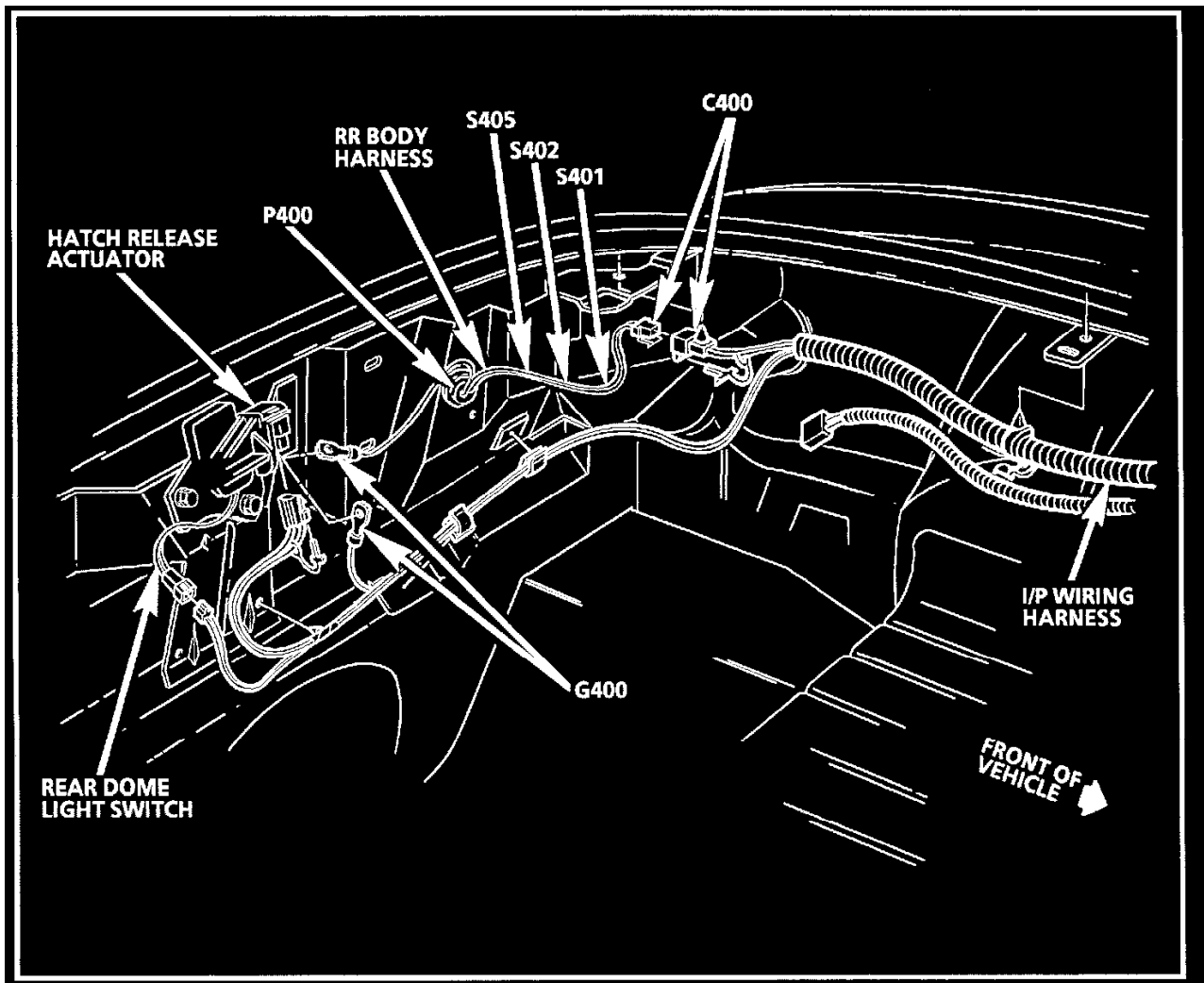
RELAY LOCATION	RELAY NAME
B	A/C COMPRESSOR
C	ABS
D	COOLANT FAN, PRIMARY
E	AIR PUMP
F	COOLANT FAN, SECONDARY
G	LOW COOLANT
H	FOG LIGHTS
J	HIGH BLOWER

AUTOFUSE FUSE COLOR/RATINGS	
COLOR	AMPS
TAN	5
BROWN	7.5
RED	10
BLUE	15
YELLOW	20

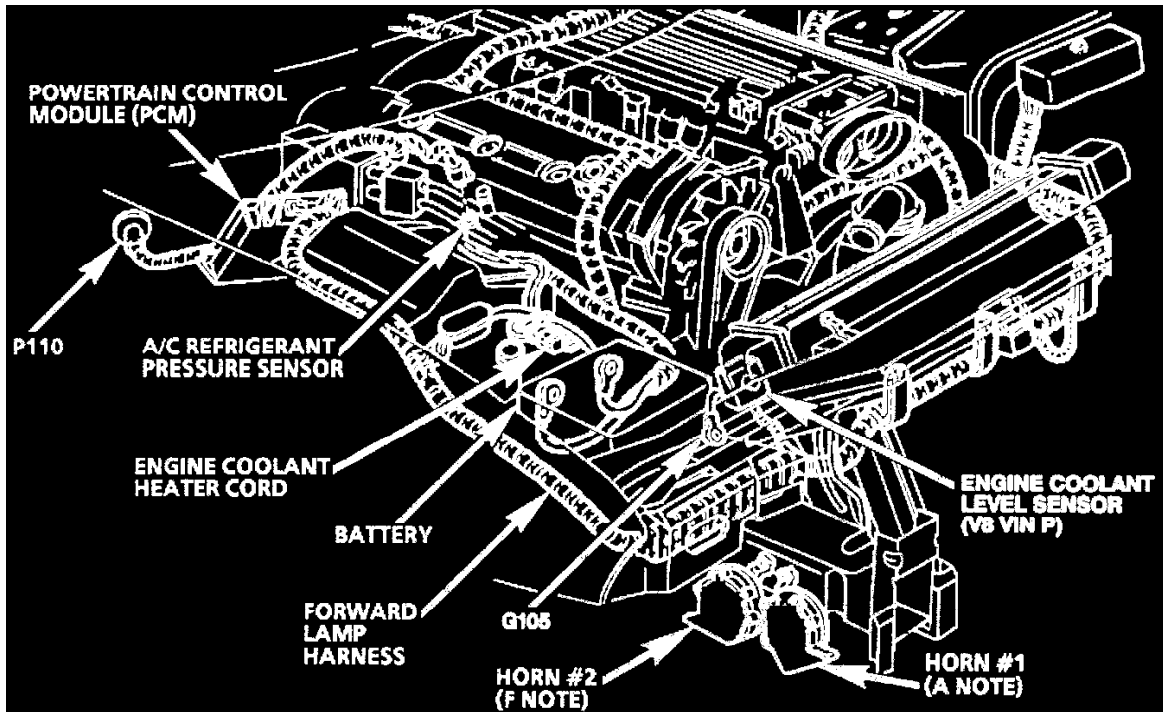
Fuse Block Details: Underhood Electrical Center Cont.



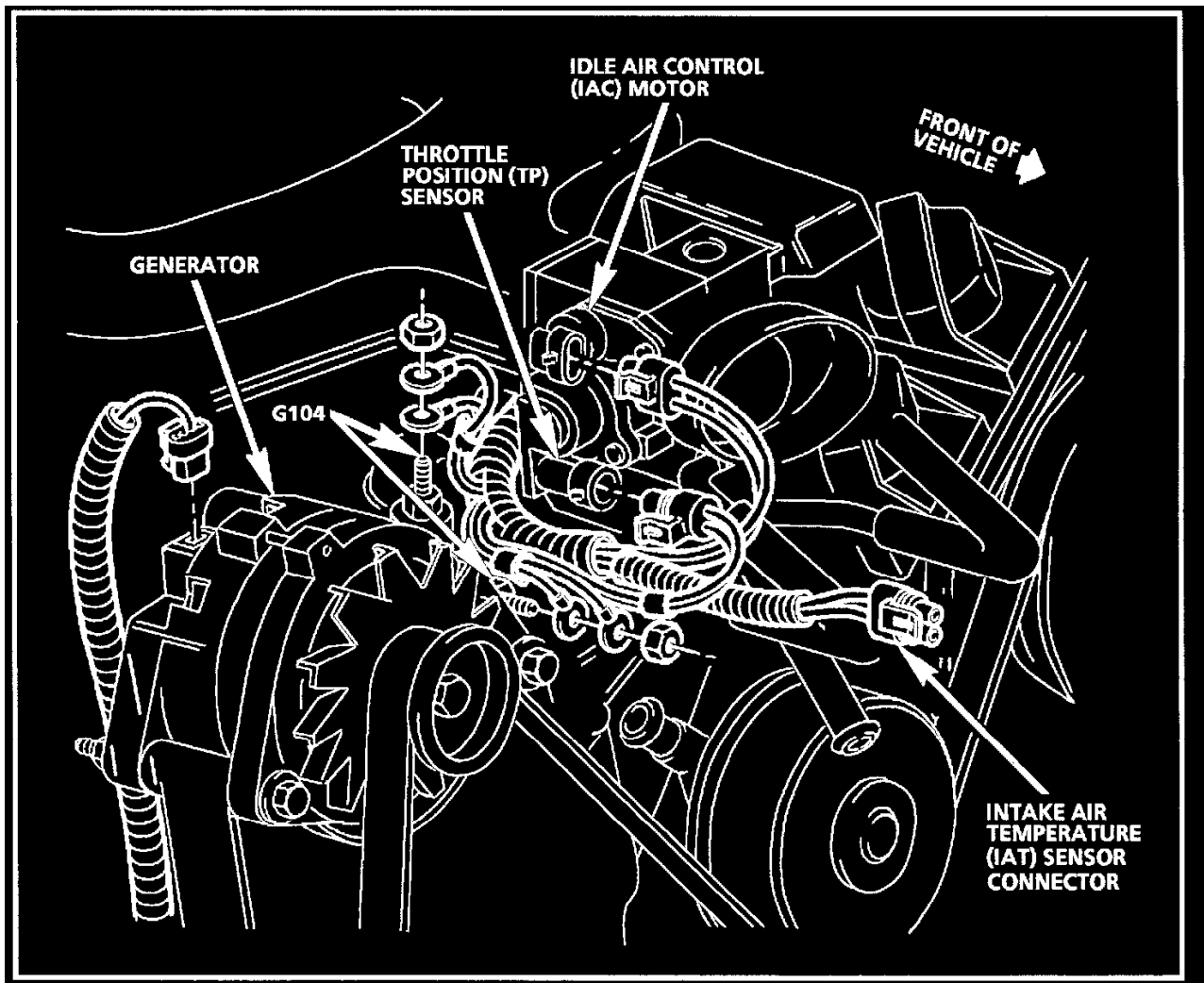
LH Side, Under Console-Automatic (MD8)



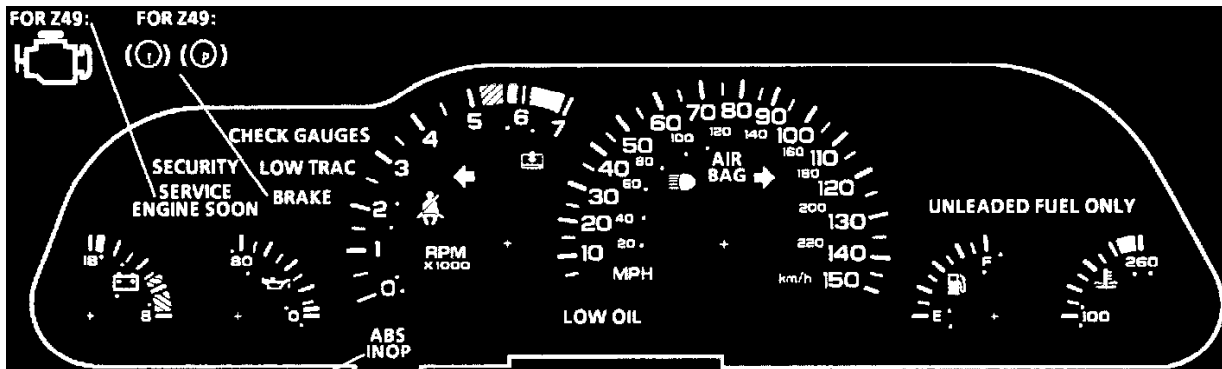
LH Rear Cargo Compartment



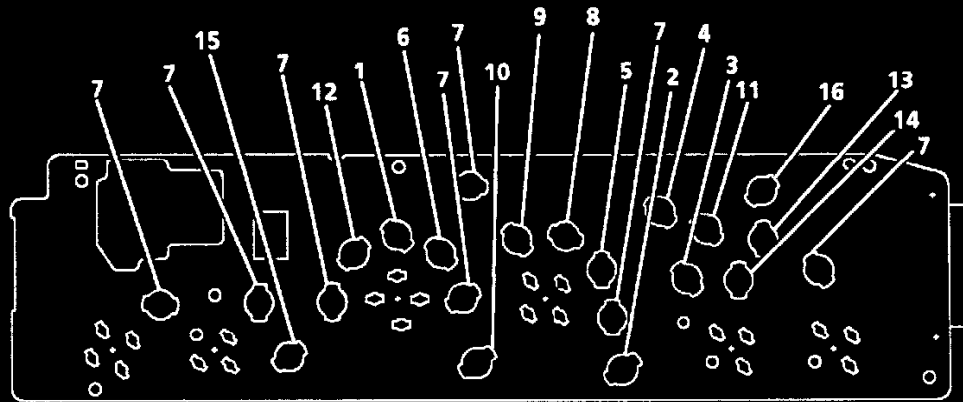
Engine Compartment



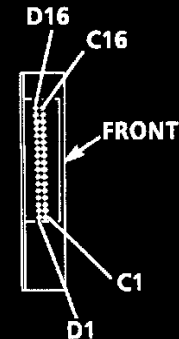
Top Front RH Side Of Engine (V6 VIN S)



FOR Z49: (1) (2)
INSTRUMENT CLUSTER - FRONT VIEW



INSTRUMENT CLUSTER - REAR VIEW

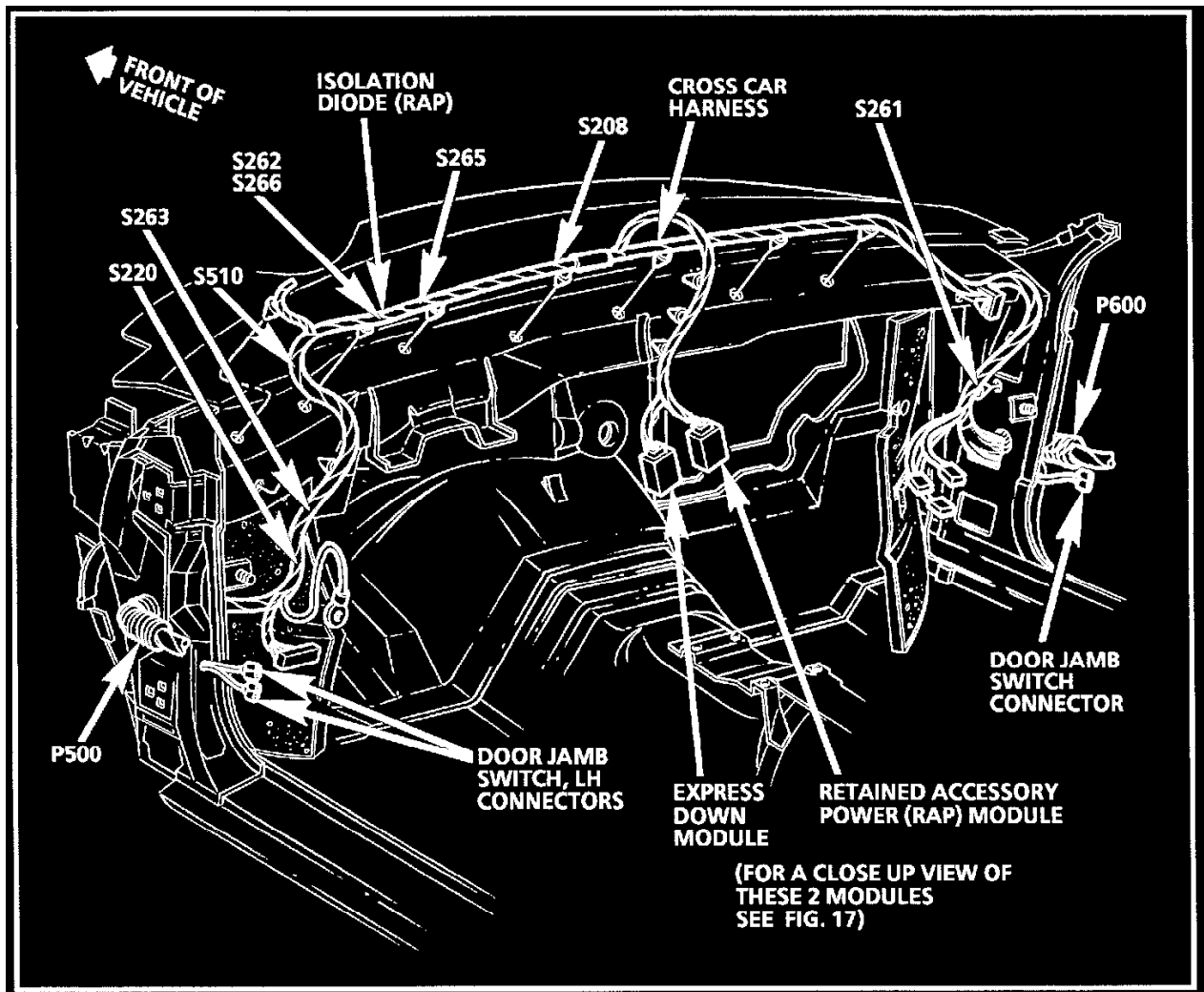


INSTRUMENT CLUSTER - SIDE VIEW

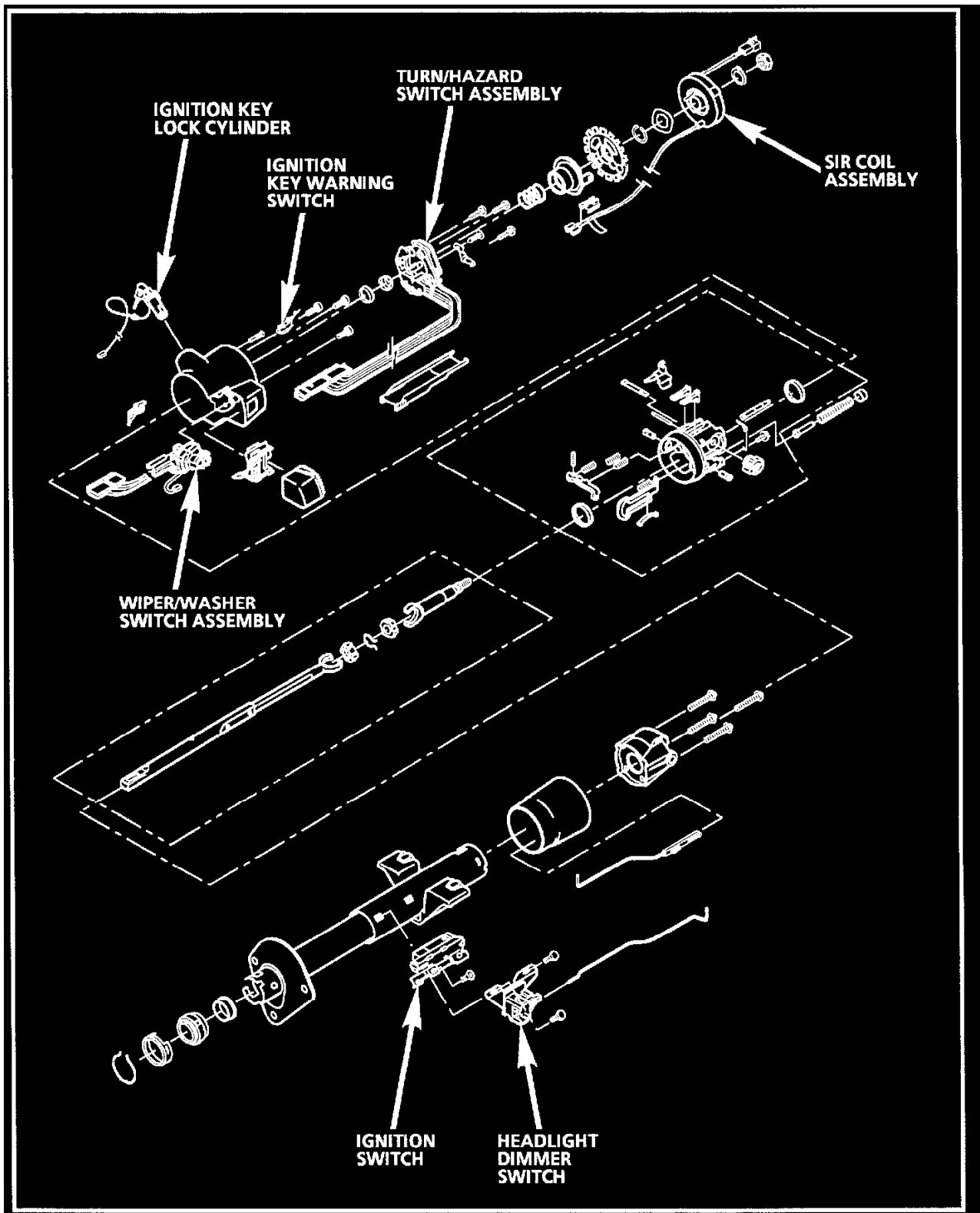
LAMP LOCATION LEGEND

1	"AIR BAG" Indicator Lamp	9	"LOW COOLANT" Indicator Lamp
2	"ABS INOP" Indicator Lamp	10	"LOW OIL" Indicator Lamp
3	"BRAKE" Indicator Lamp	11	"LOW TRAC" Indicator Lamp
4	"CHECK GAUGES" Indicator Lamp	12	Right Turn Indicator Lamp
5	"FASTEN SEAT BELT" Indicator Lamp	13	"SECURITY" Indicator Lamp
6	"HIGH BEAM" Indicator Lamp	14	"SERVICE ENGINE SOON" Indicator Lamp
7	Illumination Lamp	15	NOT USED
8	Left Turn Indicator Lamp	16	NOT USED

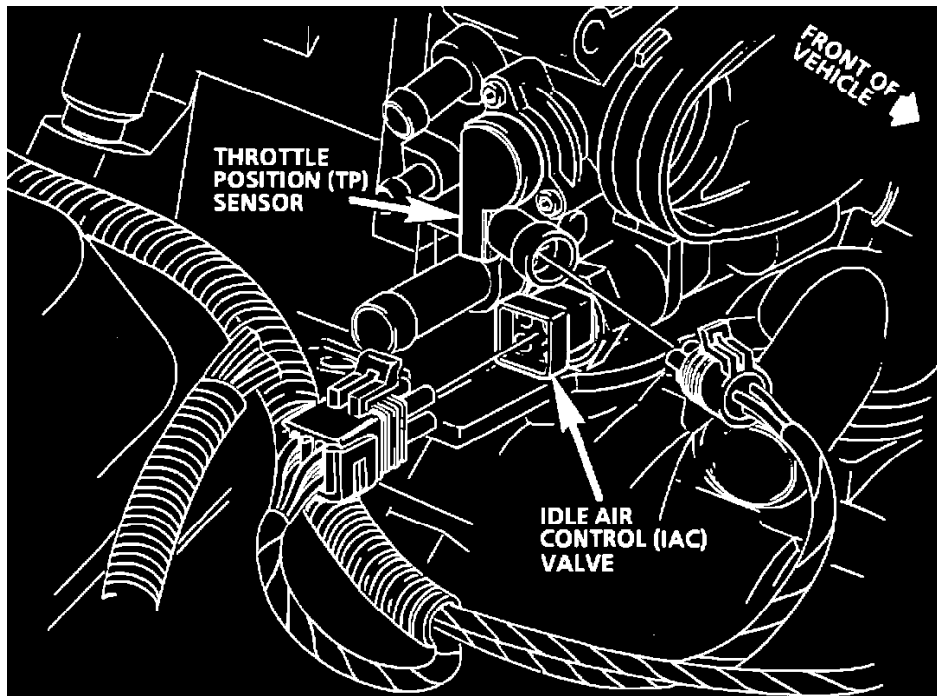
Instrument Cluster View, & Lamp Location Legend



Dash Panel With Cross Car Harness



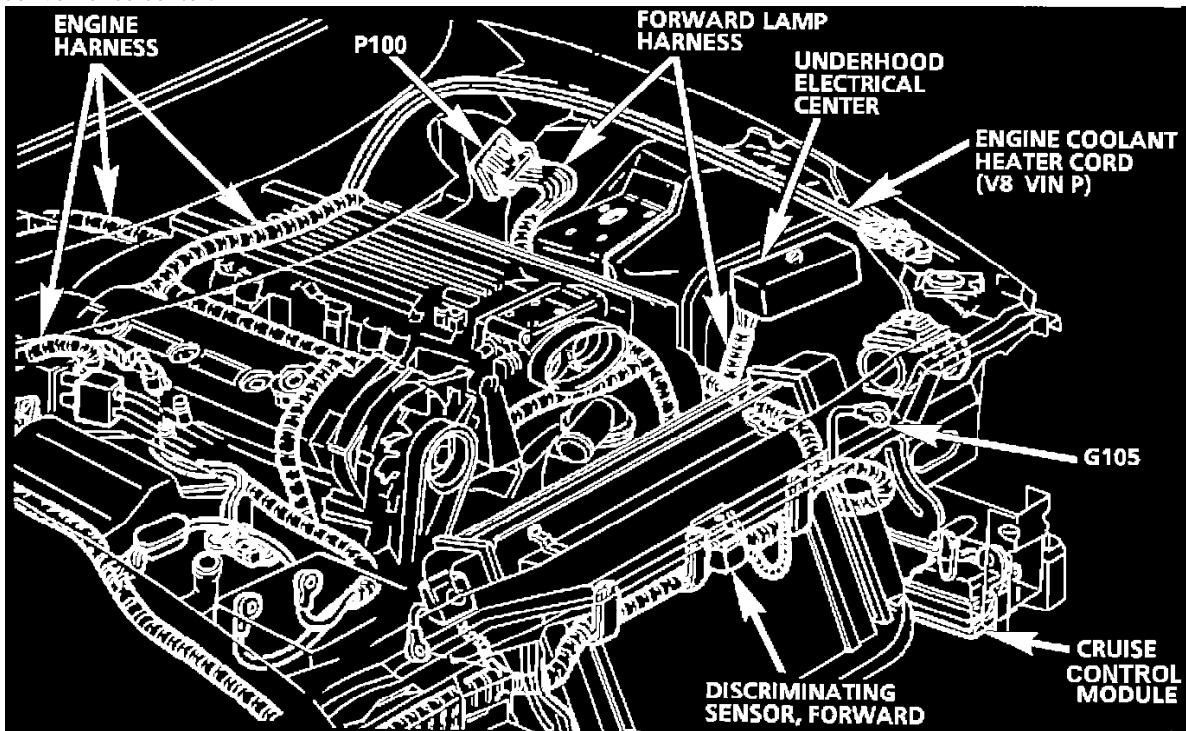
Steering Column Internals



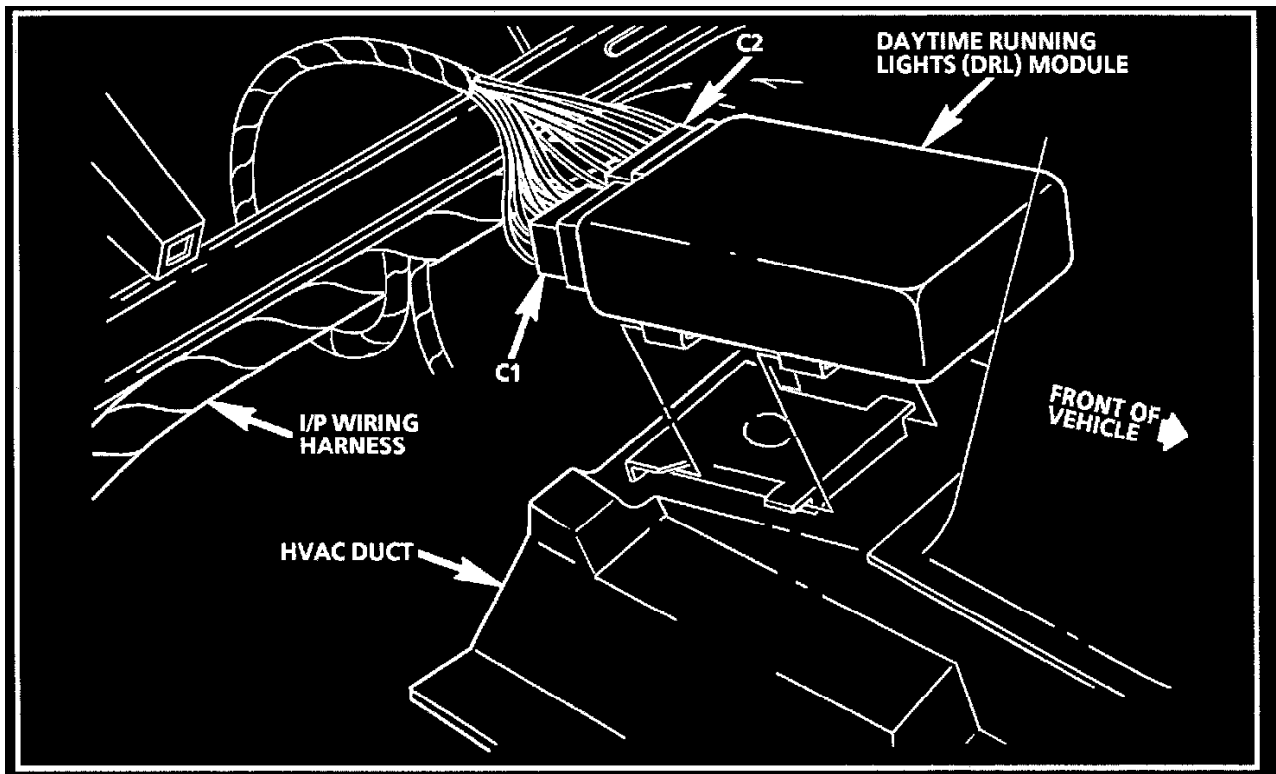
Top Front Side Of Engine

Audio Alarm Module

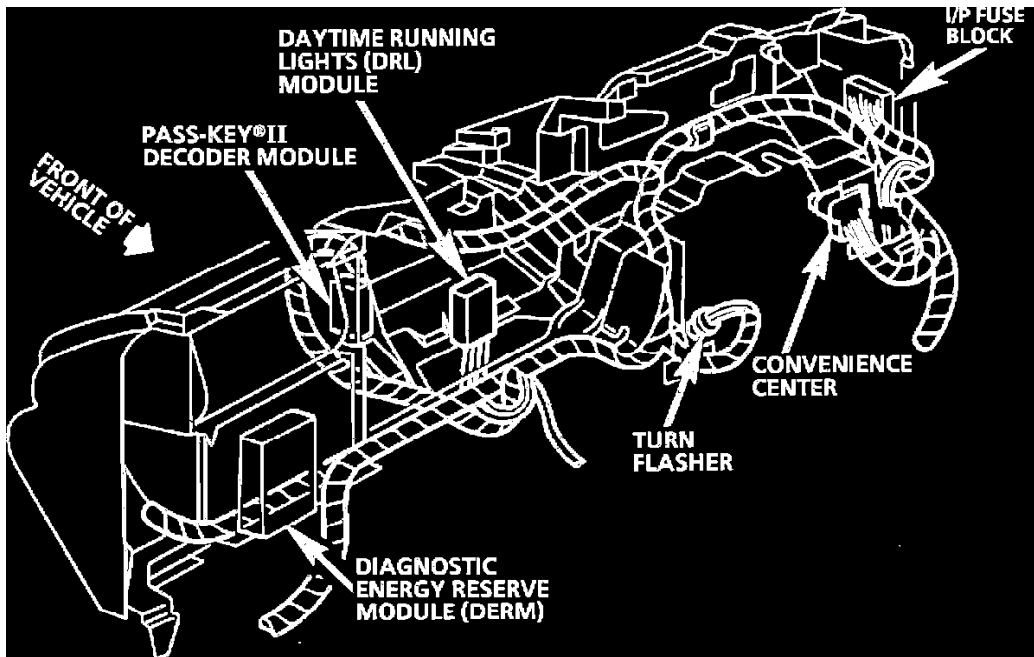
Mounted into convenience center.



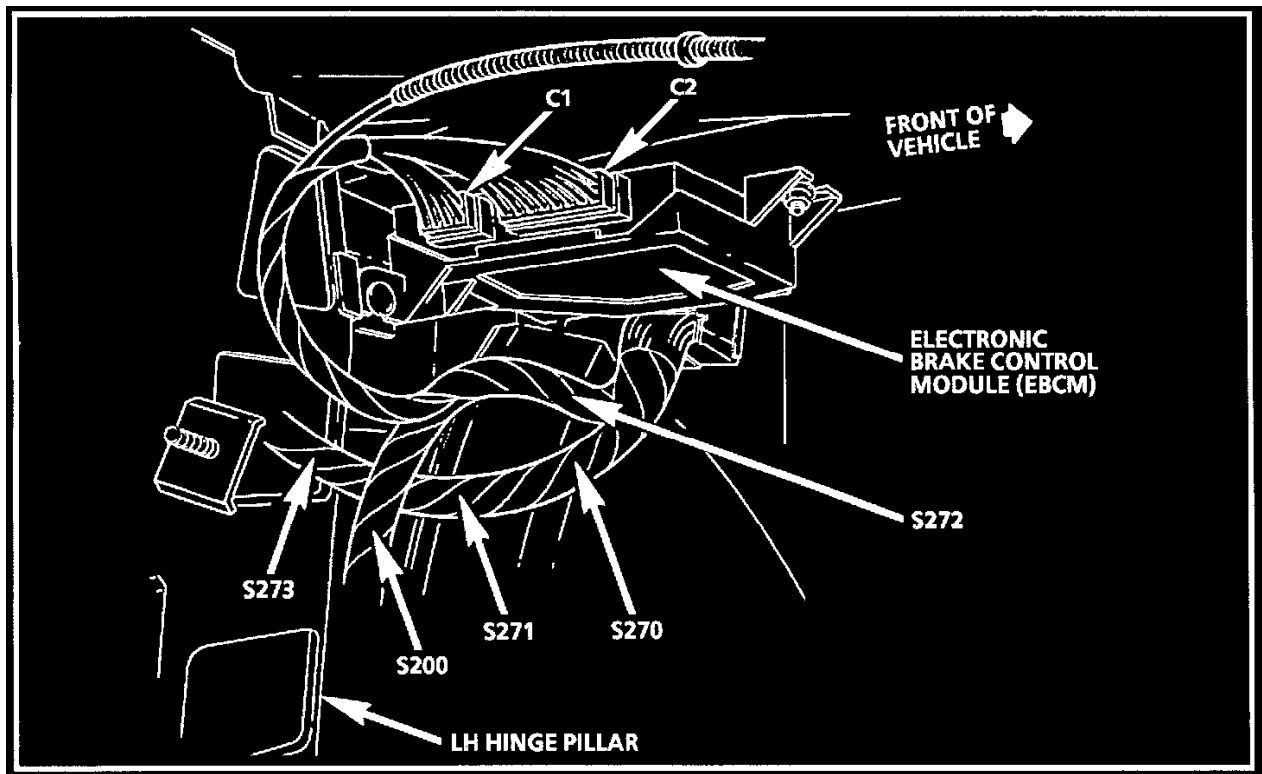
Engine Compartment



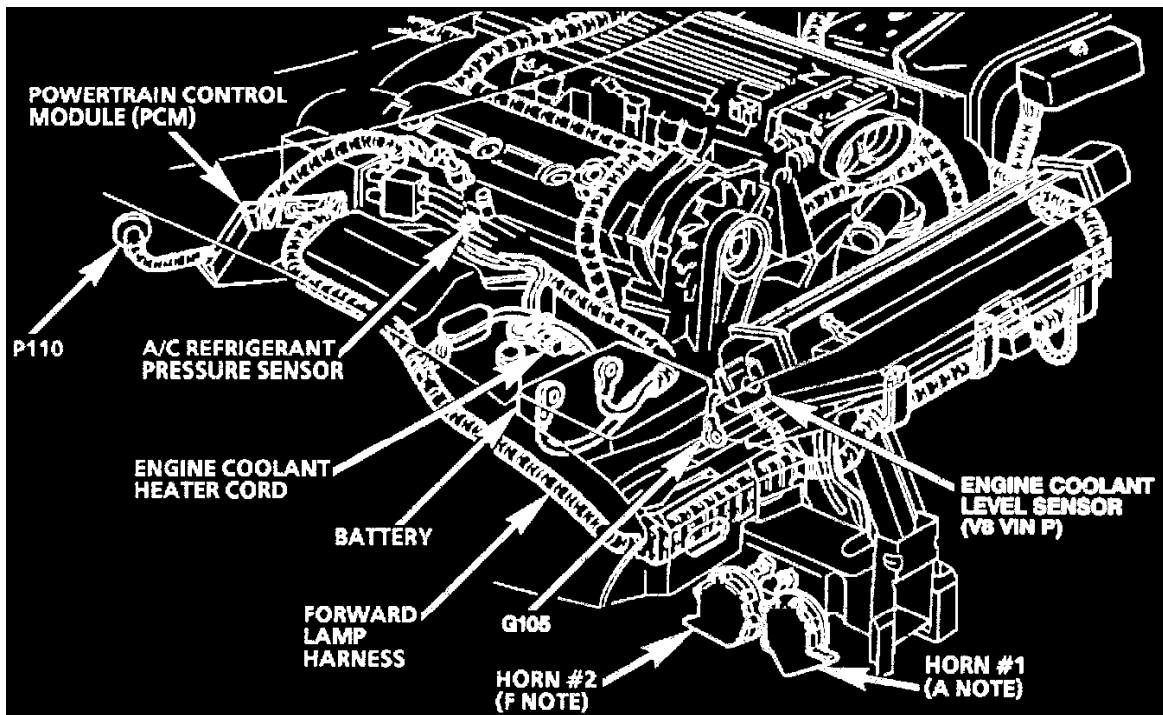
Under Center Of I/P



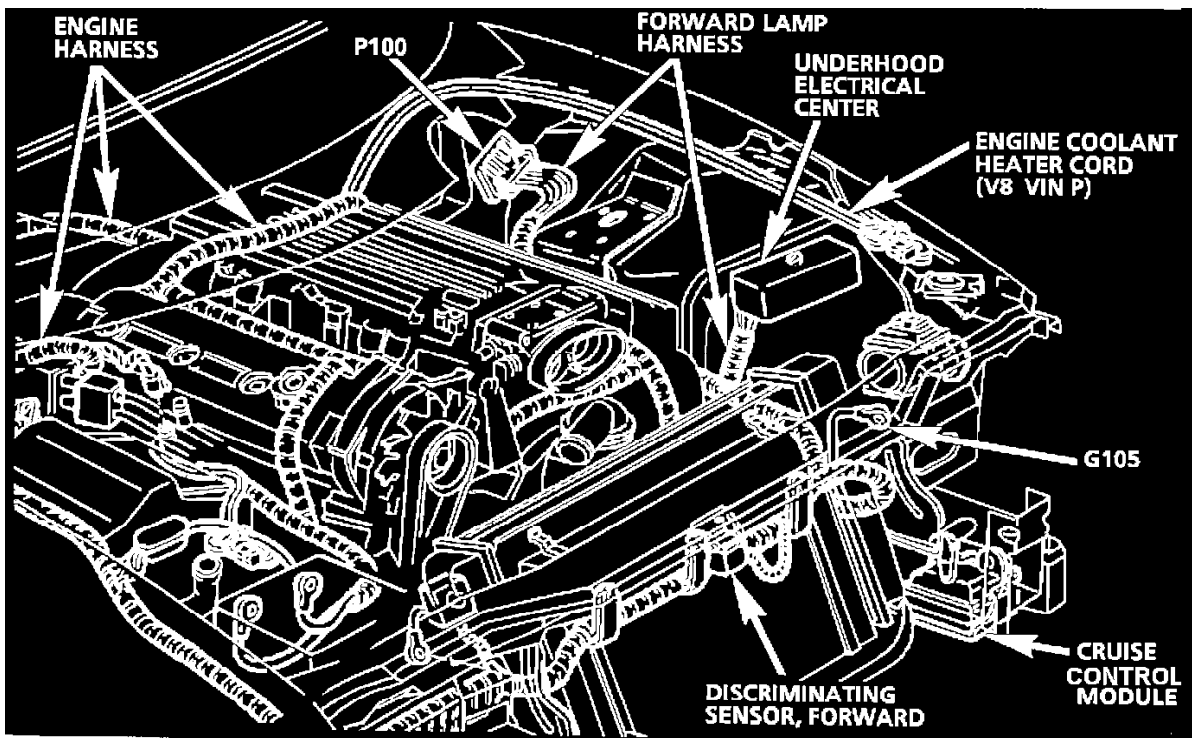
Rear View Of I/P Carrier



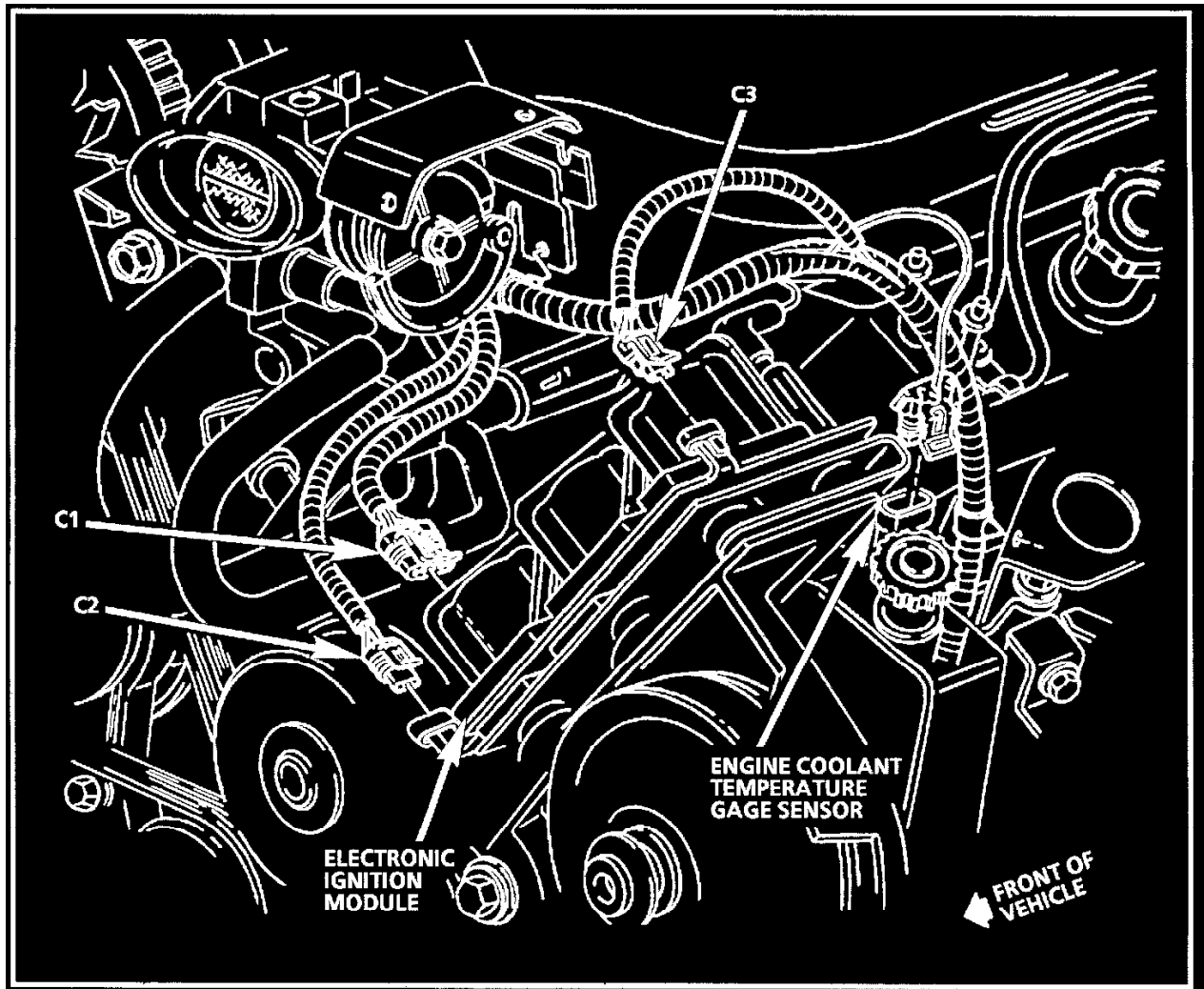
Under LH Side Of I/P



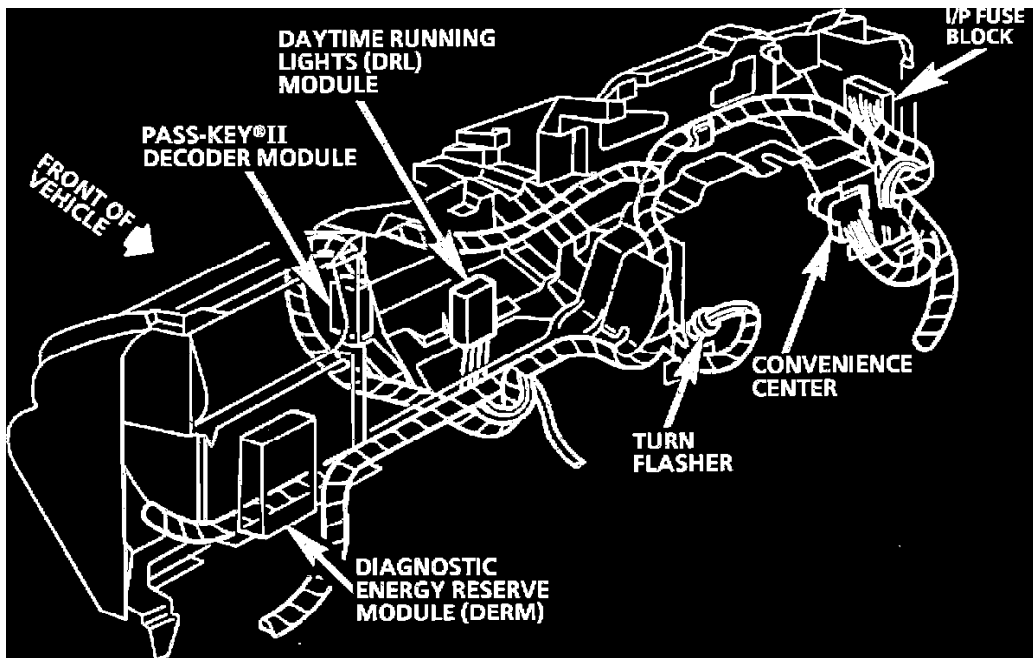
Engine Compartment



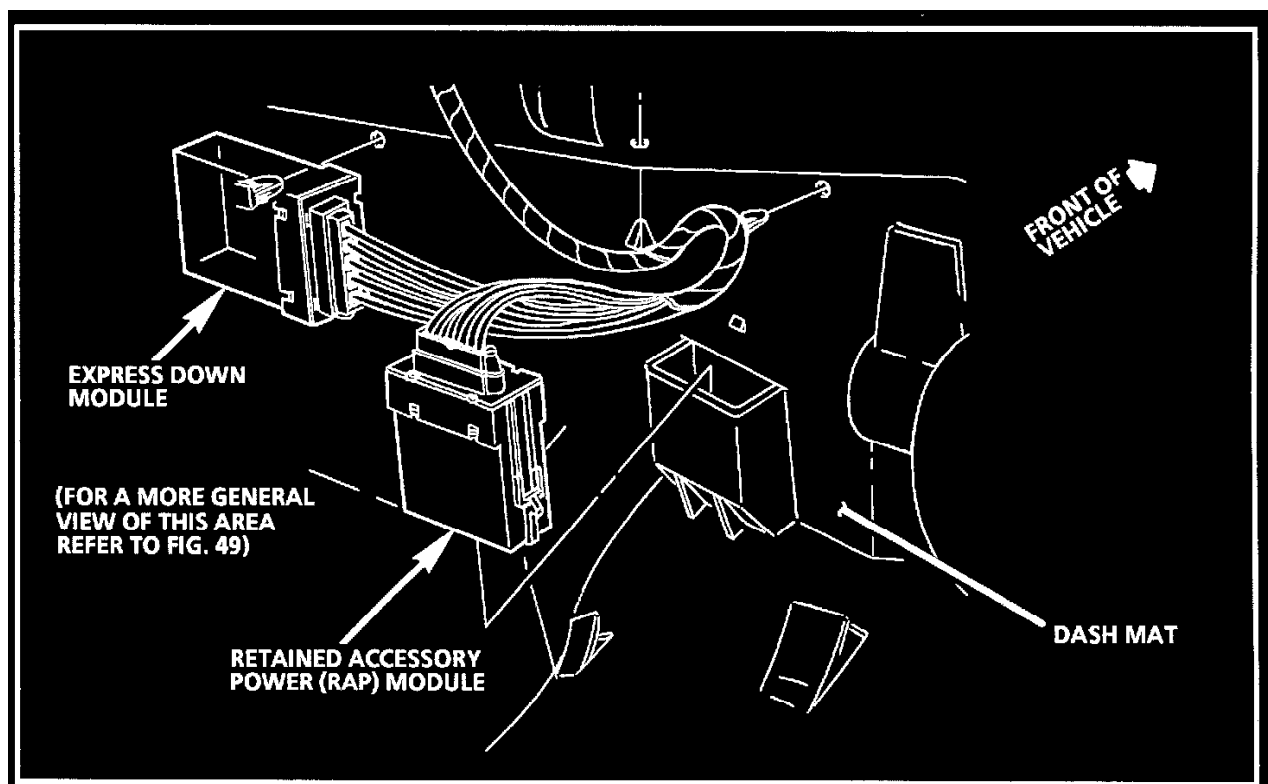
Engine Compartment



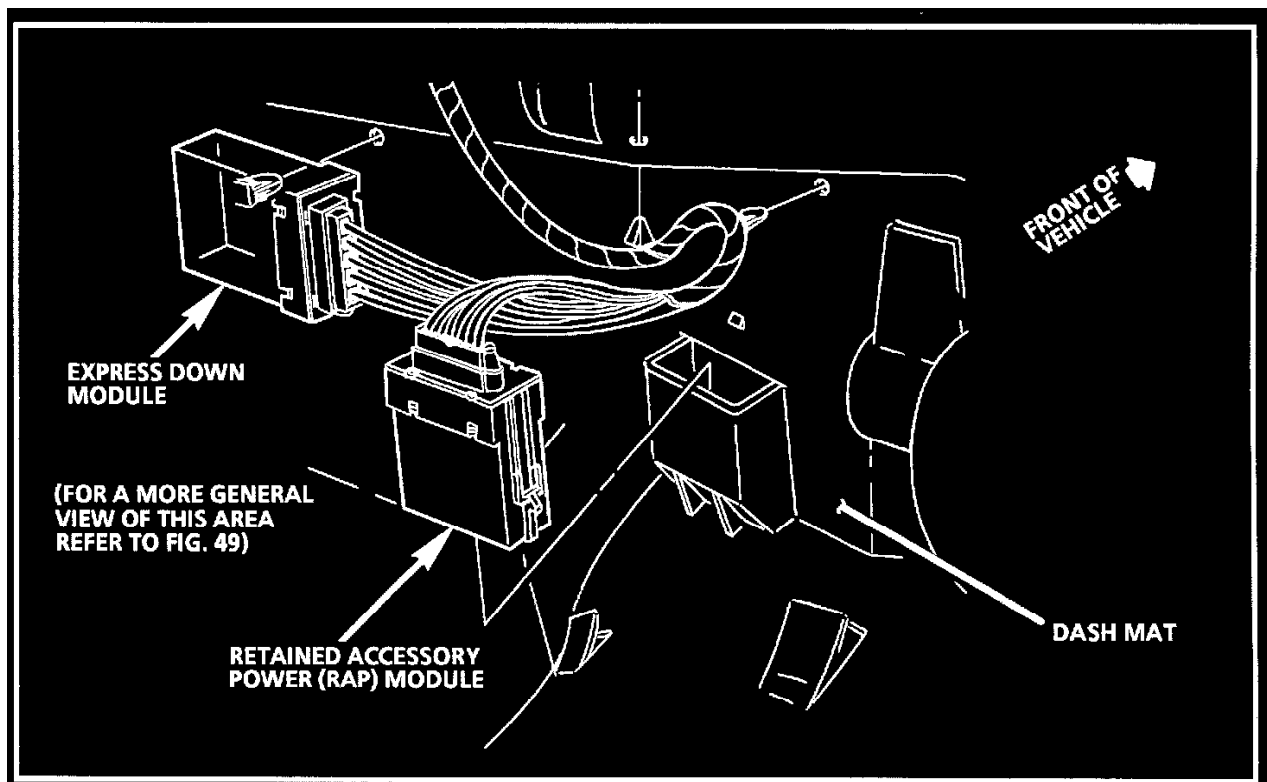
Top Front LH Side Of Engine (V6 VIN S)



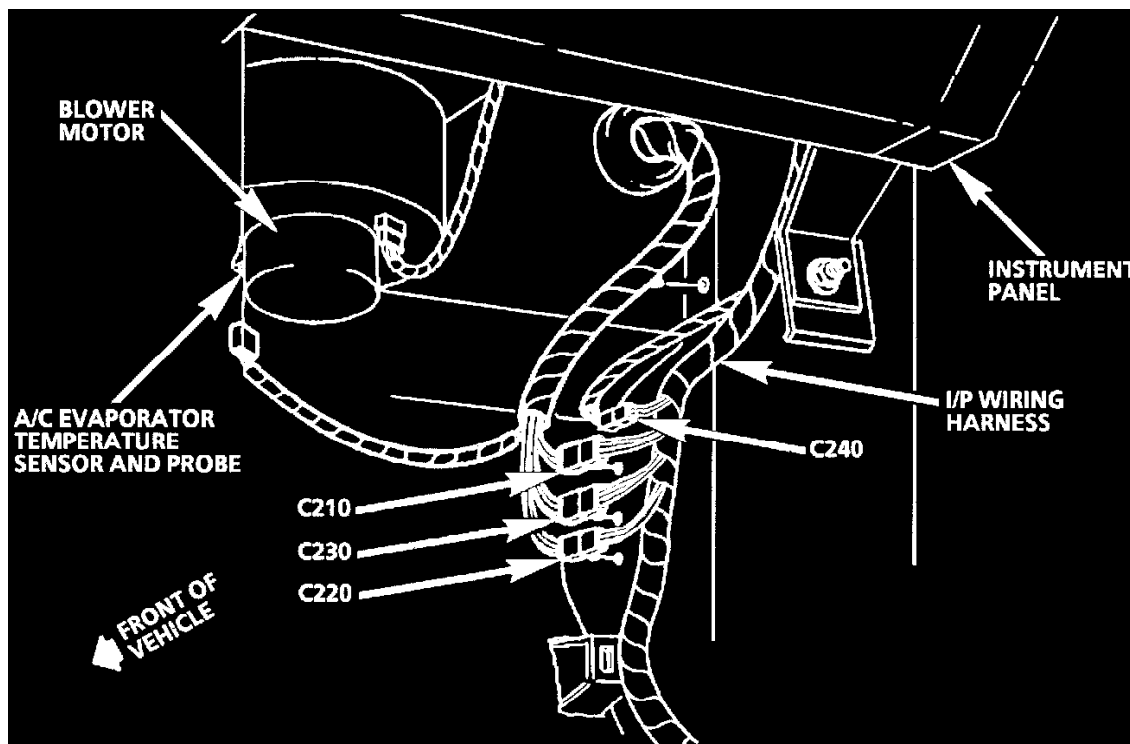
Rear View Of I/P Carrier



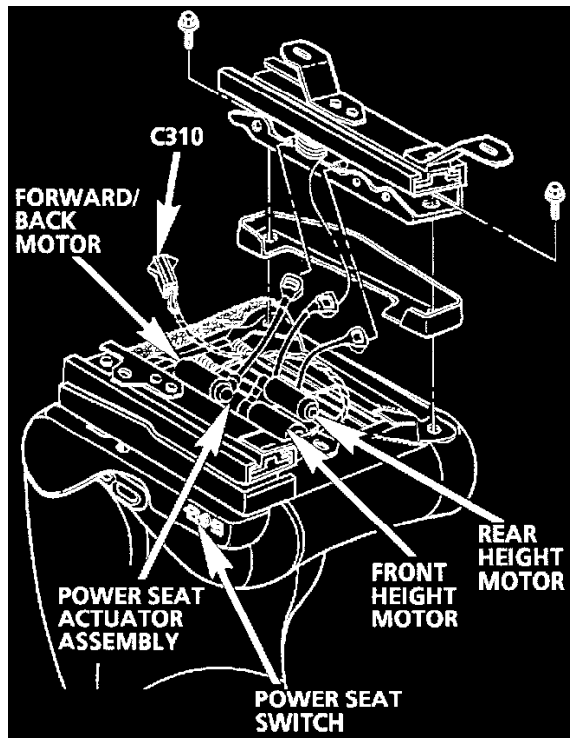
Center Of Dash Mat Above Floor Tunnel



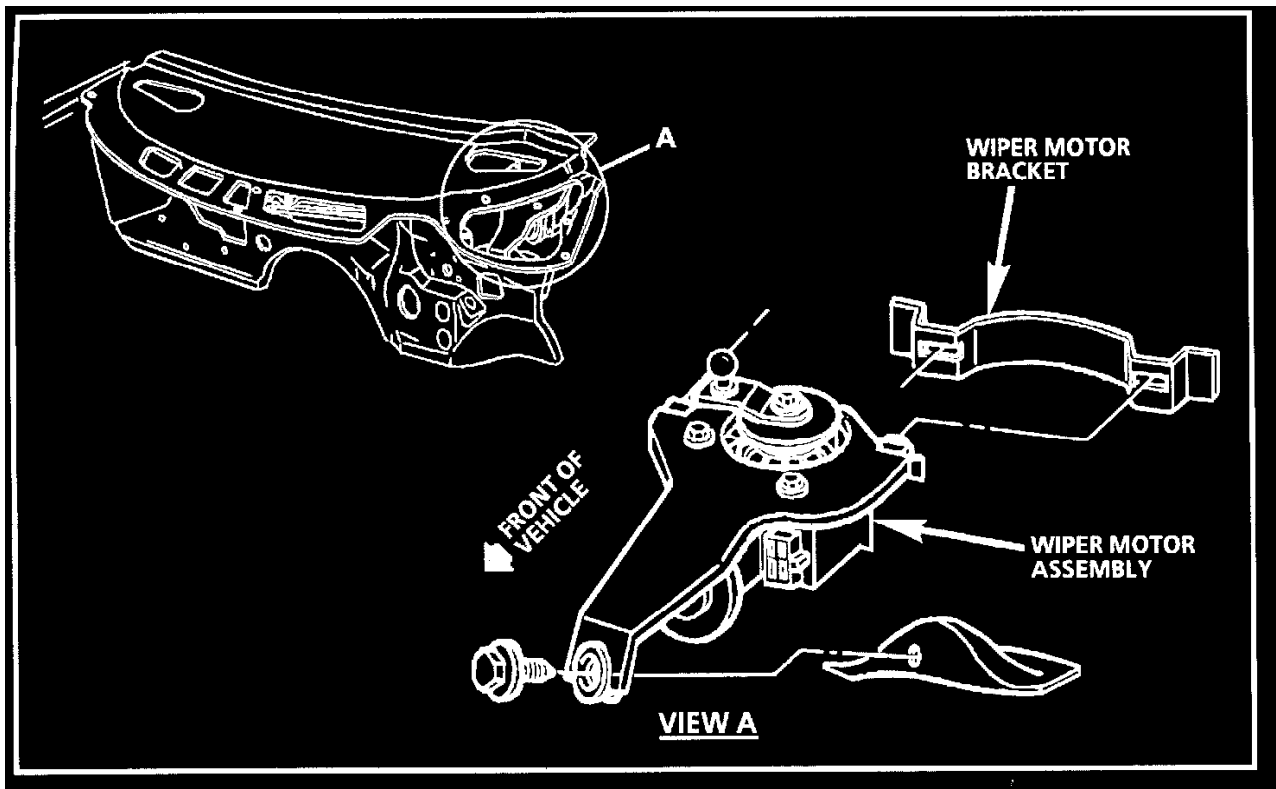
Center Of Dash Mat Above Floor Tunnel



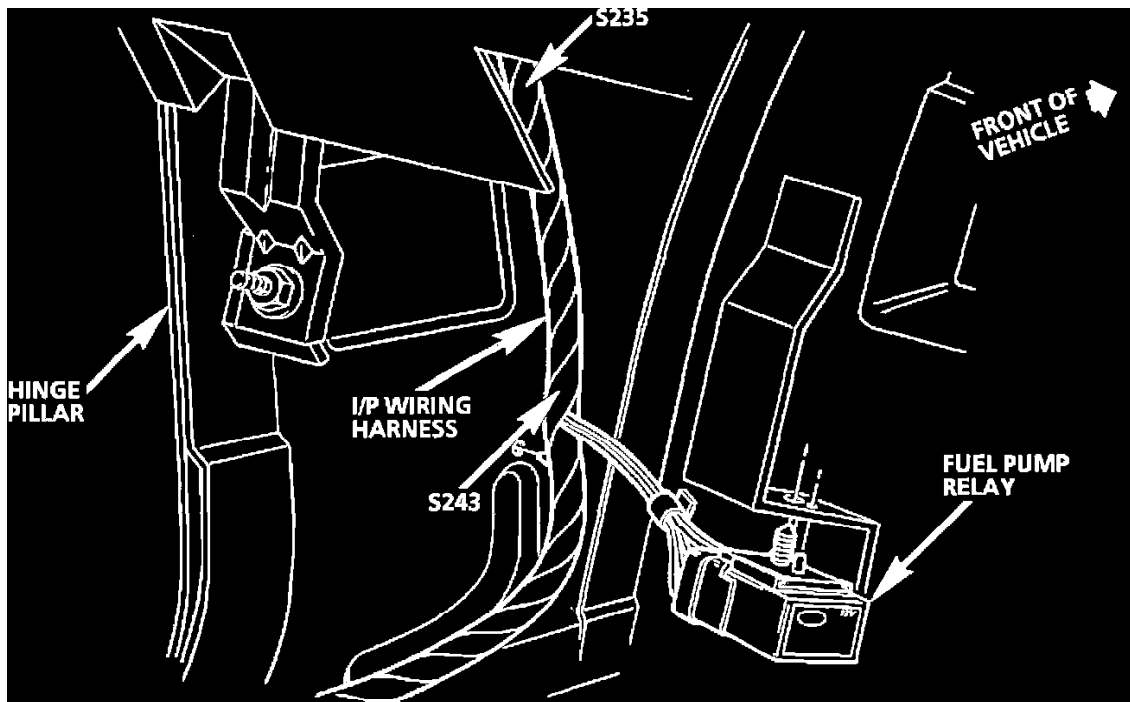
Behind Lower RH Side Of I/P



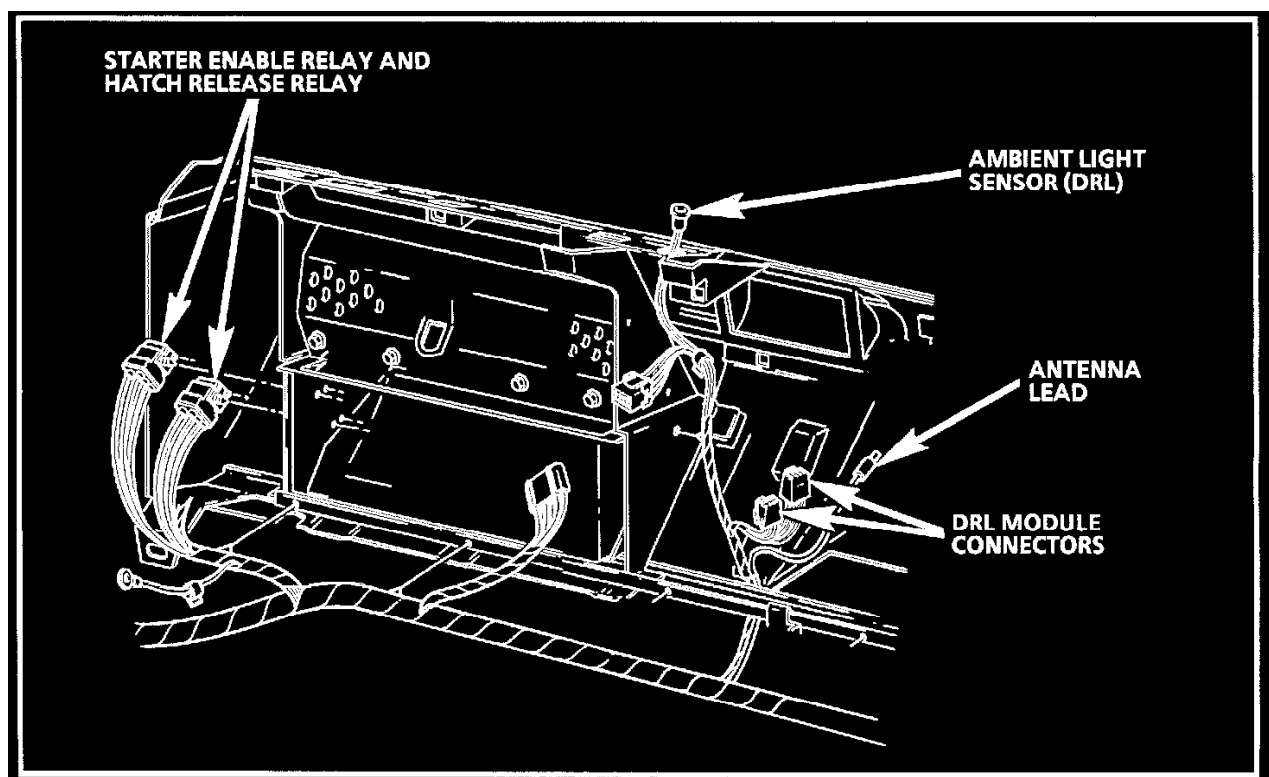
Bottom Of Driver Seat (AC3)



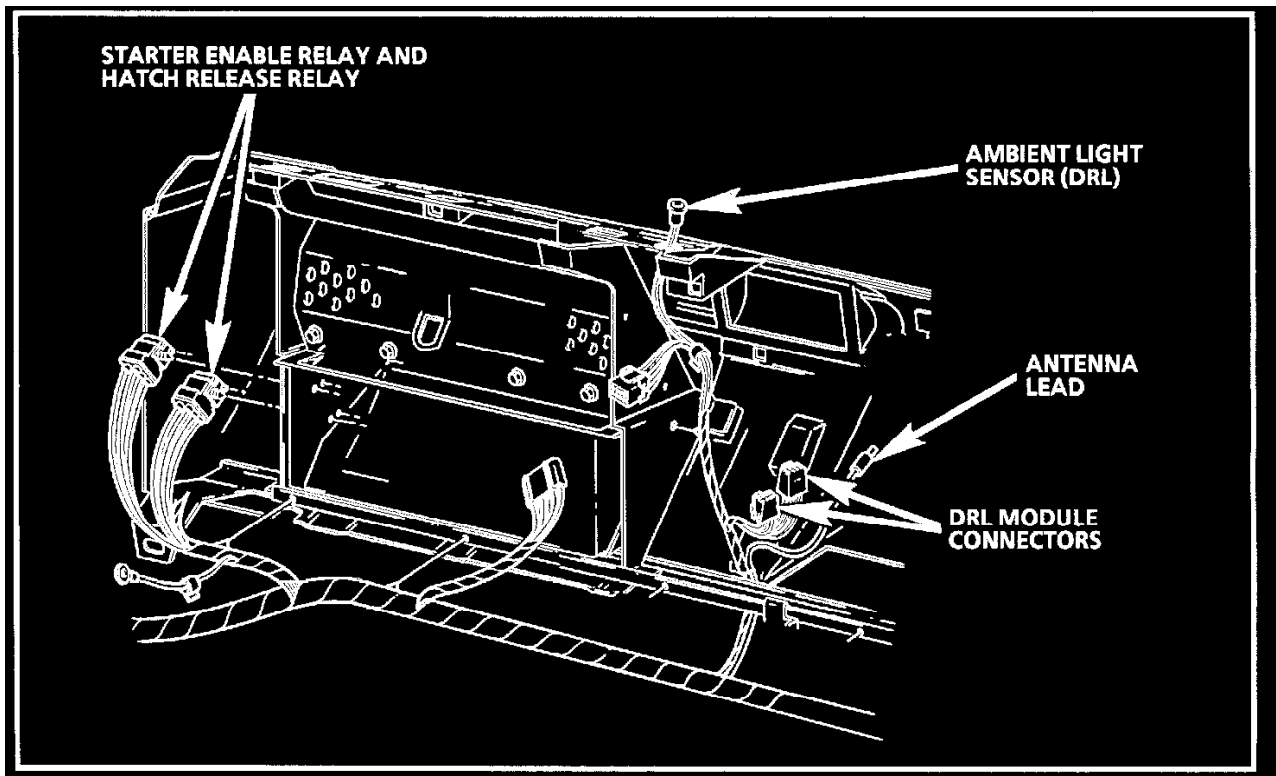
Inside LH Side Of Cowl



Behind LH Dash Mat



Behind RH Side Of I/P



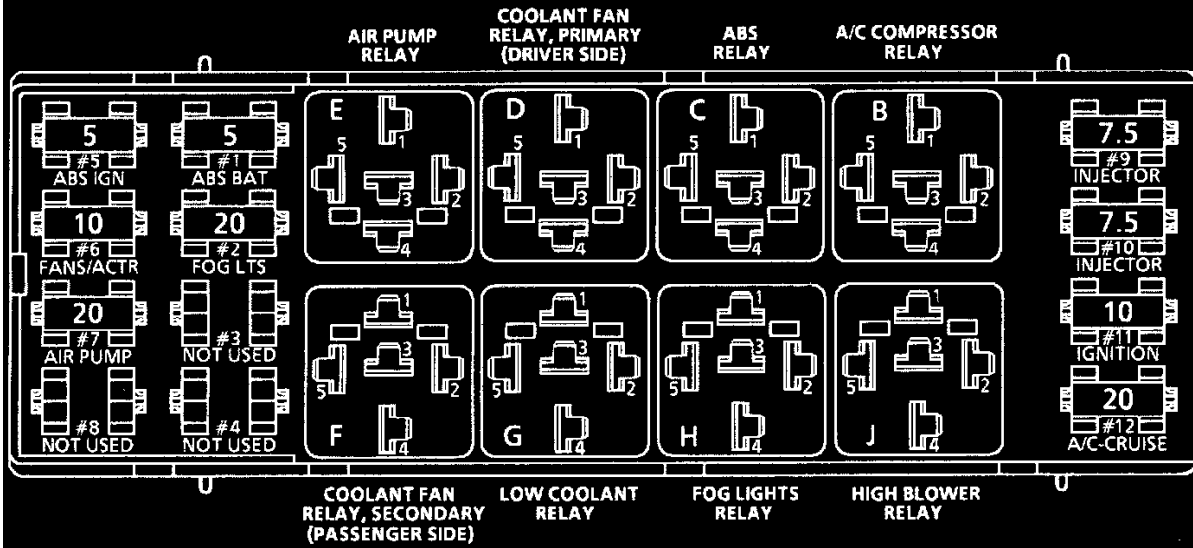
Behind RH Side Of I/P

12110396

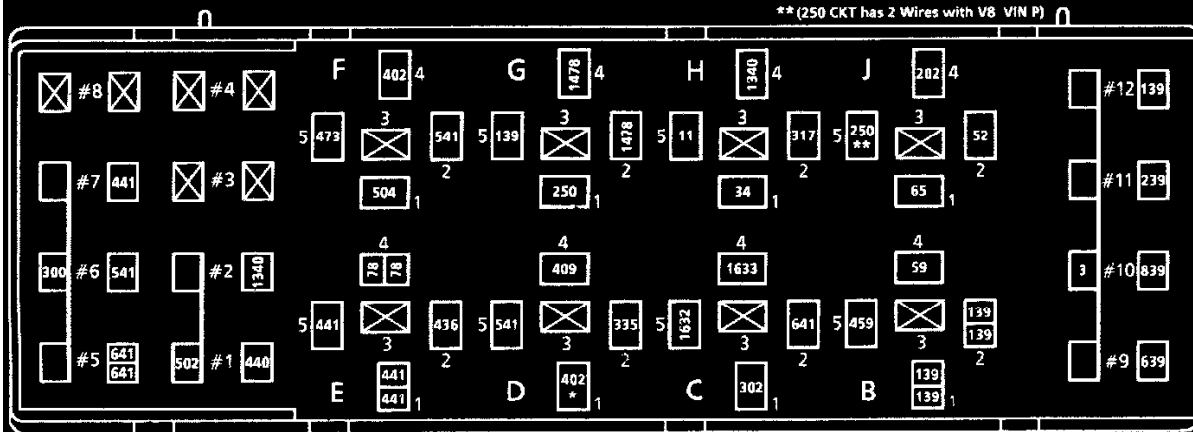
ASSEMBLY CONVENIENCE CENTER
BLK (BLOCK)

12129351

COVER CONVENIENCE CENTER
BLK (COVER)



TOP VIEW



BACK VIEW

Fuse Block Details: Underhood Electrical Center

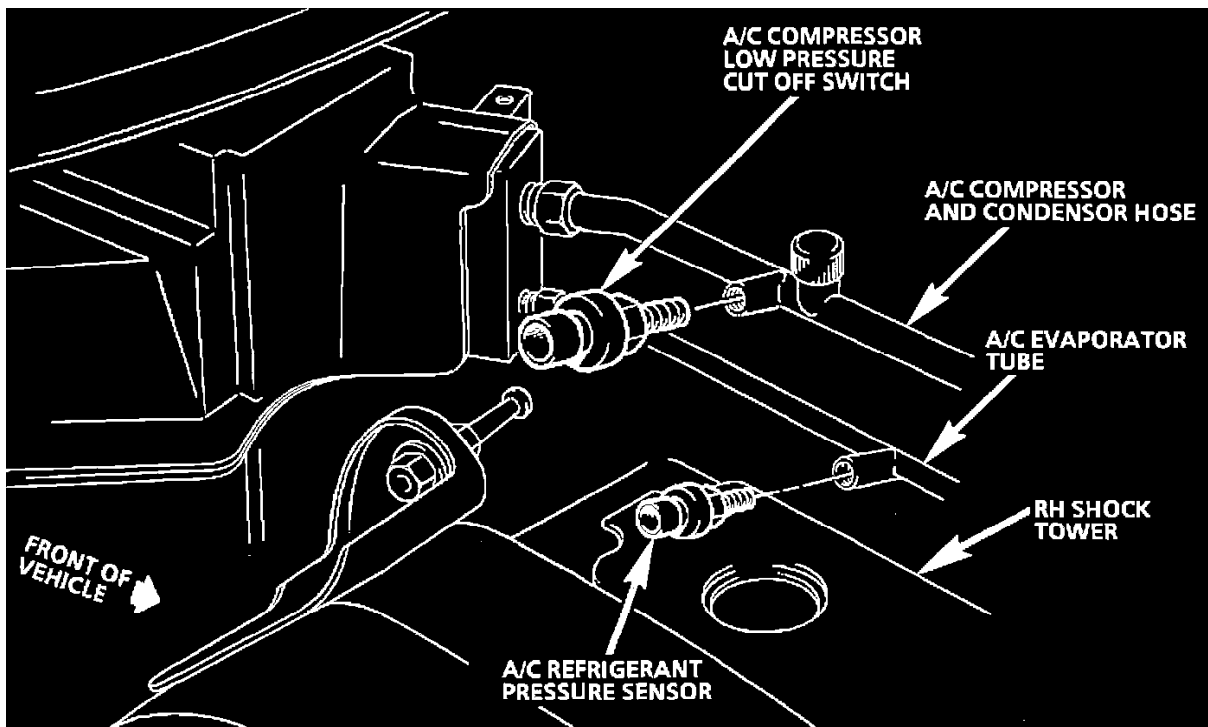
FUSE NUMBER	FUSE NAME	RATING (AMPS)	RELATED CIRCUITRY
1	ABS BAT	5	Electronic Brake Control Module
2	FOG LTS	20	Fog Lights
3	NOT USED	-	
4	NOT USED	-	
5	ABS IGN	5	Antilock Brake System
6	FANS/ACTR	10	Coolant Fan Relays, EVAP Canister Purge Solenoid, Exhaust Gas Recirculation, Reverse Lockout Solenoid
7	AIR PUMP	20	Air Injection Pump Assembly, Air Pump Relay
8	NOT USED	-	
9	INJECTOR	7.5	Fuel Injectors
10	INJECTOR	7.5	Fuel Injectors
11	IGNITION	10	V6 VIN 5: Camshaft Position Sensor, Crankshaft Position Sensor, Electronic Ignition Module V8 VIN P: Ignition Coil, Ignition Coil Driver
12	A/C-CRUISE	20	A/C Compressor Relay, Cruise Control Switches and Module, Low Coolant Relay

UNDERHOOD ELECTRICAL CENTER – RELAYS

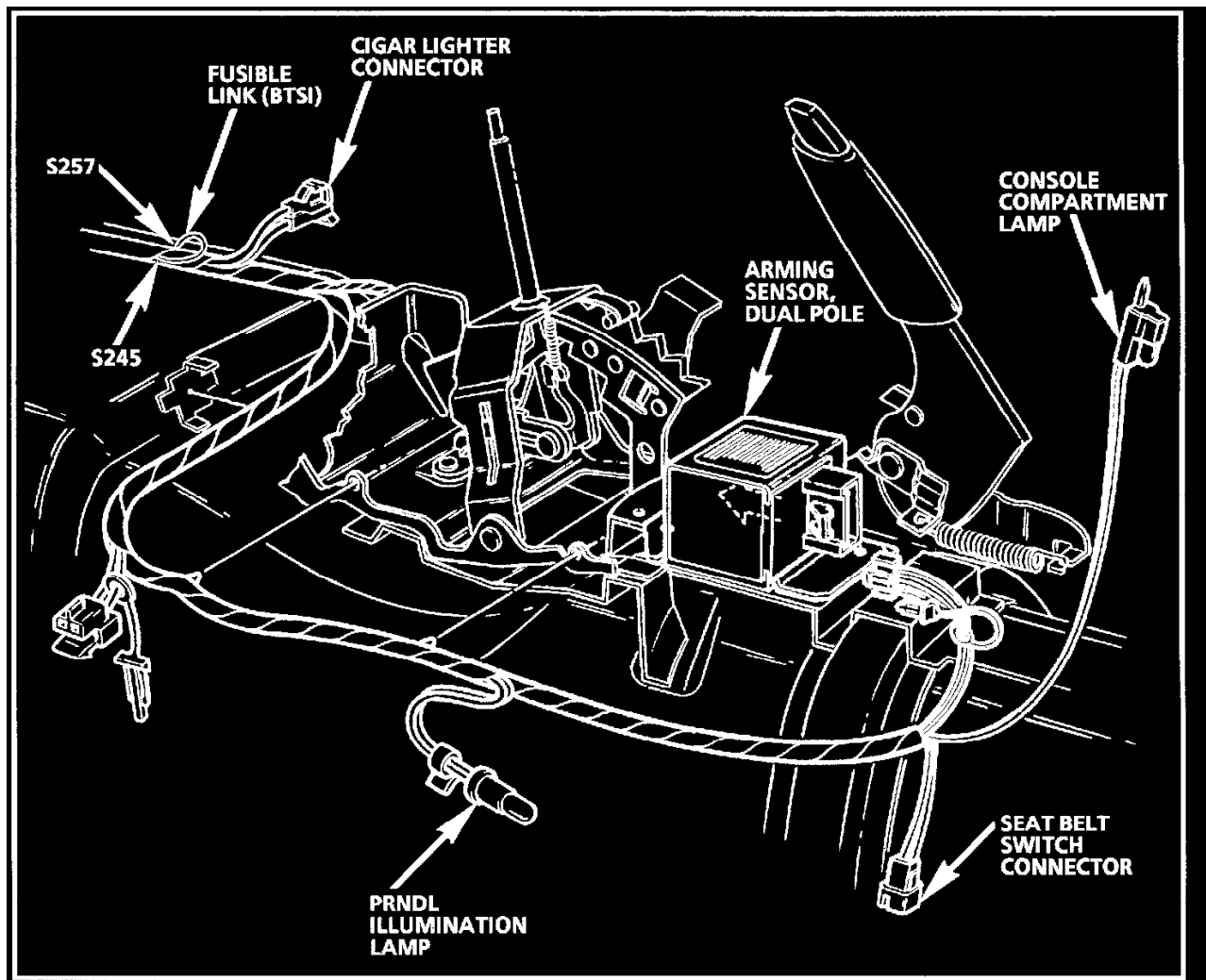
RELAY LOCATION	RELAY NAME
B	A/C COMPRESSOR
C	ABS
D	COOLANT FAN, PRIMARY
E	AIR PUMP
F	COOLANT FAN, SECONDARY
G	LOW COOLANT
H	FOG LIGHTS
J	HIGH BLOWER

AUTOFUSE FUSE COLOR/RATINGS	
COLOR	AMPS
TAN	5
BROWN	7.5
RED	10
BLUE	15
YELLOW	20

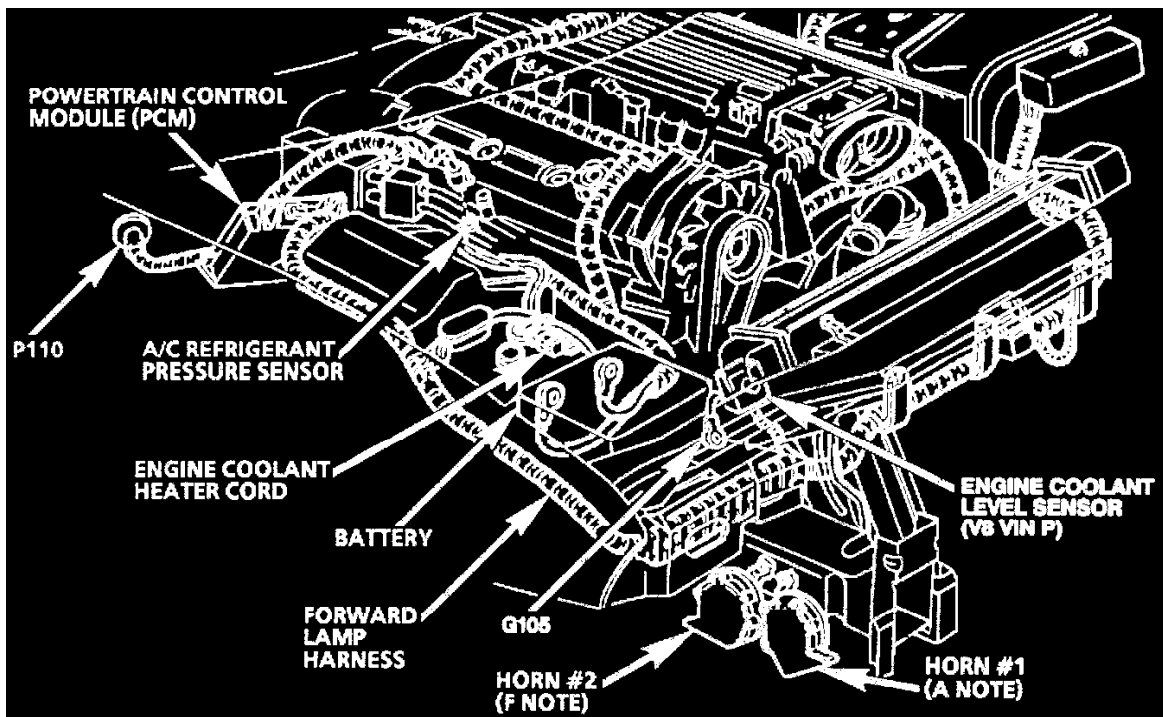
Fuse Block Details: Underhood Electrical Center Cont.



Rearward Of RH Shock Tower



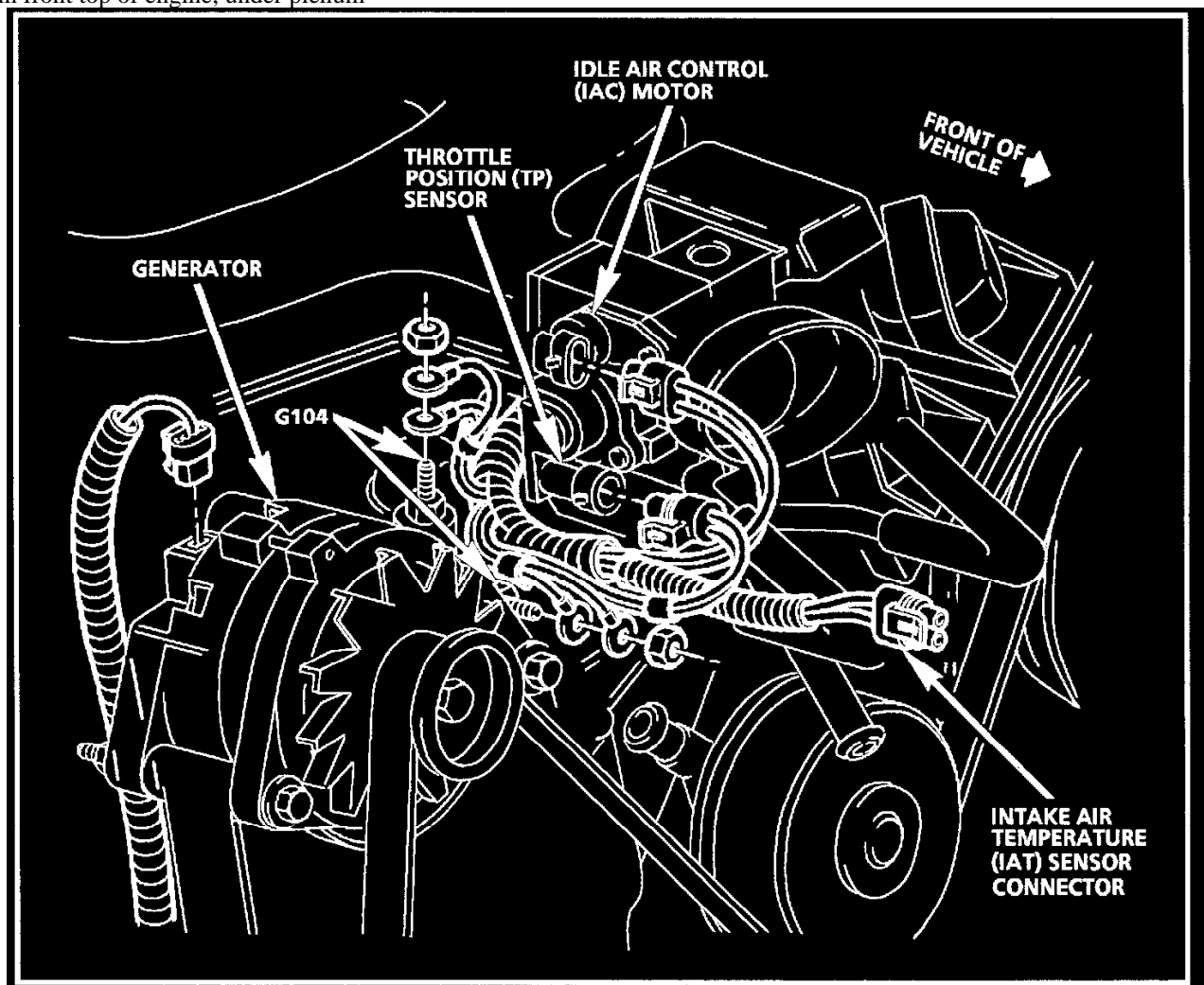
LH Side, Under Console-Automatic (MD8)



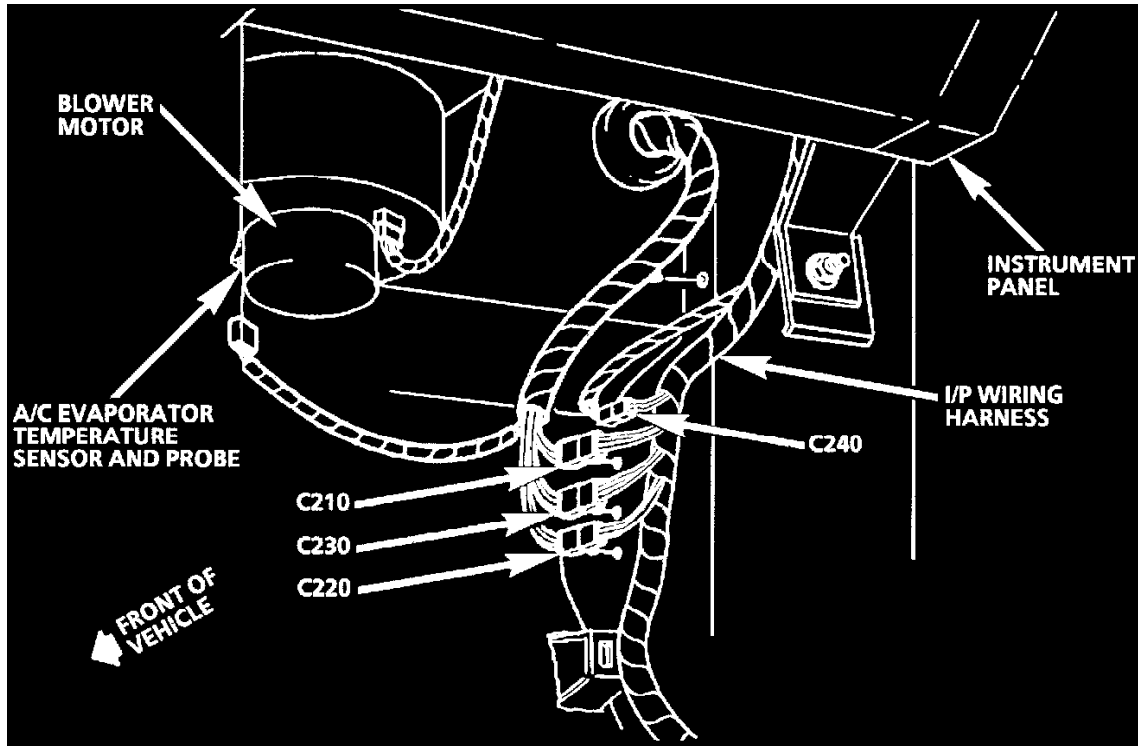
Engine Compartment

Coolant Temperature Sensor

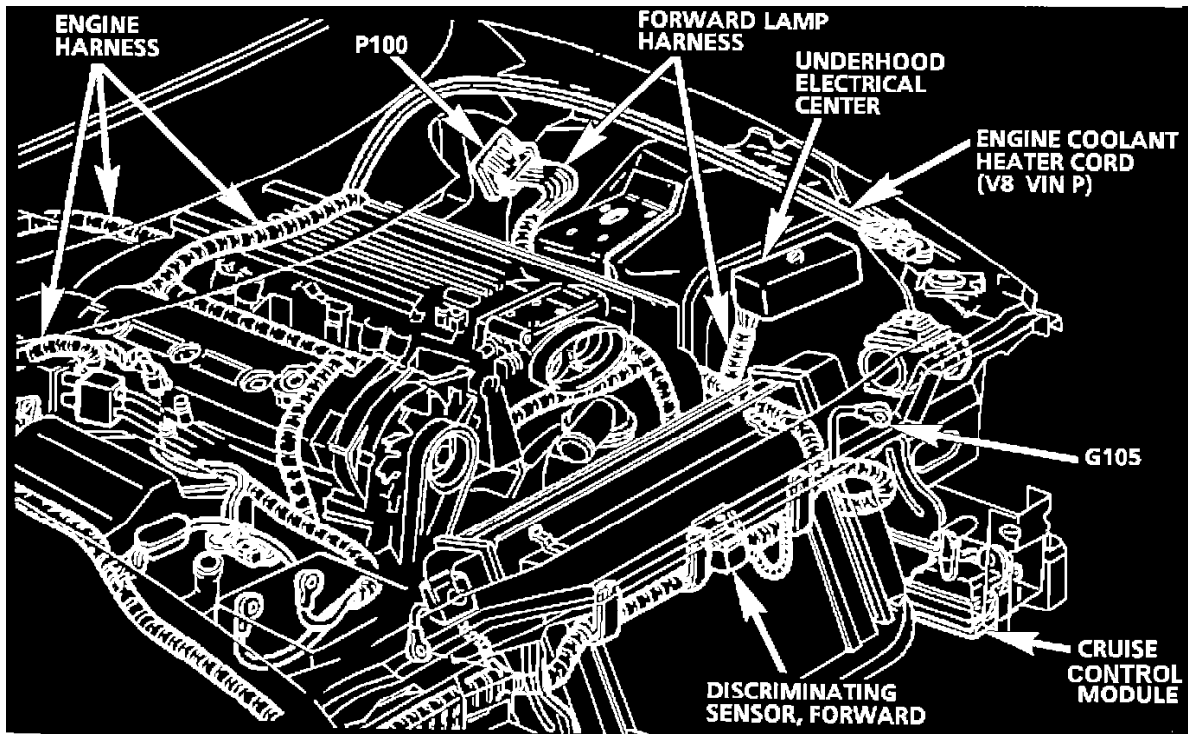
Mounted in front top of engine, under plenum



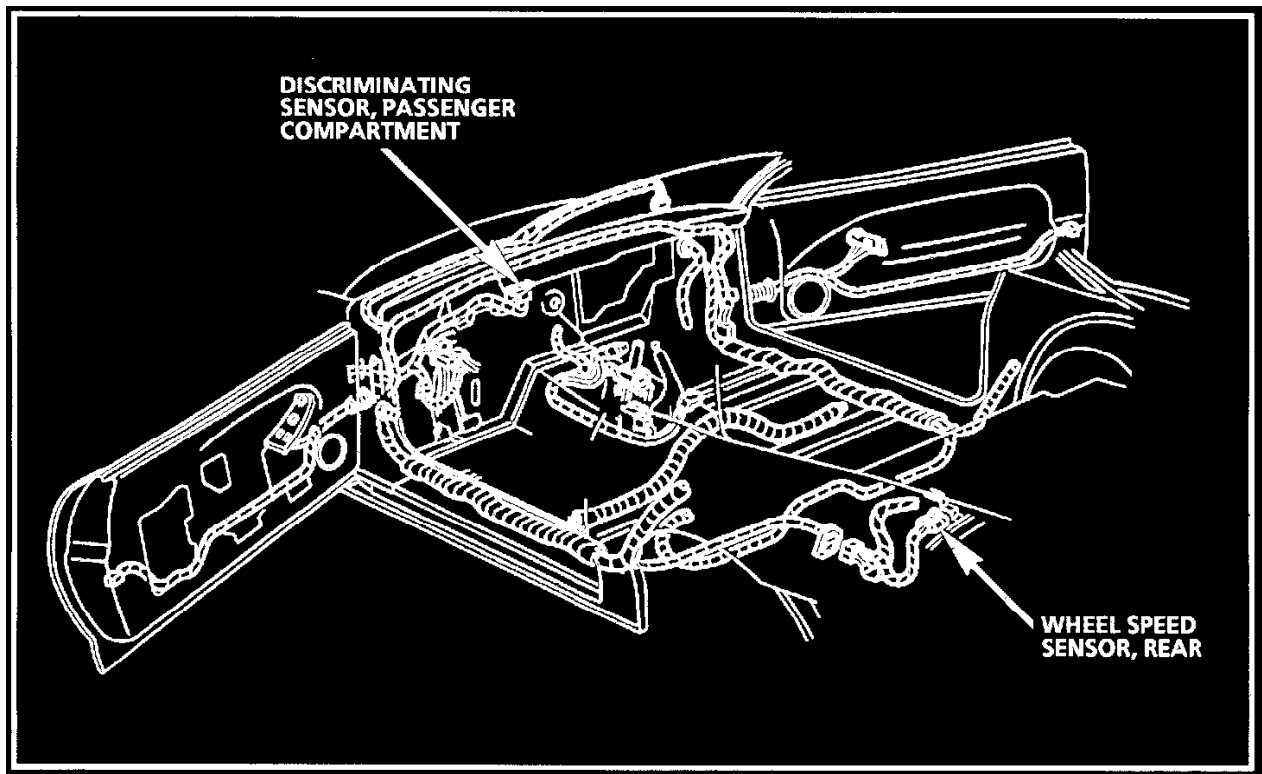
Top Front RH Side Of Engine (V6 VIN S)



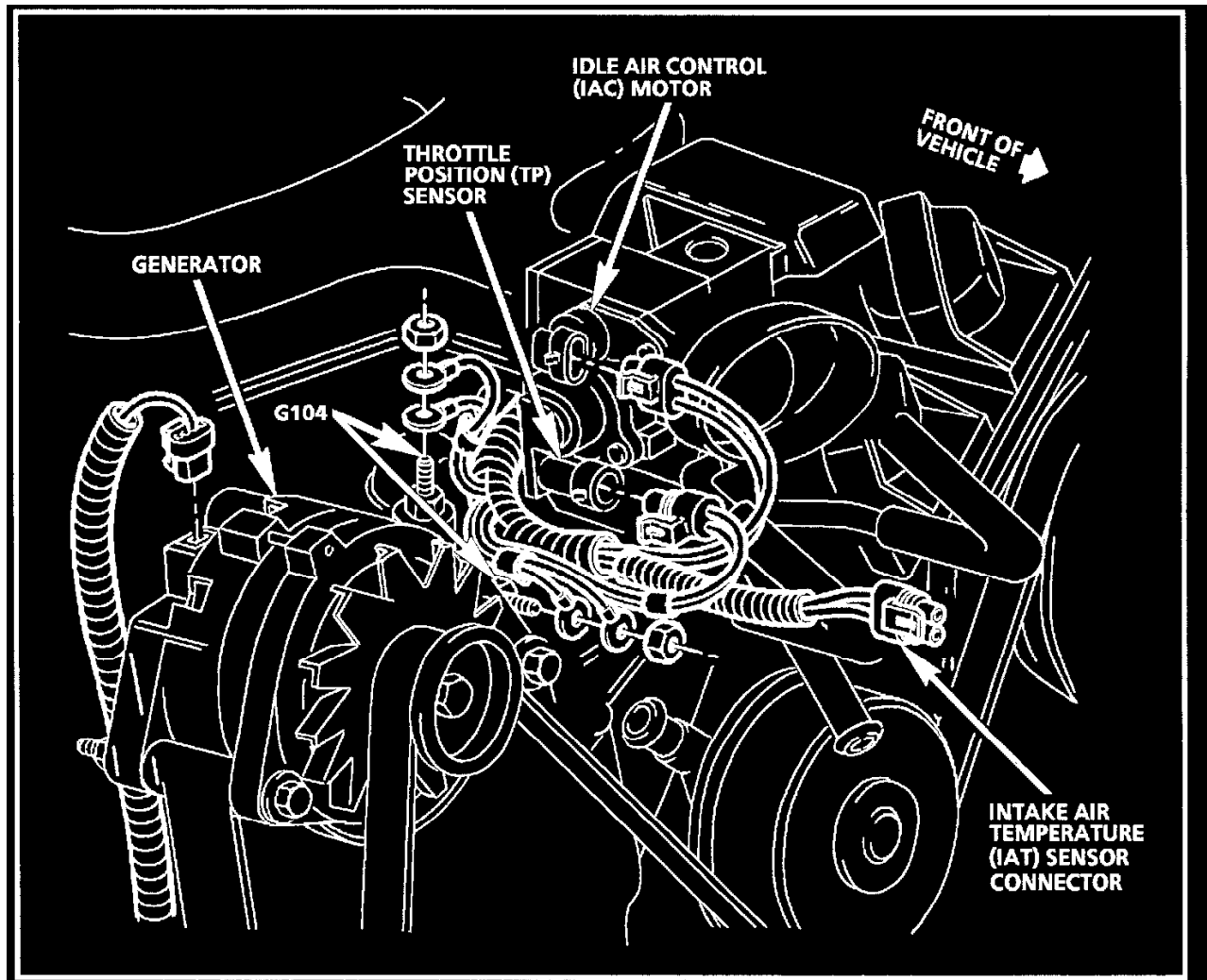
Behind Lower RH Side Of I/P



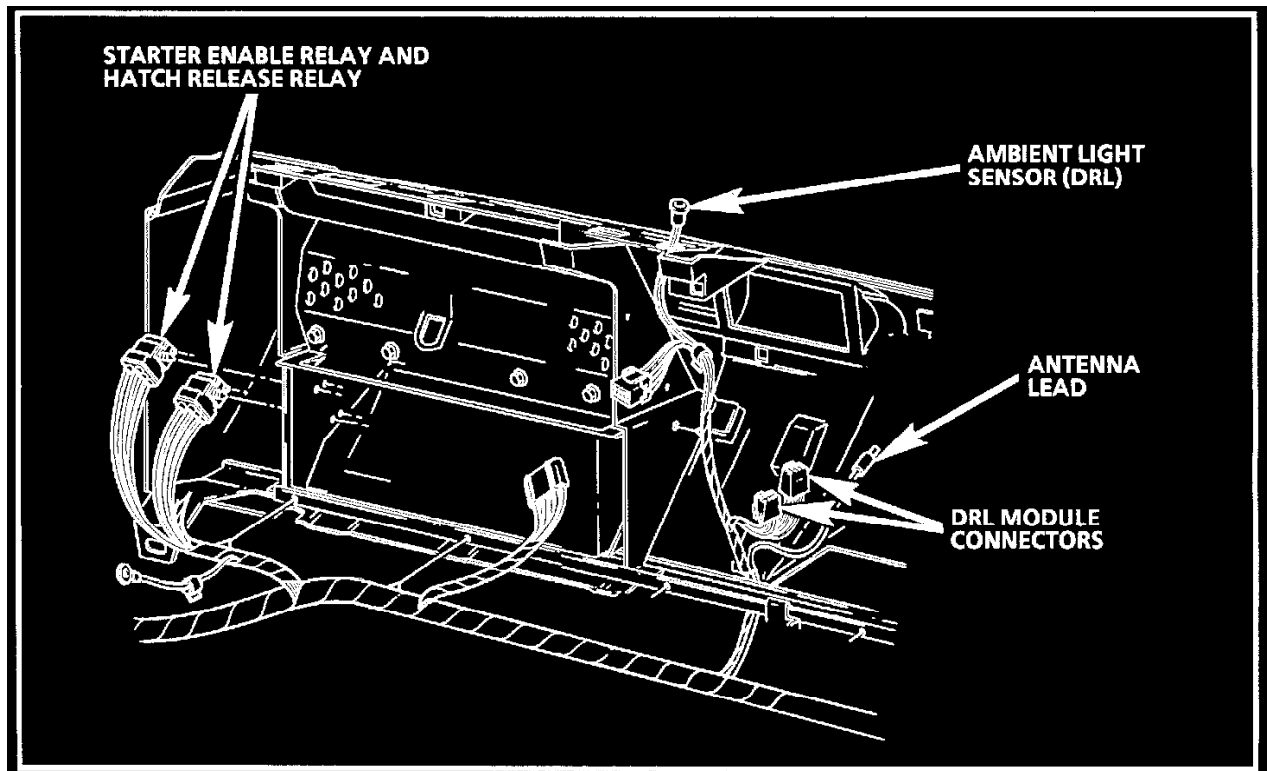
Engine Compartment



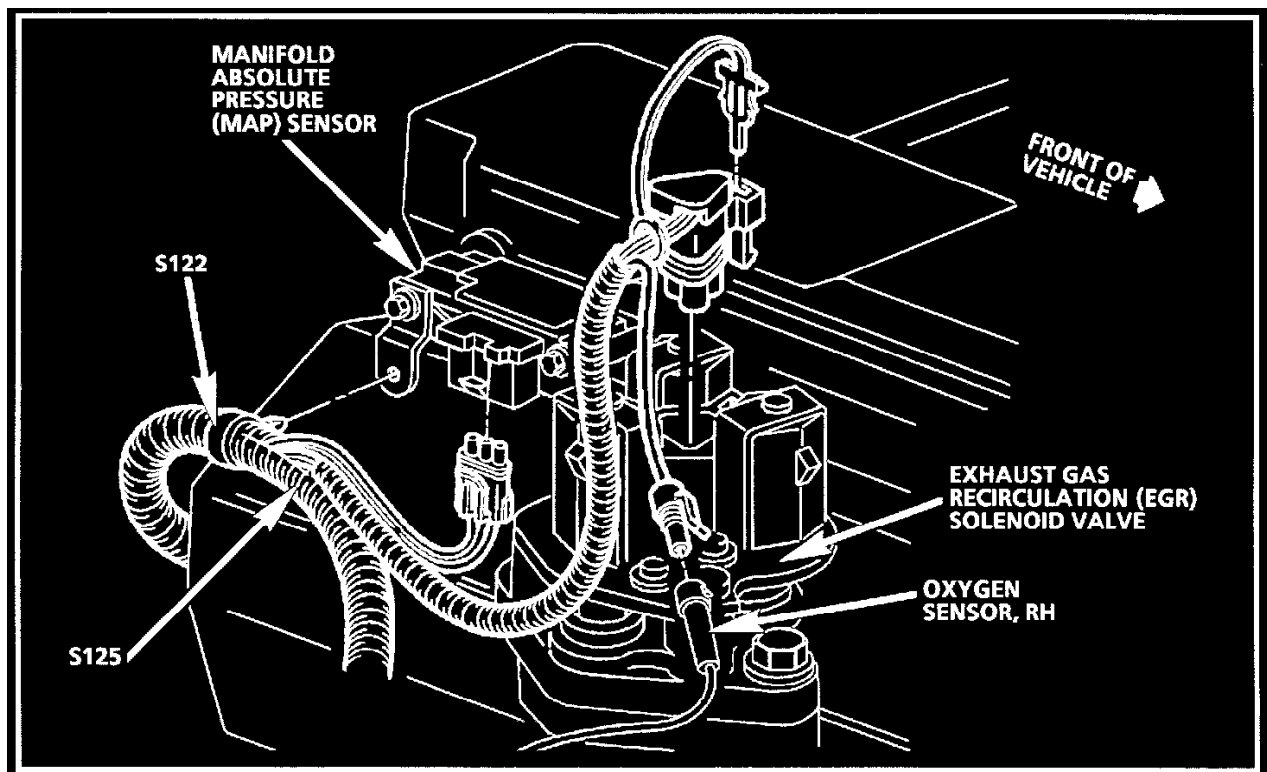
General Harness Routing View



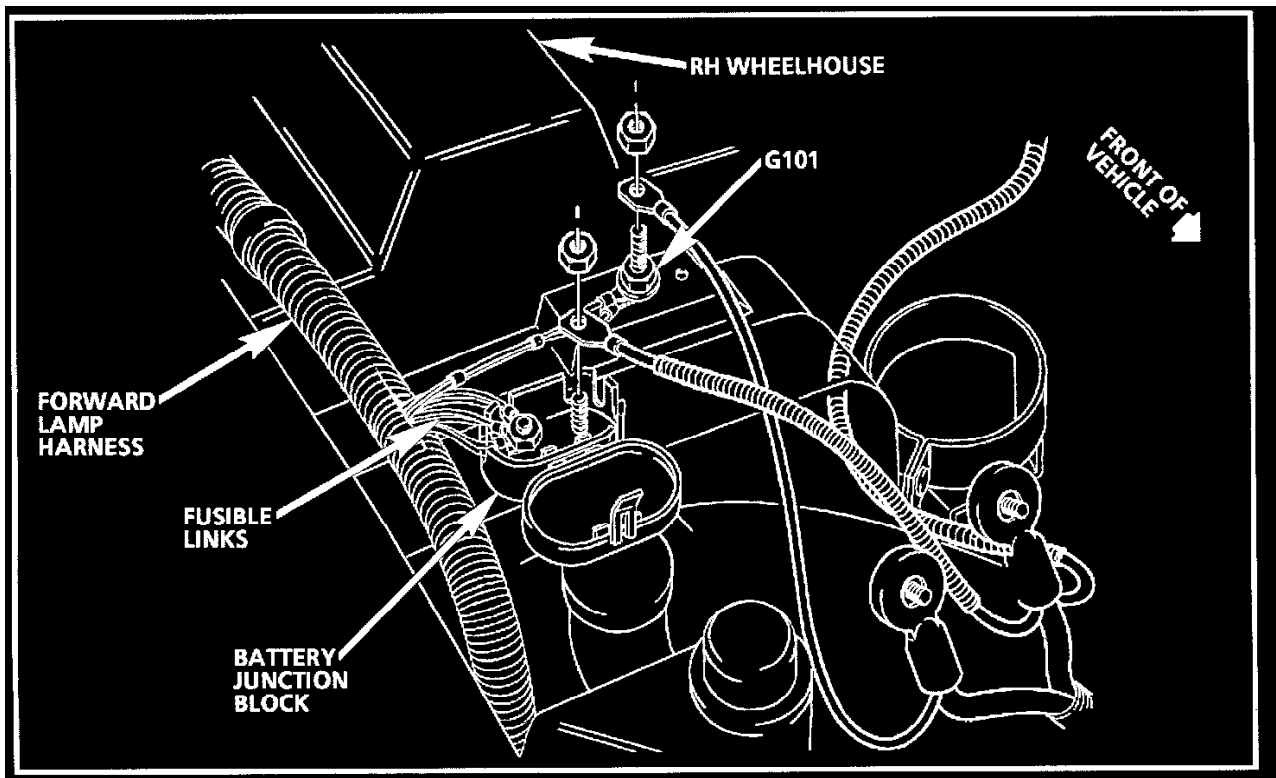
Top Front RH Side Of Engine (V6 VIN S)



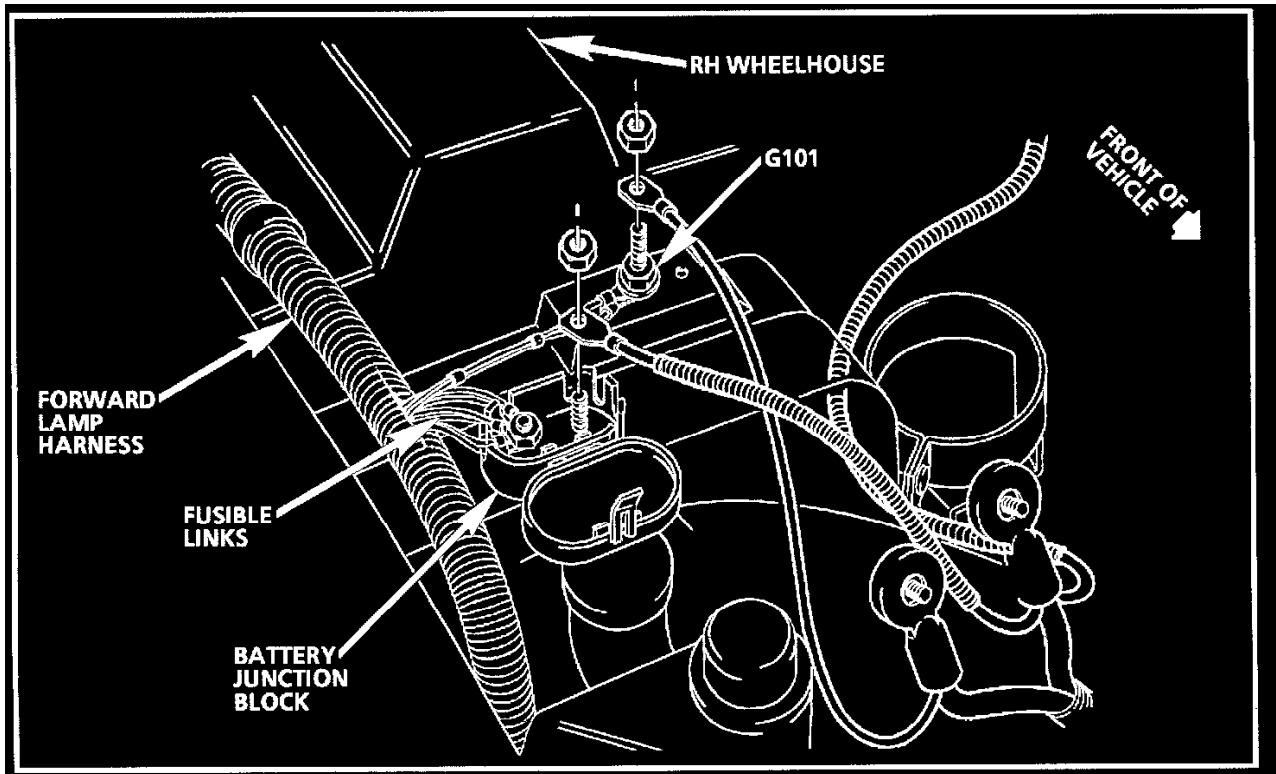
Behind RH Side Of I/P



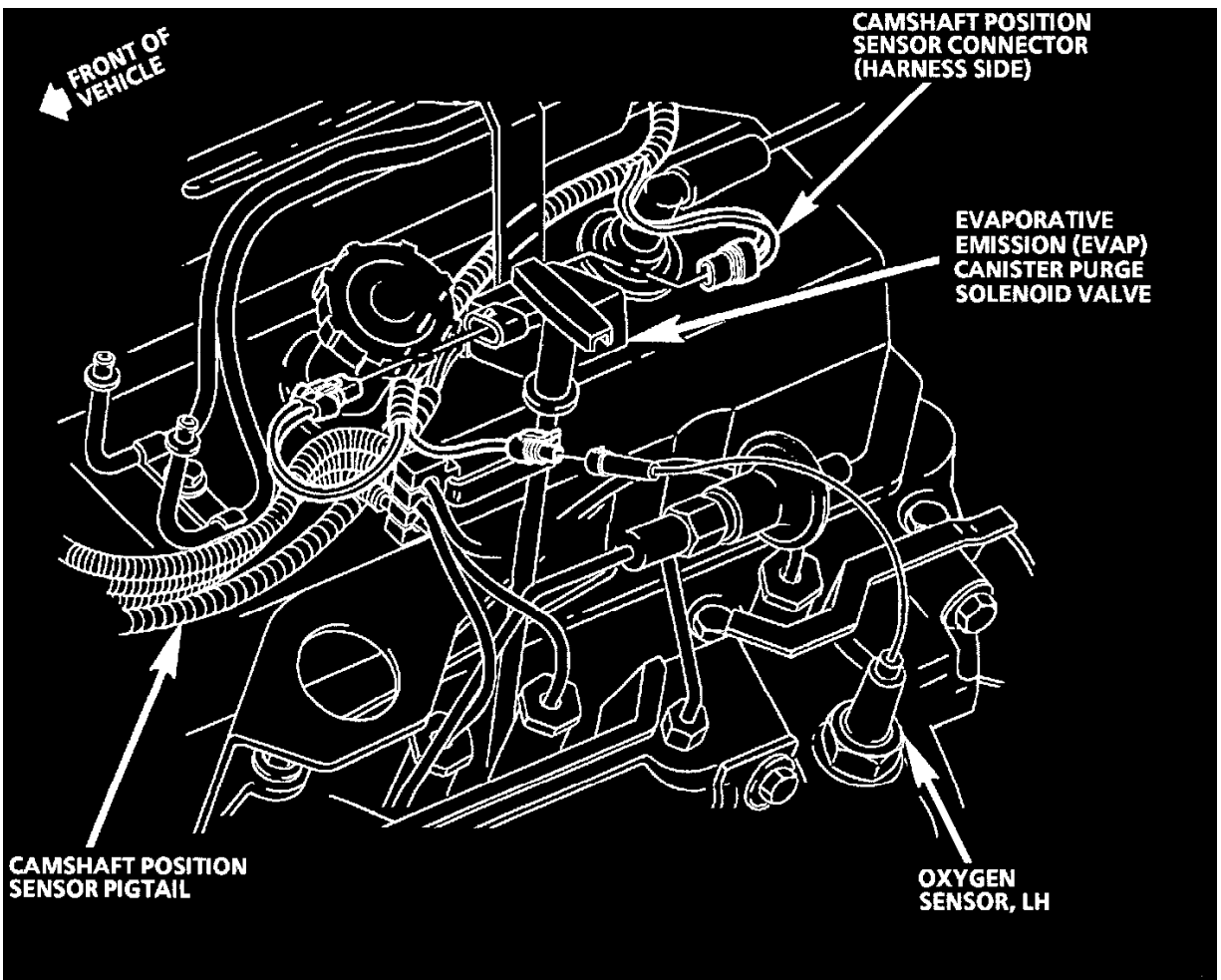
Top Rear RH Side Of Engine (V6 VIN S)



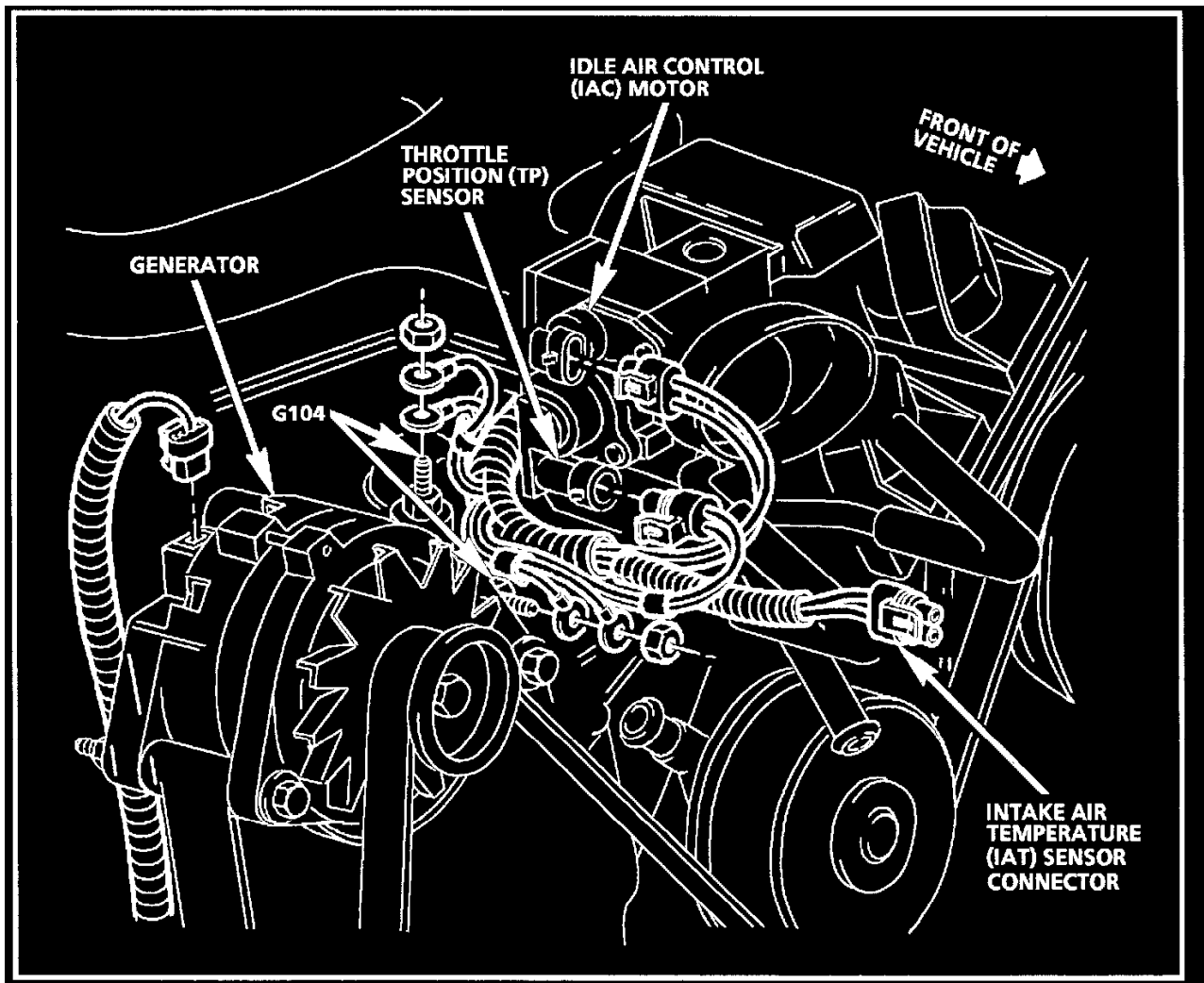
LH Wheelhouse



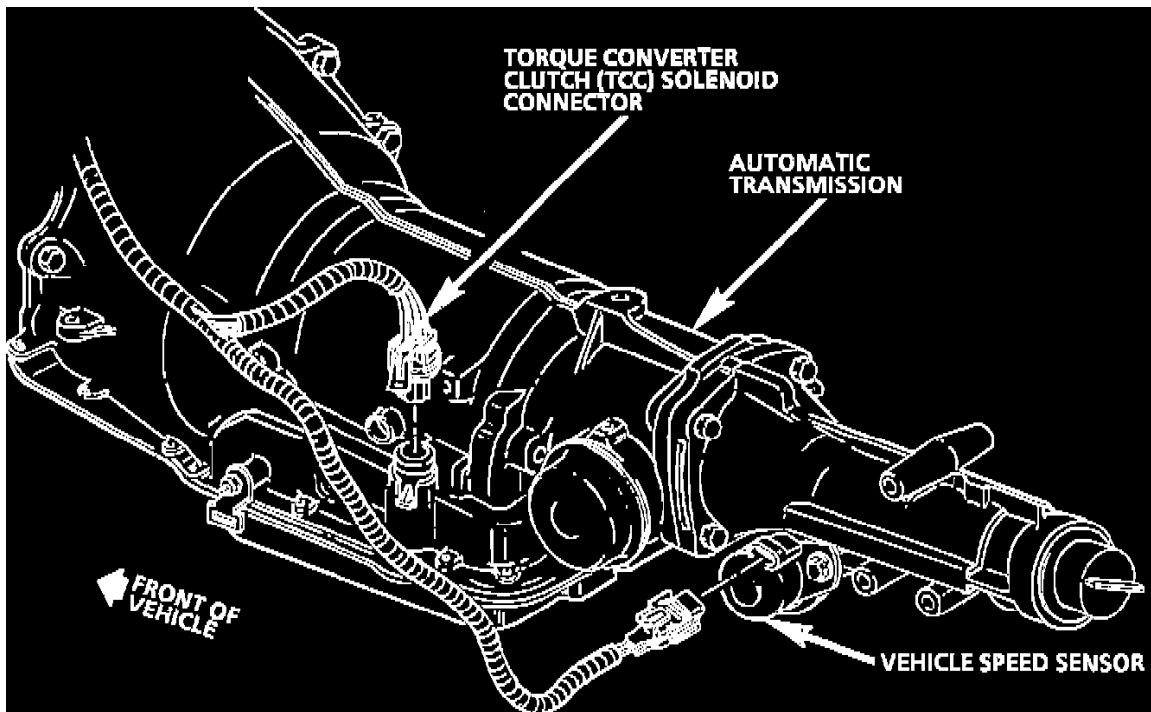
LH Wheelhouse



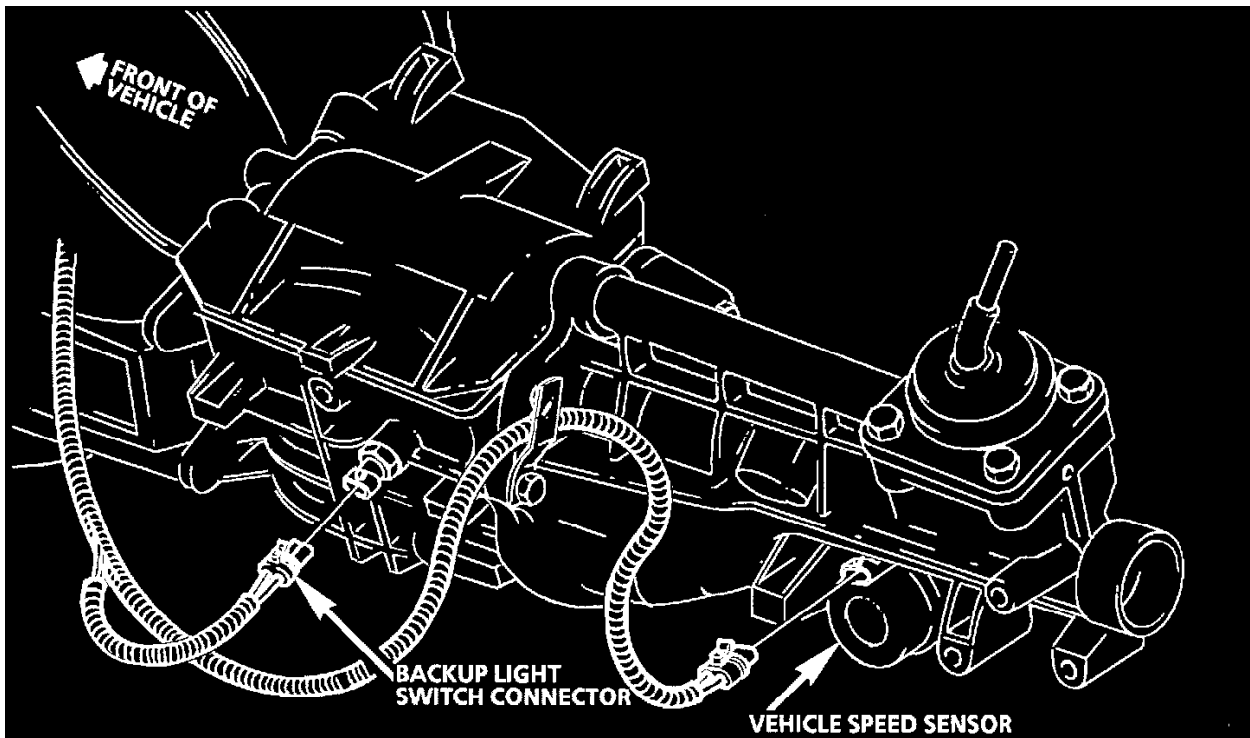
LH Side Of Engine (V6 VIN S)



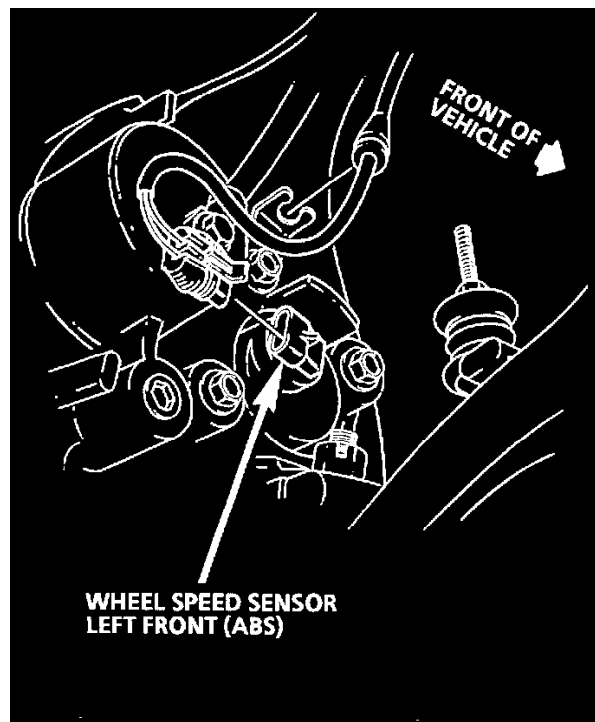
Top Front RH Side Of Engine (V6 VIN S)



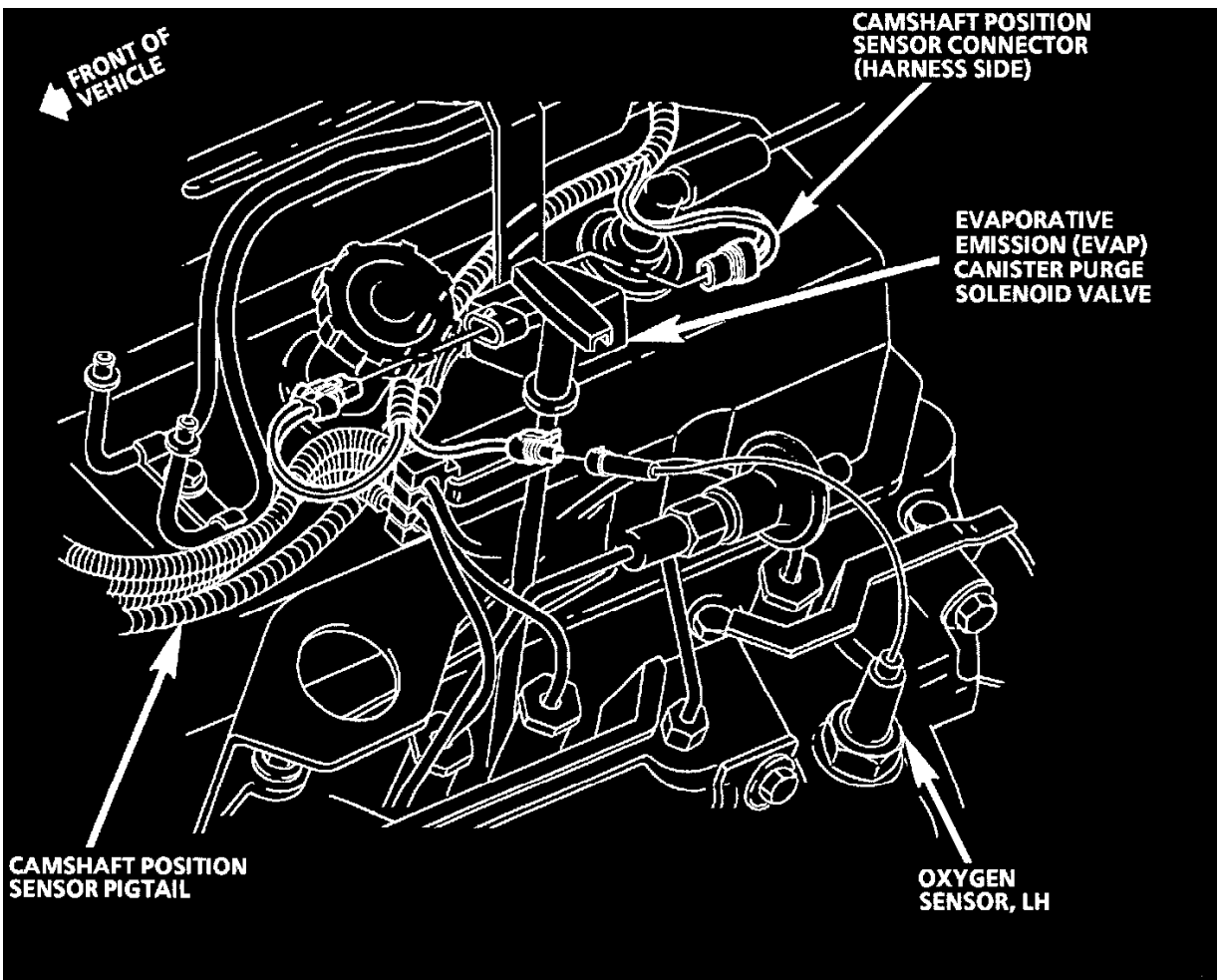
LH Side Of Automatic Transmission



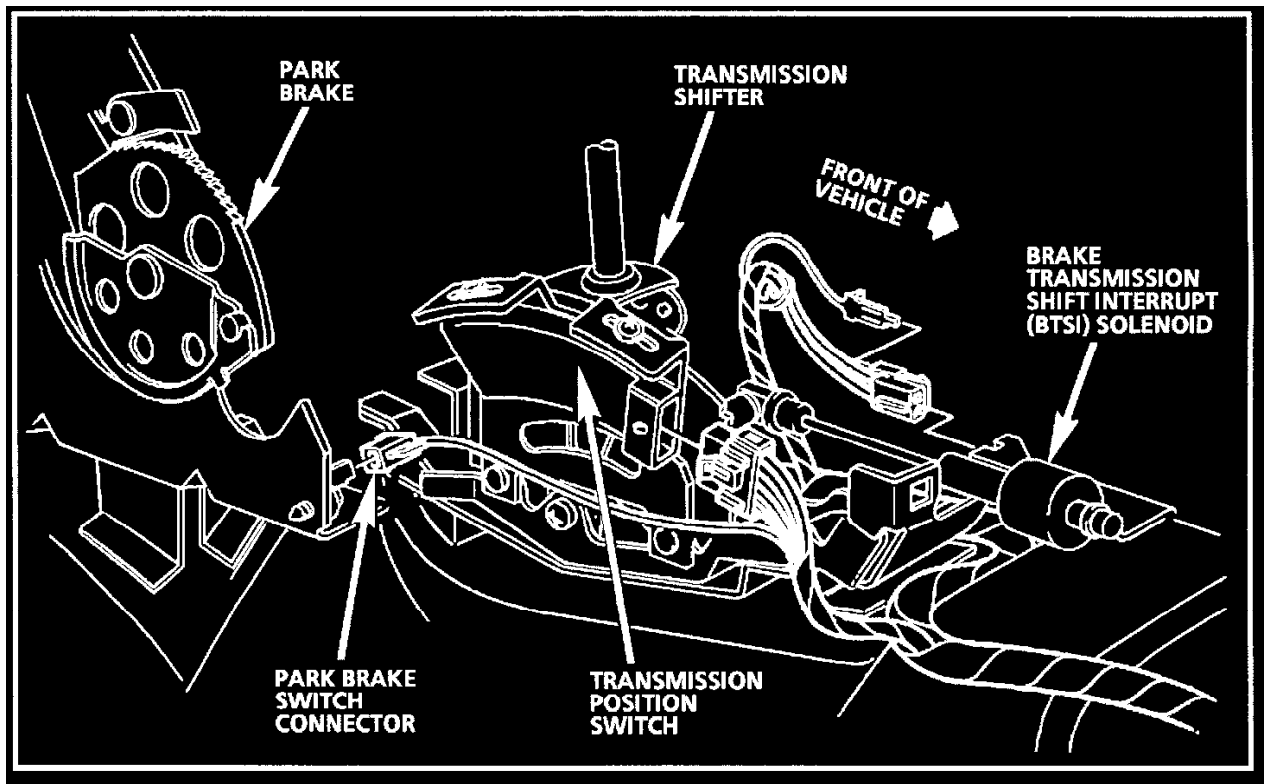
LH Side Of Manual Transmission (M49)(V6 VIN S)



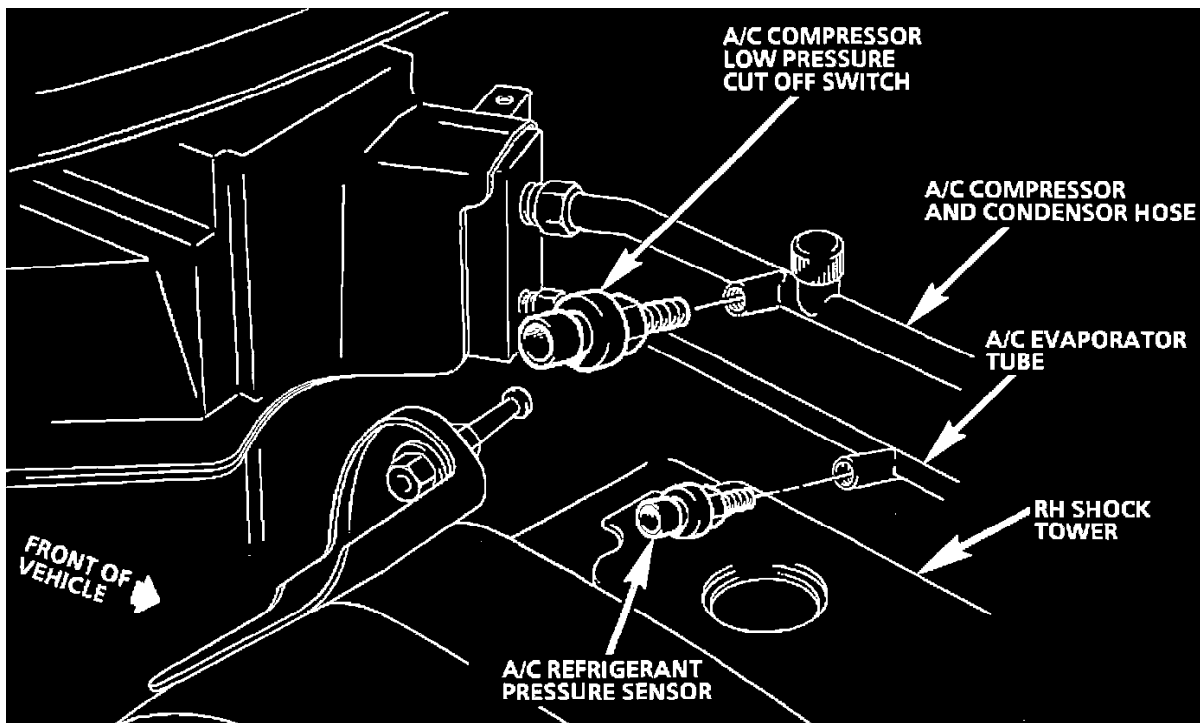
Inward Side Of Steering Knuckle (Right Side Similar)



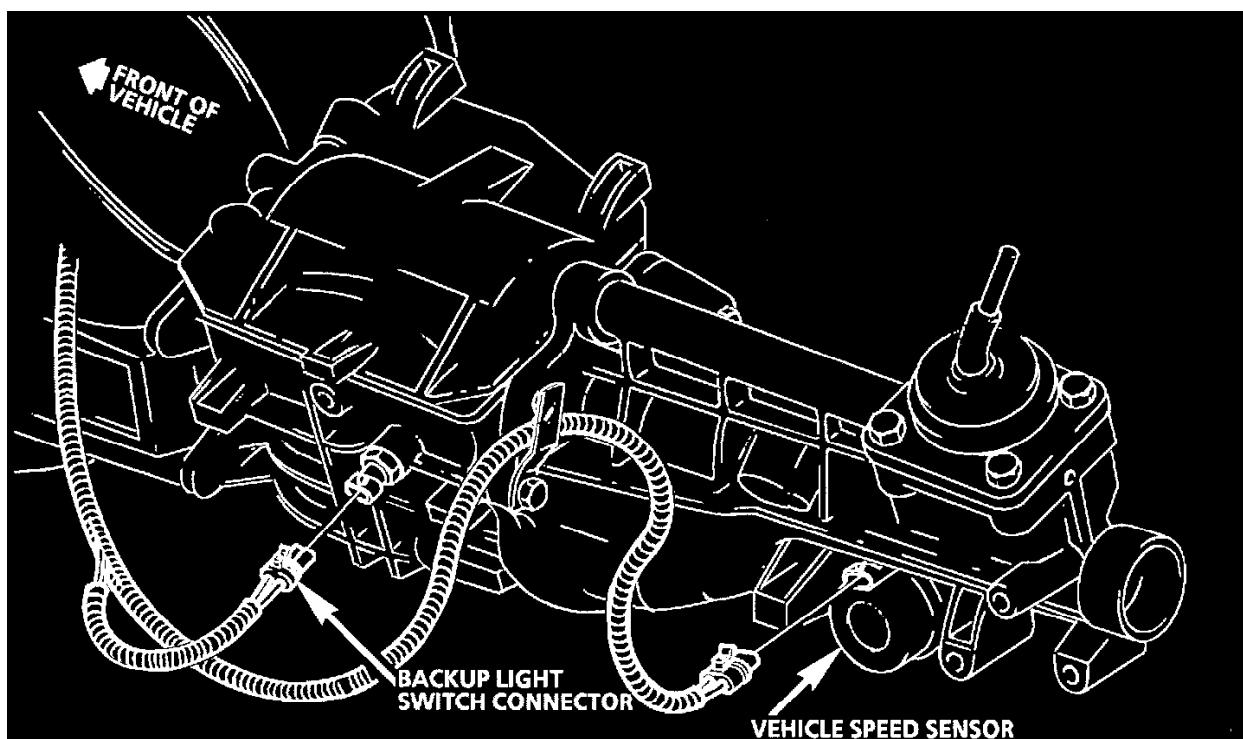
LH Side Of Engine (V6 VIN S)



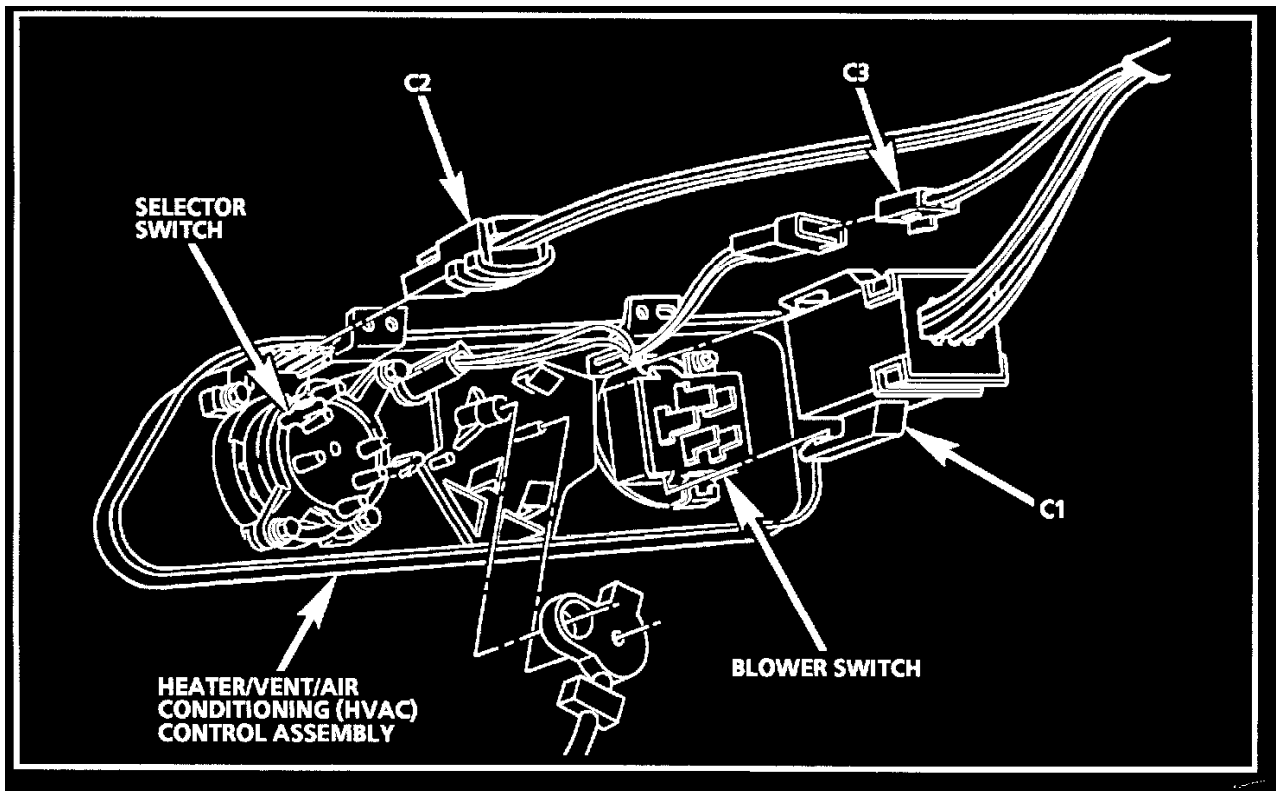
RH Side Under Console-Automatic (MD8)



Rearward Of RH Shock Tower

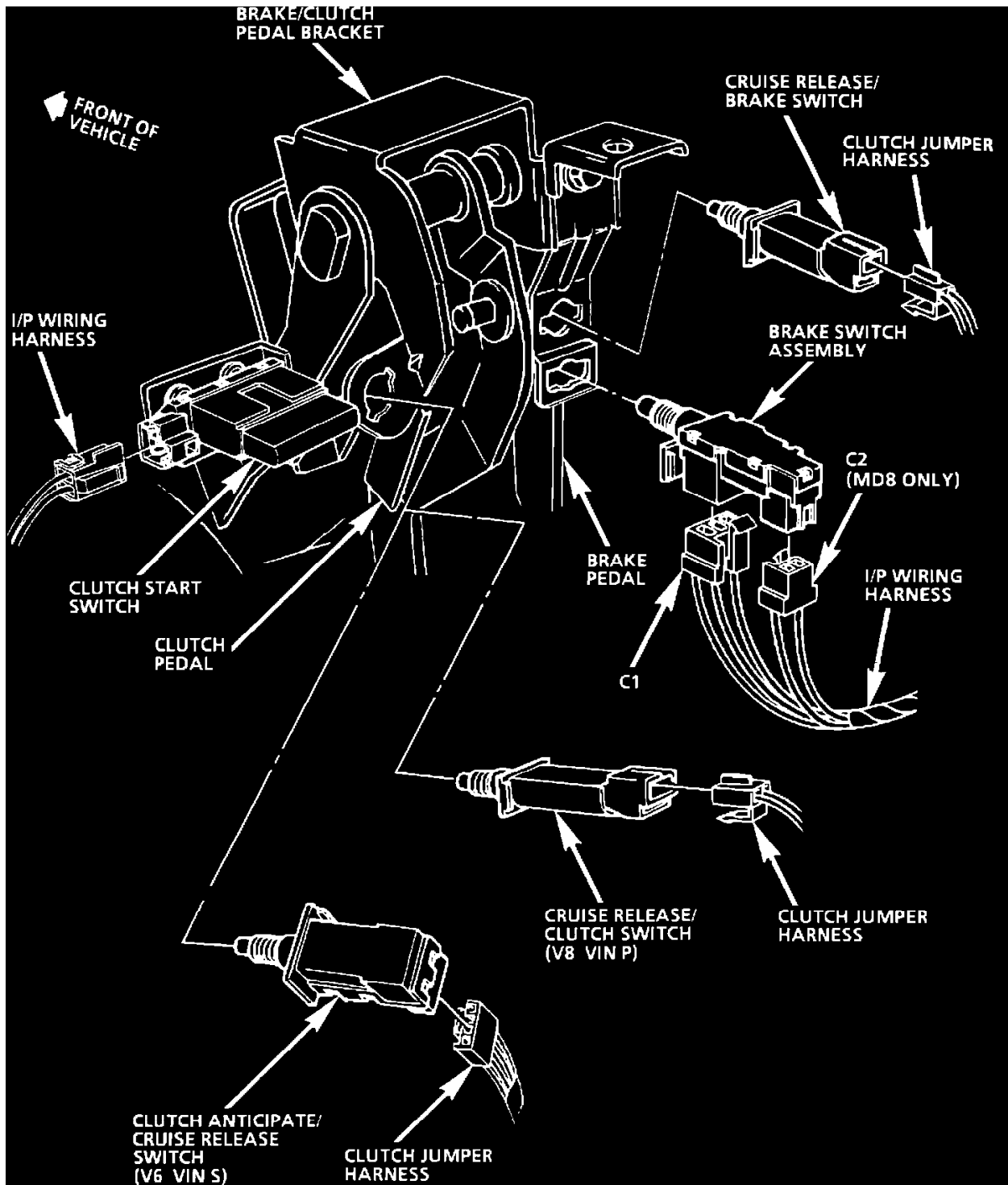


LH Side Of Manual Transmission (M49)(V6 VIN S)



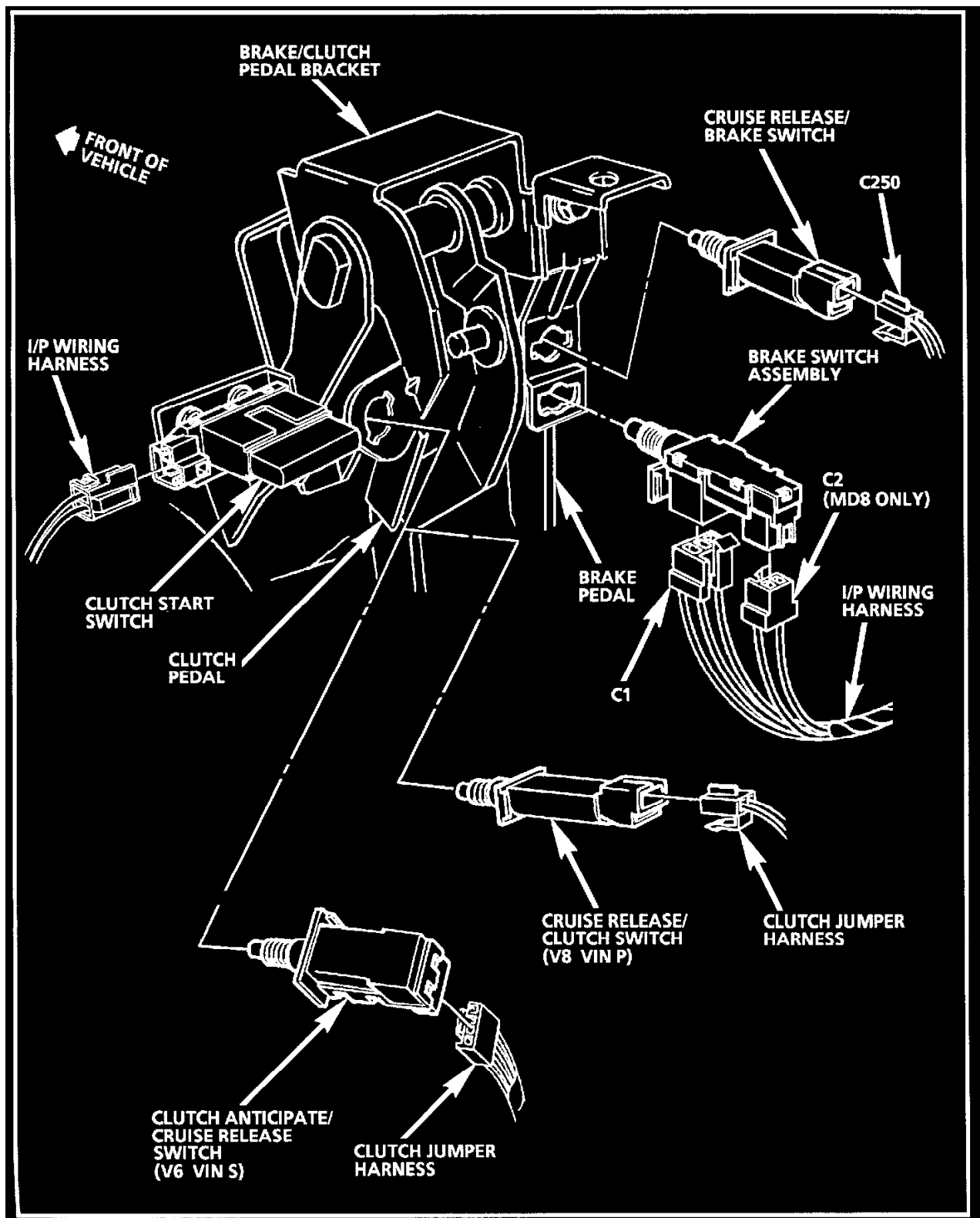
Center Of Instrument Panel

Brake Switch

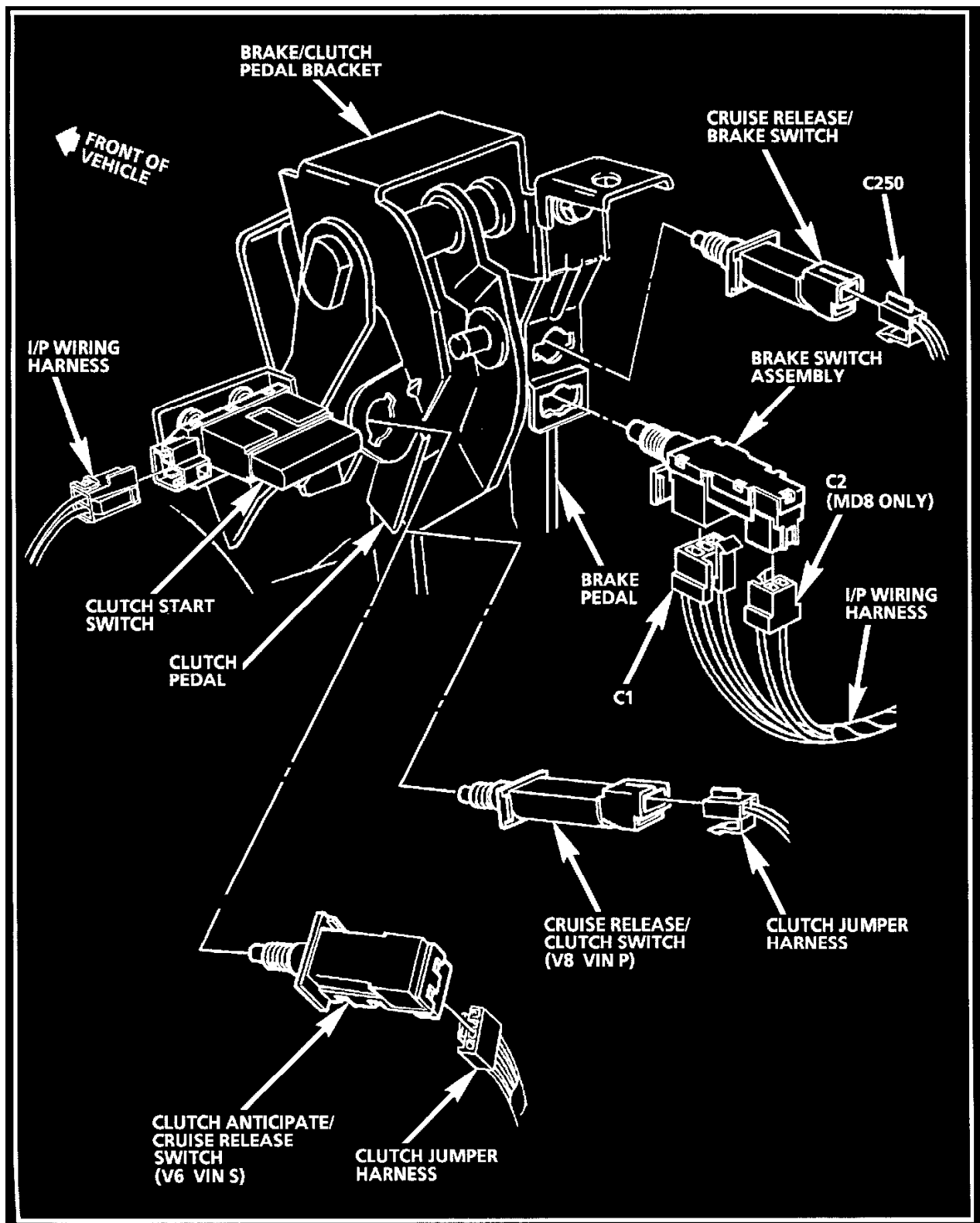


Under LH Side Of Instrument Panel

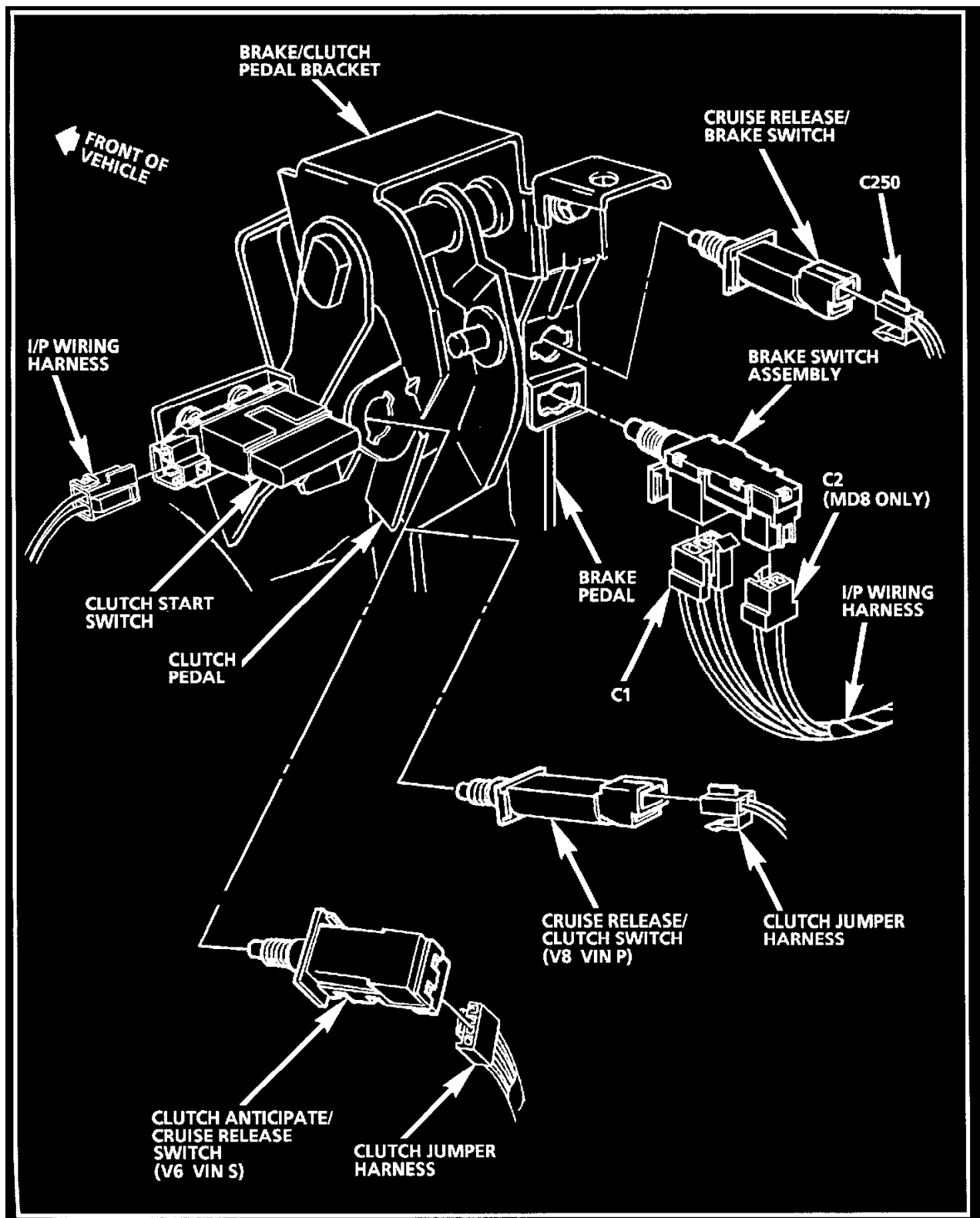
The brake switch is mounted on the brake pedal assembly near the brake pedal.



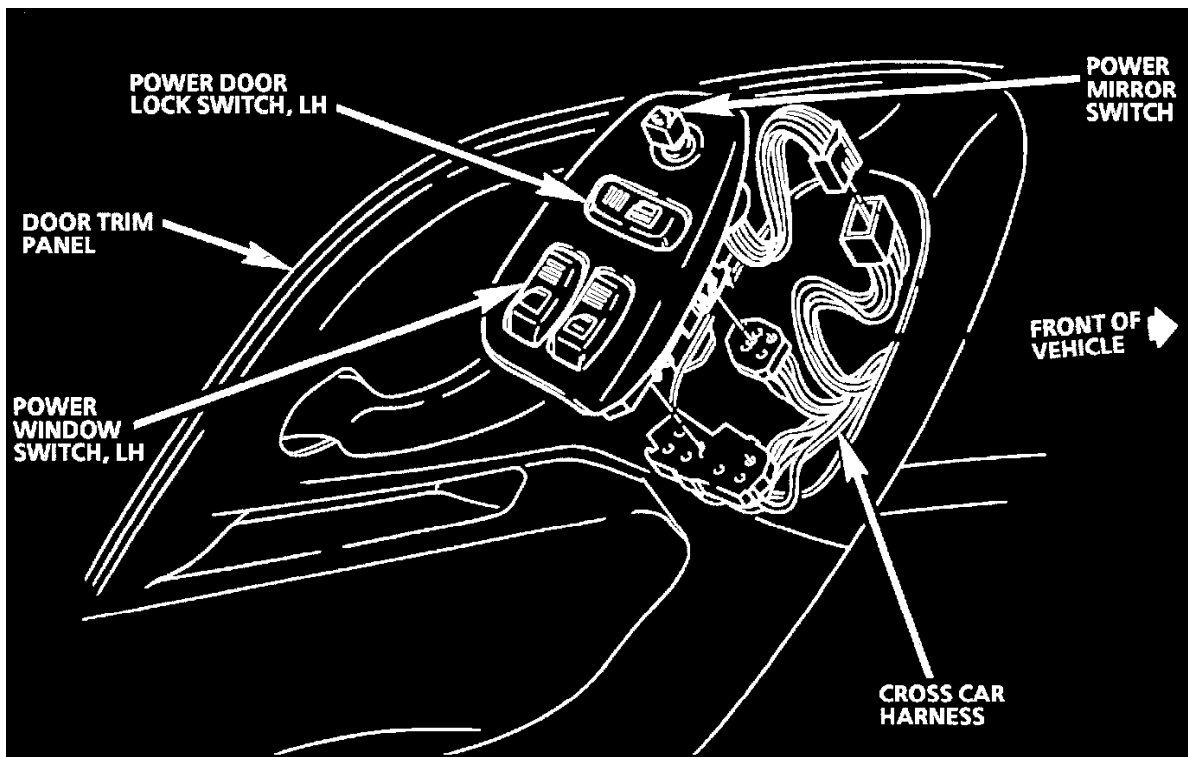
Under LH Side Of I/P



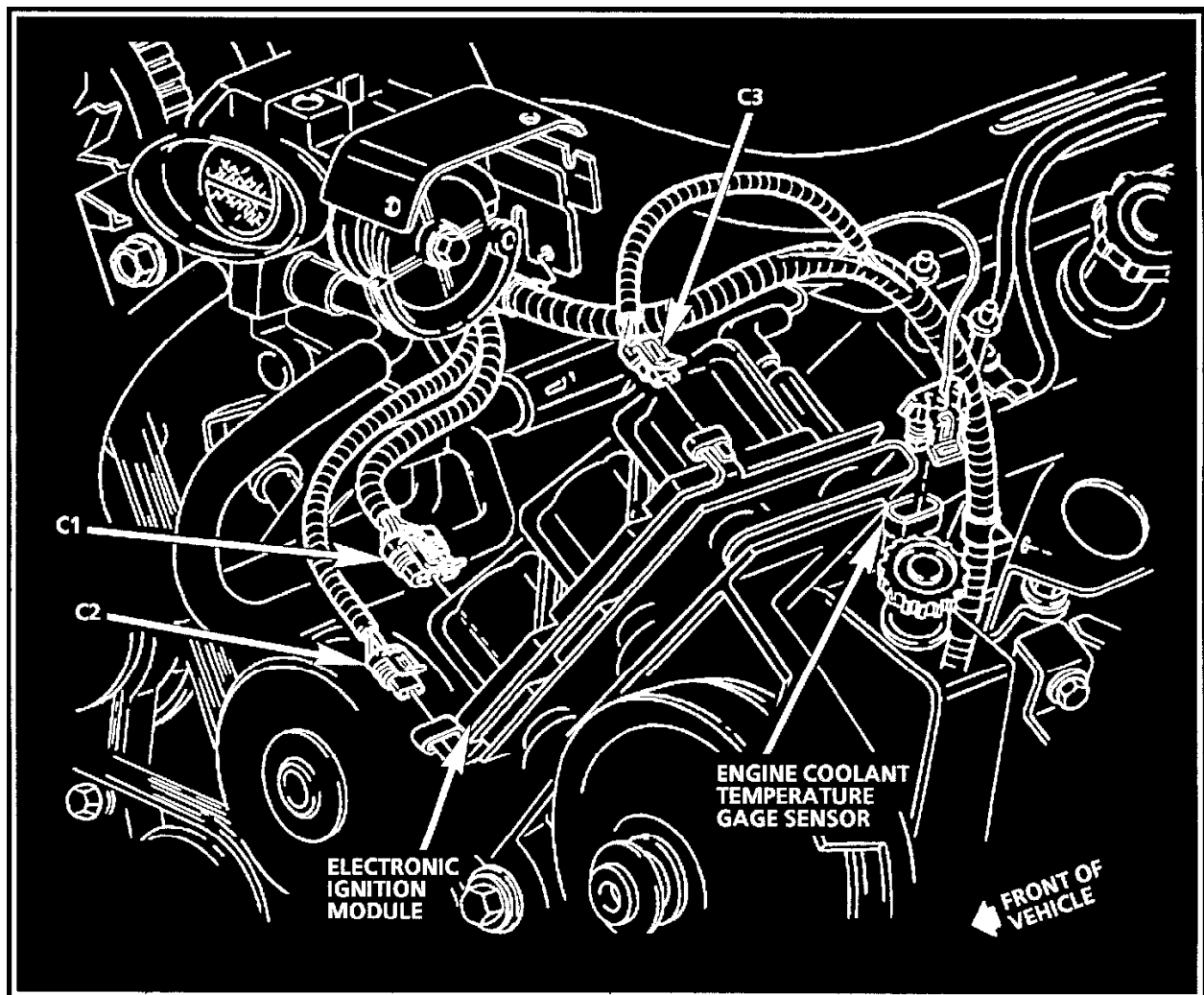
Under LH Side Of I/P



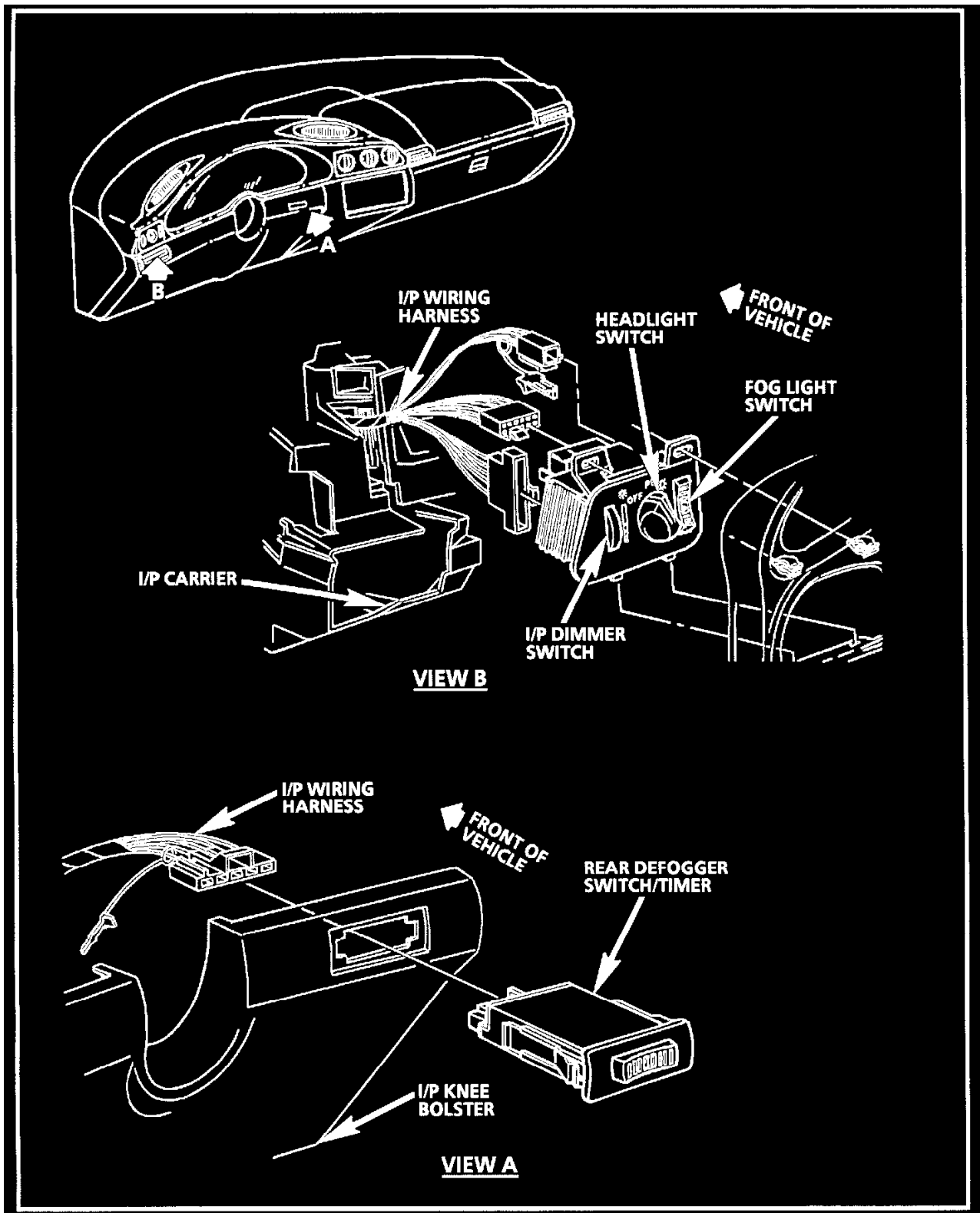
Under LH Side Of I/P



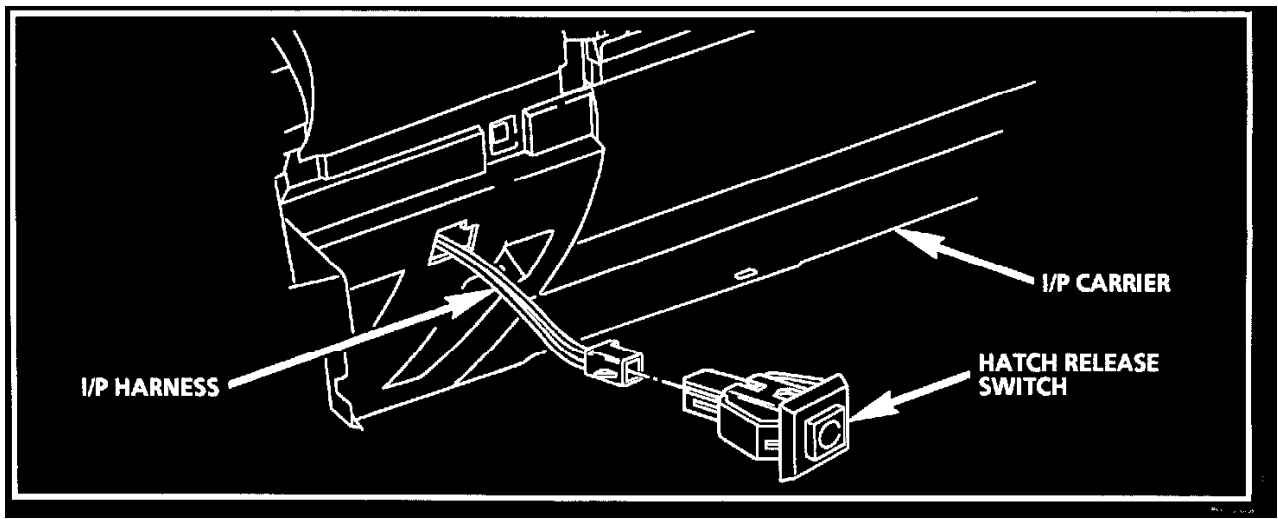
LH Door Armrest



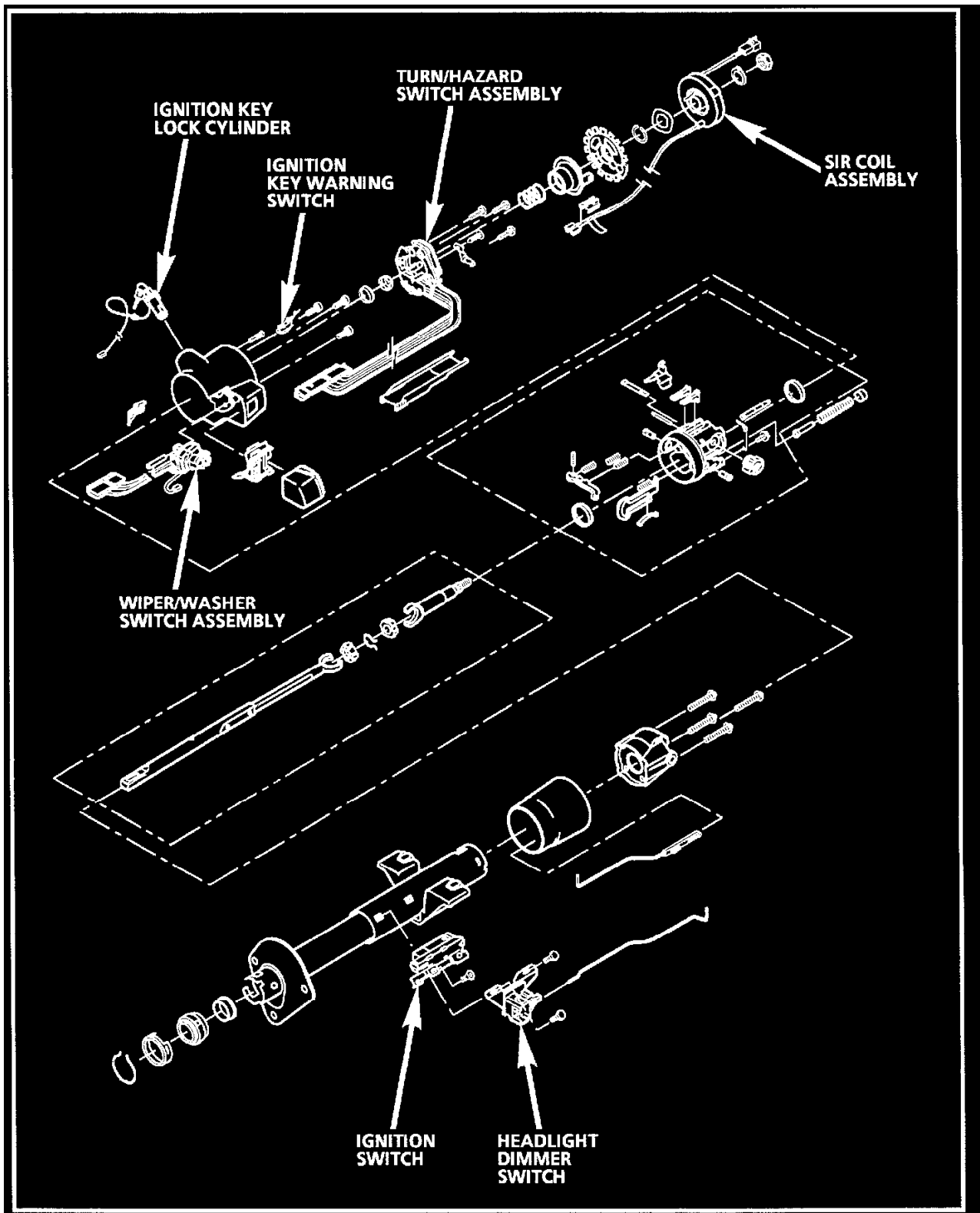
Top Front LH Side Of Engine (V6 VIN S)



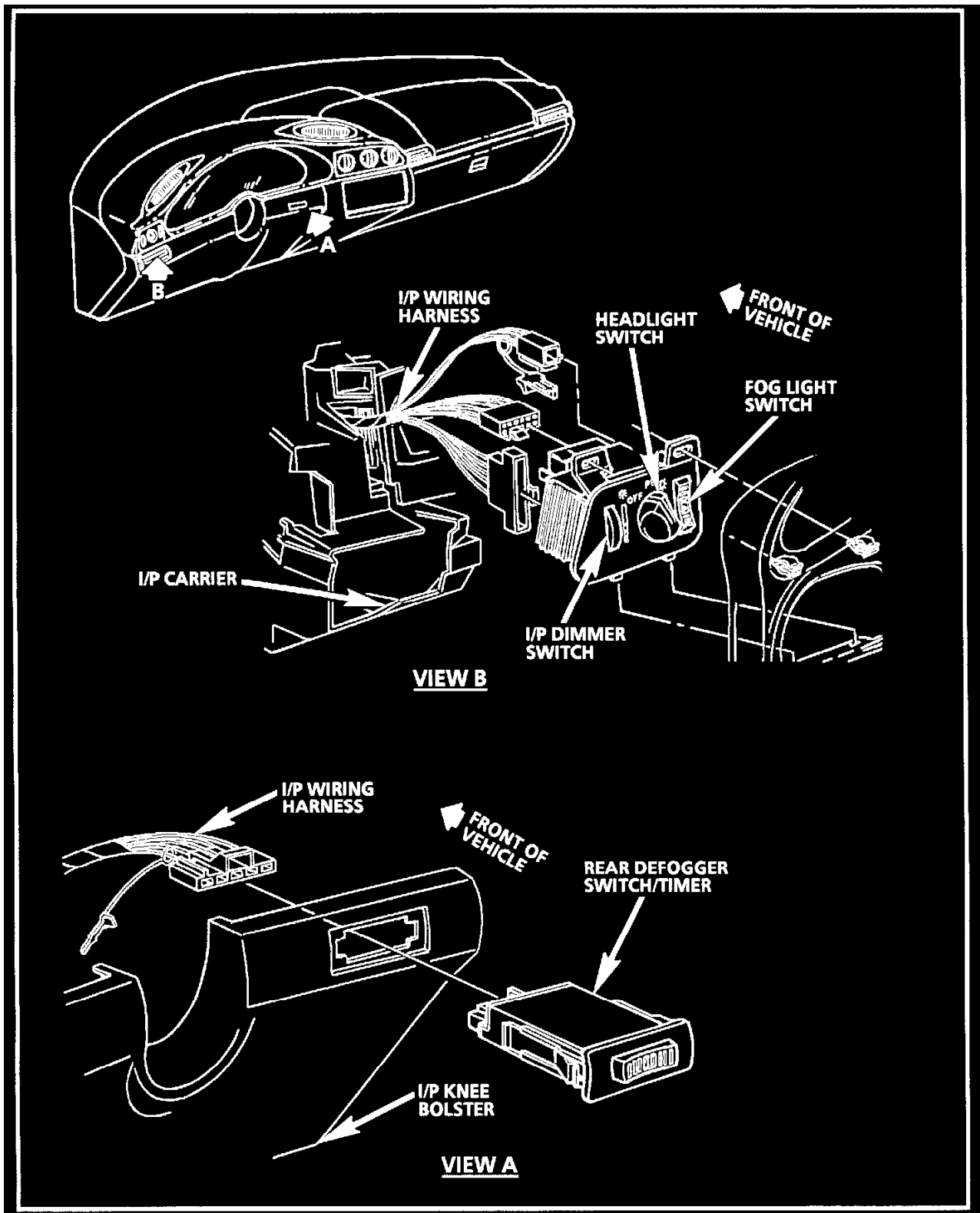
LH Side Of I/P



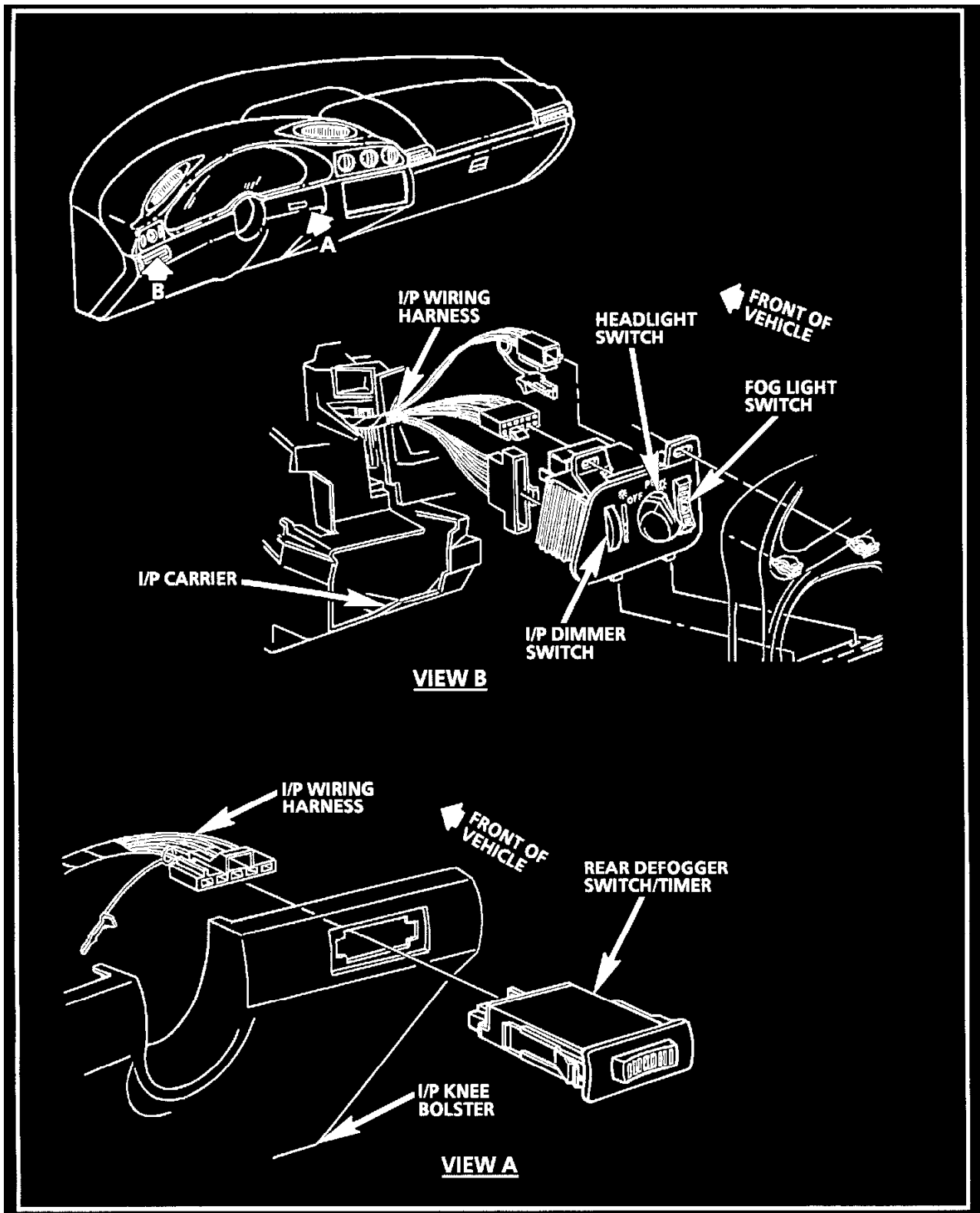
Behind I/P Compartment Door



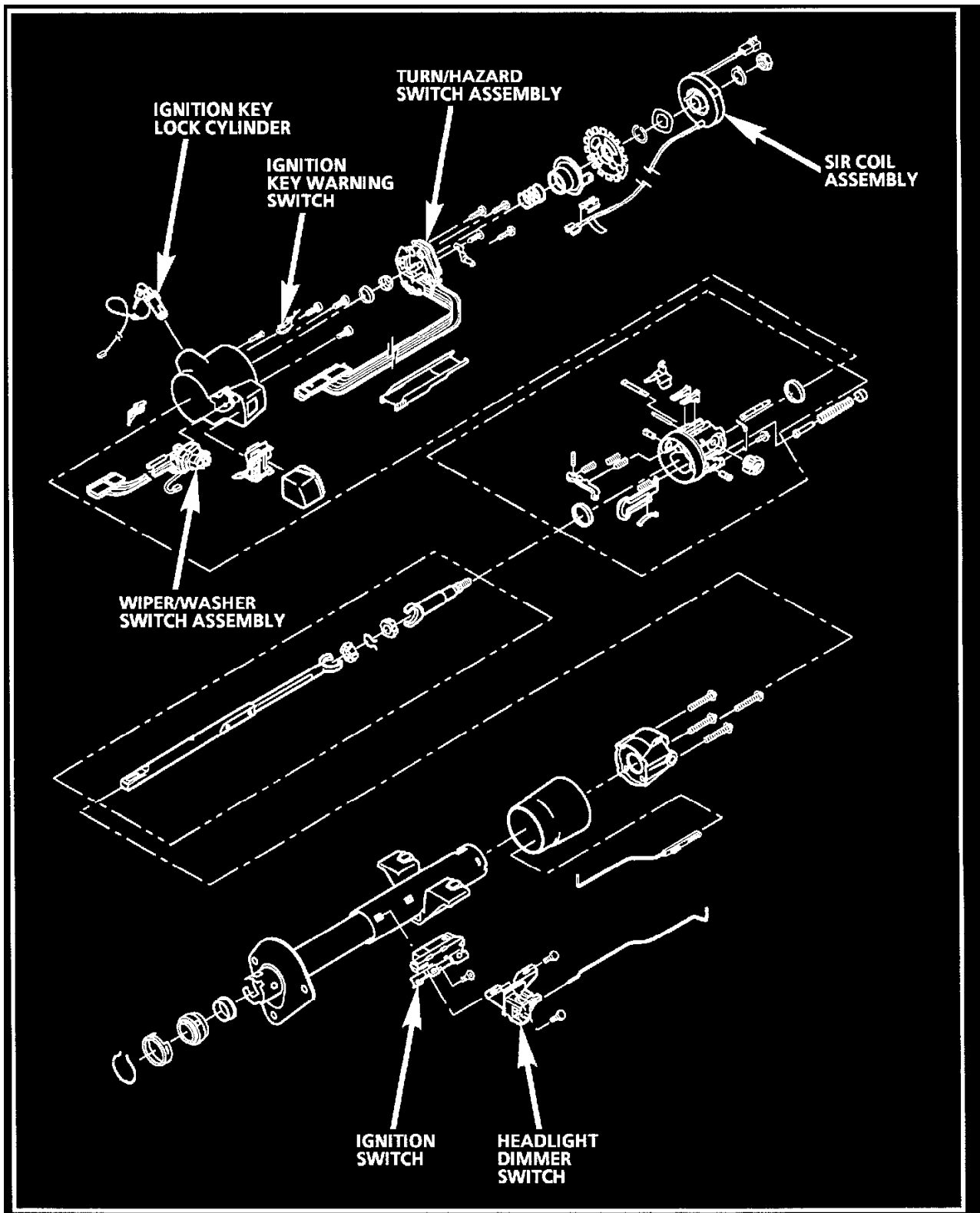
Steering Column Internals



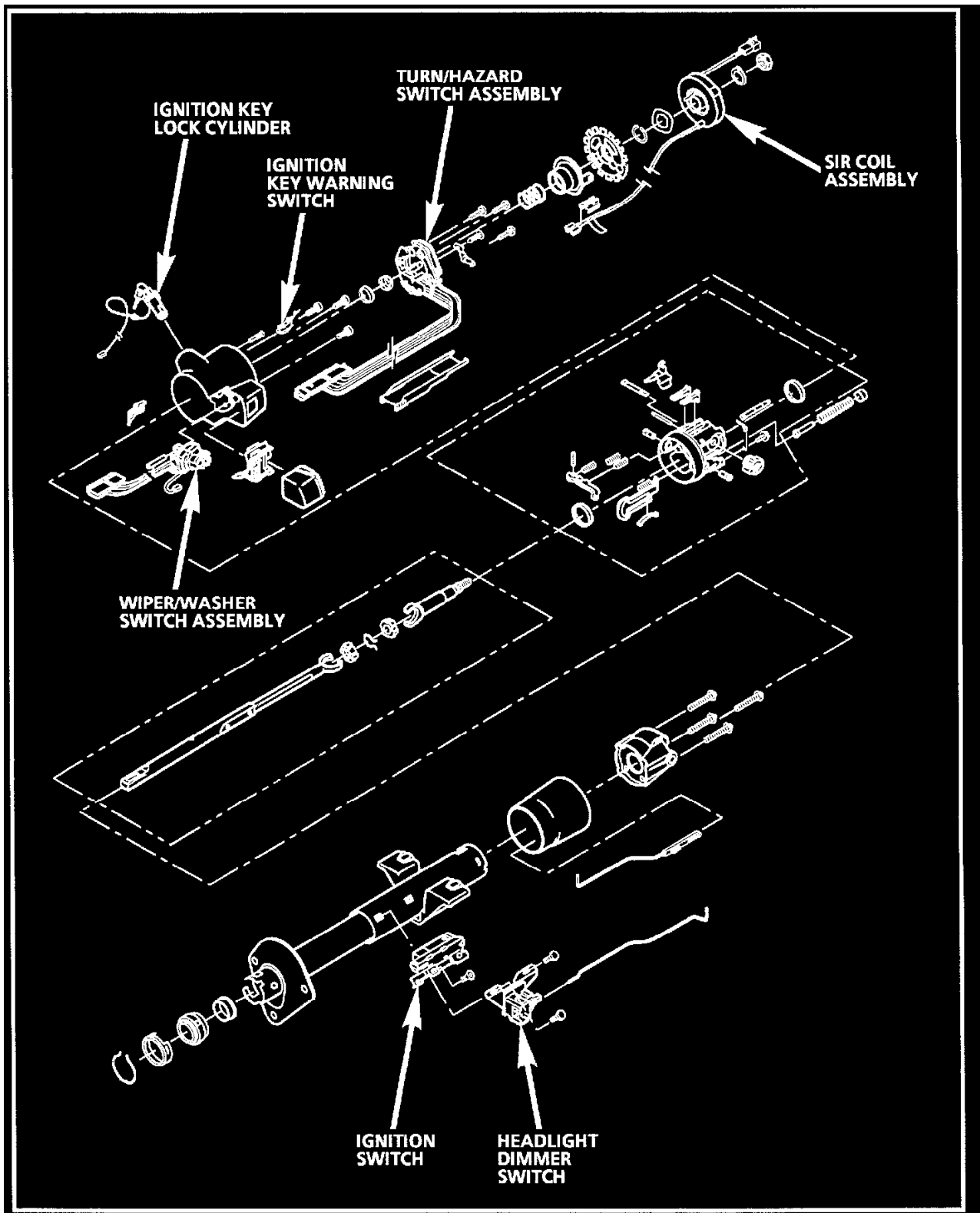
LH Side Of I/P



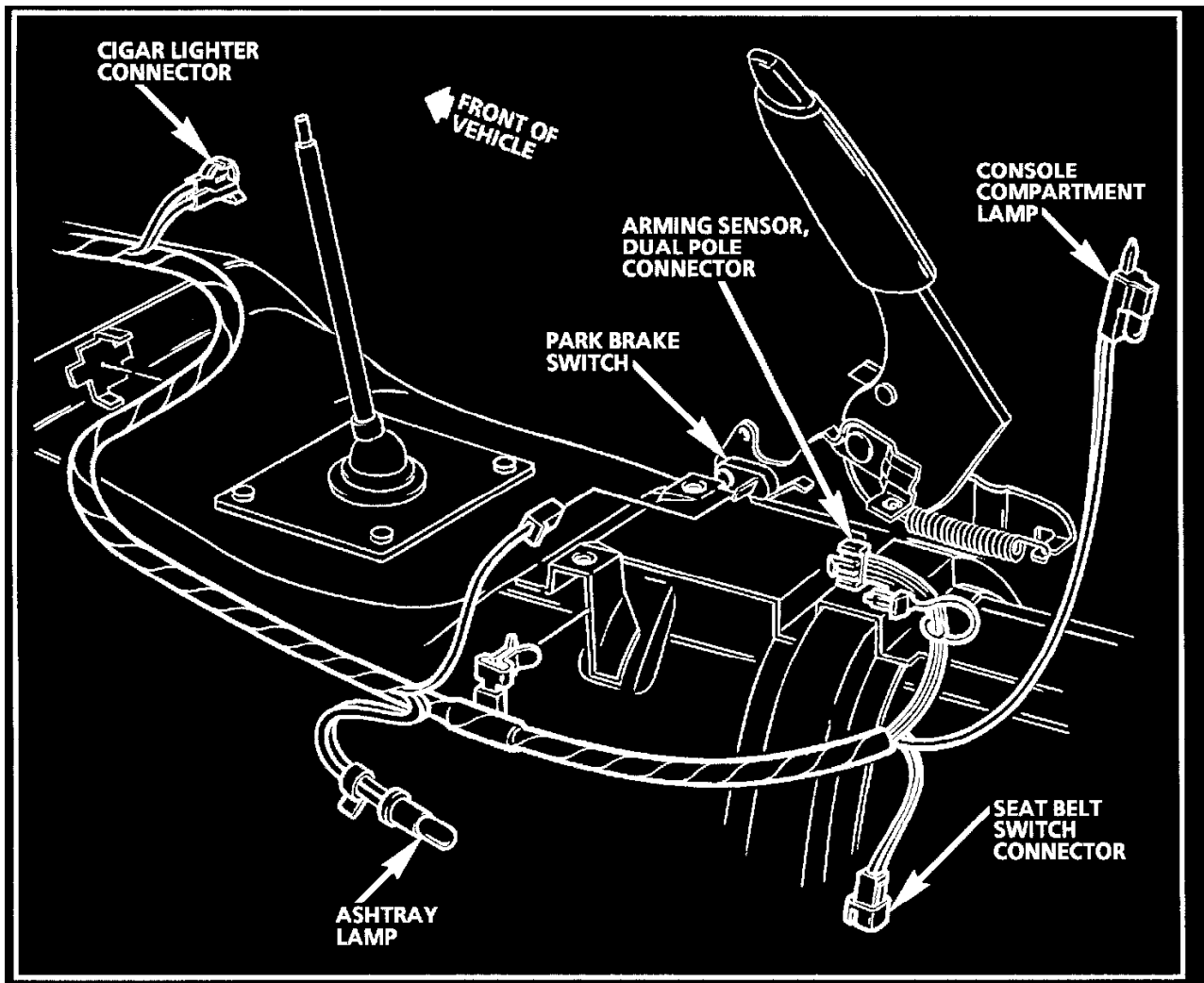
LH Side Of I/P



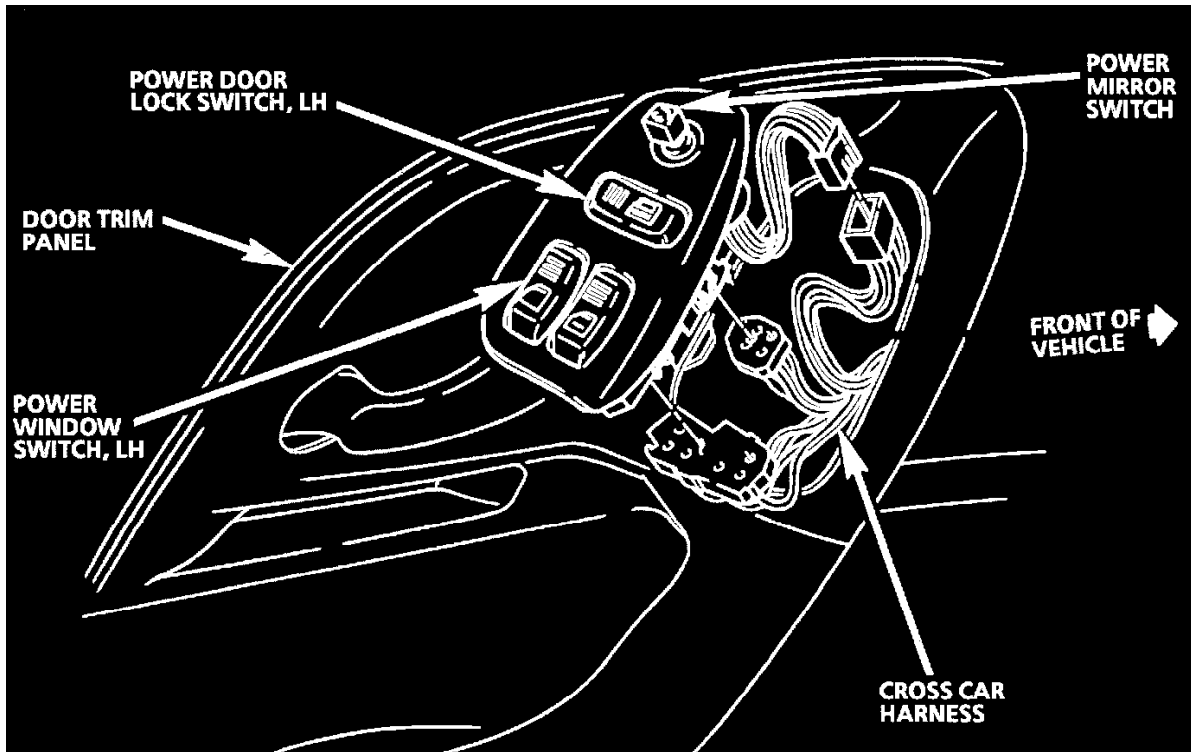
Steering Column Internals



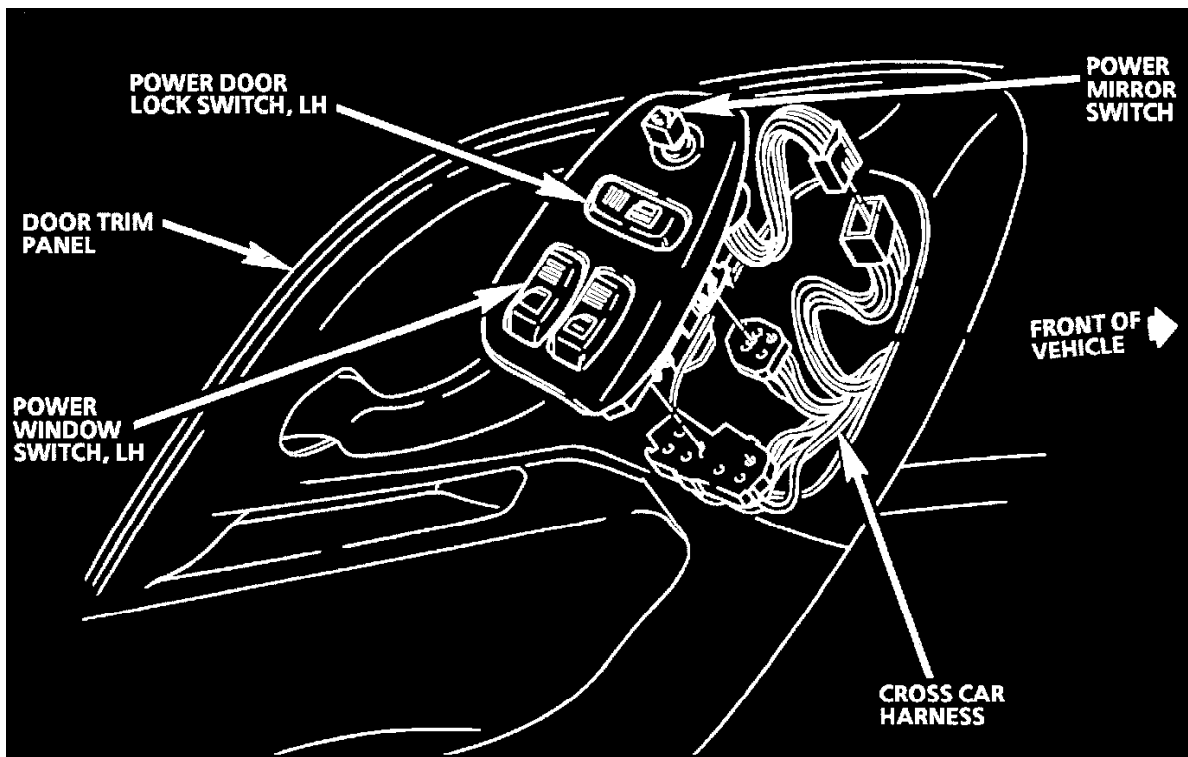
Steering Column Internals



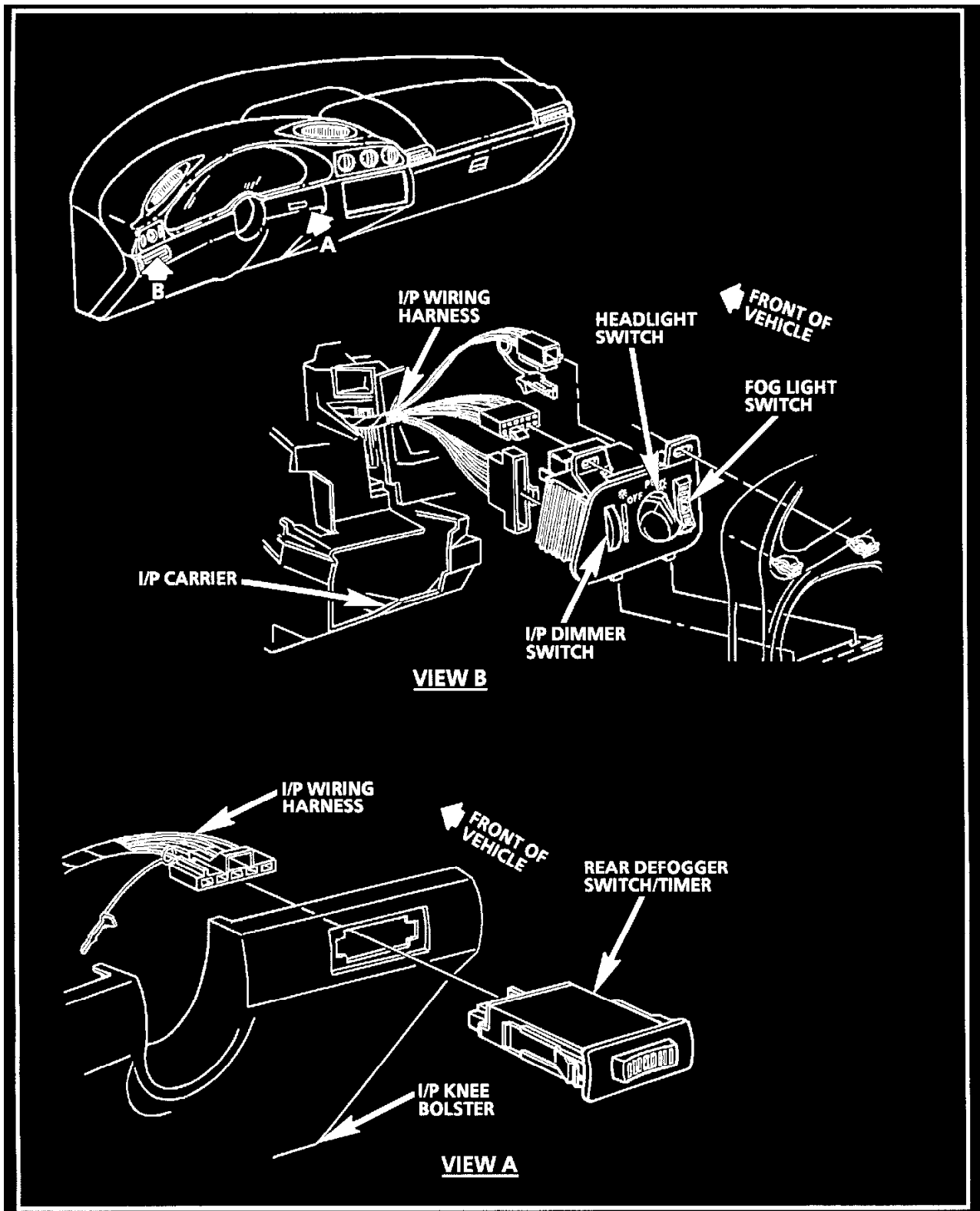
LH Side, Under Console-Manual (M49 Or MN6)



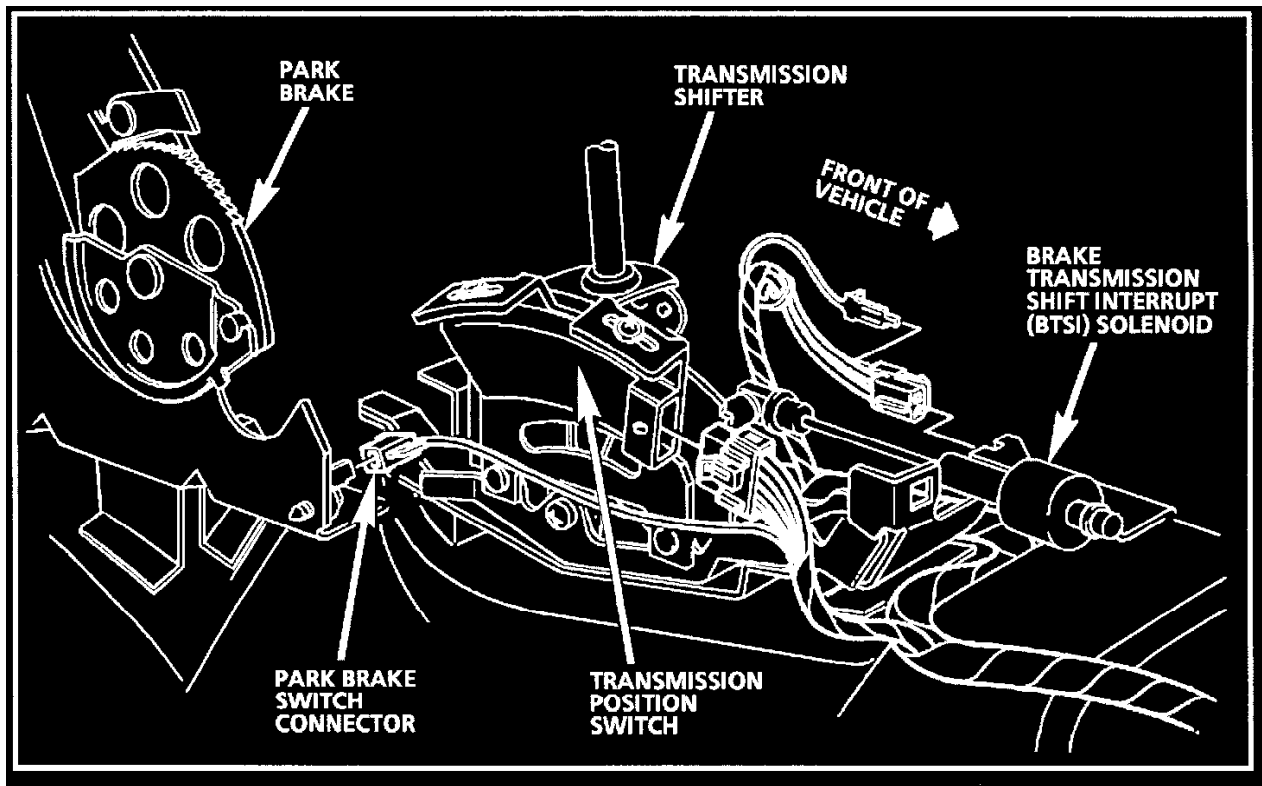
LH Door Armrest



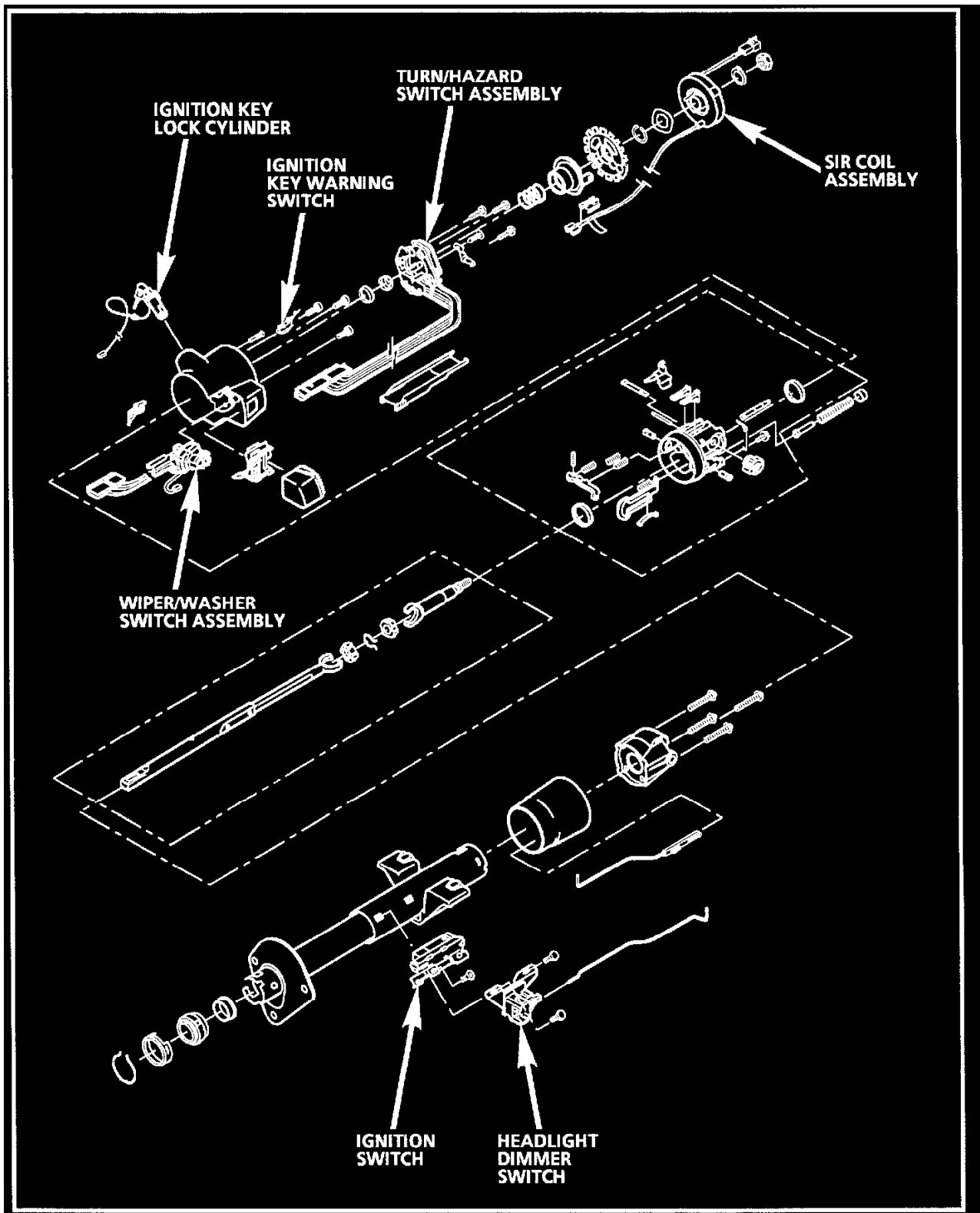
LH Door Armrest



LH Side Of I/P

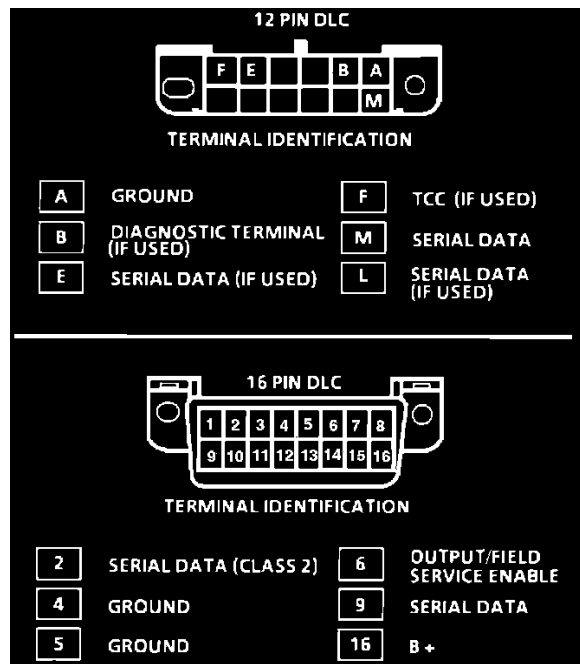


RH Side Under Console-Automatic (MD8)



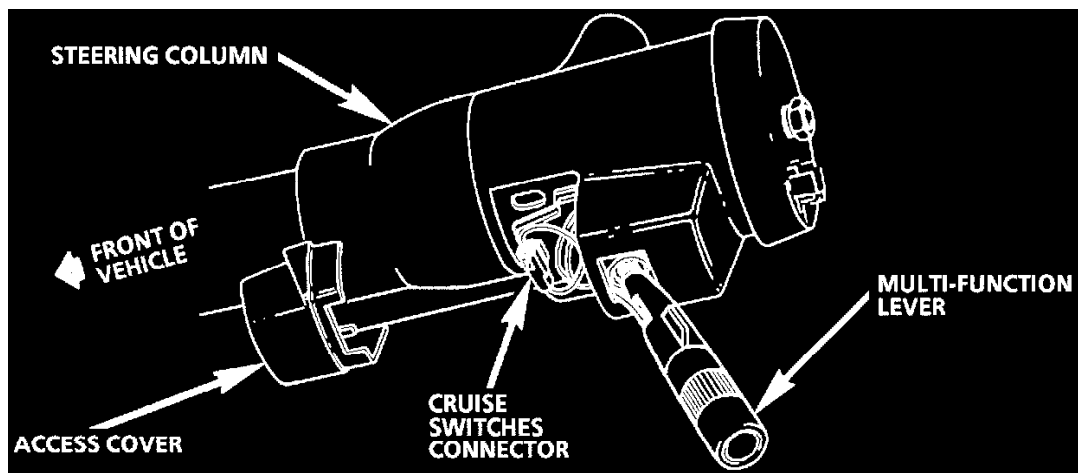
Steering Column Internals

Assembly Line Diagnostic Link (ALDL or DLC)

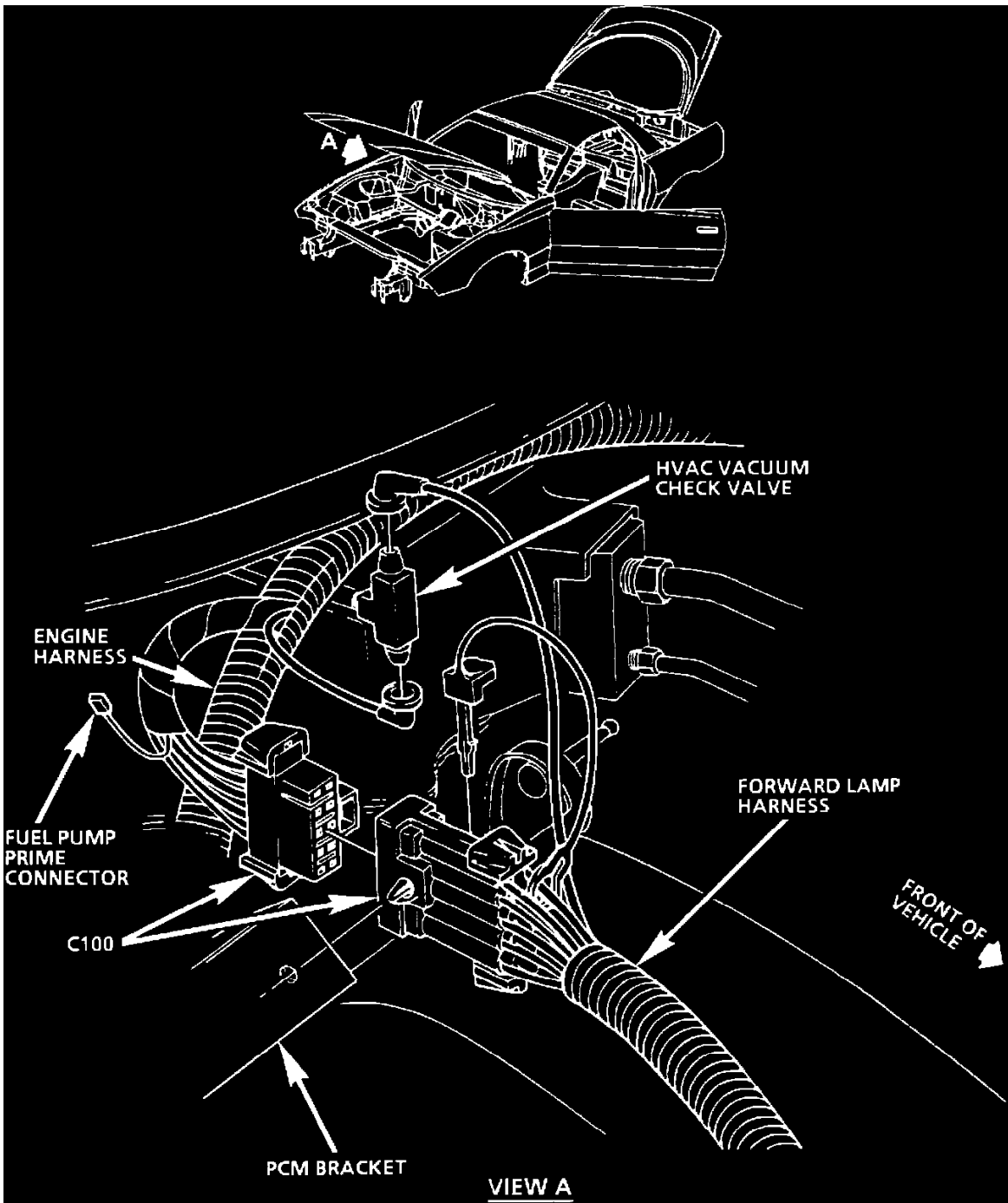


Data Link Connectors (DLC)

The Data Link Connector (DLC) is located under I/P, right of steering column.

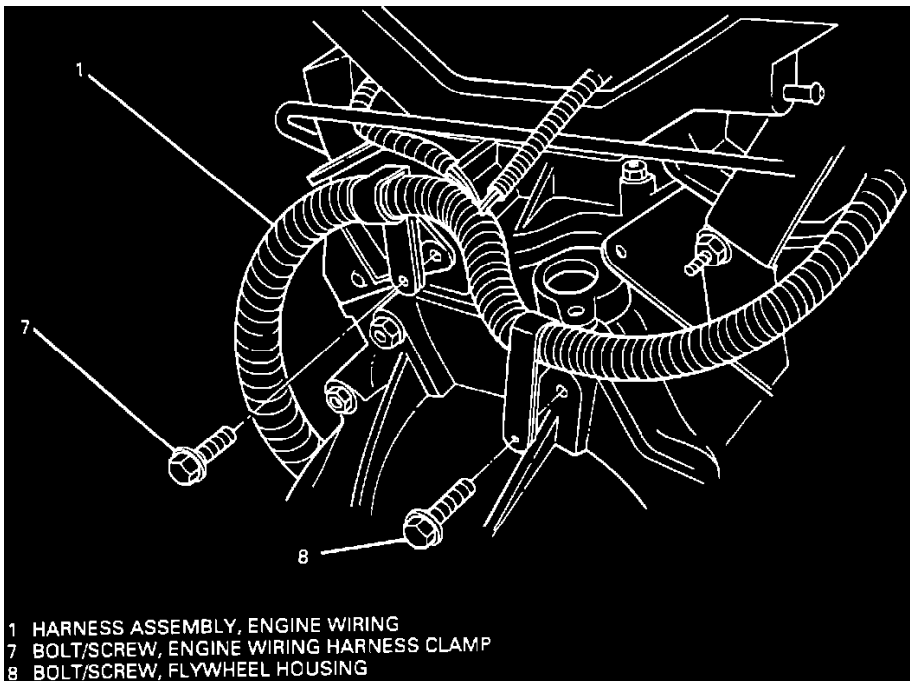


Steering Column

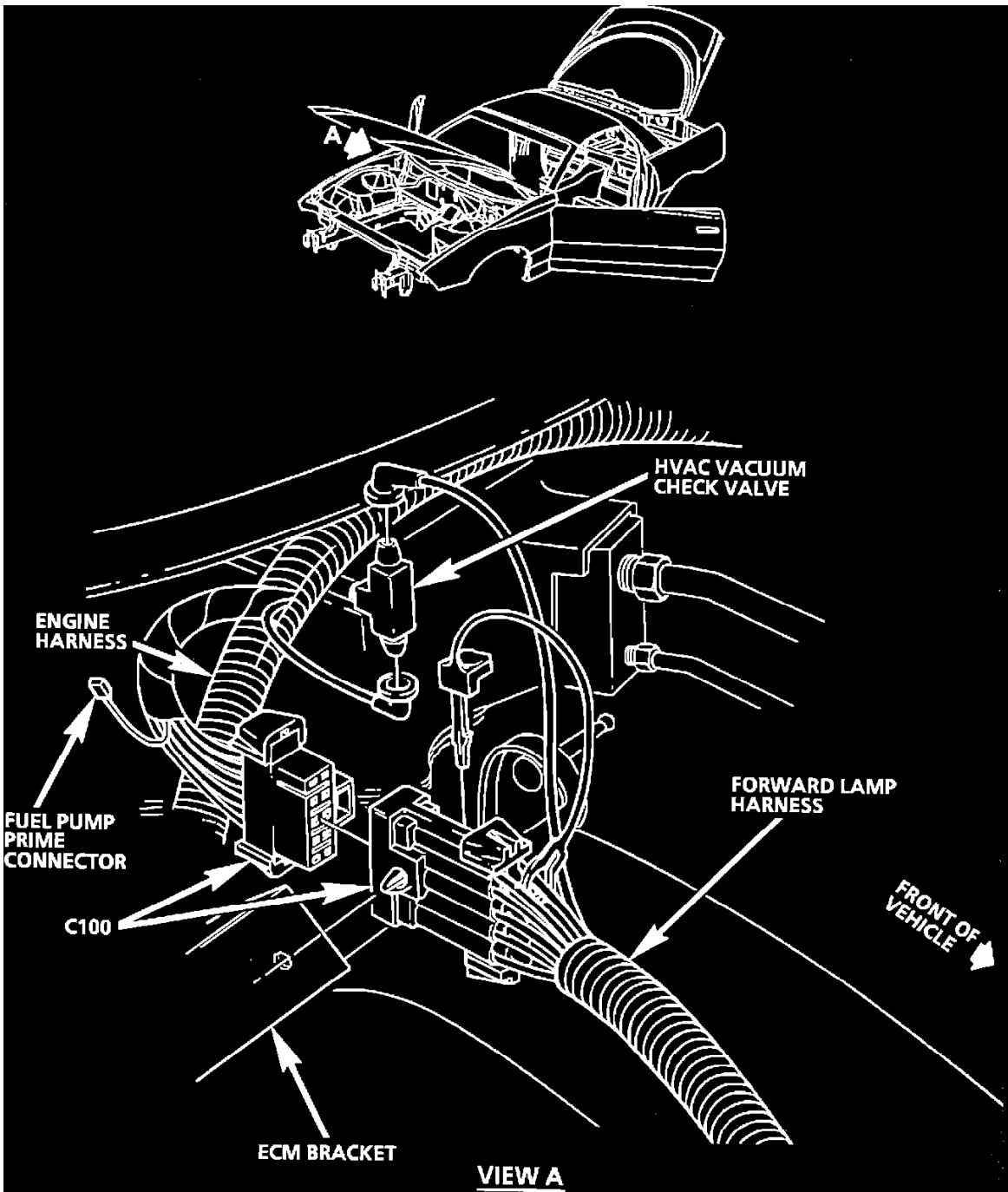


Fuel Pump Prime Connector

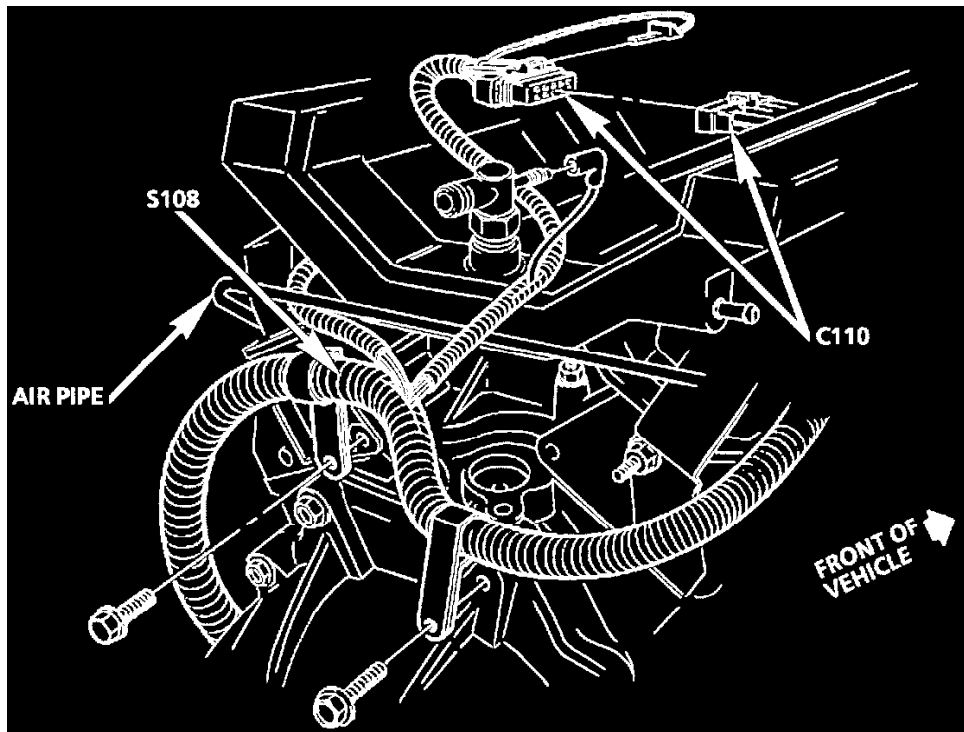
Rear of Engine



Rear View Engine Wiring Harness



Right Rear Of Engine Compartment



Rear Of Engine (V6 VIN S)

C120

LH wheel speed sensor pigtail, mounted to LH frame wheel

C130

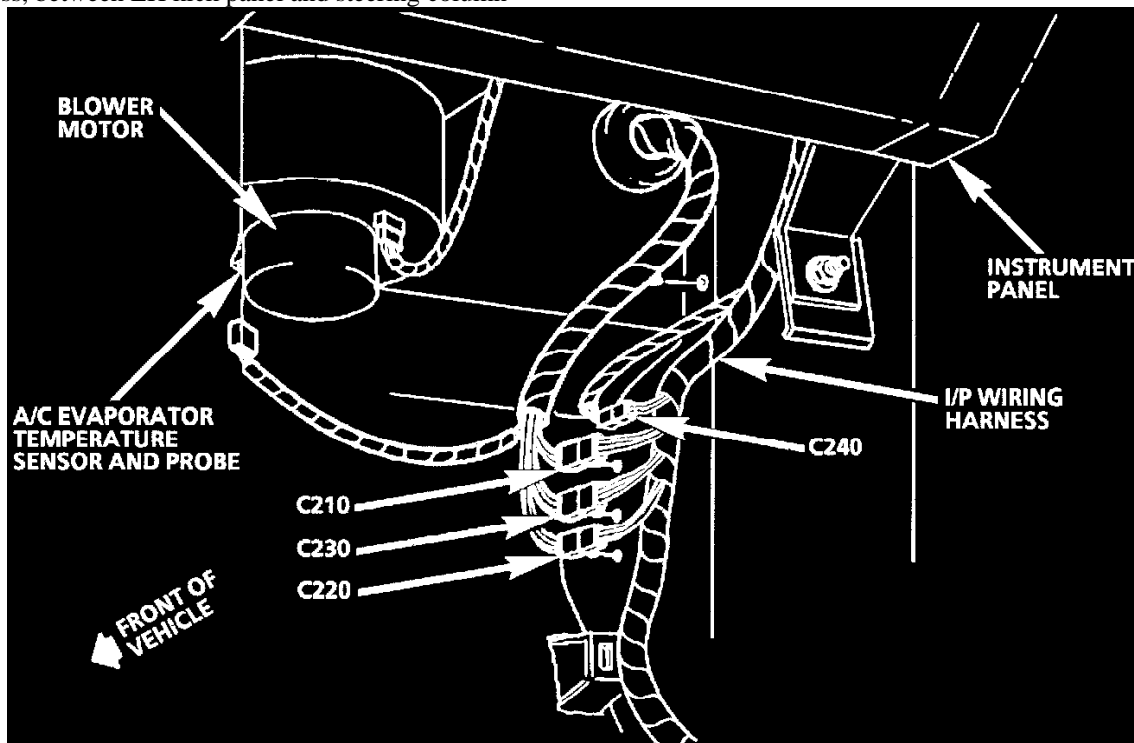
RH wheel speed sensor pigtail, mounted to RH frame wheel

C200B

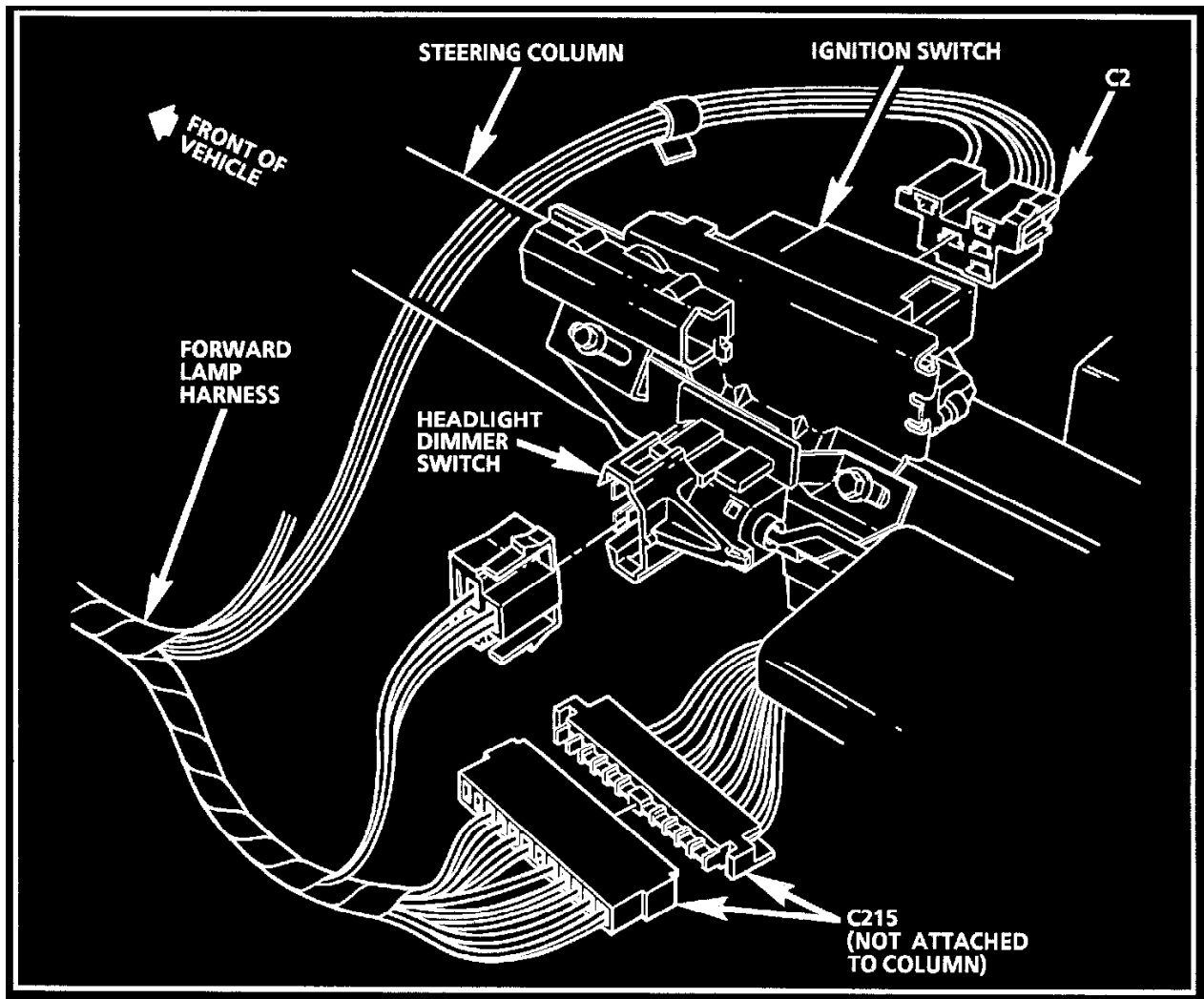
Part of forward lamp harness, between LH kick panel and steering column

C200D

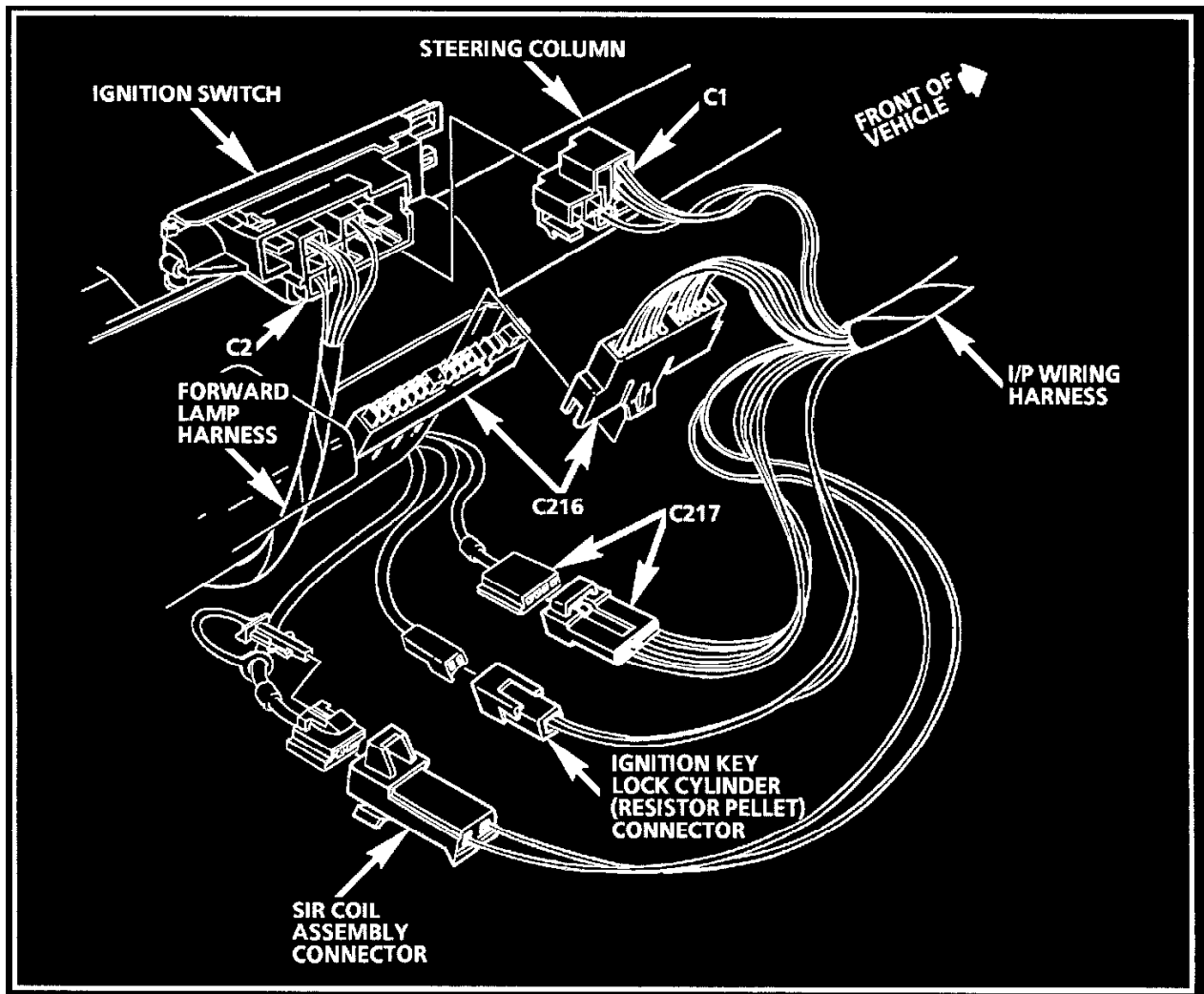
Part of I/P harness, between LH kick panel and steering column



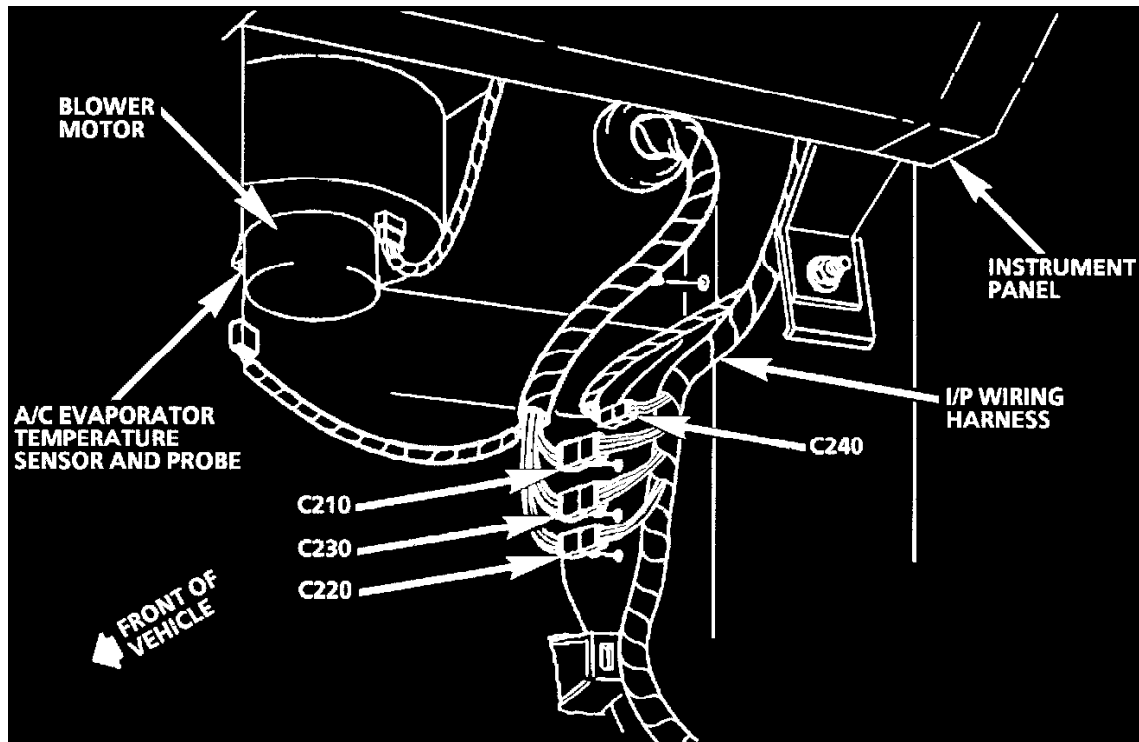
Behind Lower RH Side Of I/P



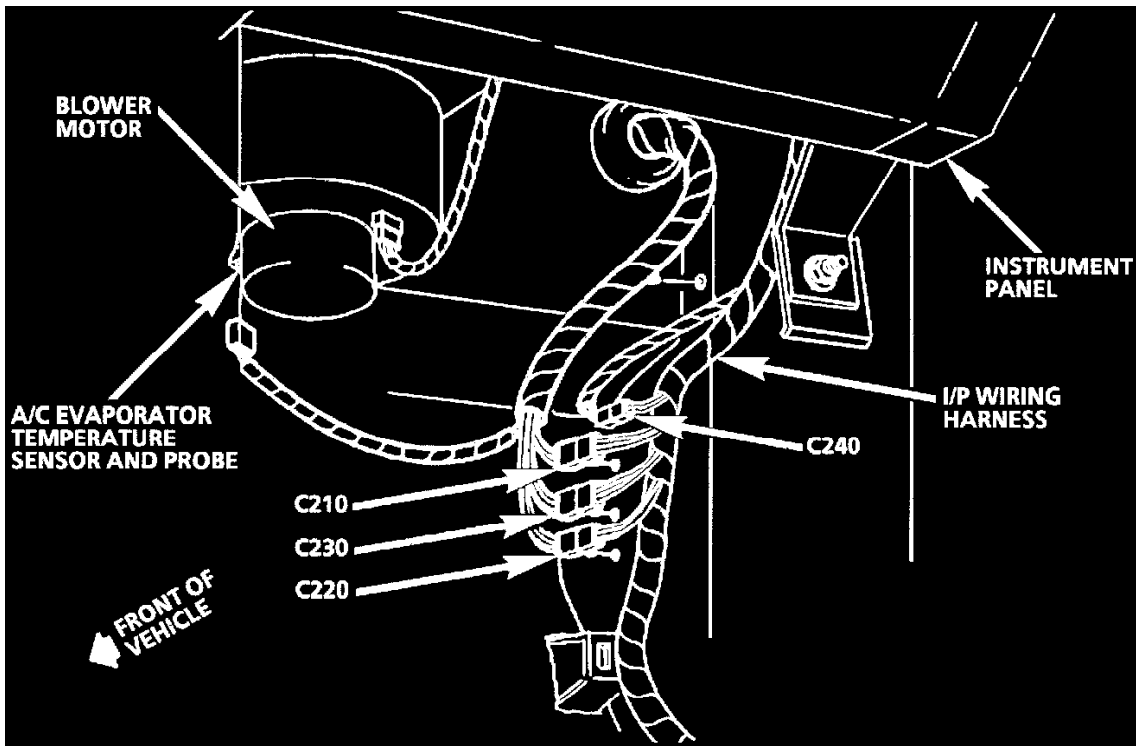
Bottom Of Steering Column



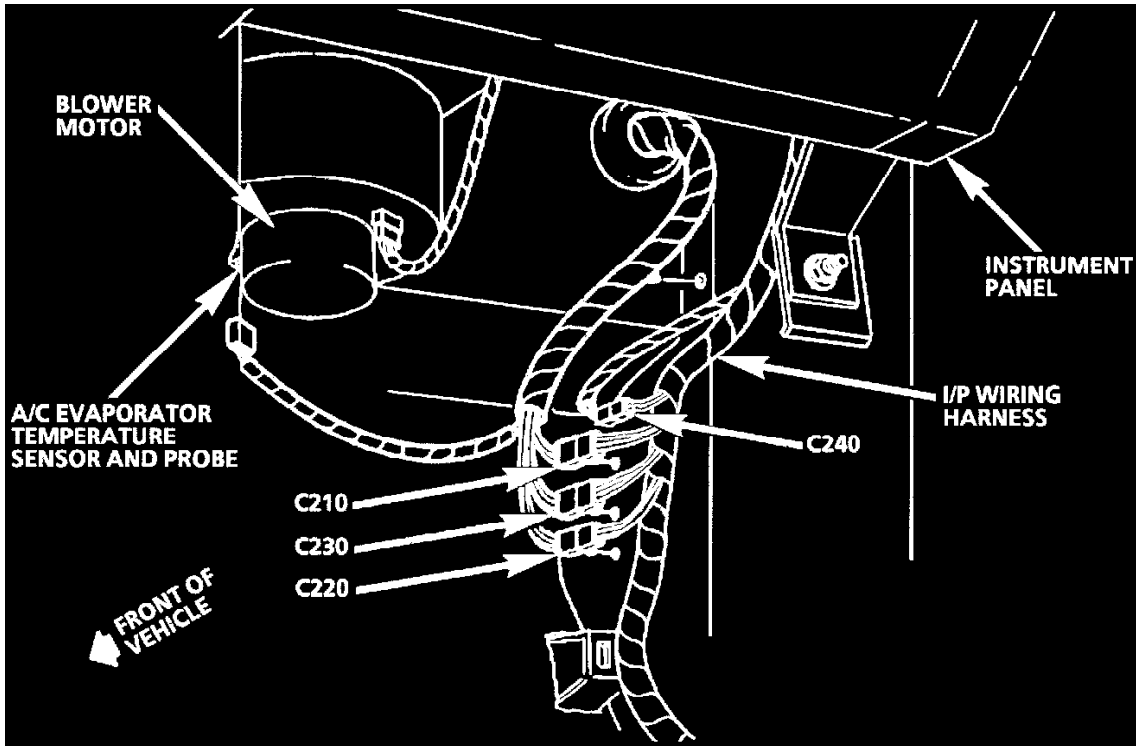
Bottom Of Steering Column



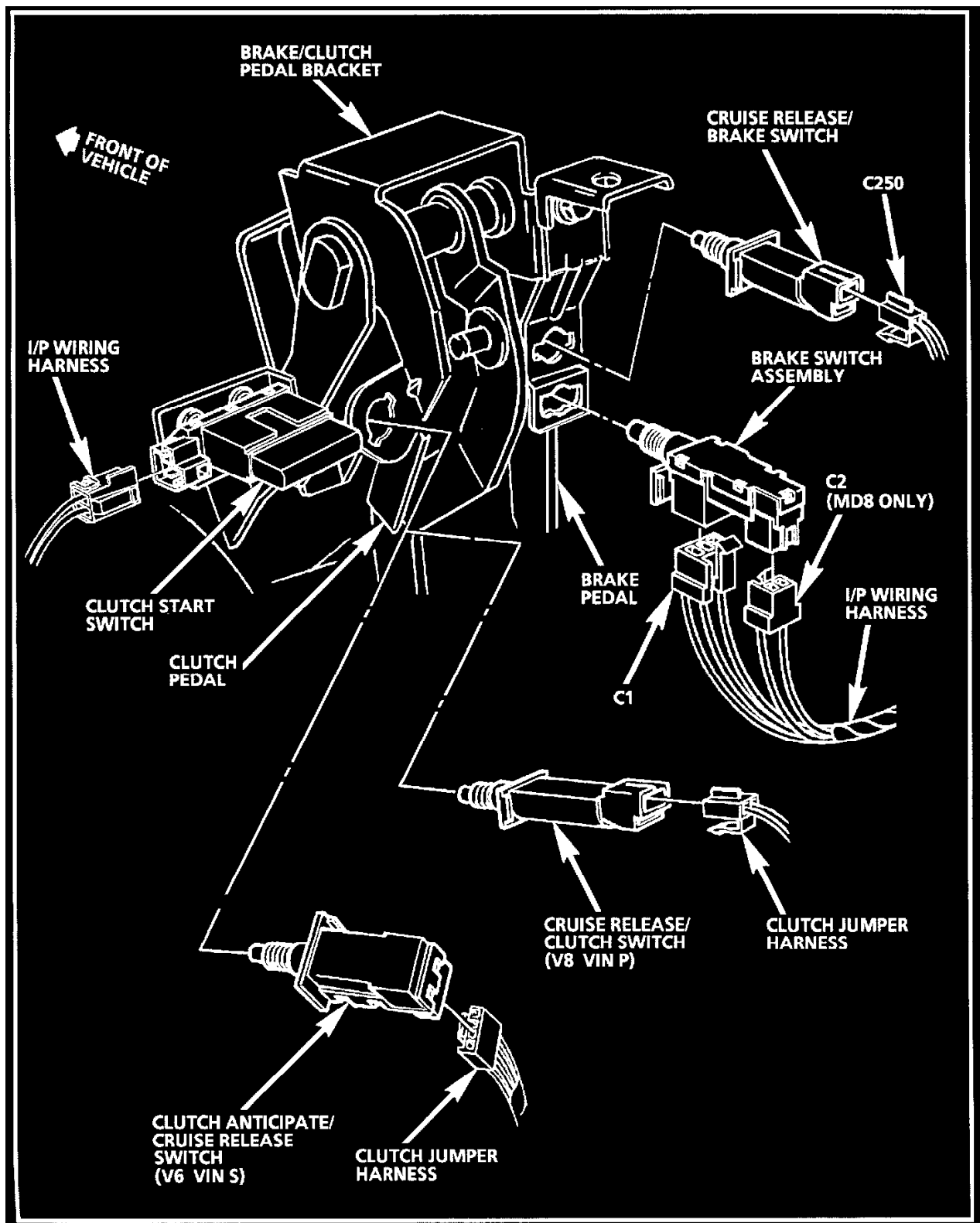
Behind Lower RH Side Of I/P



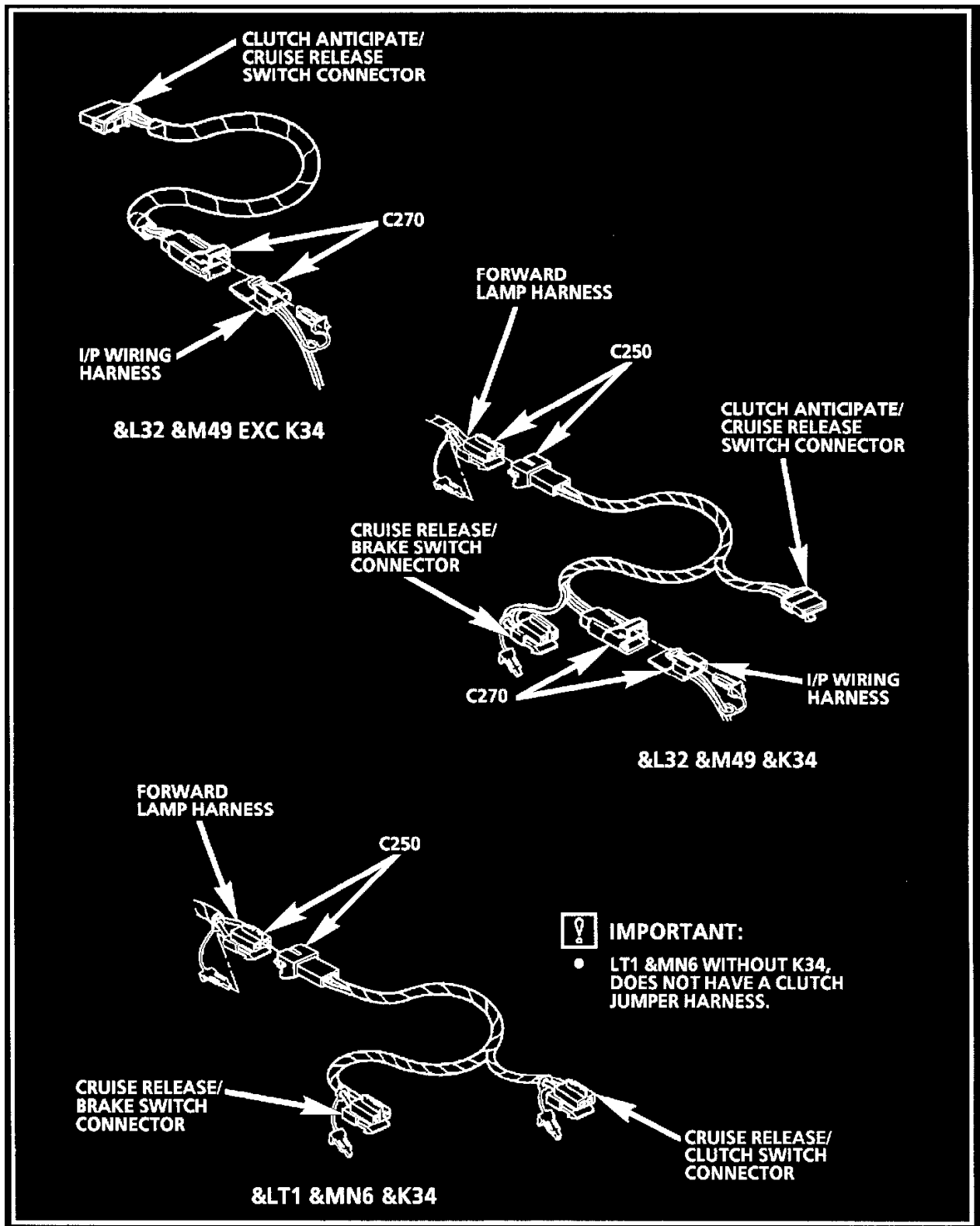
Behind Lower RH Side Of I/P



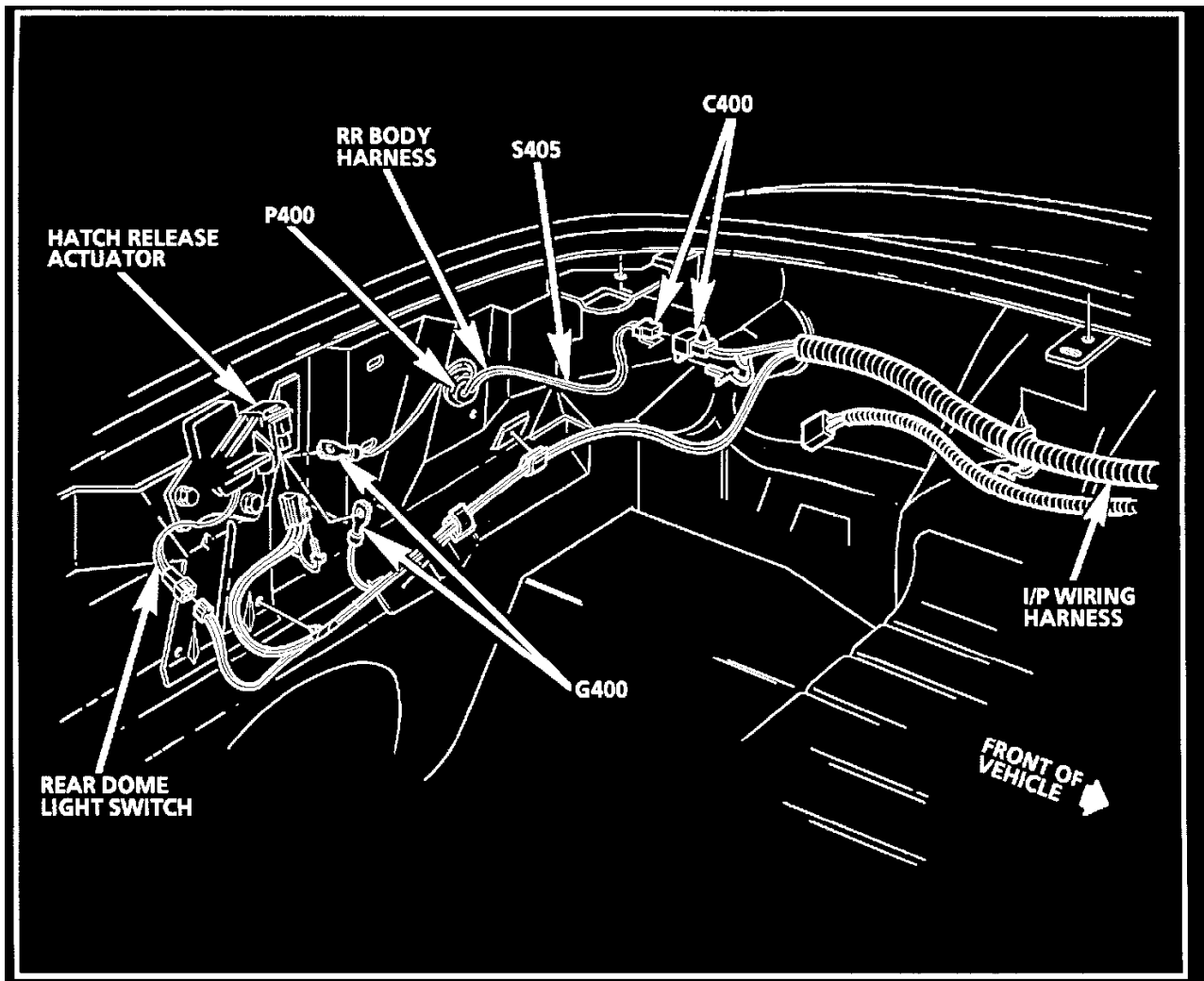
Behind Lower RH Side Of I/P



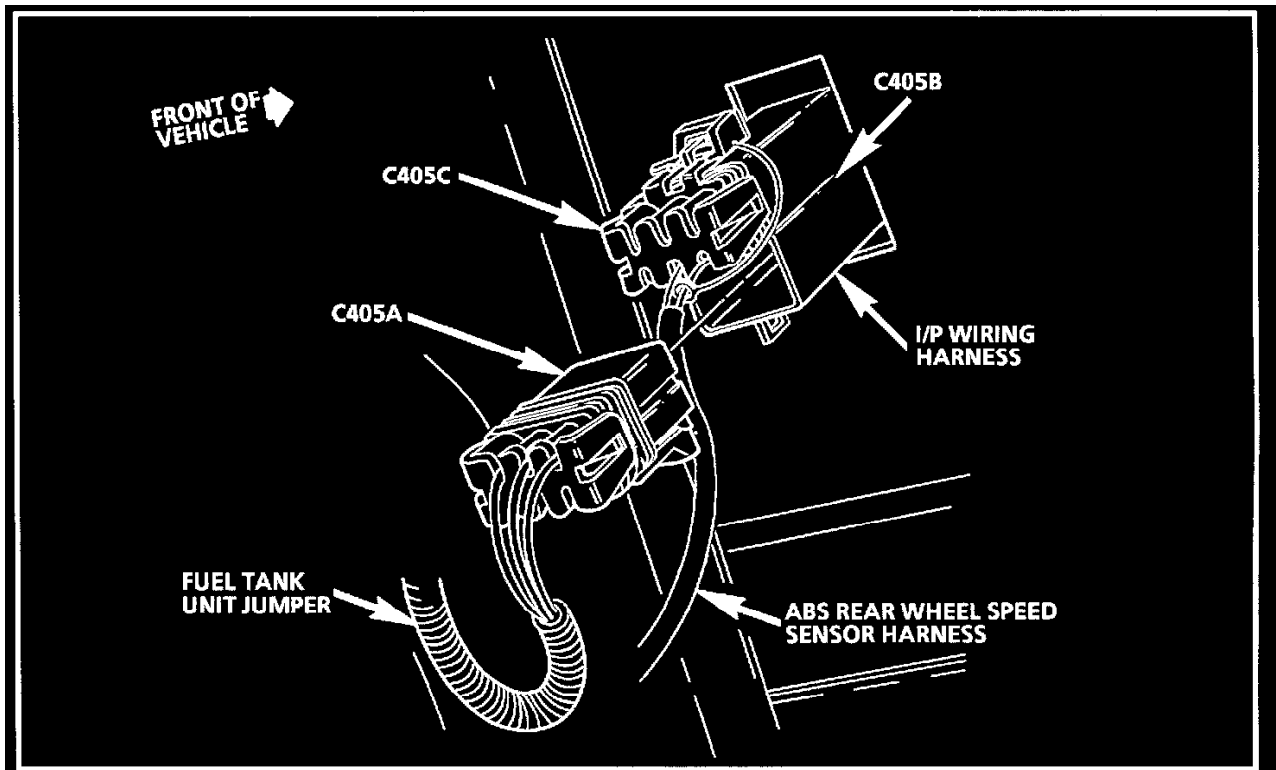
Under LH Side Of I/P



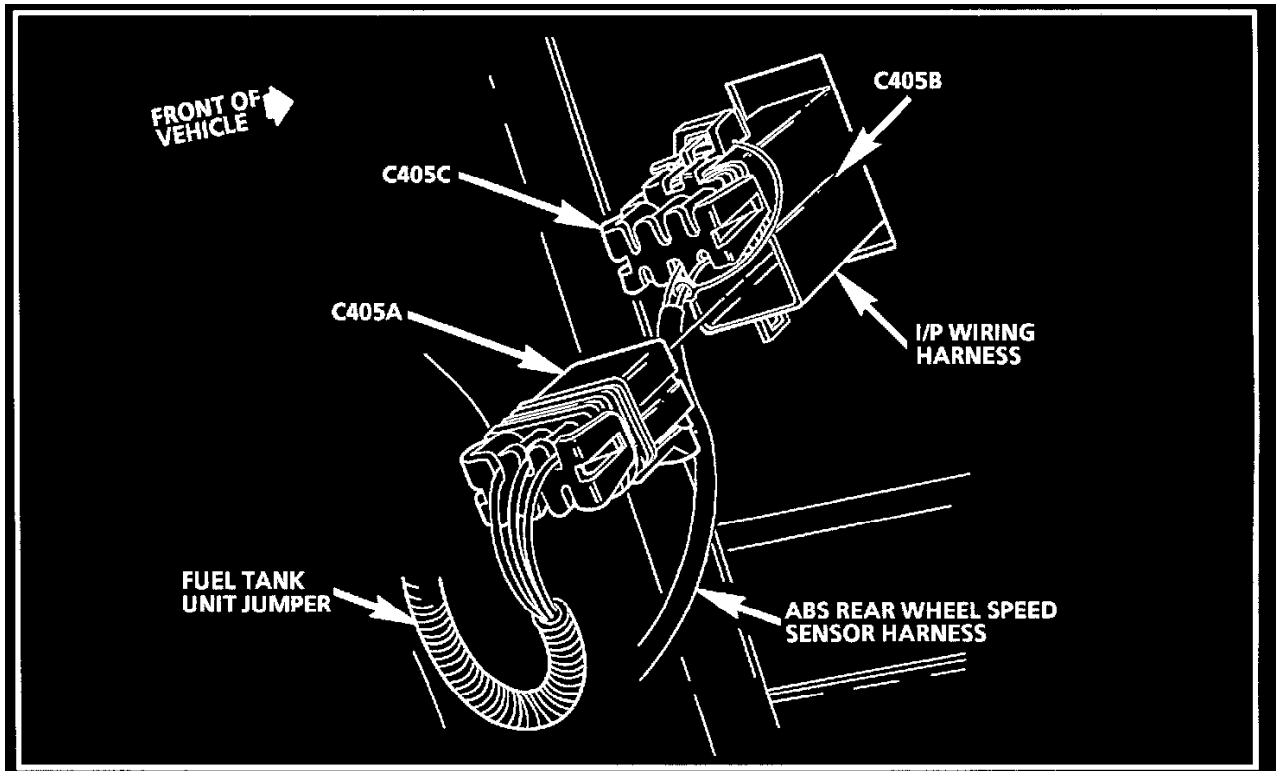
Clutch Jumper Harness Combinations-Manual (M49 Or MN6)



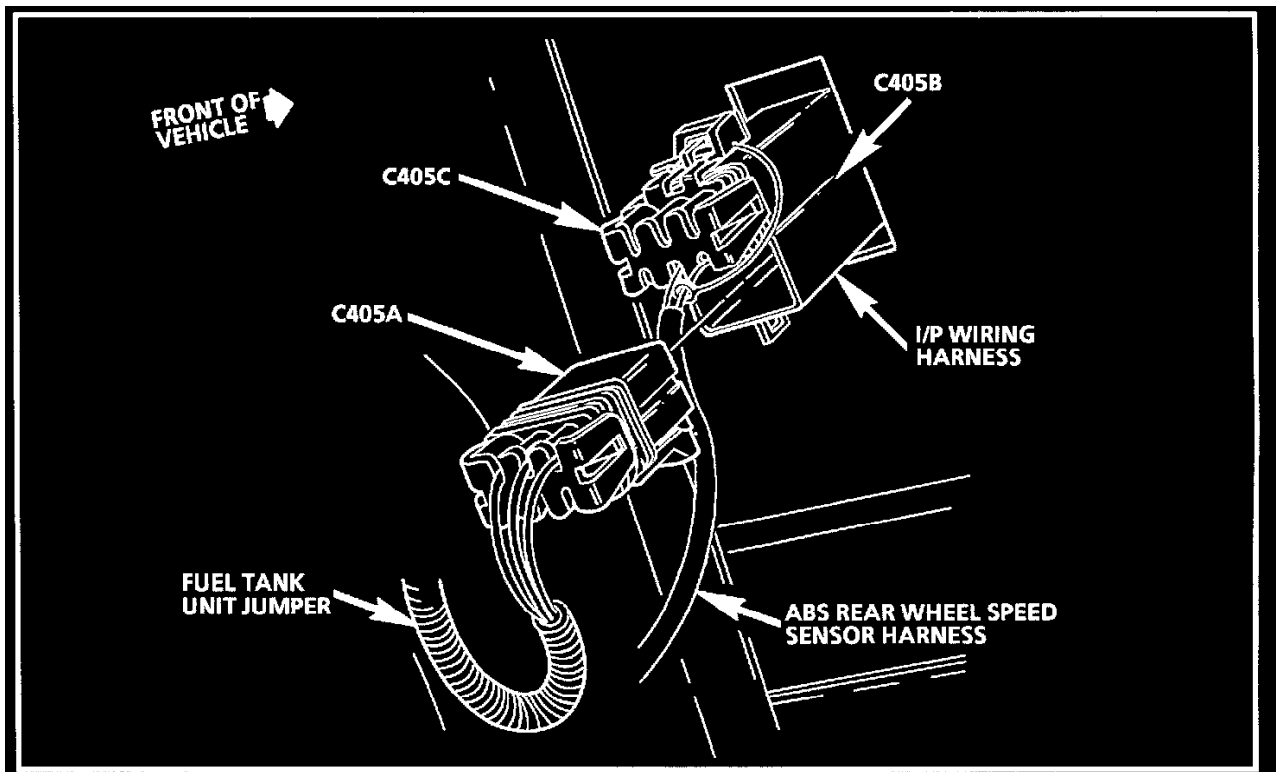
LH Rear Cargo Compartment



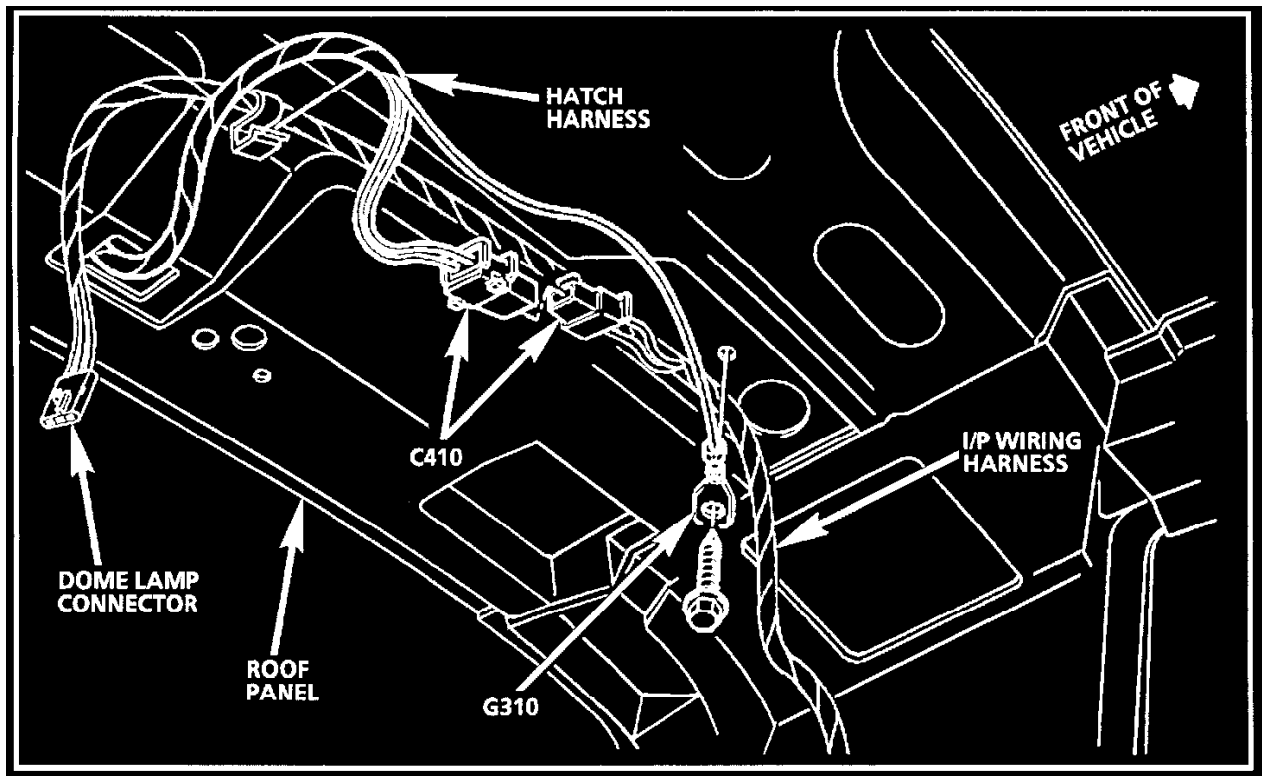
Forward Of LH Side Of Rear Axle



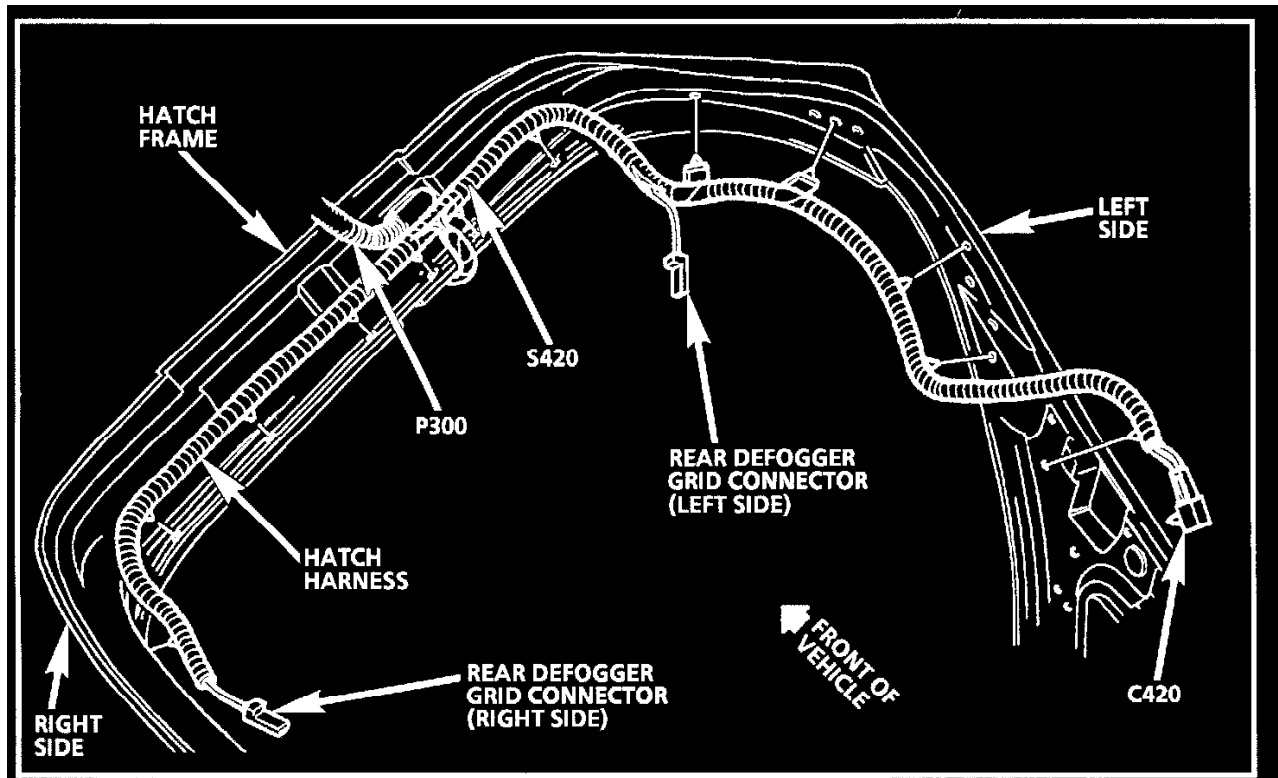
Forward Of LH Side Of Rear Axle



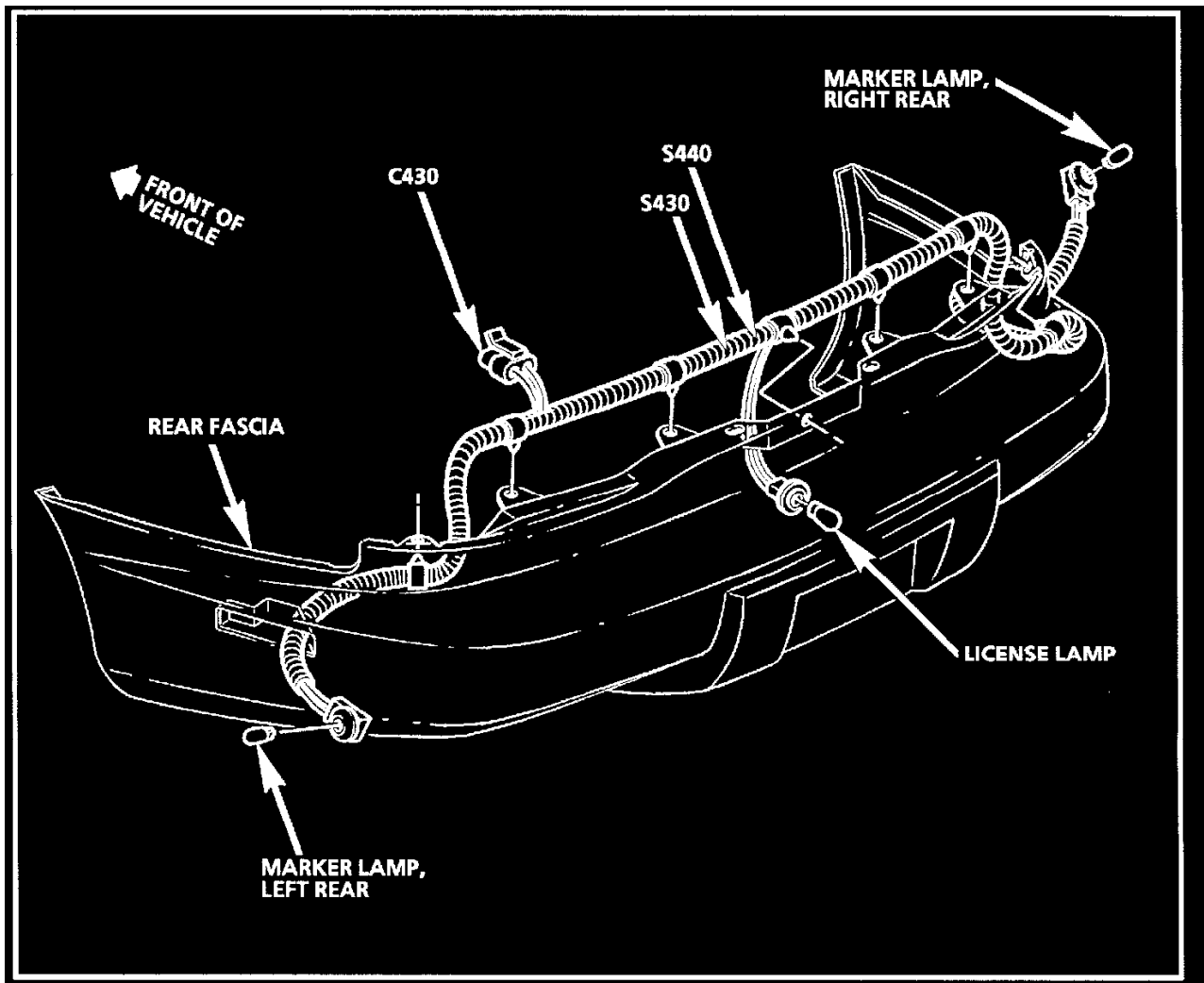
Forward Of LH Side Of Rear Axle



Center Rear On Roof Panel

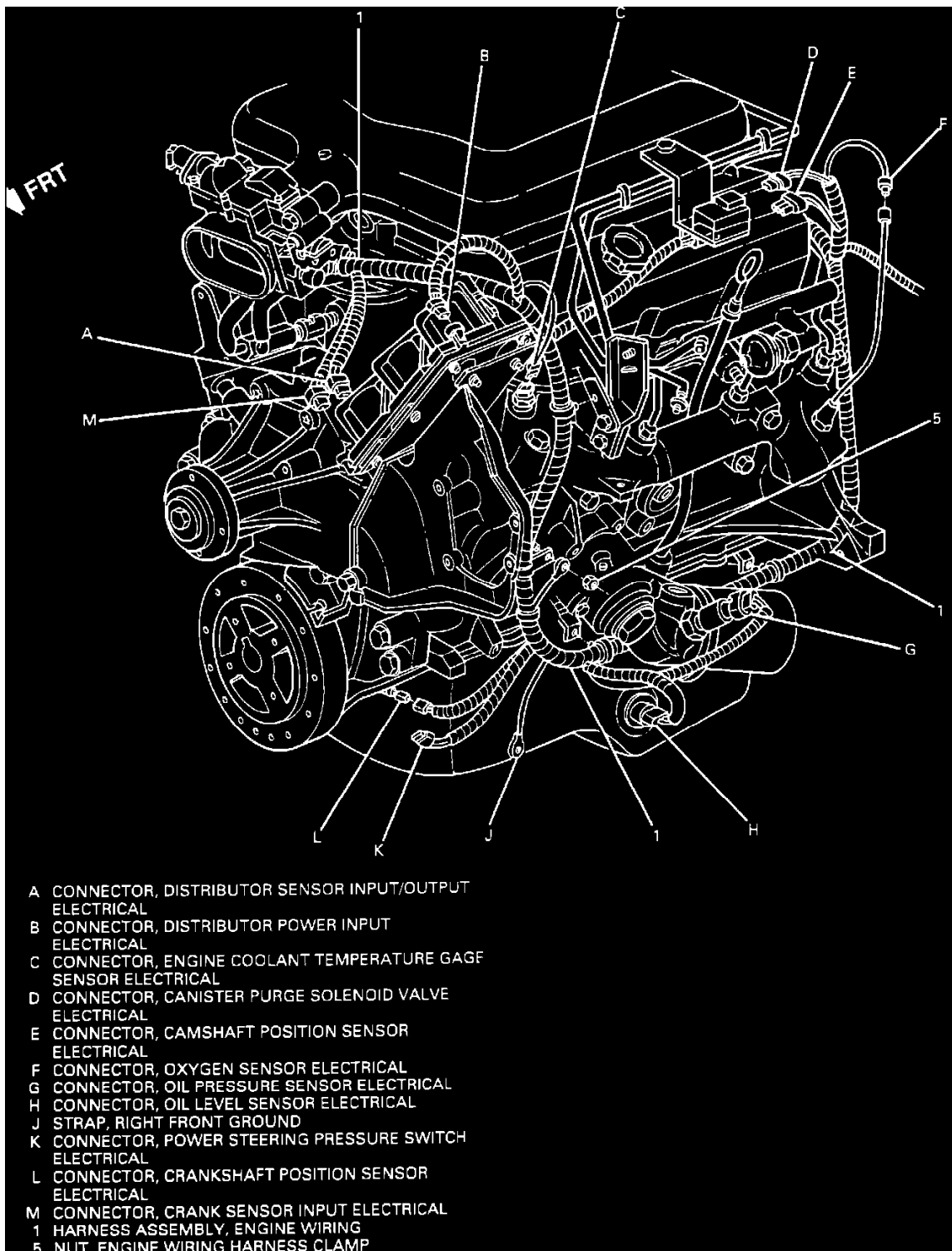


Bottom Side Of Hatch, Shown Upside Down



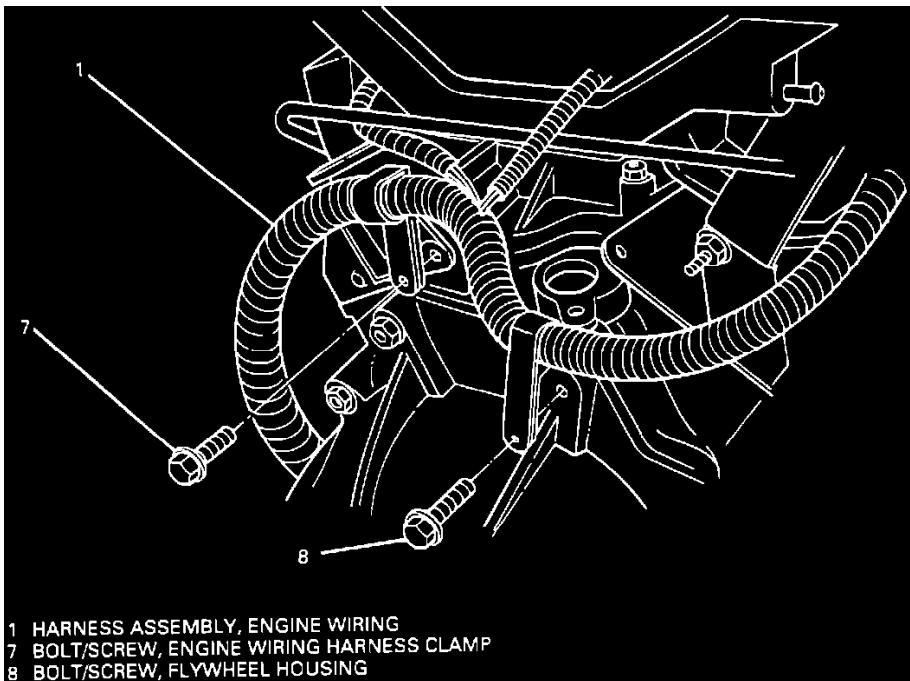
Rear Fascia

Left Side View



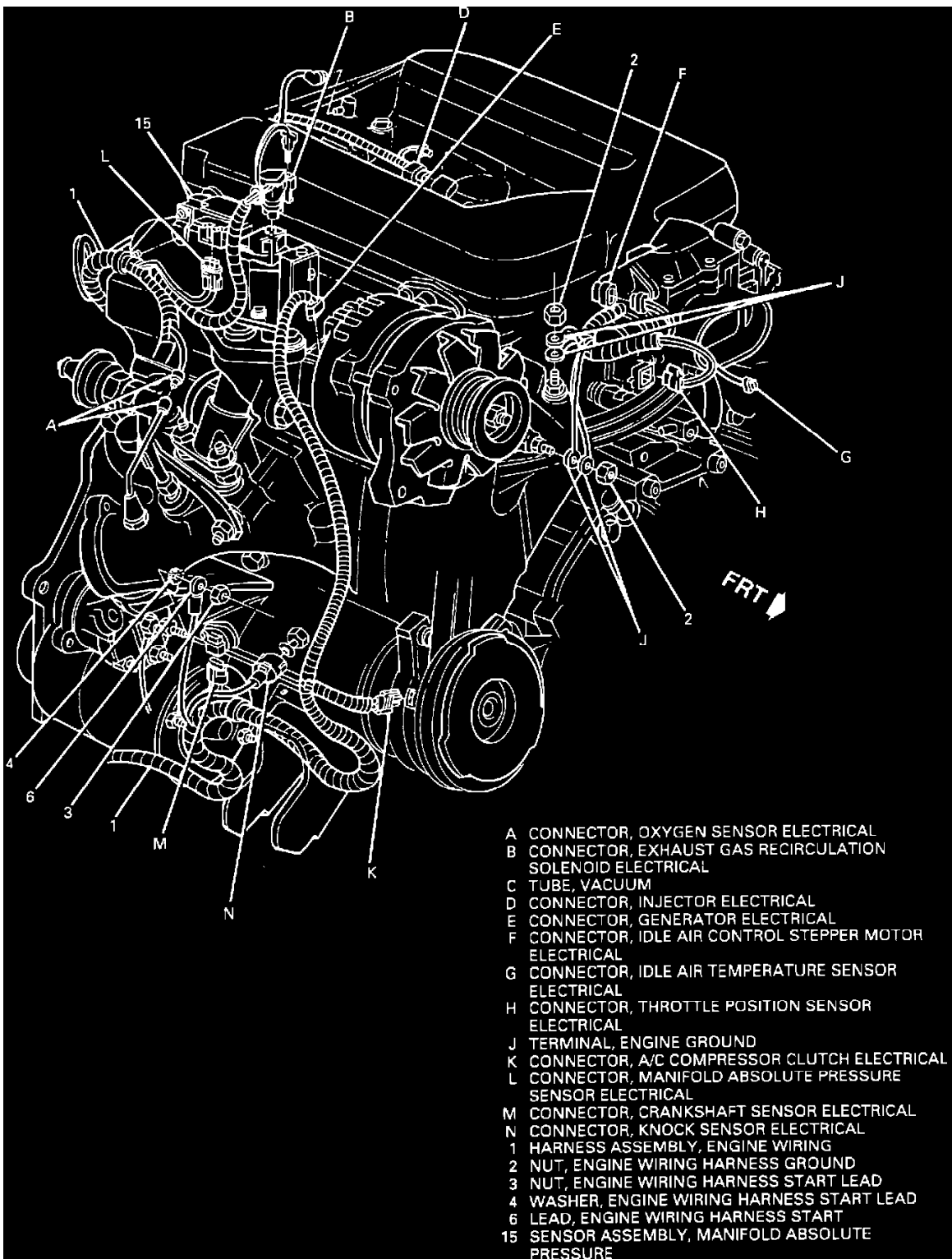
Left Side Engine Wiring Harness

Rear View



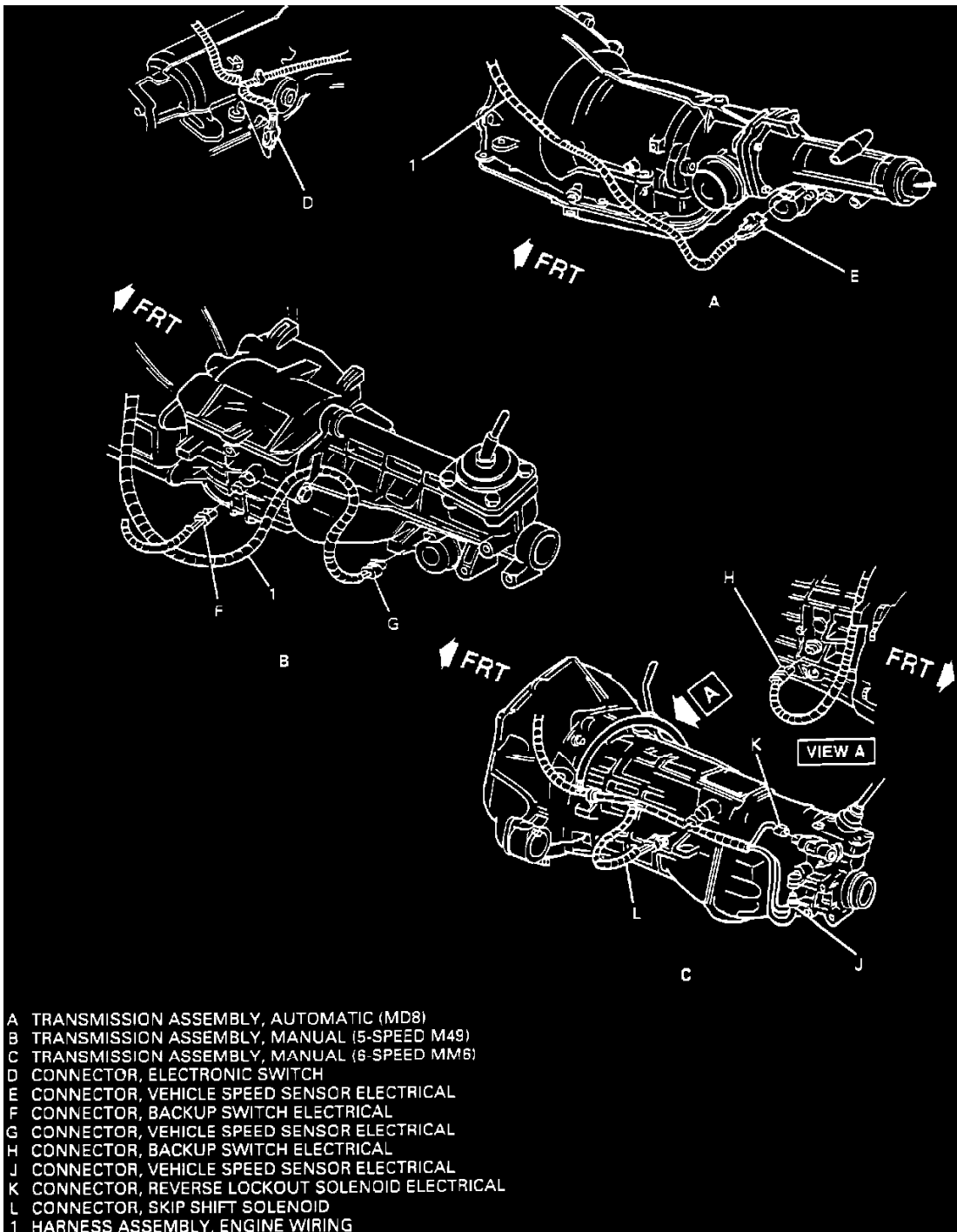
Rear View Engine Wiring Harness

Right Side View



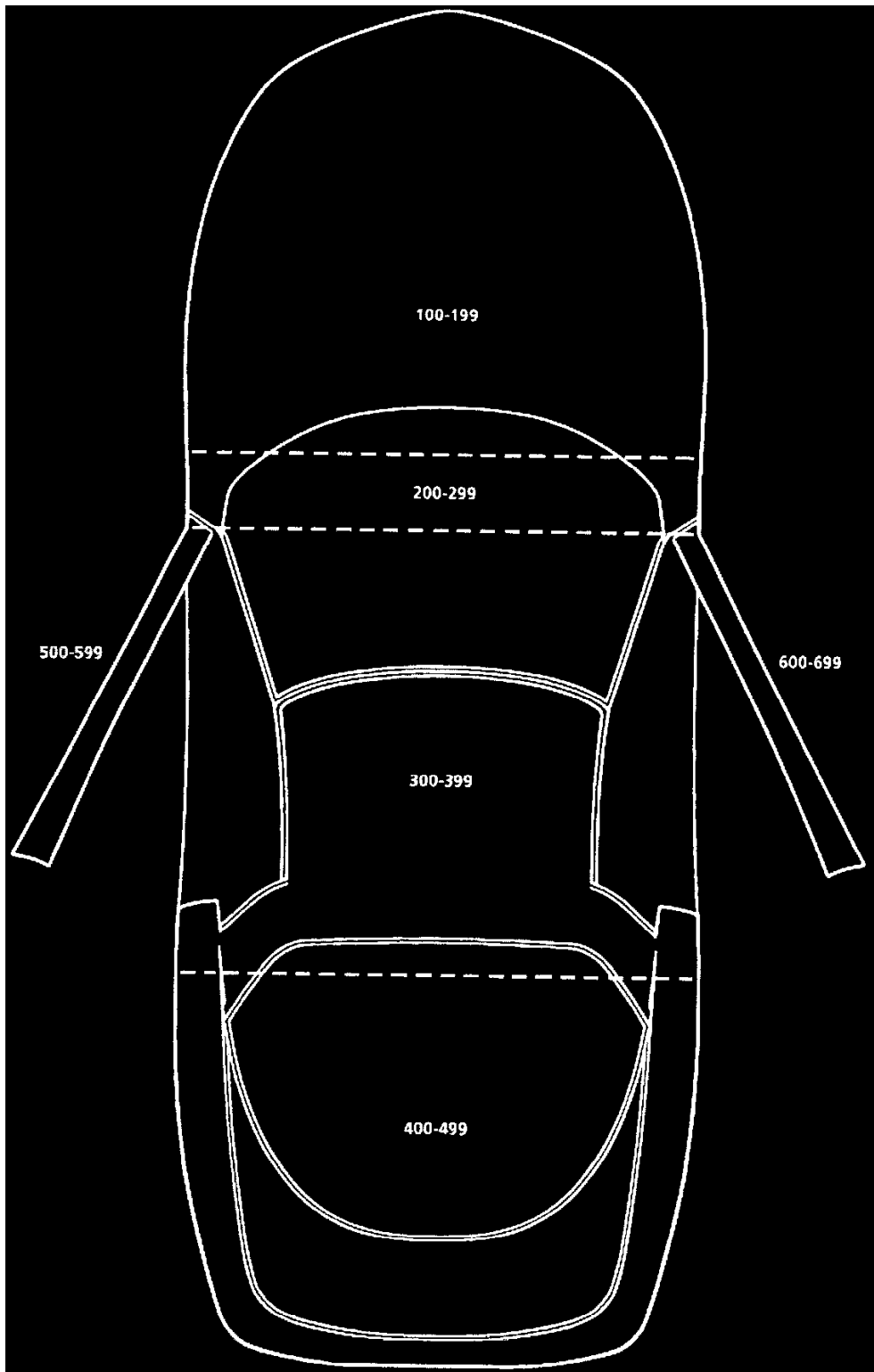
Right Side Engine Wiring Harness Assembly

Transmission



Transmission Engine Wiring Harness

Vehicle Zoning - Connector Identification

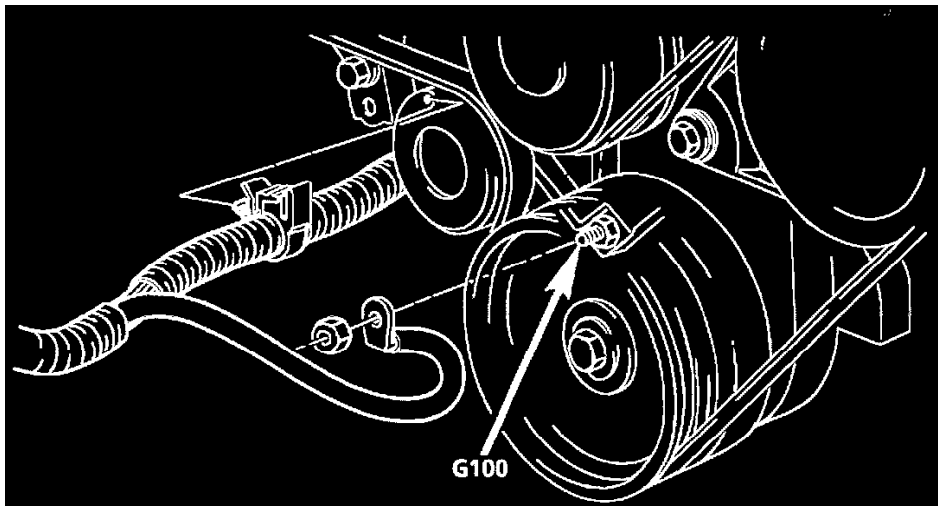


Vehicle Zoning

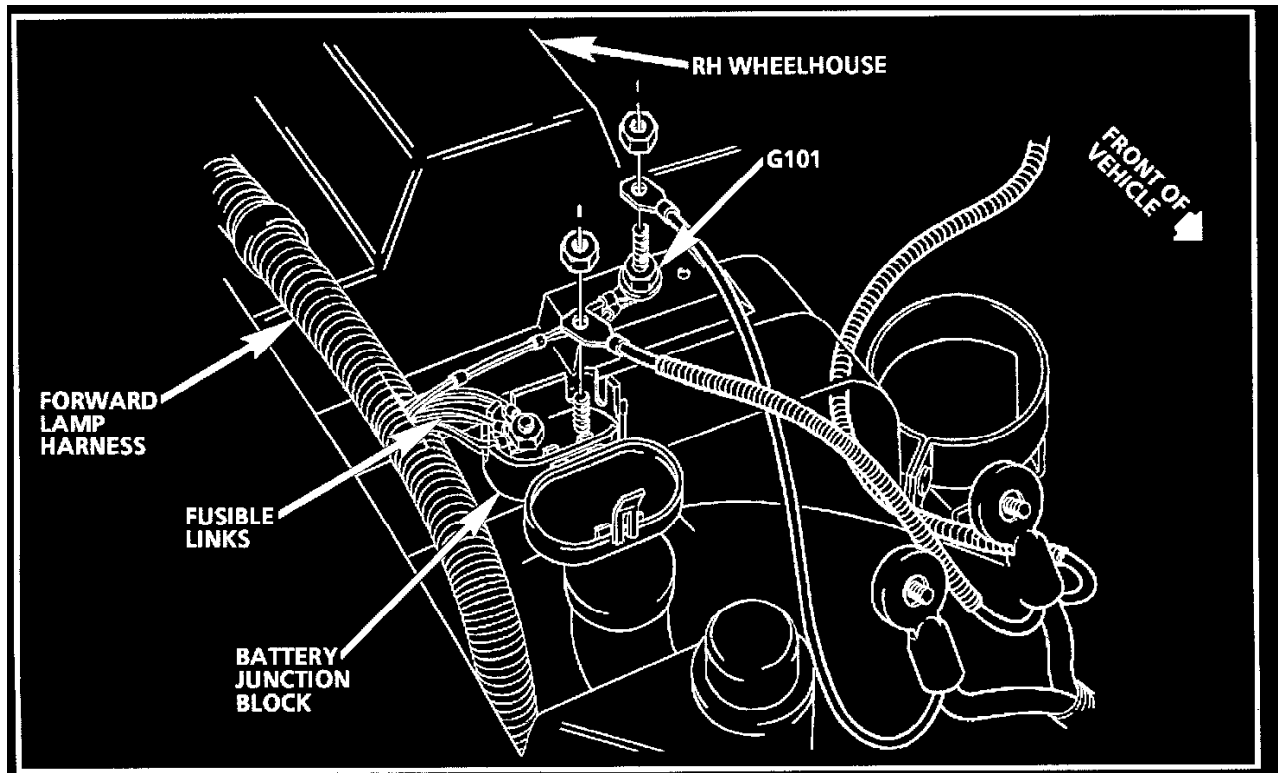
CALLOUT NUMBERS (For Splices, Connectors and Pass Thru Grommets)	ZONE DESCRIPTION
100-199	All forward of and including dash panel
200-299	Within Instrument Panel area
300-399	Passenger Compartment, forward of hatch
400-499	Hatch area, to rear of vehicle
500-599	To and within left door
600-699	To and within right door

Zoning Description

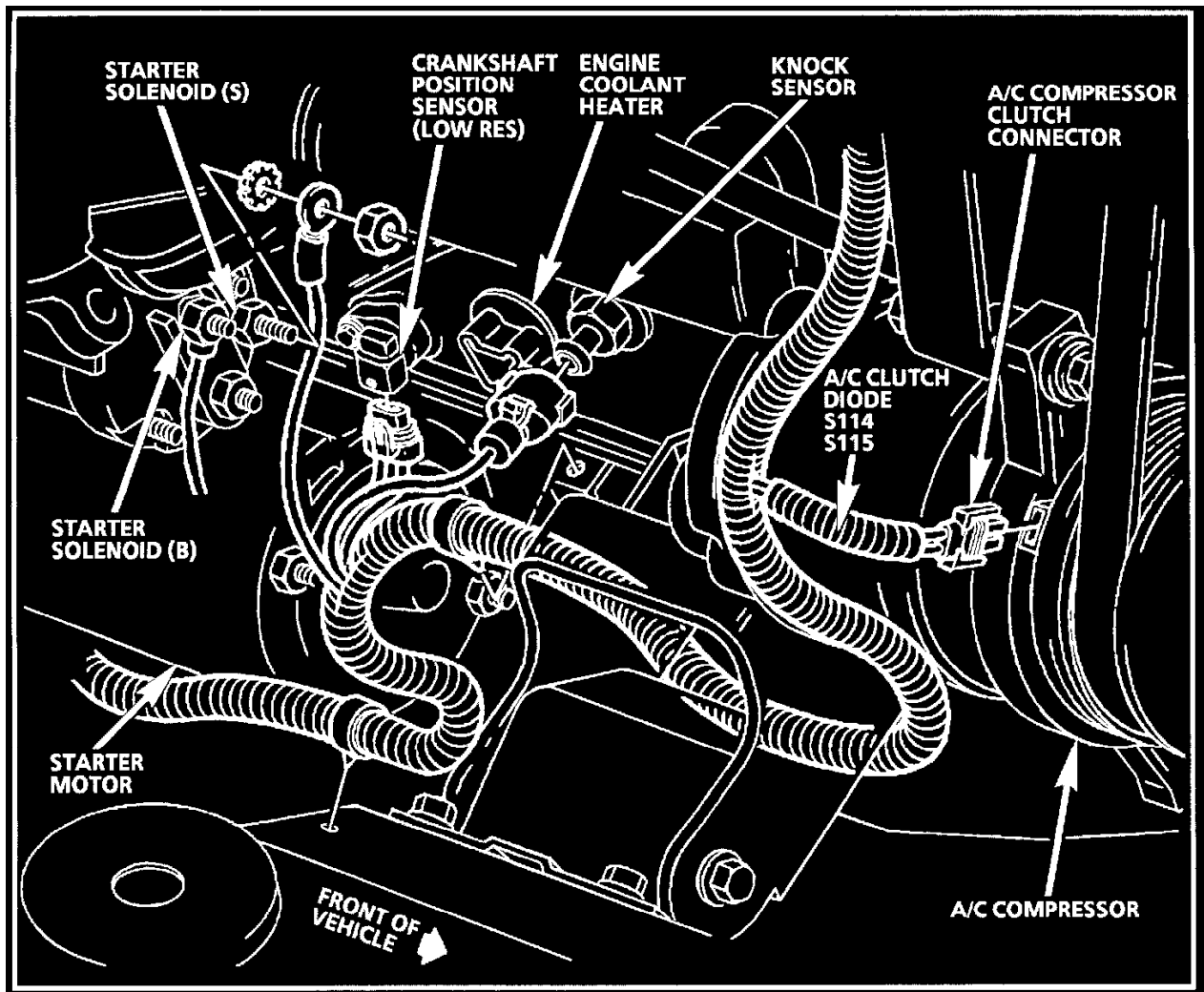
Vehicle Zoning



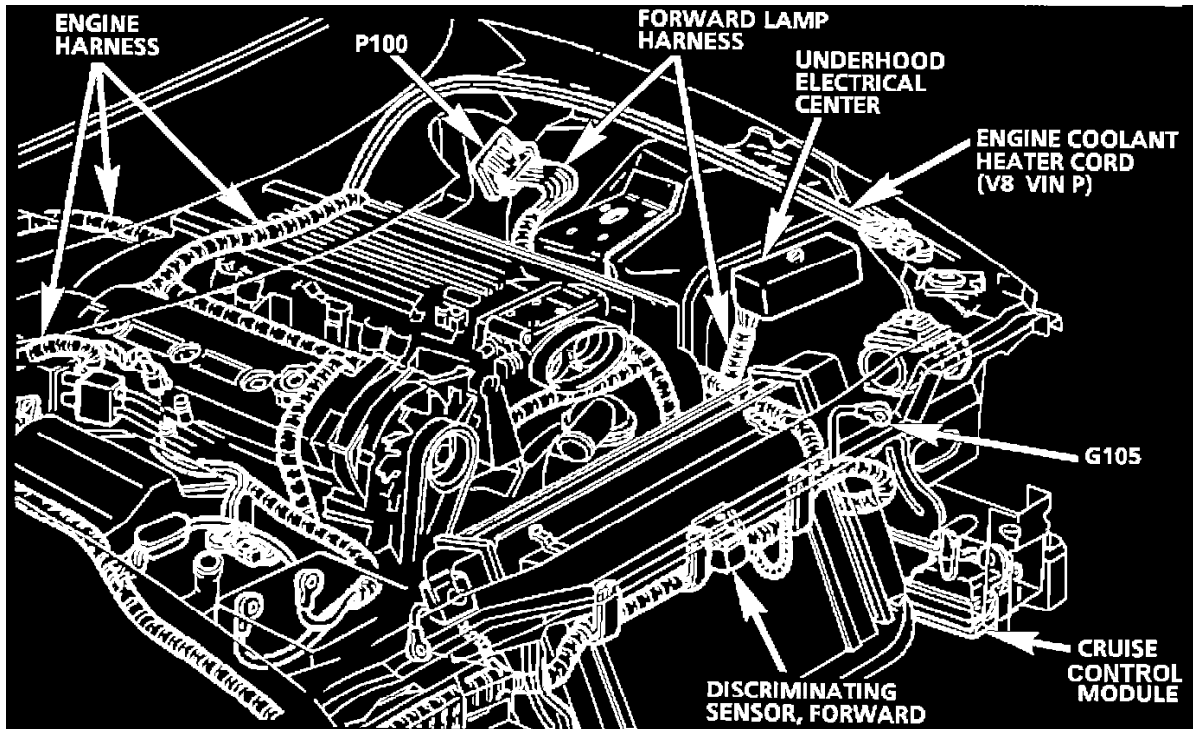
Lower Front Of Engine (V6 VIN S)



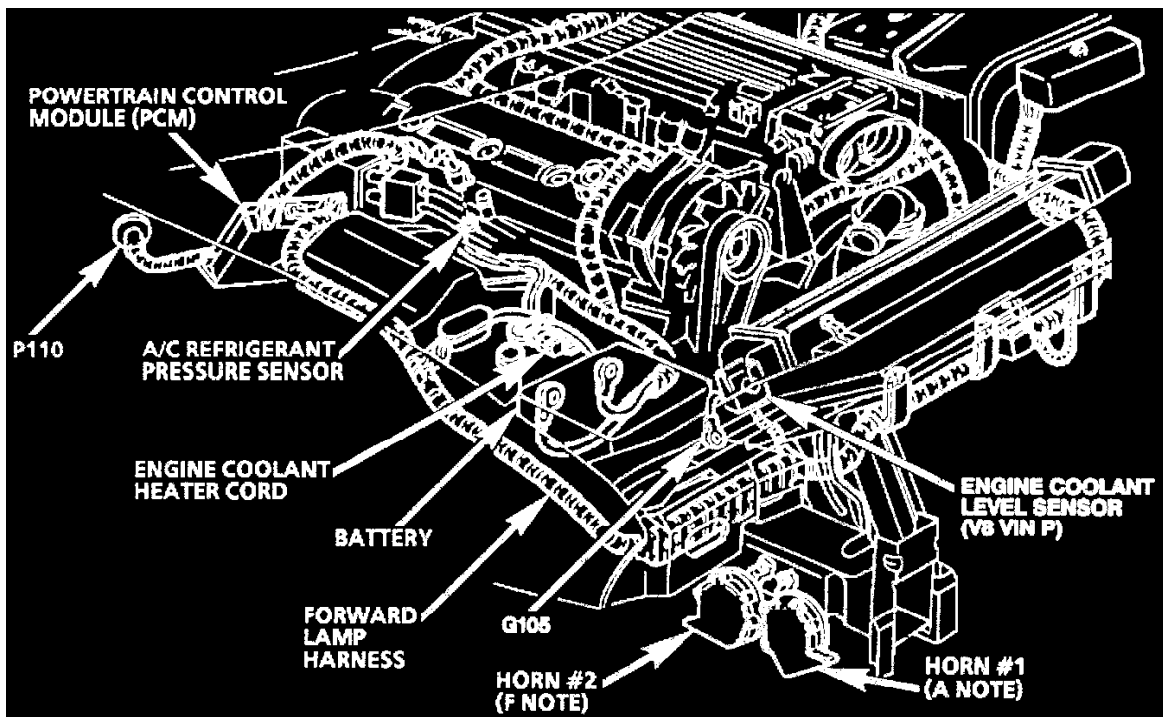
LH Wheelhouse



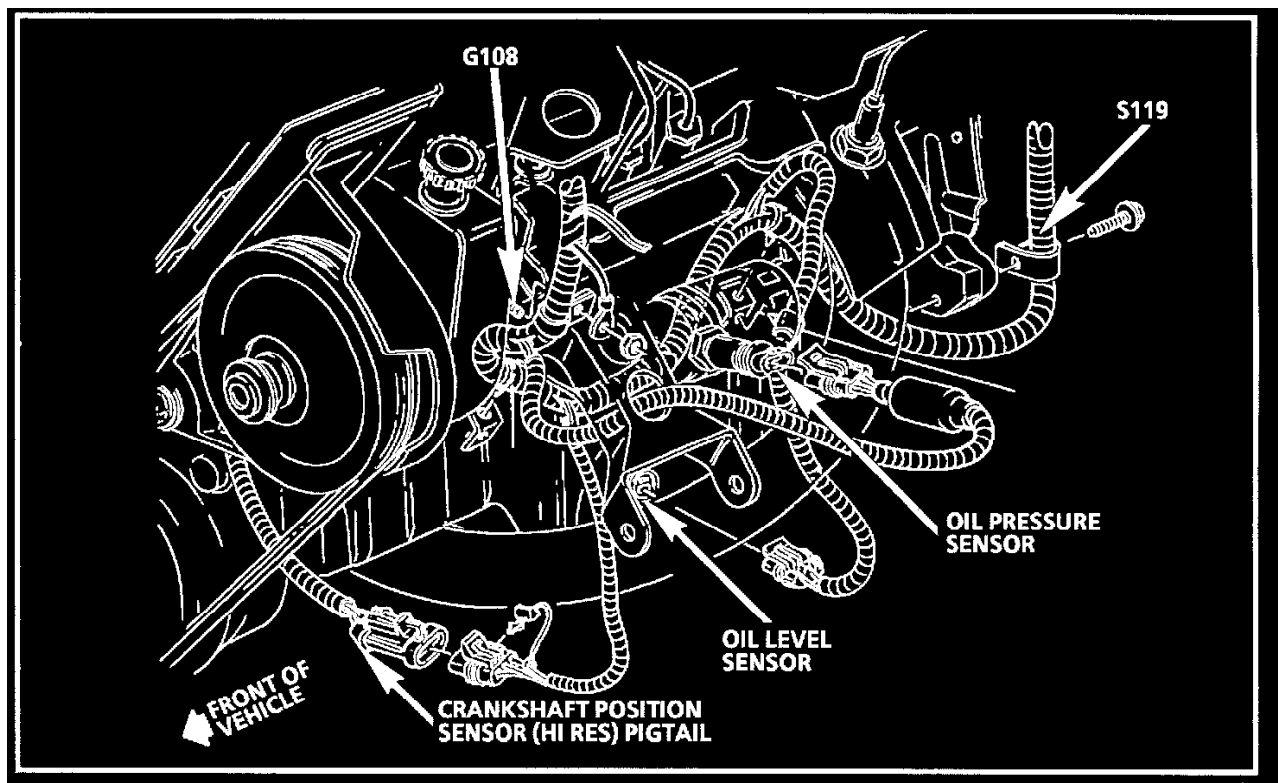
RH Side Of Engine (V6 VIN S)



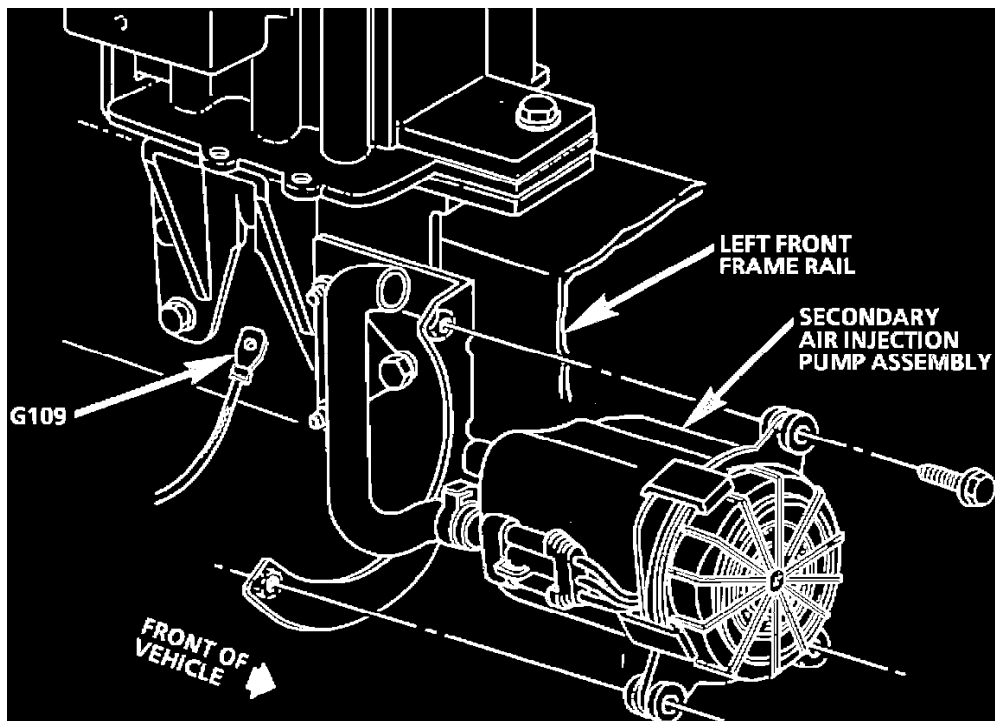
Engine Compartment



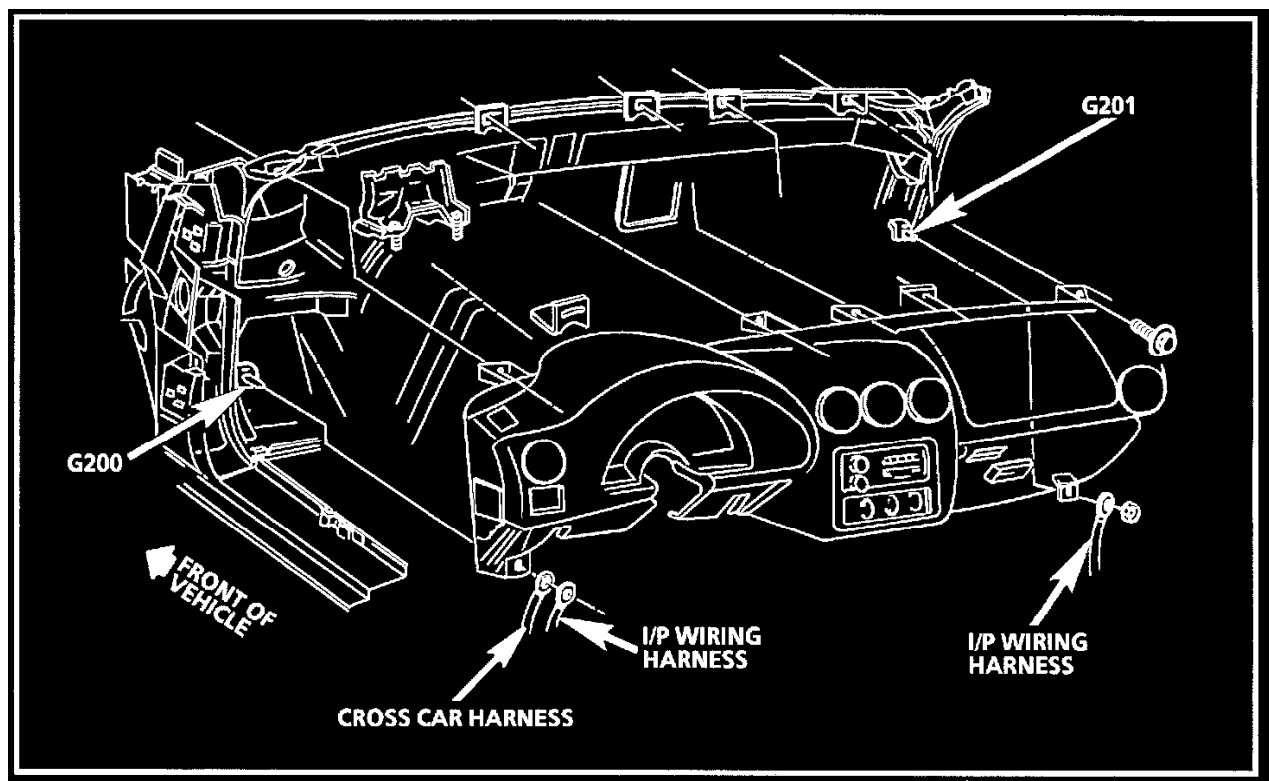
Engine Compartment



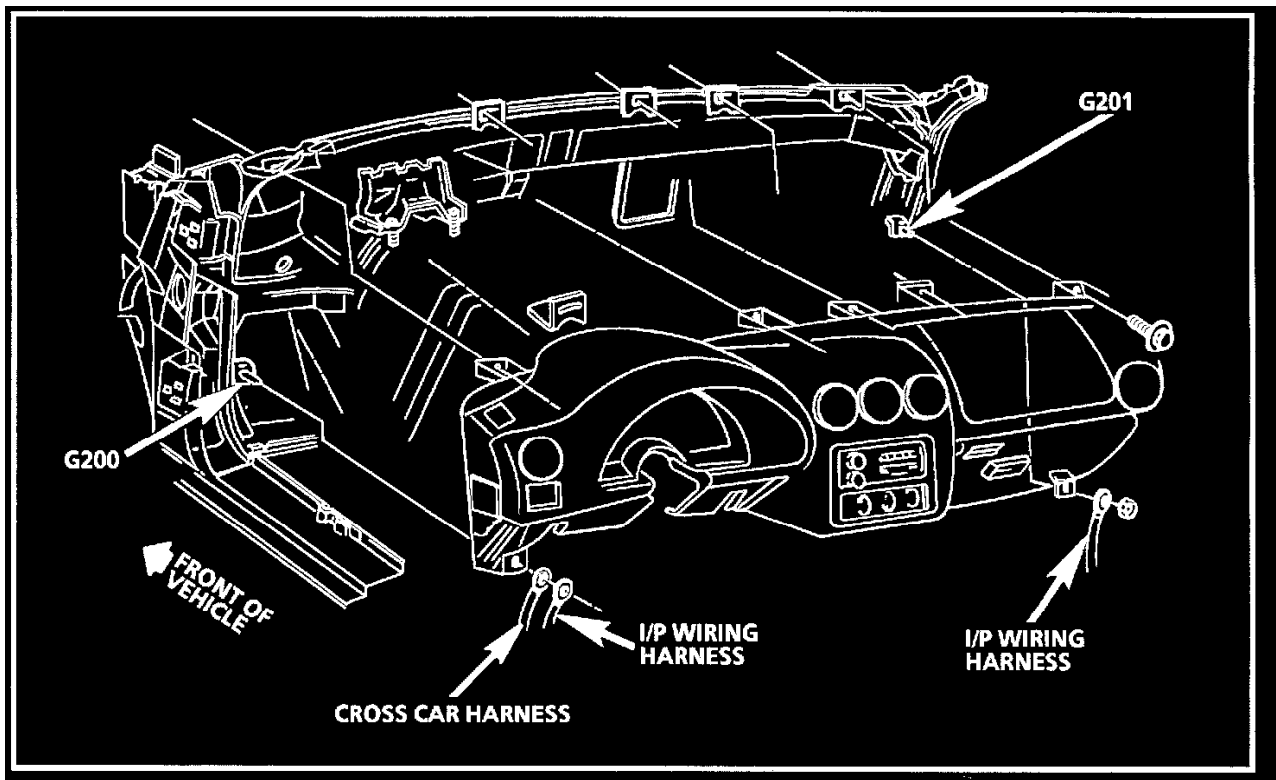
LH Side Of Engine



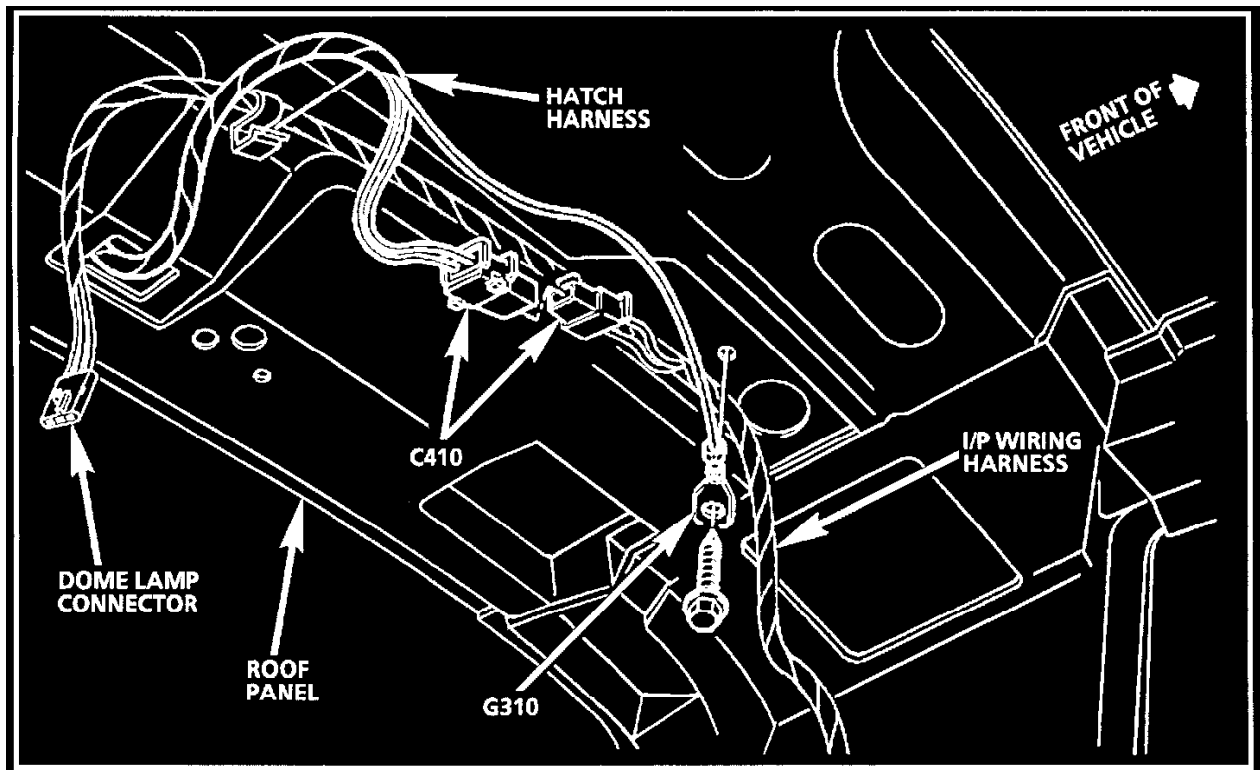
Secondary Air Pump Location



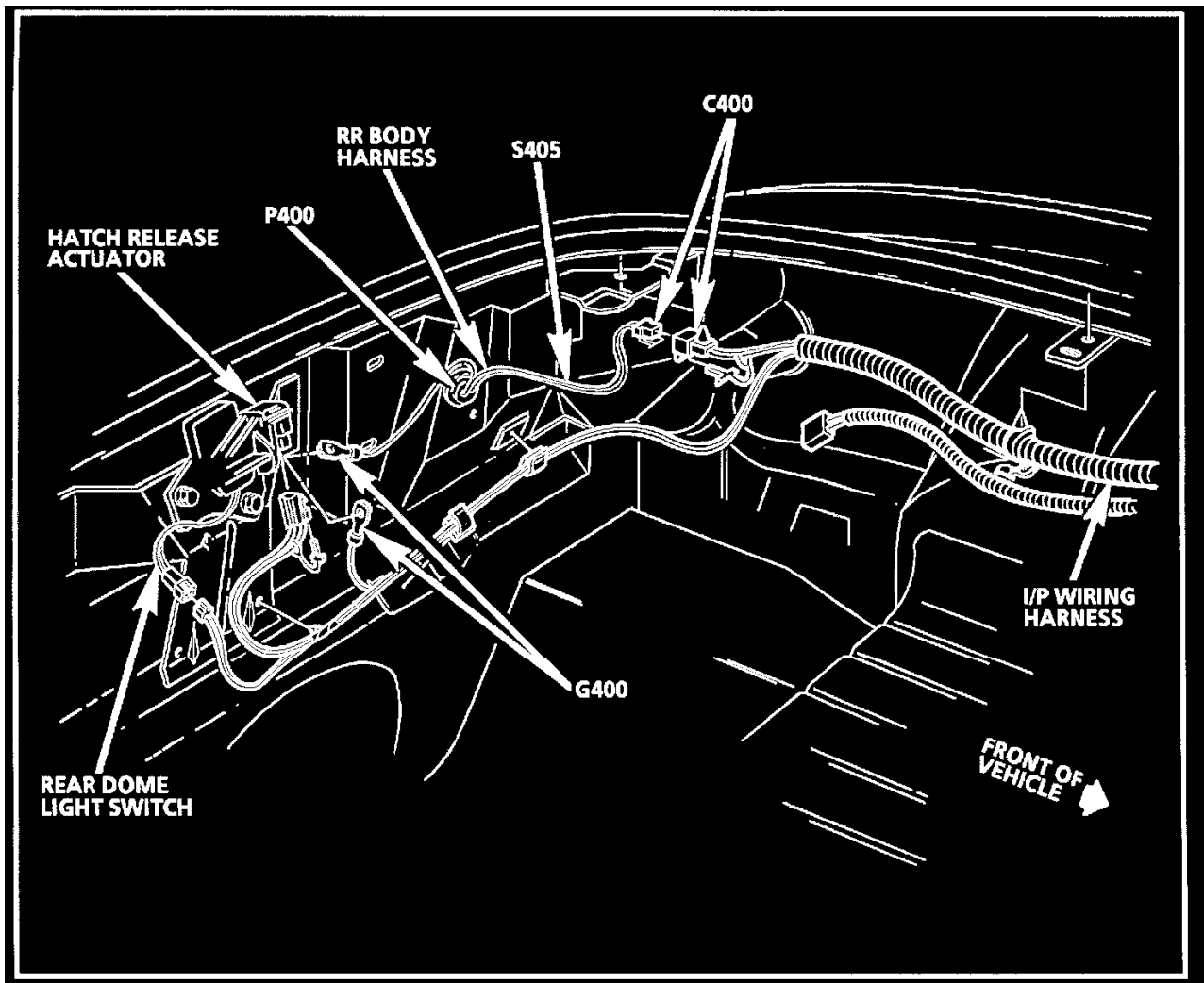
I/P Grounds



I/P Grounds

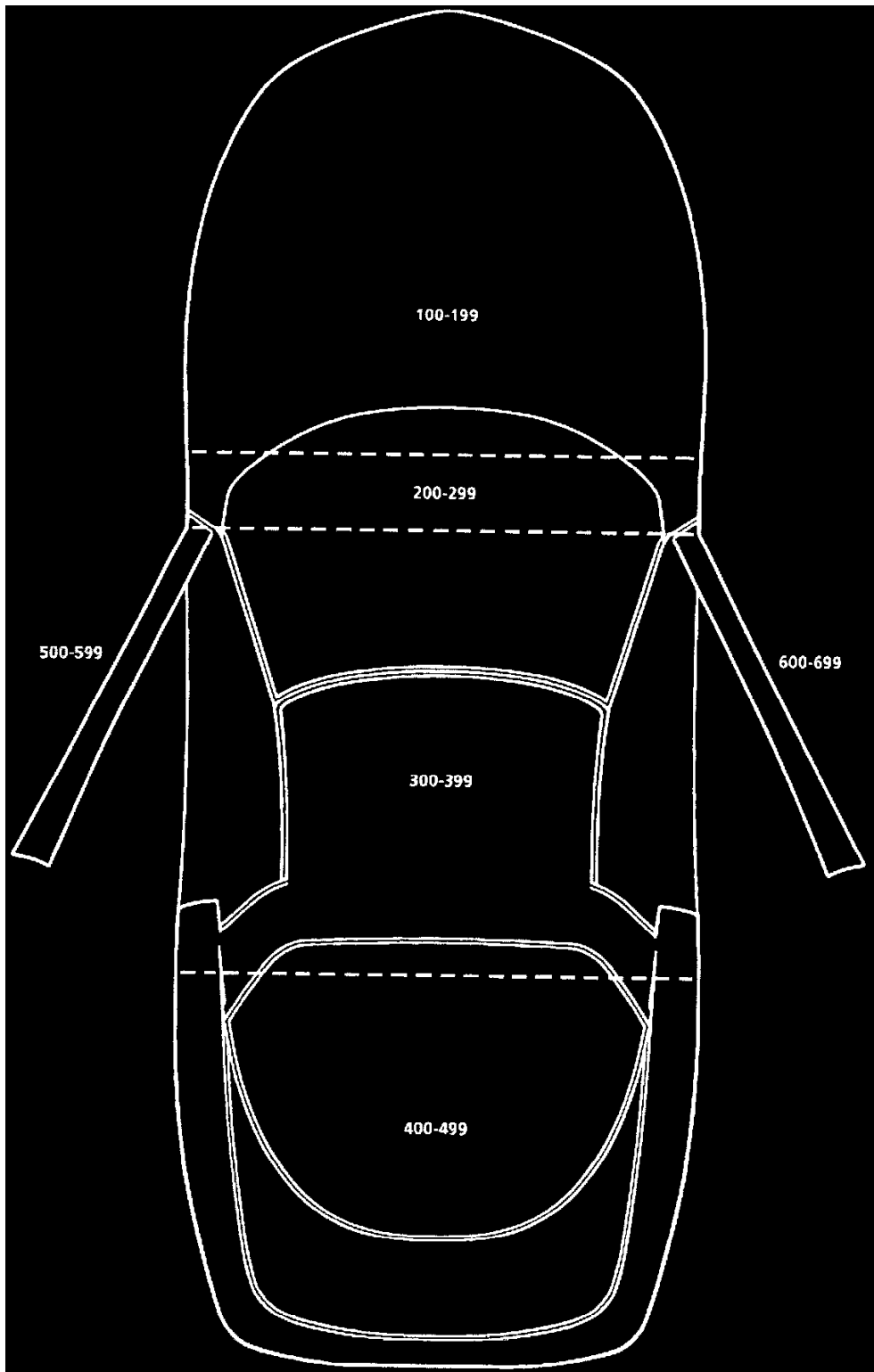


Center Rear On Roof Panel



LH Rear Cargo Compartment

Vehicle Zoning - Ground Identification



Vehicle Zoning

CALLOUT NUMBERS (For Splices, Connectors and Pass Thru Grommets)	ZONE DESCRIPTION
100-199	All forward of and including dash panel
200-299	Within Instrument Panel area
300-399	Passenger Compartment, forward of hatch
400-499	Hatch area, to rear of vehicle
500-599	To and within left door
600-699	To and within right door

Zoning Description

Vehicle Zoning

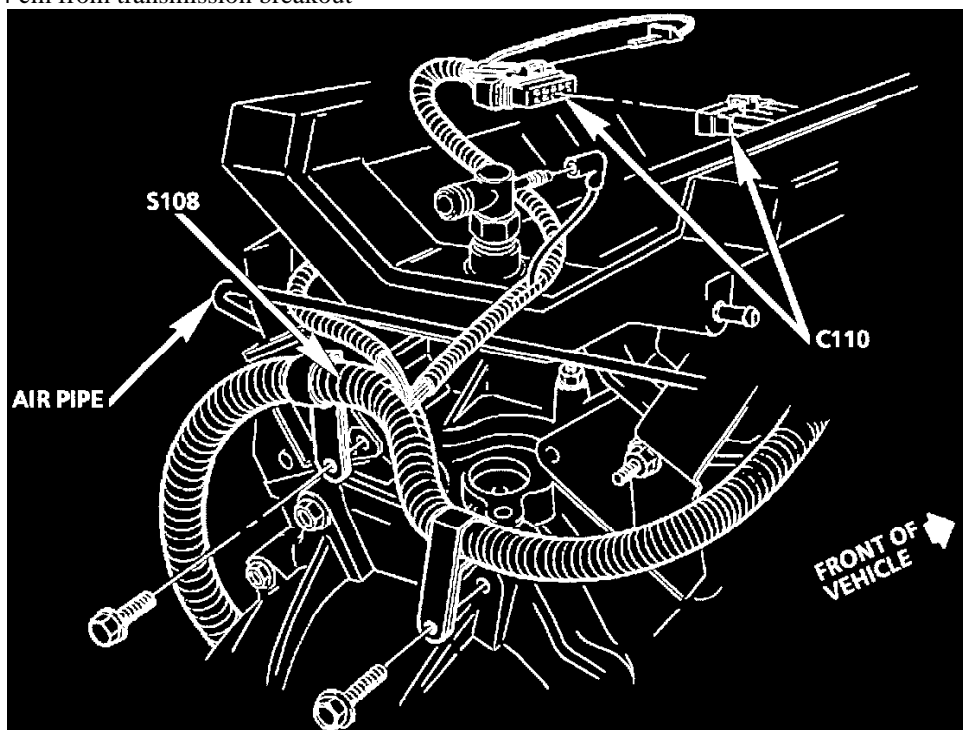
S103
Injector jumper harness, approx. 7 cm from LH branch breakout

S104
Injector jumper harness, approx. 9 cm from injector 6.

S105
Engine harness, approx. 29 cm from main branch and ECM breakout.

S106
Engine harness, approx. 3 cm from clip near ECM, and main branch.

S107
Engine harness, approx 4 cm from transmission breakout



Rear Of Engine (V6 VIN S)

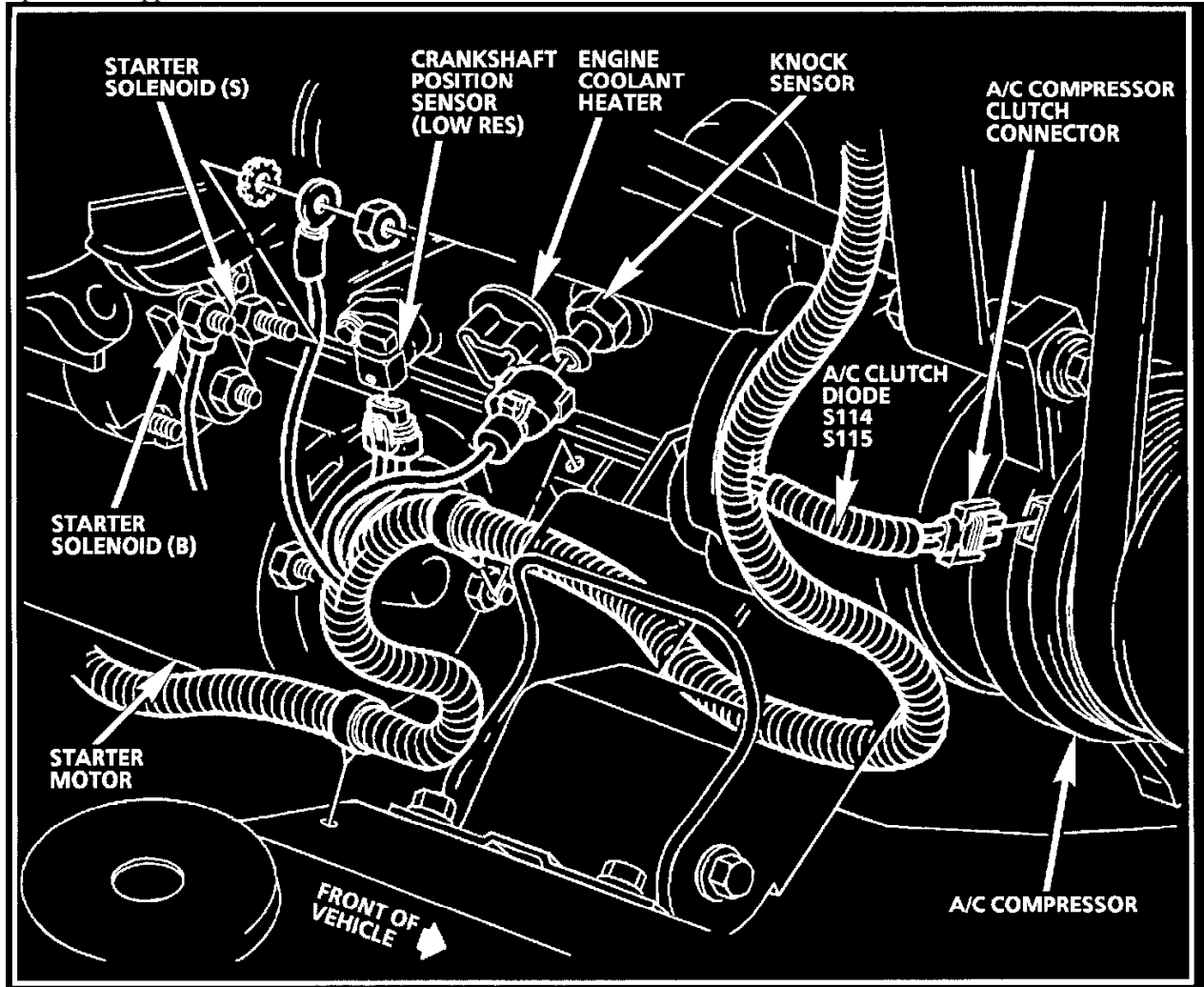
S110
Engine harness, approx 7 cm from main branch and ECM breakout

S111
Forward lamp harness, approx 3 cm from windshield wiper motor module breakout

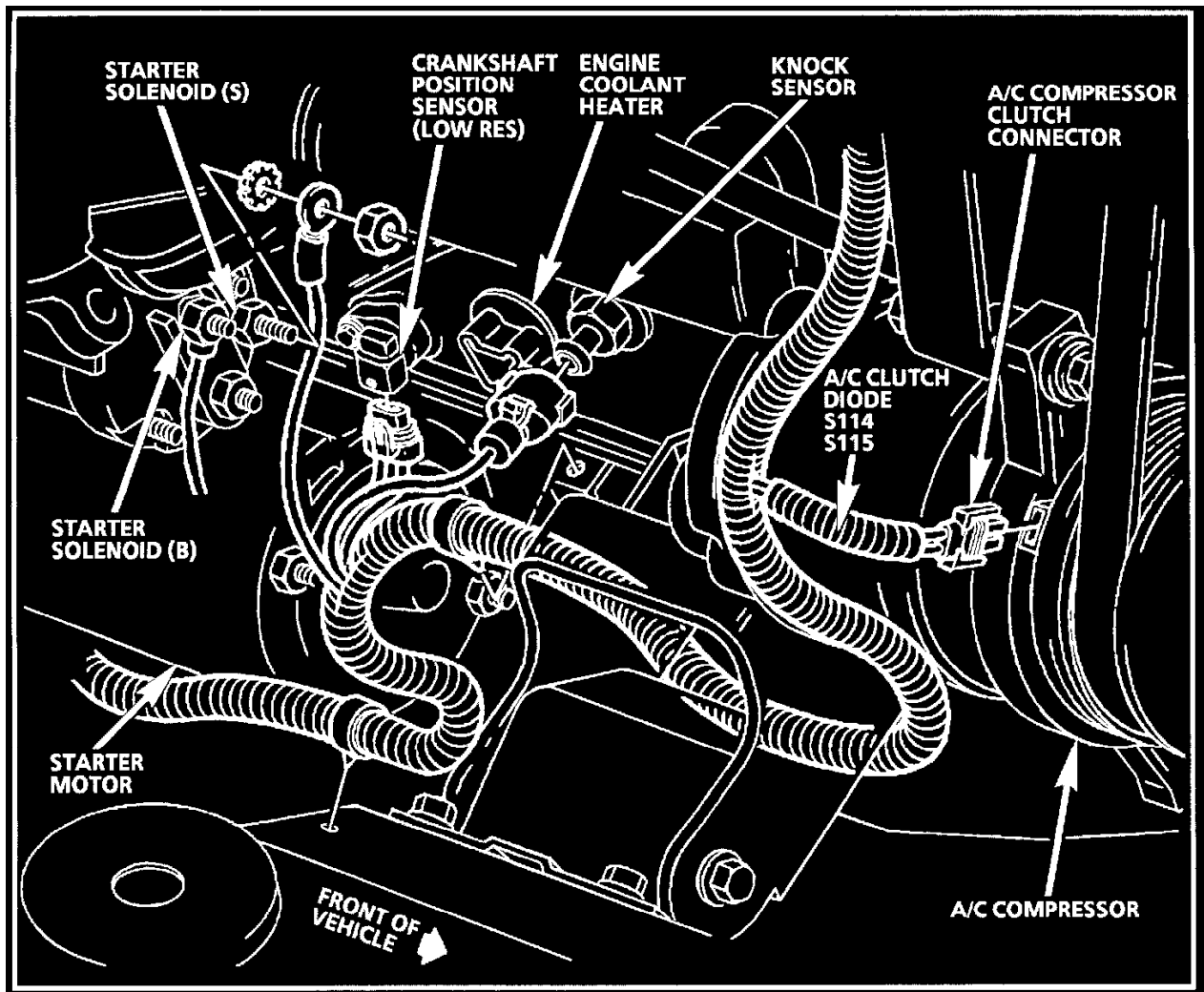
S112
Forward lamp harness, approx 10 cm from G106 breakout

S113

Forward lamp harness, approx 13 cm from electrical center breakout



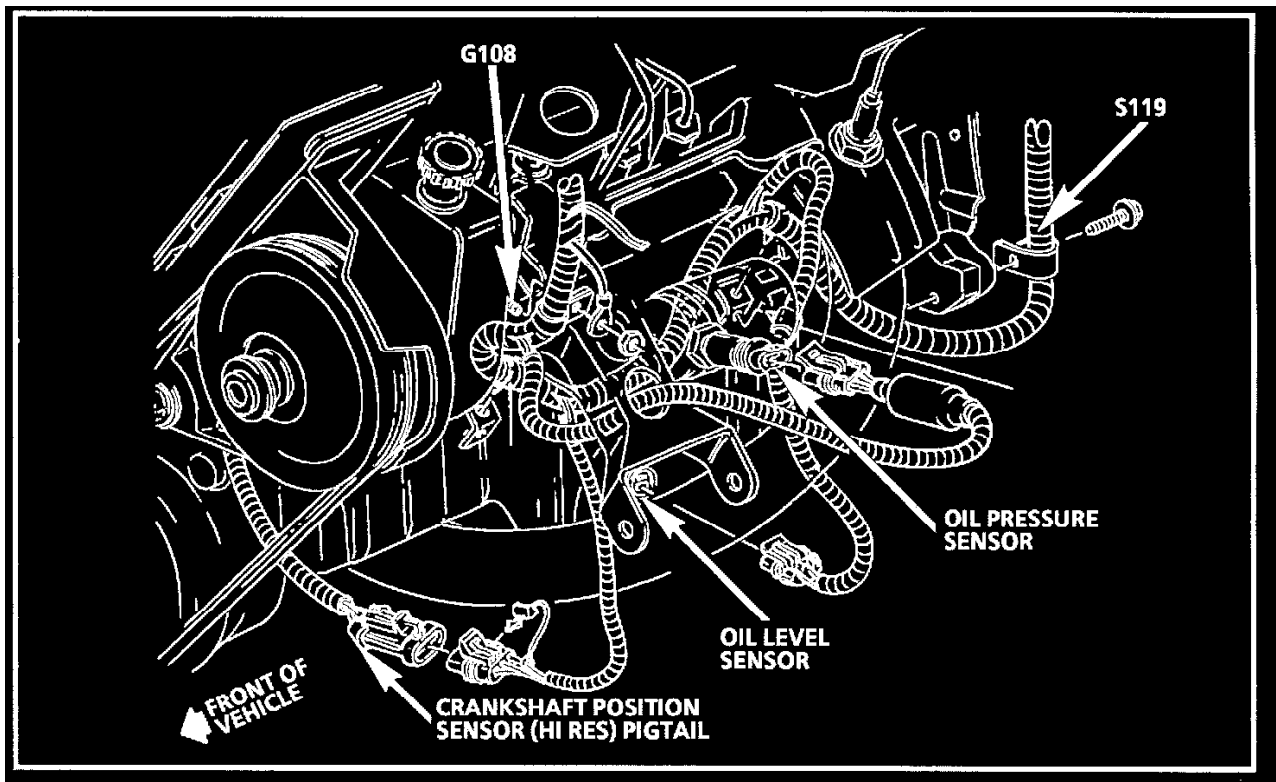
RH Side Of Engine (V6 VIN S)



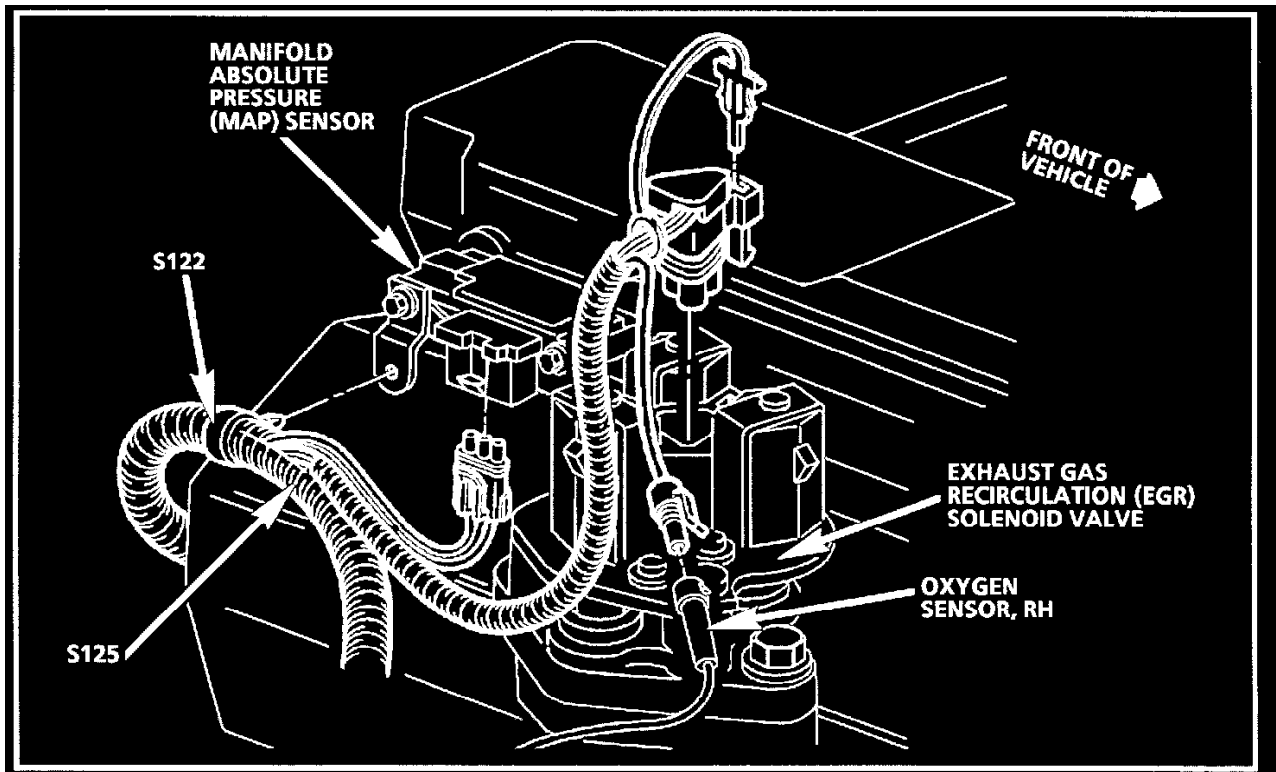
RH Side Of Engine (V6 VIN S)

S117
Engine harness, approx 13 cm from main branch and ECM breakout

S118
Engine harness, approx 26 cm from main branch and ECM breakout



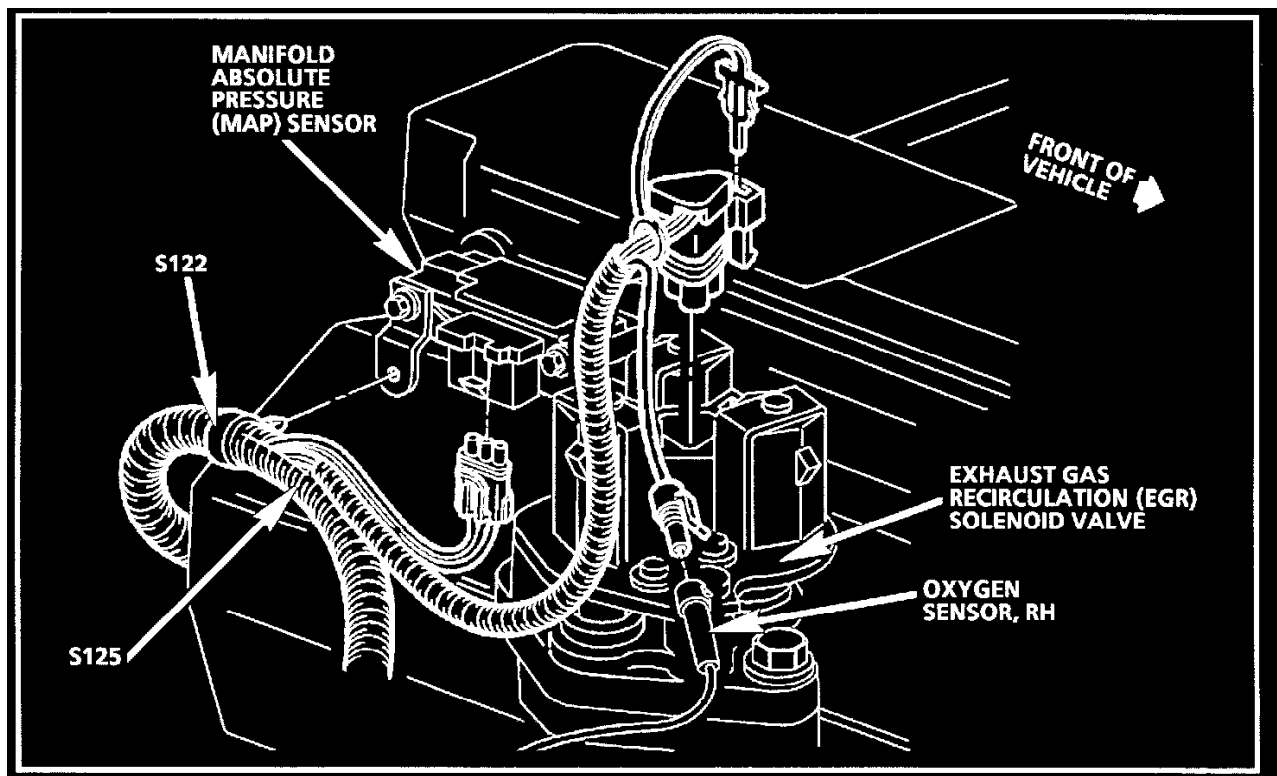
LH Side Of Engine



Top Rear RH Side Of Engine (V6 VIN S)

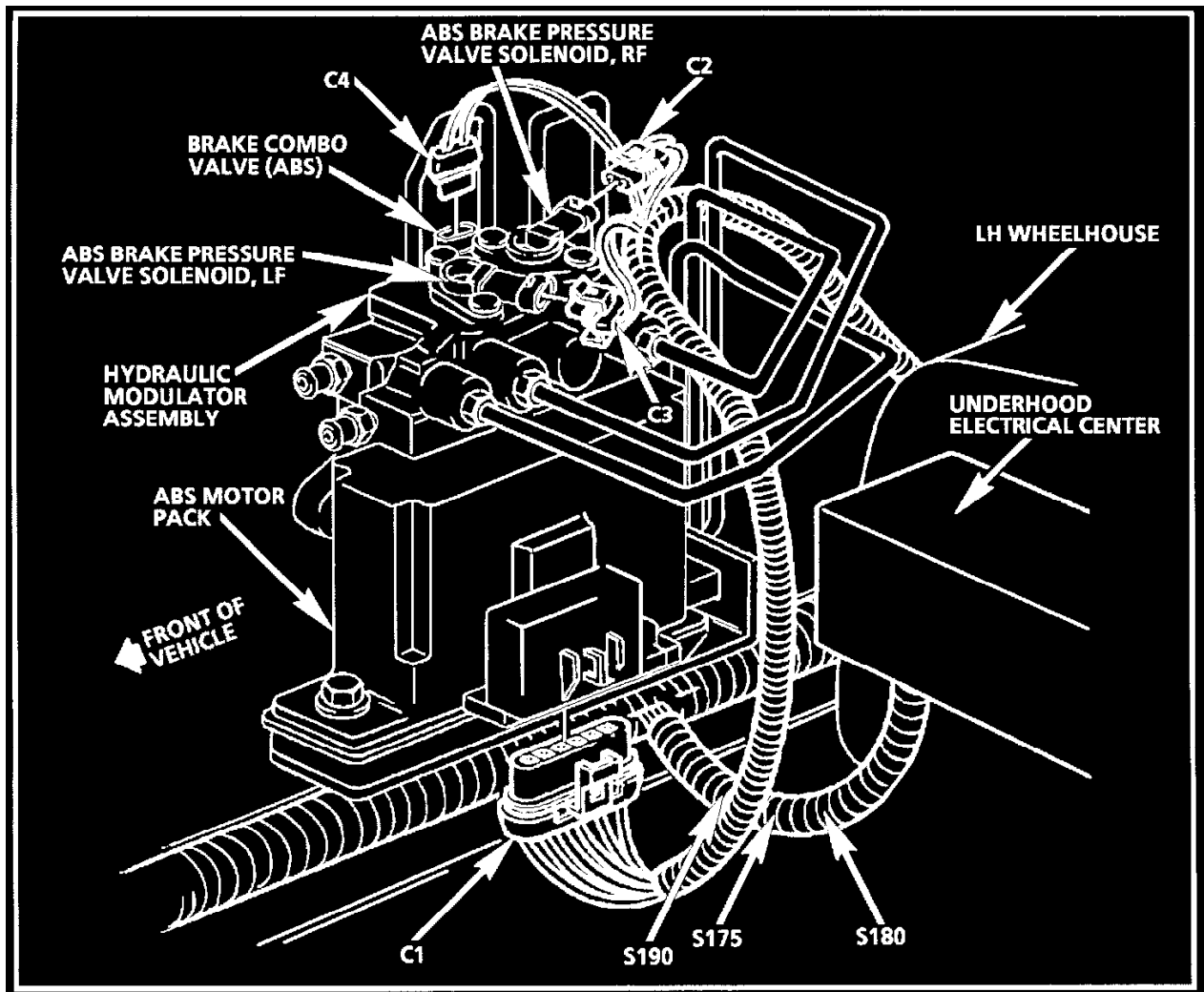
S124

Engine harness, approx 1 cm from clip near ECM and main branch

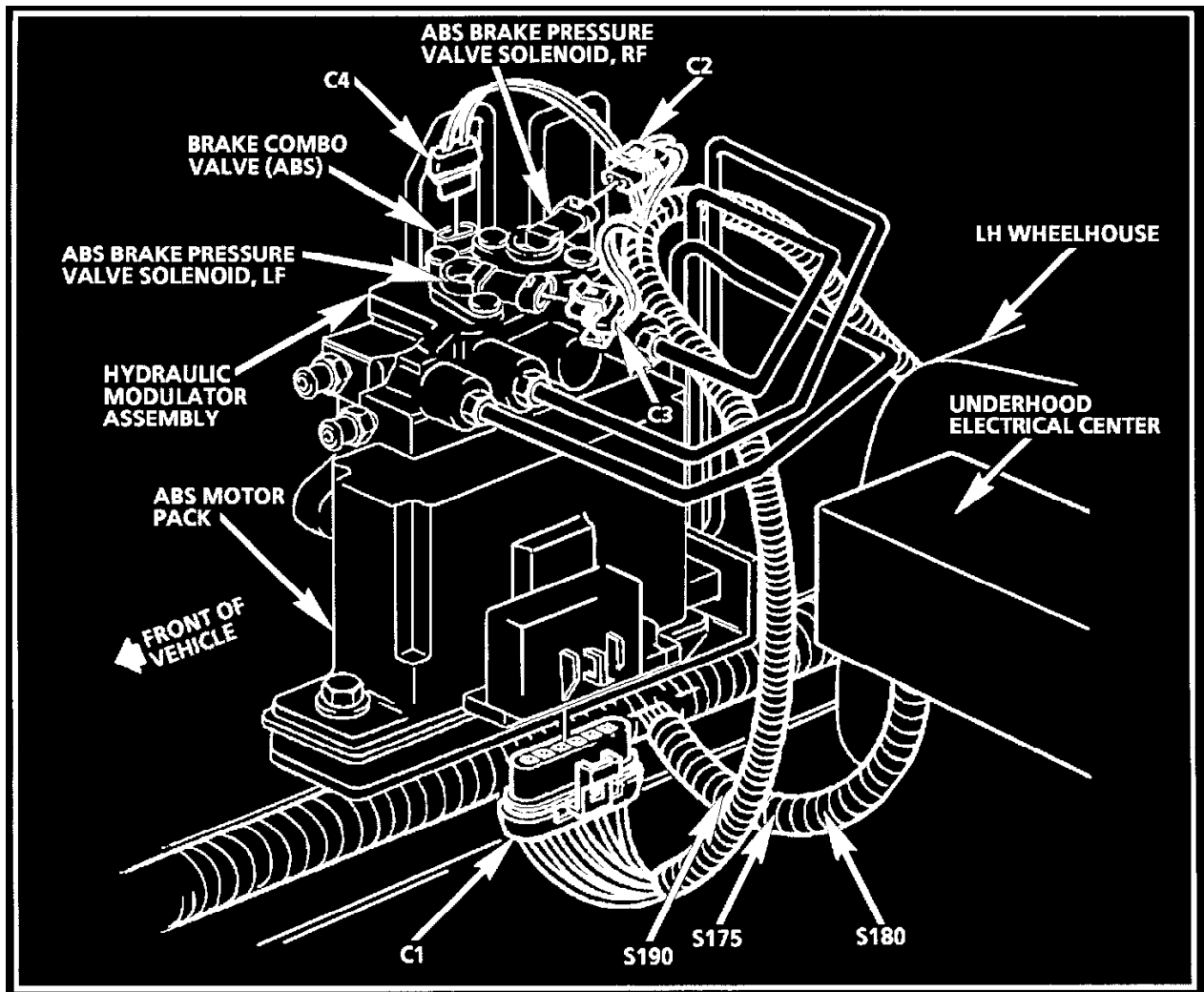


Top Rear RH Side Of Engine (V6 VIN S)

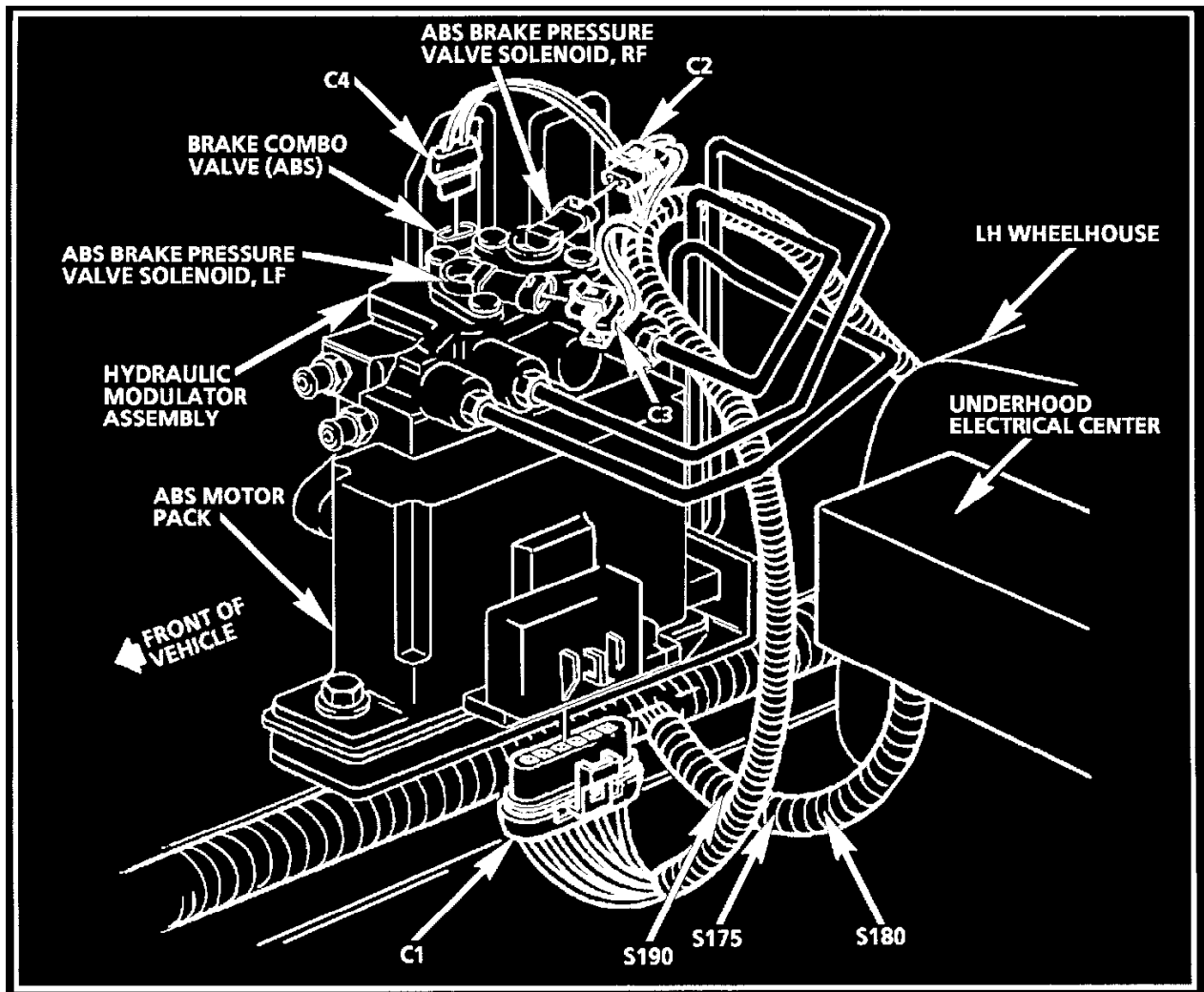
- S127**
Engine harness approx 7 cm from RH branch
- S128**
Engine harness, approx 36 cm inboard of P110
- S131**
Engine harness, approx 13 cm from RH branch
- S150**
Forward lamp harness, approx 7 cm forward of electrical center breakout, on lighting branch
- S152**
Forward lamp Harness, approx 3 cm from electrical center breakout
- S153**
Forward lamp harness, at air pump breakout
- S158**
Forward lamp harness, approx 7 cm from breakout on horn branch
- S160**
Forward lamp harness, approx 4 cm from cruise control module breakout
- S165**
Forward lamp harness, approx 7 cm from electrical center breakout



Front LH Side Of Engine Compartment



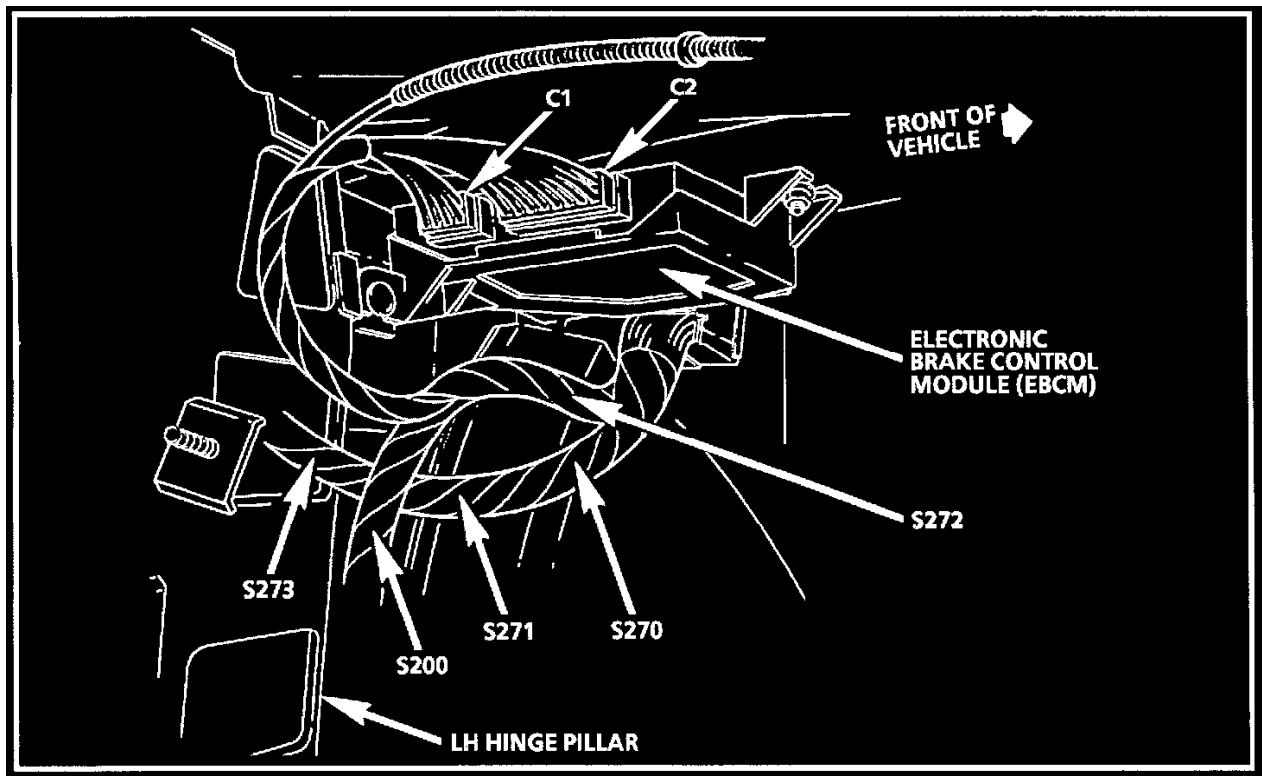
Front LH Side Of Engine Compartment



Front LH Side Of Engine Compartment

S195

Forward lamp harness, approx 2 cm from secondary air pump breakout



Under LH Side Of I/P

S204

I/P harness, approx 8 cm from center console breakout

S205

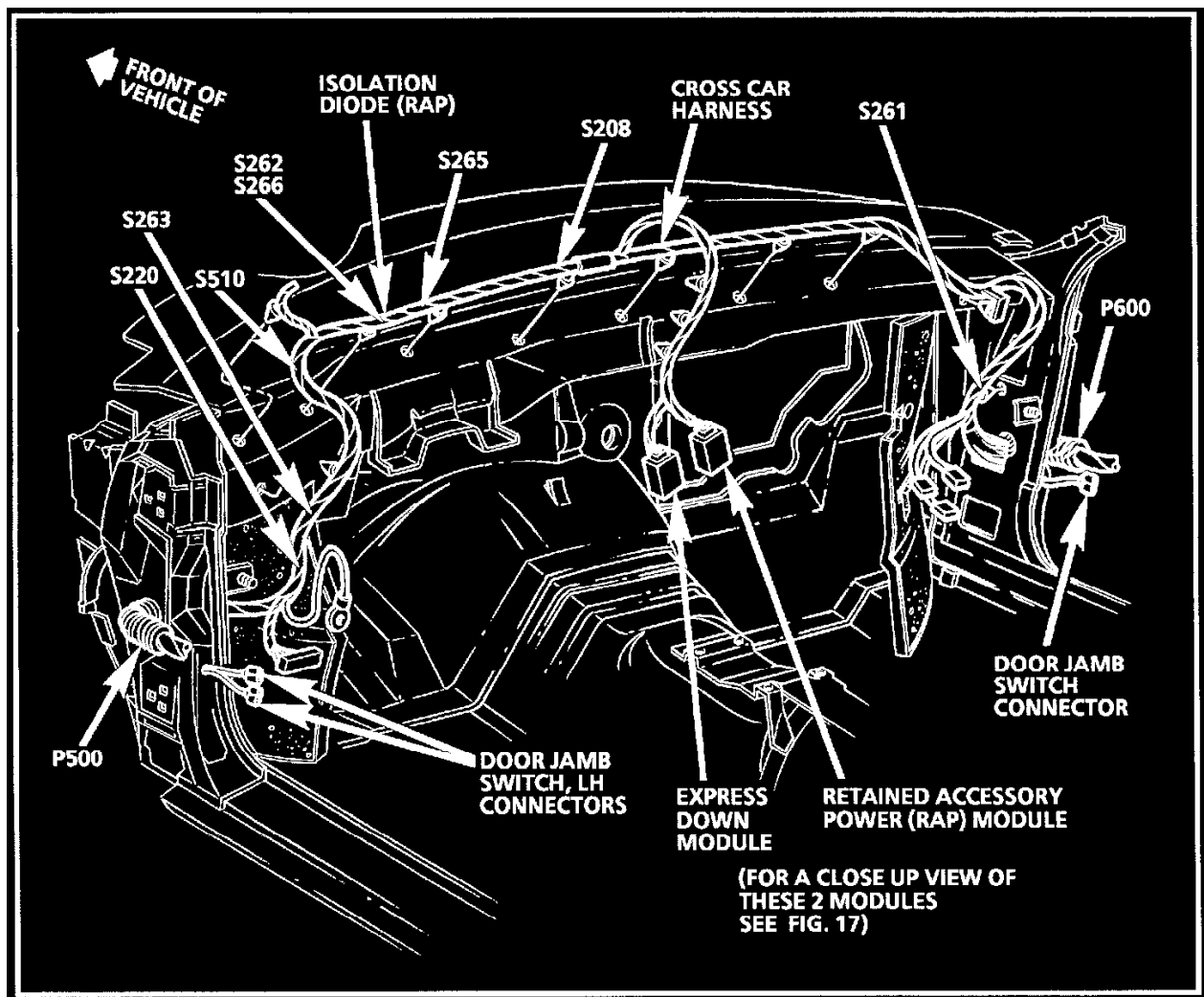
I/P harness, approx 31 cm from convenience center breakout

S206

I/P harness, approx 18 cm from convenience center breakout

S207

I/P harness, approx 4 cm before DLC breakout



Dash Panel With Cross Car Harness

- S209**
I/P harness, approx 24 cm from convenience center breakout
- S210**
I/P harness, approx 34 cm from instrument cluster breakout
- S211**
I/P harness, in center console breakout, approx 10 cm from main harness
- S214**
I/P harness, in Headlamp switch breakout, approx 10 cm from main harness
- S215**
I/P harness, approx 30 cm before DLC breakout
- S216**
I/P harness, approx 5 cm from instrument cluster breakout
- S217**
I/P harness, approx 23 cm before DLC breakout
- S220**
Crosscar harness, approx 7 cm from rearview mirror breakout
- S221**
I/P harness, approx 7 cm from DERM module breakout
- S223**
I/P harness, approx 4 cm before DLC breakout
- S224**
I/P harness, approx 4 cm after RR defog breakout
- S225**

I/P harness, approx 4 cm before DLC breakout

S226

I/P harness, in Headlamp switch breakout, approx 17 cm from main harness

S227

Under RH side of I/P, behind kick panel

S228

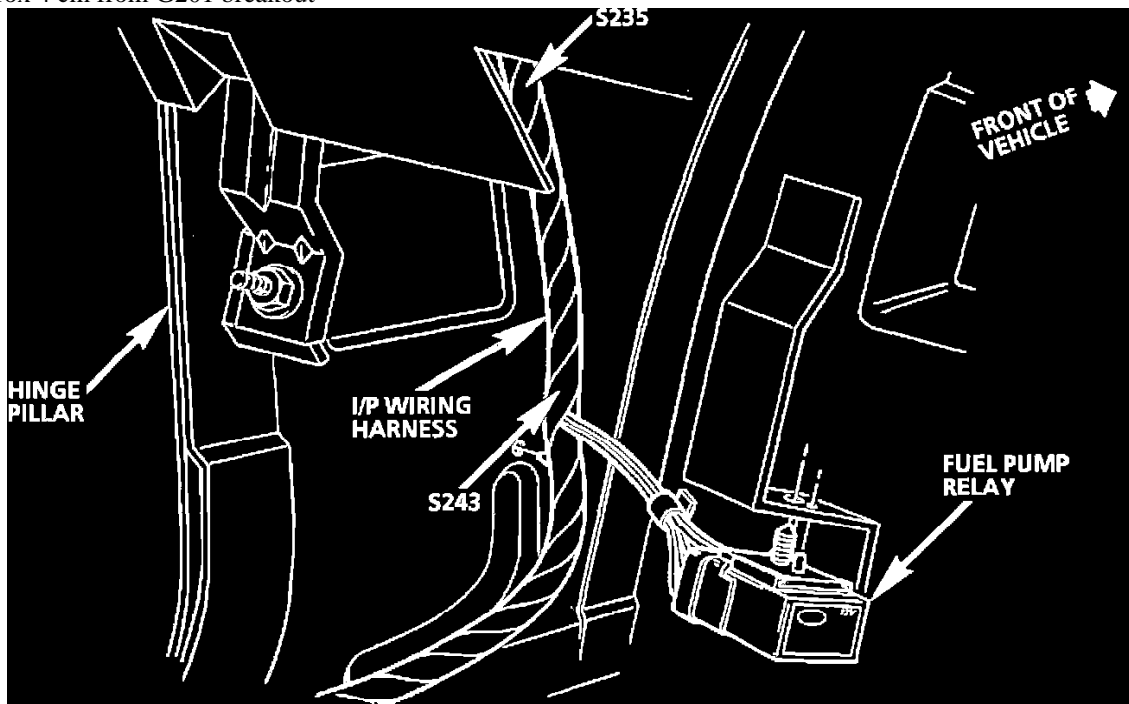
I/P harness, approx 13 cm before DLC breakout

S229

I/P harness, approx 4 cm from center console breakout

S234

I/P harness, approx 4 cm from G201 breakout



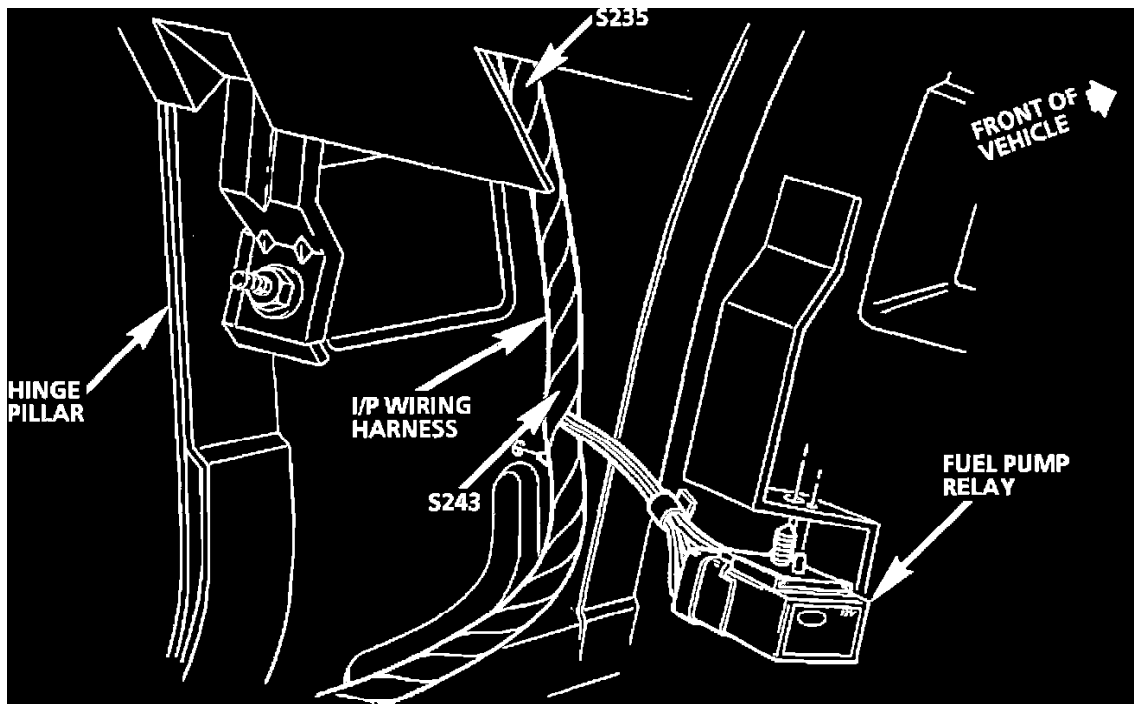
Behind LH Dash Mat

S238

I/P harness, approx 7 cm from center console breakout

S242

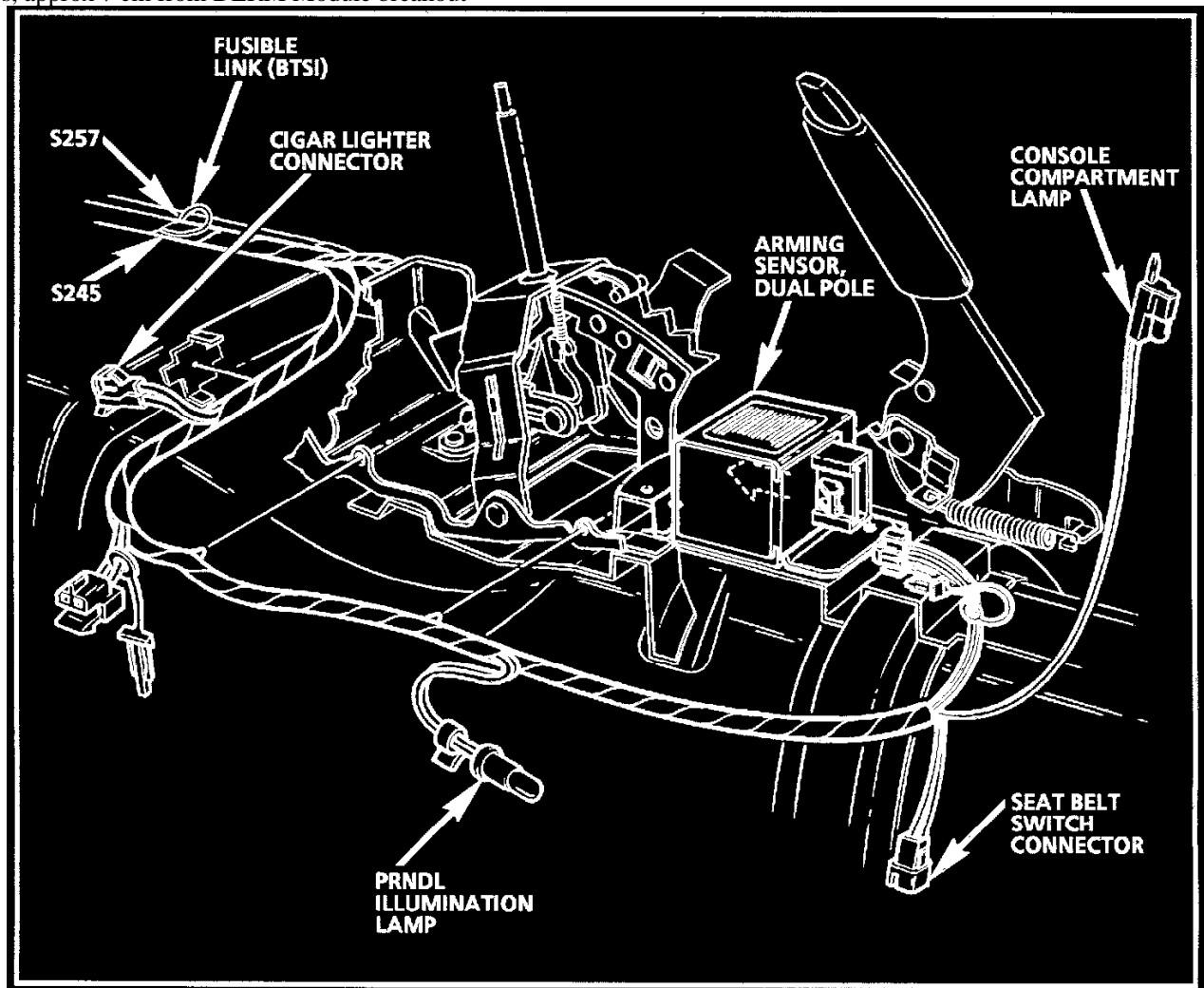
I/P harness, approx 26 cm from instrument cluster conn



Behind LH Dash Mat

S244

I/P harness, approx 7 cm from DERM Module breakout



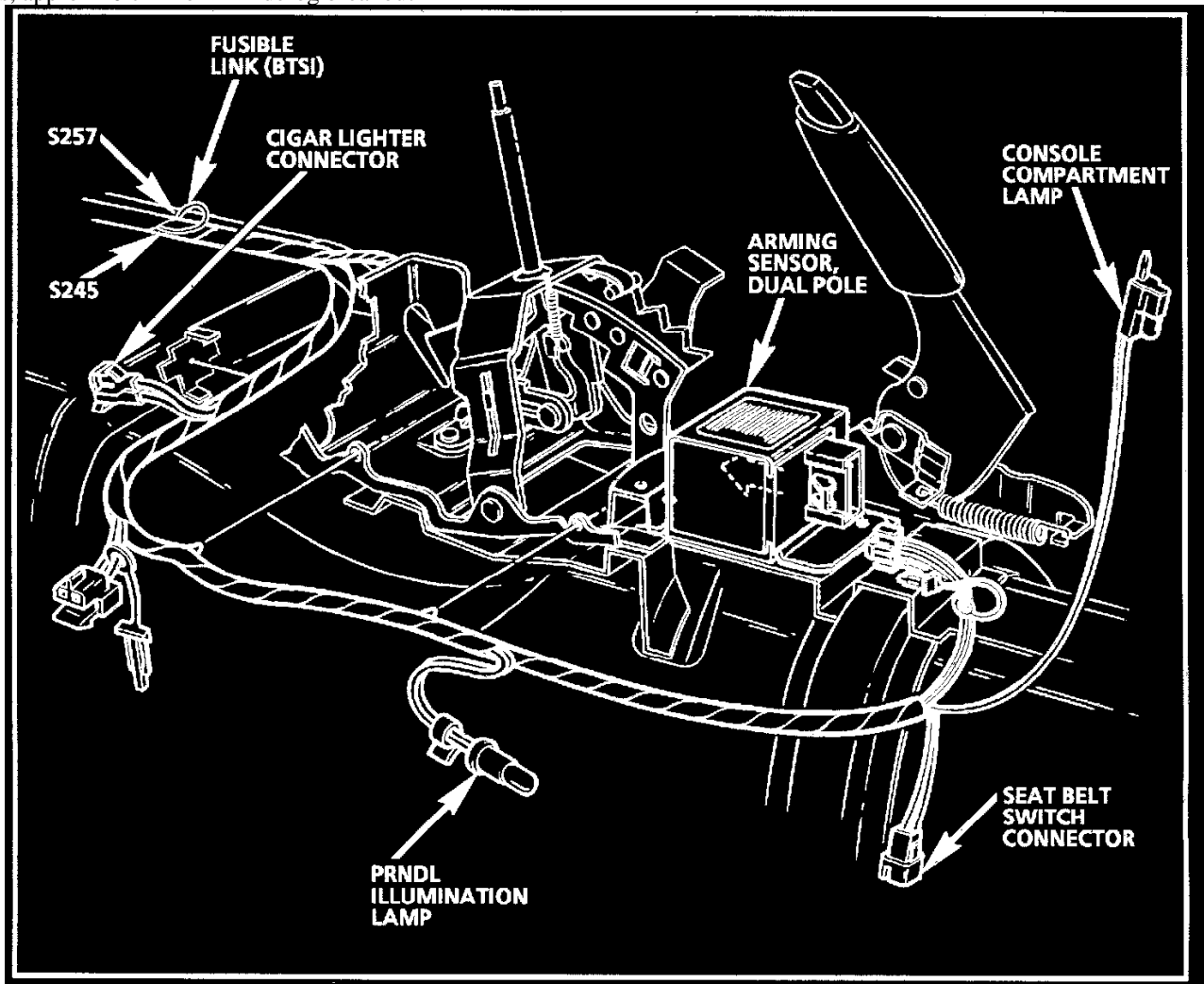
LH Side, Under Console-Automatic (MD8)

S248

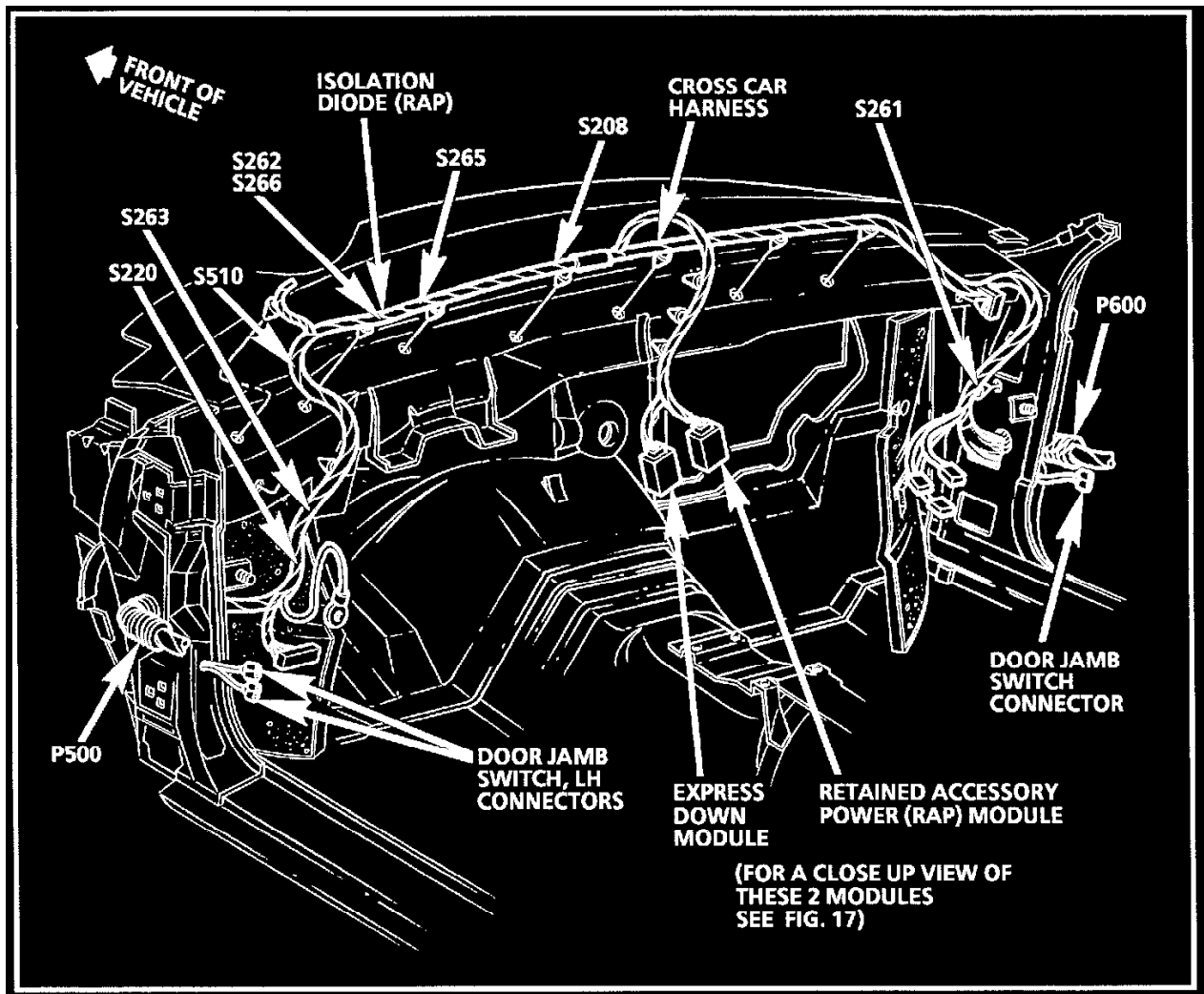
I/P harness, approx 4 cm before RR defog breakout

S252

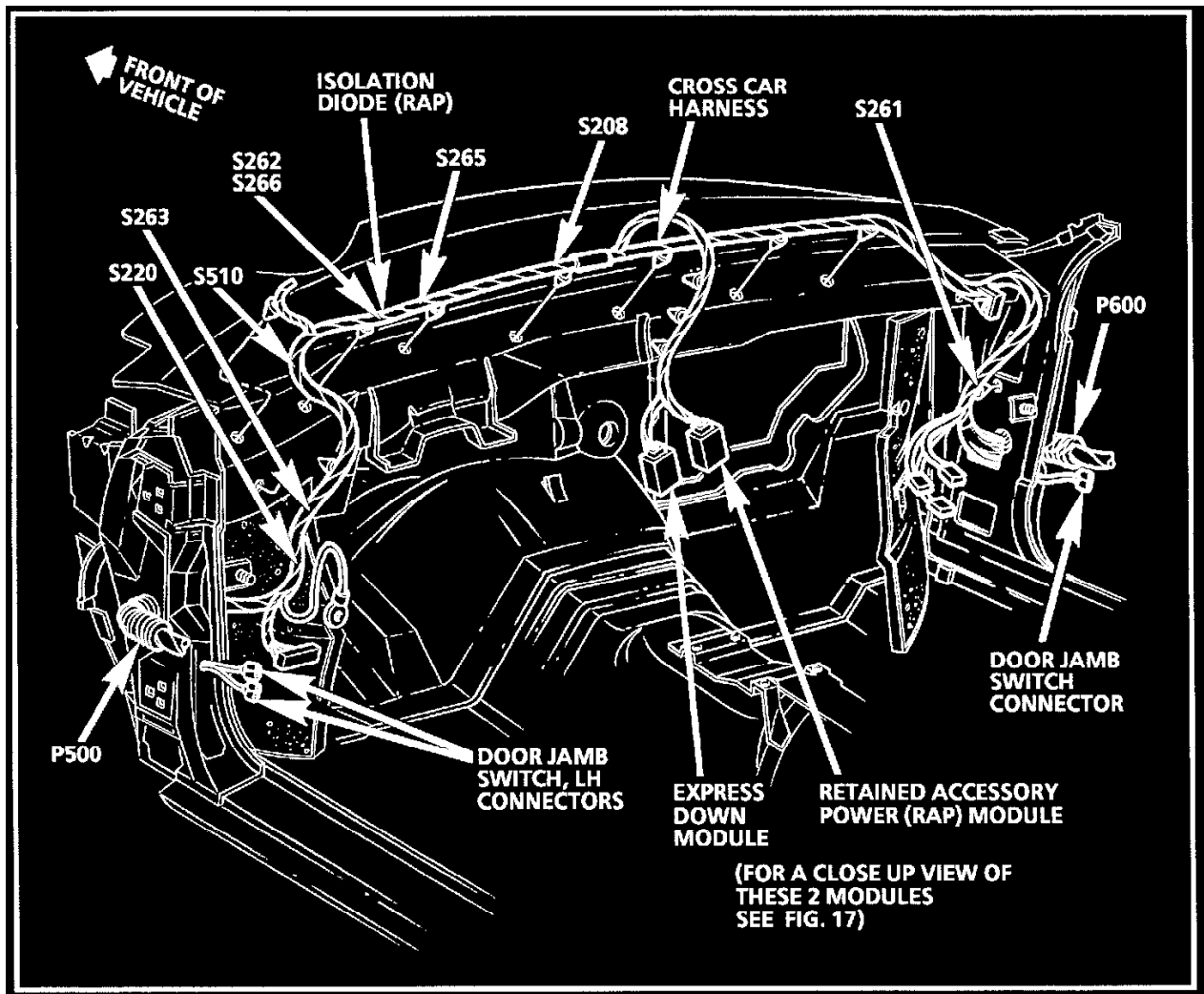
I/P harness, approx 20 cm from RR defog breakout



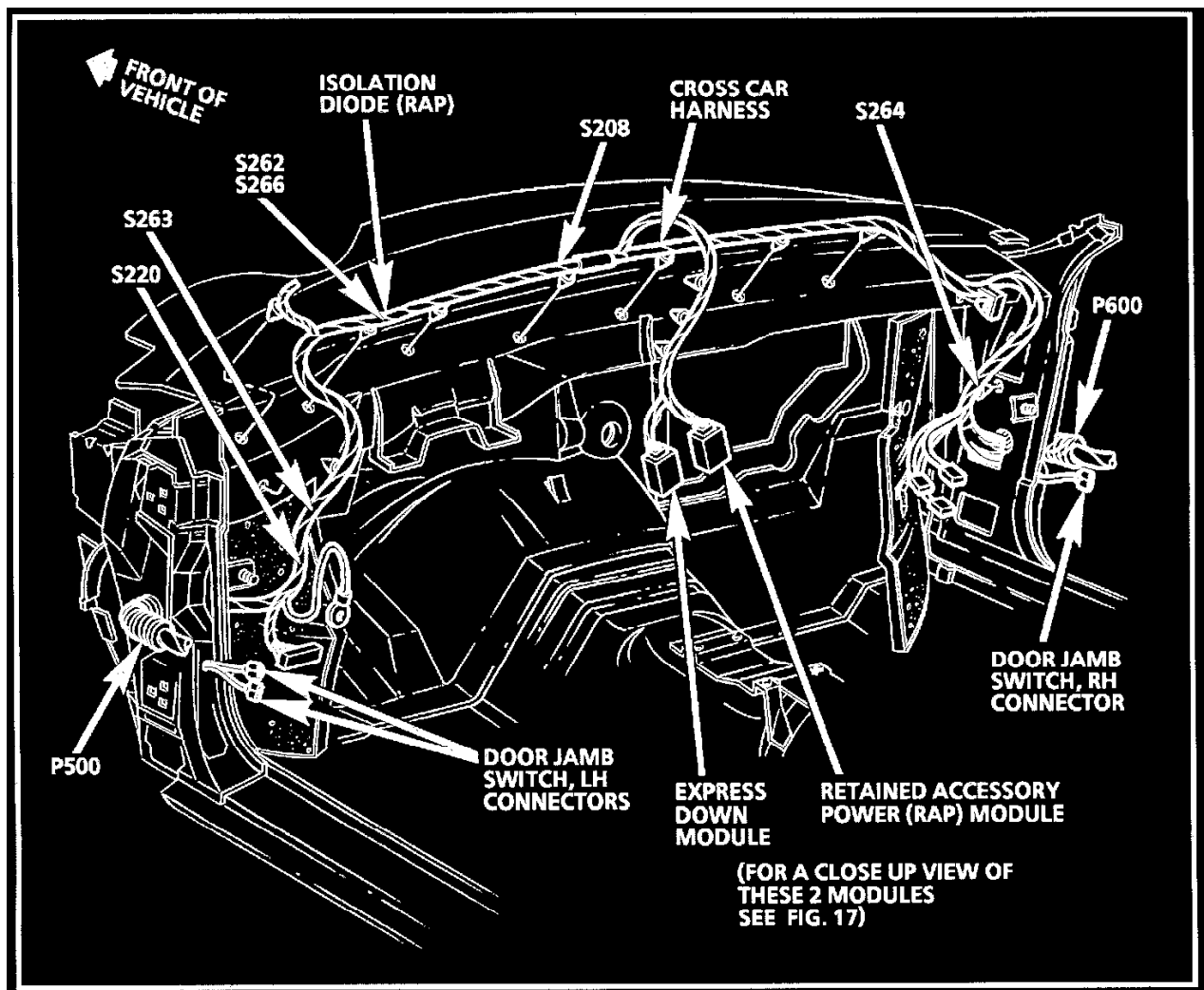
LH Side, Under Console-Automatic (MD8)



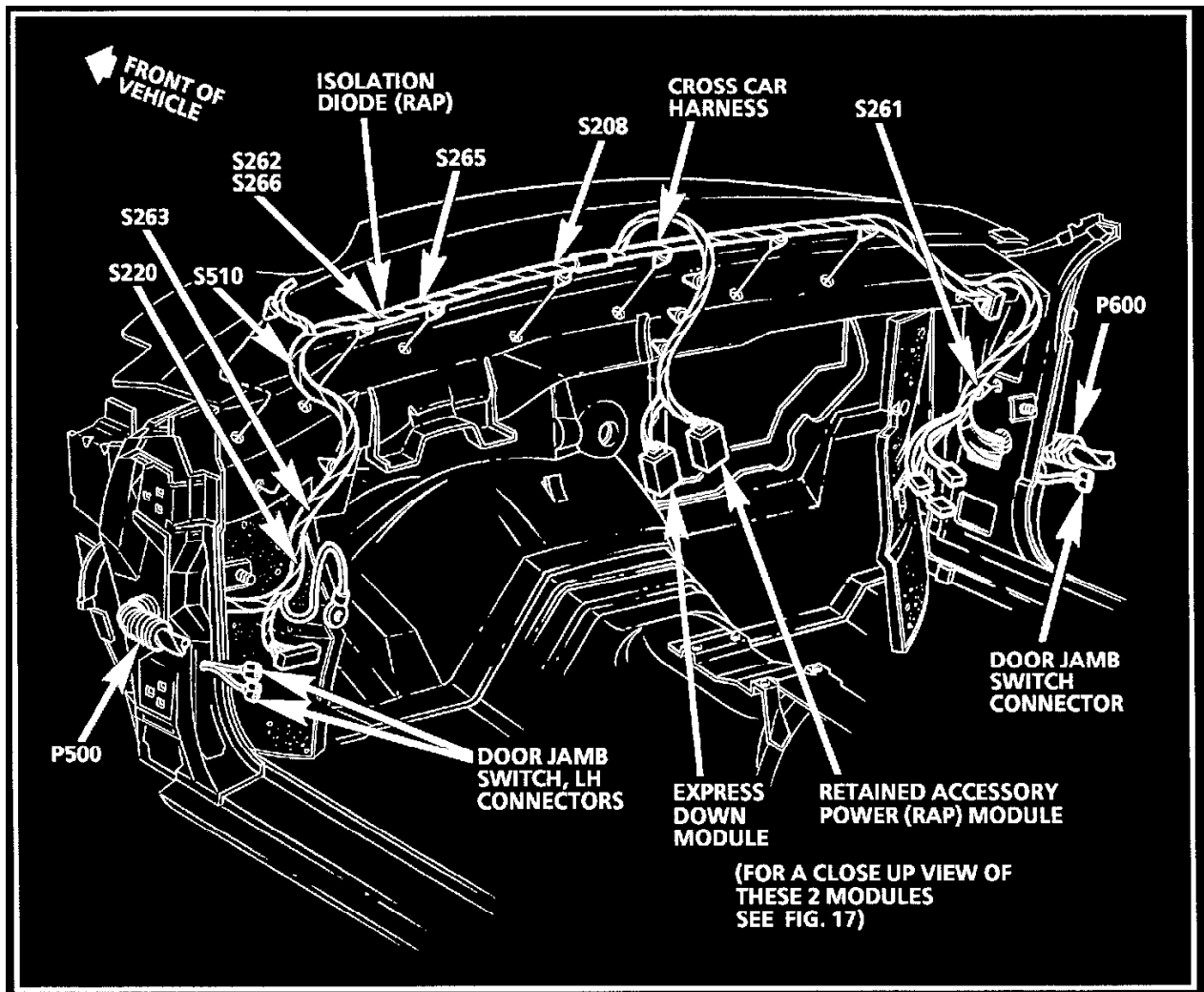
Dash Panel With Cross Car Harness



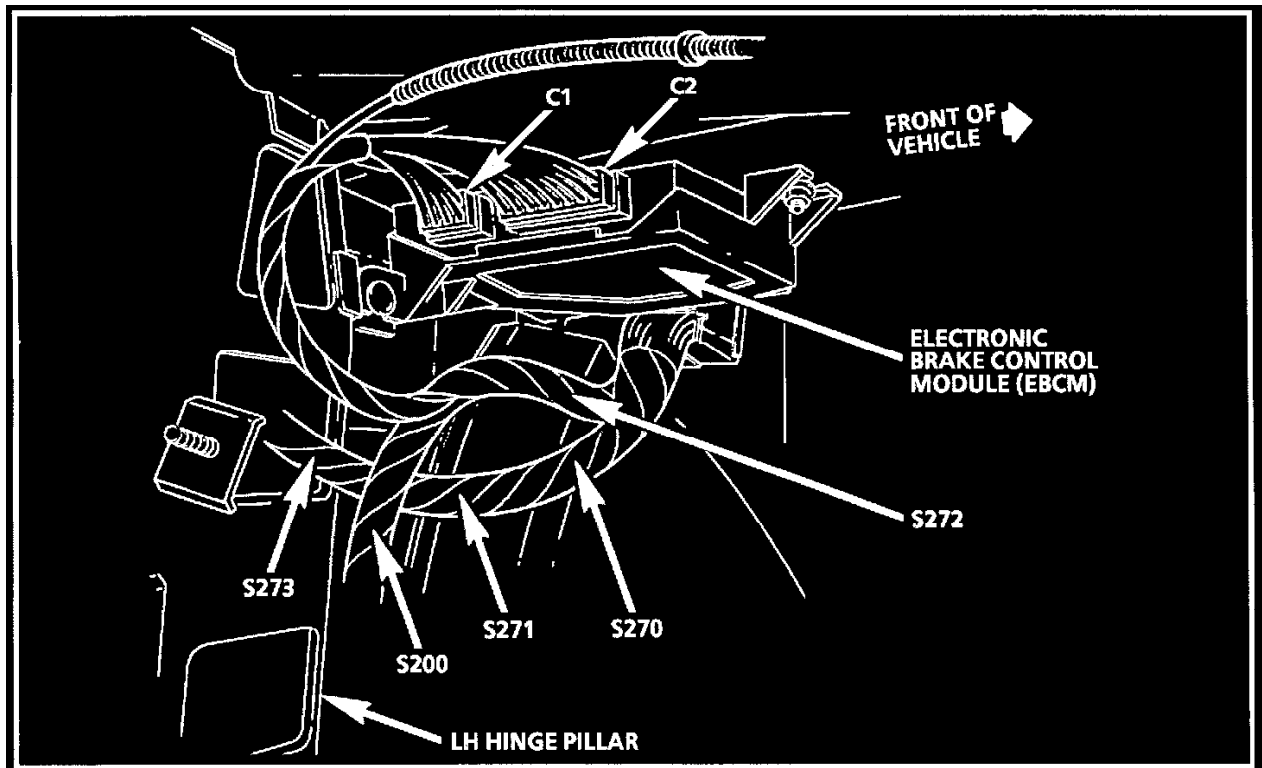
Dash Panel With Cross Car Harness



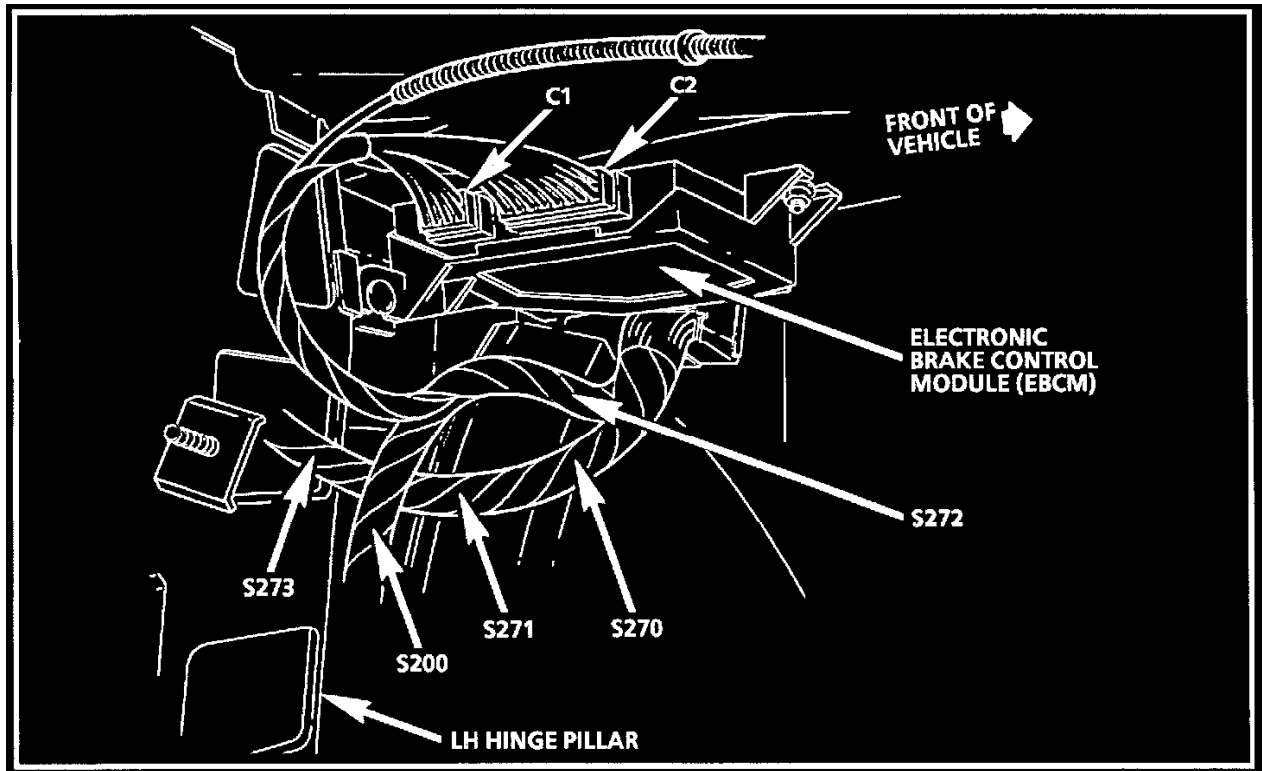
Dash Panel With Cross Car Harness



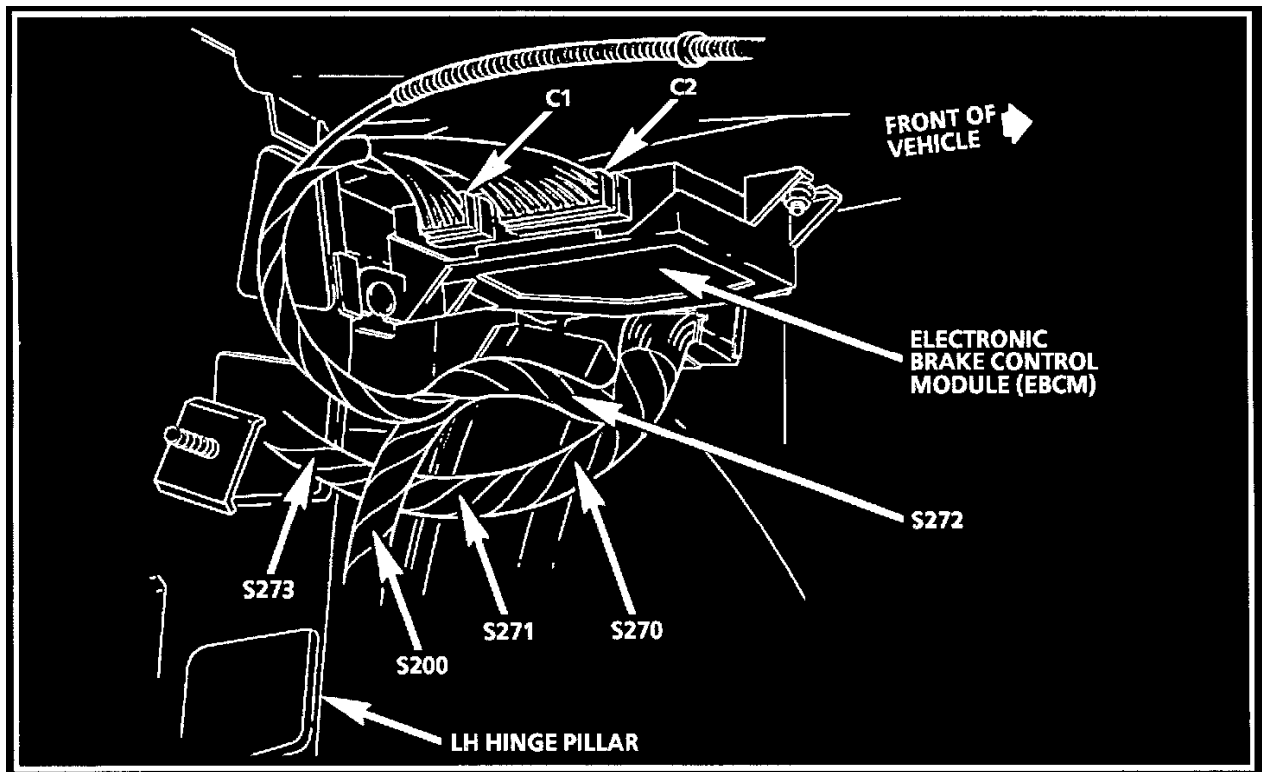
Dash Panel With Cross Car Harness



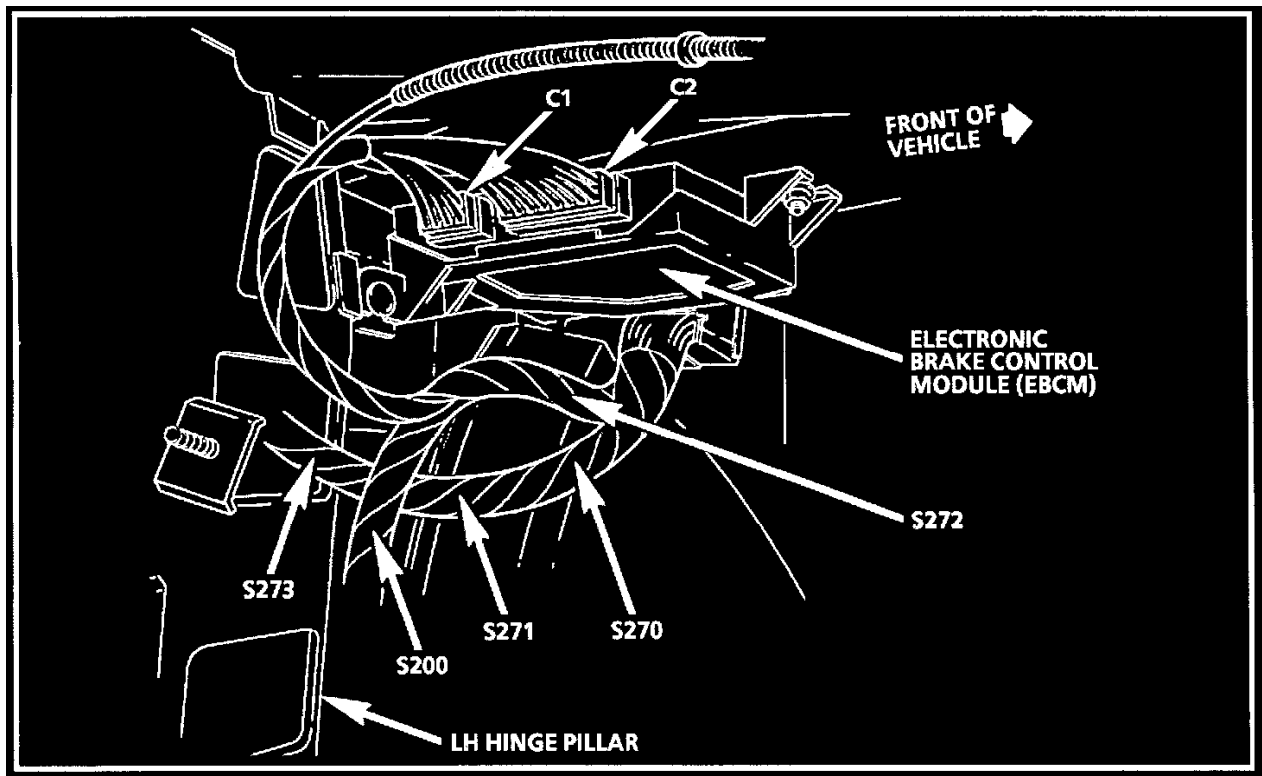
Under LH Side Of I/P



Under LH Side Of I/P

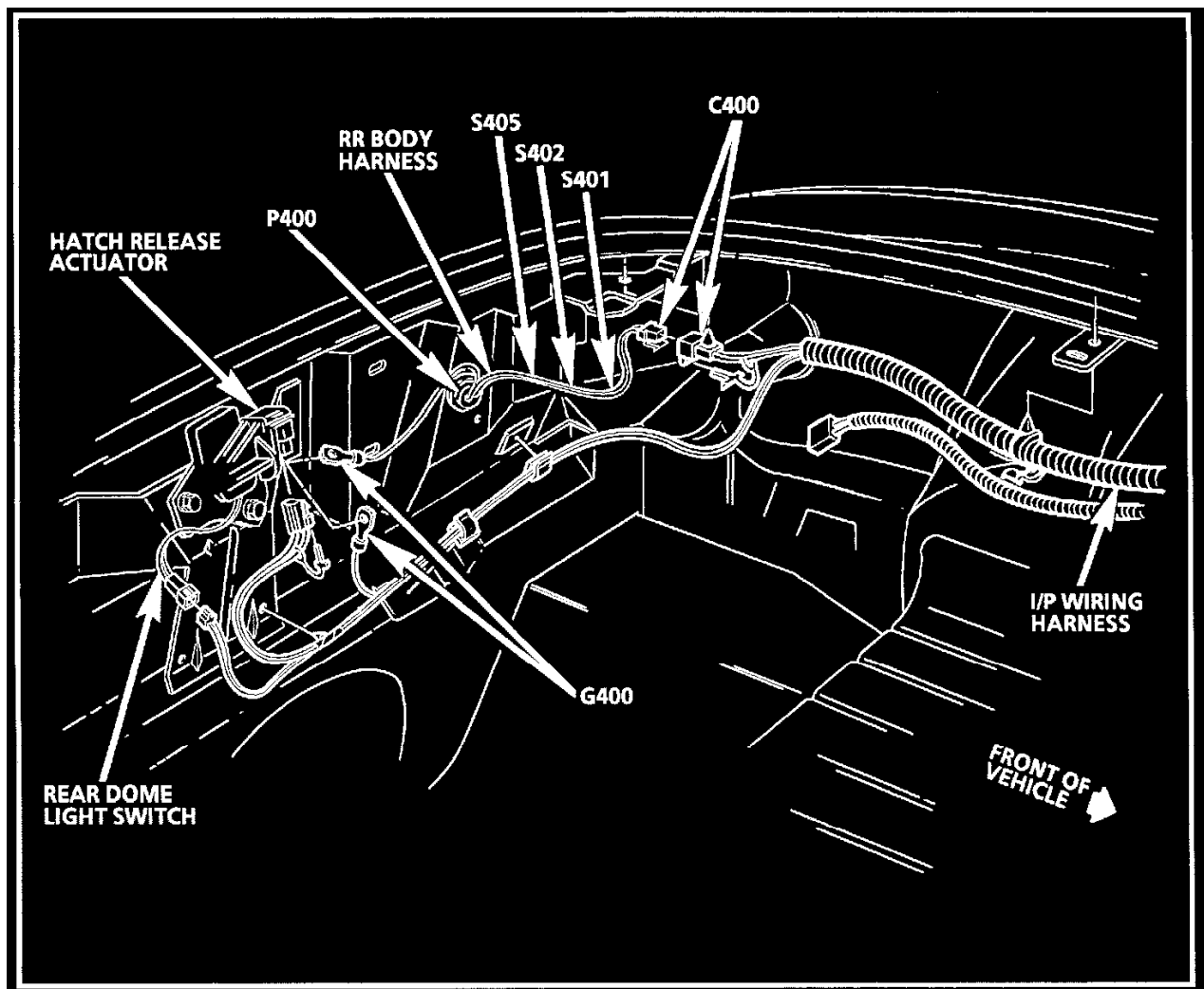


Under LH Side Of I/P

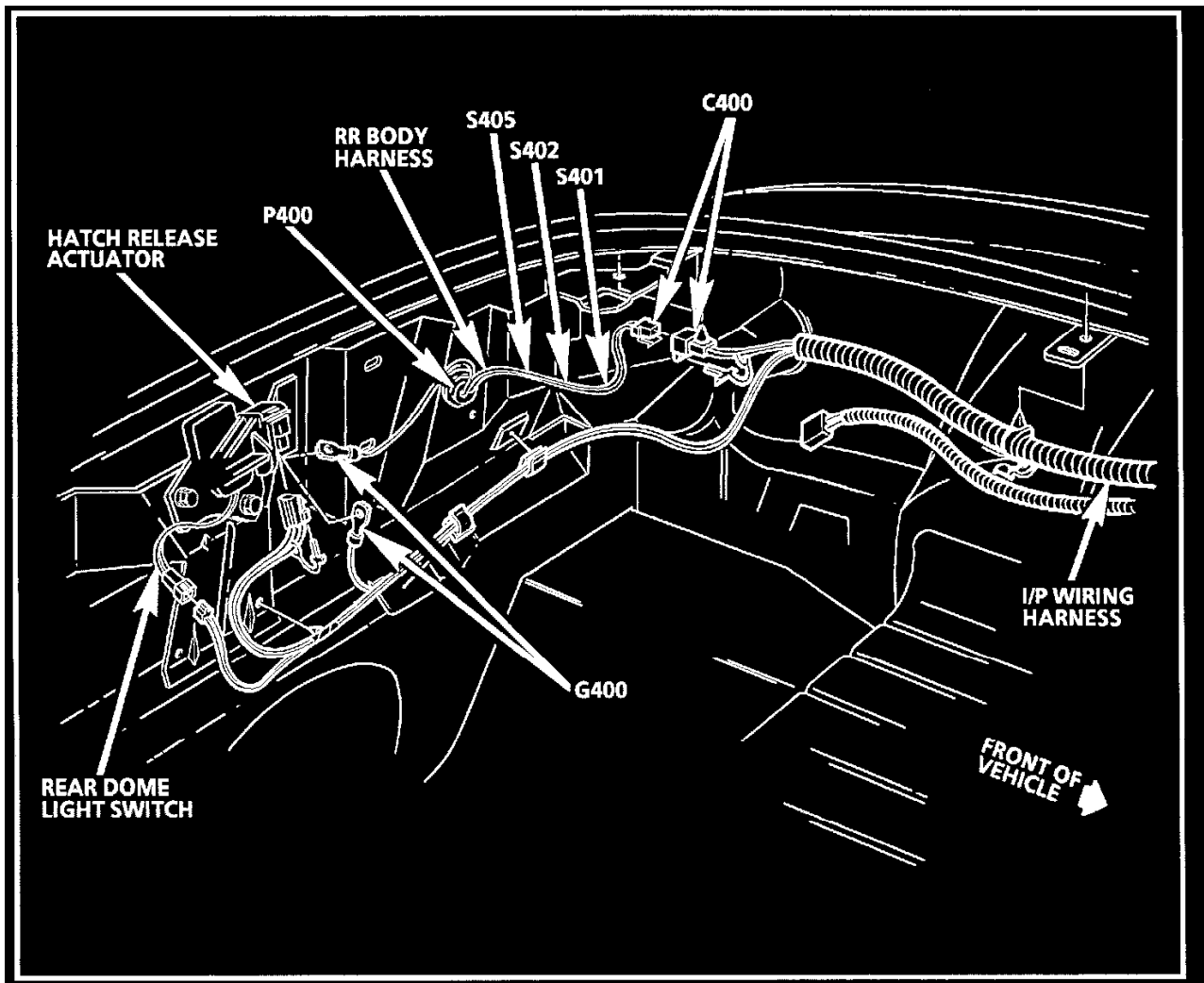


Under LH Side Of I/P

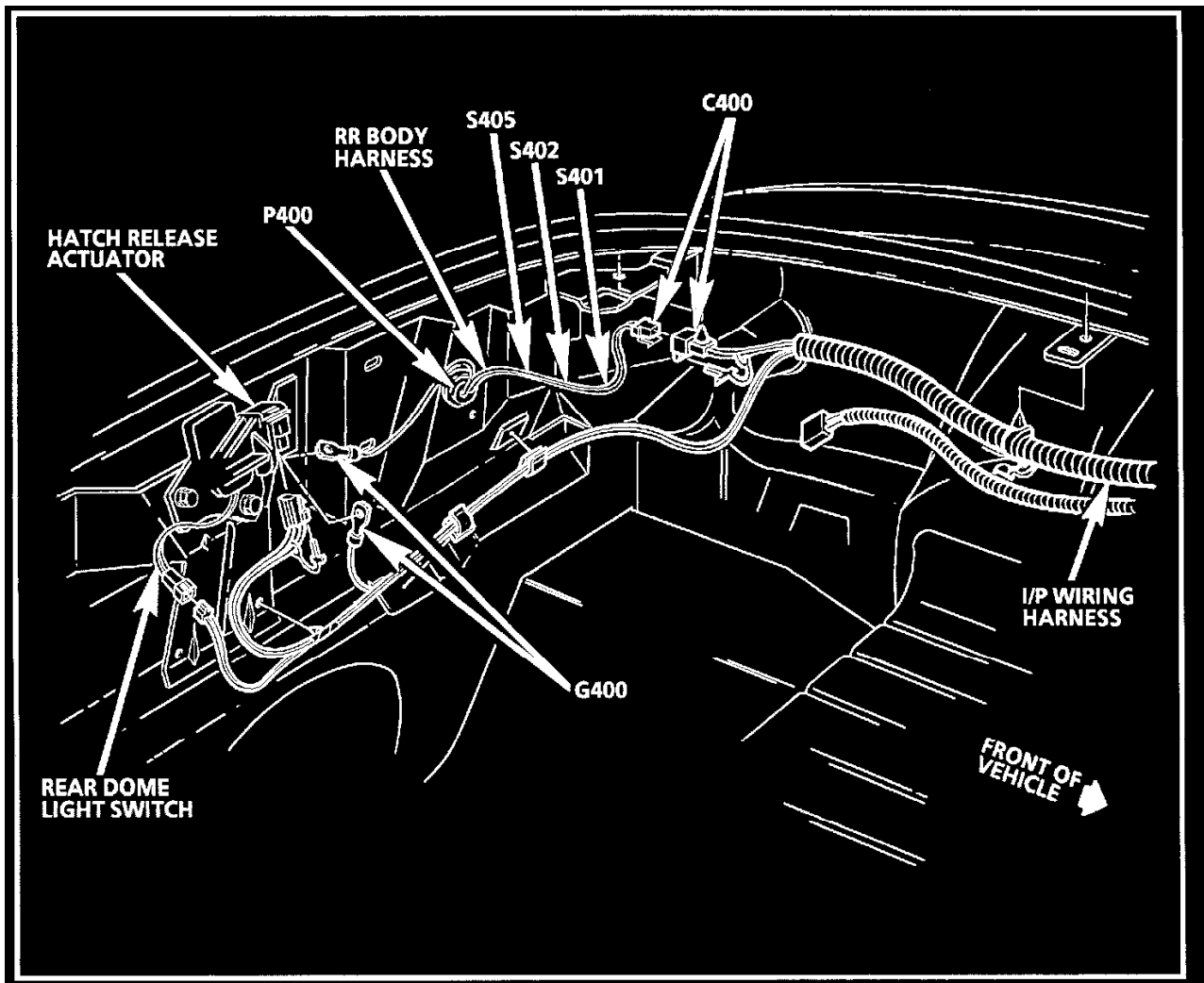
- S308**
I/P harness, approx 39 cm from VATS module conn
- S315**
I/P harness, approx 19 cm from conn C410
- S340**
Drivers seat harness, approx 19 cm from power seat control module connection
- S345**
Drivers seat harness, approx 18 cm from C300
- S350**
Drivers seat harness, approx 11 cm from C300
- S355**
Drivers seat harness, approx 20 cm from solenoid valve assembly conn
- S360**
Drivers seat harness, approx 22 cm from power seat switch conn



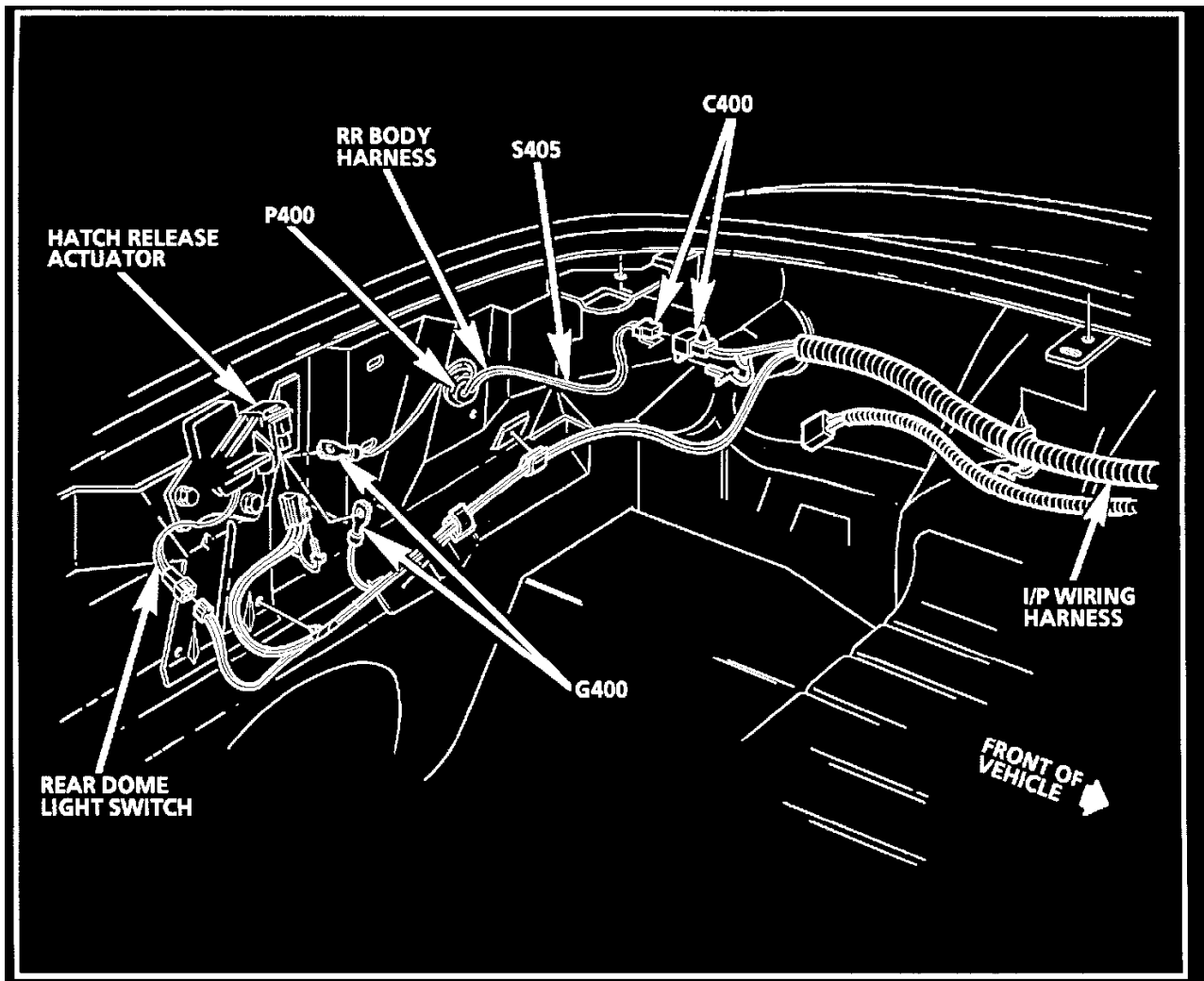
LH Rear Cargo Compartment



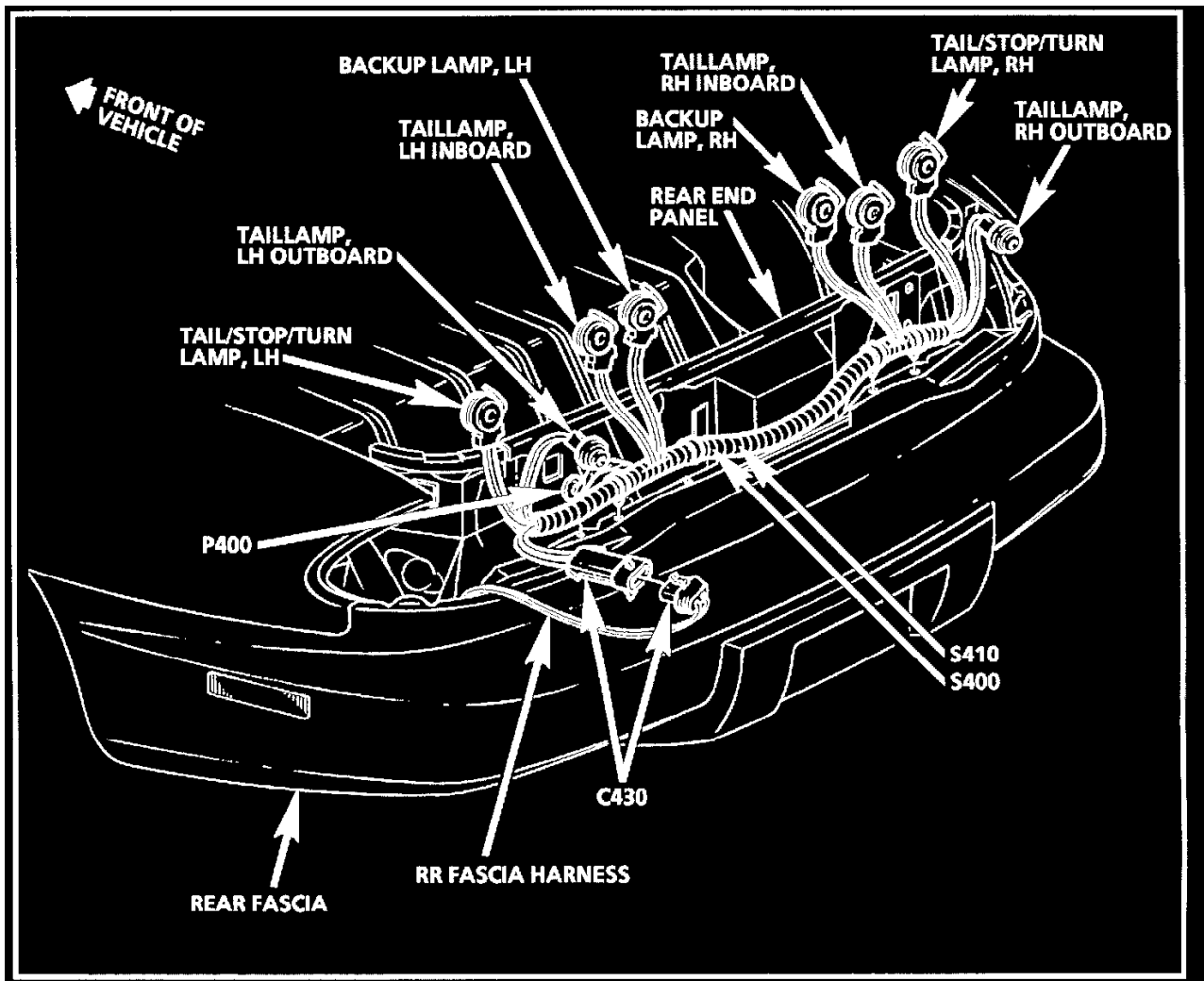
LH Rear Cargo Compartment



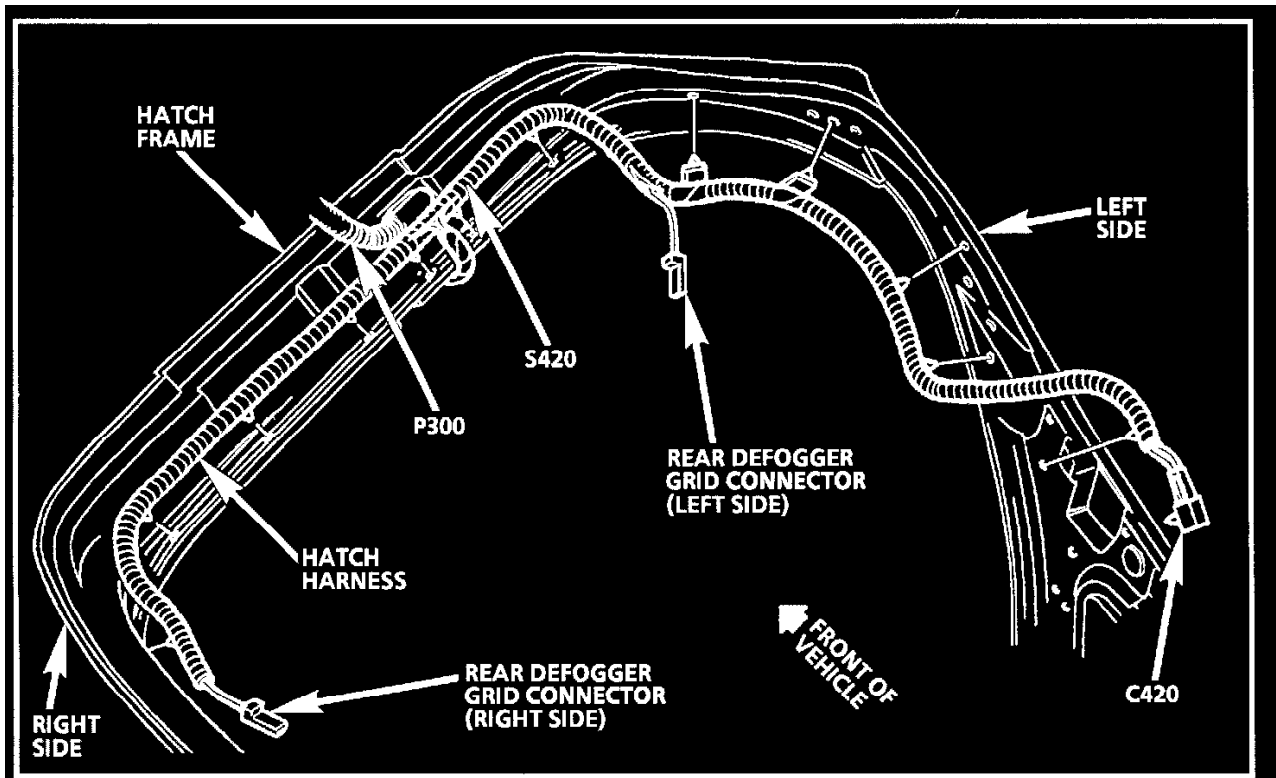
LH Rear Cargo Compartment



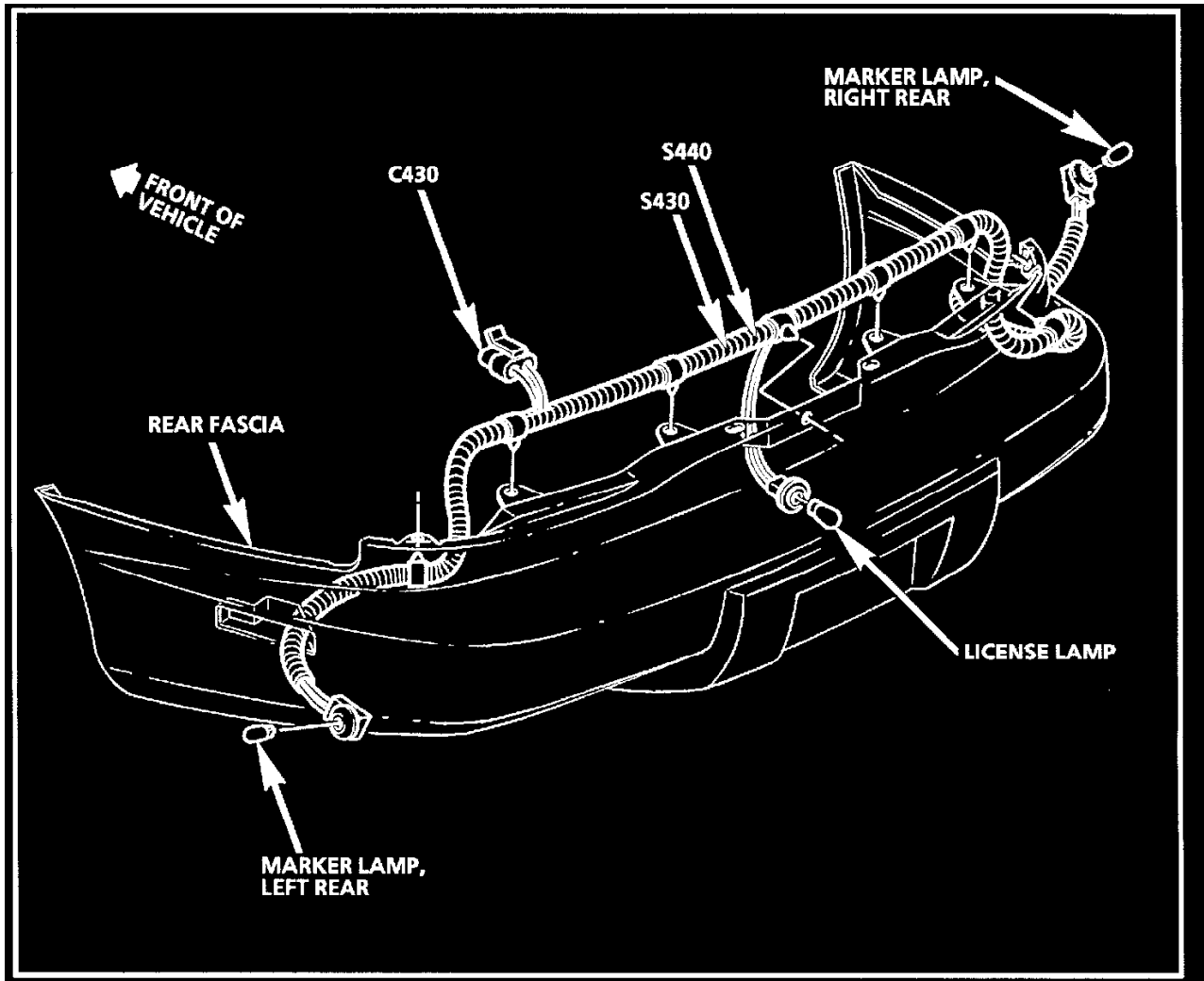
LH Rear Cargo Compartment



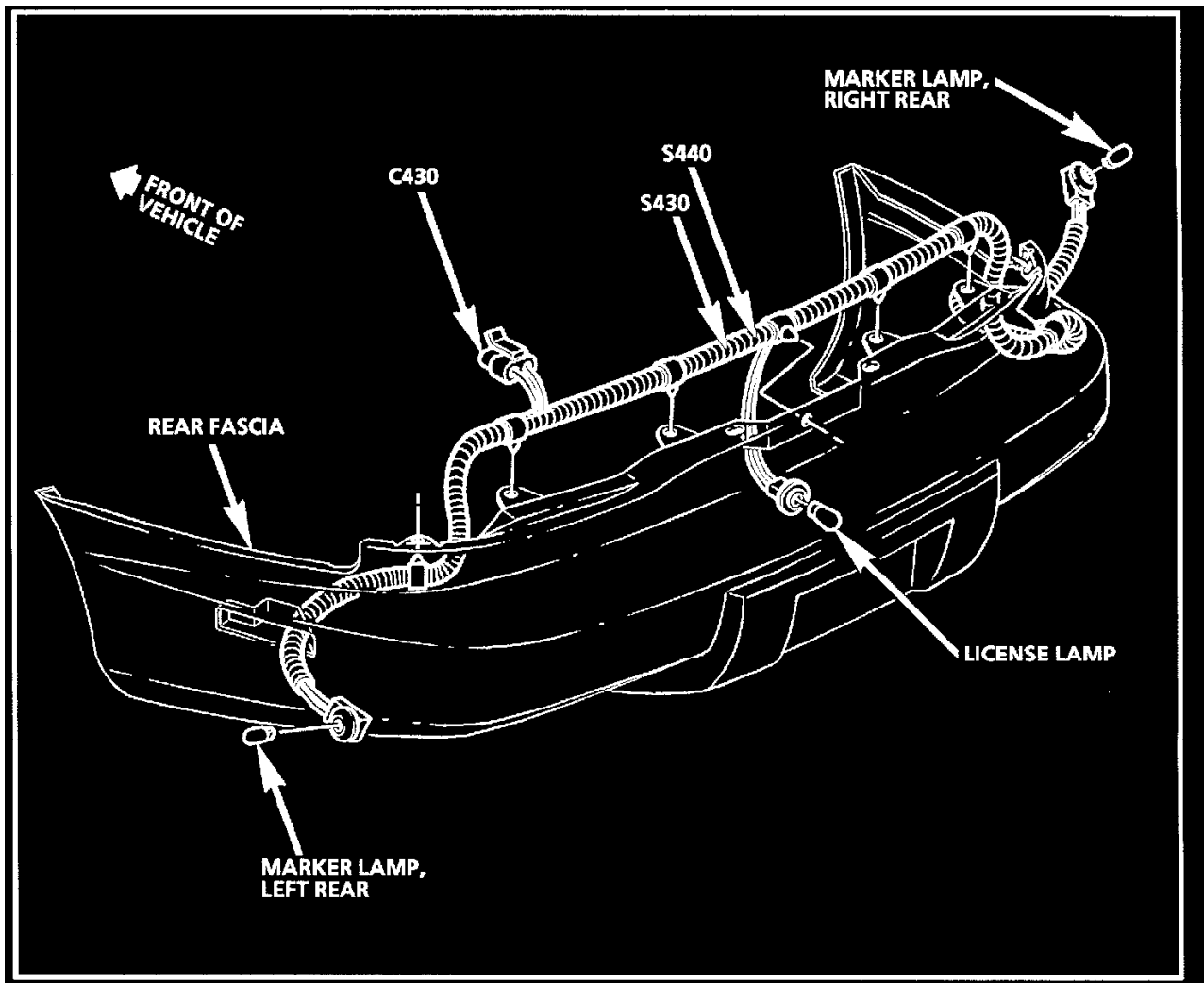
Rear Of Vehicle



Bottom Side Of Hatch, Shown Upside Down



Rear Fascia



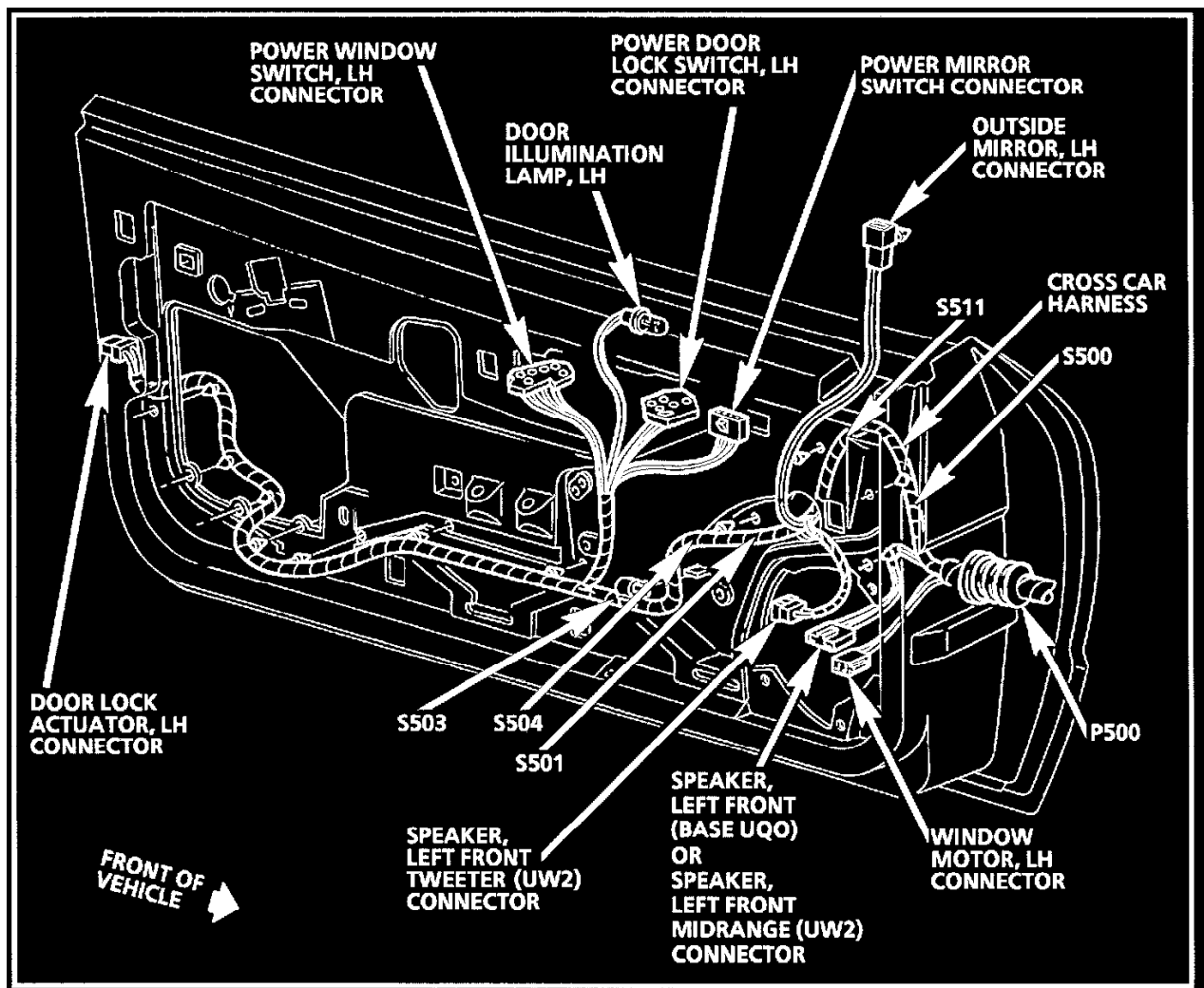
Rear Fascia

S450

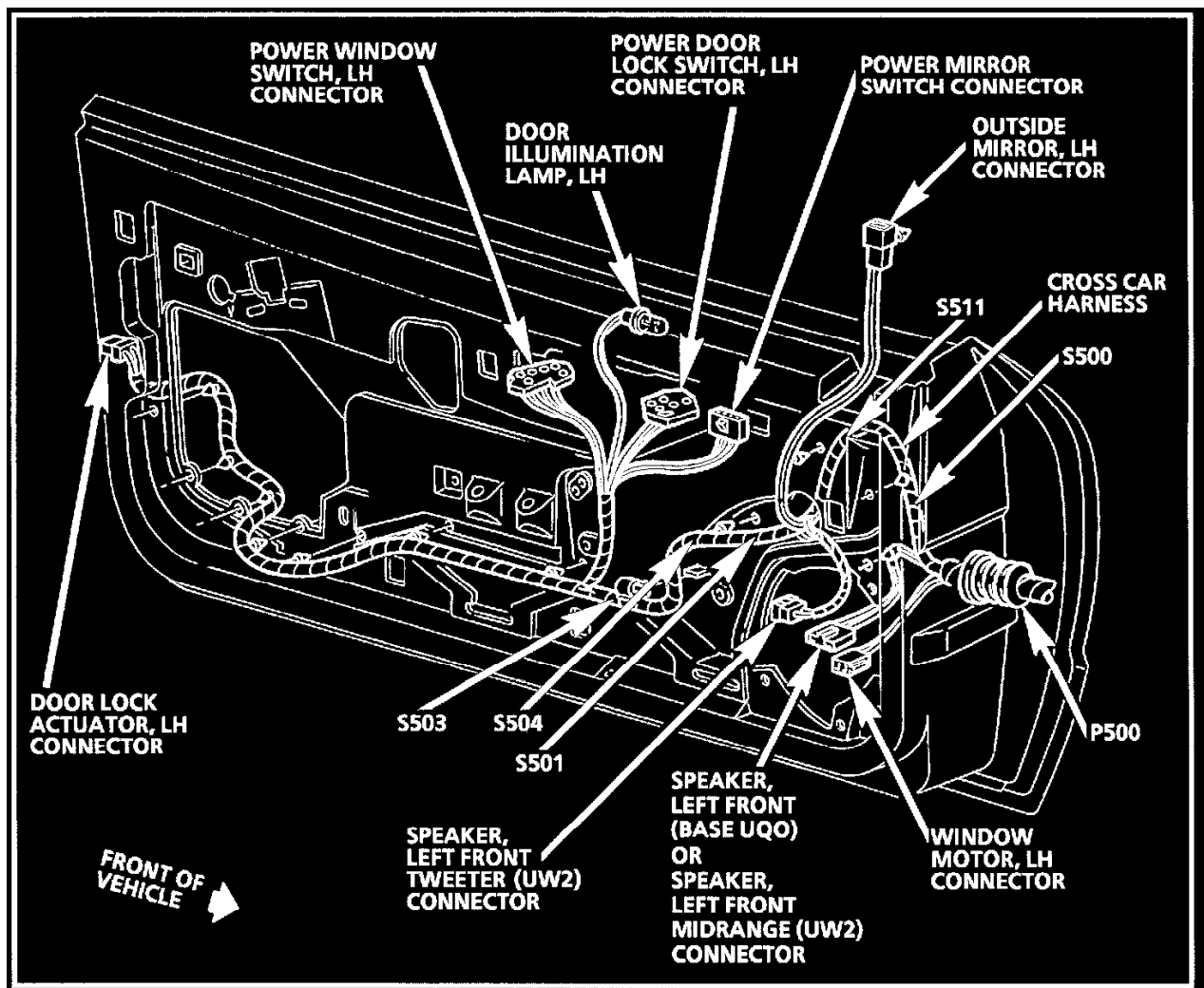
CHMSL jumper harness, approx 15 cm from bulbs

S460

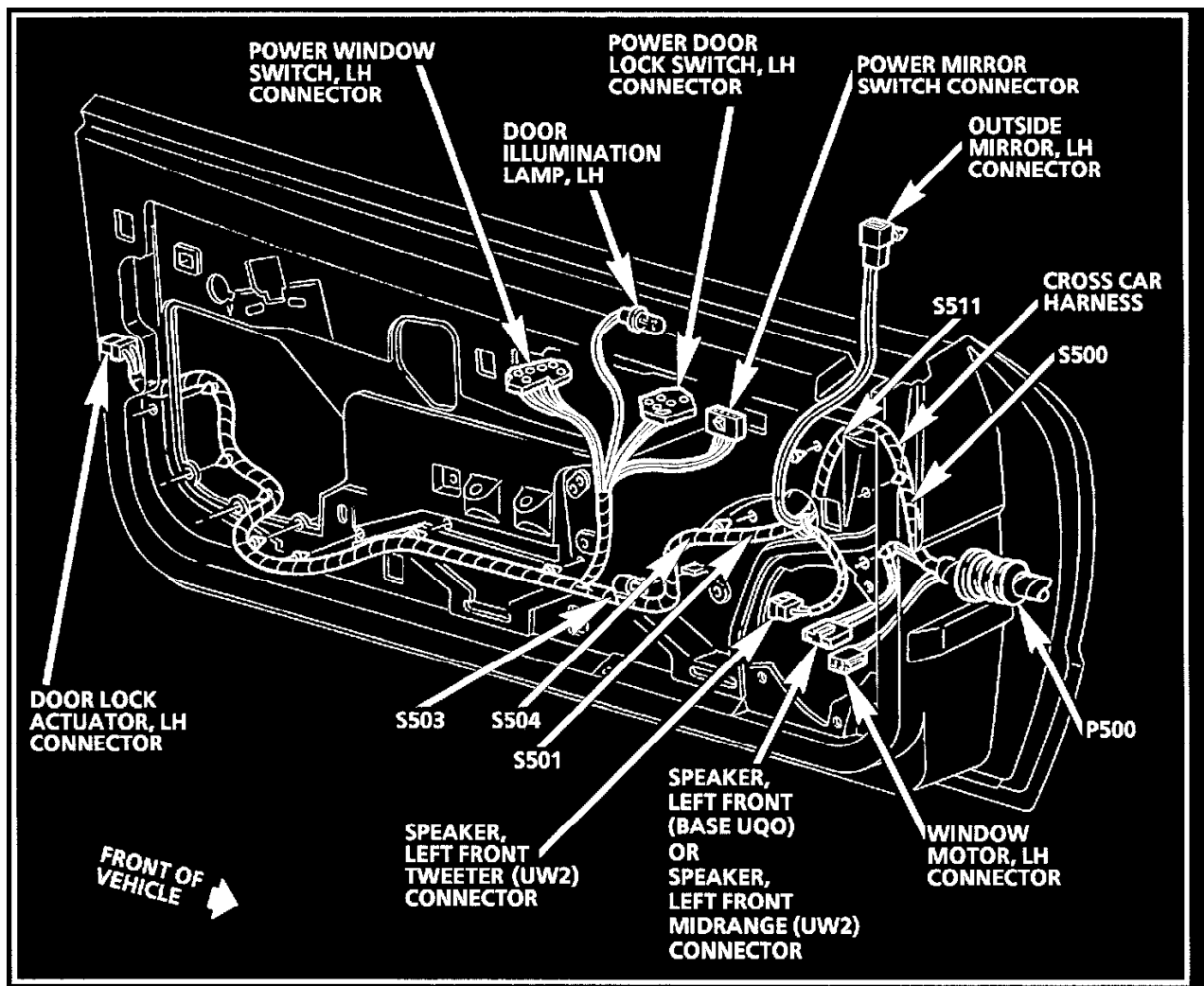
CHMSL jumper harness, approx 15 cm from bulbs



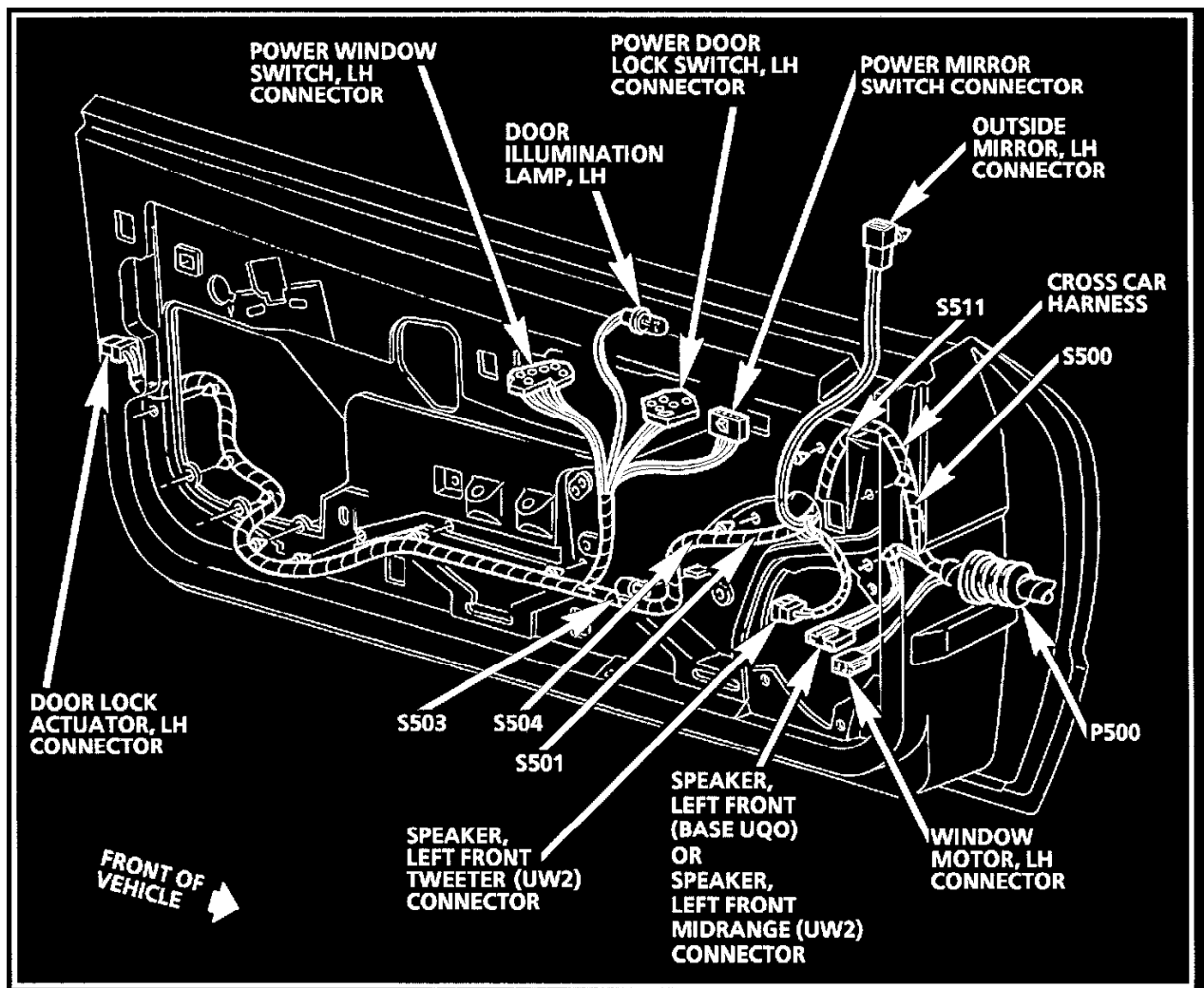
Behind LH Door Trim (RH Door Similar)



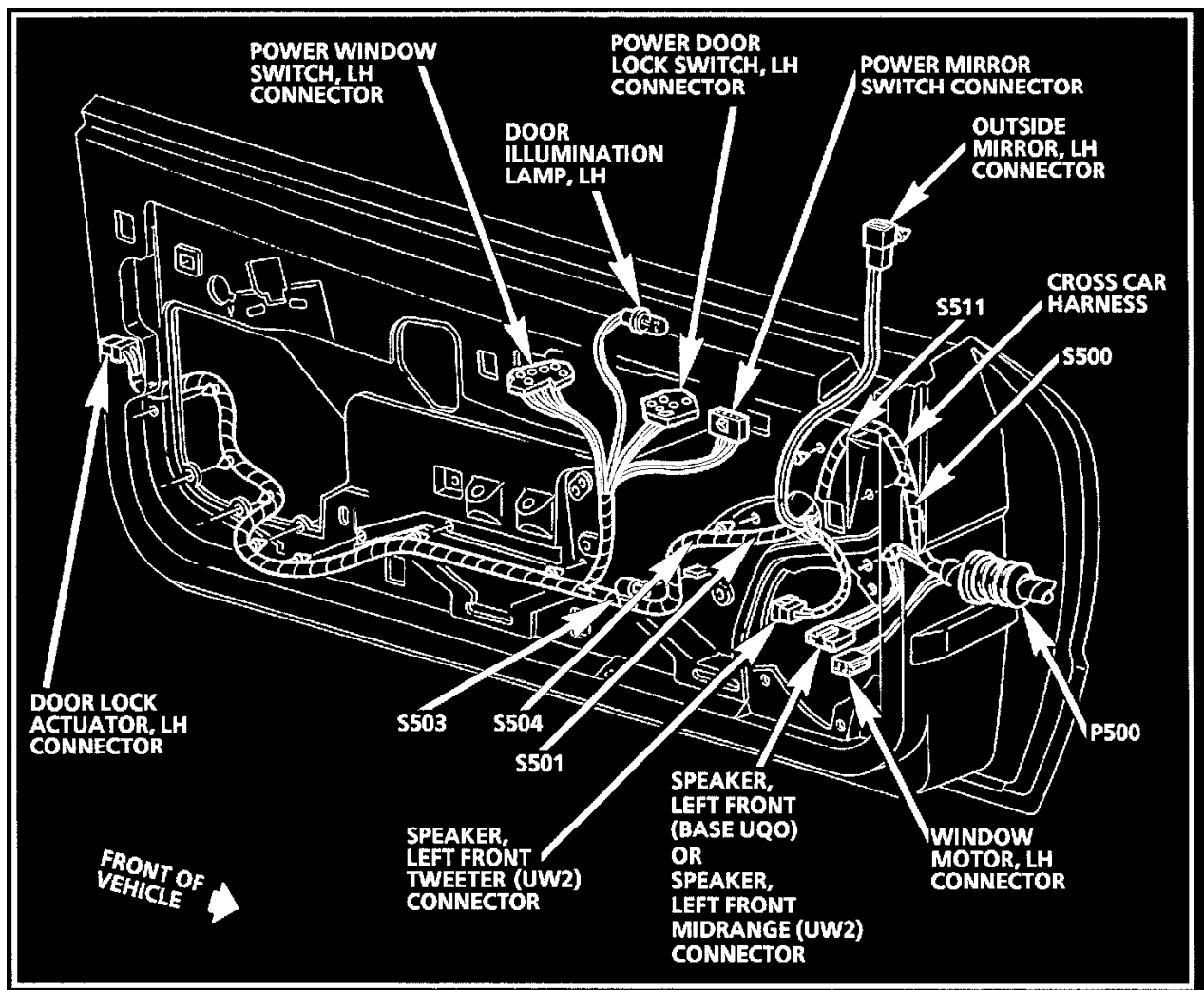
Behind LH Door Trim (RH Door Similar)



Behind LH Door Trim (RH Door Similar)



Behind LH Door Trim (RH Door Similar)

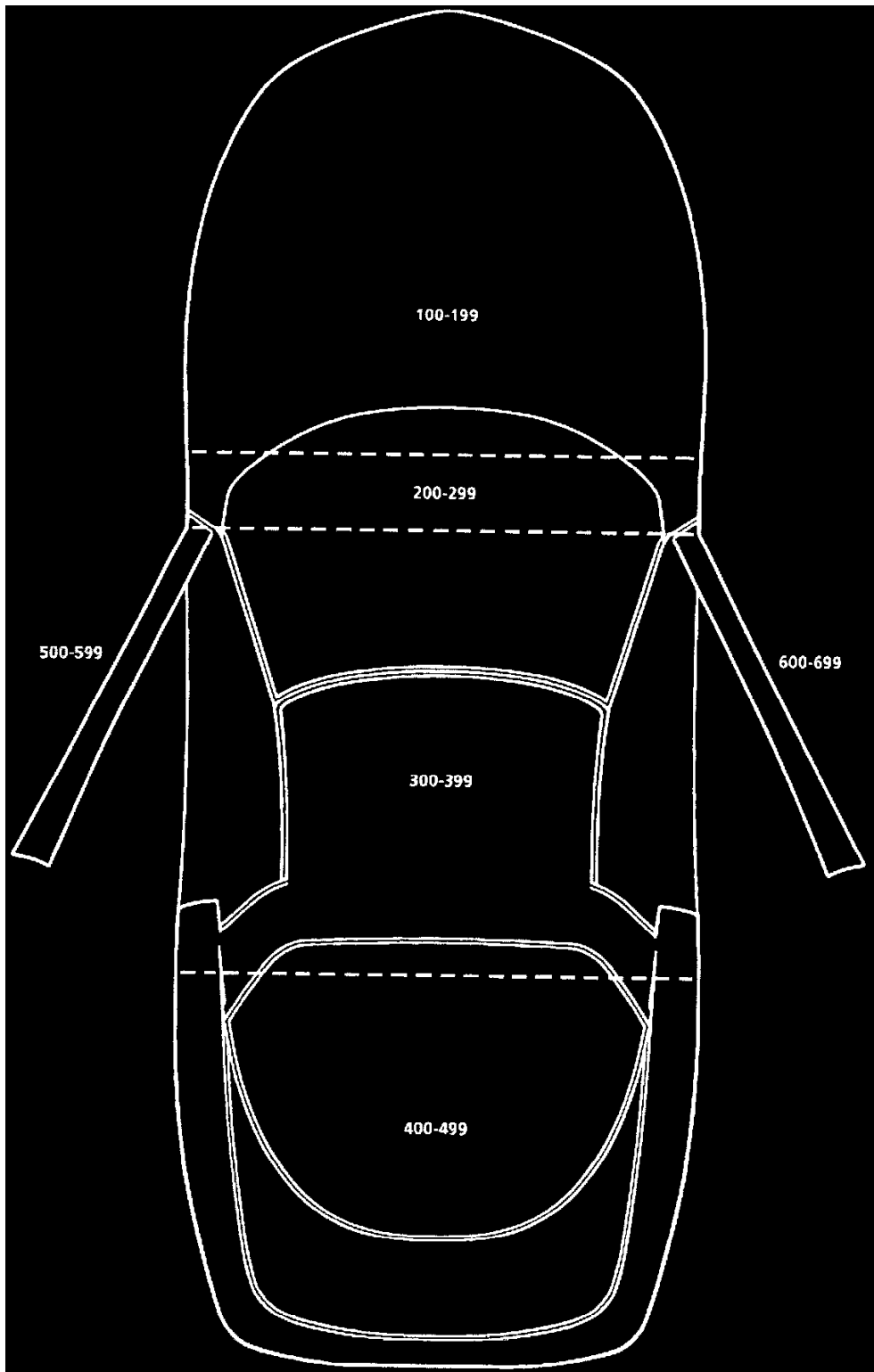


Behind LH Door Trim (RH Door Similar)

S600-S699

Cross car harness, approx 7 cm from outside mirror breakout

Vehicle Zoning

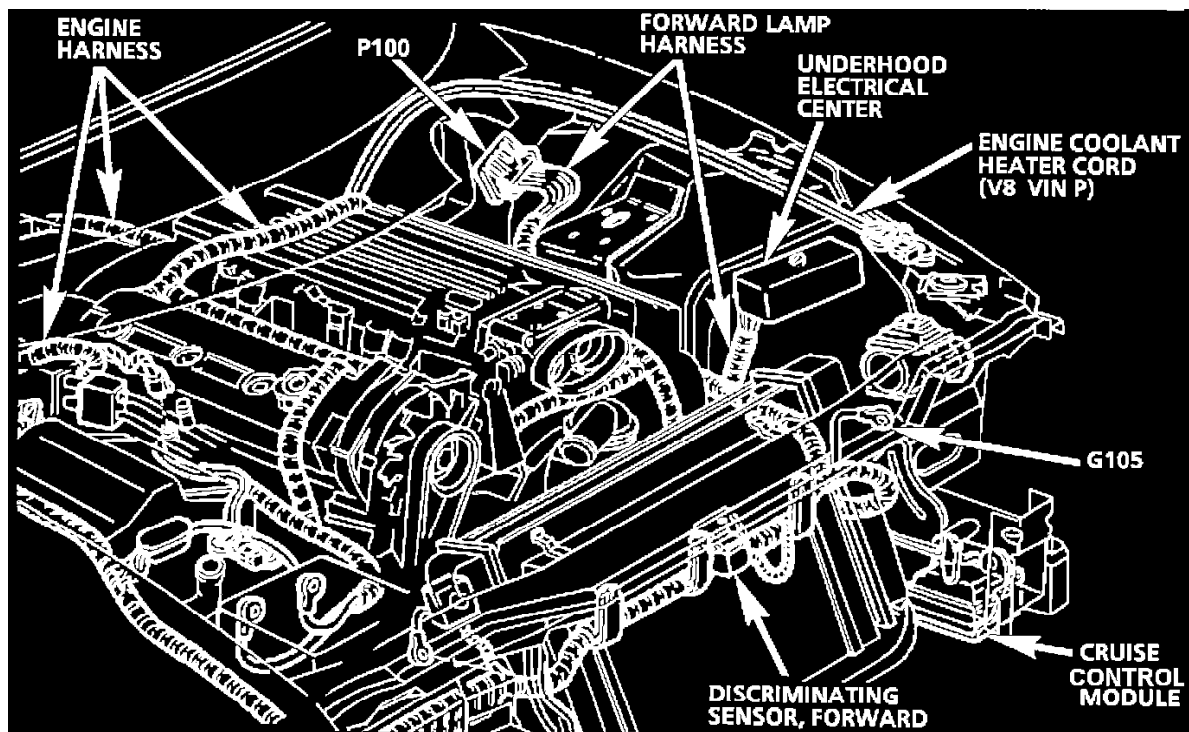


Vehicle Zoning

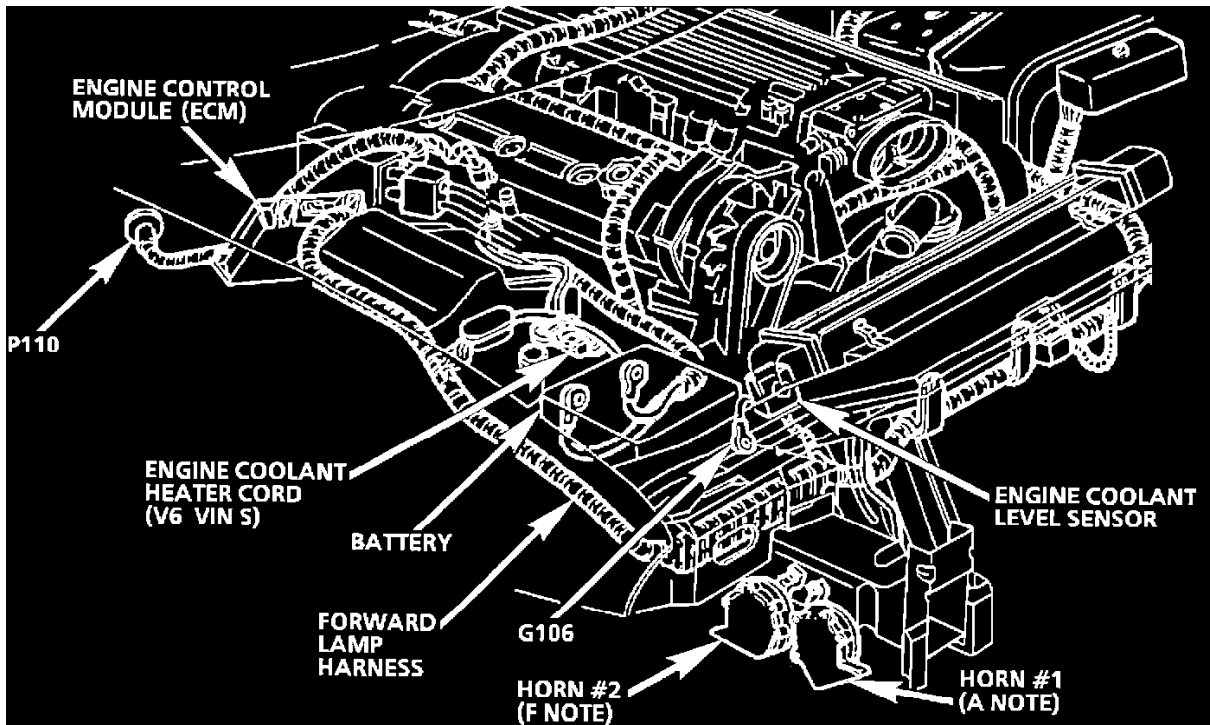
CALLOUT NUMBERS (For Splices, Connectors and Pass Thru Grommets)	ZONE DESCRIPTION
100-199	All forward of and including dash panel
200-299	Within Instrument Panel area
300-399	Passenger Compartment, forward of hatch
400-499	Hatch area, to rear of vehicle
500-599	To and within left door
600-699	To and within right door

Zoning Description

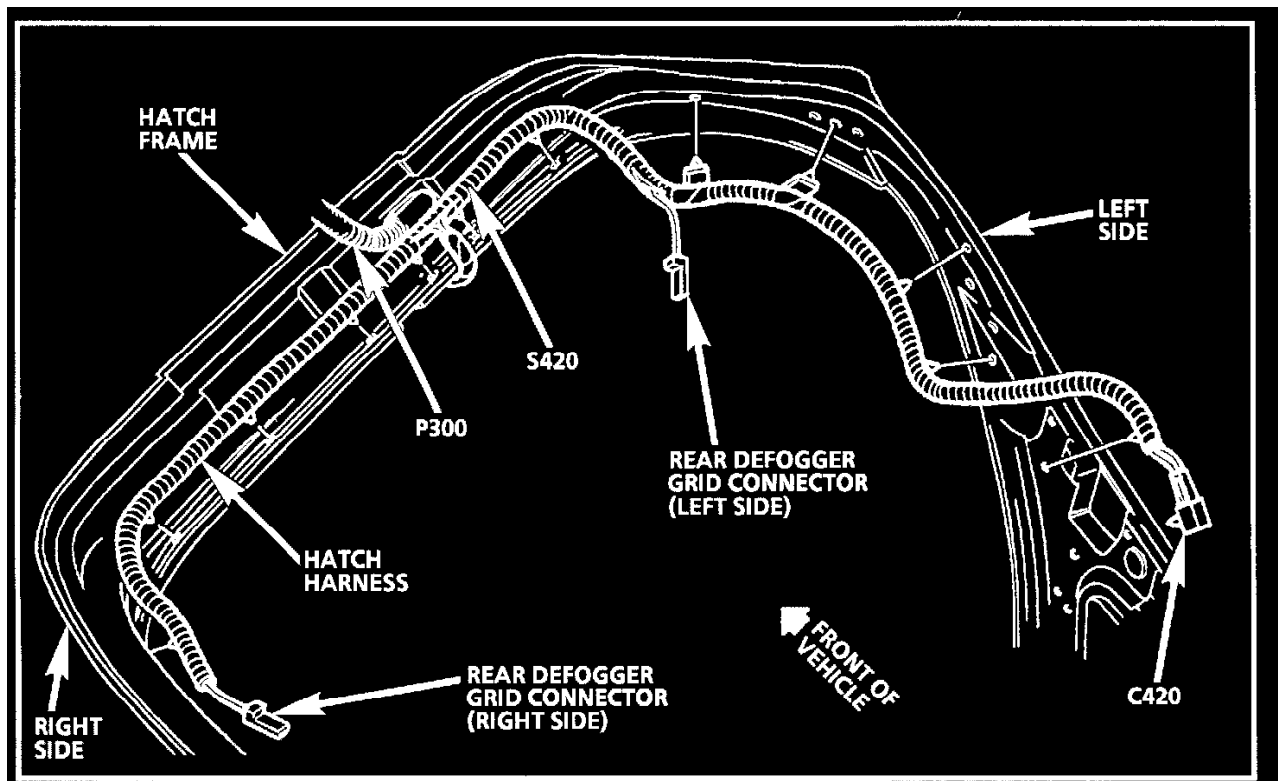
Vehicle Zoning



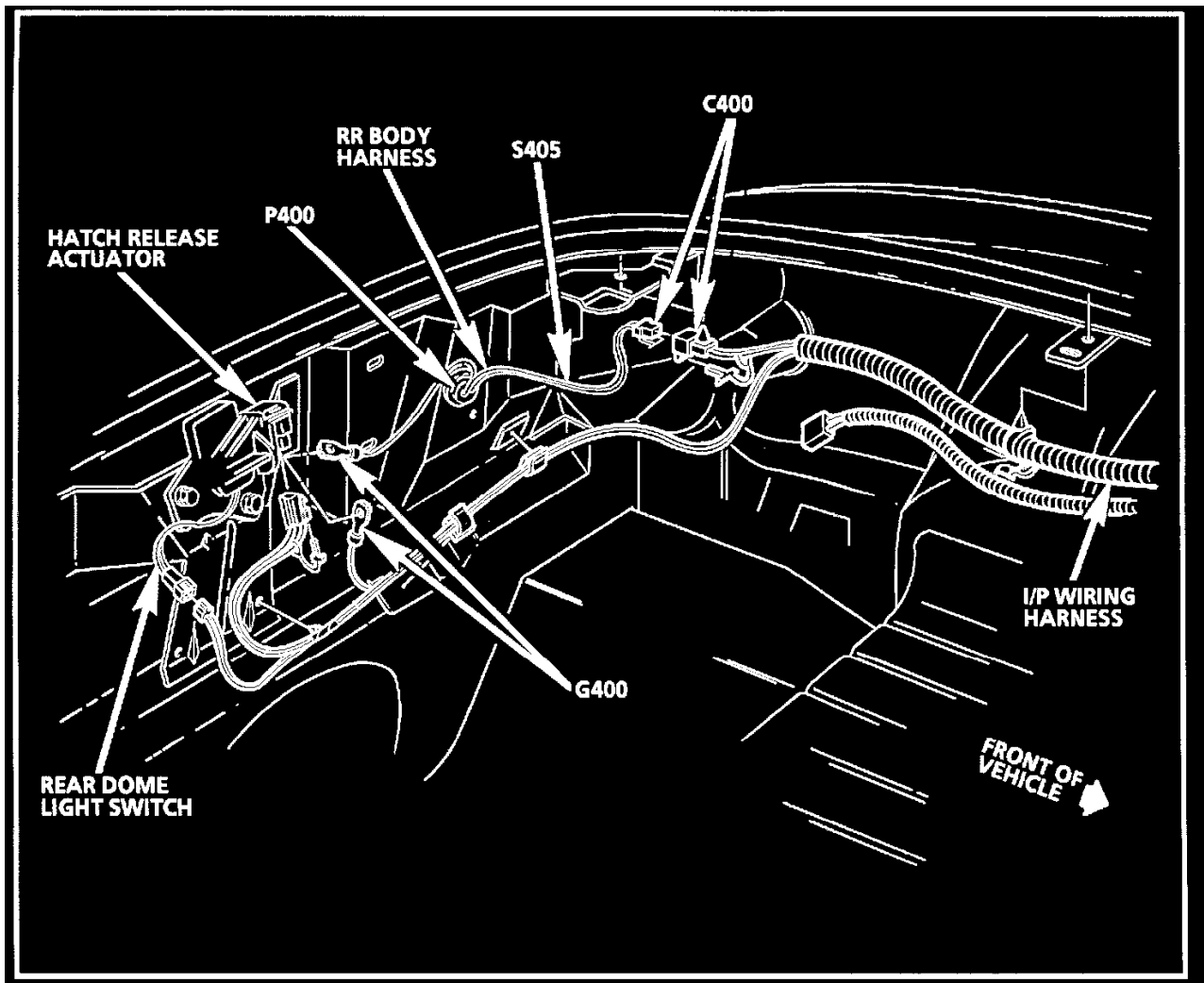
Engine Compartment



Engine Compartment



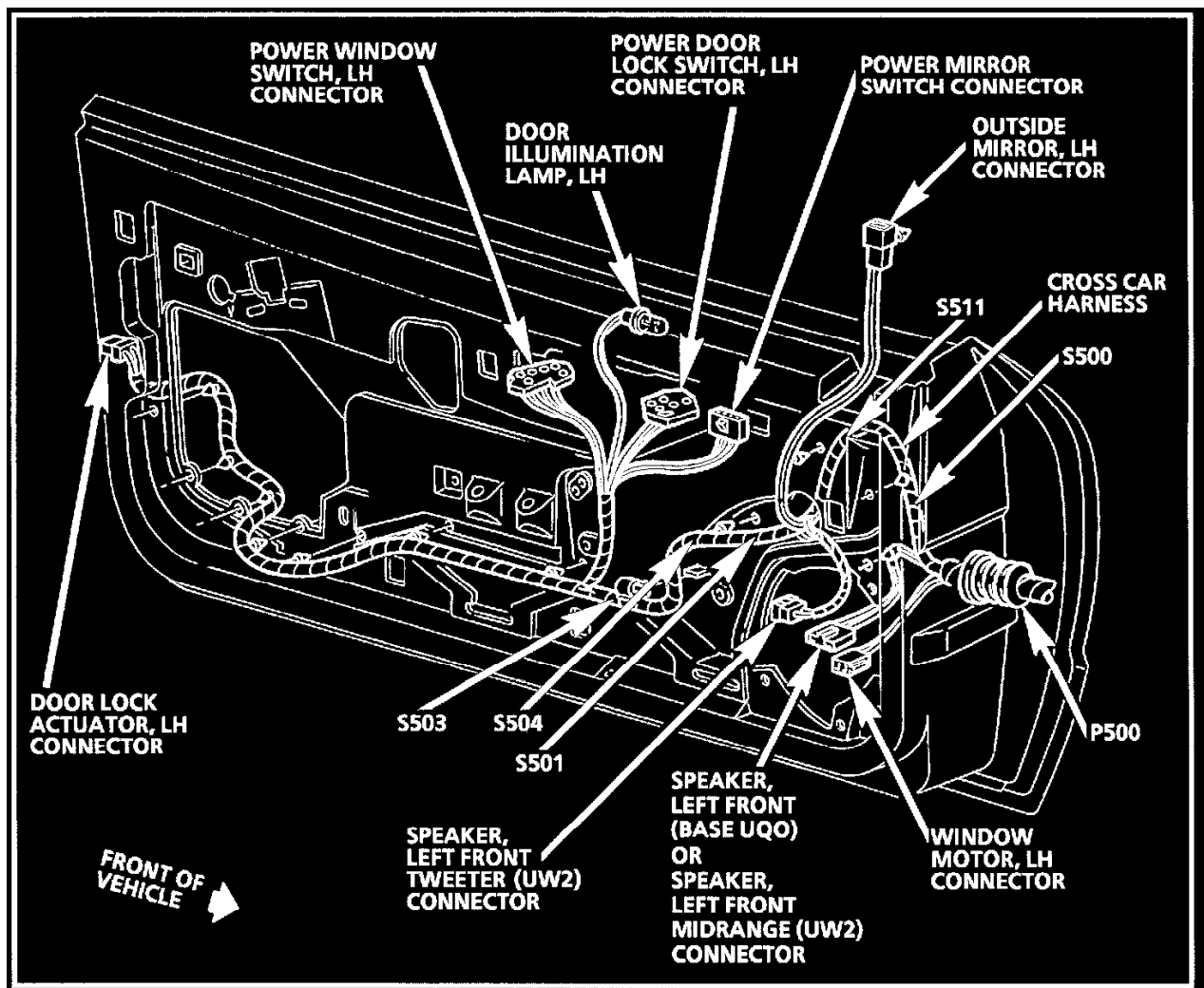
Bottom Side Of Hatch, Shown Upside Down



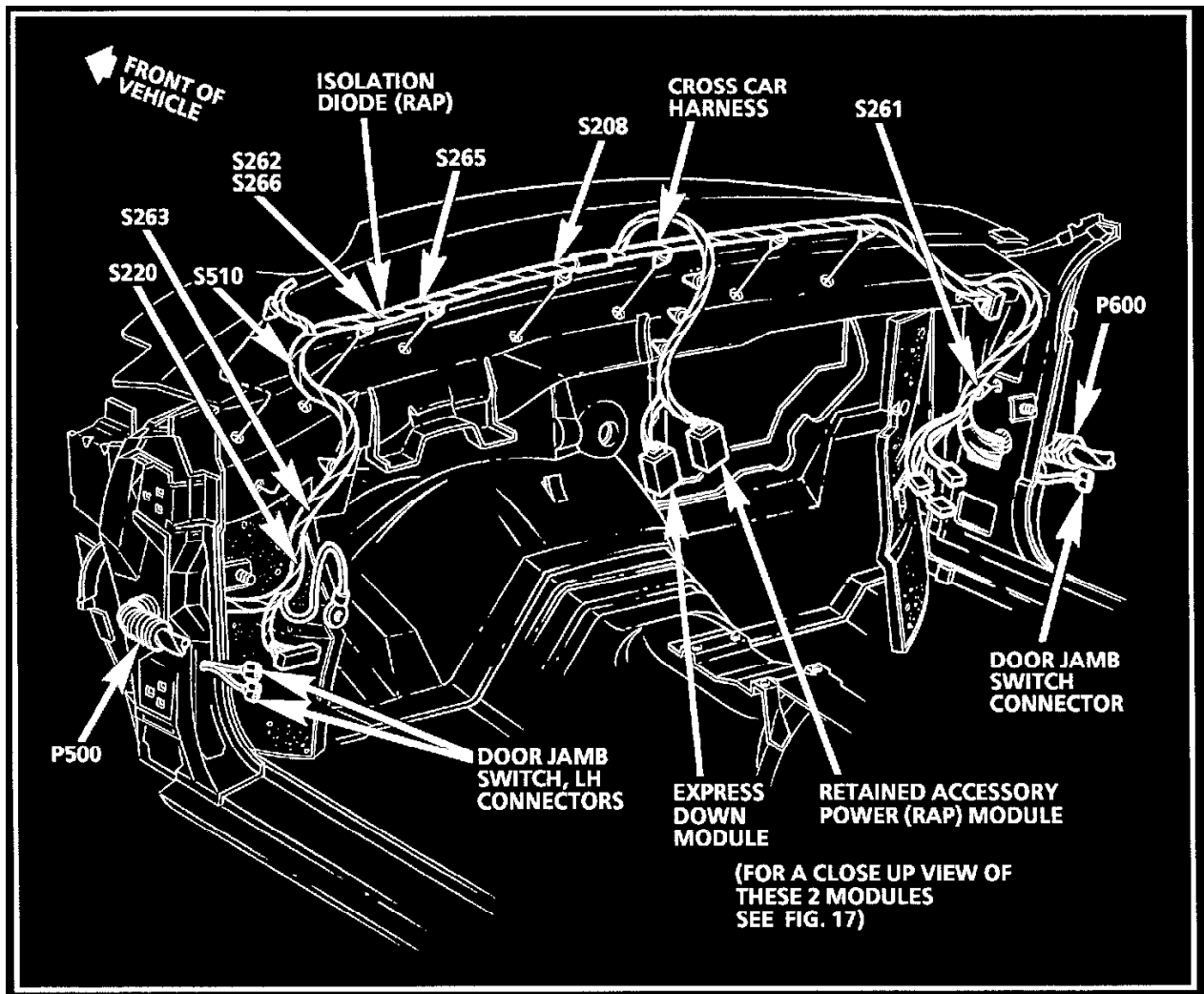
LH Rear Cargo Compartment

P410

In left side spoiler

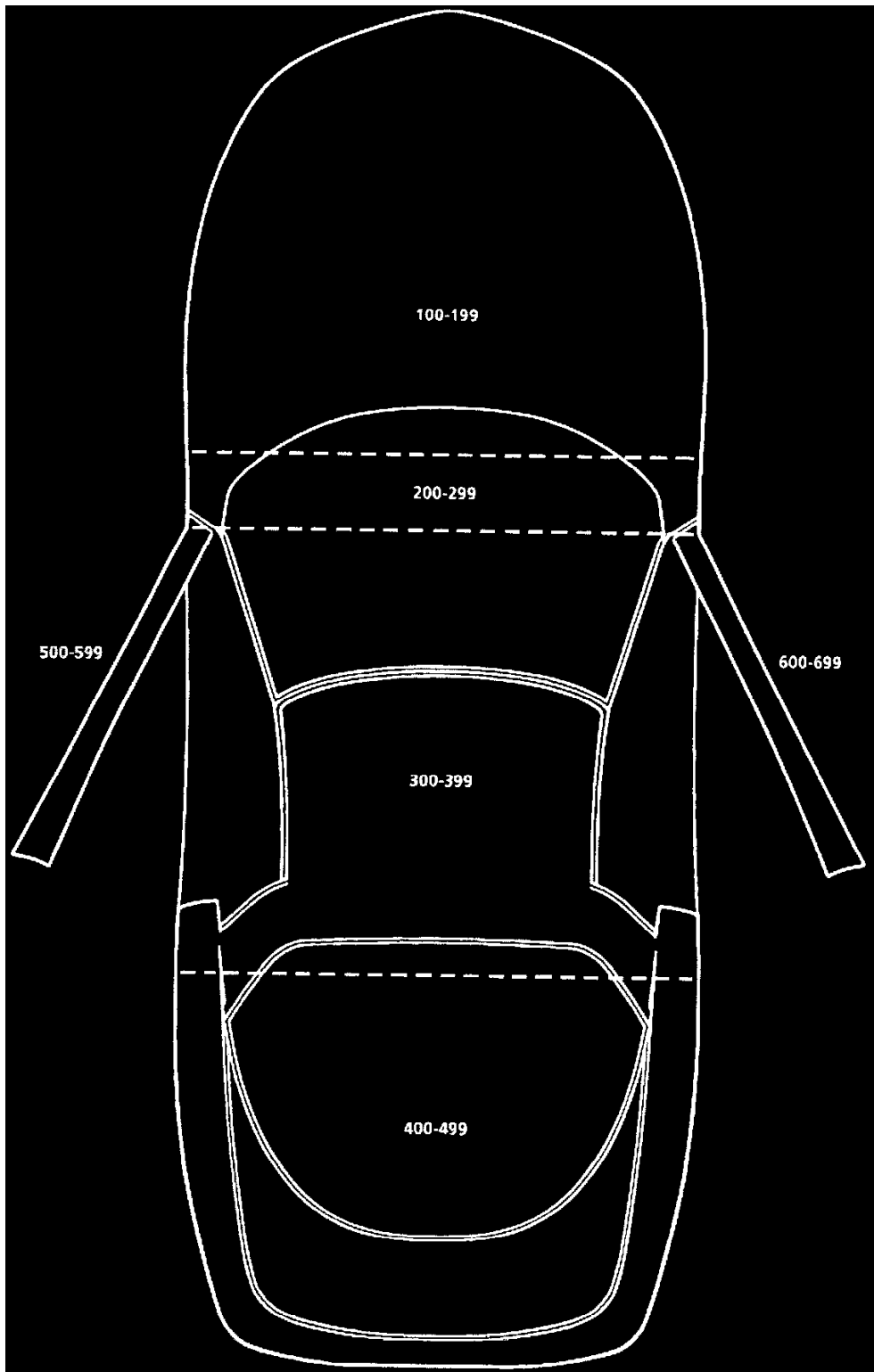


Behind LH Door Trim (RH Door Similar)



Dash Panel With Cross Car Harness

Vehicle Zoning

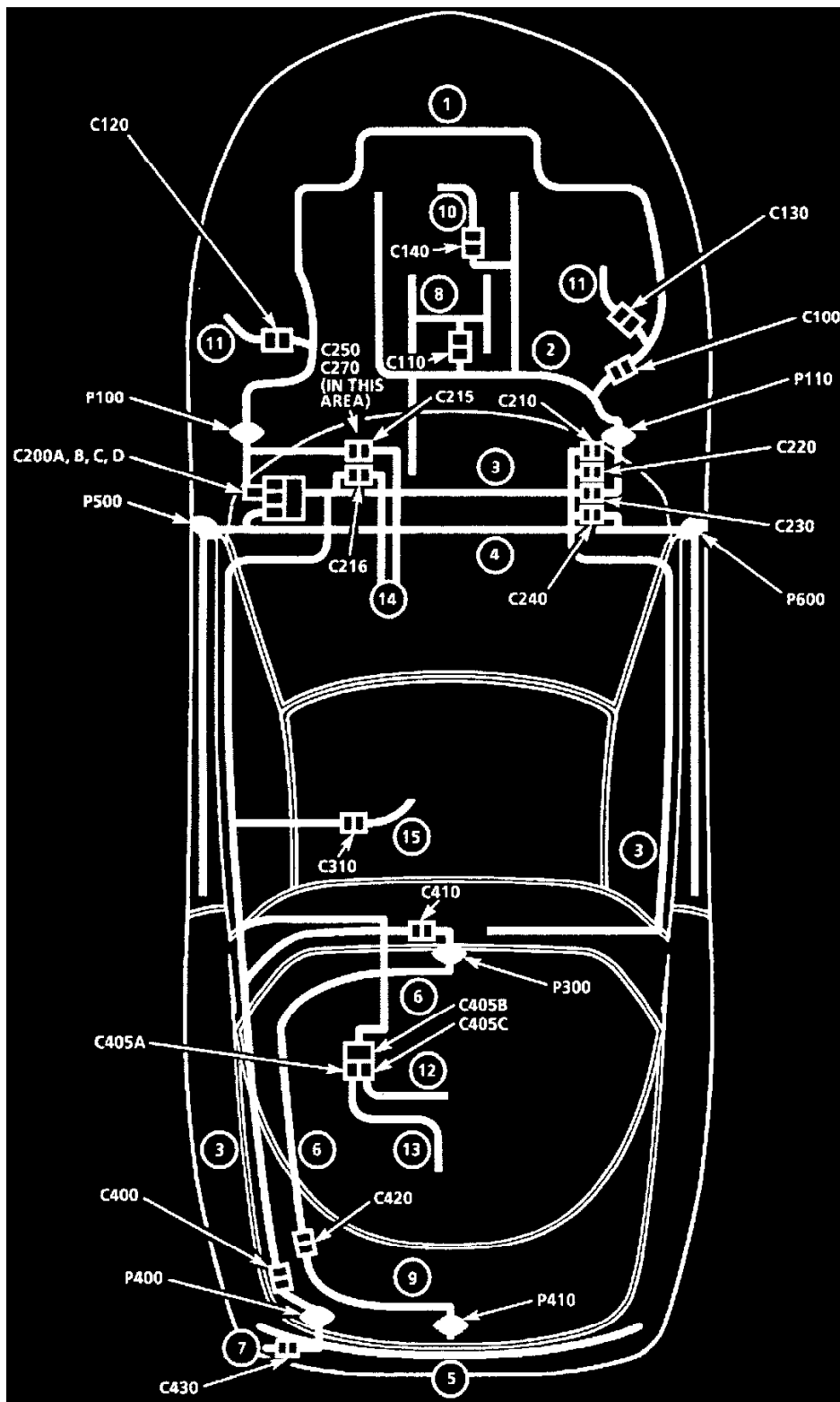


Vehicle Zoning

CALLOUT NUMBERS (For Splices, Connectors and Pass Thru Grommets)	ZONE DESCRIPTION
100-199	All forward of and including dash panel
200-299	Within Instrument Panel area
300-399	Passenger Compartment, forward of hatch
400-499	Hatch area, to rear of vehicle
500-599	To and within left door
600-699	To and within right door

Zoning Description

Vehicle Zoning



Harness Routing Views

HARNES LEGEND			
1	Forward Lamp Harness	9	CHMSL Jumper Harness
2	Engine Harness	10	Distributor Jumper Harness (V8 VIN P)
3	I/P Harness	11	Wheel Speed Sensor Jumper Harness
4	Cross Car Harness	12	RR Wheel Speed Sensor Jumper Harness
5	Rear Body Harness	13	Fuel Tank Unit Pigtail
6	Hatch Harness	14	Steering Column Harness
7	RR Fascia Harness	15	Driver Seat Harness
8	Injector Harness (V6 VIN S)		

Harness Legend

CONNECTOR LEGEND		CONNECTOR
C100 (10 cavities)	Engine Harn to Forward Lamp Harn, behind LH wheelhouse attached to ECM Bracket	202-0
C110 (10 cavities) (V6 VIN S)	Engine Harn to Injector Harn, top center of Intake Manifold	202-1
C120 (2 cavities)	Forward Lamp Harn to Wheel Speed Sensor Jumper Harn, mounted to LH Frame Rail	
C130 (2 cavities)	Forward Lamp Harn to Wheel Speed Sensor Jumper Harn, mounted to RH Frame Rail	
C140 (4 cavities) (V8 VIN P)	Engine Harn to Distributor Jumper Harn, right side of Intake Plenum, attached to EVAP Solenoid Valve	202-14
C200A (17 cavities)	Forward Lamp Harn to I/P Harn, between LH kick panel and Steering Column	202-2
C200B (18 cavities)	Forward Lamp Harn to I/P Harn, between LH kick panel and Steering Column	202-2
C200C (13 cavities)	Cross Car Harn to I/P Harn, between LH kick panel and Steering Column	202-2
C200D (48 cavities)	I/P Harn side, between LH kick panel and Steering Column	202-2
C210 (4 cavities)	I/P Harn to Engine Harn, under RH side of I/P behind RH kick panel	202-14
C215 (11 cavities)	Forward Lamp Harn to Steering Column Harn, near base of Steering Column	202-4
C216 (11 cavities)	I/P Harn to Steering Column Harn, attached to base of Steering Column	202-5
C220 (10 cavities)	I/P Harn to Engine Harn, under RH side of I/P behind kick panel	202-6

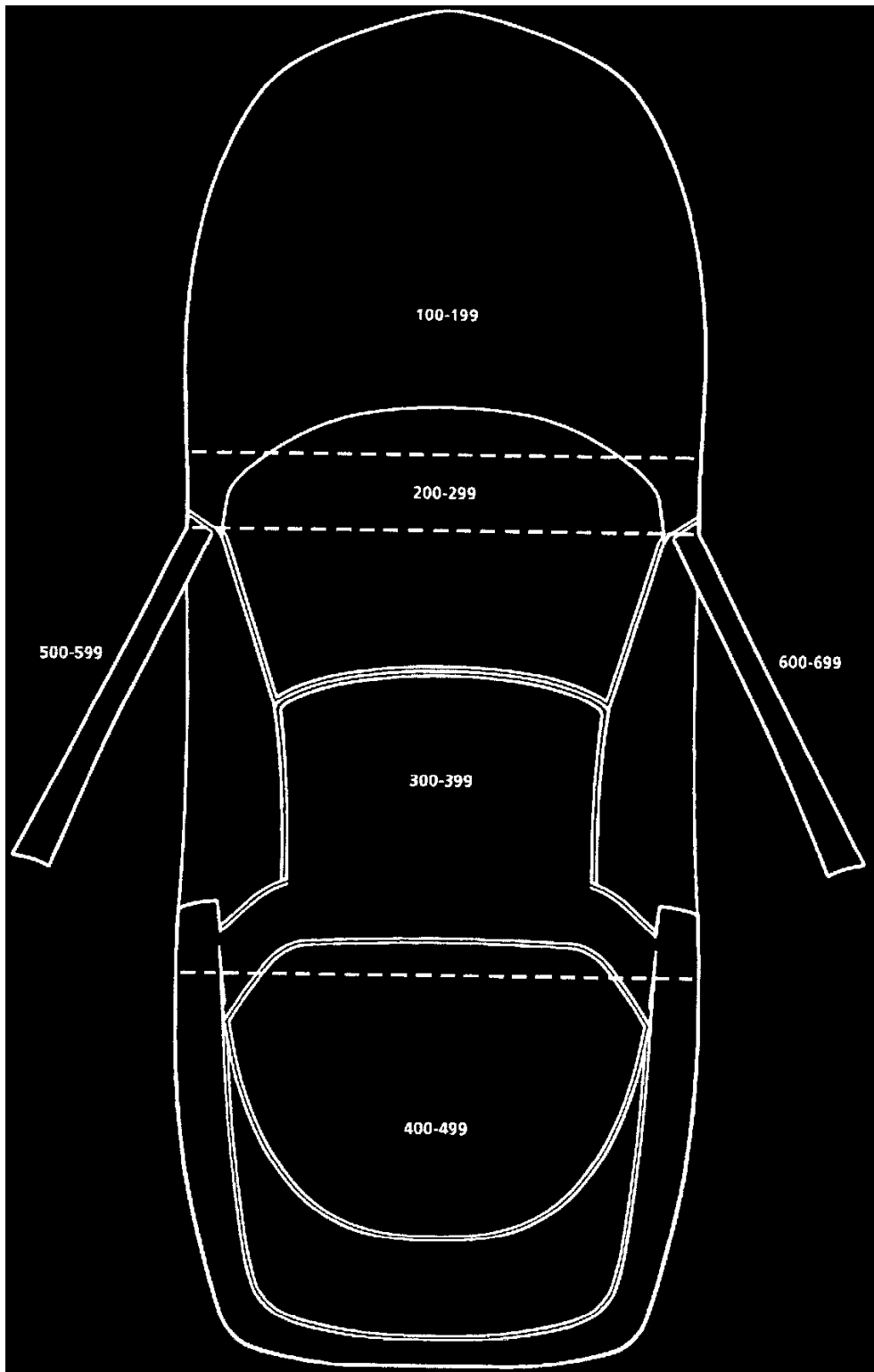
(CONTINUED)

Connector Legend

(CONTINUED)		
CONNECTOR LEGEND		CONNECTOR
C230 (10 cavities)	I/P Harn to Engine Harn, under RH side of I/P behind kick panel	202-7
C240 (6 cavities)	Cross Car Harn to I/P Harn, under RH side of I/P behind kick panel	202-14
C250 (2 cavities)	Forward Lamp Harn to Clutch Jumper Harn, near Brake/Clutch Pedal Bracket	
C270 (2 cavities)	I/P Harn to Clutch Jumper Harn, near Brake/Clutch Pedal Bracket	
C310 (2 cavities) (with AC3)	I/P Harn to Driver Seat Harn (with AC3), between rear mounting bolts of driver seat	
C400 (6 cavities)	I/P Harn to Rear Body Harn, LH rear Cargo Compartment	202-14
C405A (4 cavities)	Fuel Tank Unit Pigtail to I/P Harn, part of Pass Thru Connector forward of rear axle	202-8
C405B (10 cavities)	I/P Harn side, part of Pass Thru Connector forward of rear axle	202-8
C405C (4 cavities)	Rear Wheel Speed Sensor Jumper Harn to I/P Harn, part of Pass Thru Connector forward of rear axle	202-8
C410 (3 cavities)	I/P Harn to Hatch Harn, center of roof near dome lamp	
C420 (2 cavities)	Hatch Harn to CHMSL Jumper Harn, LH side of hatch between hatch frame and plastic panel	
C430 (2 cavities)	Rear Body Harn to Rear Fascia Harn, between rear fascia and rear end panel on LH side	

Connector Legend Cont.

Vehicle Zoning



Vehicle Zoning

CALLOUT NUMBERS (For Splices, Connectors and Pass Thru Grommets)	ZONE DESCRIPTION
100-199	All forward of and including dash panel
200-299	Within Instrument Panel area
300-399	Passenger Compartment, forward of hatch
400-499	Hatch area, to rear of vehicle
500-599	To and within left door
600-699	To and within right door

Zoning Description

Vehicle Zoning