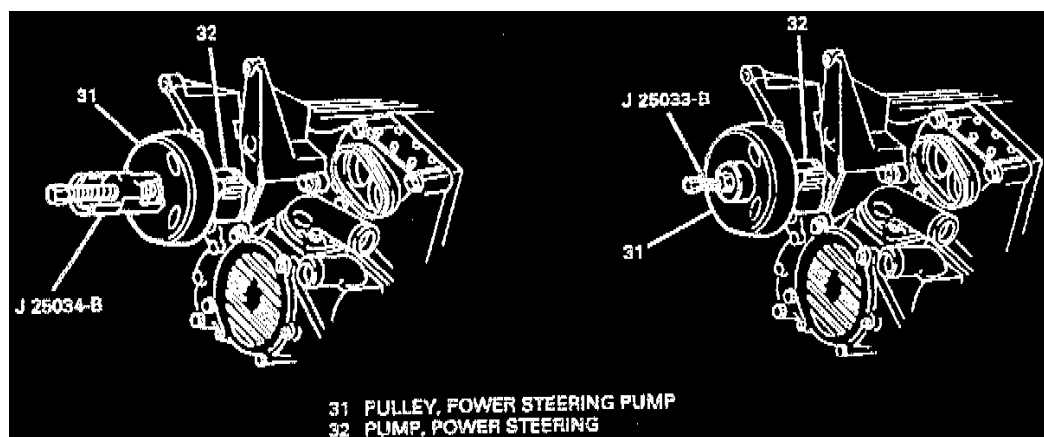


Power Steering Pump: Service and Repair

Power Steering Pump Pulley Replacement



Tools Required:

- J 25034-B Pump Pulley Remover
- J 25033-B Pump Pulley Installer
- Or Equivalents

REMOVE OR DISCONNECT

1. Raise and suitably support vehicle.
2. Drain engine coolant.
3. Serpentine belt.
4. Lower vehicle.
5. Front air intake duct.
6. Generator.
7. Radiator outlet hose from engine.
8. Heater inlet and outlet hoses from water pump.
9. Throttle body heater return hose from heater outlet hose.
10. Inlet and reservoir hoses from pump. Refer to "Power Steering Line/Hoses".
11. Pulley (31) from pump (32) using J 25034-B.

INSTALL OR CONNECT

1. Pulley (31) to pump (32) using J 25033-B

Important:

^ Face of pulley hub must be flush with end of pump shaft before applying load to pulley hub.

^ Load required to press pulley hub onto pump shaft must be greater than **6,672 N (1,500 lbs.)** but less than **31,136 N (7,000 lbs.)**

2. Inlet and reservoir hoses to pump. Refer to "Power Steering Line/Hoses".
3. Throttle body heater return hose to heater outlet hose.
4. Heater inlet and outlet hoses to water pump.
5. Radiator outlet hose to engine.
6. Generator.
7. Front air intake duct.
8. Raise and suitably support vehicle.
9. Serpentine belt.
10. Lower vehicle.
11. Refill and bleed engine coolant.
12. Refill and bleed power steering system. Refer to "Bleeding the Power Steering System". See: Service and Repair