

The headlamps must be aimed for proper illumination of the road. Headlamp aim should be checked whenever a new headlamp is installed or service repairs to the front end area may have disturbed the headlamp or its mountings.



Important

- Some state and local laws specify requirements for headlamp aim. These laws must be followed.

High-Mount Stoplamp

The high-mount stoplamp is in the center of the rear end spoiler. It will illuminate whenever the brake pedal is pushed down. The lamp is powered separately from the taillamps through a circuit in the stoplamp switch.

Parking and Turn Signal Lamps

The parking lamps can be turned on by turning the headlamp switch to the first position on the right. The parking lamps can be turned off by turning the headlamp switch to the left. If the parking lamps are on and the ignition switch is off, a warning tone will sound as a reminder to turn the lamps off.

When the turn signals are activated, the appropriate front parking lamps flash to signal a turn. The turn signal works only when the ignition switch is on and the hazard lamp flashers are turned off.

The turn signals are controlled by the turn signal lever on the left side of the steering column. Moving the lever all the way up or down (past the detent) will turn on the turn signals. When the turn is completed, the lever will return to horizontal and the turn signals will stop flashing.

For changing lanes or shallow turns where the steering wheel does not turn far enough to cancel the signal, move the signal only to the first detent and hold it there. When the lever is released, it will return to horizontal and the turn signal will cancel. For more information, refer to SECTION 8A.

Rear License Lamp

The rear license lamp will come on when the headlamps or parking lamps are on. The rear license lamp is mounted on the rear bumper fascia above the license plate.

Rear Sidemarker Lamps

The rear sidemarker lamps are mounted on the rear bumper fascia.

The rear sidemarker lamps will come on when the headlamps or parking lamps are on. The rear sidemarker lamps also have reflectors that will shine when struck by light whether or not the vehicle's lamps are on.

Taillamps

The taillamps, backup lamps and turn signal lamps are all part of the taillamp.

Turning on either the headlamps or parking lamps will turn on the taillamps. When the brake pedal is pushed down, the taillamps glow brighter to serve as stoplamps.

The turn signals are controlled by the turn signal lever on the left side of the steering column. Moving the lever all the way up or down (past the detent) will turn on the turn signals. When the turn is completed, the lever will return to neutral and the turn signals will stop flashing. If the brake pedal is held down when a turn is signaled, one side will flash and the other will stay on brightly.

For changing lanes or shallow turns where the steering wheel does not turn far enough to cancel the signal, move the lever only to the first detent. When the lever is released, it will return to neutral and the turn signals will cancel.

Turn Signal Lamp Flasher

The turn signal lamp flasher is mounted behind the instrument panel on the driver knee bolster bracket.

INTERIOR LIGHTING

For information on the warning/indicator lamps, cluster lamps, etc. Refer to SECTION 8C. For circuit information, refer to SECTION 8A.

Ashtray Lamp

An ashtray lamp is available on vehicles with a manual transmission. It is mounted beneath the ashtray and it will come on when the parking lamps or headlamps are turned on.

Automatic Transmission Range Selector Indicator Lamp

The automatic transmission indicator lamp will illuminate the transmission control indicator located on the front floor console on vehicles equipped with an automatic transmission. It will come on when the parking lamps or headlamps are turned on.

Console Lamp

The console lamp is mounted on the front floor console. It lights when the console compartment door is opened.

Dome and Reading Lamps

The dome lamp (not available on convertible models) is located on the roof above the rear seat. It will come on when a door is opened or when the inside lamp is turned on. To turn on the interior lamps, rotate the interior lights thumbwheel switch, located to the left of the headlamp switch, full up.

The front reading lamps are part of the inside rearview mirror. Use the switch to turn a reading lamp on or off when the doors are closed. With the doors open, the reading lamps are always on. For more information on the dome and reading lamps, refer to SECTION 10-9 and SECTION 10-2.

Front Side Door Courtesy Lamps

The front side door courtesy lamps are mounted behind the front side door inside handle bezels. They come on when the parking lamps or headlamps are turned on to illuminate the door handles and controls.

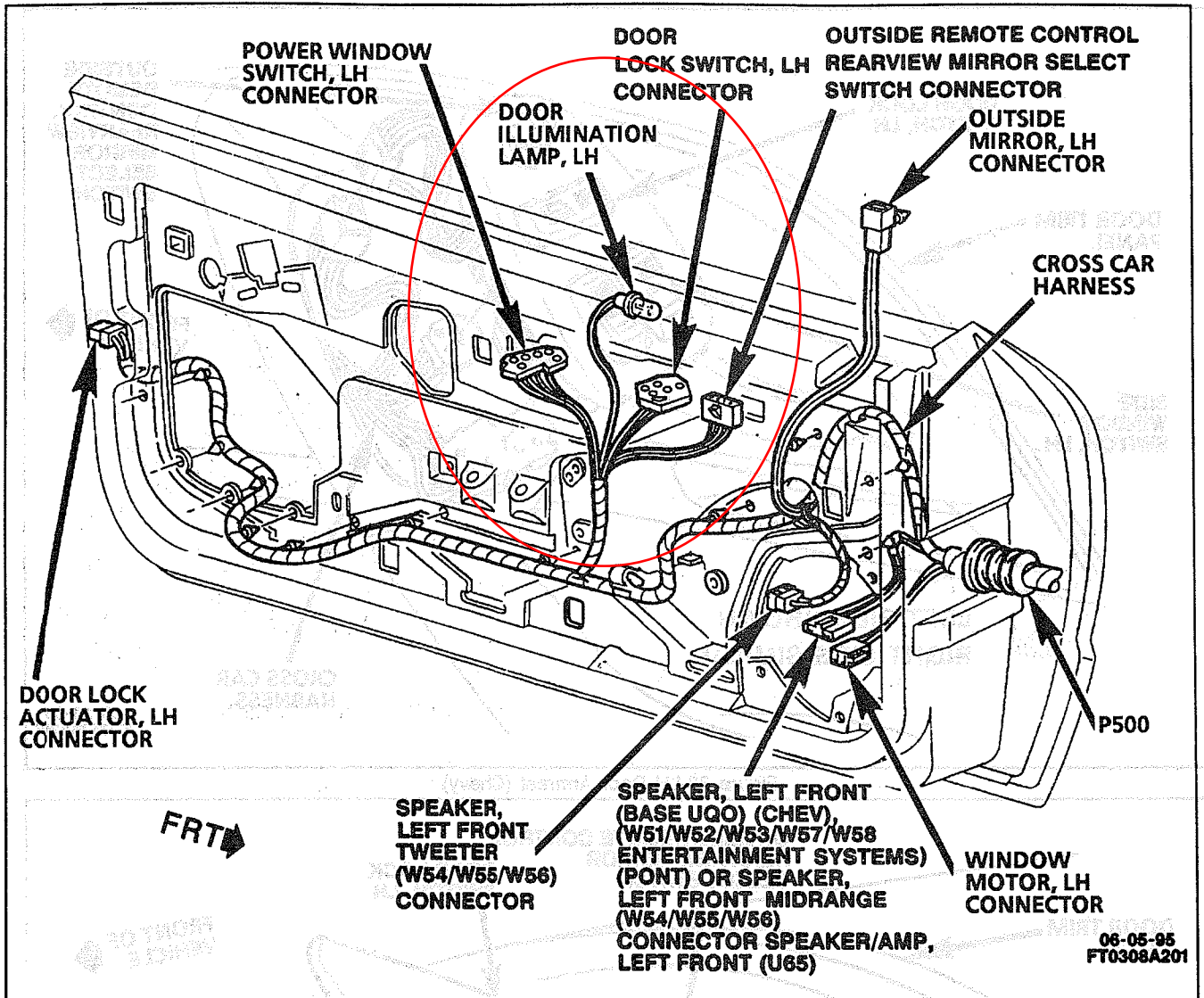


Figure 31-Behind LH Door Trim (RH Door Similar)

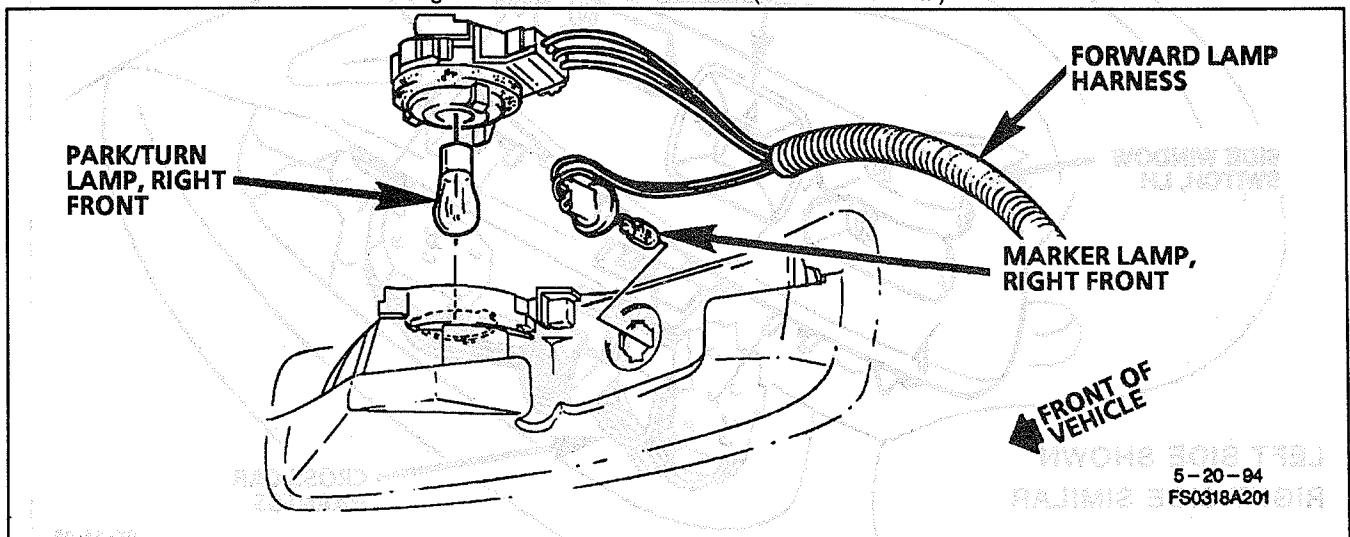


Figure 32-RH Side of front Fascia (LH Similar)

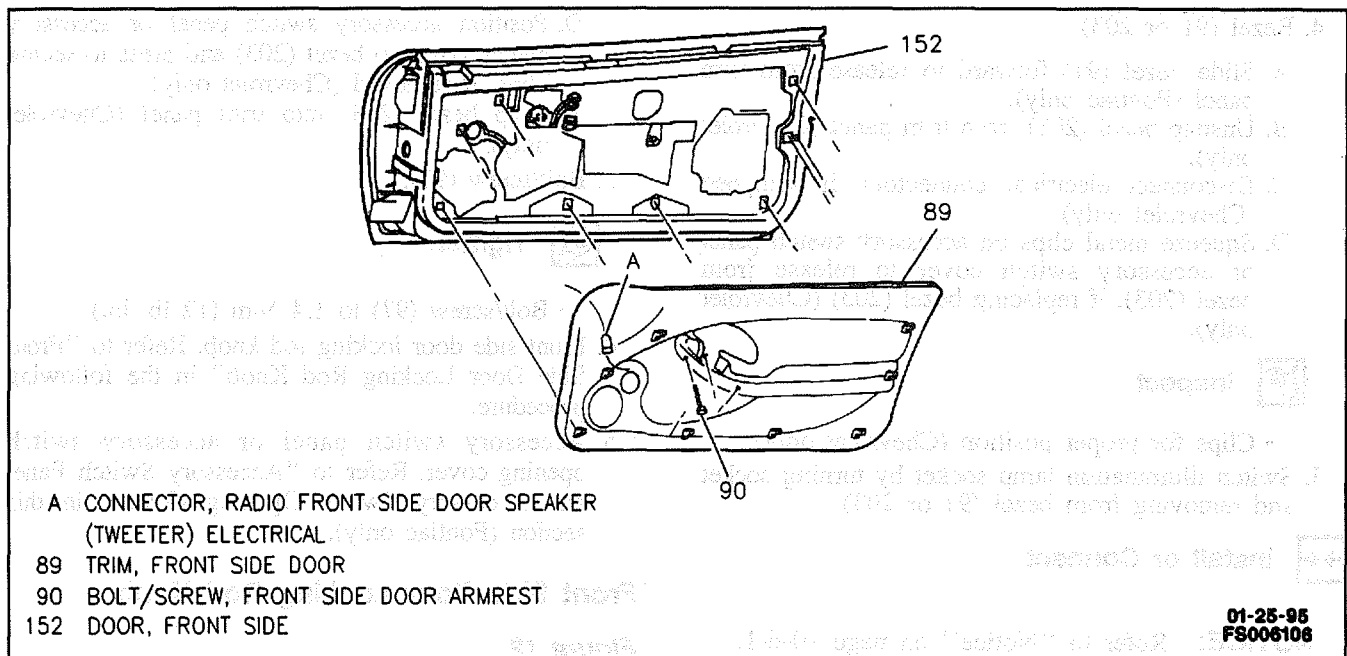


Figure 6 - Front Side Door Trim (Right Shown, Left Similar) - (Pontiac)

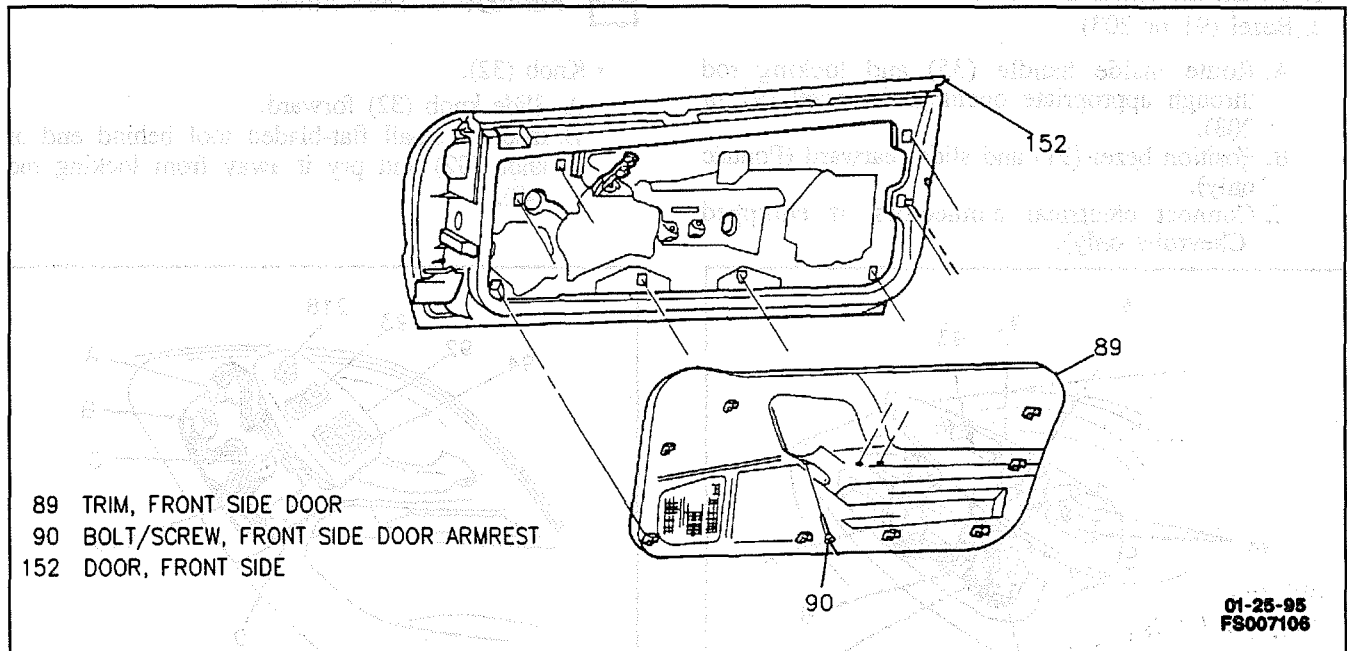


Figure 7 - Front Side Door Trim (Right Shown, Left Similar) - (Chevrolet)

↔ Install or Connect

- Accessory switch panel (92) or accessory switch cover.
 - Install switches if removed. Refer to "Side Window, Outside Remote Control Rearview Mirror Selector and Door Lock Switches" in this section.
 - Position accessory switch panel (92) or accessory switch cover and press to secure clips.
- Front side door inside handle bezel. Refer to "Front Side Door Inside Handle Bezel" in this section.

Front Side Door Inside Handle Bezel

Figures 10 and 11

↔ Remove or Disconnect

- Accessory switch panel or accessory switch opening cover. Refer to "Accessory Switch Panel and Accessory Switch Opening Cover" in this section (Pontiac only).
- Front side door locking rod knob. Refer to "Front Side Door Locking Rod Knob" in the following procedure.
- Bolt/screw (97).

4. Bezel (91 or 203).

- A. Slide bezel (91) forward to release from trim panel (Pontiac only).
- B. Unsnap bezel (203) from trim panel (Chevrolet only).
- C. Disconnect electrical connectors, if equipped (Chevrolet only).
- D. Squeeze metal clips on accessory switch panel or accessory switch cover to release from bezel (203), if replacing bezel (203) (Chevrolet only).

 **Inspect**

- Clips for proper position (Chevrolet only).

5. Switch illumination lamp socket by turning socket and removing from bezel (91 or 203).

 **Install or Connect**

NOTICE: Refer to "Notice" on page 10-6-1.

1. Switch illumination lamp socket.
2. Bezel (91 or 203).
 - A. Route inside handle (35) and locking rod through appropriate openings in bezel (91 or 203).
 - B. Position bezel (91) and slide rearward (Pontiac only).
 - C. Connect electrical connectors, if equipped (Chevrolet only).

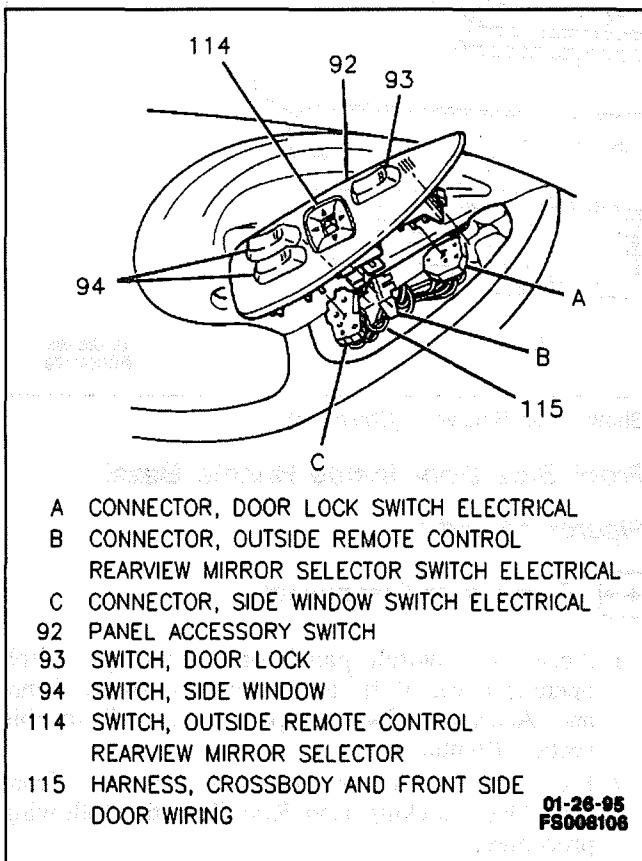


Figure 8 - Accessory Switch Panel - (Pontiac)

- D. Position accessory switch panel or accessory switch cover to bezel (203) and press to secure clips, if removed (Chevrolet only).
- E. Snap bezel (203) into trim panel (Chevrolet only).


3. Bolt/screw (97).

 **Tighten**

- Bolt/screw (97) to 1.4 N.m (12 lb. in.).
- 4. Front side door locking rod knob. Refer to "Front Side Door Locking Rod Knob" in the following procedure.
- 5. Accessory switch panel or accessory switch opening cover. Refer to "Accessory Switch Panel and Accessory Switch Opening Cover" in this section (Pontiac only).

Front Side Door Locking Rod Knob

Figure 12

 **Remove or Disconnect**

- Knob (32).
 - A. Slide knob (32) forward.
 - B. Insert a small flat-bladed tool behind end of knob (32) and pry it away from locking rod (49).

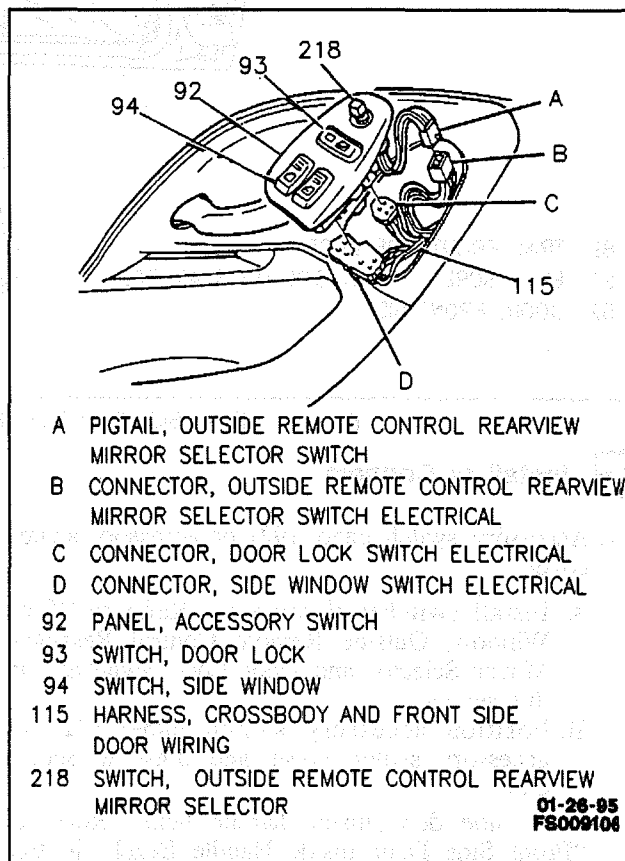
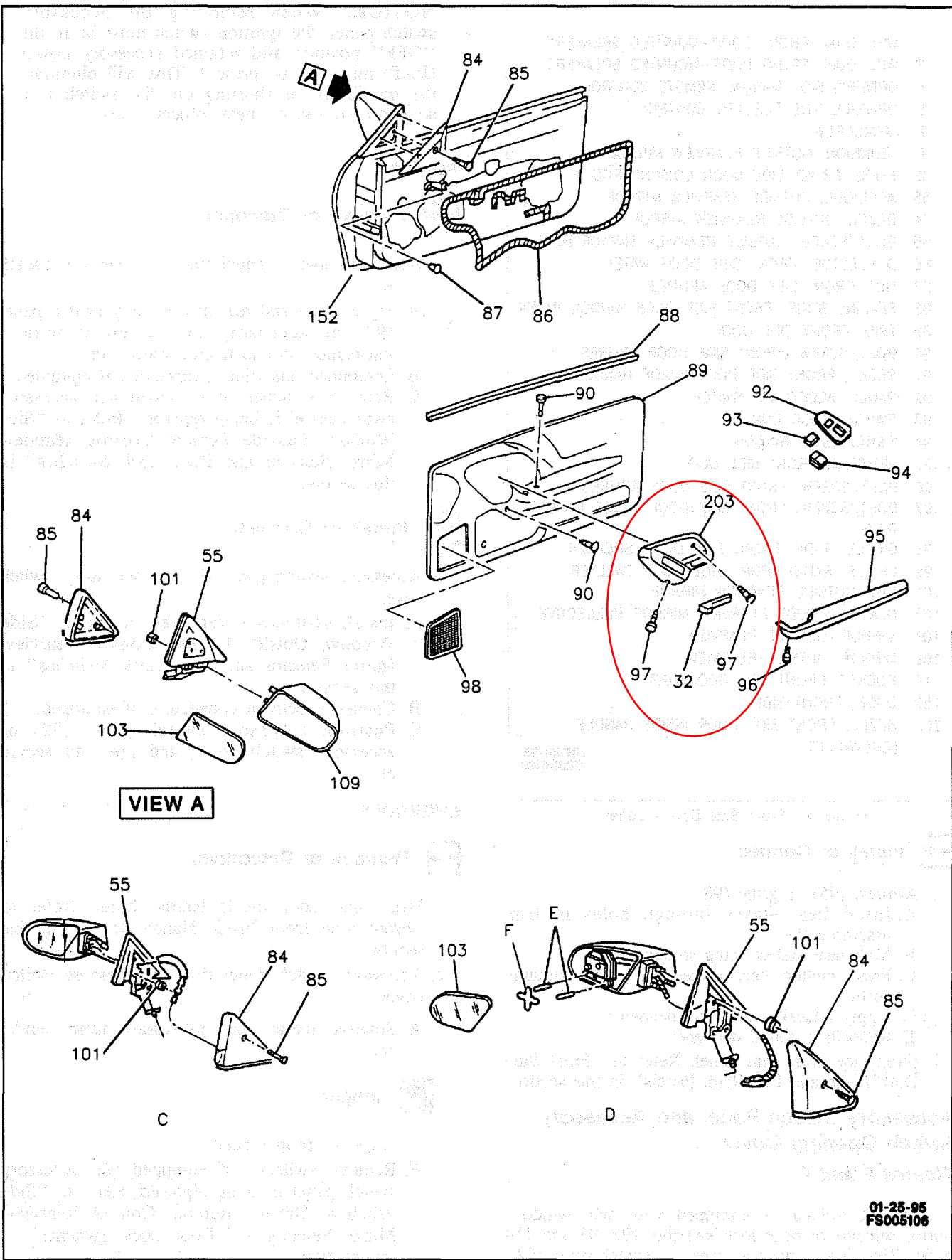


Figure 9 - Accessory Switch Panel - (Chevrolet)



01-25-95
FS005106

Figure 5 - Front Side Door - (Chevrolet)