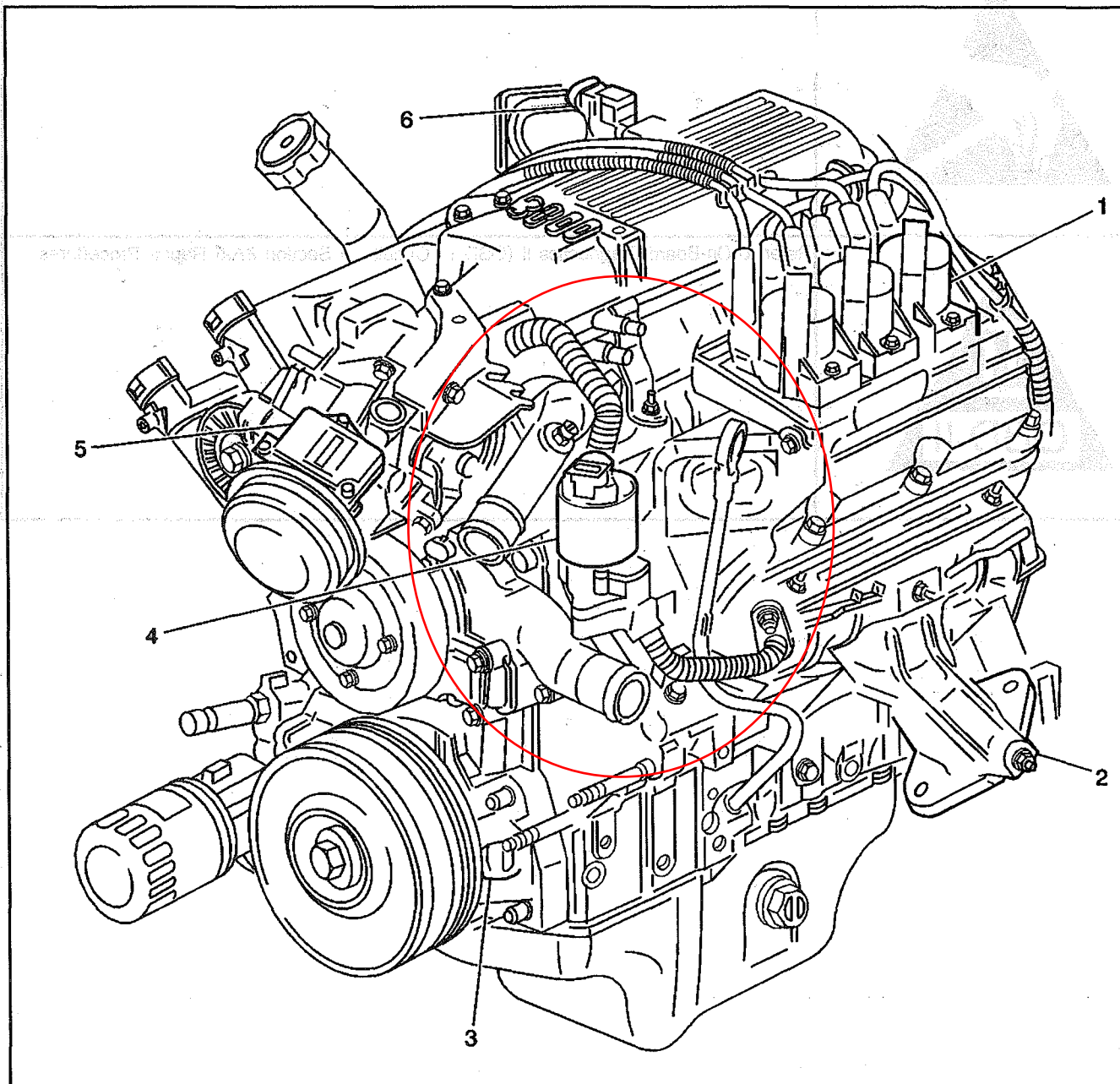


Component Locator

Engine Controls Component Location

Engine Component View (Left Side)



32540

Legend

- | | |
|------------------------------------------------------|---------------------------------------------|
| (1) Ignition Control Module (ICM) and Coils Assembly | (4) Exhaust Gas Recirculation (EGR) Valve |
| (2) Bank 1 Heated Oxygen Sensor 1 | (5) Mass Air Flow (MAF) Sensor |
| (3) Crankshaft Position (CKP) Sensor | (6) Manifold Absolute Pressure (MAP) Sensor |