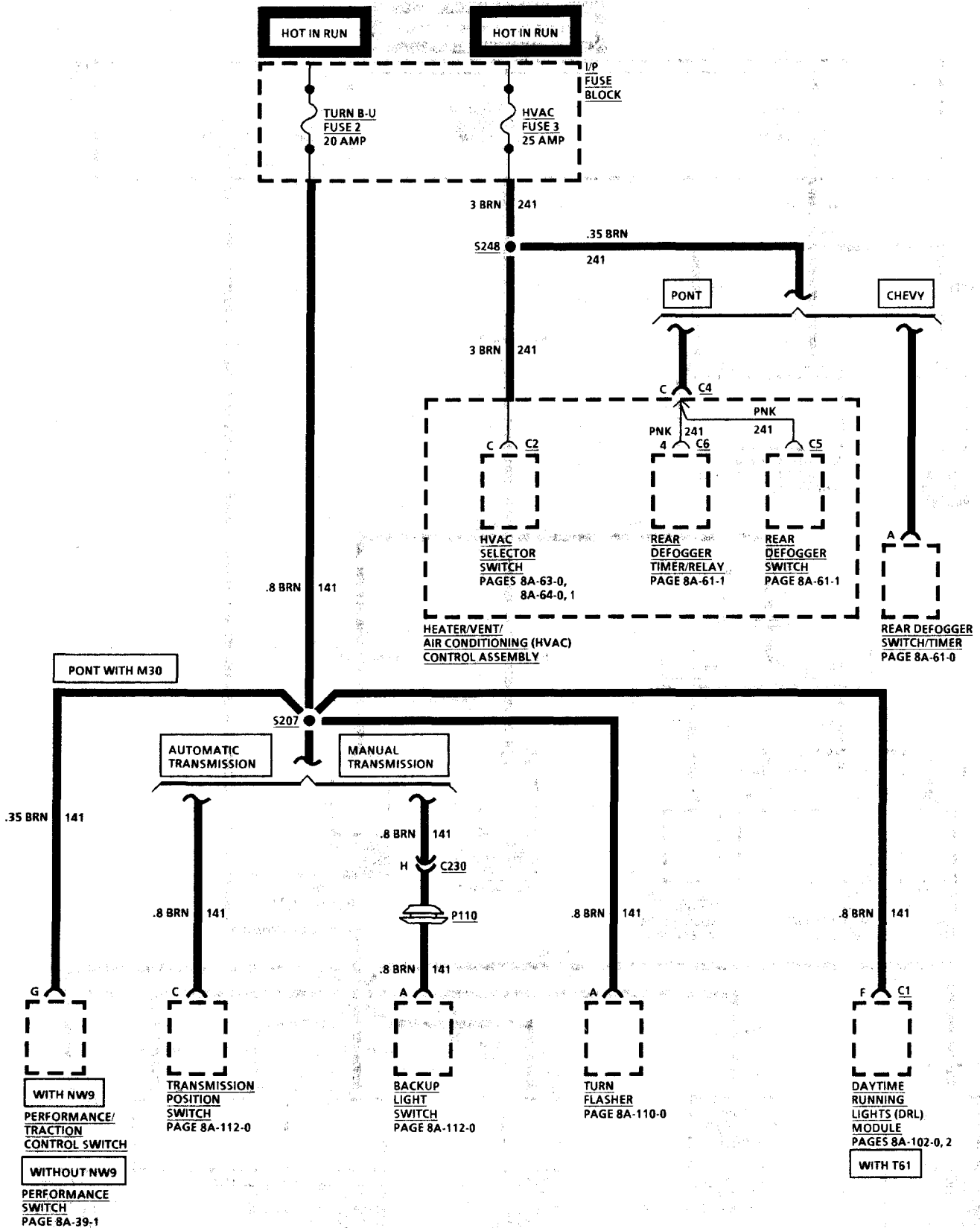
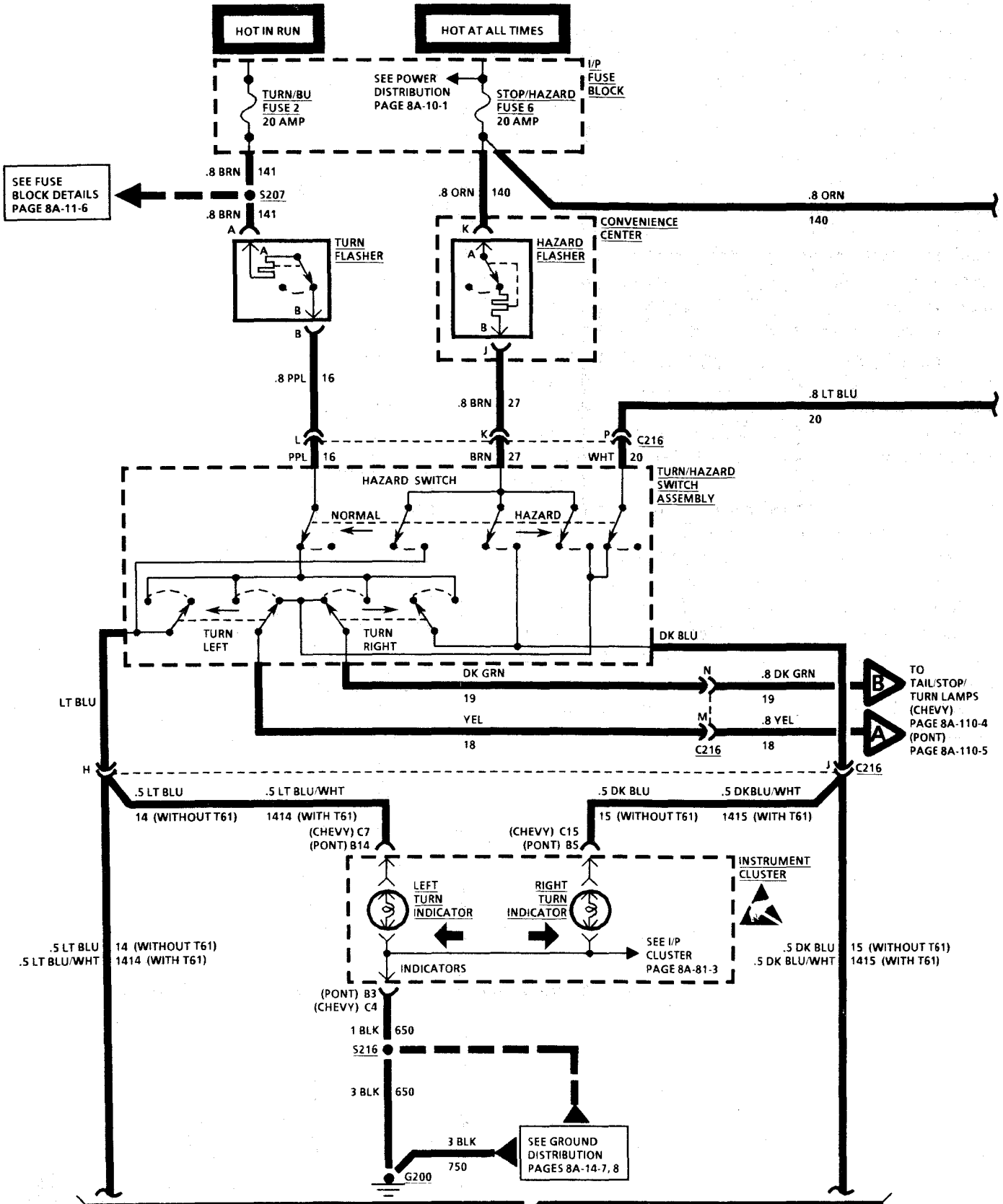


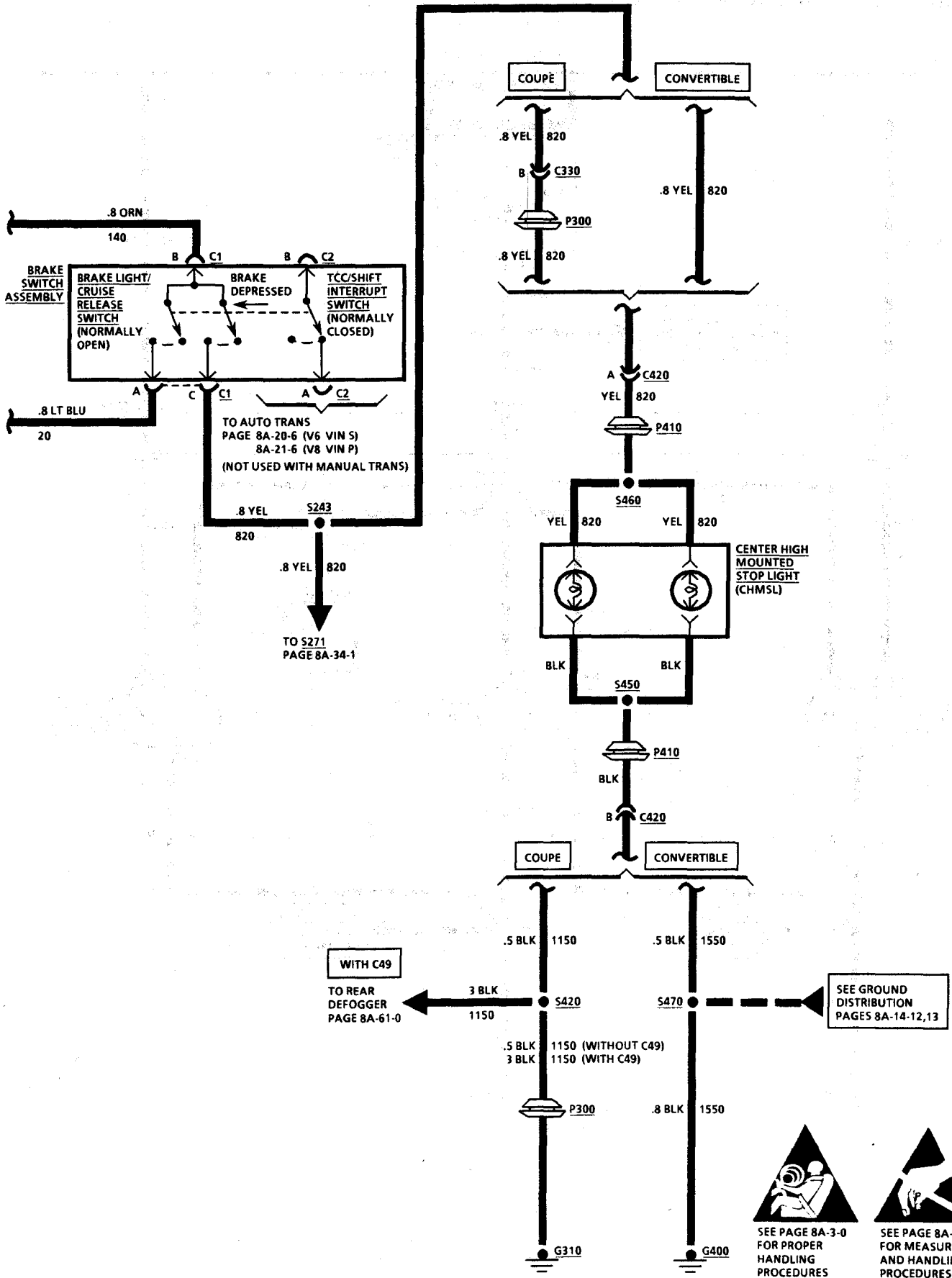
FUSE BLOCK DETAILS
I/P FUSES 2 AND 3



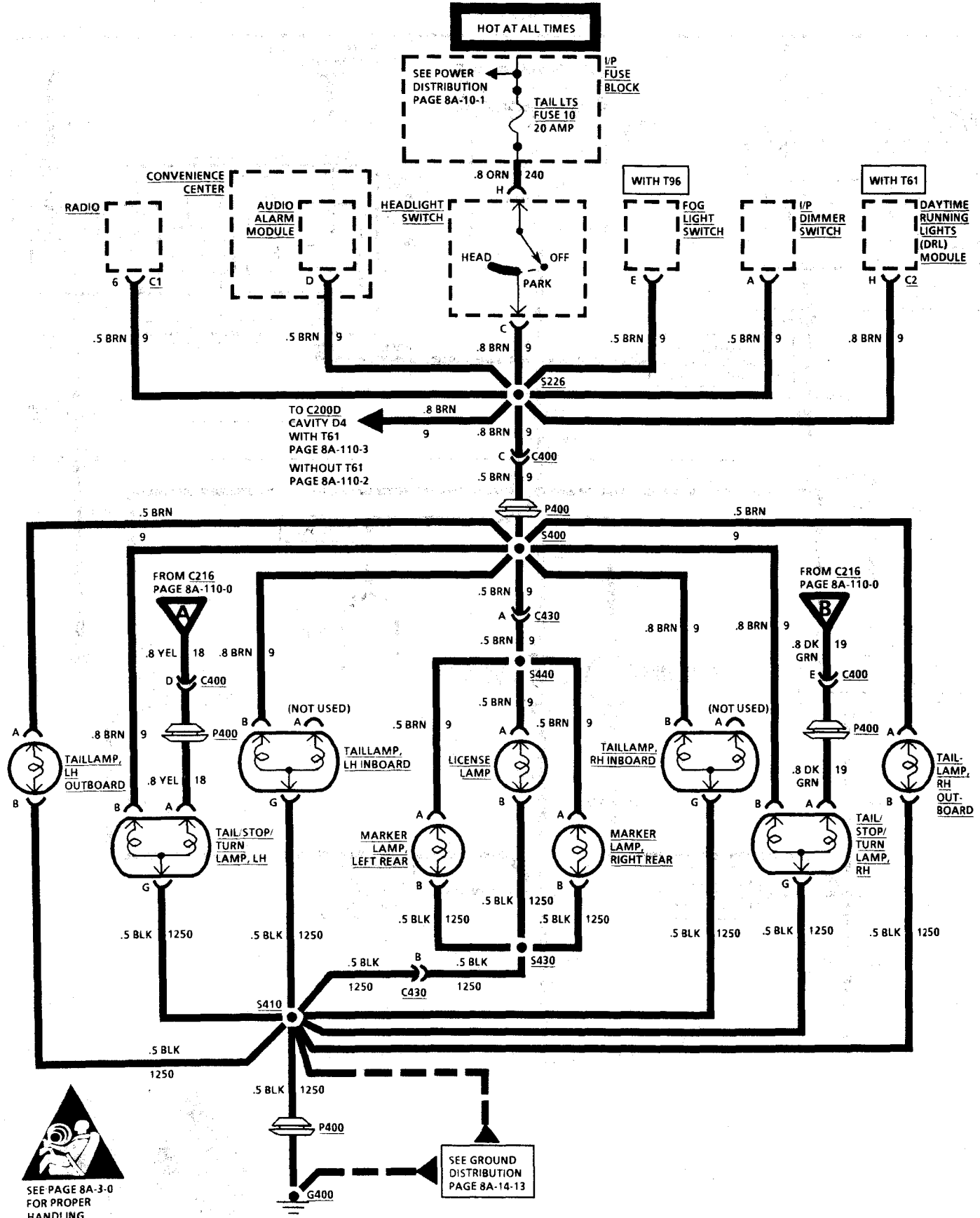
EXTERIOR LIGHTS
TURN/HAZARD/STOP



SEE PAGE 8A-110-2 FOR VEHICLE WITHOUT DAYTIME RUNNING LIGHTS (T61)
 SEE PAGE 8A-110-3 FOR VEHICLE WITH DAYTIME RUNNING LIGHTS (T61)



EXTERIOR LIGHTS (CHEVY)
REAR MARKER/LICENSE/TAIL/STOP/TURN



SEE PAGE 8A-3-0 FOR PROPER HANDLING PROCEDURES