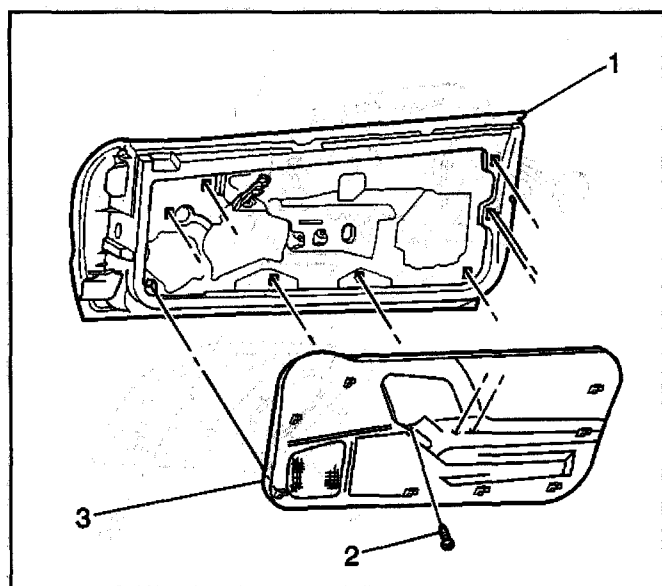


378680



378666

7. Install the lock rod knob (3), perform the following:
 - 7.1. Pull the lock rod (2) forward in pocket or inside the bezel.
 - 7.2. Align the lock rod knob (3) over the lock rod (2).
 - 7.3. Insert rearward end of lock rod knob (3) through the hole inside the bezel.
 - 7.4. Pull the knob (3) rearward until the end of the rod (2) slides into the depression end of the knob (3).
 - 7.5. Apply pressure to snap knob (3) over lock rod (2).

Trim Panel Replacement - Door

Removal Procedure

Tools Required

J 38778 Door Trim Pad and Garnish Clip Remover

1. Remove the accessory switch panel.
2. Remove the inside handle bezel. Refer to Handle Bezel Replacement - Inside.
3. Remove the window regulator handle and spacer, if equipped.
4. Remove the outside rearview mirror bezel. Refer to *Mirror Replacement*.
5. Remove the side door armrest bolts (2).

Important: To avoid breaking the trim panel fasteners be sure to insert the *J 38778* between the male fastener which is attached to the door trim panel and the female retainer which is in the door. Do not insert the *J 38778* between the female retainer and the door.

6. Remove the front side door trim from the door inner panel.
7. Pull the side door trim up from the door, making sure the hooks release from the holes in the door inner.
8. Disconnect the door speaker electrical connectors.
9. Remove the courtesy lamp socket from the door trim.