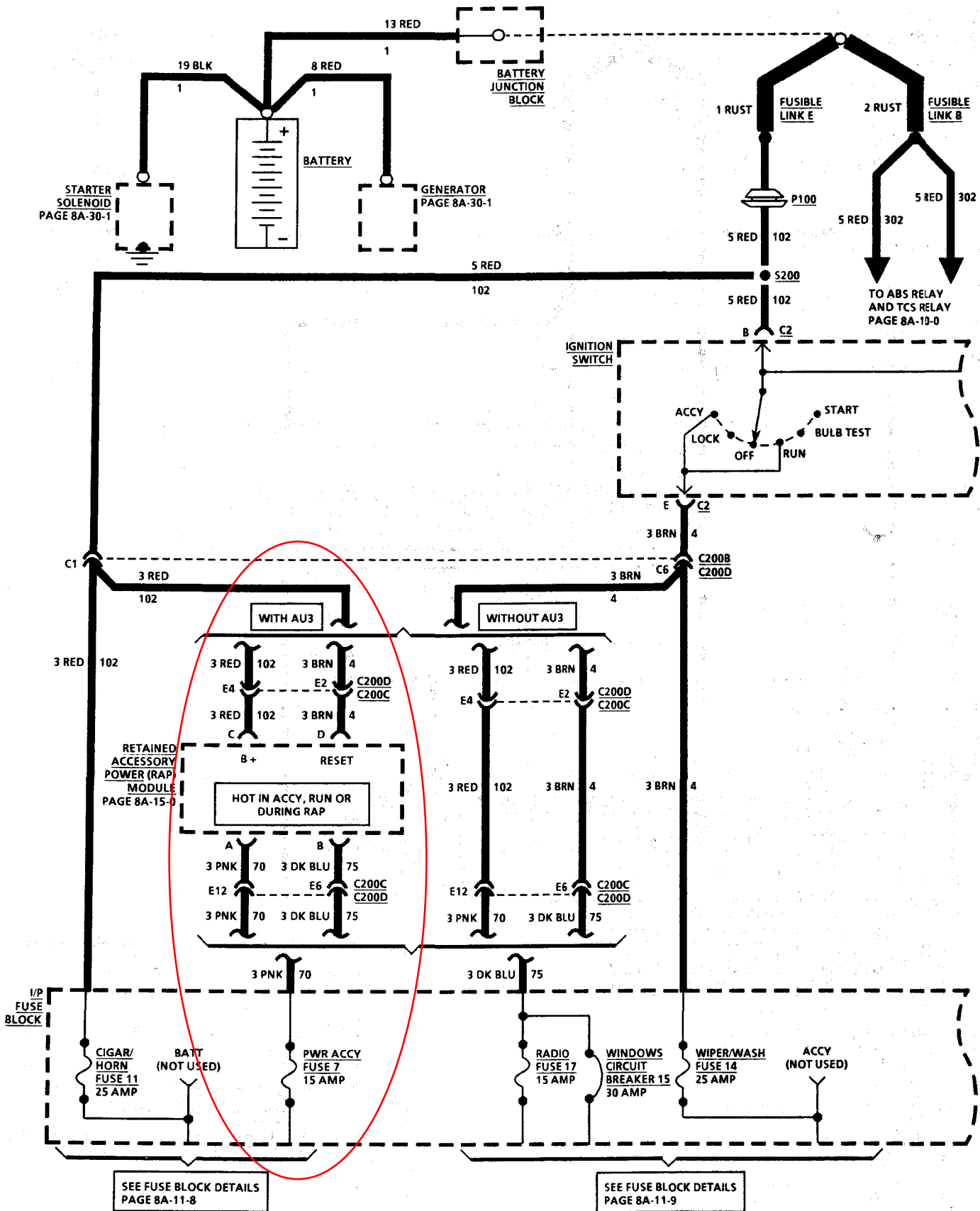
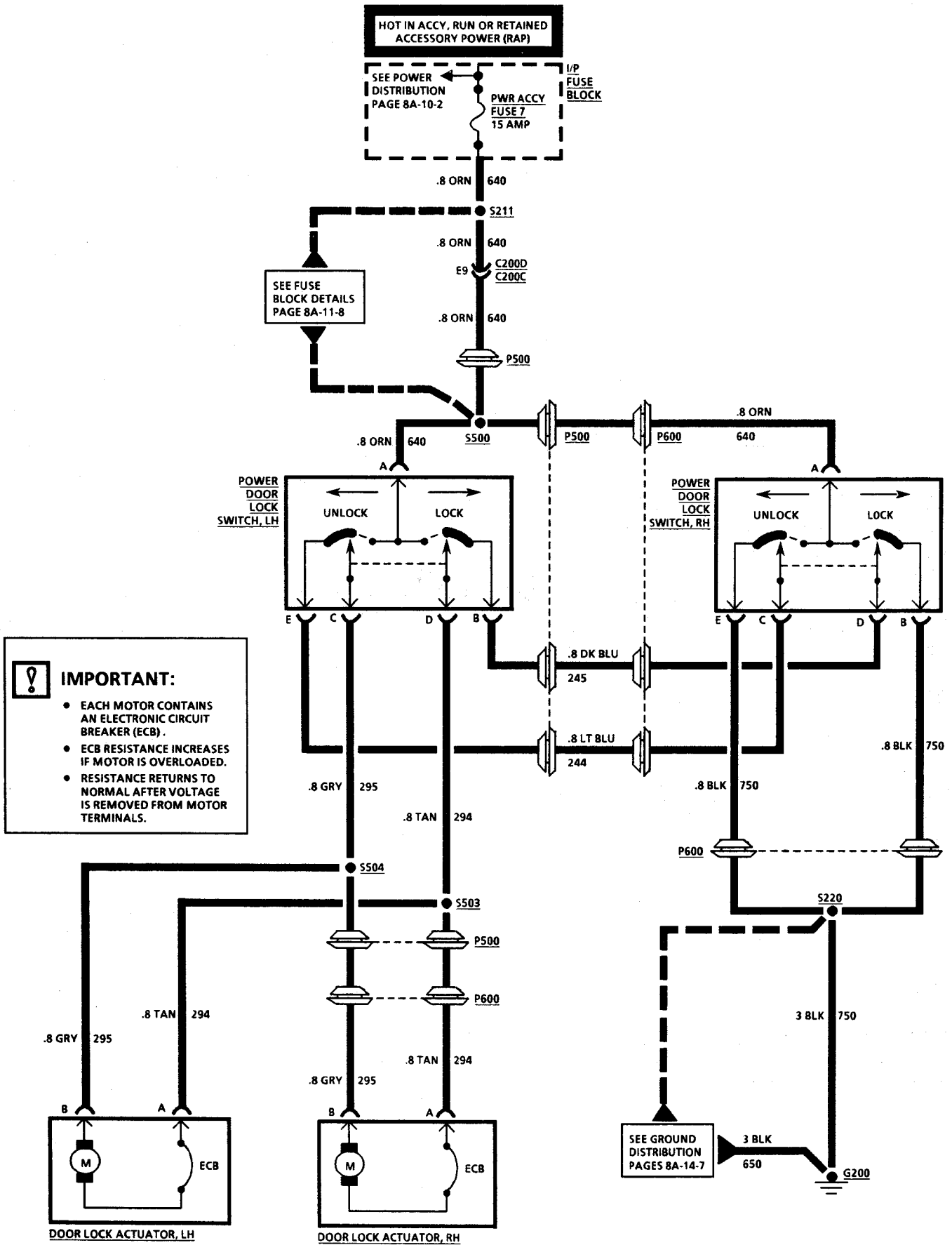


POWER DISTRIBUTION



POWER DOOR LOCKS (AU3)



! IMPORTANT:

- EACH MOTOR CONTAINS AN ELECTRONIC CIRCUIT BREAKER (ECB).
- ECB RESISTANCE INCREASES IF MOTOR IS OVERLOADED.
- RESISTANCE RETURNS TO NORMAL AFTER VOLTAGE IS REMOVED FROM MOTOR TERMINALS.