

43661

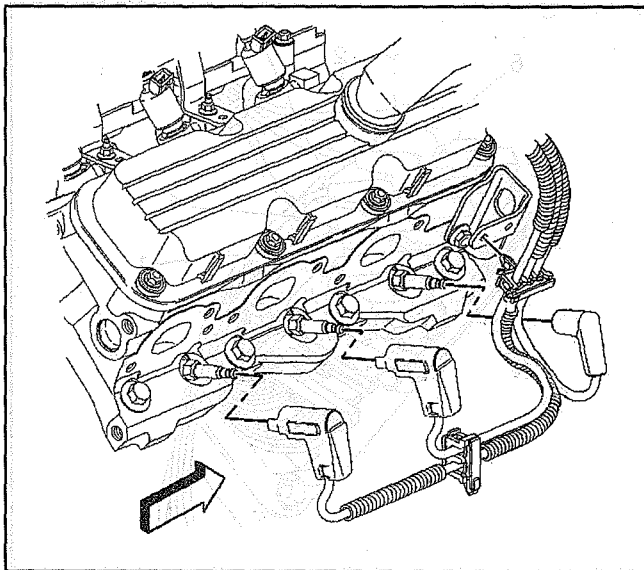
## Spark Plug Wire Harness Replacement (3.8 L Left Bank)

### Removal Procedure

1. Disconnect the odd numbered plug wires (1, 3, 5) from the ignition coils.

**Notice:** Twist the spark plug boot one-half turn in order to release the boot. Pull on the spark plug boot only. Do not pull on the spark plug wire or the wire could be damaged.

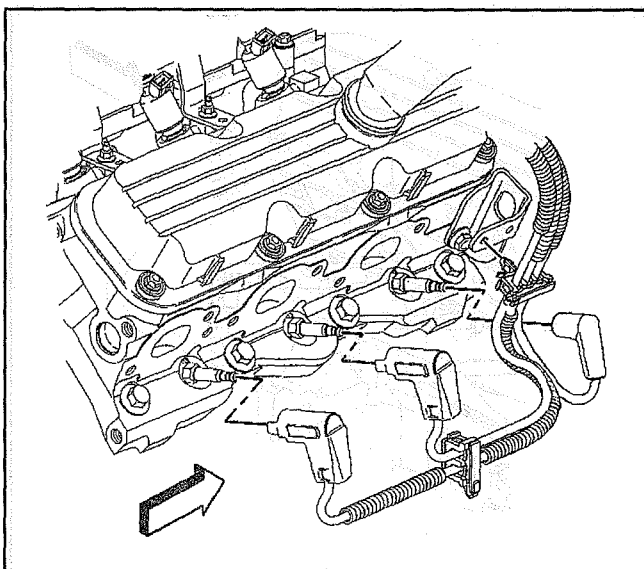
2. Raise and suitably support the vehicle. Refer to *Lifting and Jacking the Vehicle* in General Information.



211642

3. Remove the plug wires from the spark plugs.

4. Remove the spark plug wire harness from the vehicle.



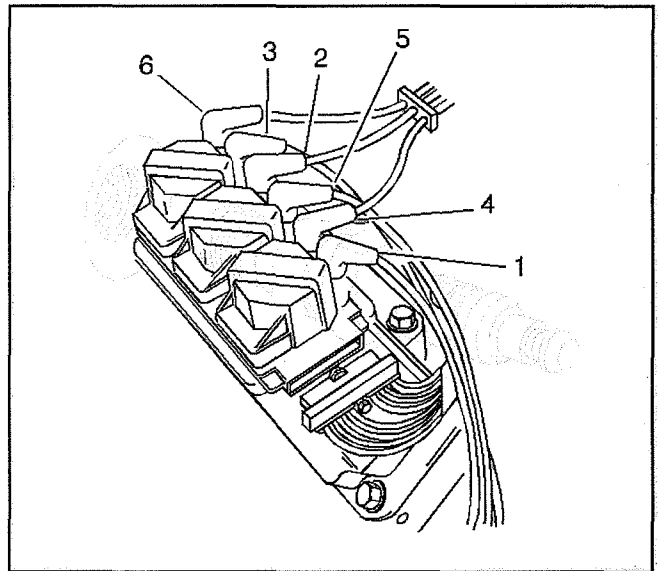
211642

### Installation Procedure

**Important:** The lower tabs of the heat shield must extend over the hex on the spark plug in order to complete installation of the heat shield and the boot on the spark plug.

1. Install the spark plug wire harness to the vehicle.
2. Install the spark plug wires to the spark plugs.
3. Lower the vehicle.

4. Connect the odd numbered plug wires (1, 3, 5) to the ignition coils.



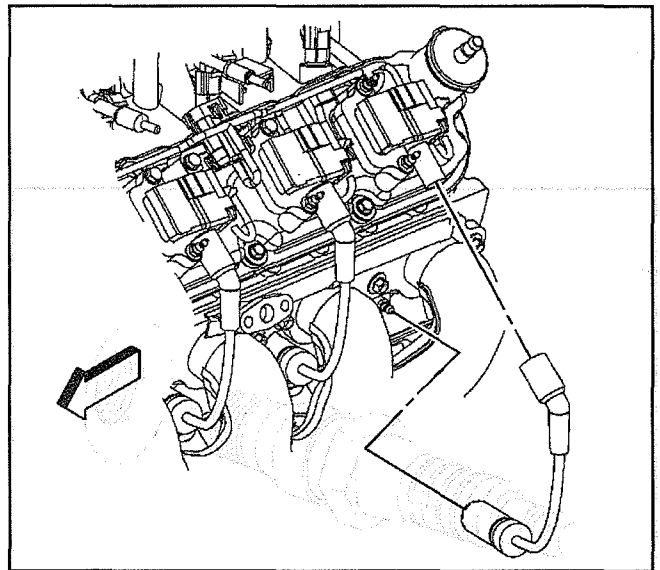
43661

### Spark Plug Wire Harness Replacement (5.7 L)

#### Removal Procedure

**Notice:** Twist the spark plug boot one-half turn in order to release the boot. Pull on the spark plug boot only. Do not pull on the spark plug-wire or the wire could be damaged.

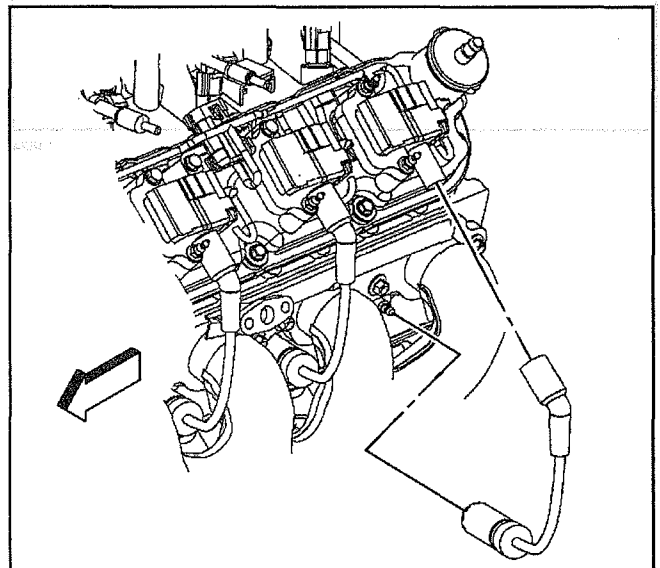
1. Disconnect the spark plug wire at each spark plug.
  - Twist each spark plug 1/2 turn.
  - Pull only on the boot in order to remove the wire from each spark plug.
2. Disconnect the spark plug wire from the ignition coil.
  - Twist each spark plug boot 1/2 turn.
  - Pull only on the boot in order to remove the wires from the ignition coil.



211641

#### Installation Procedure

1. Install the spark plug wires at the ignition coil.
2. Install the spark plug wire to each spark plug.
3. Inspect the wires for proper installation:
  - Push sideways on each boot in order to inspect the seating.
  - Reinstall any loose boot.



211641