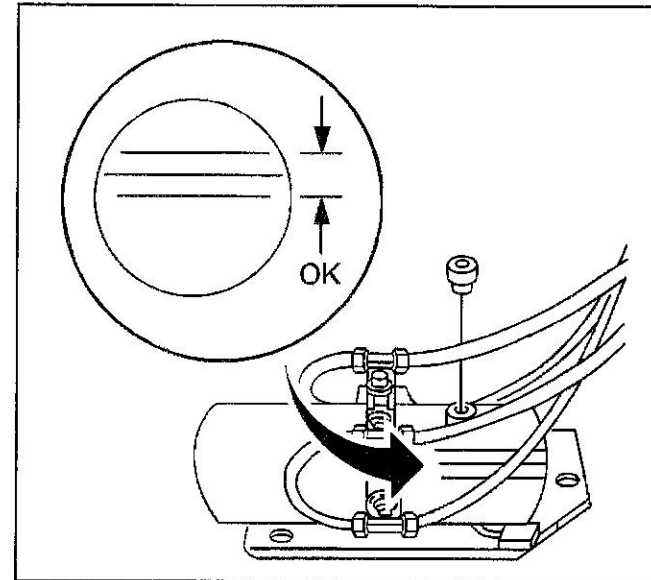


Power Folding Top - Adding Fluid

Important: Place the vehicle on a level surface.

1. Lower the folding top.
2. Remove the left side trim panel from the rear compartment. Refer to *Trim Panel Replacement - Cargo Area Side* on page 8-1016 in Interior Trim.
3. Place a shop towel around the pump/motor in order to control oil spillage.
4. Remove the reservoir filler plug.
5. Add Dexron® 111 Automatic Transmission Fluid U.S. P/N 12378470, Canadian P/N 10952622 until the level is between the upper and the lower reservoir indicator lines.
6. Install the reservoir filler plug.
7. Cycle the folding top up and down several times.
8. Inspect the fluid when the top is in the down position and add fluid if necessary.
9. Install the left side trim panel to the rear compartment. Refer to *Trim Panel Replacement - Cargo Area Side* on page 8-1016 in Interior Trim.

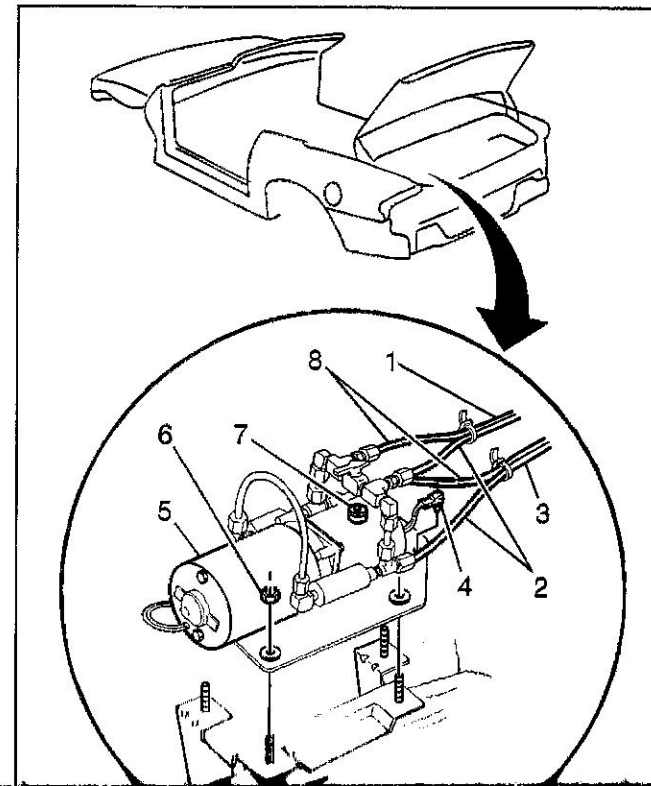


652297

Power Folding Top Pump with Motor Replacement

Removal Procedure

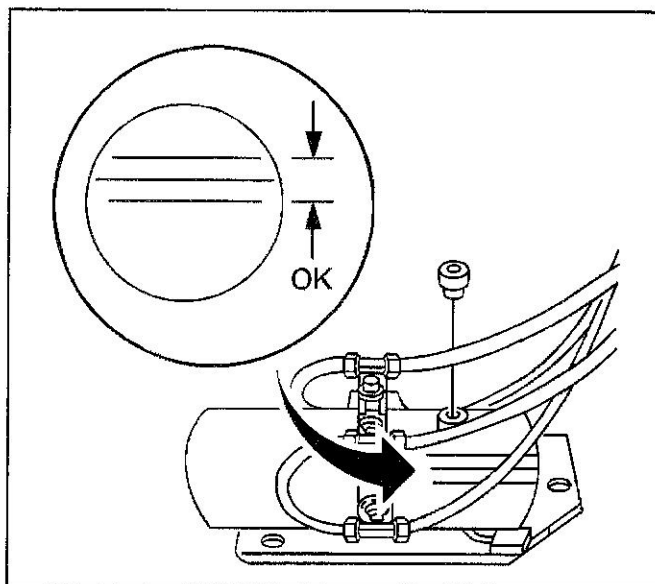
1. Remove the left rear compartment side trim panel. Refer to *Trim Panel Replacement - Cargo Area Side* on page 8-1016 in Interior Trim.
2. Disconnect the electrical connector from the pump.
3. Remove the cylinder hose (1,3) from the pump (5).
4. Use a shop towel in order to control hydraulic oil leakage.
5. Remove the pump nuts (6).
6. Remove the pump (5) with the motor.



Power Folding Top - Adding Fluid

Important: Place the vehicle on a level surface.

1. Lower the folding top.
2. Remove the left side trim panel from the rear compartment. Refer to *Trim Panel Replacement - Cargo Area Side* on page 8-1016 in Interior Trim.
3. Place a shop towel around the pump/motor in order to control oil spillage.
4. Remove the reservoir filler plug.
5. Add Dexron® 111 Automatic Transmission Fluid U.S. P/N 12378470, Canadian P/N 10952622 until the level is between the upper and the lower reservoir indicator lines.
6. Install the reservoir filler plug.
7. Cycle the folding top up and down several times.
8. Inspect the fluid when the top is in the down position and add fluid if necessary.
9. Install the left side trim panel to the rear compartment. Refer to *Trim Panel Replacement - Cargo Area Side* on page 8-1016 in Interior Trim.



652297

Power Folding Top Pump with Motor Replacement

Removal Procedure

1. Remove the left rear compartment side trim panel. Refer to *Trim Panel Replacement - Cargo Area Side* on page 8-1016 in Interior Trim.
2. Disconnect the electrical connector from the pump.
3. Remove the cylinder hose (1,3) from the pump (5).
4. Use a shop towel in order to control hydraulic oil leakage.
5. Remove the pump nuts (6).
6. Remove the pump (5) with the motor.

