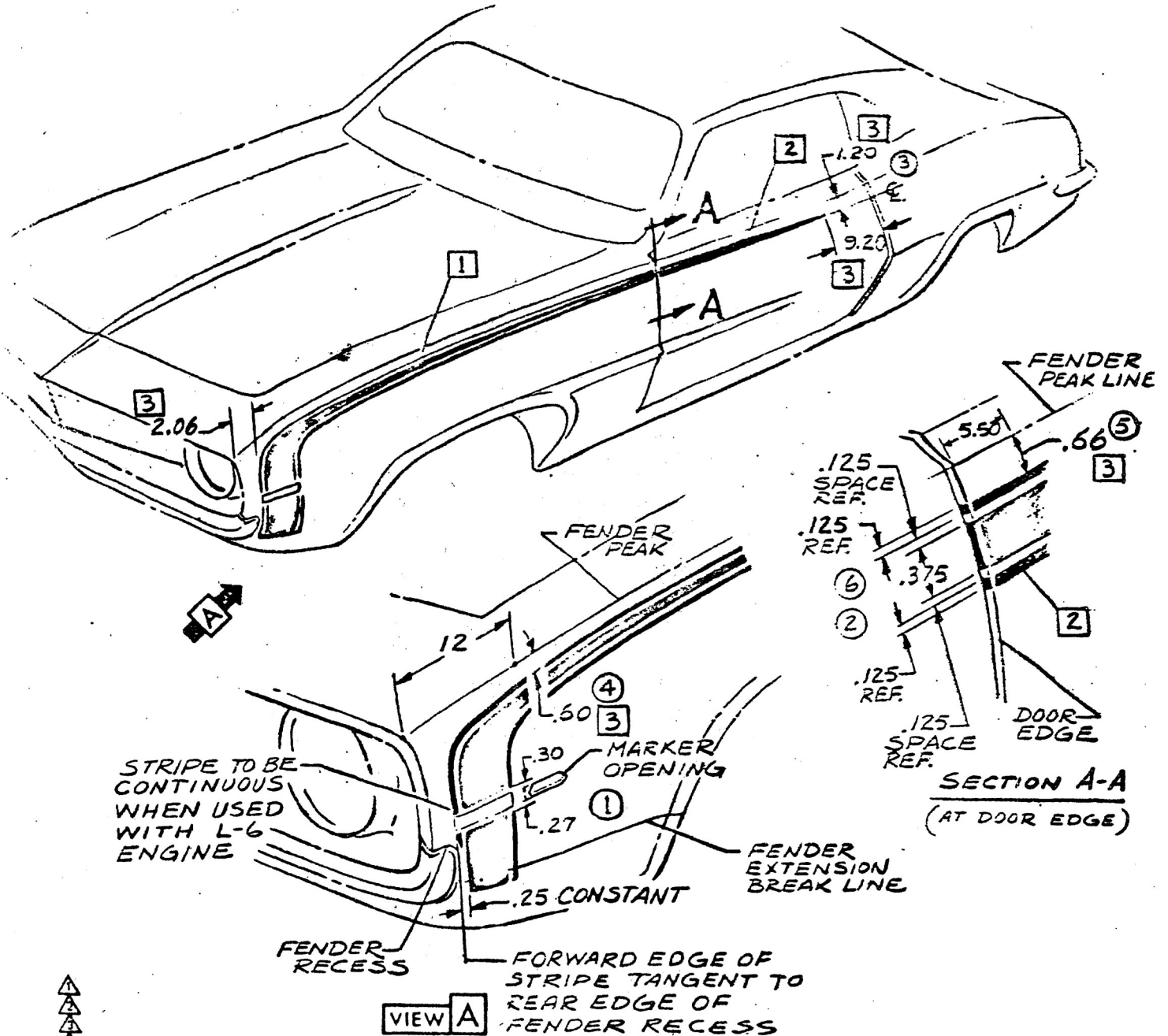


- 1** 3940144 FENDER & BODY STRIPE-CHART
- 2** 3957067 STRIPE-FRONT DOOR
- 3** ON SURFACE DIMENSION



• CHEVROLET MOTOR DIVISION, GMC •		UPC	DATE	SYM	REVISION RECORD	AUTH.	DR.	CK
FRONT FENDER & DOOR PAINT STRIPE	12000	<b>D90</b>	8-14-63	1	VIEW A REVISED	98244	EN	
			8-23-63	2	SECTION AA REVISED			DP
				3	DIM. 1.20 WAS 1.03			EN
				4	DIM. .66 WAS .50			
				5	DIM. .36 WAS .33			DP
			8-20-63	6	DIM. .375 WAS 3.75	83325	EN	
				7	ITEM 3 ADDED			48
3-7-22	EN REF. FOR 97175LS-110841							
REL 7-24	7B + L							