



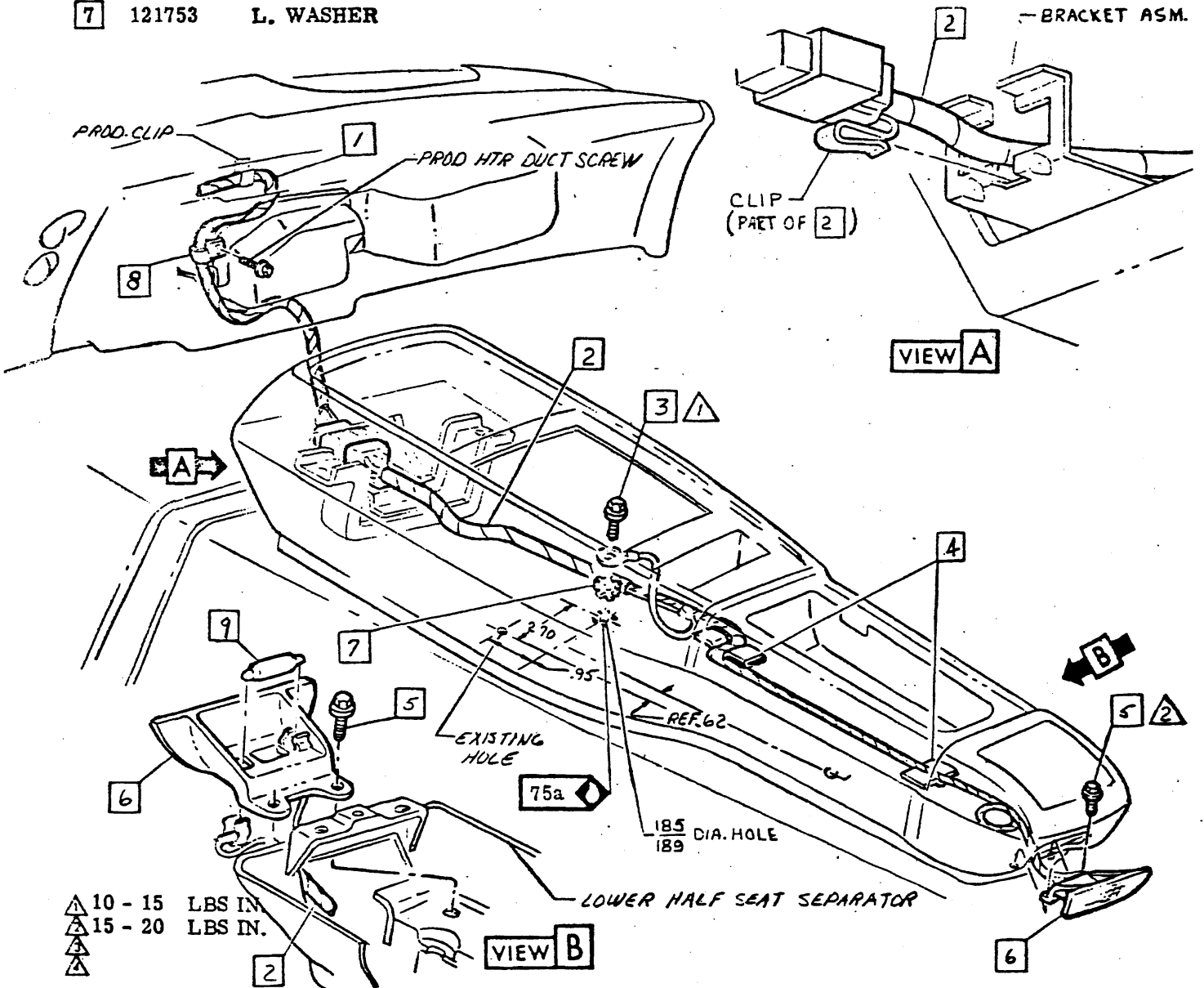
CHEVROLET

**ASSEMBLY INSTRUCTIONS**

3940195

1969 CAMARO 12000 SERIES

- 1 6297556 HARNESS ASM (EXC M35, M38, M40 & MB1)
- 2 6297580 HARNESS ASM (EXC M35, M38, M40 & MB1)
- 3 9422404 SCREW
- 4 3724852 TAPE (Approx (2) pcs 3 in. long) (Used to tape item 2)
- 5 9420686 SCREW
- 6 3919077 LENS
- 7 121753 L. WASHER
- 8 3799990 CLIP
- 9 9414049 BULB
- 10 9423117 OPT
- 75a SEALER .03 OZ.



- ▲ 10 - 15 LBS IN.
- ▲ 15 - 20 LBS IN.
- ▲
- ▲

• CHEVROLET MOTOR DIVISION, GMC •		UPC	DATE	SYM	REVISION RECORD	AUTH.	DR	CK
FRONT COMPARTMENT FLOOR CONSOLE - WIRING		D55						
12000		A6						
DRAWING PREPARED BY REF. PREP. A2 L-8539/L								
DATE REL. 4-27-68 MB + L- L- L-								

245