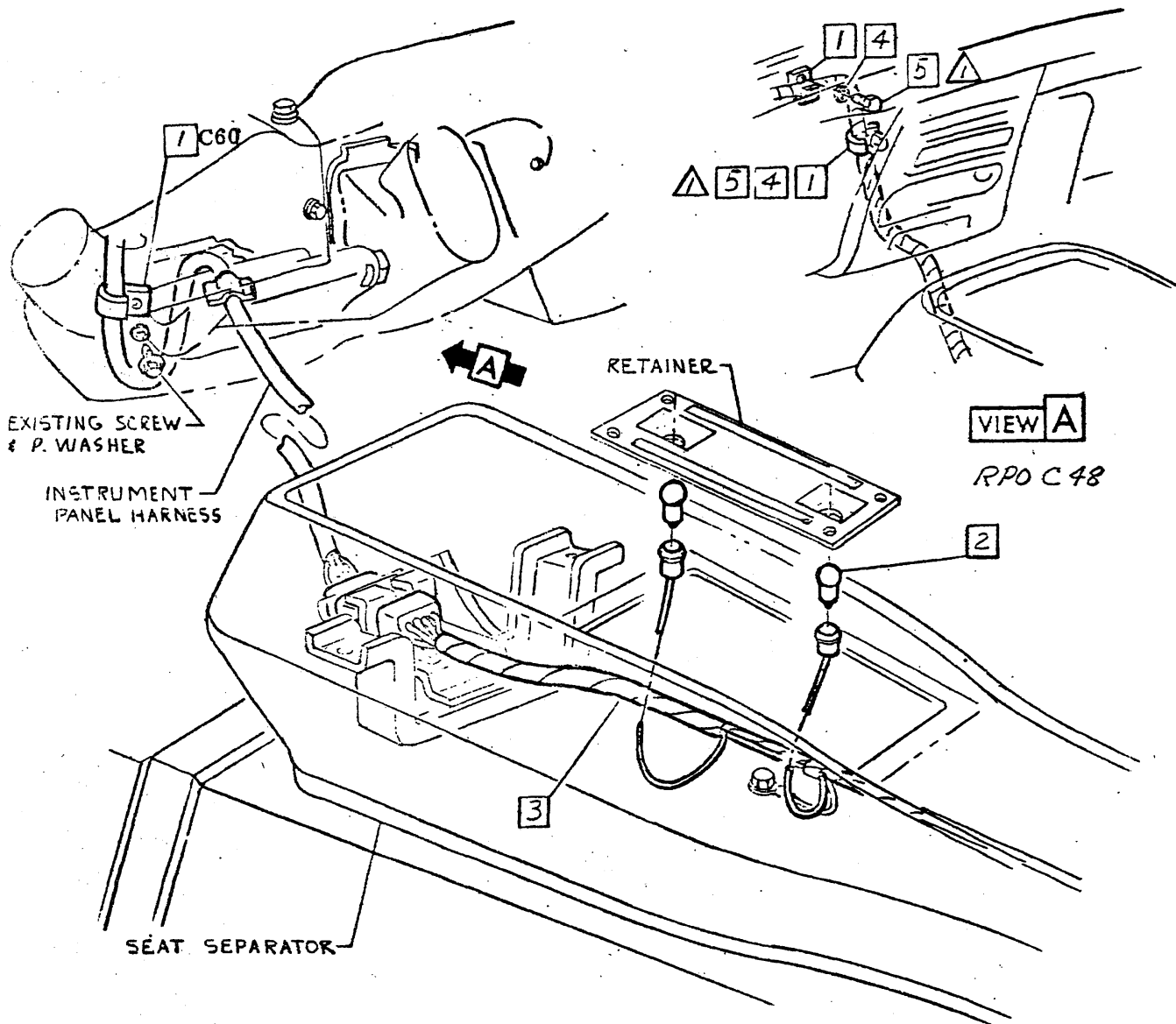




- ① 1 3799990 CLIP
- 2 274004 BULB-RPO M35, M38 & M40
- 3 6297578 WIRE ASM-RPO M35, M38 & M40
- 4 3769610 WASHER
- 5 9421159 SCREW



▲ 15 - 20 LBS IN.
 ▲
 ▲
 ▲

• CHEVROLET MOTOR DIVISION, GMC •				UPC	DATE	SYM	REVISION RECORD	AUTH	DR	CK
FRONT COMPARTMENT FLOOR CONSOLE - HARNESS ROUTING				D55	6-28-68	1	WAS 3909586 CLIP	6015	AE	DP
MOD 12000				A7						
DWG 3-23	PR	REF. A7	L-8539/ L-83953							
DATE REL 5-1	40	+ L-	L- L-							