

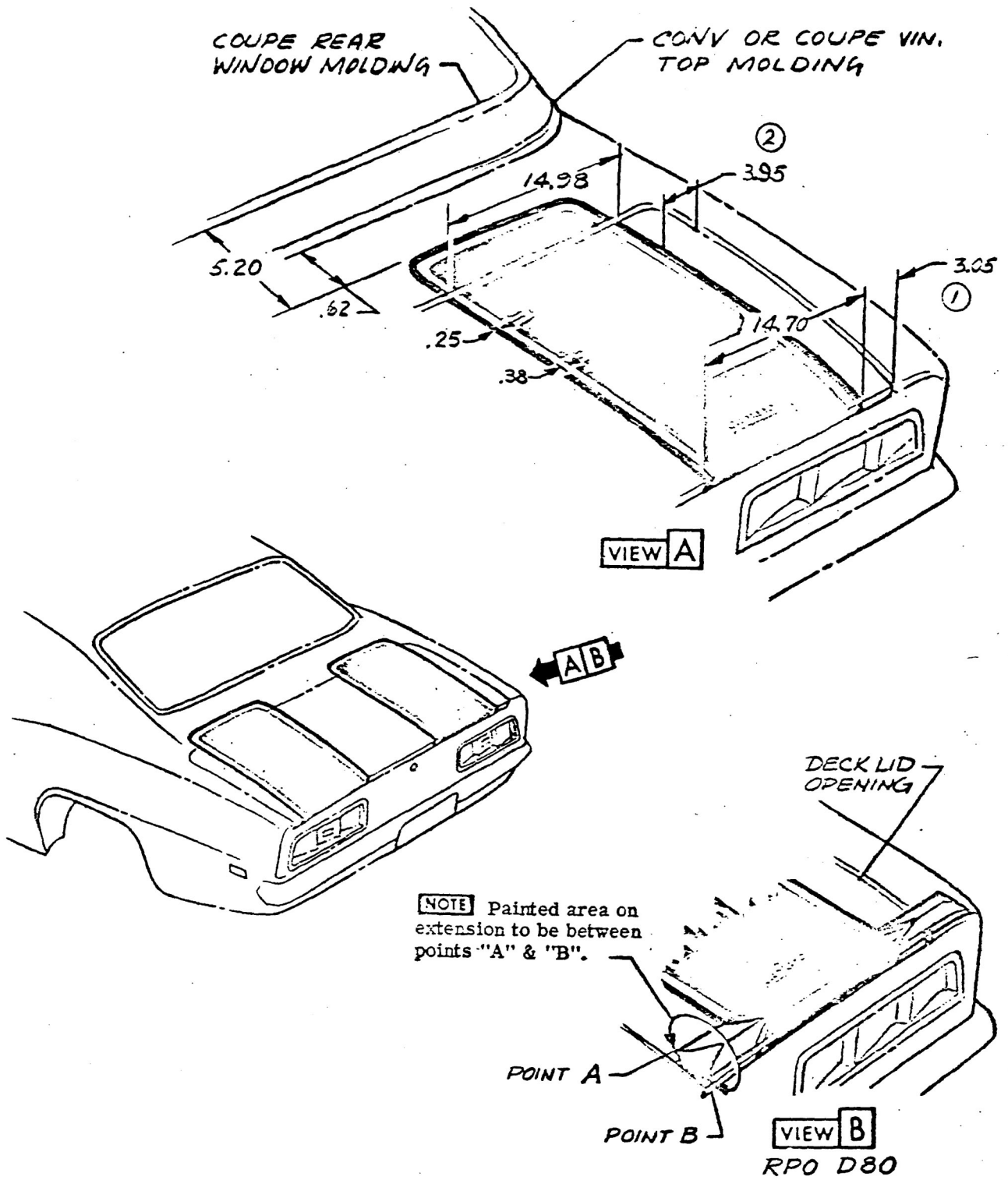


CHEVROLET

ASSEMBLY INSTRUCTIONS

3940195

1969 CAMARO 12000 SERIES



NOTE Painted area on extension to be between points "A" & "B".



• CHEVROLET MOTOR DIVISION, GMC •		UPC	DATE	REV	REVISION RECORD	AUTH.	DR	CK
TITLE	SPECIAL COUPE EQUIP. (302 CU. IN.) PAINT STRIPE-REAR		Z28	1	HAS 489 DIMENSION	350012		
				2	HAS 2.70 DIMENSION			
MODEL	12437-637		B2					
DWG PREL	J-8	E.N.		REF: Prel. B2 5-108895L-				
DATE	REL 4-29	HA	+ 1-					

475