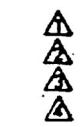
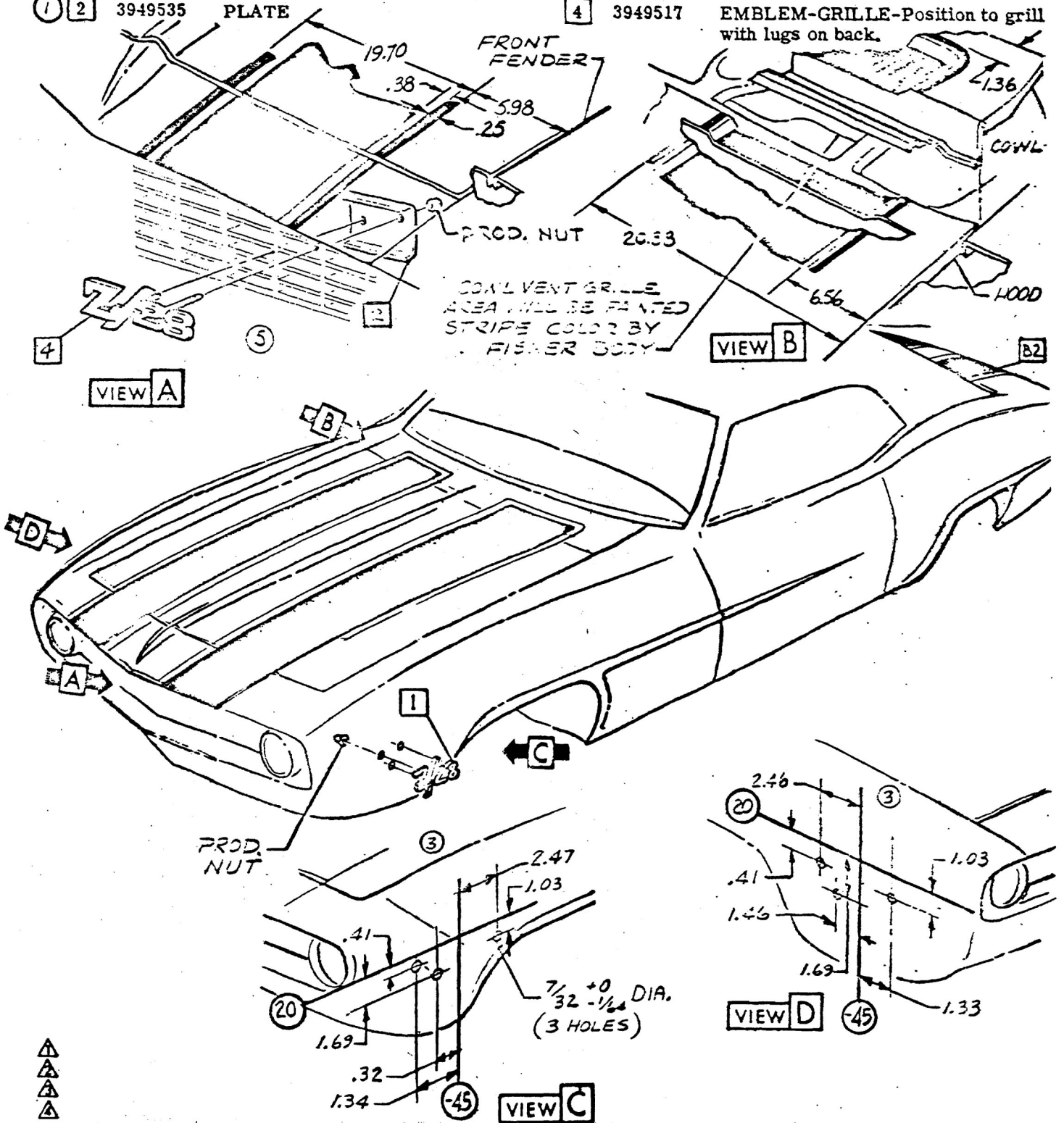


3940195

1969 CAMARO 12000 SERIES

- ① 3949681-2 EMBLEM L. & R.H.
- ② 3949535 PLATE

- ③
- ④ 3949517 EMBLEM-GRILLE-Position to grill with lugs on back.



• CHEVROLET MOTOR DIVISION, GMC •				UPC	DATE	SYN	REVISION RECORD	AUTH	DE	CK
SPECIAL COUPE EQUIP. (302 CU. IN.) PAINT STRIPE & EMBLEM-FRONT				Z28	REV. 1	REVISED 384	ADDED	25525	EM	DP
					REV. 2	3949535	NUT RM.D.	25525	EM	DP
				REV. 3	DIMENSIONS IN 1. ENG		25525	EM		
				REV. 4	HOLE SIZE ADDED		25525	EM		
				REV. 5	NOTE REMOVED		25525	EM		
				REV. 6			25525	EM		