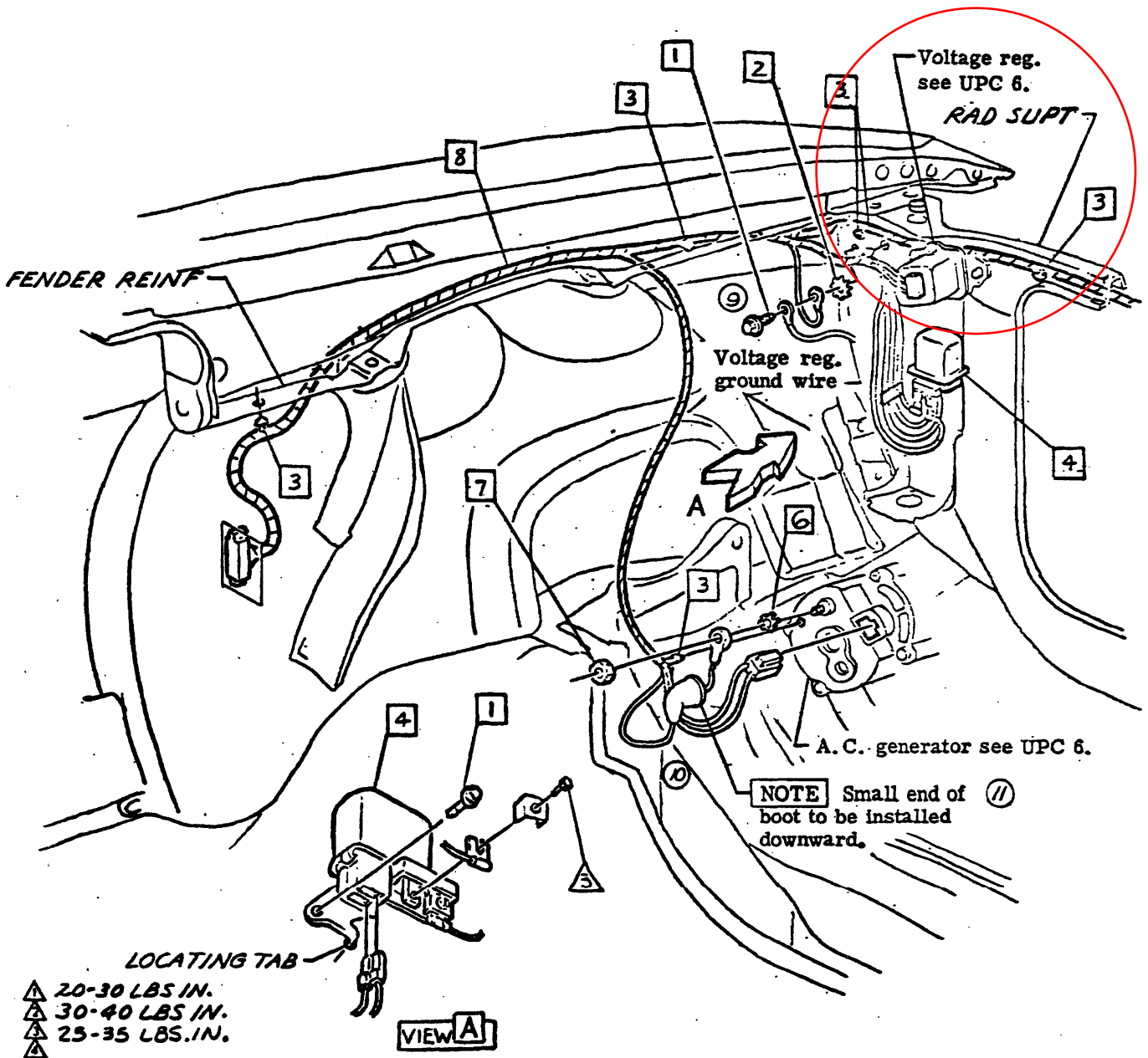


- ① 1 9420415 SCREW
- ② 174916 L. WASHER
- ③ CLIP-Part of 8
- ④ 1115837 RELAY ASM-HORN
- ⑤

- ⑥ 125751 L. WASHER
- ⑦ 121743 NUT
- ⑧ 6292093 HARNESS ASM-GEN & FWD HEADLAMP-L6 ENG. V8 ENG



• CHEVROLET MOTOR DIVISION, GMC •				UPC	DATE	SYM	REVISION RECORD	AUTH	DR	CK	
GENERATOR, REGULATOR & RELAY WIRING				12	11-16-66	9	GROUND WIRE ADDED	52288	EM	DF	
					3-3-67	10	BOOT DWG. REVISED	85630	RT		
						11	"BOOT" NOTE REVISED			CI	
12000				A7							
DWG PREL 1-13 w/d REF: Prel. A5 L- L-											
DATE REL 3-1 DP L- L- L-											
				SHEET							

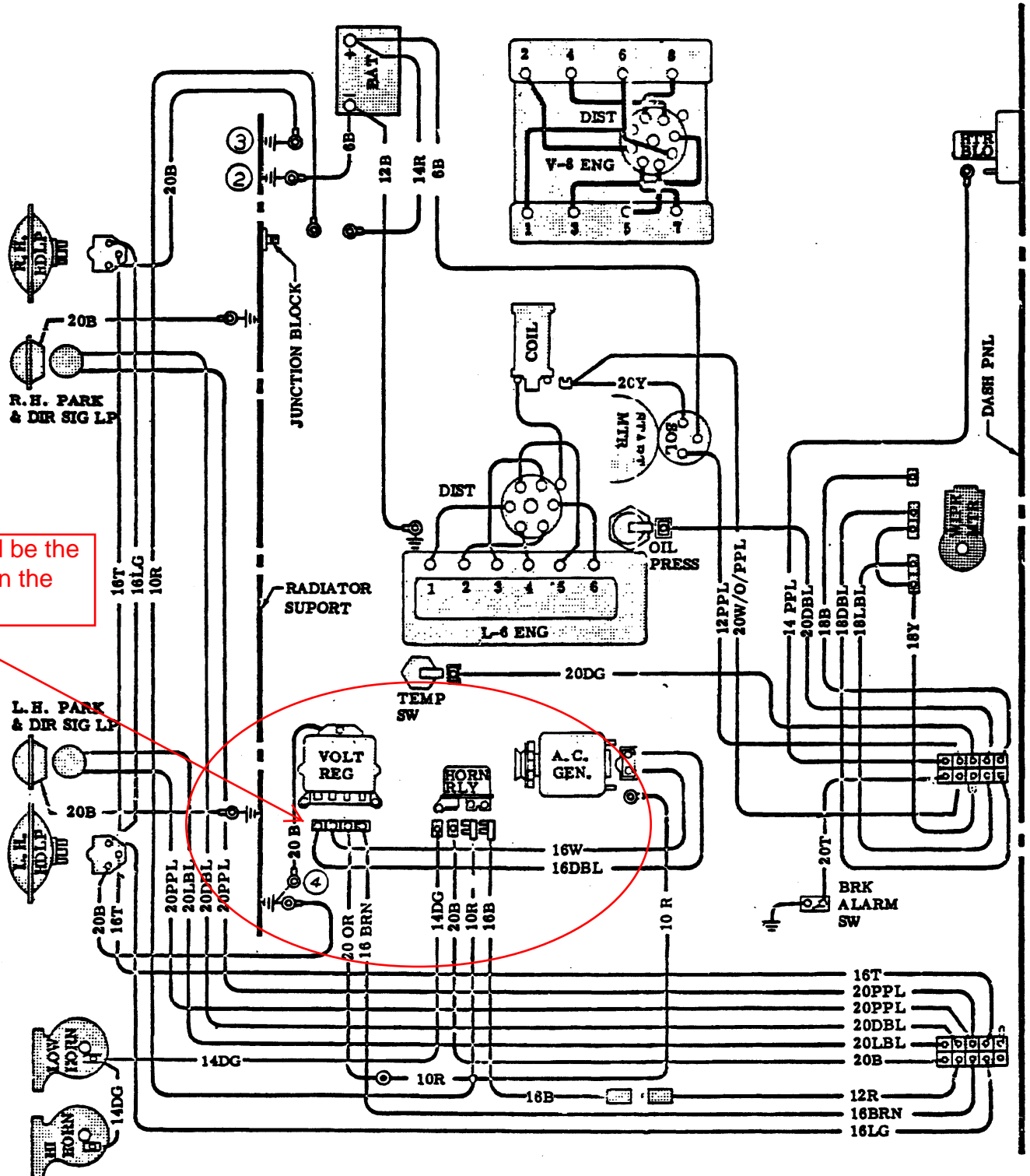


CHEVROLET

ASSEMBLY INSTRUCTIONS

3891775 "F" CAR 12000 SERIES

This should be the connector in the picture



• CHEVROLET MOTOR DIVISION, GMC •		UPC	DATE	SYA	REVISION RECORD	AUTH.	DR	CK
REF-1 WIRING DIAGRAM-FRONT END & ENGINE COMPARTMENT	DO 12000	12	7-15-66	1	REDRAWN & REDESIGNED		EK	DP
			10-7-66	2	BAT. GROUND REVISED	82388	RV	DF
			11-29-66	3	GROUND WIRES REVISED	82388	RV	
				4	VOLT REG GROUND ADDED			DF
DWG PREL 1229	R.V.	REF: Prel. DA	L-	L-				
DATE REL 3-1		L-79463	L-	L-				
		D1						
		SHEET 1						