

• CHEVROLET MOTOR DIVISION, GMC •

UPC

DATE SYM

REVISION RECORD

AUTH. DR. CK.

WIRING DIAGRAM-FUSE PANEL

12

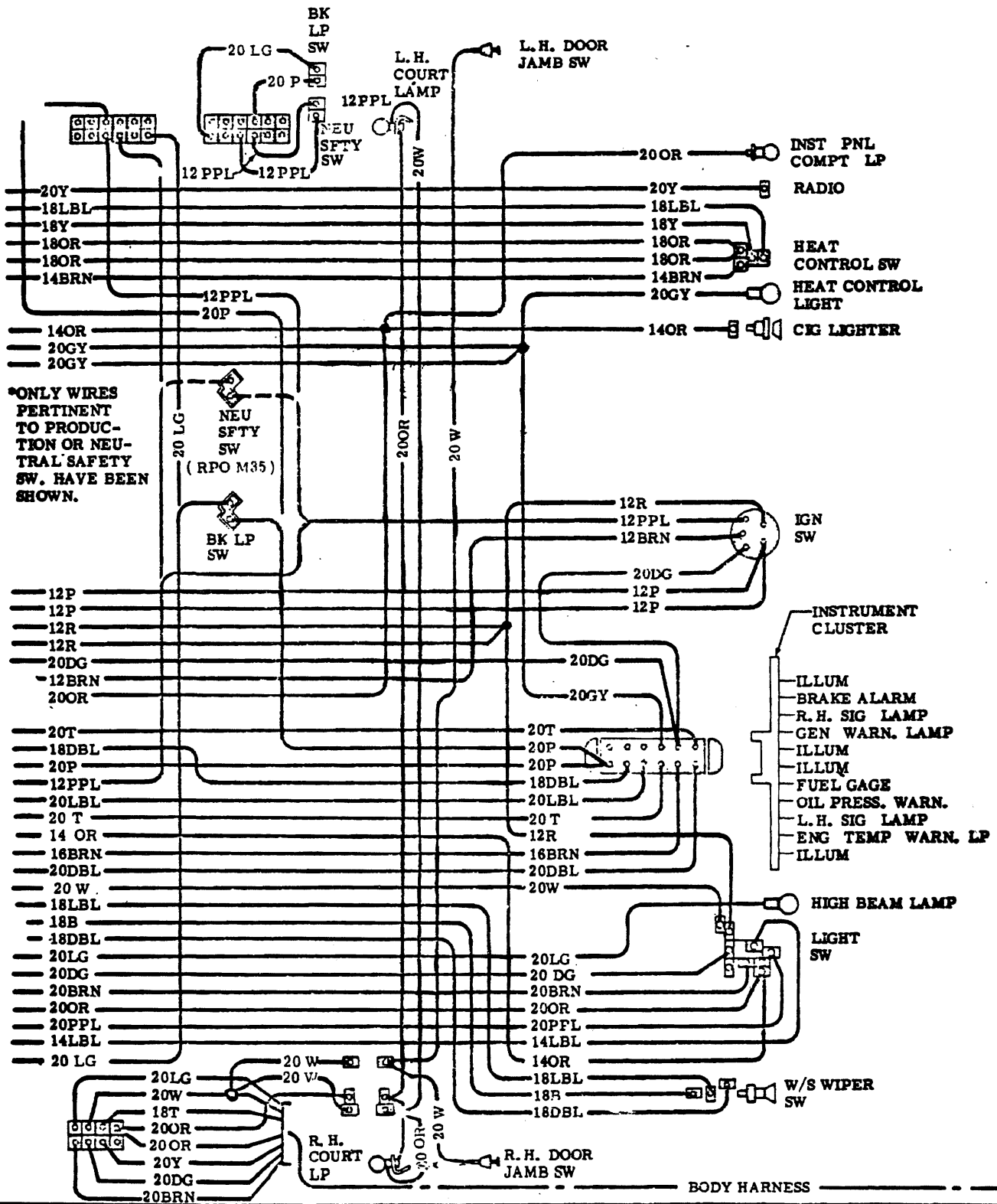
7-15-66 1 REDRAWN & REDESIGNED

D2

12000

DWG PREL 2-27 RV. REF: Prel. D1 L- L-
DATE REL 3-1 L-79463 L- L-

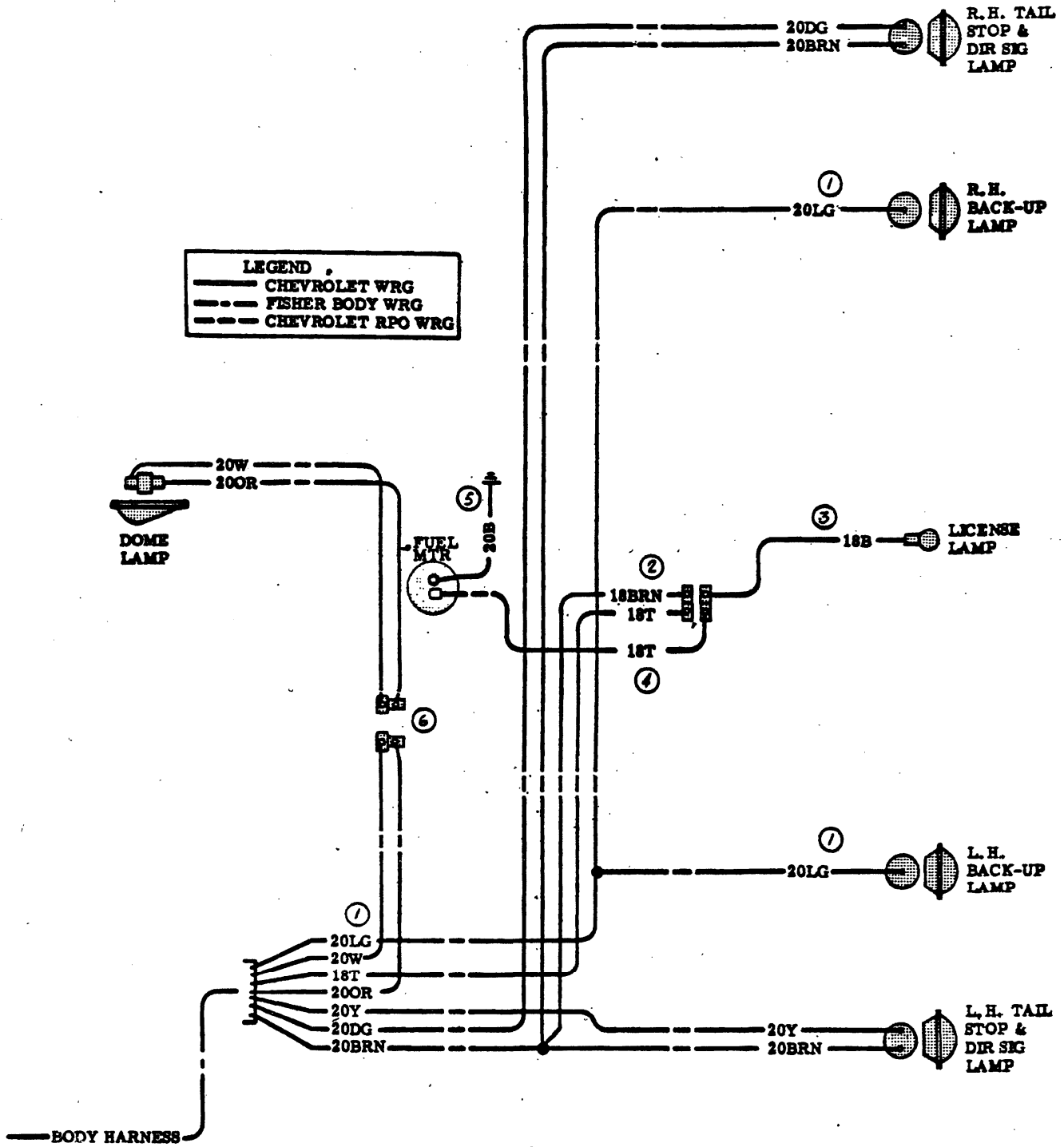
SHEET X



CHEVROLET MOTOR DIVISION, GMC				UPC	DATE	SYM	REVISION RECORD	AUTH.	DR	CK
WIRING DIAGRAM-INSTRUMENT PANEL				12	1-15-66	1	REDRAWN & REDESIGNED			EK/DP
12000				D3						
DWG PREL 12-27	R/V	REF: Prel. D2	L-							
DATE REL 3-1		L-721/3	L-							
				SECRET						



LEGEND
 — CHEVROLET WRG
 - - - FISHER BODY WRG
 - - - CHEVROLET RPO WRG



CHEVROLET MOTOR DIVISION, GMC				UPC	DATE	SYM	REVISION RECORD	AUTH	DR	CK
WIRING DIAGRAM-BODY & REAR END LIGHTING				12	7-15-66	1	WAS 20 DG (3 PLACES)	-	EK	
						2	18 BRN CALLOUT ADDED			
12000				D4		3	18 B CALLOUT ADD. & DWG. REV.			
						4	18 T CALLOUT ADDED			
DWG PREL 12-29 R.V. REF: Prel. D3 L- L- DATE REL 3-1 L-79463 L- L-				SHEET X		5	20 B CALLOUT ADD. & DWG. REV.			
						6	CONNECTOR ADDED			DP