



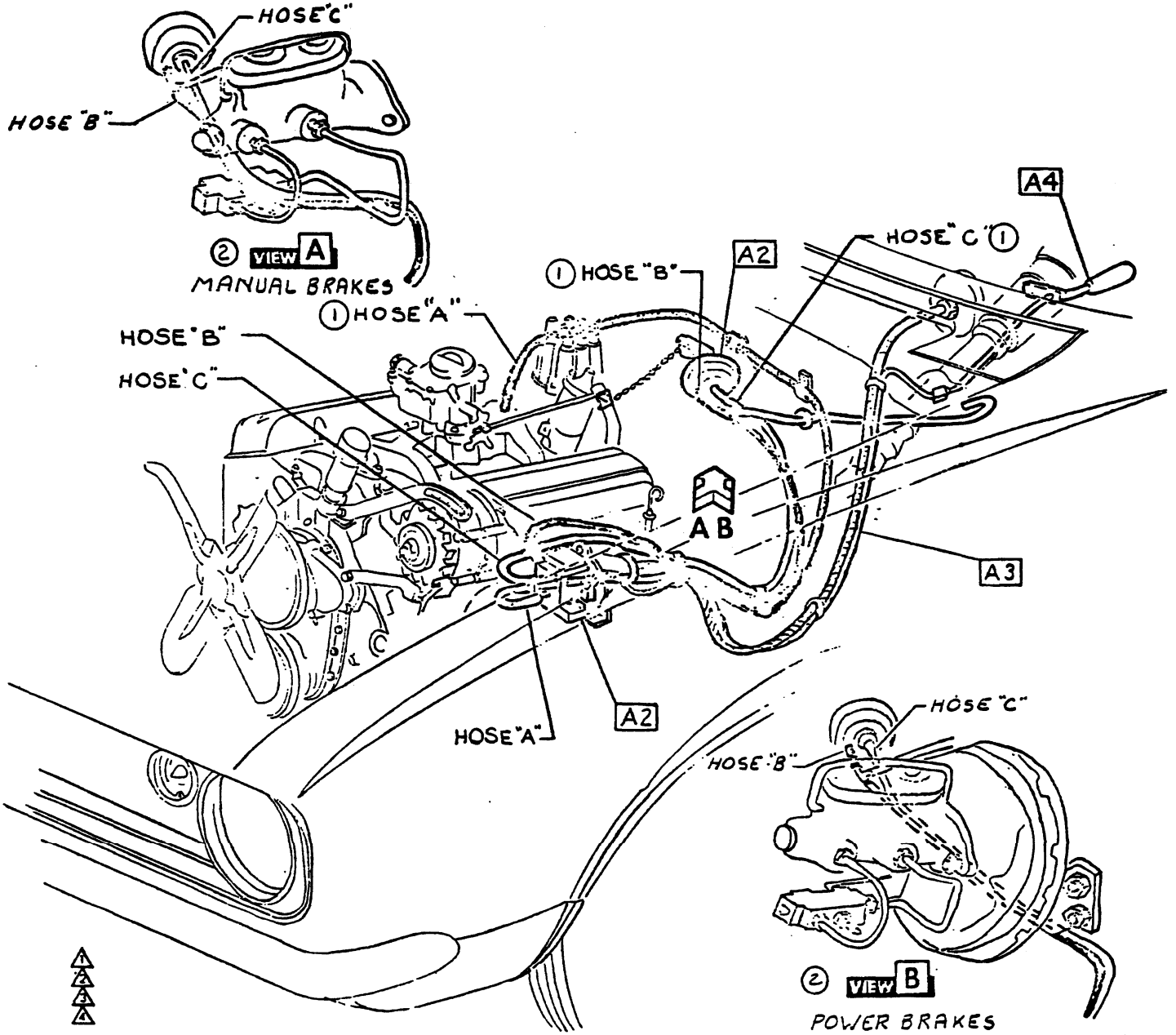
CHEVROLET

ASSEMBLY INSTRUCTIONS

3891775 "F" CAR 12000 SERIES

SHEET	TITLE
A1	CONTENTS
A2	SERVO, REGULATOR & BRACKET

SHEET	TITLE
A3	HOSES & WIRING
A4	RELEASE & ENGAGEMENT SWITCH
A5	VACUUM RELEASE SWITCH & HOSE

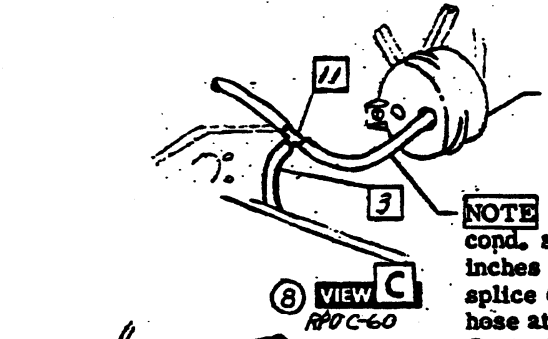


CHEVROLET MOTOR DIVISION, GM CORP. SPEED CRUISE CONTROL-CONTENTS		UPC K30	DATE 5-64 12-5-66	FINISH NO 3 1 2	AUTH. BR CK BIG-0 RC/2 53-... RE 2
12000 7-8 ENGINE WITH AUTO TRANS		A1			
DWG 4-19	RC	REF: Prel.	L-81078	L-	L-
DATE REL 9-20	2F	L-	L-	L-	L-

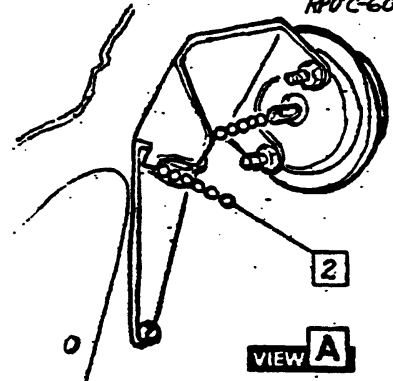
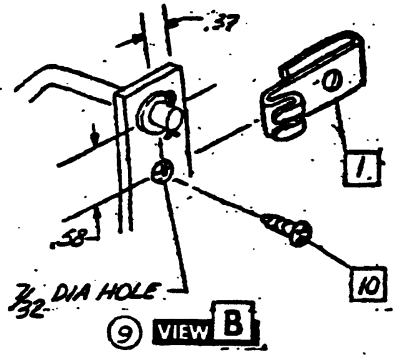


- ① 3919006 CLIP
- ② 3901773 CHAIN
- ③ 3899795 HOSE
- ④ 4778650 STRAP
- ⑤ 3868702 GROMMET

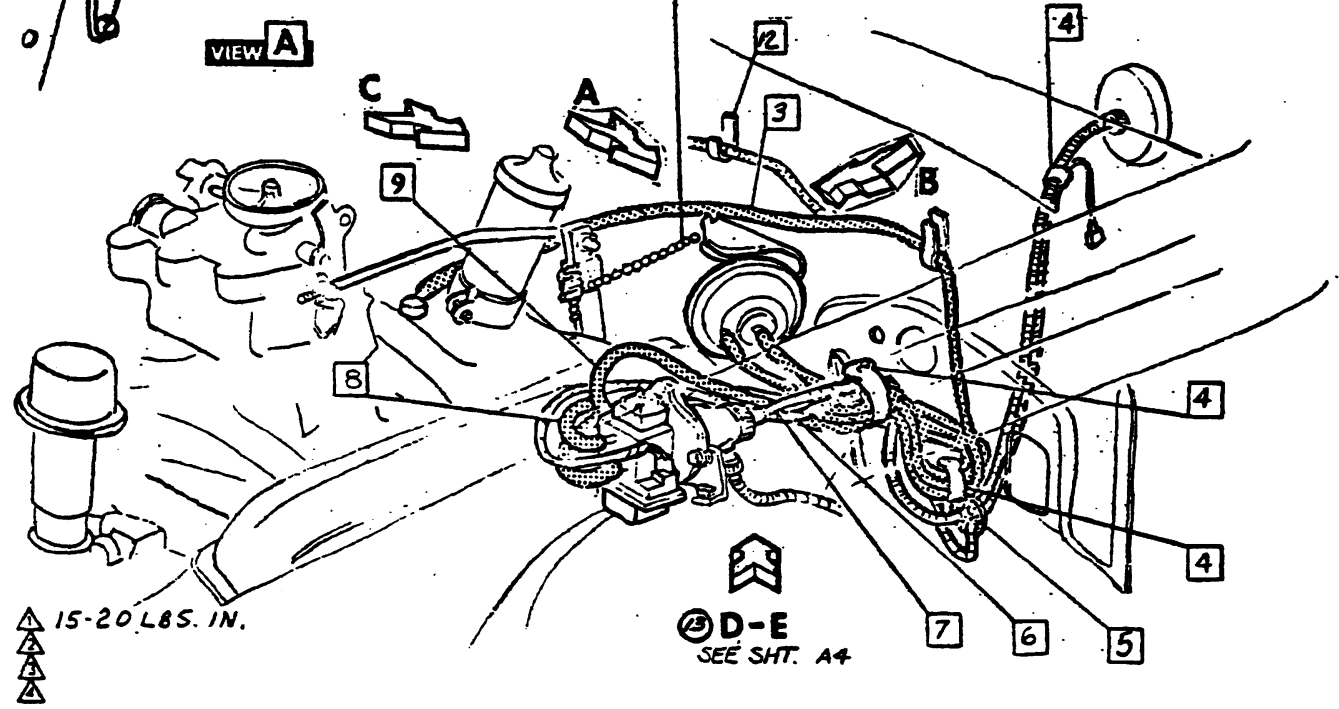
- ⑥ 6290647 HARNESS
- ⑦ 3919007 SHAFT
- ⑧ 3909561 HOSE
- ⑨ 3851532 HOSE
- ⑩ 9418359 SCREW
- ⑪ 3866067 TEE
- ⑫ 3772324 CLIP - RPO-J50



NOTE With air cond. cut air cond. supply hose approx. 8 inches from reservoir can and splice Cruise Control supply hose at this point. Cut Cruise Control vacuum supply hose to a length of 27 inches.



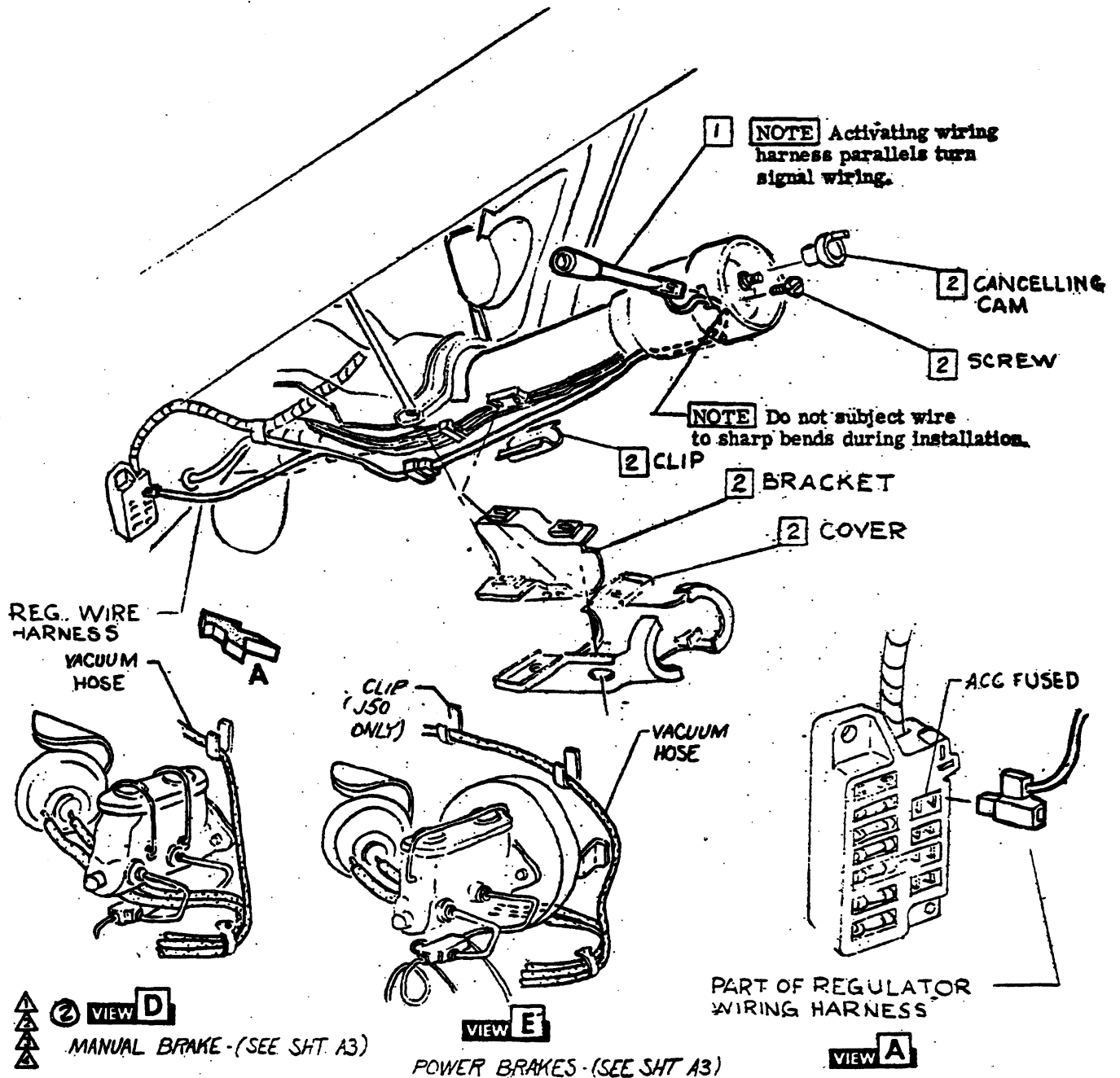
NOTE With carburetor at idle position, (choke completely off). Attach ball chain to servo & clip allow (1) ball slack in chain (between pulley & clip). Trim excess chain to within 3 balls of clip.



• CHEVROLET MOTOR DIVISION, GMC •				UPC	DATE	SYM	REVISION RECORD	AUTH.	DR	CK
TITLE HOSES & WIRING				K 30	4-6-67	B	VIEW C ADDED	83373	RA	
						9	VIEW B REVISED			
M O D 12000 V-8 ENGINE WITH AUTO TRANS				A 3		10	WAS 390186 CLIP			
						11	WAS 3901775 SHAFT			
DWG 4-19 RC REF: Prel. L-81906L DATE RCL 4-20 DP L- L- L-				SHEET 12	5-4-67	12	ITEM 10, 11 & TORQUE ADDED			CI
						13	VIEW'S "D" & "E" ADDED	83402	RT	
						14	ITEM 12 ADDED			CI

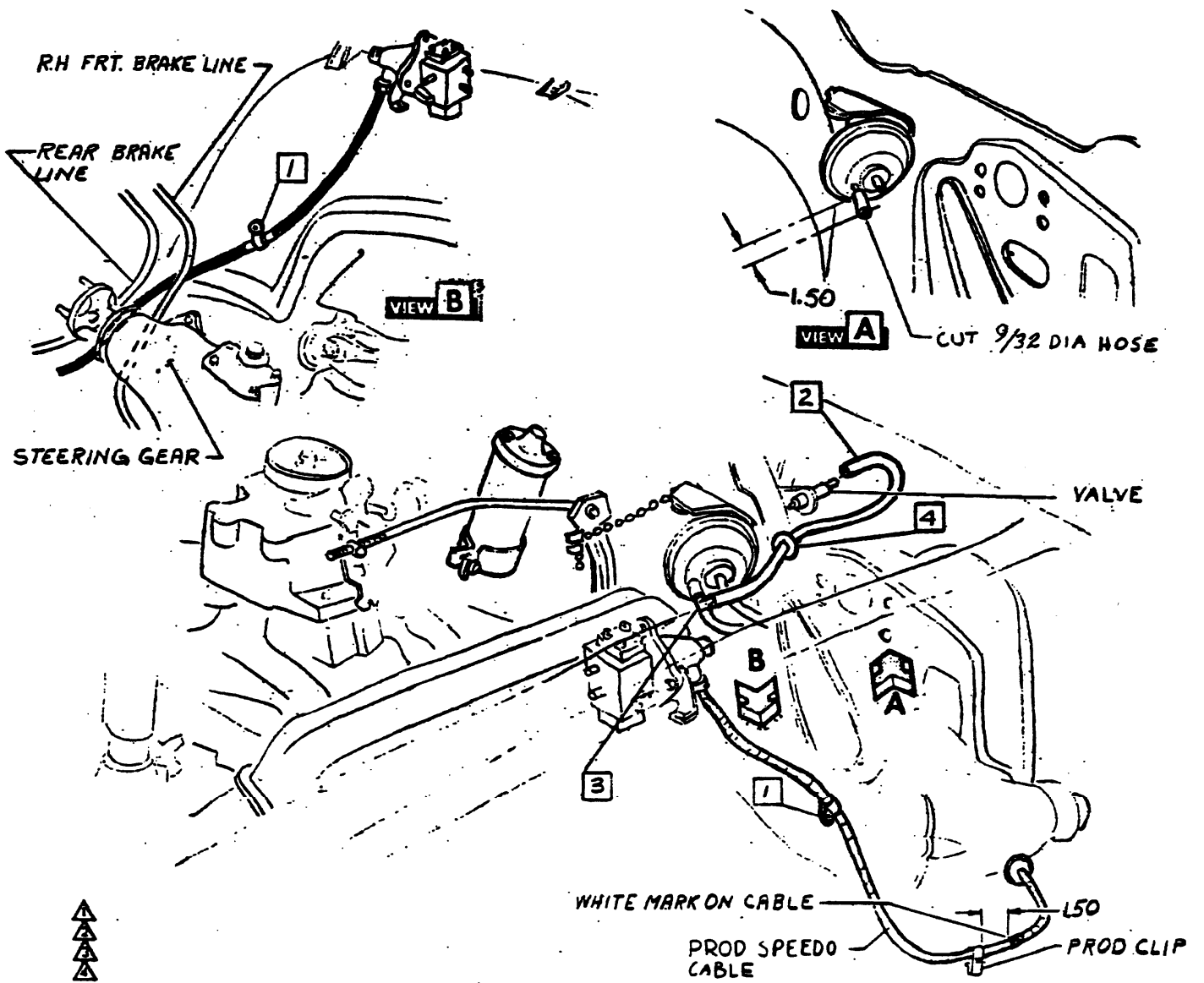


- 1 6465211 LEVER & SWITCH ASM
- 2 PROD PART



CHEVROLET MOTOR DIVISION, GMC		UPC	DATE	SYN	REVISION RECORD	AUTH	DR	CK
TITLE	SPEED CRUISE CONTROL ACTIVATING LEVER & SWITCH ASM.		K 30	5-1-67	1	REDRAWN & REDESIGNED	72171	RC/DF
				5-9-67	2	VIEWS "D" & "E" ADDED		33002 RT/ET
MOD	12000 V-8 ENGINE WITH AUTO TRANS.		A 4					
DWG	4-19	RC REF: Prel. A 4 L-81906 L-						
DATE	8-4		X SHEET					

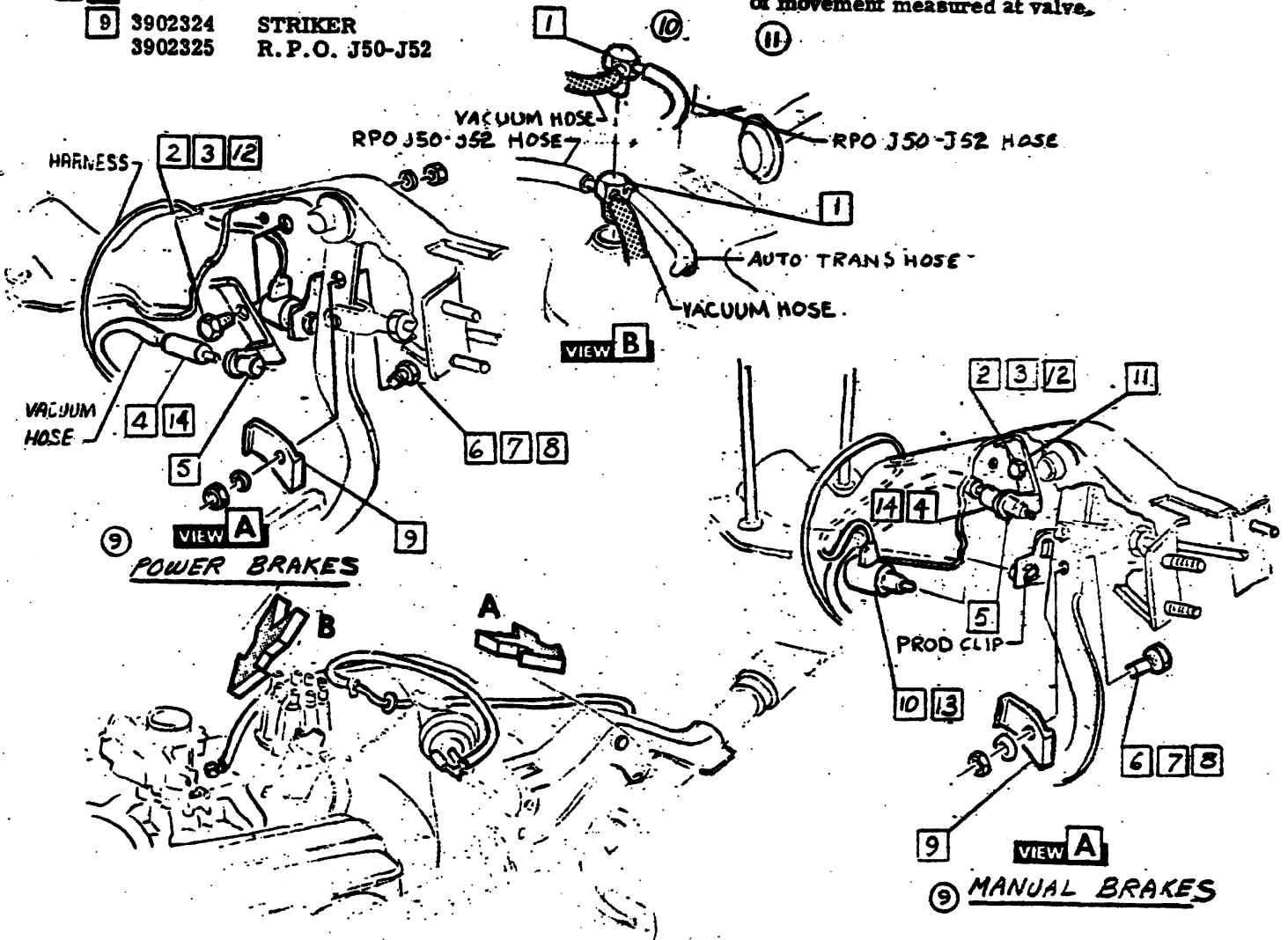
- 1 3830786 CLIP
- 2 3858841 HOSE
- 3 3866067 TEE
- ⑦ 4 3792008 GROMMET



• CHEVROLET MOTOR DIVISION, GMC •				UPC	DATE	SYN	REVISION RECORD	AUTH.	DR	CK
VACUUM RELEASE SWITCH, HOSES & SPEEDOMETER SHAFTS				K 30	12-5-66	6	REDRAWN & REDESIGNED	B3	22	DF
					5-4-67	7	ITEM 4 ADDED	B5	11	DF
12000 V-8 ENGINE AUTO TRANS				A 5						
DWG 4-20	RC	REF: Prel.	L- 81906 L-							
DATE REL 4-22	DF	L-	L- L-	SHEET						

- 1 3891524 CONNECTOR
3905374 R.P.O. J50-J52
- 2 100121 BOLT
- 3 103320 L. WASHER
- 4 6465213 VALVE
- 5 1361699 CLIP
- 6 106325 BOLT
- 7 103320 P. WASHER
- ⚠ 8 102684 NUT
- 9 3902324 STRIKER
3902325 R.P.O. J50-J52

- 10 9787705 SWITCH
3902264 OPT
- 11 3902326 BRACKET
- ⚠ 12 102634 NUT
- 13 After build up of details & brake pedal adjustment (Sect. 5) adjust switch item 10 so that plunger clears pedal arm at .25 in. of movement, measured at switch.
- 14 After brake adjustment, adjust valve item 4 so that plunger clears striker at .30 in. of movement measured at valve.



⚠ 110-140 LBS IN
⚠
⚠
⚠

⚠ **NOTE** Cruise Control system must be checked for engagement and disengagement with vehicle run at a speed of 35 MPH.

• CHEVROLET MOTOR DIVISION, GMC •				UPC	DATE	SYN	REVISION RECORD	AUTH.	DR.	CK.
SPEED CRUISE CONTROL SWITCHES & VACUUM FITTINGS				K'30	12-5-66	9	VIEW B REVISED	93--2	AG	
						10	ITEM 15 ADDED		DF	
12000 V-8 ENG WITH AUTO TRANS				A 6	5-4-67	11	ITEM 13 NOTE REMOVED	83002	6Y	
						12	"CRUISE" NOTE ADDED		CI	
DWG 4-22				RC	REF: Prel.	L- 81906	L-			
DATE REL 9-22				DF	L-	L-	L-			
				ⓧ SHEET						